



US00D873380S

(12) **United States Design Patent**
Judge

(10) **Patent No.:** **US D873,380 S**

(45) **Date of Patent:** **** Jan. 21, 2020**

(54) **FAUCET**

(71) Applicant: **DELTA FAUCET COMPANY,**
Indianapolis, IN (US)

(72) Inventor: **Jack William Judge,** Indianapolis, IN
(US)

(73) Assignee: **DELTA FAUCET COMPANY,**
Indianapolis, IN (US)

(**) Term: **15 Years**

(21) Appl. No.: **29/638,157**

(22) Filed: **Feb. 24, 2018**

(51) **LOC (12) Cl.** **23-01**

(52) **U.S. Cl.**
USPC **D23/238**

(58) **Field of Classification Search**
USPC D23/238, 241–243, 255, 257, 213, 226,
D23/249–250, 252, 254, 245;
D8/307–308

CPC F16K 31/60; F16K 31/602; F16K 31/605;
F16K 31/607; E03C 1/0405; E03C
2001/0415; E03C 1/0412; E03C 1/0409
See application file for complete search history.

(56) **References Cited**

U.S. PATENT DOCUMENTS

6,845,526 B2 * 1/2005 Malek E03C 1/0404
4/615
D698,903 S * 2/2014 Gilbert D23/249

D705,398 S * 5/2014 Flowers D23/238
D786,405 S * 5/2017 Schaubach D23/238
D822,170 S * 7/2018 Haug D23/238
D835,237 S * 12/2018 Ziemann D23/238
D849,202 S * 5/2019 Zhang D23/238
2004/0088786 A1 * 5/2004 Malek E03C 1/0409
4/677

* cited by examiner

Primary Examiner — Robert A Delehanty

(74) *Attorney, Agent, or Firm* — Edgar A. Zarins; Nirav
D. Parikh

(57) **CLAIM**

The ornamental design for a faucet, as shown and described.

DESCRIPTION

FIG. 1 is a front perspective view of a faucet showing my
new design;

FIG. 2 is a rear perspective view thereof;

FIG. 3 is a front elevational view thereof;

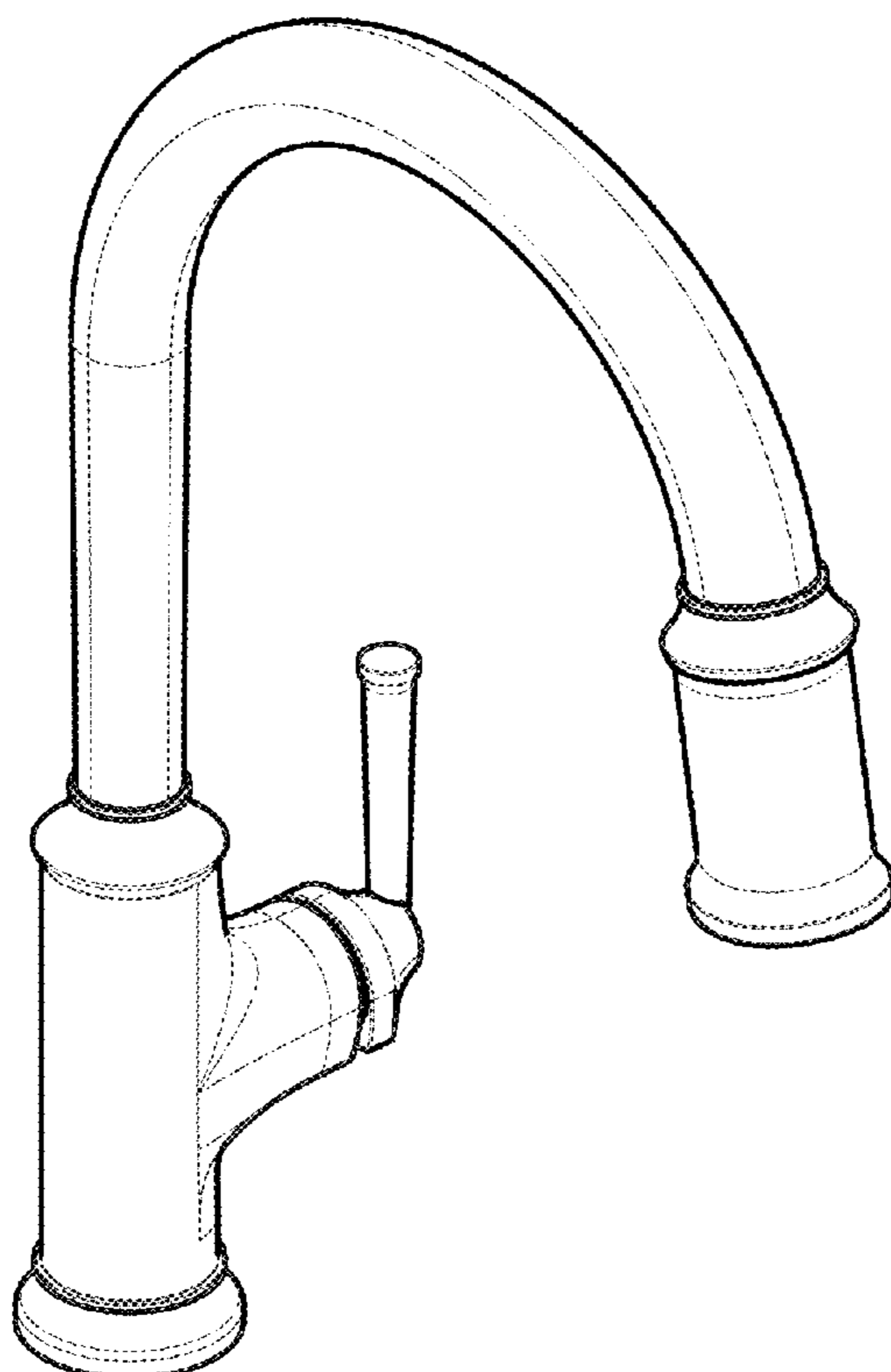
FIG. 4 is a left side view thereof;

FIG. 5 is a rear view thereof;

FIG. 6 is a right side view thereof; and,

FIG. 7 is a top plan view thereof.

1 Claim, 4 Drawing Sheets



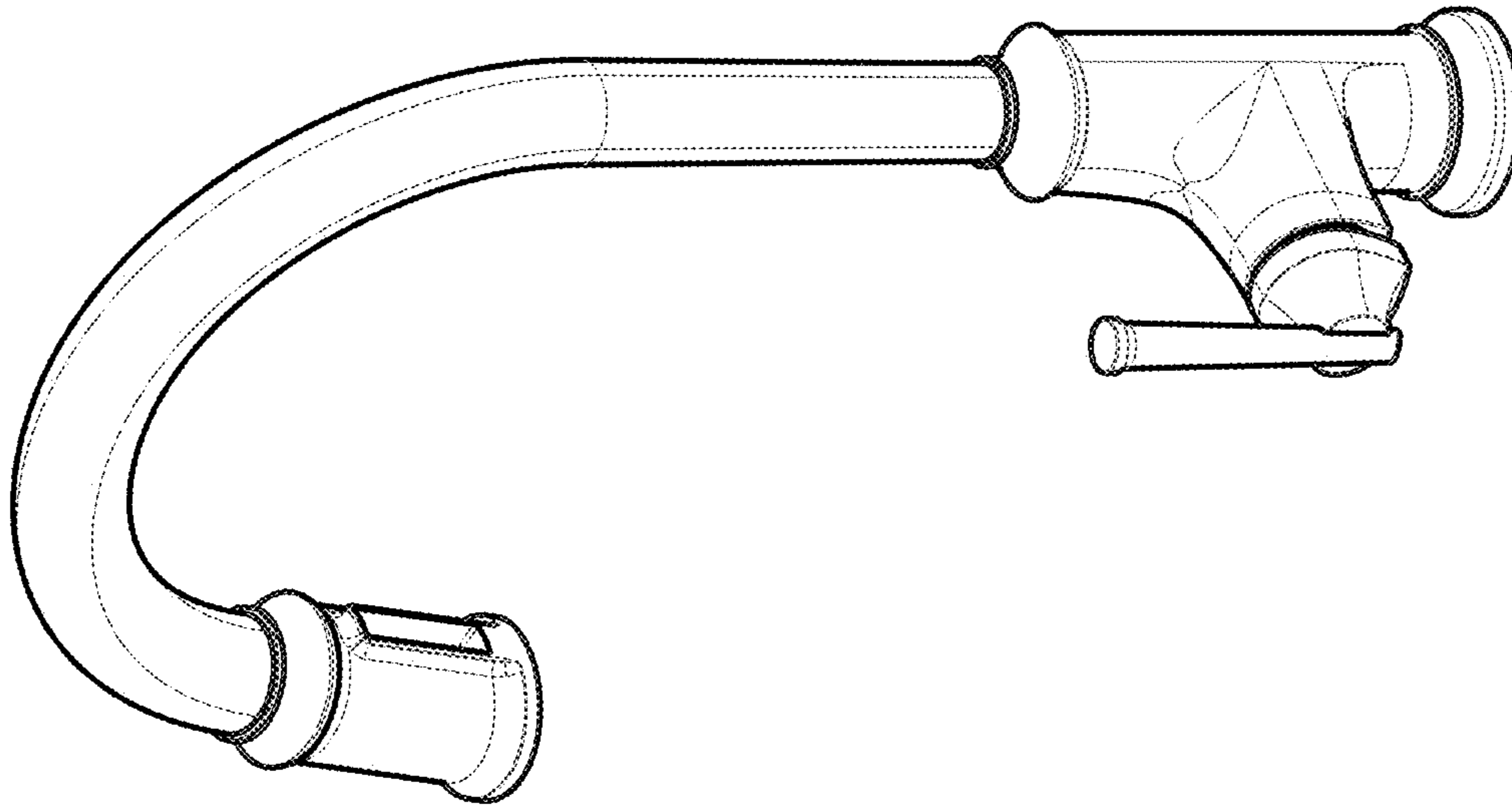


Fig. 2

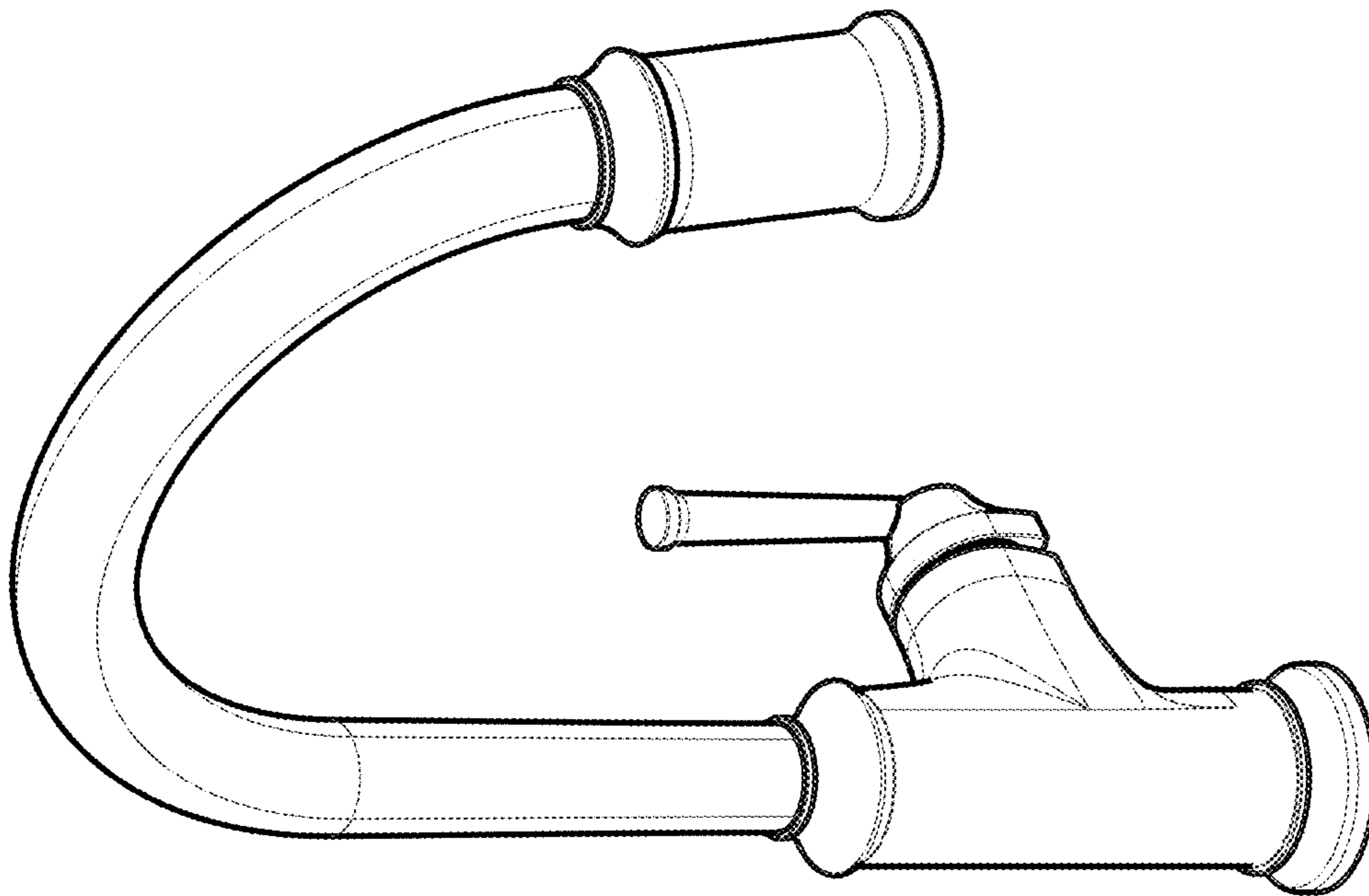


Fig. 1

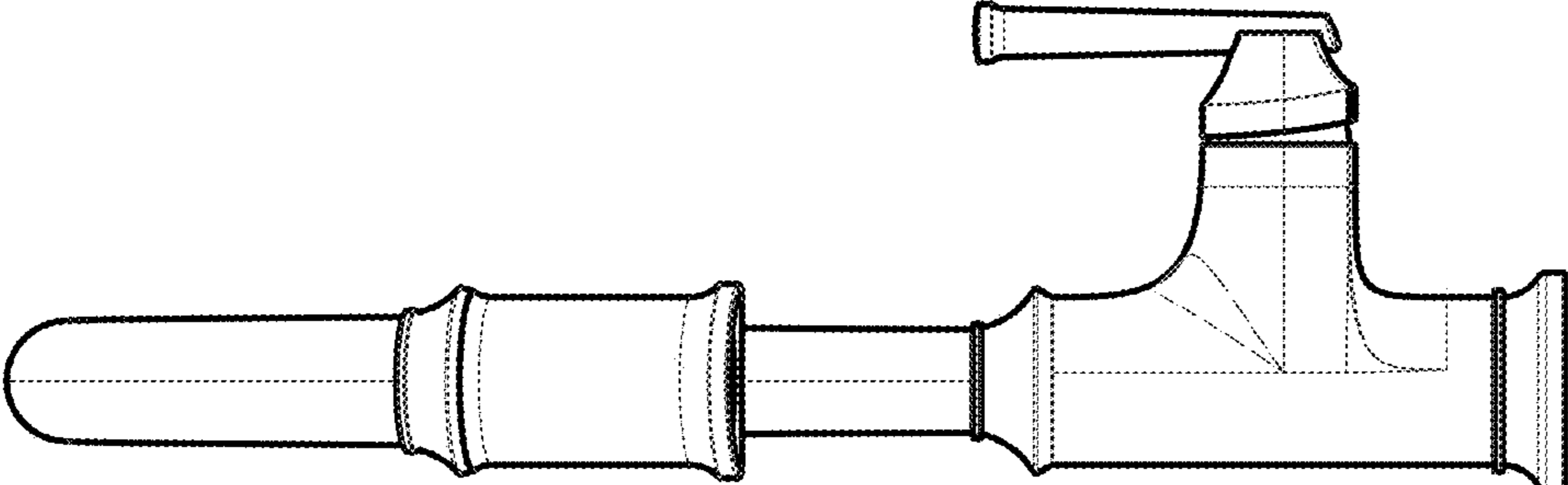


Fig. 3

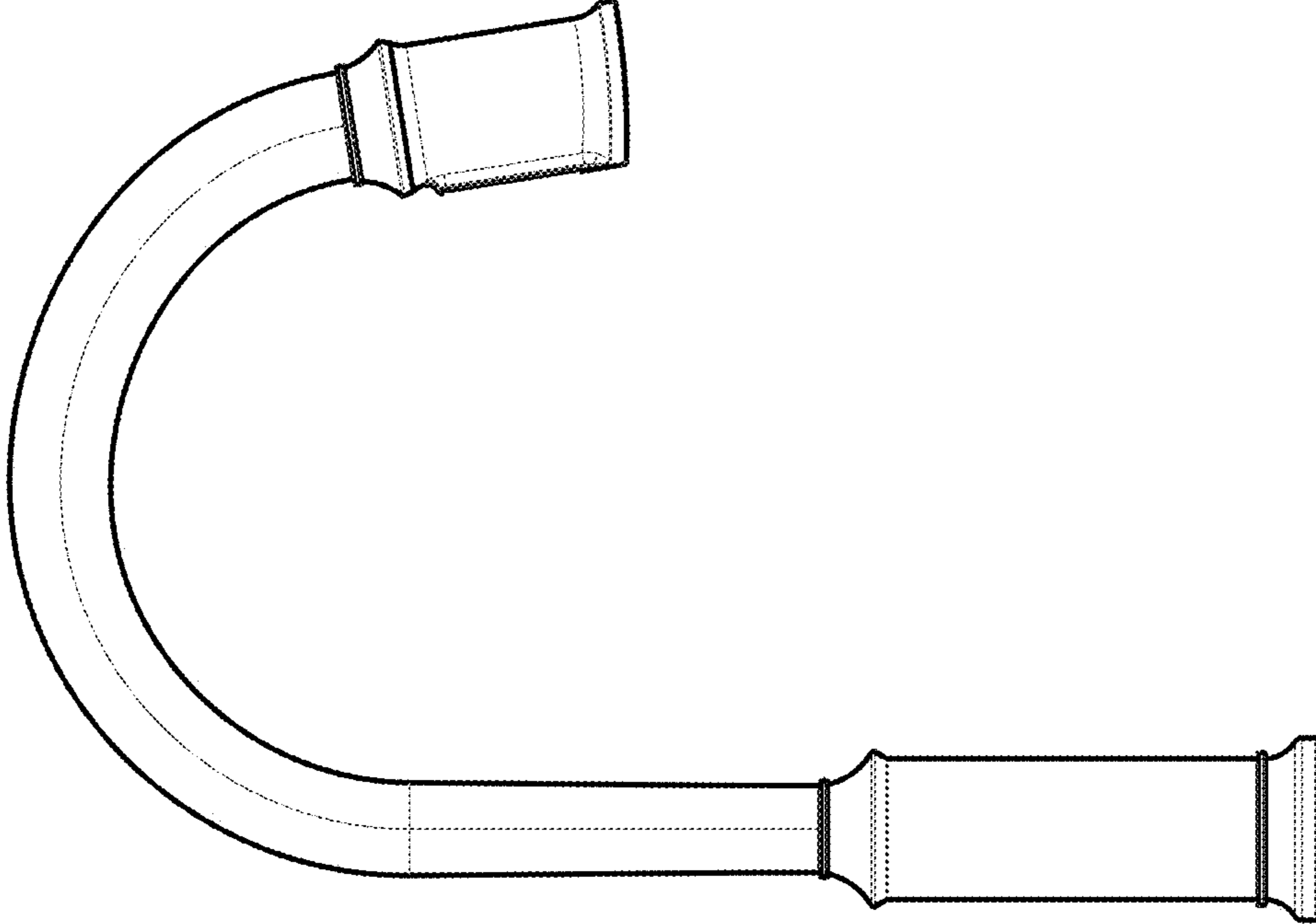


Fig. 6

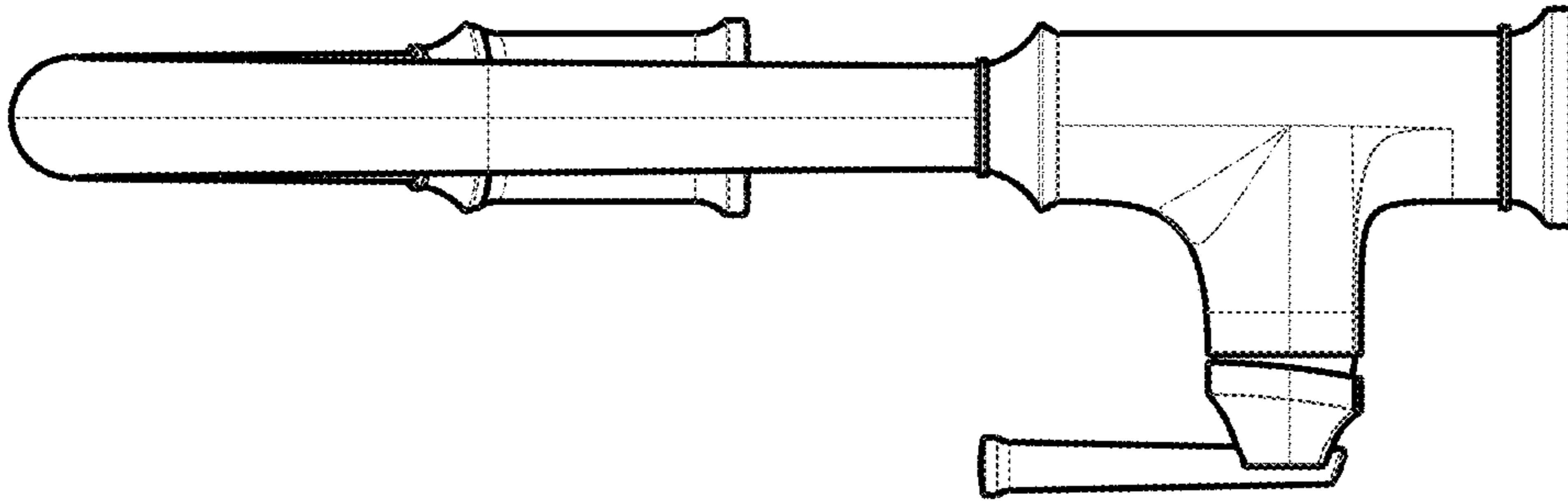


Fig. 5

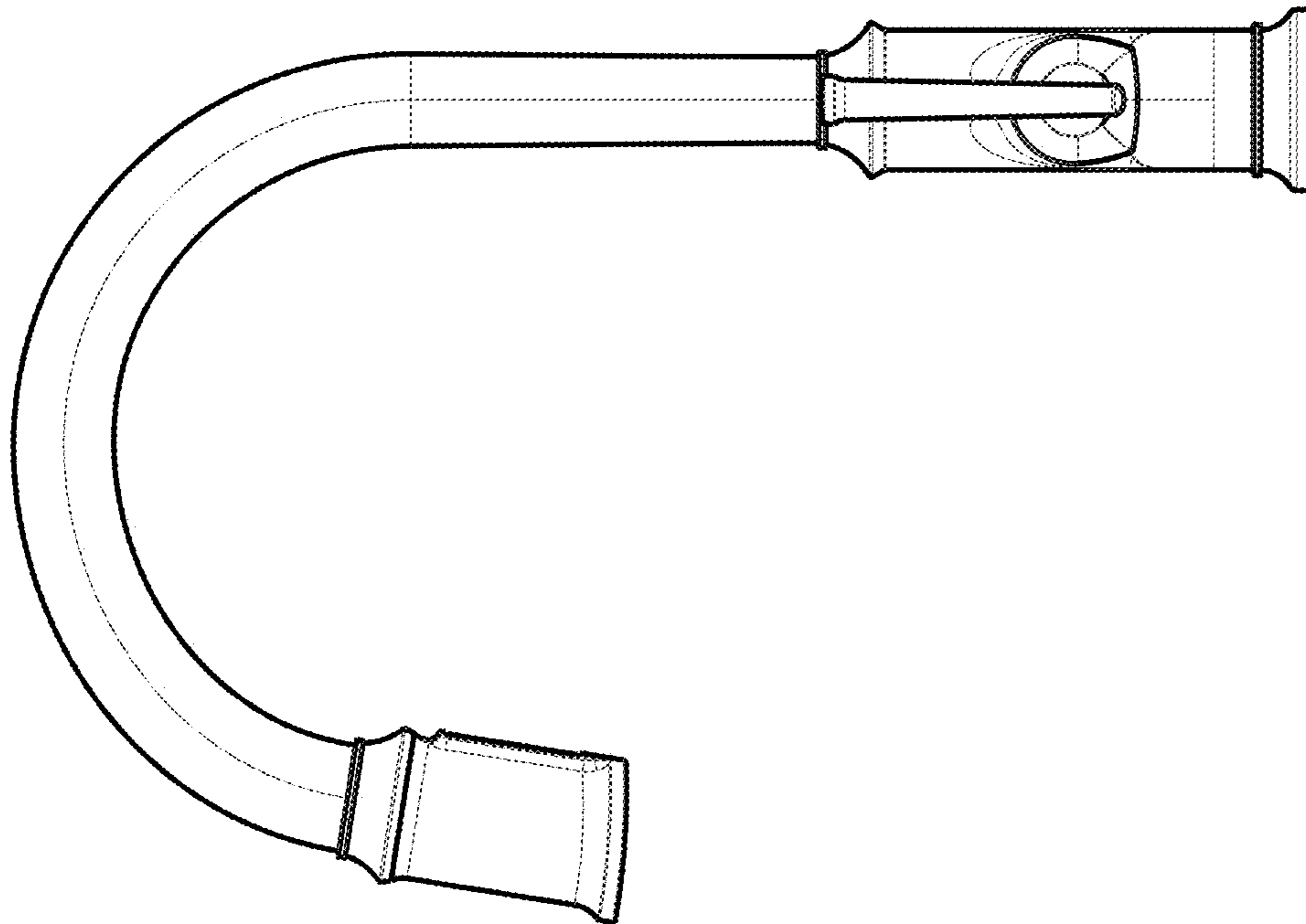


Fig. 4

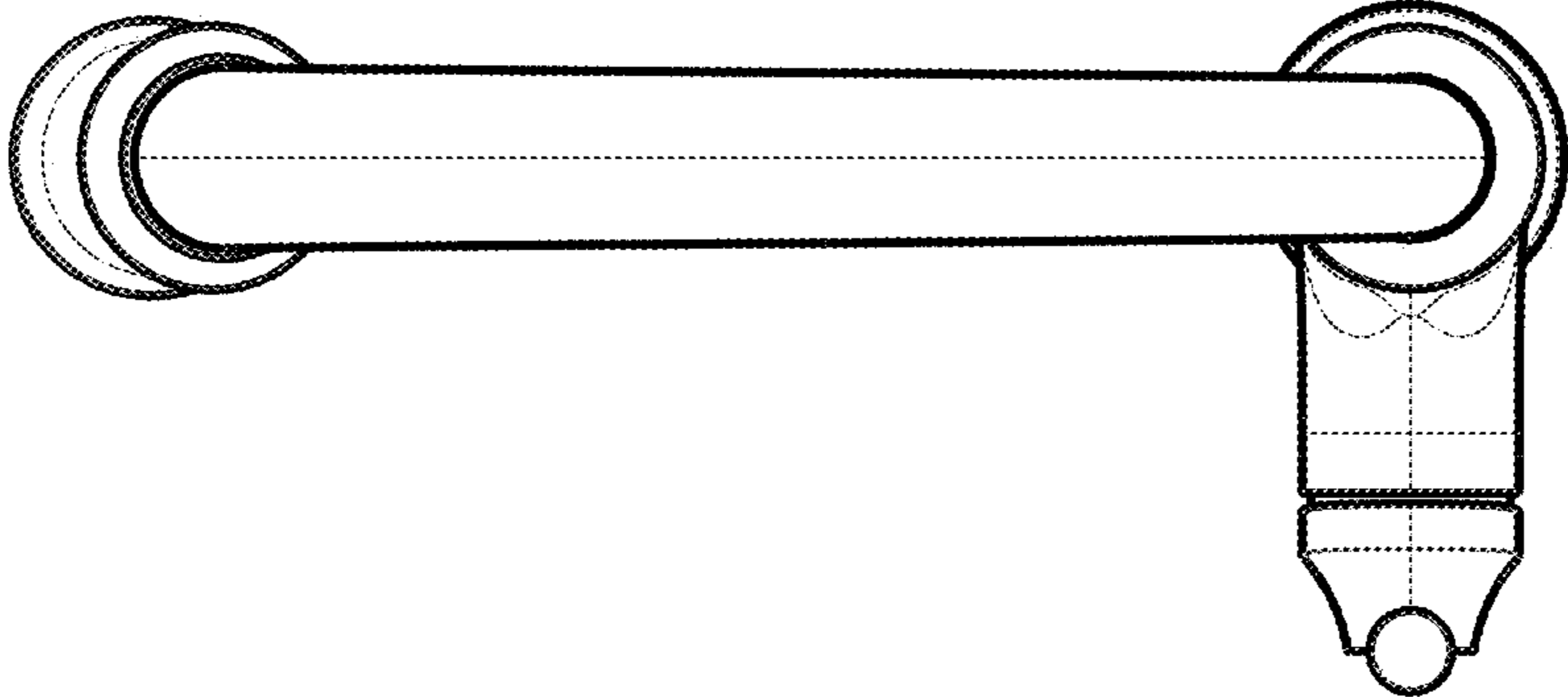


Fig. 7