



US00D873378S

(12) **United States Design Patent**
Meyer et al.

(10) **Patent No.:** **US D873,378 S**
(45) **Date of Patent:** **** Jan. 21, 2020**

(54) **PART OF A HIGH PRESSURE CLEANER**

(71) Applicant: **Alfred Kaercher SE & Co. KG**,
Winnenden (DE)

(72) Inventors: **Michael Meyer**, Schwaikheim (DE);
Bastian Natho, Marbach am Neckar
(DE)

(73) Assignee: **Alfred Kaercher SE & Co. KG**,
Winnenden (DE)

(**) Term: **15 Years**

(21) Appl. No.: **29/664,848**

(22) Filed: **Sep. 28, 2018**

(30) **Foreign Application Priority Data**

Apr. 6, 2018 (WO) 7019301

(51) **LOC (12) Cl.** **23-01**

(52) **U.S. Cl.**
USPC **D23/229**

(58) **Field of Classification Search**
USPC D32/31-33, 17; D23/223-226, 229, 266
See application file for complete search history.

(56) **References Cited**

U.S. PATENT DOCUMENTS

D292,133 S *	9/1987	Proctor	D15/13
D297,273 S *	8/1988	Proctor	D32/1
D310,405 S *	9/1990	Proctor	D23/223
D314,649 S *	2/1991	Campbell, Sr.	D23/223
D317,968 S *	7/1991	Tsai	D23/226

D372,072 S *	7/1996	Hutcherson	D23/223
D612,452 S *	3/2010	Nugent	D23/226
D617,416 S *	6/2010	Chen	D23/223
D649,309 S *	11/2011	Spann	D32/33
D691,709 S *	10/2013	Franzino	D23/266
D753,265 S *	4/2016	Burchard	D23/226
D787,027 S *	5/2017	Wildfang	D23/266
D837,952 S *	1/2019	Wildfang	D23/266
D856,476 S *	8/2019	Park	D23/226
D857,312 S *	8/2019	Chavana, Jr.	D32/17

OTHER PUBLICATIONS

Alfred Kaercher SE & Co. KG, photographs of pressure cleaner accessories, 1 page, 2017.

* cited by examiner

Primary Examiner — Ruth McInroy

(74) *Attorney, Agent, or Firm* — Lipsitz & McAllister, LLC

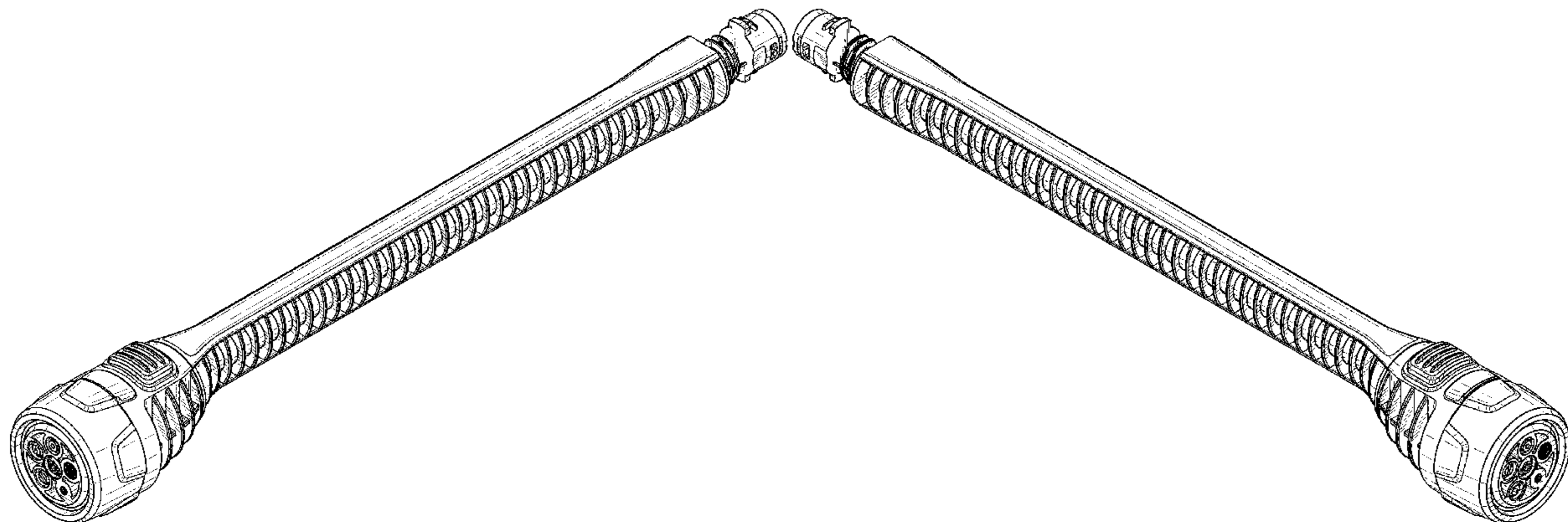
(57) **CLAIM**

The ornamental design for a part of a high pressure cleaner, as shown and described.

DESCRIPTION

FIG. 1 is a front, top and left side perspective view of a part of a high pressure cleaner showing the new design; FIG. 2 is a front, top and right side perspective view thereof; FIG. 3 is a top plan view thereof; FIG. 4 is a bottom plan view thereof; FIG. 5 is a left side elevational view thereof; FIG. 6 is a right side elevational view thereof; FIG. 7 is a front elevational view thereof; and, FIG. 8 is a rear elevational view thereof.

1 Claim, 7 Drawing Sheets



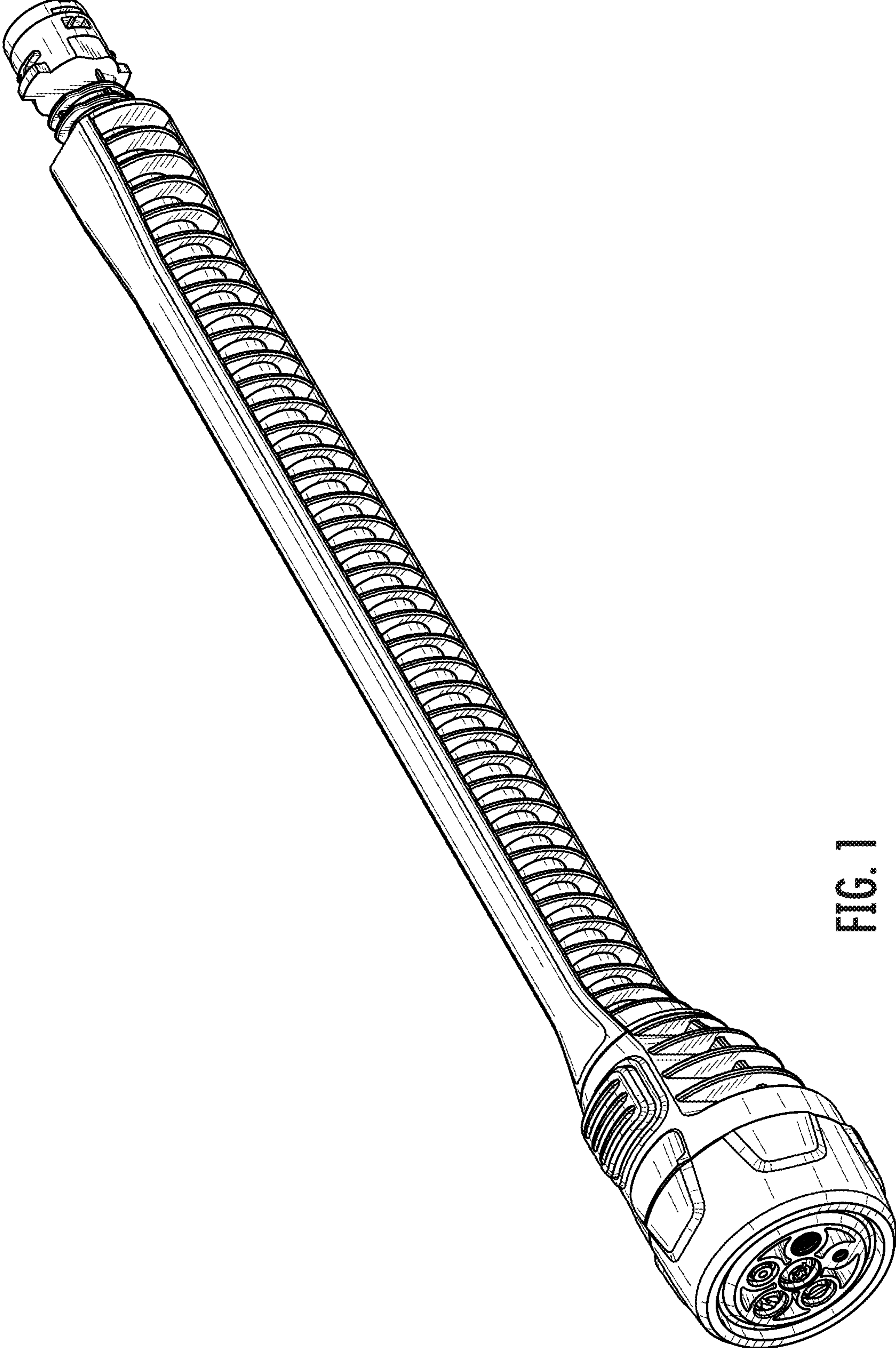


FIG. 1

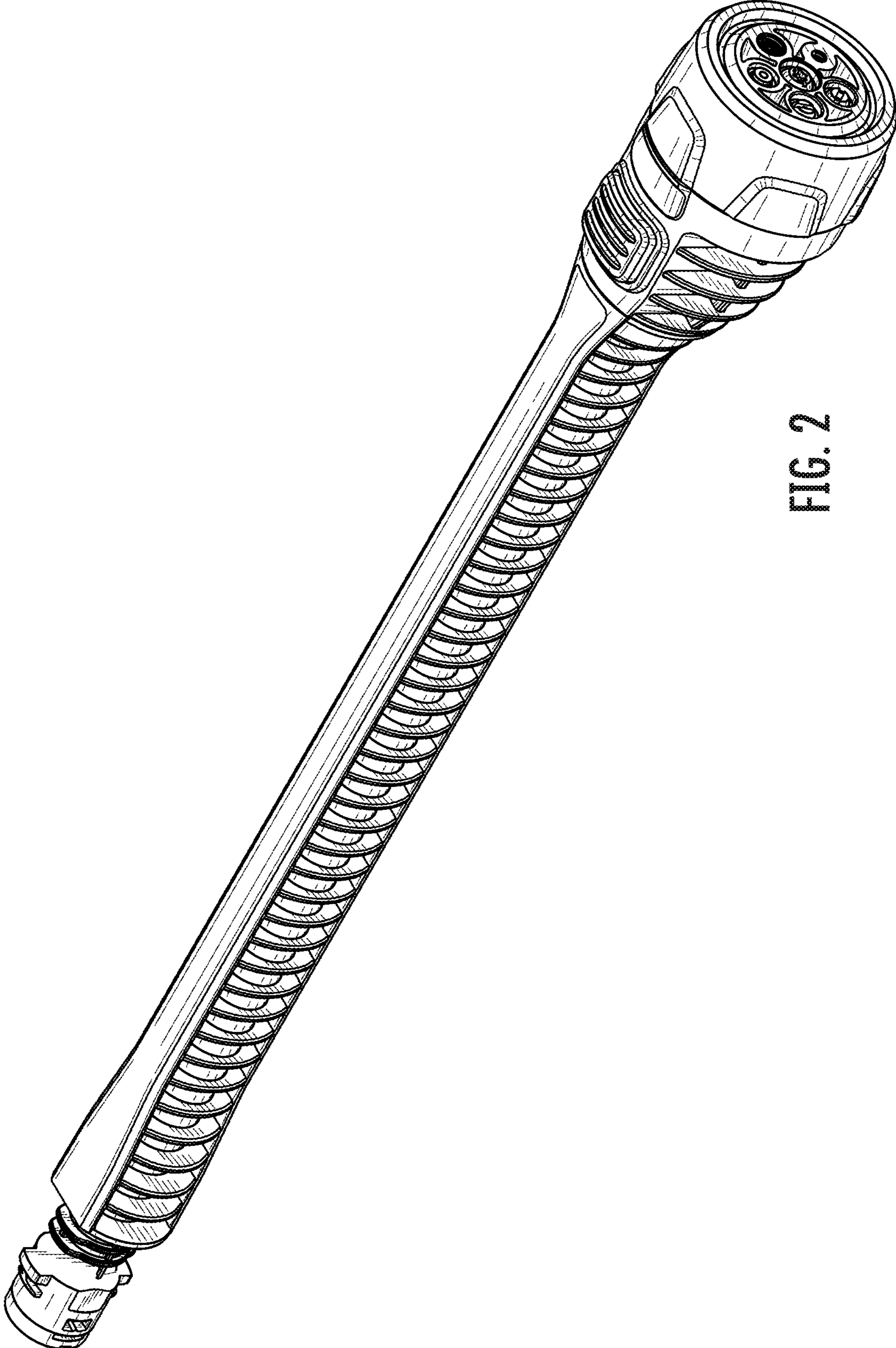


FIG. 2

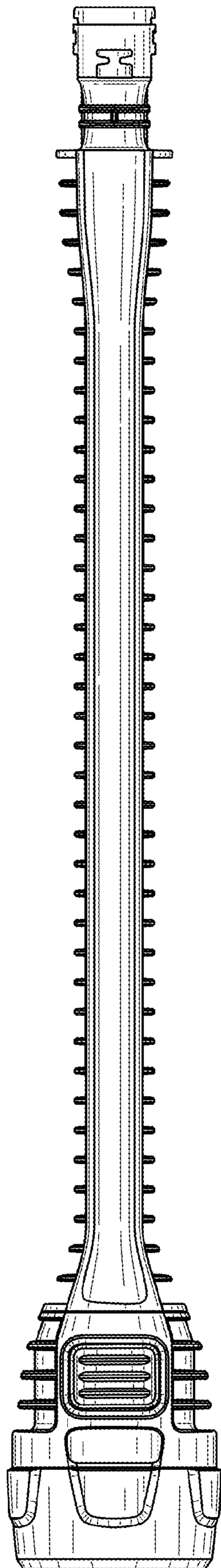


FIG. 3

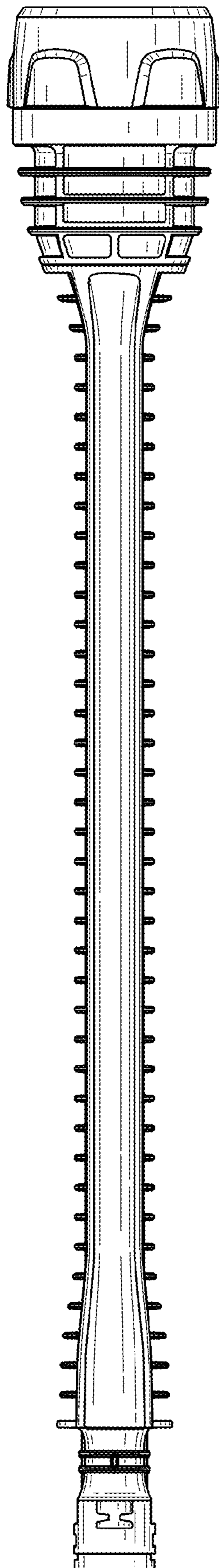


FIG. 4

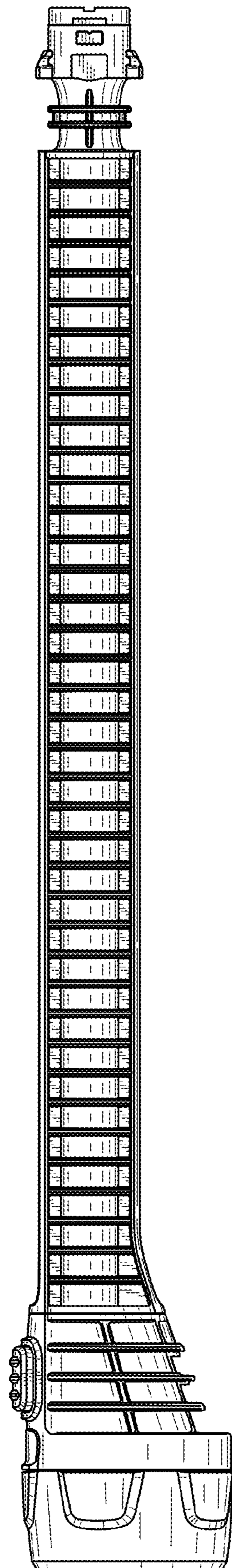


FIG. 5

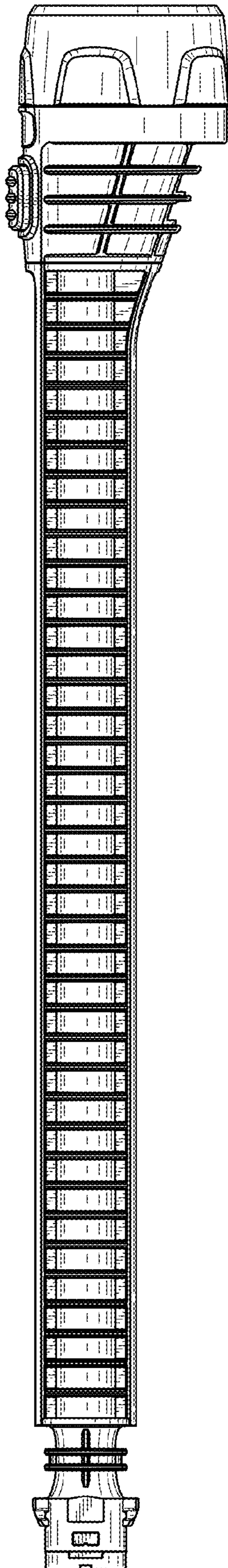


FIG. 6

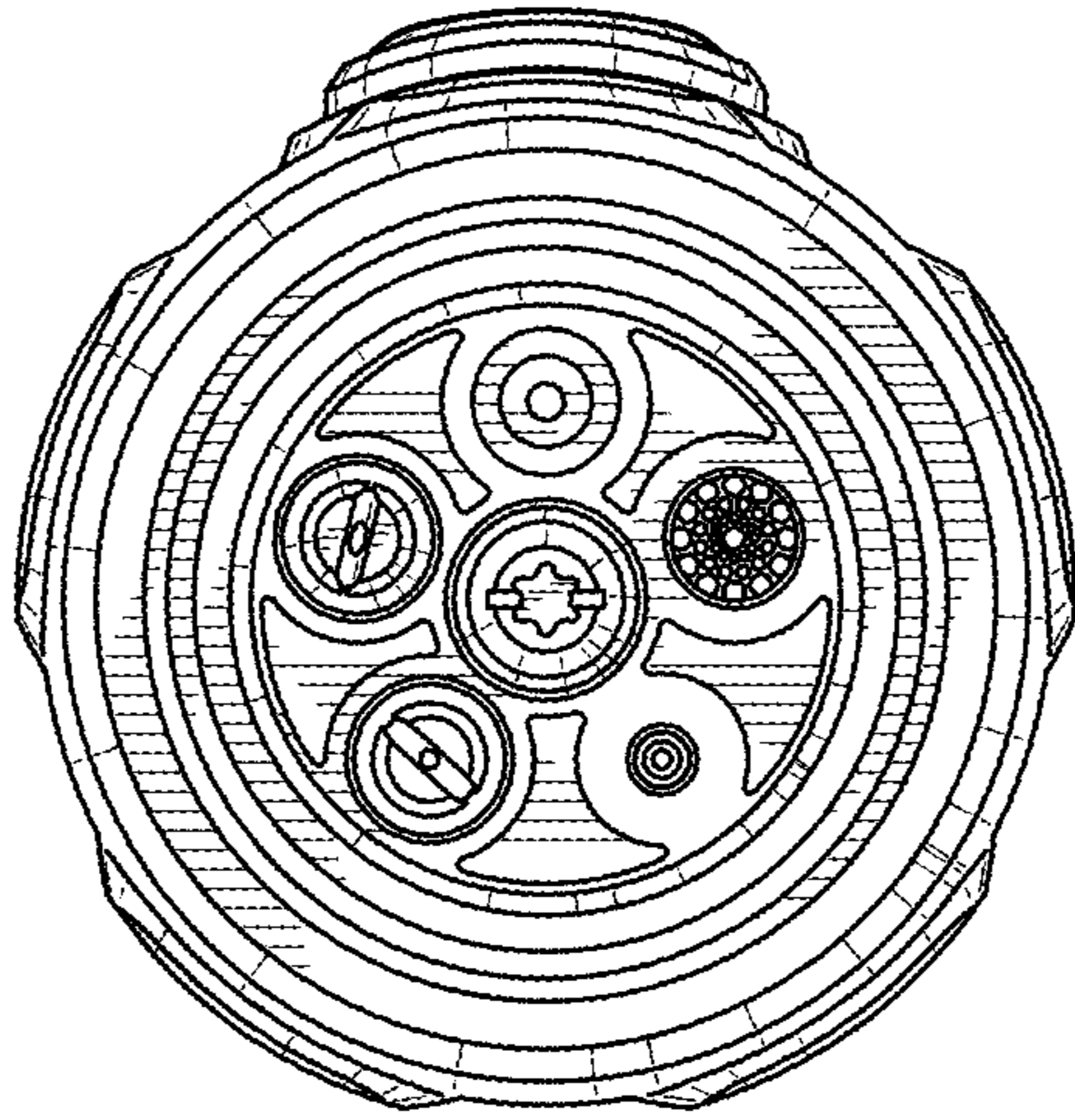


FIG. 7

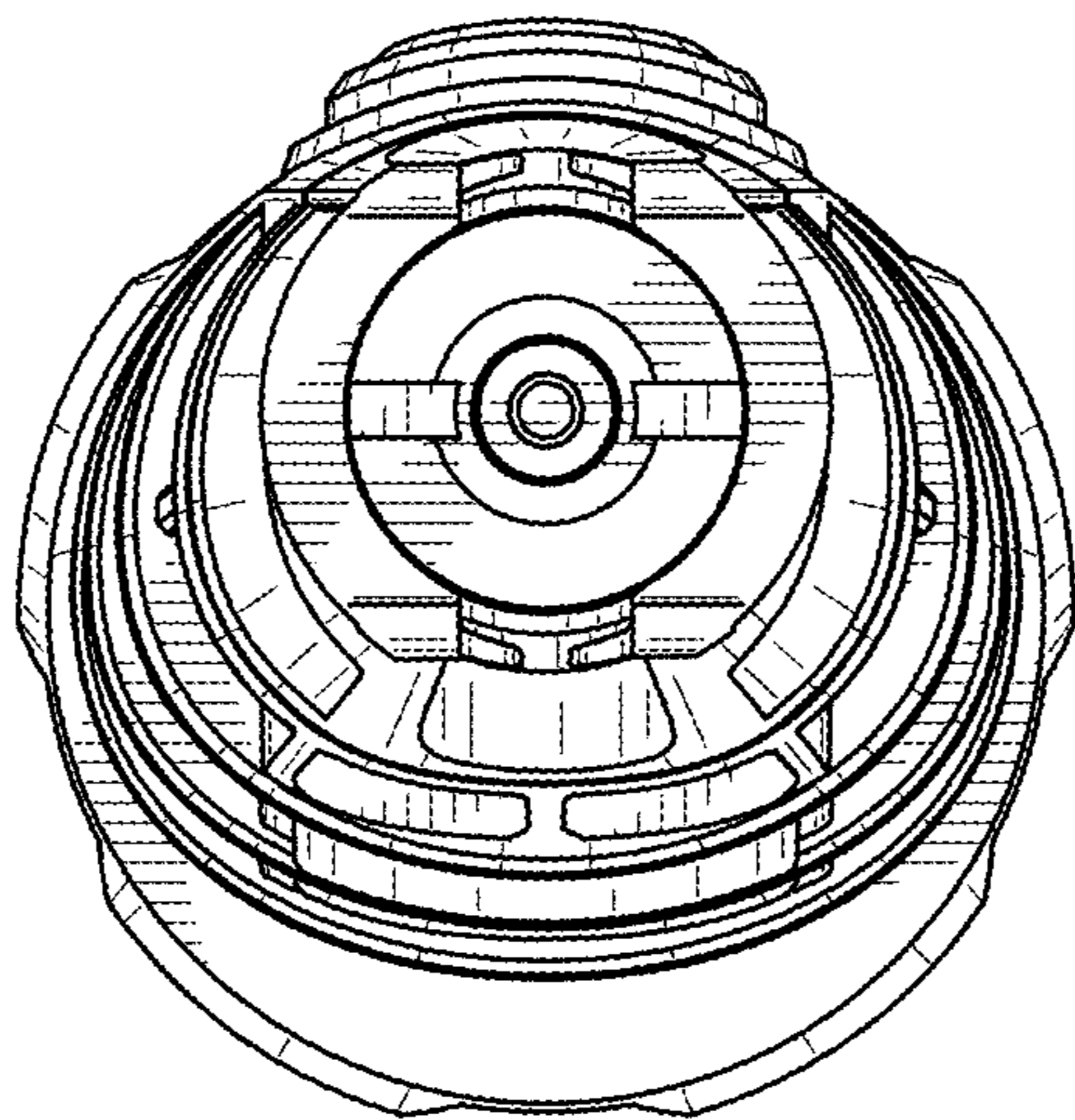


FIG. 8