

US00D873377S

(12) **United States Design Patent** (10) **Patent No.:** **US D873,377 S**  
**Qi** (45) **Date of Patent:** **\*\* Jan. 21, 2020**

(54) **FAUCET FILTER**  
(71) Applicant: **Yan Qi**, Shandong (CN)  
(72) Inventor: **Yan Qi**, Shandong (CN)  
(\*\*) Term: **15 Years**  
(21) Appl. No.: **29/645,647**  
(22) Filed: **Apr. 27, 2018**  
(51) **LOC (12) Cl.** ..... **23-01**  
(52) **U.S. Cl.**  
USPC ..... **D23/209**  
(58) **Field of Classification Search**  
USPC ..... D23/207, 209, 228  
CPC ..... B05B 1/18; C02F 1/003; B01D 24/10;  
B01D 35/30; B01D 35/153; B01D 27/08;  
B01D 2201/30; B01D 2201/29  
See application file for complete search history.

D806,831 S \* 1/2018 Zou ..... D23/209  
D824,441 S \* 7/2018 Fenton ..... D15/144.2  
10,011,499 B2 \* 7/2018 Mayo ..... C02F 1/003  
D827,768 S \* 9/2018 Brill ..... D23/209  
D827,770 S \* 9/2018 Brill ..... D23/209  
D831,789 S \* 10/2018 Dani ..... B01D 27/08  
D23/209  
D846,069 S \* 4/2019 Zou ..... D23/209  
D857,158 S \* 8/2019 Zou ..... D23/209

\* cited by examiner

*Primary Examiner* — Shannon W Morgan  
*Assistant Examiner* — Keith J Wilson  
(74) *Attorney, Agent, or Firm* — Muncy, Geissler, Olds & Lowe, P.C.

(57) **CLAIM**

The ornamental design for a faucet filter, as shown and described.

(56) **References Cited**

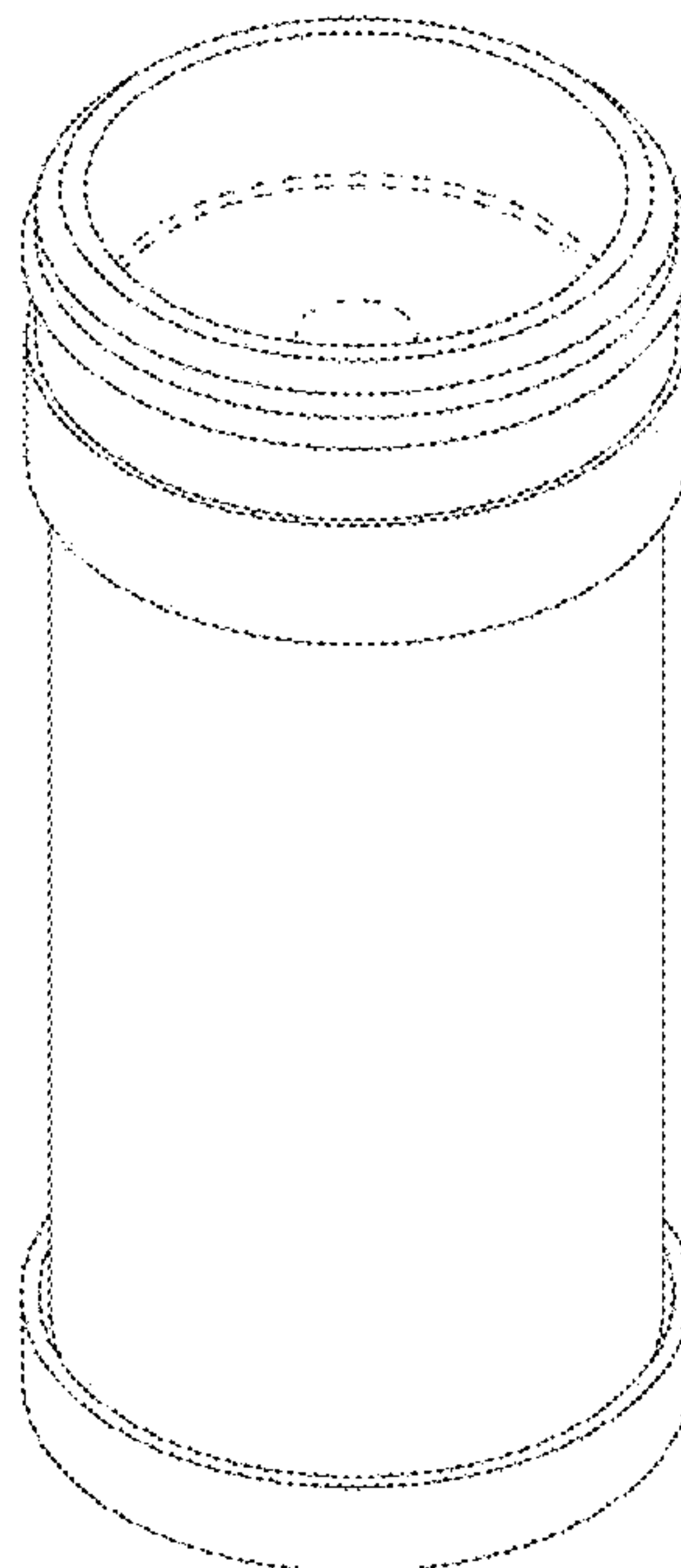
U.S. PATENT DOCUMENTS

D296,460 S \* 6/1988 Clack ..... D23/209  
D313,643 S \* 1/1991 Luzenberg, Jr. .... D23/209  
D390,910 S \* 2/1998 Sundquist ..... D23/209  
D400,005 S \* 10/1998 Wolff ..... D7/612  
D435,084 S \* 12/2000 Northen ..... D23/209  
D487,594 S \* 3/2004 Alscher ..... D24/224  
D543,559 S \* 5/2007 Wheeler ..... D15/82  
D547,823 S \* 7/2007 Kennedy ..... D23/207  
D581,048 S \* 11/2008 Kawamura ..... D24/130  
D592,732 S \* 5/2009 Sneddon ..... D23/228  
D674,463 S \* 1/2013 Wilder ..... D23/209  
D735,293 S \* 7/2015 Schwartz ..... D23/209  
D792,553 S \* 7/2017 Hierro ..... D23/209  
D794,751 S \* 8/2017 Zou ..... D23/209  
D798,998 S \* 10/2017 Zou ..... D23/209  
D803,349 S \* 11/2017 Zou ..... D23/209

**DESCRIPTION**

FIG. 1 is a Front elevational view of a faucet filter showing my new design;  
FIG. 2 is a Rear elevational view thereof;  
FIG. 3 is a Left side view thereof;  
FIG. 4 is a Right side view thereof;  
FIG. 5 is a Top plan view thereof;  
FIG. 6 is a Bottom plan view thereof, and,  
FIG. 7 is a Perspective view thereof.  
The broken lines shown in FIGS. 5 and 7 inside the faucet filter represent portions of a faucet filter and forms no part of the claimed design. The area immediately outside of the broken line forms part of the claimed design.

**1 Claim, 7 Drawing Sheets**



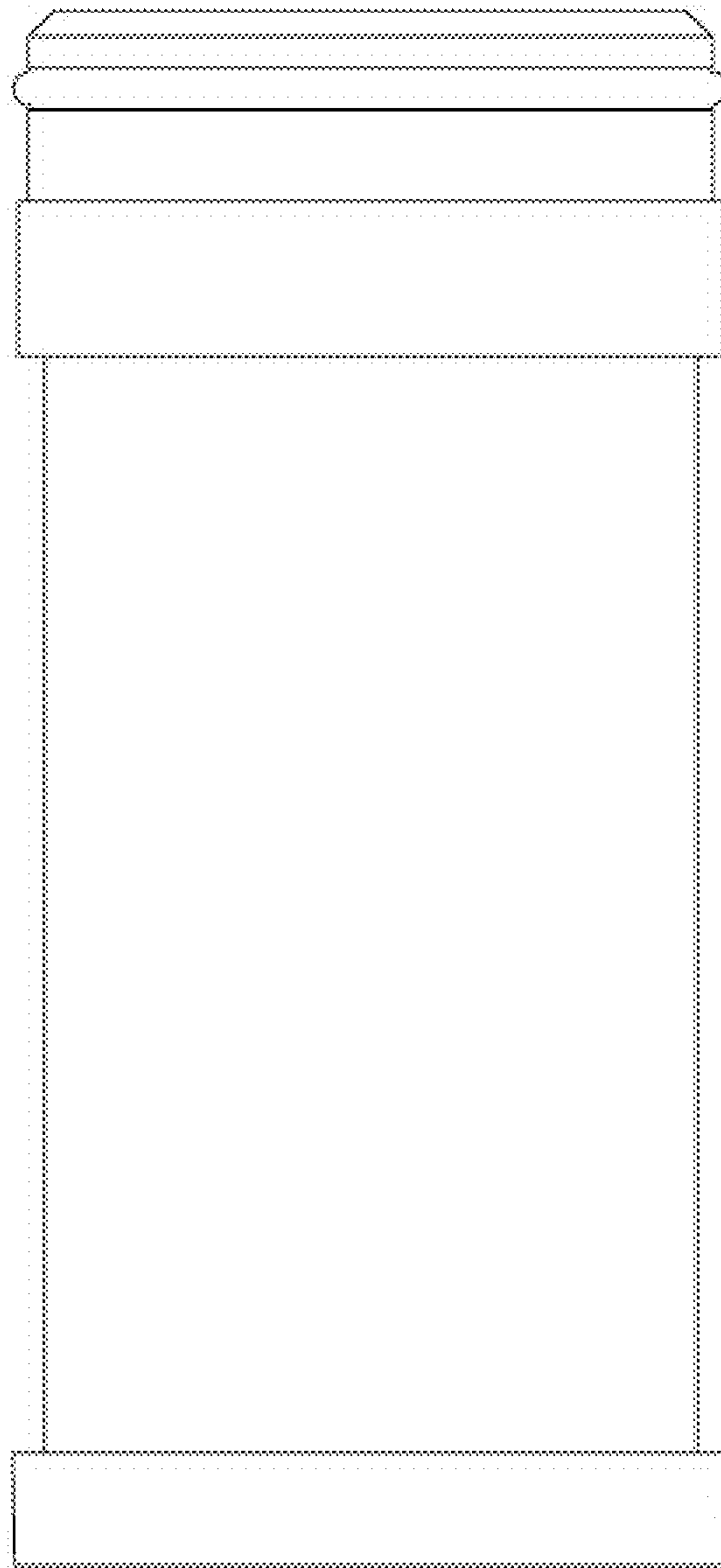


FIG. 1

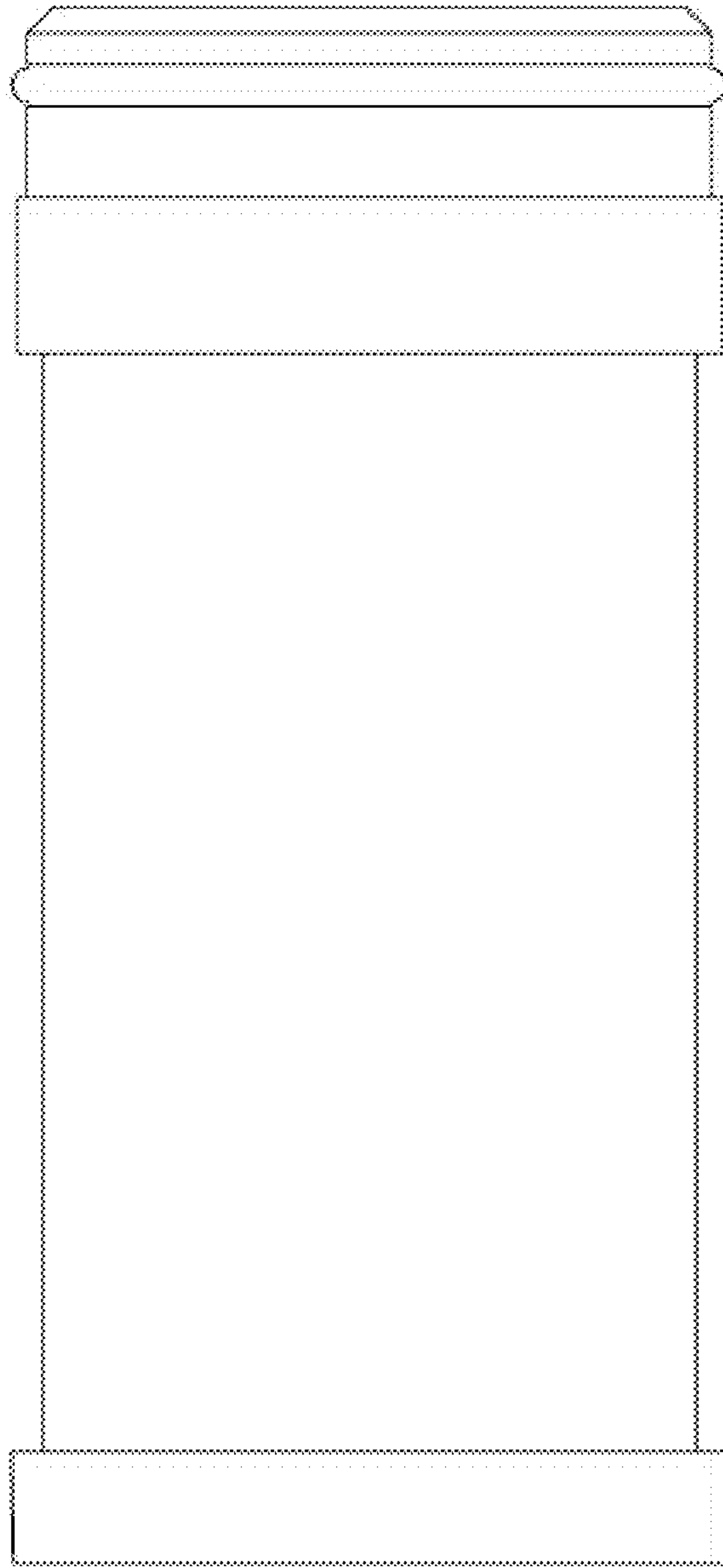


FIG. 2

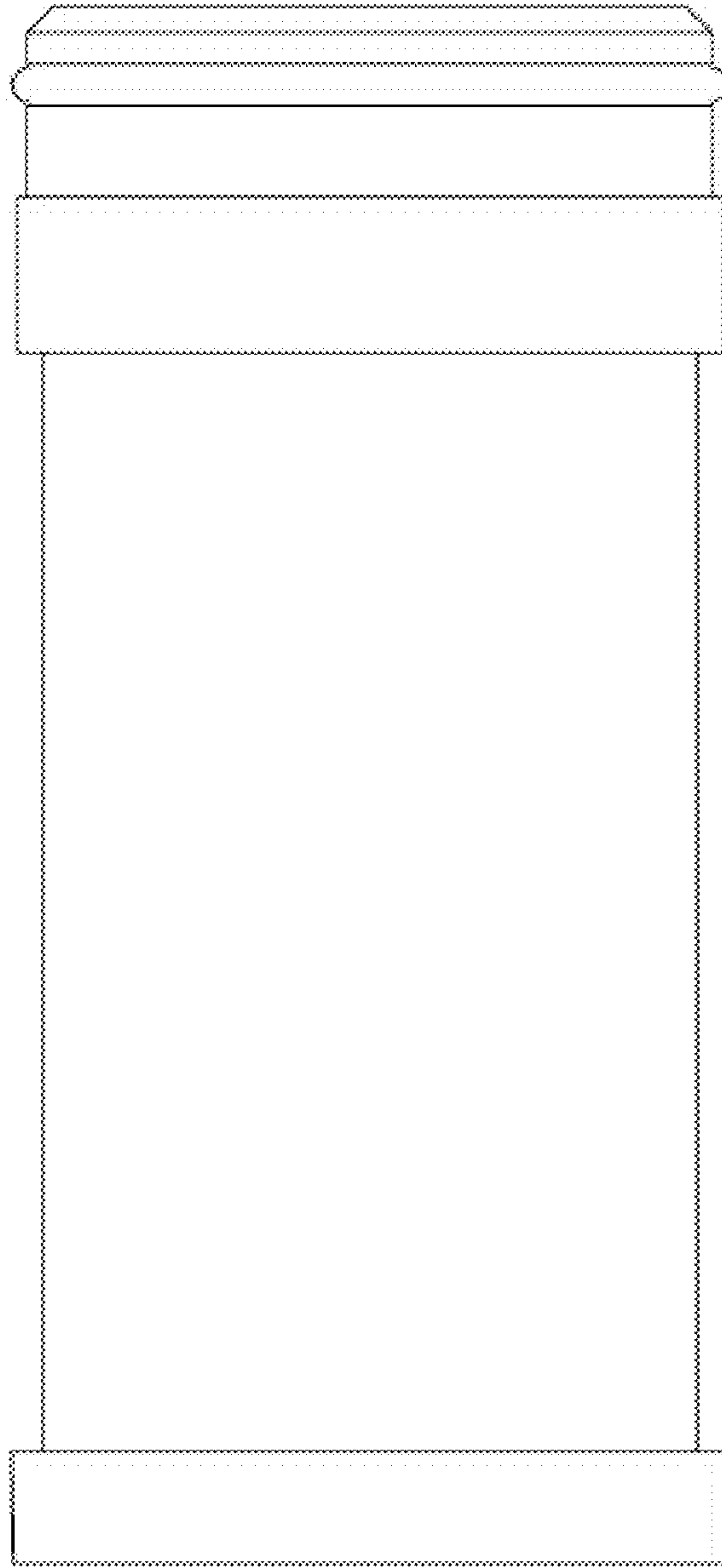


FIG. 3

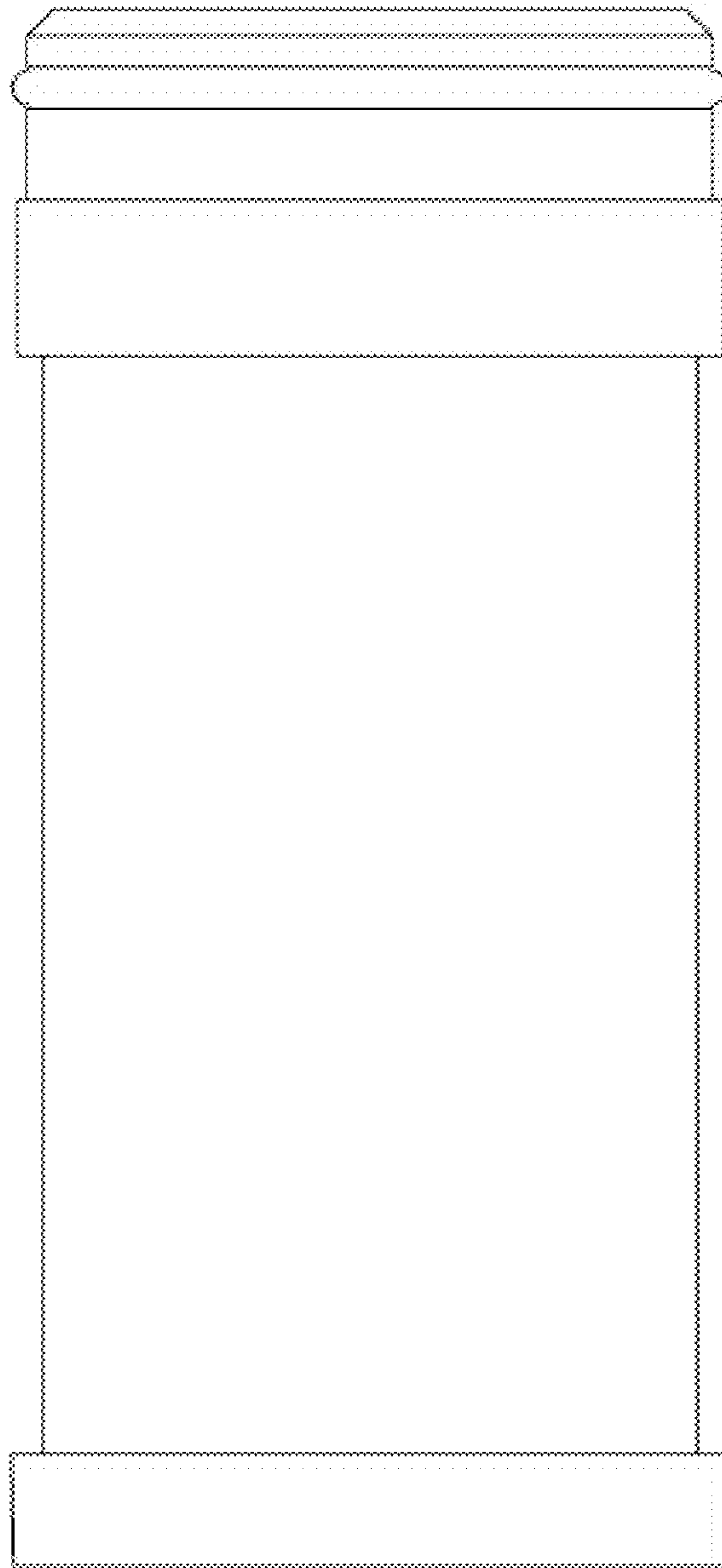


FIG. 4

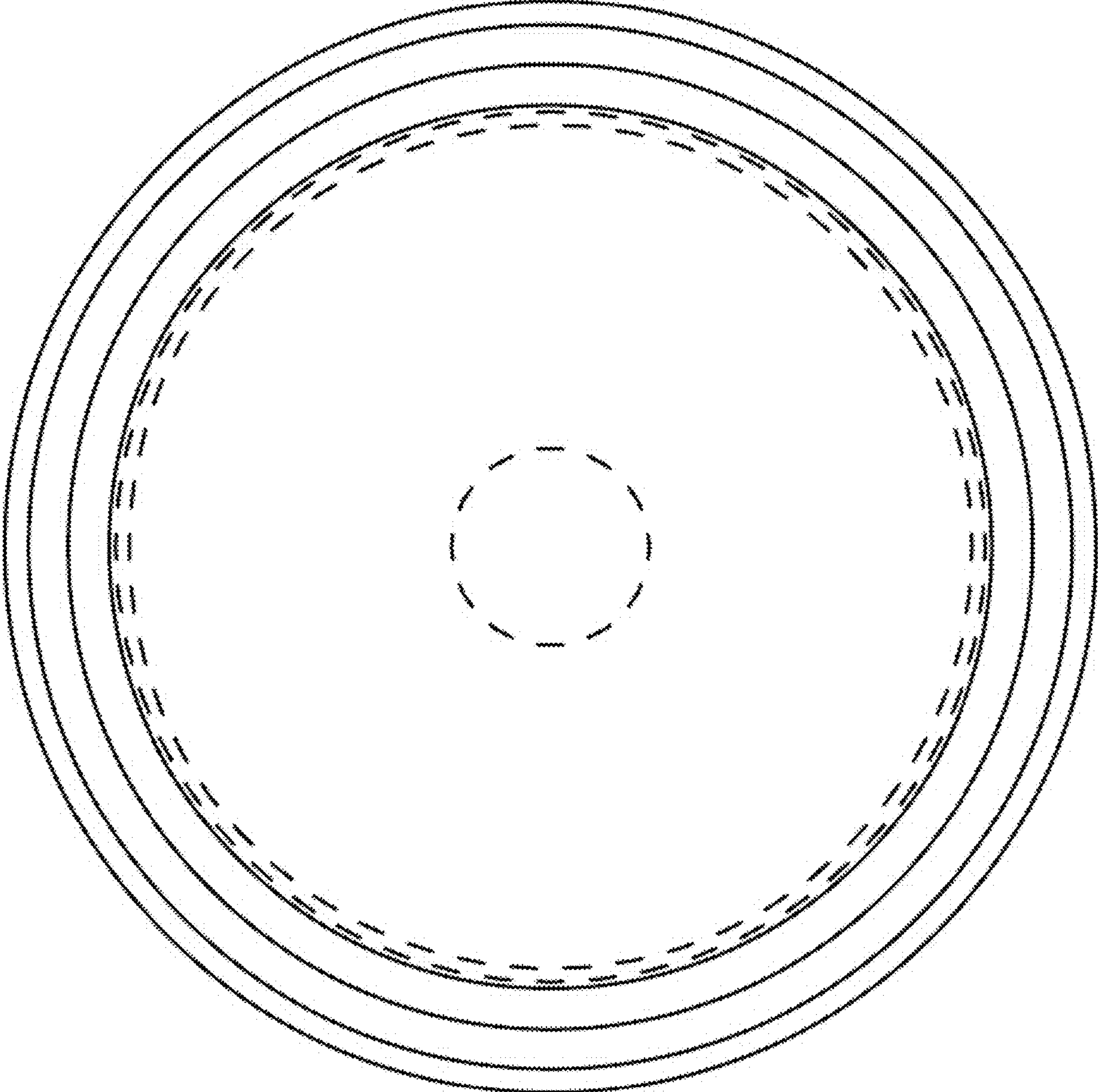


FIG. 5

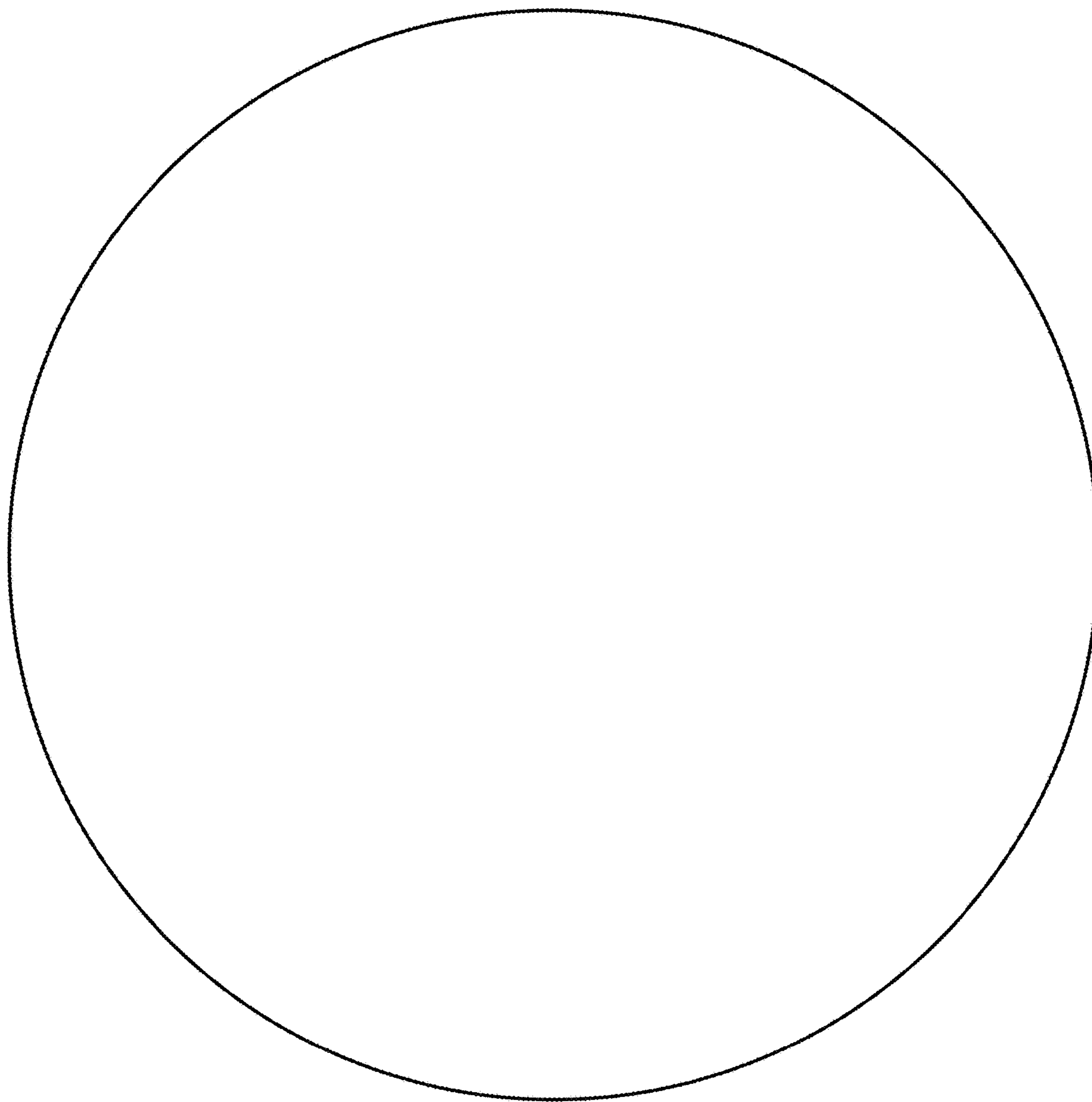


FIG. 6



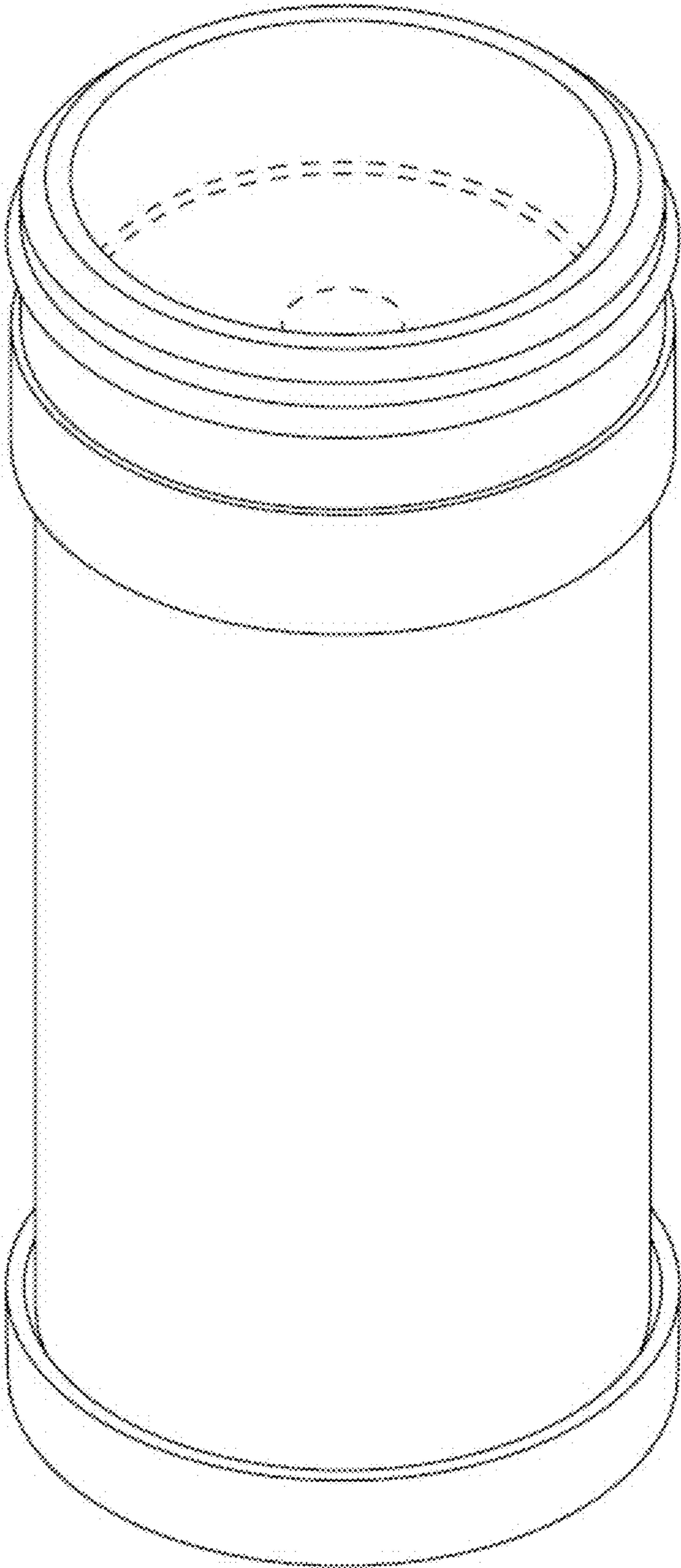


FIG. 7