



US00D873376S

(12) **United States Design Patent**  
**Montague**

(10) **Patent No.:** **US D873,376 S**

(45) **Date of Patent:** **\*\* Jan. 21, 2020**

- (54) **STORMWATER INLET**
- (71) Applicant: **Bryant Montague**, Raleigh, NC (US)
- (72) Inventor: **Bryant Montague**, Raleigh, NC (US)
- (\*\*) Term: **15 Years**
- (21) Appl. No.: **29/629,220**
- (22) Filed: **Dec. 12, 2017**
- (51) **LOC (12) Cl.** ..... **23-01**
- (52) **U.S. Cl.**  
USPC ..... **D23/209**
- (58) **Field of Classification Search**  
USPC ..... D23/261, 209; D7/400  
CPC ..... A01M 1/10  
See application file for complete search history.

- D557,374 S \* 12/2007 Pecca ..... D23/209
- D563,161 S \* 3/2008 Bodum ..... D7/399
- 7,412,797 B1 \* 8/2008 Hiscox ..... A01M 1/02  
43/107
- 7,615,148 B1 \* 11/2009 Gentry ..... B01D 35/02  
210/170.07
- D663,580 S \* 7/2012 Vagnby ..... D7/400
- D669,969 S \* 10/2012 Forrest ..... D23/261
- D672,438 S \* 12/2012 Noel ..... D23/261
- D694,852 S \* 12/2013 Gordon ..... D23/209
- D702,327 S \* 4/2014 Dannrup ..... D23/261
- D747,140 S \* 1/2016 Roth ..... D23/209
- D757,887 S \* 5/2016 Evans ..... D22/122

(Continued)

(56) **References Cited**

**U.S. PATENT DOCUMENTS**

- 769,001 A \* 8/1904 Lawrence ..... E03C 1/264  
4/291
- 770,019 A \* 9/1904 Neireiter ..... B01D 29/19  
210/459
- 956,332 A \* 4/1910 Fuller ..... E04D 13/076  
210/474
- 1,310,055 A \* 7/1919 Caldwell ..... E03F 5/0404  
210/164
- 2,505,305 A \* 4/1950 Schaefer ..... E03C 1/264  
4/289
- 3,731,815 A \* 5/1973 Collingwood ..... B01D 29/58  
210/496
- D255,480 S \* 6/1980 Zieg ..... 210/483
- 4,487,695 A \* 12/1984 Connolly ..... B01D 33/067  
210/380.1
- D279,379 S \* 6/1985 Uram ..... D15/138
- 5,424,083 A \* 6/1995 Lozito ..... A47J 31/005  
426/110
- 6,592,756 B1 \* 7/2003 Felix, Jr. .... B01D 29/23  
210/167.12
- 7,300,573 B1 \* 11/2007 Trangsrud ..... E03F 1/00  
210/163

**OTHER PUBLICATIONS**

PERF-10 Perforated Filter by Boegger. Available date Oct. 31, 2015 [site visited Aug. 22, 2019]. Available: <<https://www.perforated-sheet.com/perforatedsheet/perforated-filter.html>> (Year: 2015).\*

*Primary Examiner* — Kevin K Rudzinski

(74) *Attorney, Agent, or Firm* — Coats & Bennett, PLLC

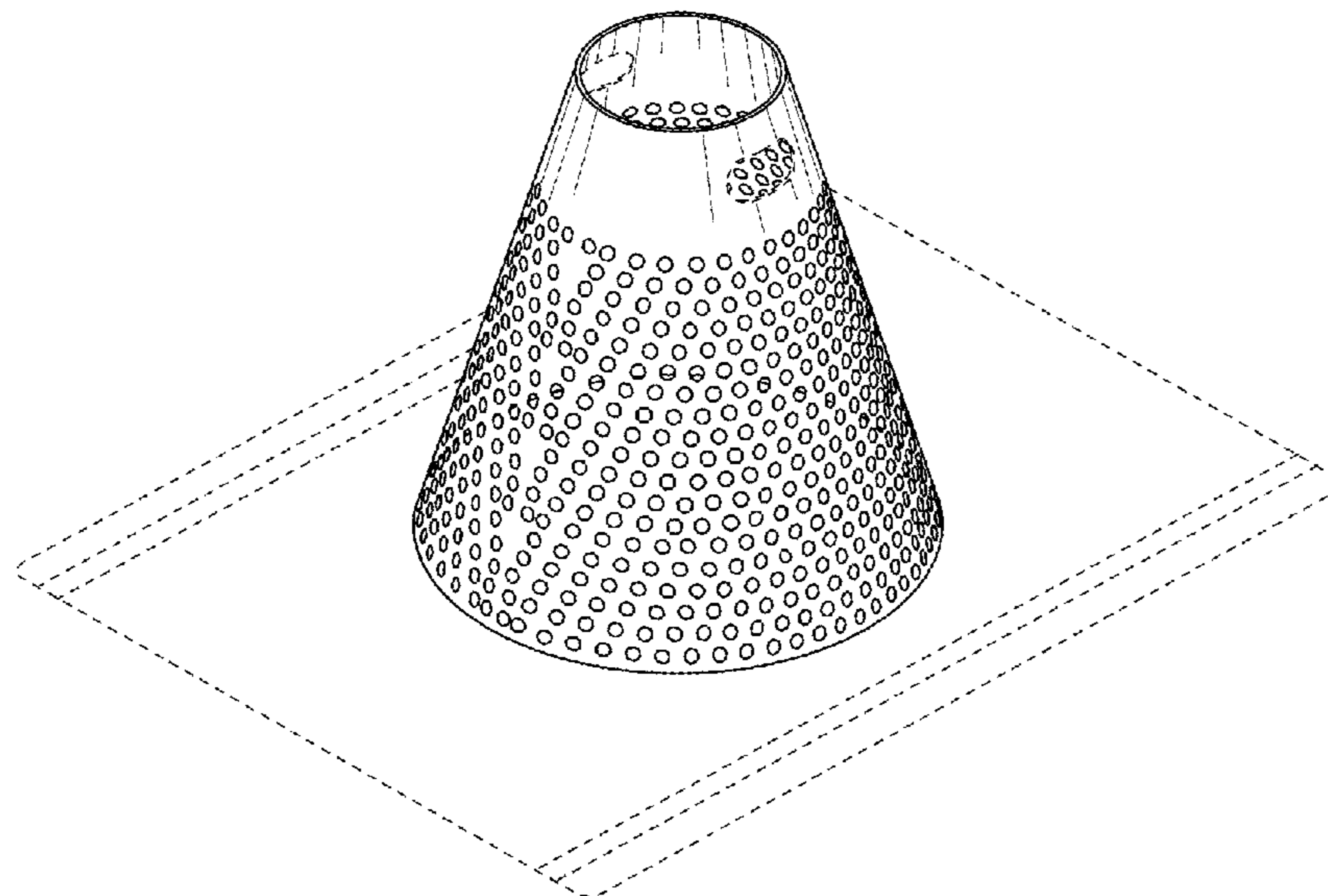
(57) **CLAIM**

The ornamental design for a stormwater inlet, as shown and described.

**DESCRIPTION**

FIG. 1 is a perspective view of the stormwater inlet as viewed from the back of the stormwater inlet. FIG. 2 is a side elevational view of the stormwater inlet with the opposite side being a mirror image of the same. FIG. 3 is a front elevational view of the stormwater inlet. FIG. 4 is a top plan view of the stormwater inlet; and, FIG. 5 is a rear elevational view of the stormwater inlet. The broken lines shown in the drawings illustrate environment and portions of the stormwater inlet that form no part of the claimed design.

**1 Claim, 5 Drawing Sheets**



(56)

**References Cited**

U.S. PATENT DOCUMENTS

D764,864	S *	8/2016	Hertaus .....	D7/400
D790,915	S *	7/2017	Yeh .....	D7/400
D791,535	S *	7/2017	Yeh .....	D7/400
9,719,240	B1 *	8/2017	Montague .....	E03F 5/0404
D803,620	S *	11/2017	Yeh .....	D7/400
D809,338	S *	2/2018	Mikami .....	D7/400
D812,183	S *	3/2018	McGavin .....	D22/122
D815,895	S *	4/2018	Roth .....	D7/400
9,962,638	B1 *	5/2018	Tucker .....	B01D 35/1573
D847,564	S *	5/2019	Best .....	D7/400
D850,850	S *	6/2019	Vargo .....	D7/400
2006/0078387	A1 *	4/2006	Allard .....	B01D 29/54 405/45
2007/0181486	A1 *	8/2007	Ashliman .....	B01D 24/007 210/323.1
2009/0271920	A1 *	11/2009	Viggiano .....	E03C 1/264 4/292
2018/0028950	A1 *	2/2018	Heilman .....	B01D 35/30

\* cited by examiner

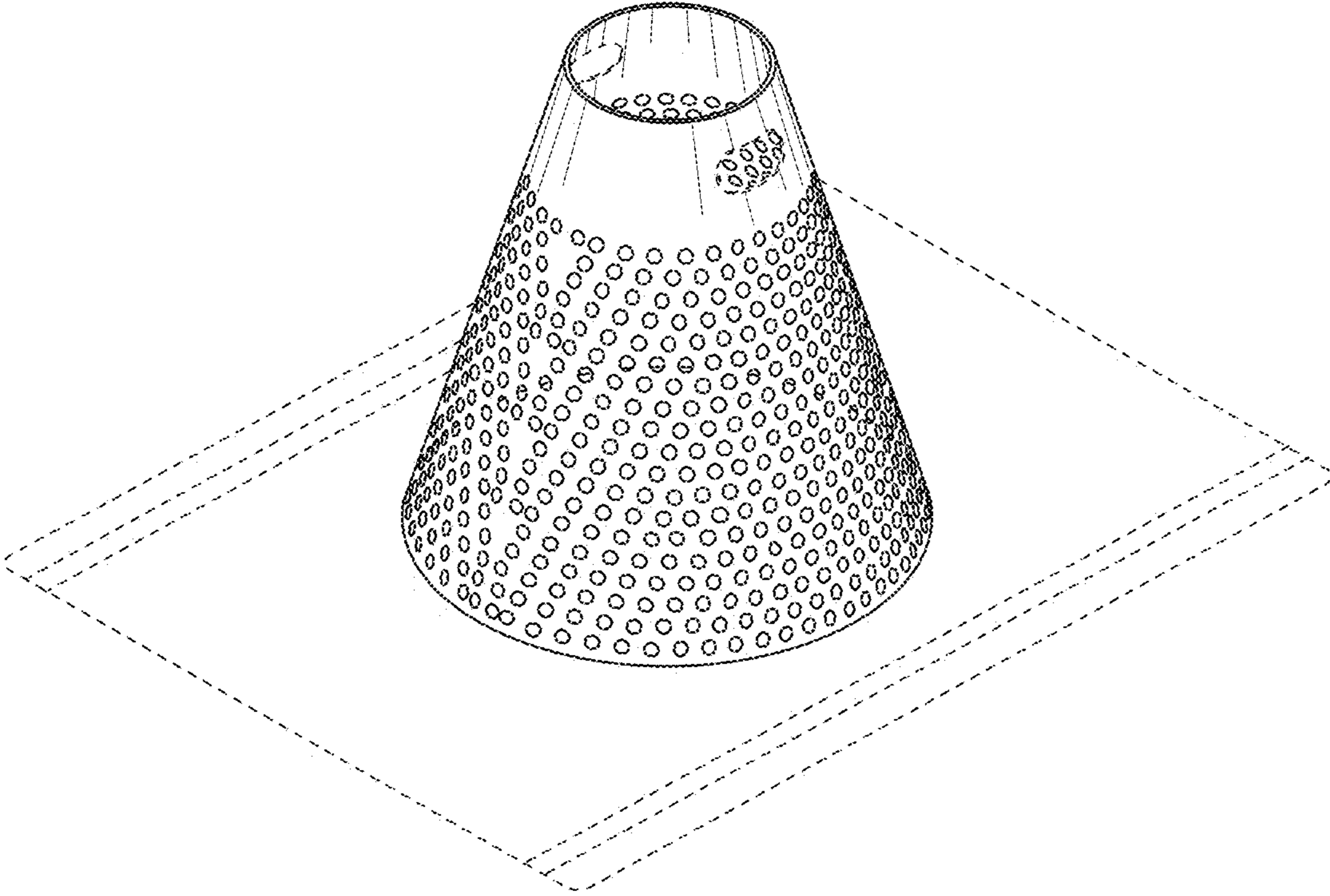
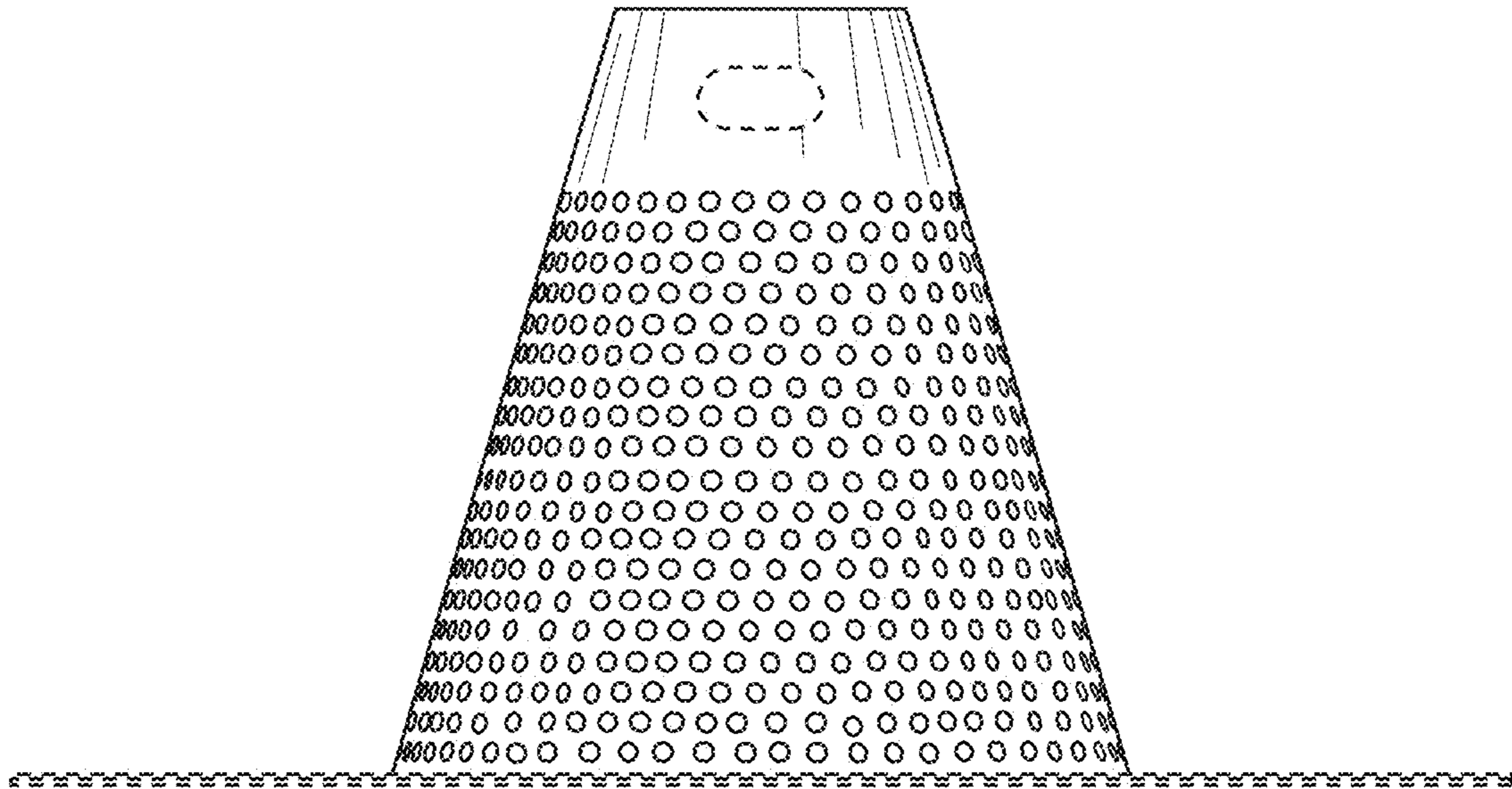


FIG. 1



**FIG. 2**

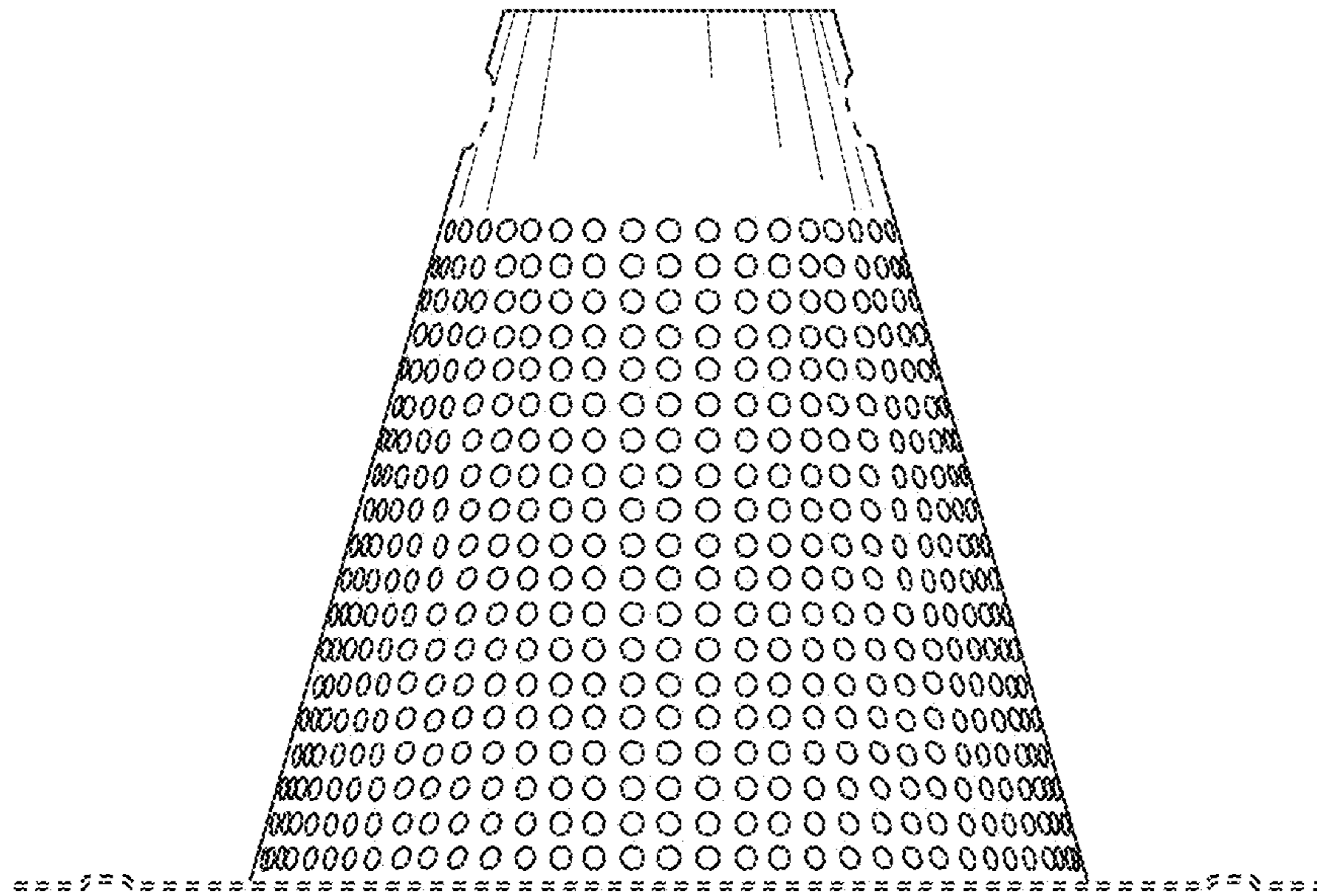


FIG. 3

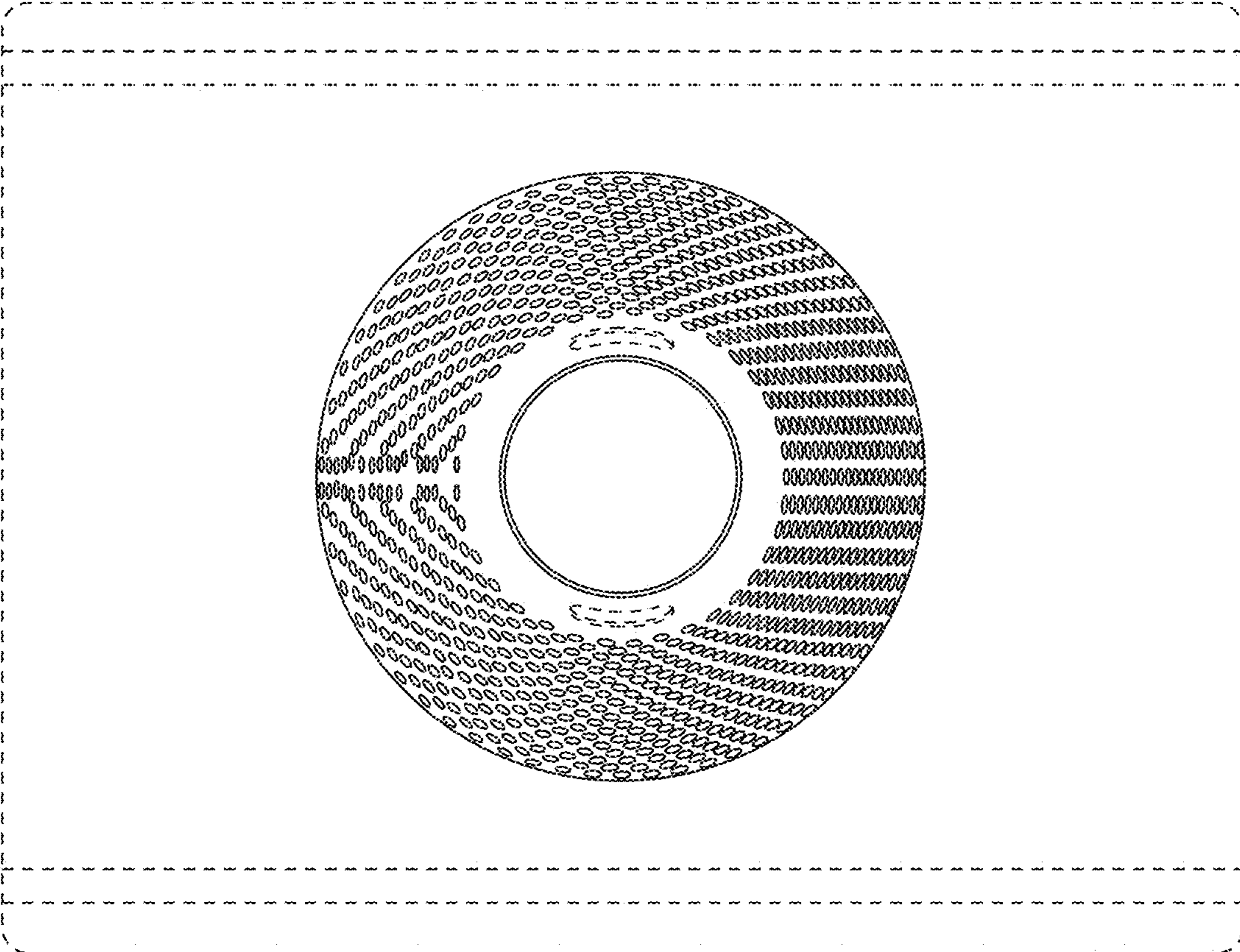


FIG. 4

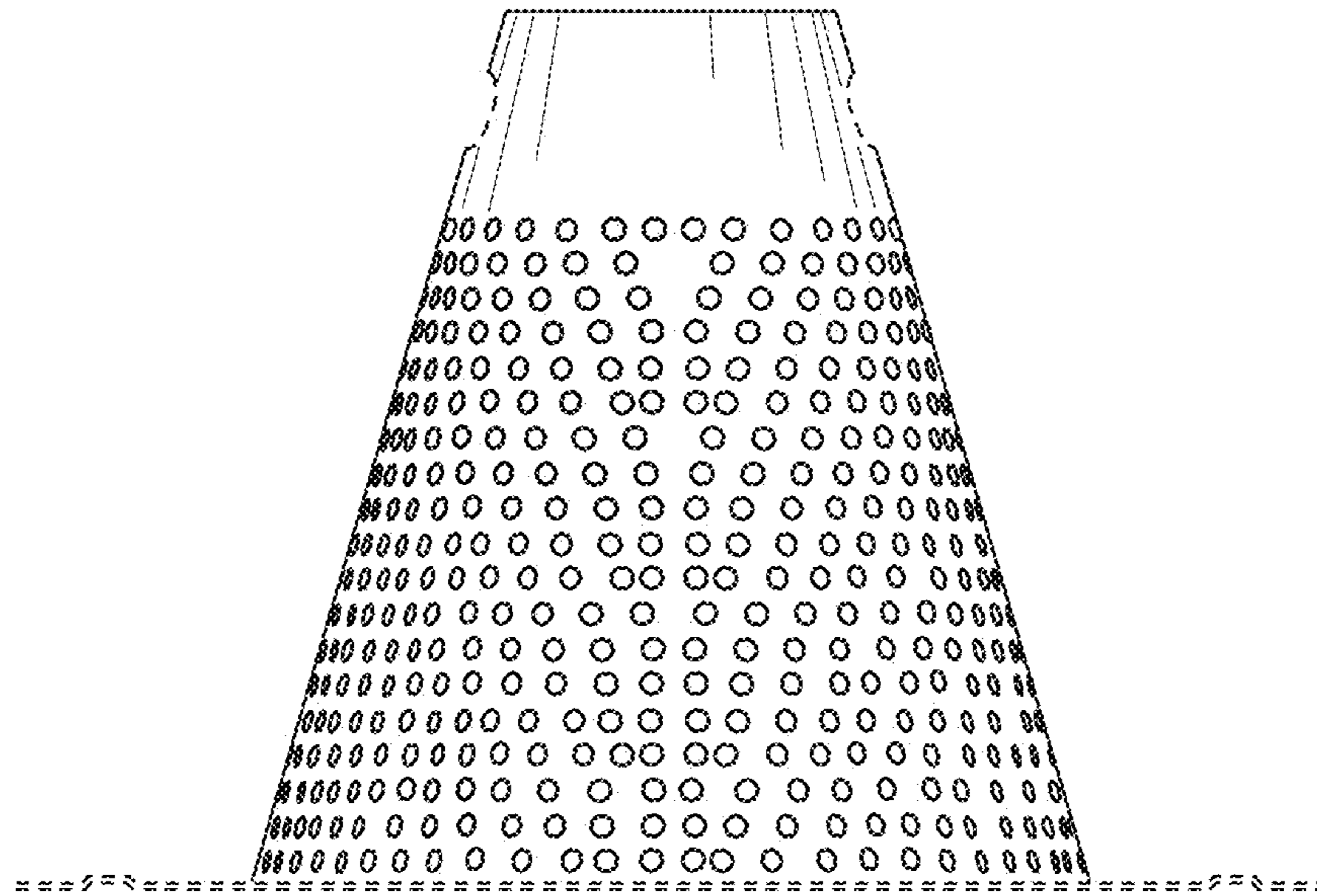


FIG. 5