



US00D873375S

(12) **United States Design Patent** (10) **Patent No.:** **US D873,375 S**
Spengler et al. (45) **Date of Patent:** **** *Jan. 21, 2020**

(54) **FISHING LURE**

(71) Applicant: **Pure Fishing, Inc.**, Spirit Lake, IA (US)

(72) Inventors: **Daniel E. Spengler**, Milford, IA (US);
Keith L. Ostrum, Spirit Lake, IA (US);
Kelli M. Lange, Spirit Lake, IA (US);
James S. Suggs, Alexander, AR (US)

(73) Assignee: **Pure Fishing, Inc.**, Spirit Lake, IA (US)

(*) Notice: This patent is subject to a terminal disclaimer.

(**) Term: **15 Years**

(21) Appl. No.: **29/636,809**

(22) Filed: **Feb. 12, 2018**

(51) **LOC (12) Cl.** **22-05**

(52) **U.S. Cl.**
USPC **D22/133**

(58) **Field of Classification Search**
USPC D22/126-133; 43/42.34, 42.45, 42.48,
43/42.03, 42.23, 42.09, 42.08, 42.11,
43/42.27, 42.31, 42.05

(Continued)

(56) **References Cited**

U.S. PATENT DOCUMENTS

2,069,972 A 2/1937 Schroeder
2,274,596 A 2/1942 Fink

(Continued)

FOREIGN PATENT DOCUMENTS

JP 2004-222541 B2 8/2004
WO 2011016128 A1 2/2011

(Continued)

Primary Examiner — Catherine R Oliver-Garcia

(74) *Attorney, Agent, or Firm* — Husch Blackwell LLP

(57) **CLAIM**

The ornamental design for a fishing lure, as shown and described.

DESCRIPTION

FIG. 1 is a perspective view of a of a first embodiment of a fishing lure showing the new design;

FIG. 2 is a left side view of the fishing lure of FIG. 1;

FIG. 3 is a right side view of the fishing lure shown in FIG. 1;

FIG. 4 is a front view of the fishing lure shown in FIG. 1;

FIG. 5 is a rear view of the fishing lure shown in FIG. 1;

FIG. 6 is a top view of the fishing lure shown in FIG. 1;

FIG. 7 is a bottom view of the fishing lure shown in FIG. 1;

FIG. 8 is a perspective view of a second embodiment of a fishing lure showing the new design;

FIG. 9 is a left side view of the fishing lure of FIG. 8;

FIG. 10 is a right side view of the fishing lure shown in FIG. 8;

FIG. 11 is a front view of the fishing lure shown in FIG. 8;

FIG. 12 is a rear view of the fishing lure shown in FIG. 8;

FIG. 13 is a top view of the fishing lure shown in FIG. 8;

FIG. 14 is a bottom view of the fishing lure shown in FIG. 8;

FIG. 15 is a perspective view of a third embodiment of a fishing lure showing the new design;

FIG. 16 is a left side view of the fishing lure of FIG. 15;

FIG. 17 is a right side view of the fishing lure shown in FIG. 15;

FIG. 18 is a front view of the fishing lure shown in FIG. 15;

FIG. 19 is a rear view of the fishing lure shown in FIG. 15;

FIG. 20 is a top view of the fishing lure shown in FIG. 15;

FIG. 21 is a bottom view of the fishing lure shown in FIG. 15;

FIG. 22 is a perspective view of a fourth embodiment of a fishing lure showing the new design;

FIG. 23 is a left side view of the fishing lure of FIG. 22;

FIG. 24 is a right side view of the fishing lure shown in FIG. 22;

FIG. 25 is a front view of the fishing lure shown in FIG. 22;

FIG. 26 is a rear view of the fishing lure shown in FIG. 22;

(Continued)

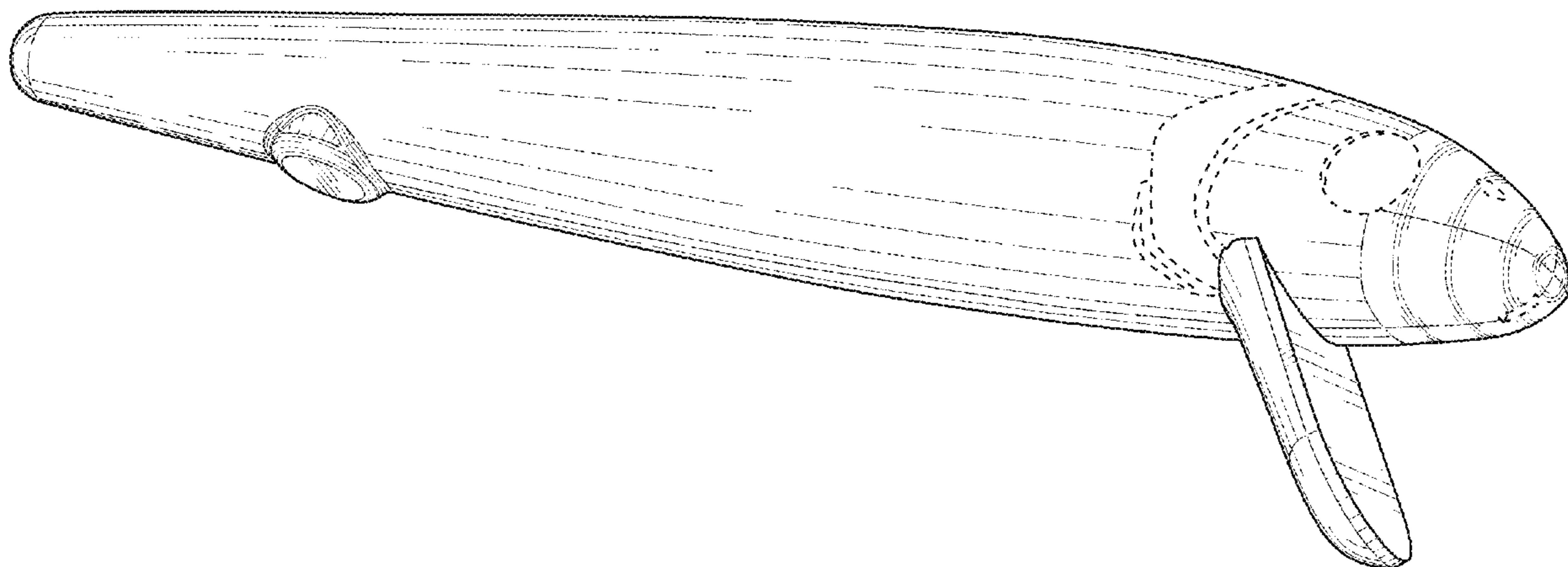


FIG. 27 is a top view of the fishing lure shown in FIG. 22;
 FIG. 28 is a bottom view of the fishing lure shown in FIG. 22;
 FIG. 29 is a perspective view of a fifth embodiment of a fishing lure showing the new design;
 FIG. 30 is a left side view of the fishing lure of FIG. 29;
 FIG. 31 is a right side view of the fishing lure shown in FIG. 29;
 FIG. 32 is a front view of the fishing lure shown in FIG. 29;
 FIG. 33 is a rear view of the fishing lure shown in FIG. 29;
 FIG. 34 is a top view of the fishing lure shown in FIG. 29;
 and,
 FIG. 35 is a bottom view of the fishing lure shown in FIG. 29.

The broken lines in the figures illustrate unclaimed environment and form no part of the claimed design.

1 Claim, 20 Drawing Sheets

(58) **Field of Classification Search**

CPC A01K 85/00; A01K 85/01; A01K 85/02;
 A01K 85/005; A01K 85/16; A01K 85/18;
 A01K 95/00

See application file for complete search history.

(56) **References Cited**

U.S. PATENT DOCUMENTS

2,567,728 A 9/1951 Rivero
 2,715,790 A 8/1955 Carpenter
 4,098,017 A 7/1978 Hall
 4,141,171 A 2/1979 Muddiman
 4,183,164 A 1/1980 Young et al.
 4,928,422 A 5/1990 Pitre
 4,956,934 A 9/1990 Dahl
 5,134,799 A 8/1992 Trnka
 5,182,875 A 2/1993 Righetti
 5,276,992 A 1/1994 Kato
 5,477,634 A 12/1995 Welcome
 5,537,770 A 7/1996 Storm et al.

5,566,496 A 10/1996 Rutherford et al.
 5,600,916 A 2/1997 Smith
 6,058,643 A 5/2000 Marusak et al.
 D435,082 S * 12/2000 Tsutsumi D22/131
 D441,790 S * 5/2001 Cox D22/133
 6,374,535 B1 4/2002 Bailey
 6,484,434 B1 11/2002 Elges
 6,546,663 B1 4/2003 Signitzer et al.
 6,647,660 B1 11/2003 Kruger
 6,912,808 B1 7/2005 Mak
 7,234,266 B2 6/2007 Thomas
 7,293,386 B2 11/2007 Thomas
 7,716,871 B1 5/2010 Sayers
 7,757,425 B2 7/2010 Herasymchuk
 D633,169 S * 2/2011 Somogyi D22/131
 D634,220 S * 3/2011 Boutwell D22/131
 7,980,020 B2 7/2011 Ingram
 D668,736 S * 10/2012 Ito D22/131
 D676,519 S * 2/2013 Cook, Jr. D22/133
 D676,521 S * 2/2013 Cook, Jr. D22/133
 D692,521 S * 10/2013 Vainio D22/133
 8,720,104 B2 5/2014 Smith et al.
 D710,483 S * 8/2014 Cook, Jr. D22/133
 8,931,205 B2 1/2015 Choi
 D765,219 S * 8/2016 Robbins D22/133
 9,713,321 B2 7/2017 Smith et al.
 D815,712 S * 4/2018 Patrick D22/133
 D817,438 S * 5/2018 Leppala D22/133
 2004/0006909 A1 1/2004 Essad
 2004/0049970 A1 3/2004 Brown
 2004/0107628 A1 6/2004 Mueller
 2007/0107295 A1 5/2007 Kaptis
 2008/0104878 A1 5/2008 Wolter
 2008/0104881 A1 5/2008 Ito
 2009/0307960 A1 12/2009 Oelerich, Jr. et al.
 2010/0126058 A1 5/2010 Hughes
 2011/0010984 A1 1/2011 Reynolds
 2016/0157471 A1 6/2016 Leppala
 2016/0183504 A1 6/2016 Curtis

FOREIGN PATENT DOCUMENTS

WO 2012135916 A1 10/2012
 WO 2015095871 A1 6/2015
 WO 2015153941 A1 10/2015

* cited by examiner

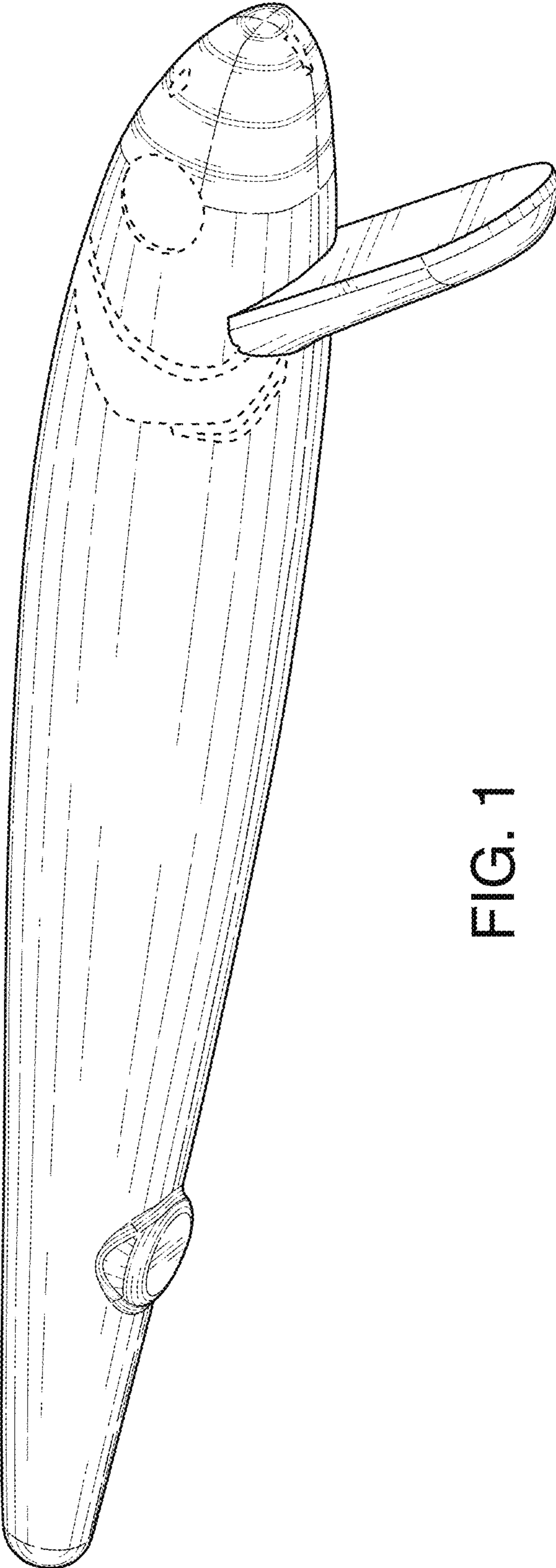


FIG. 1

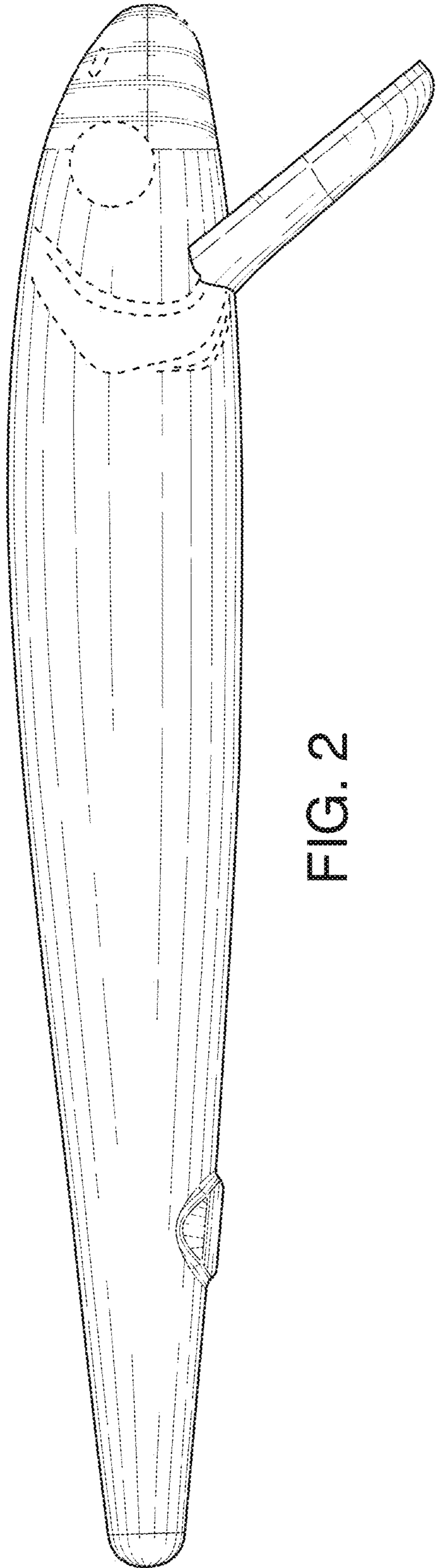


FIG. 2

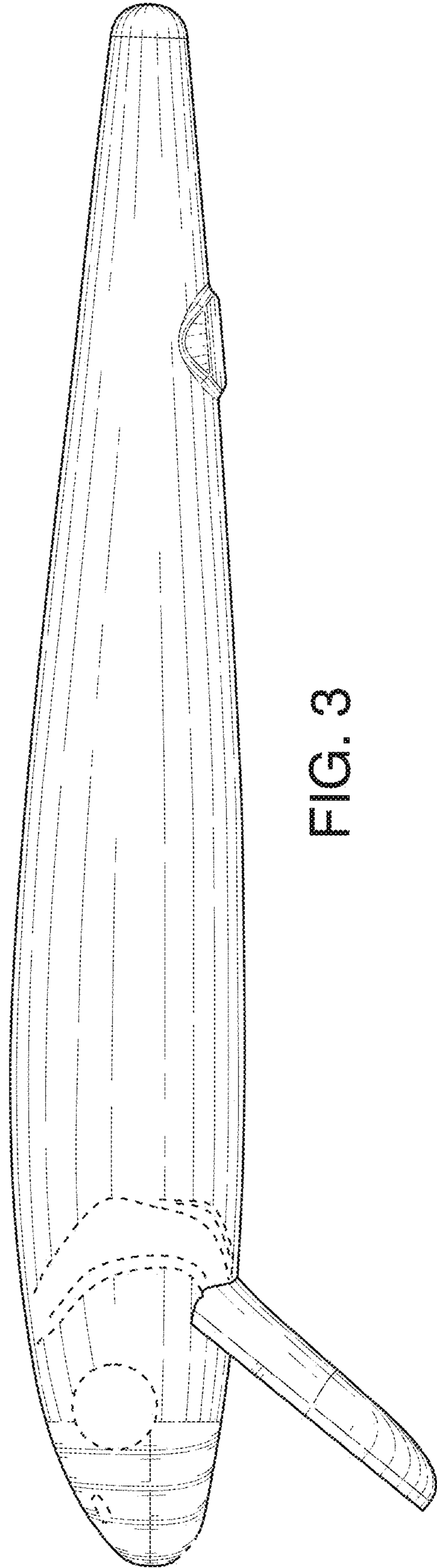


FIG. 3

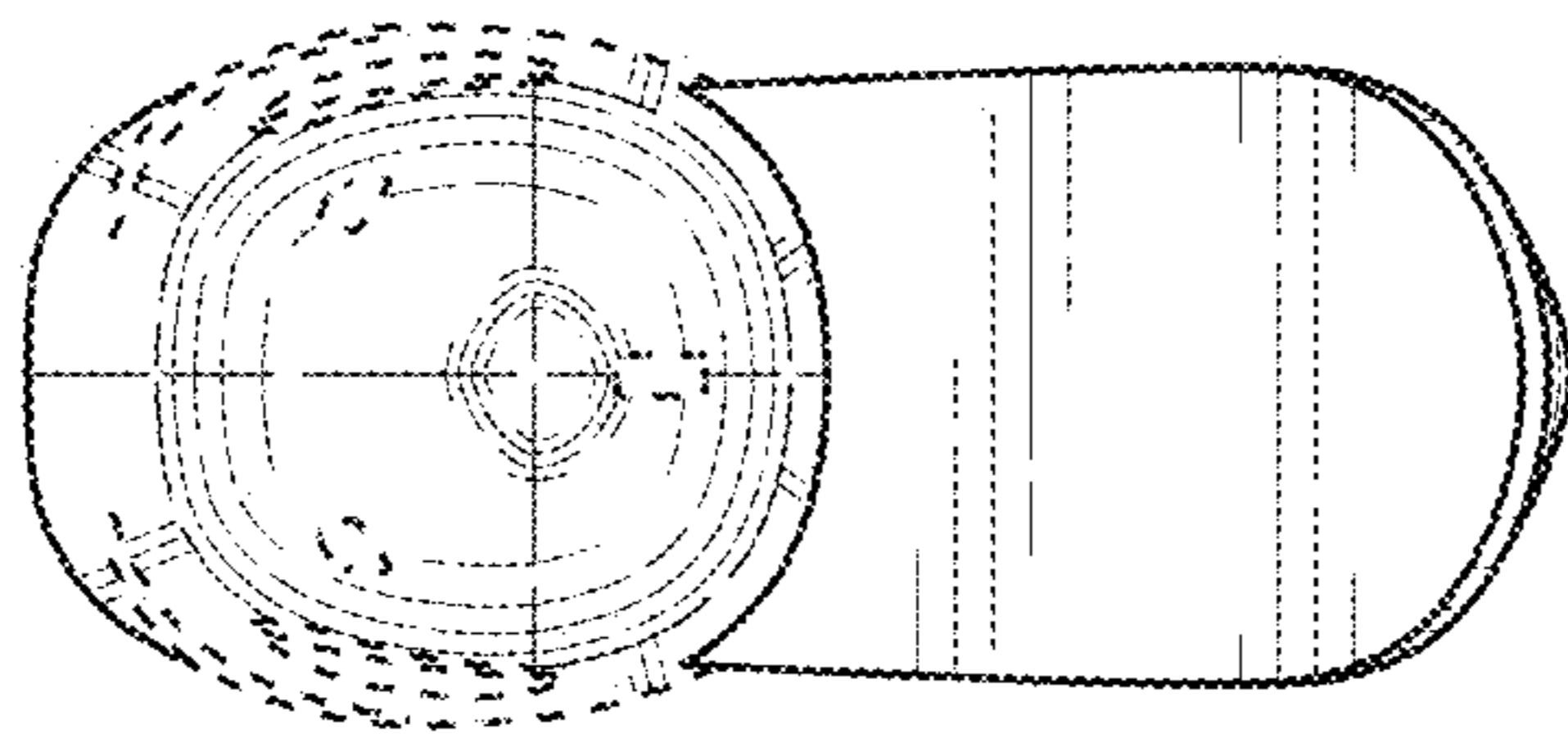


FIG. 4

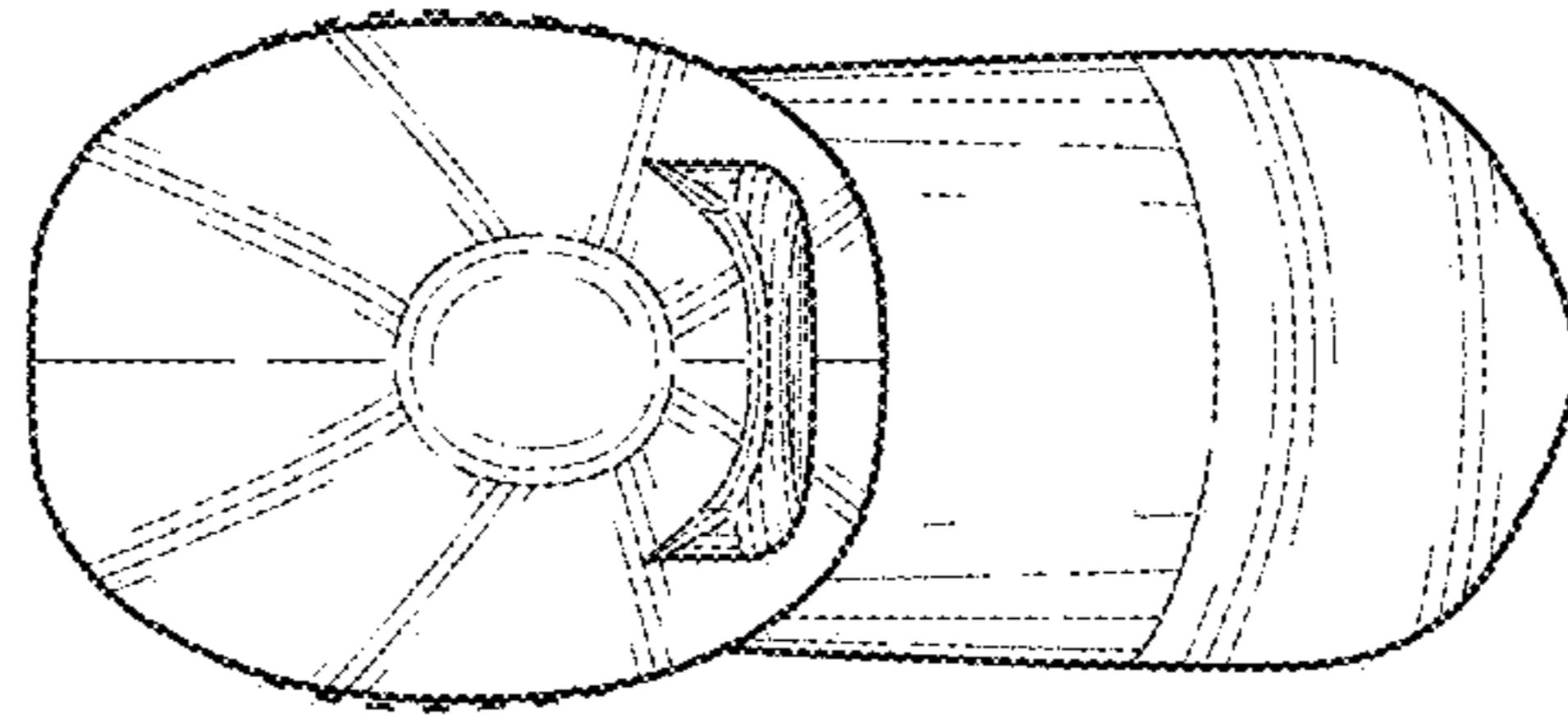


FIG. 5

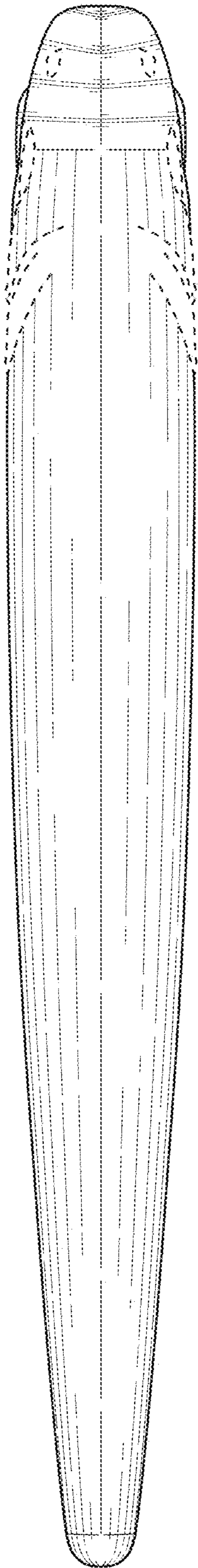


FIG. 6

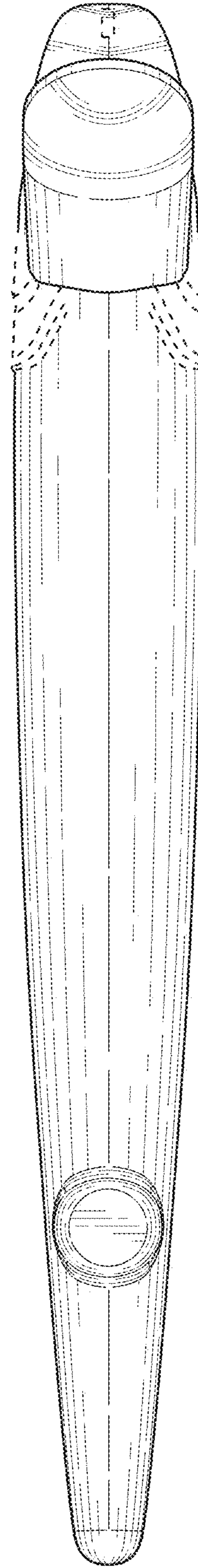


FIG. 7

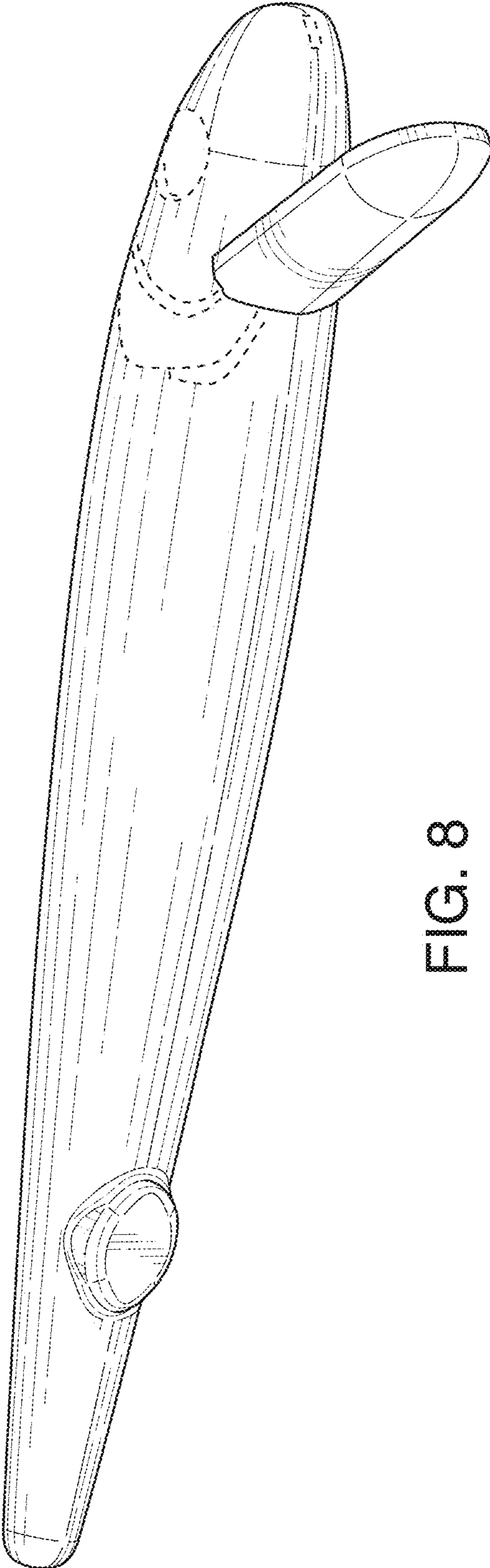


FIG. 8

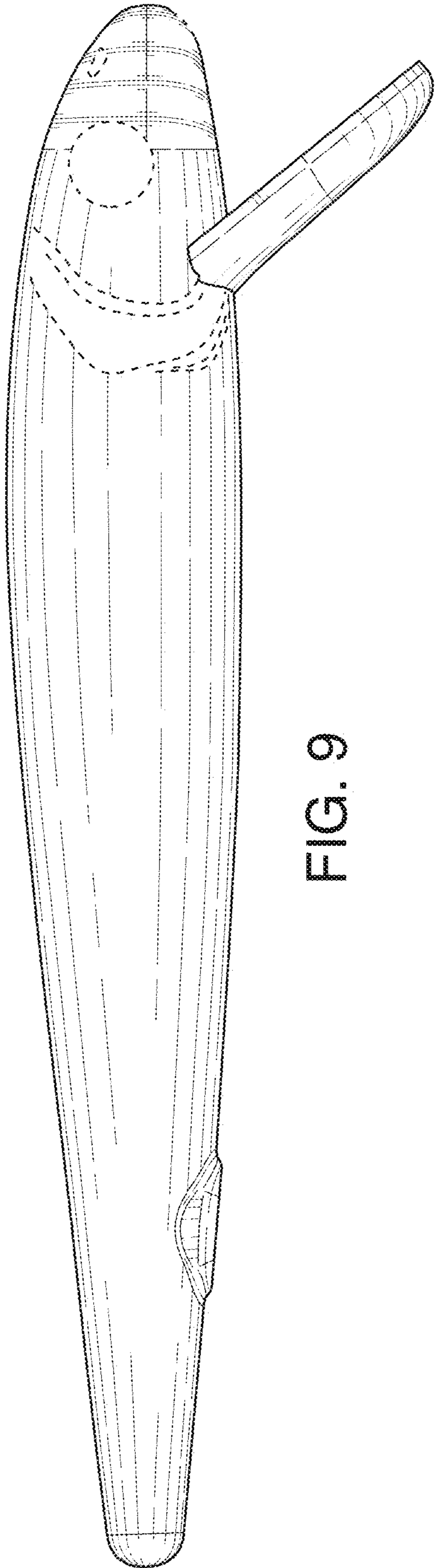


FIG. 9

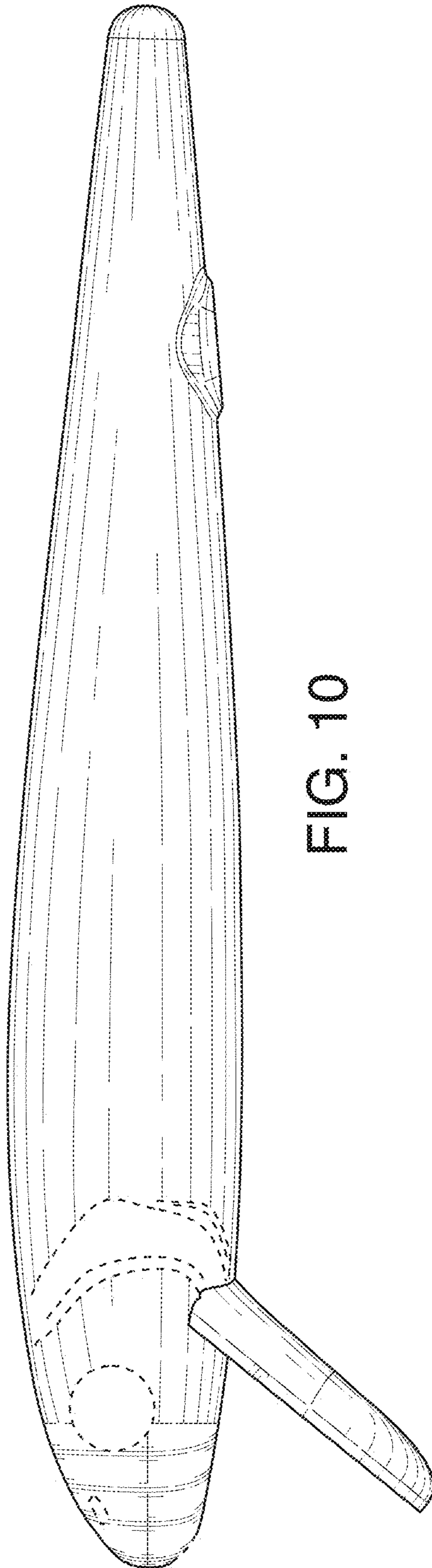


FIG. 10

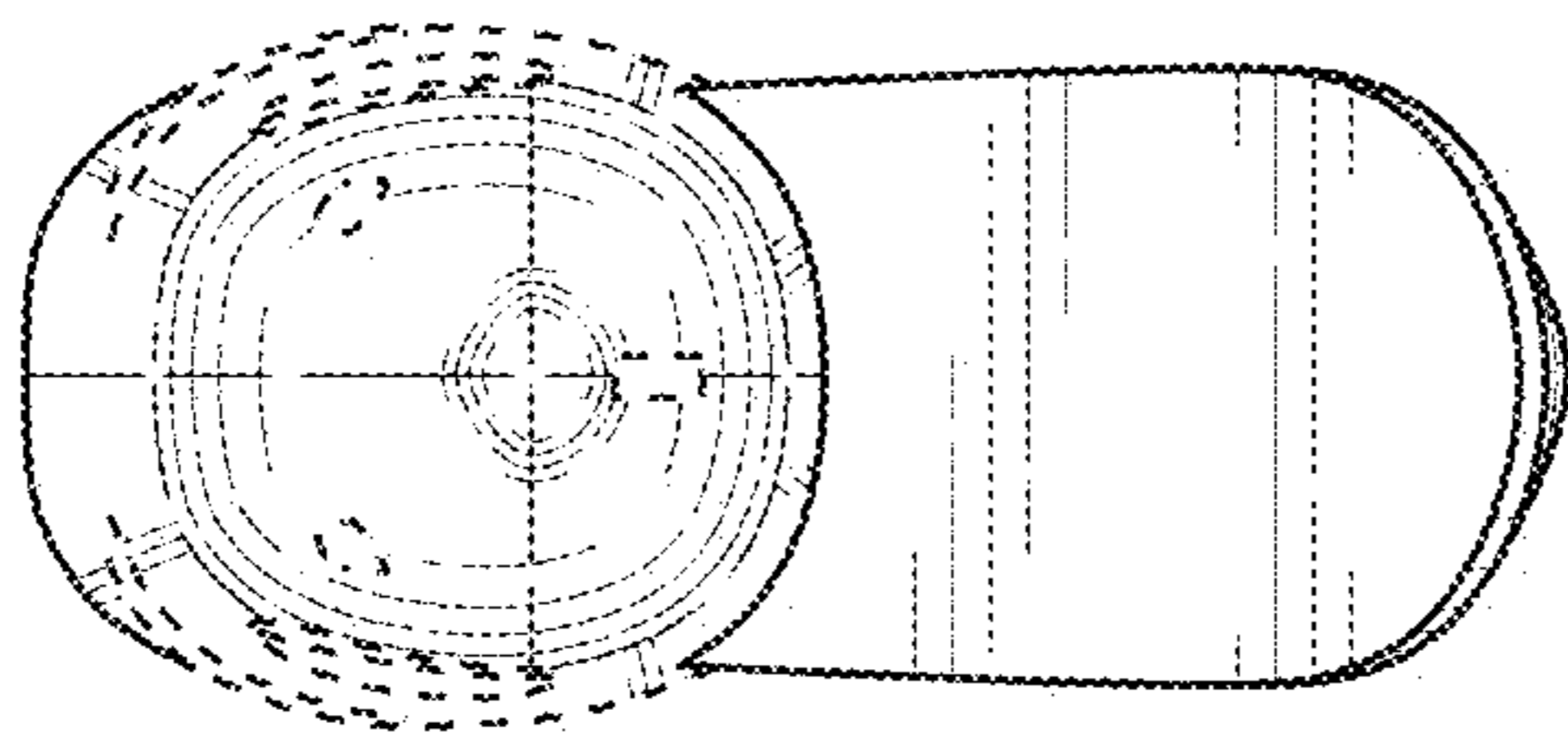


FIG. 11

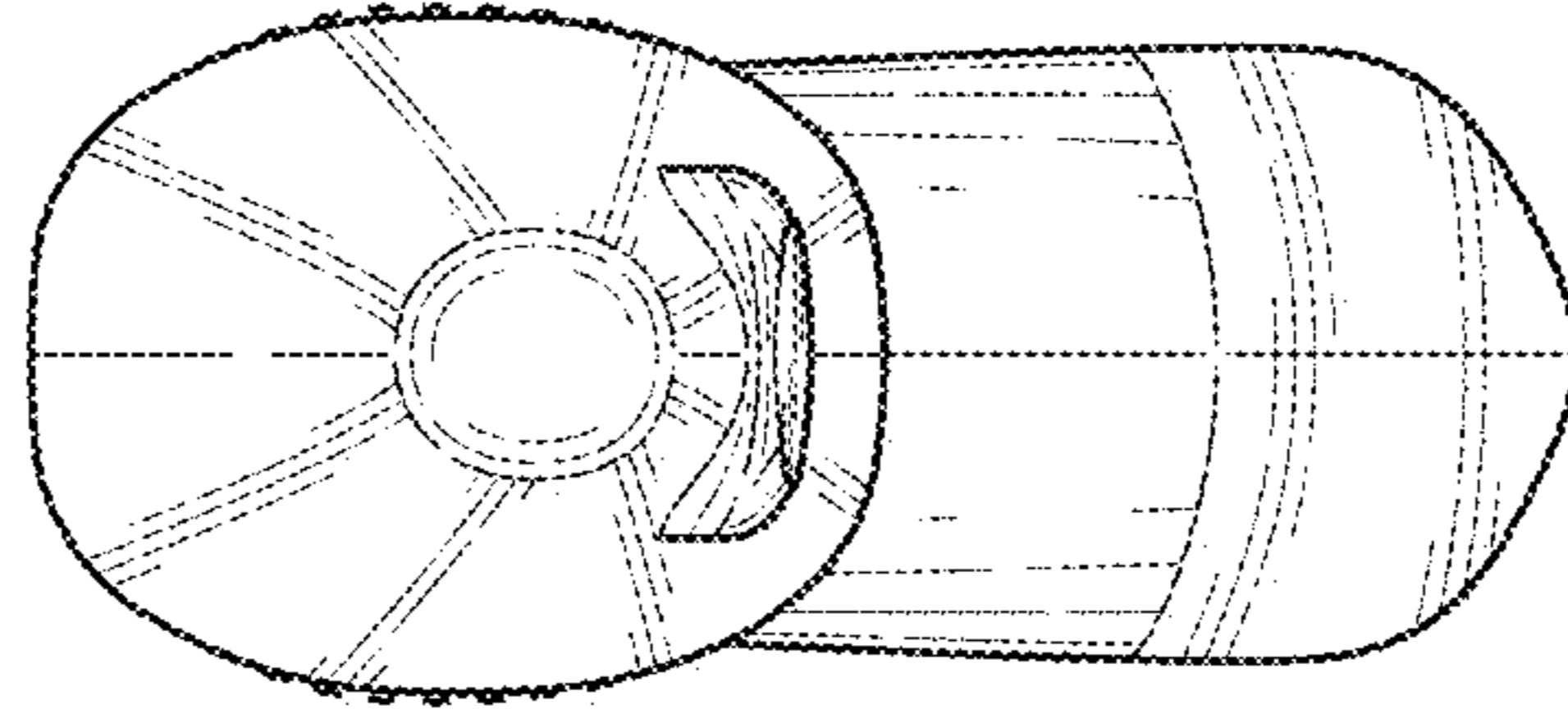


FIG. 12

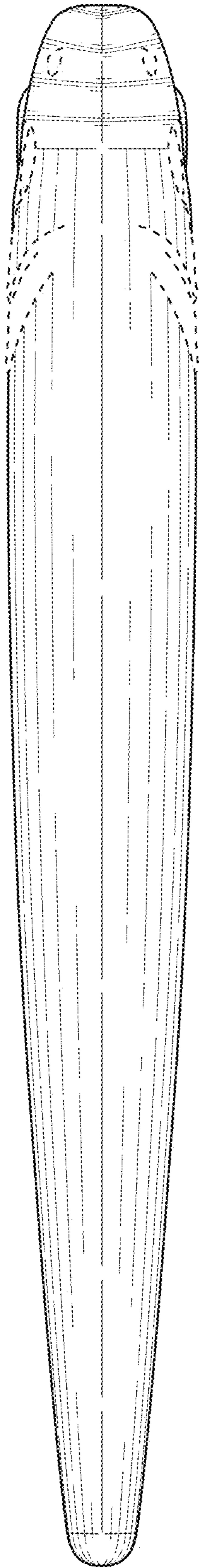


FIG. 13

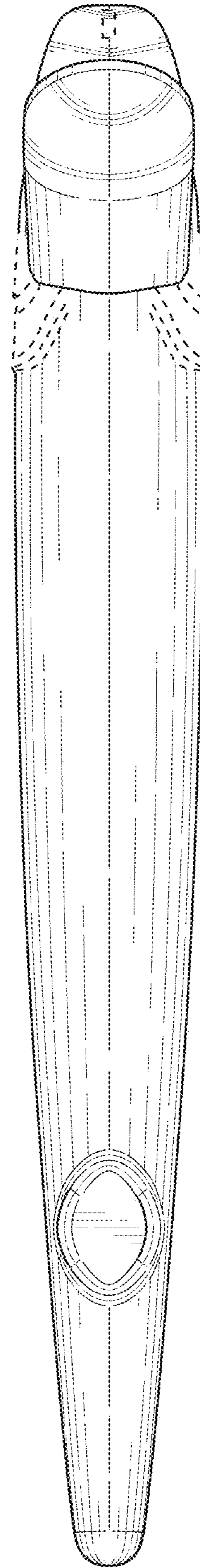


FIG. 14

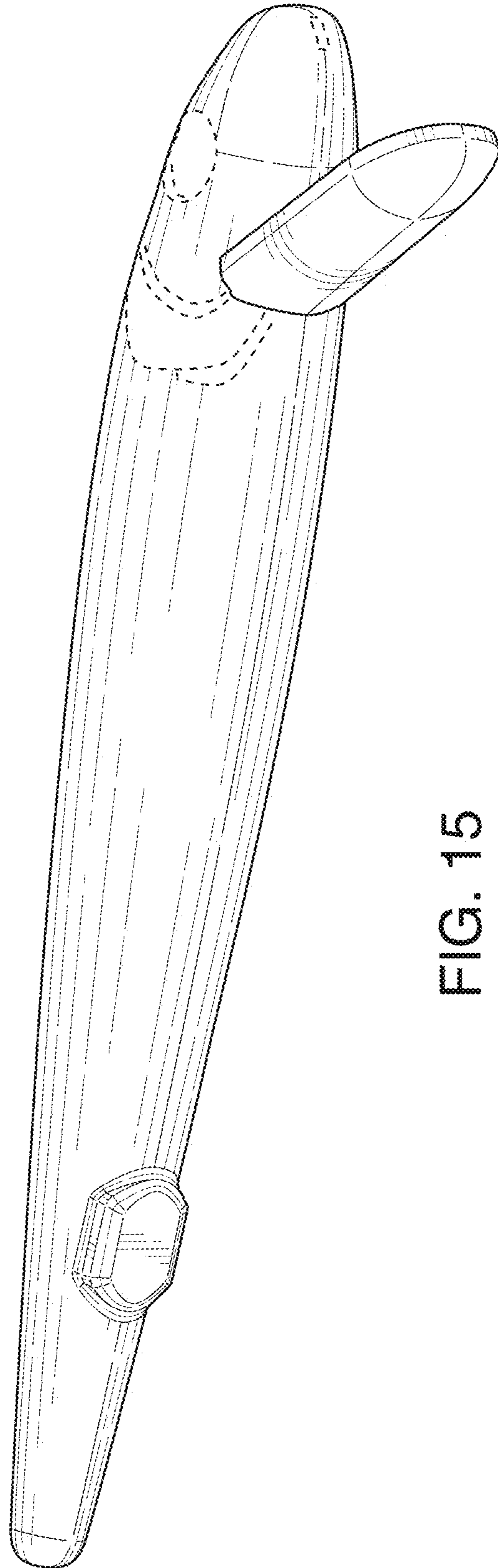


FIG. 15

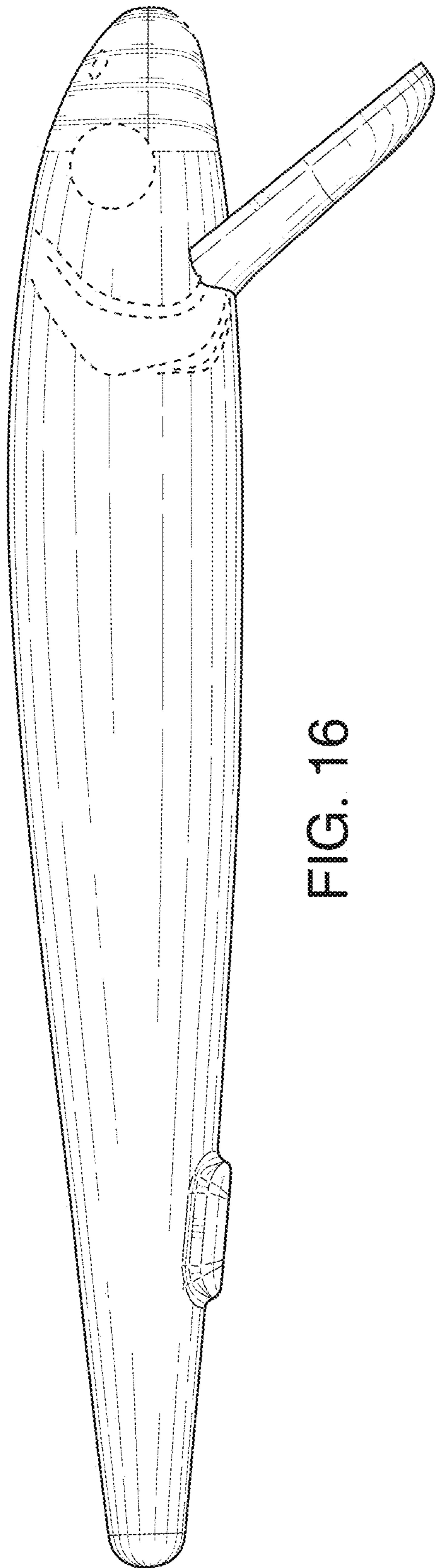


FIG. 16

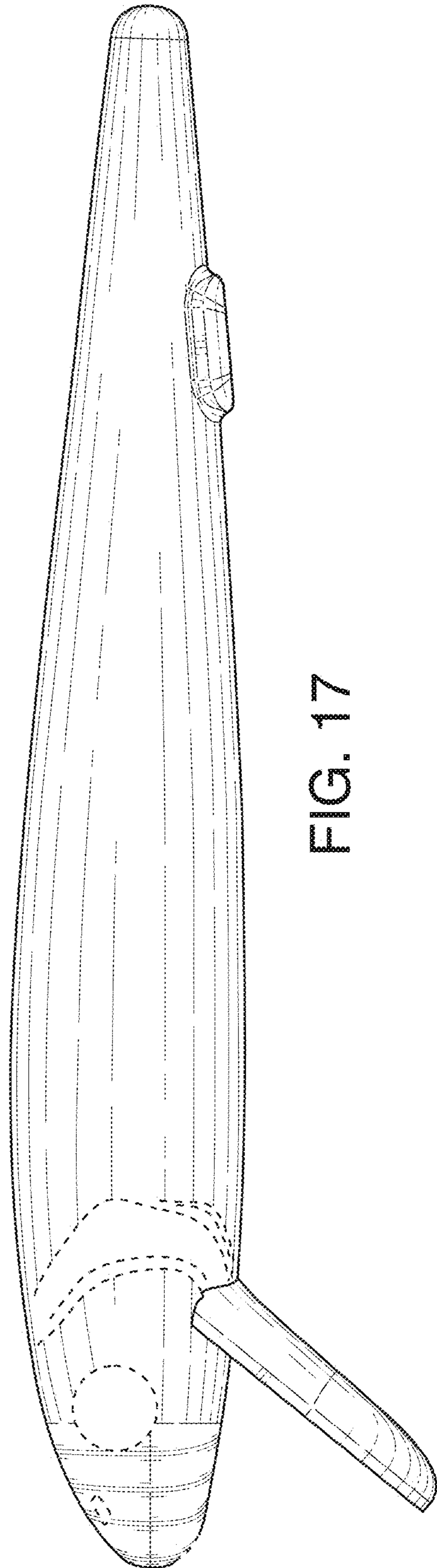


FIG. 17

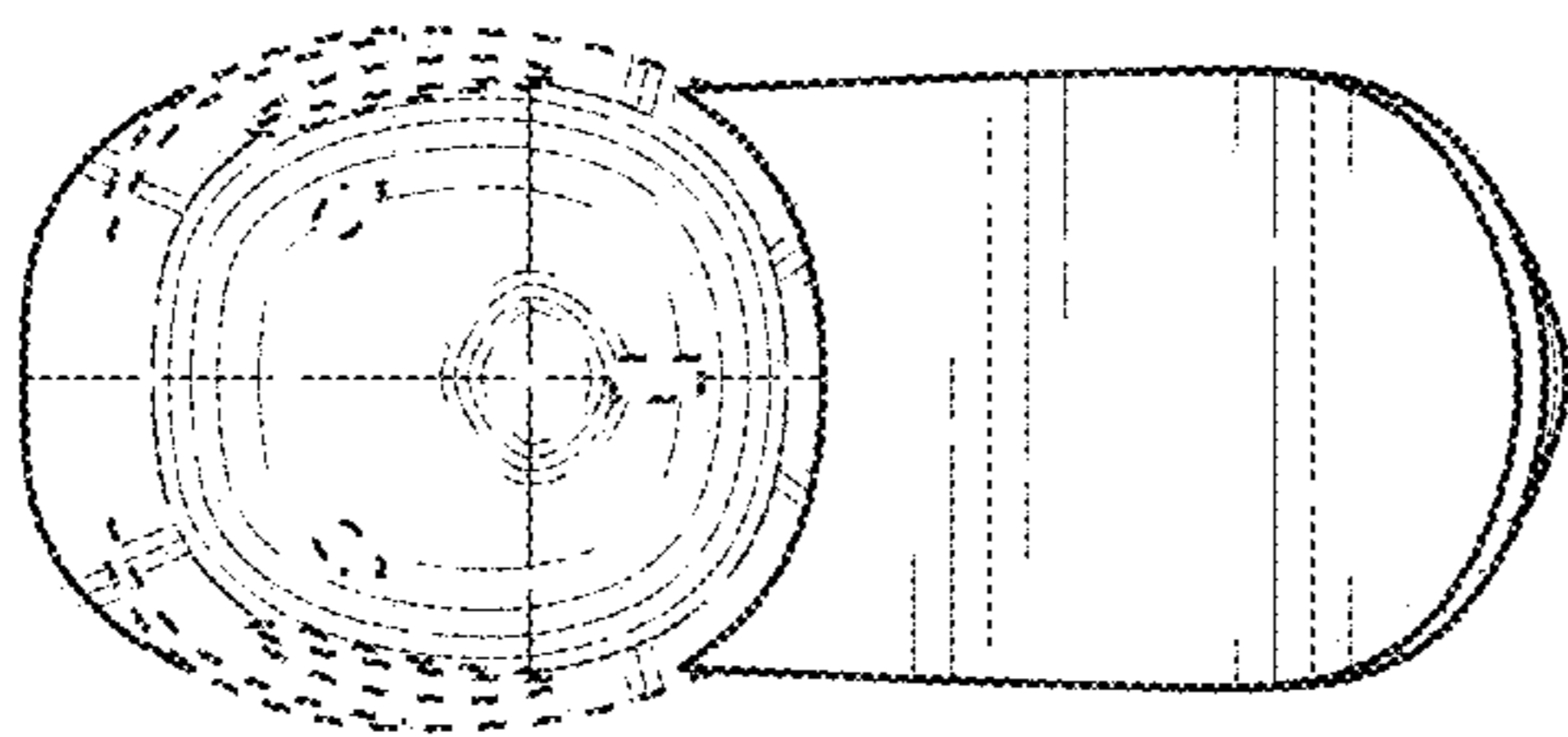


FIG. 18

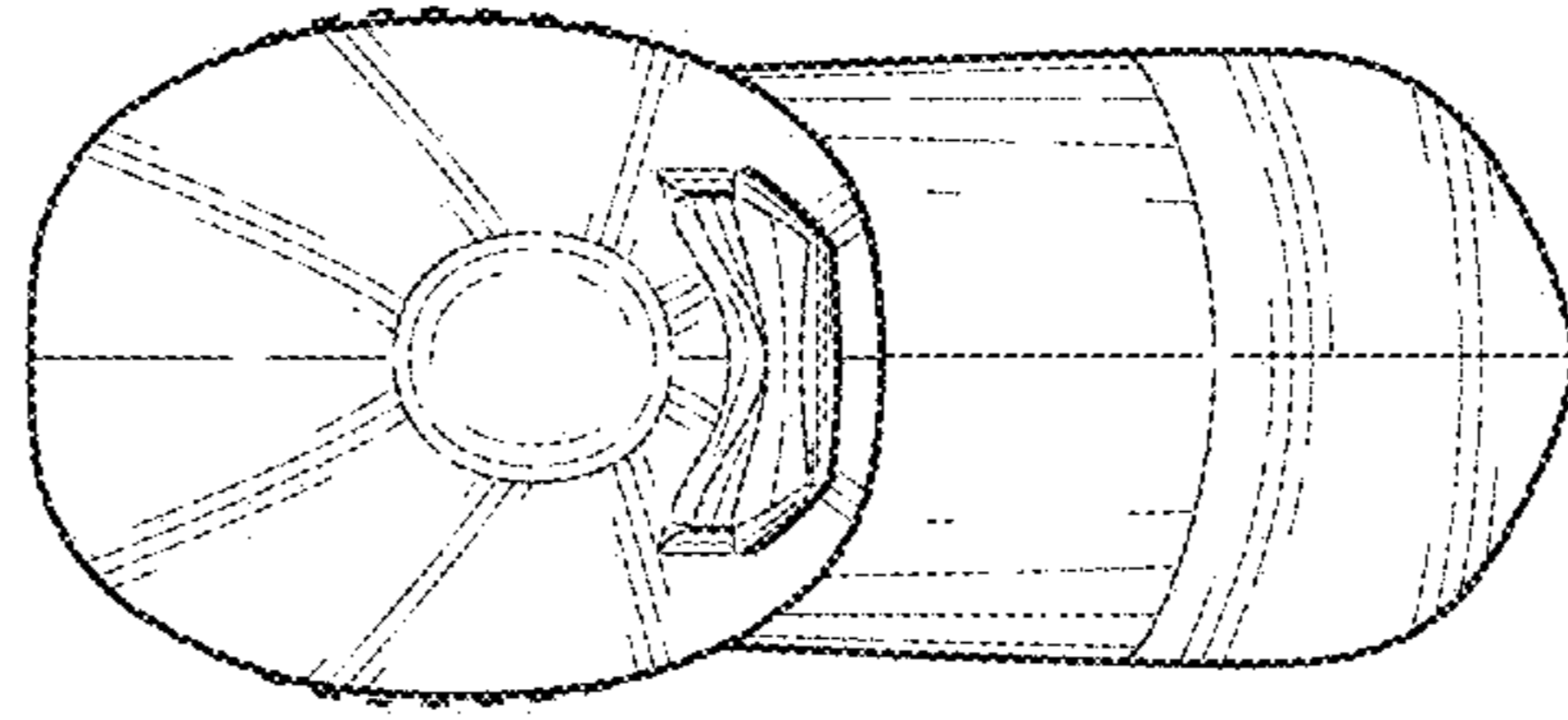


FIG. 19

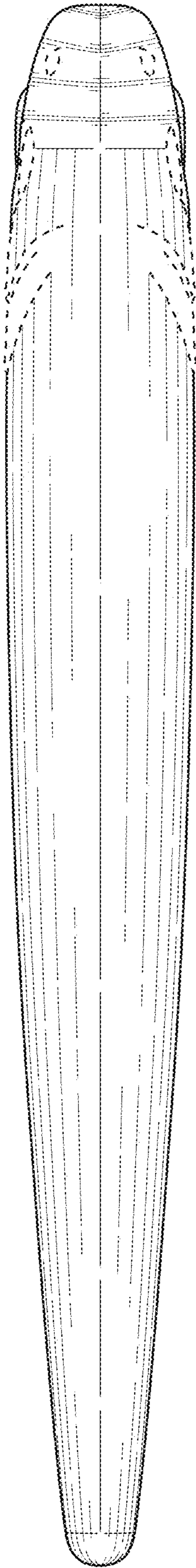


FIG. 20

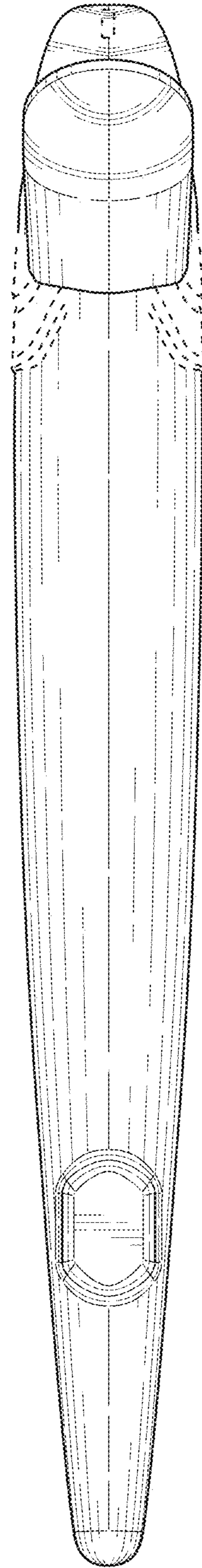


FIG. 21

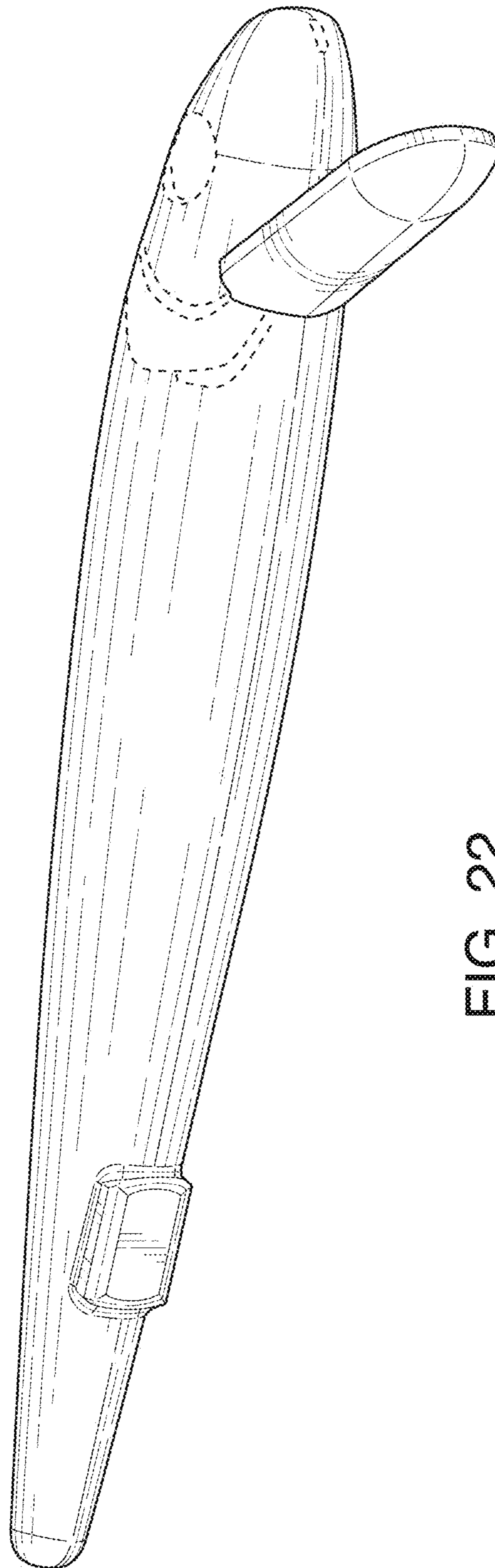


FIG. 22

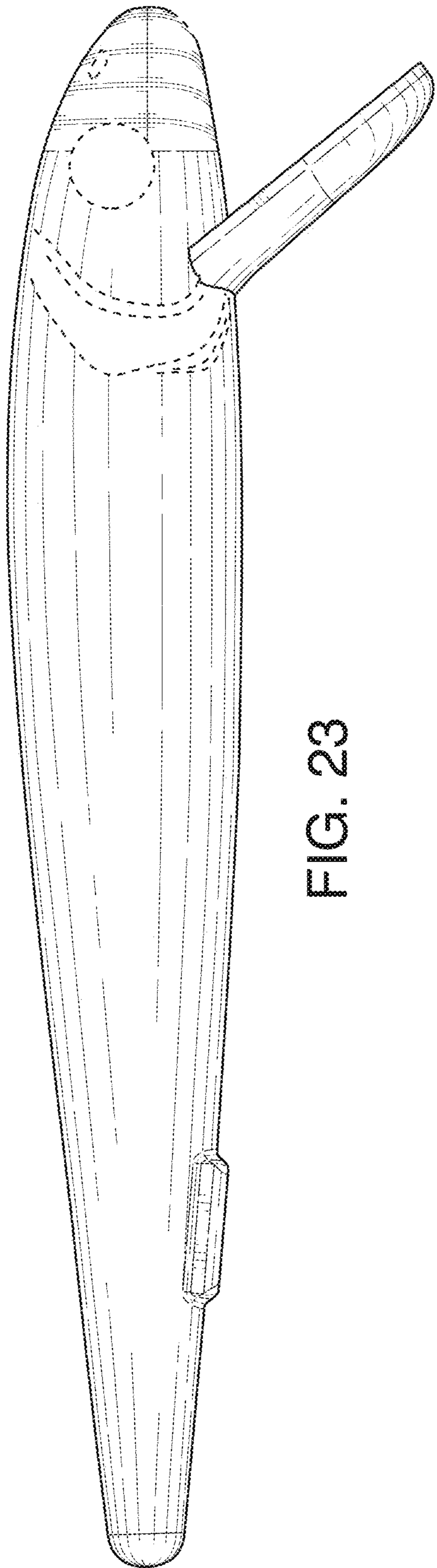


FIG. 23

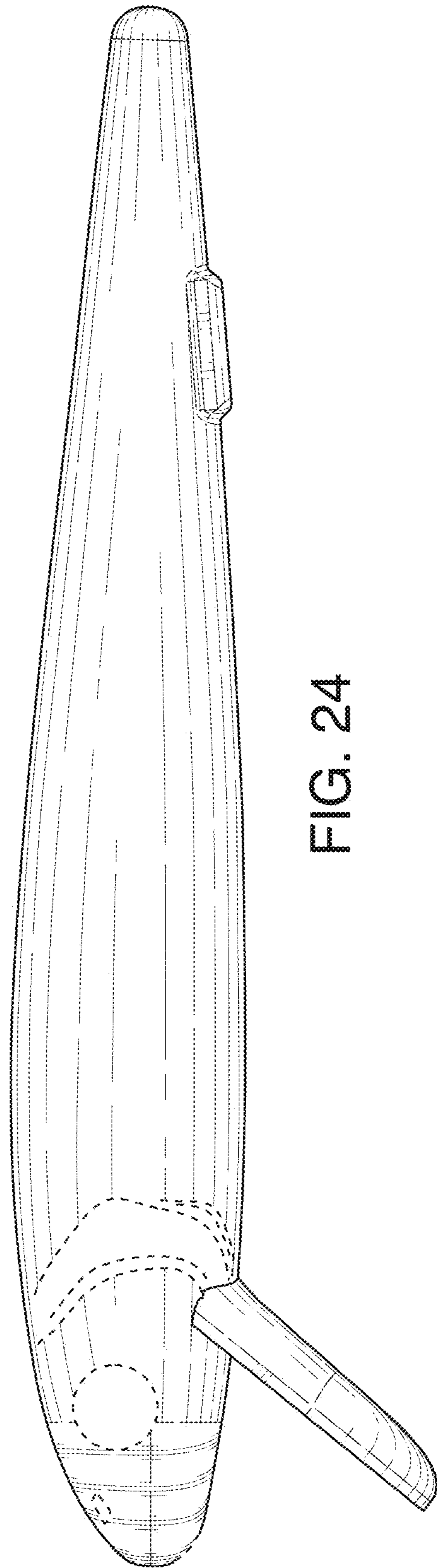


FIG. 24

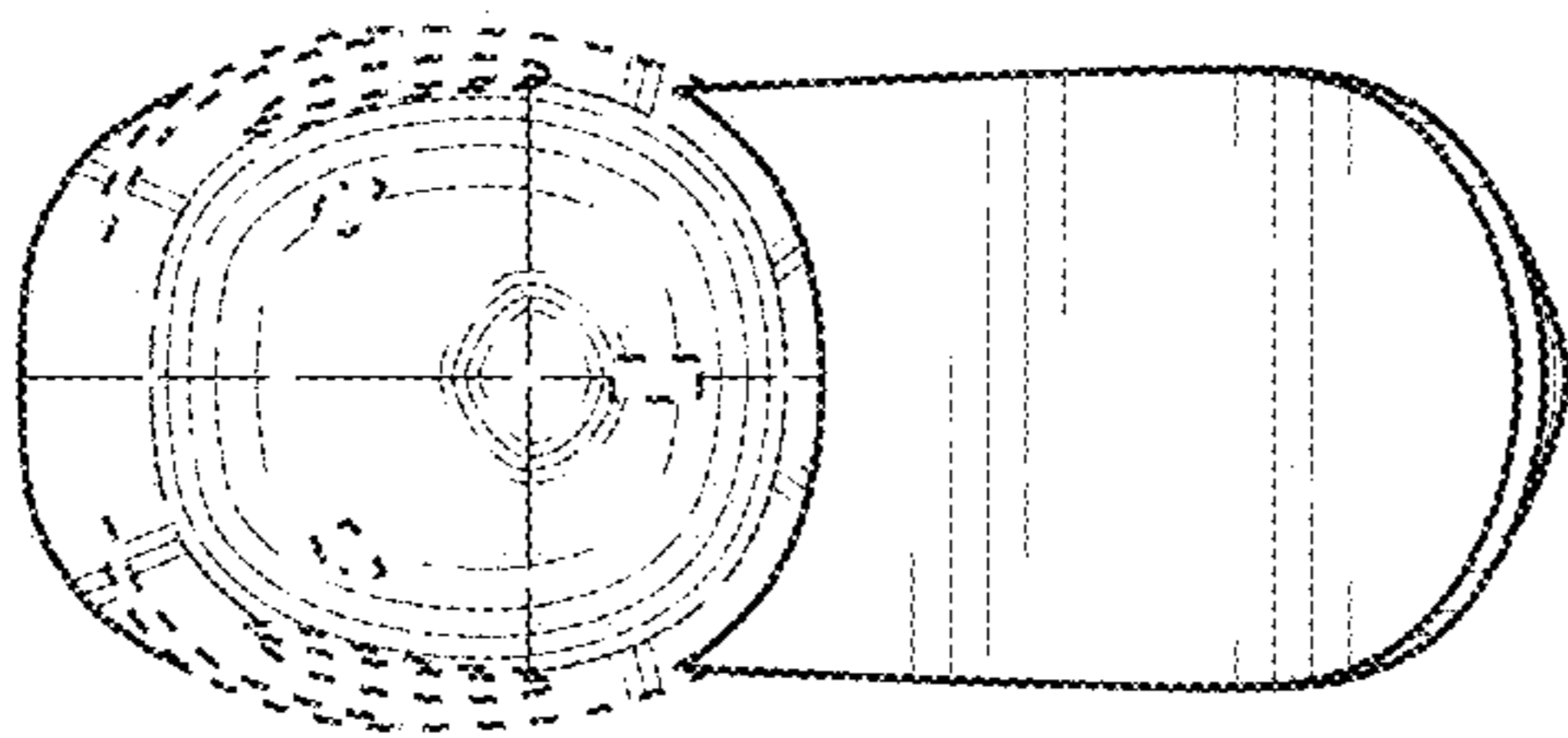


FIG. 25

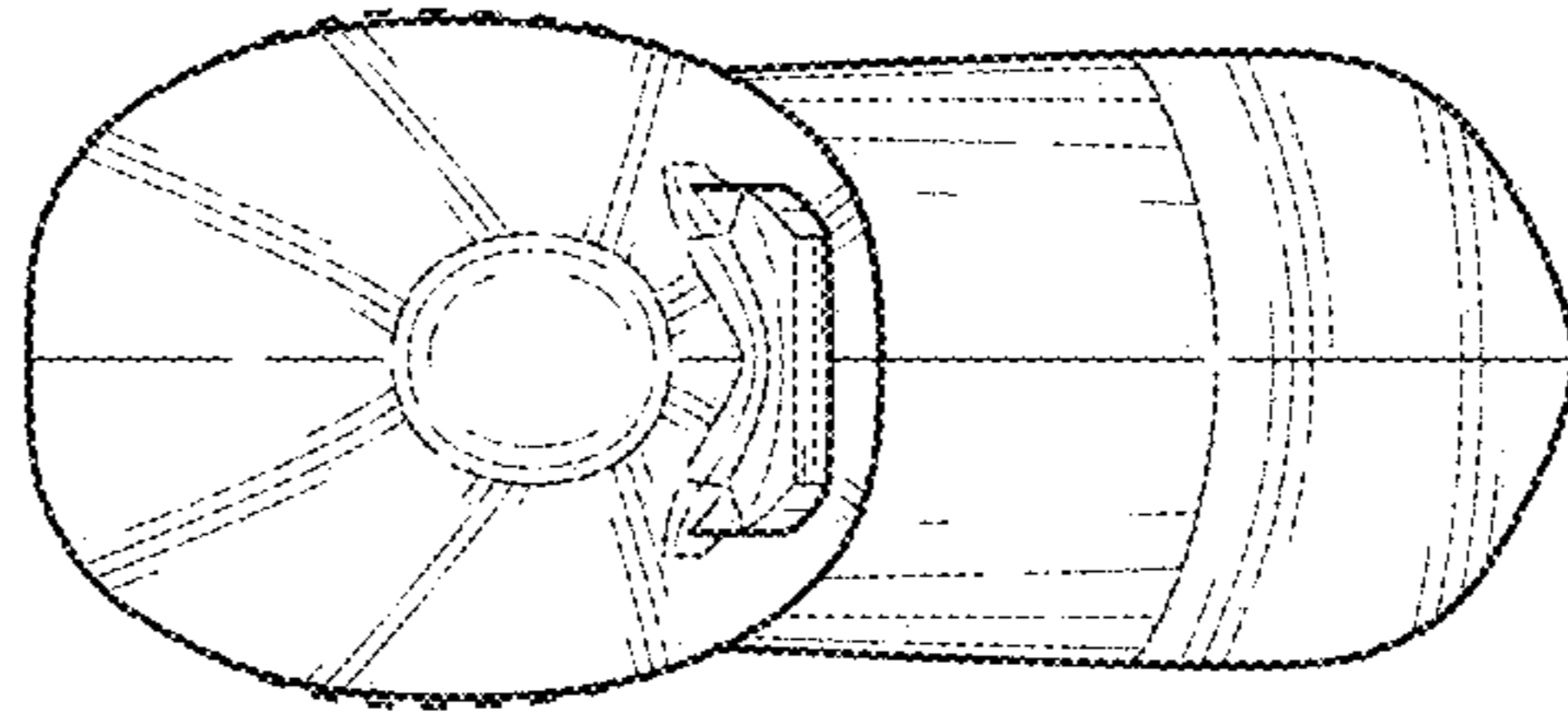


FIG. 26

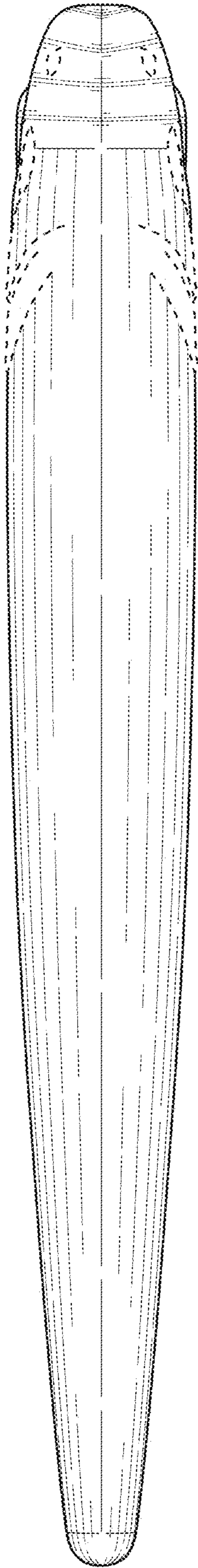


FIG. 27

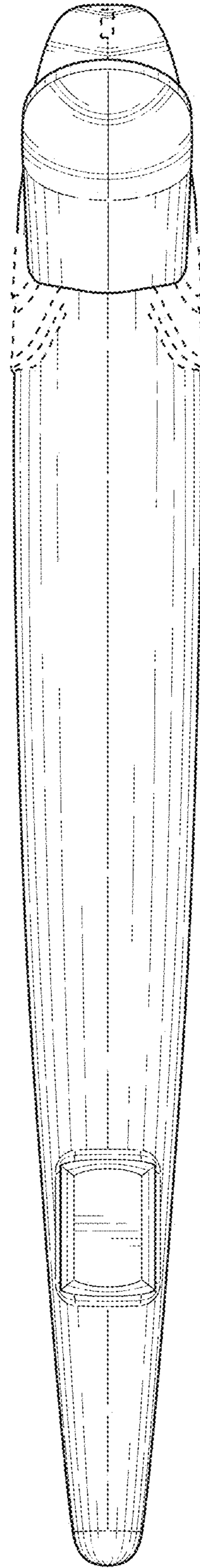


FIG. 28

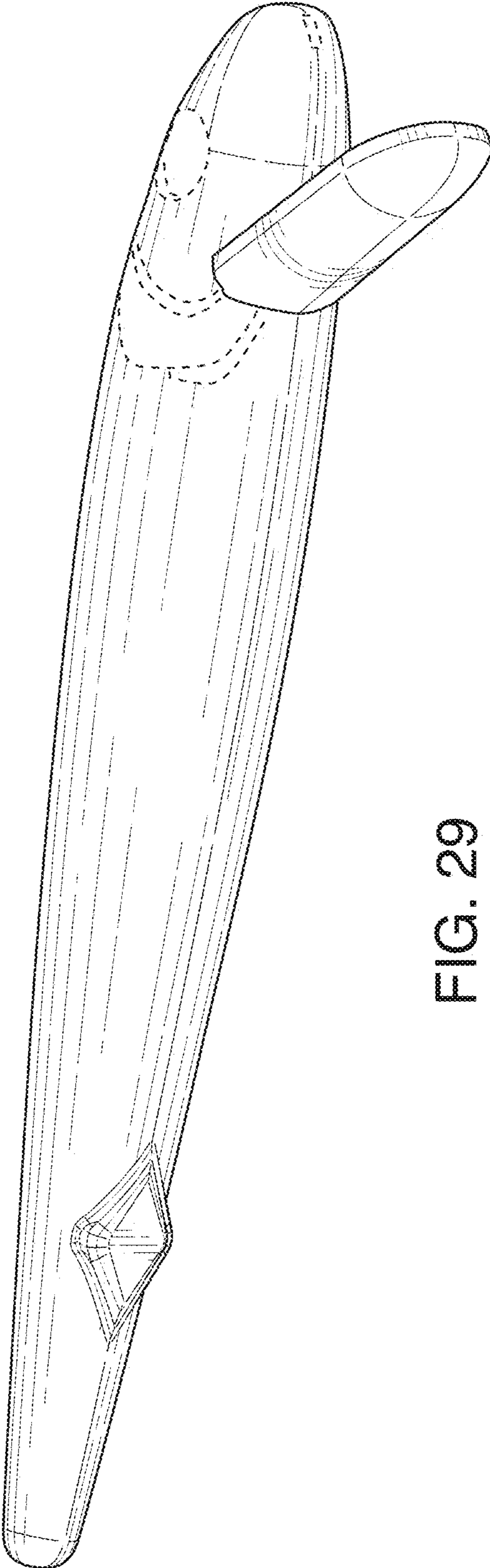


FIG. 29

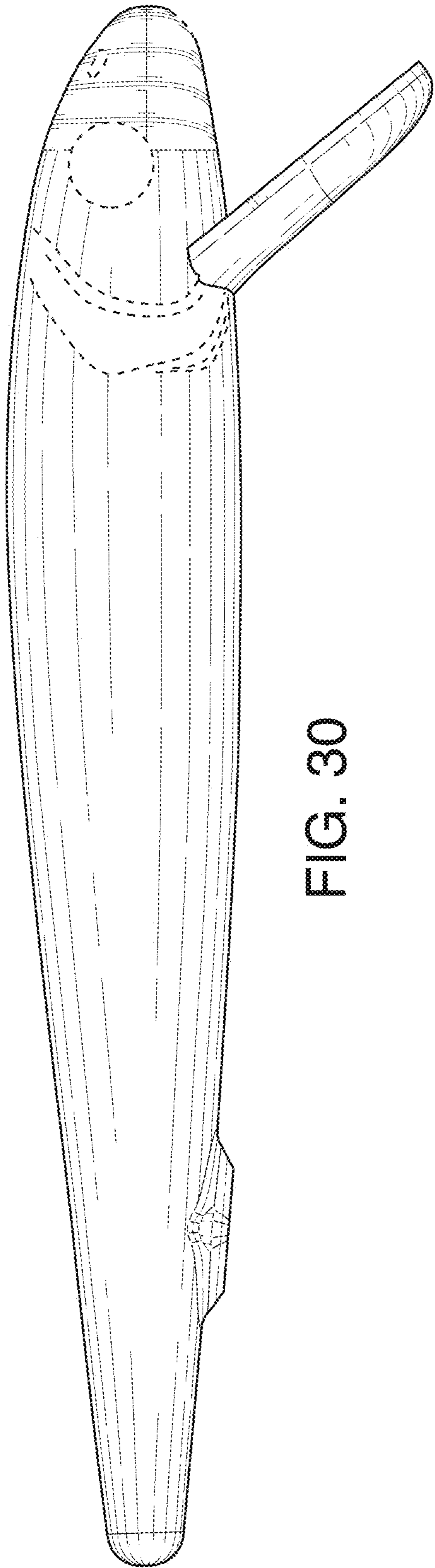


FIG. 30

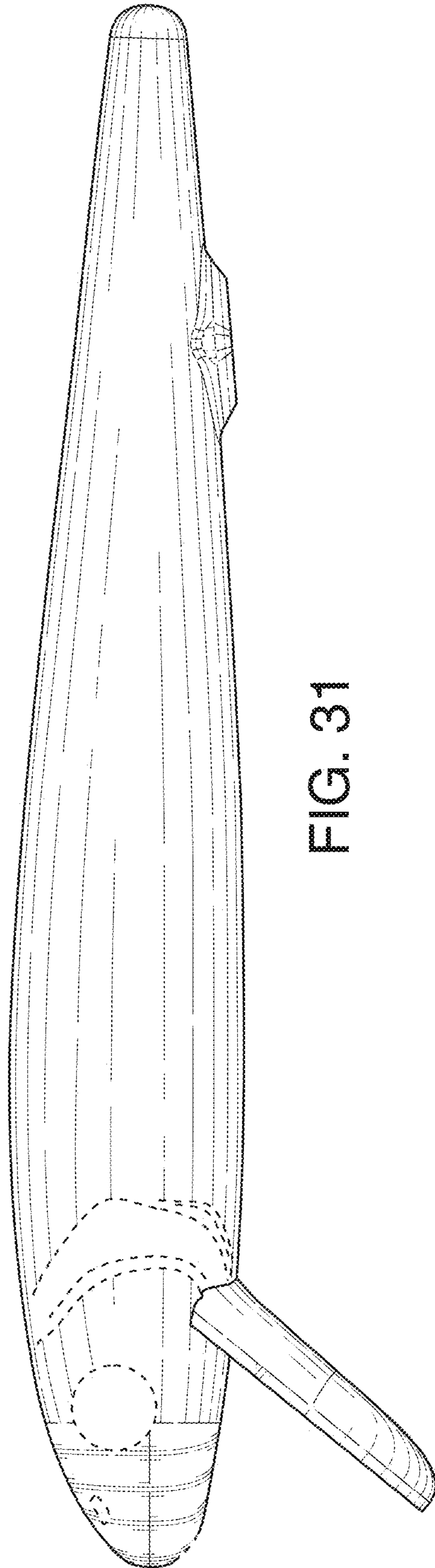


FIG. 31

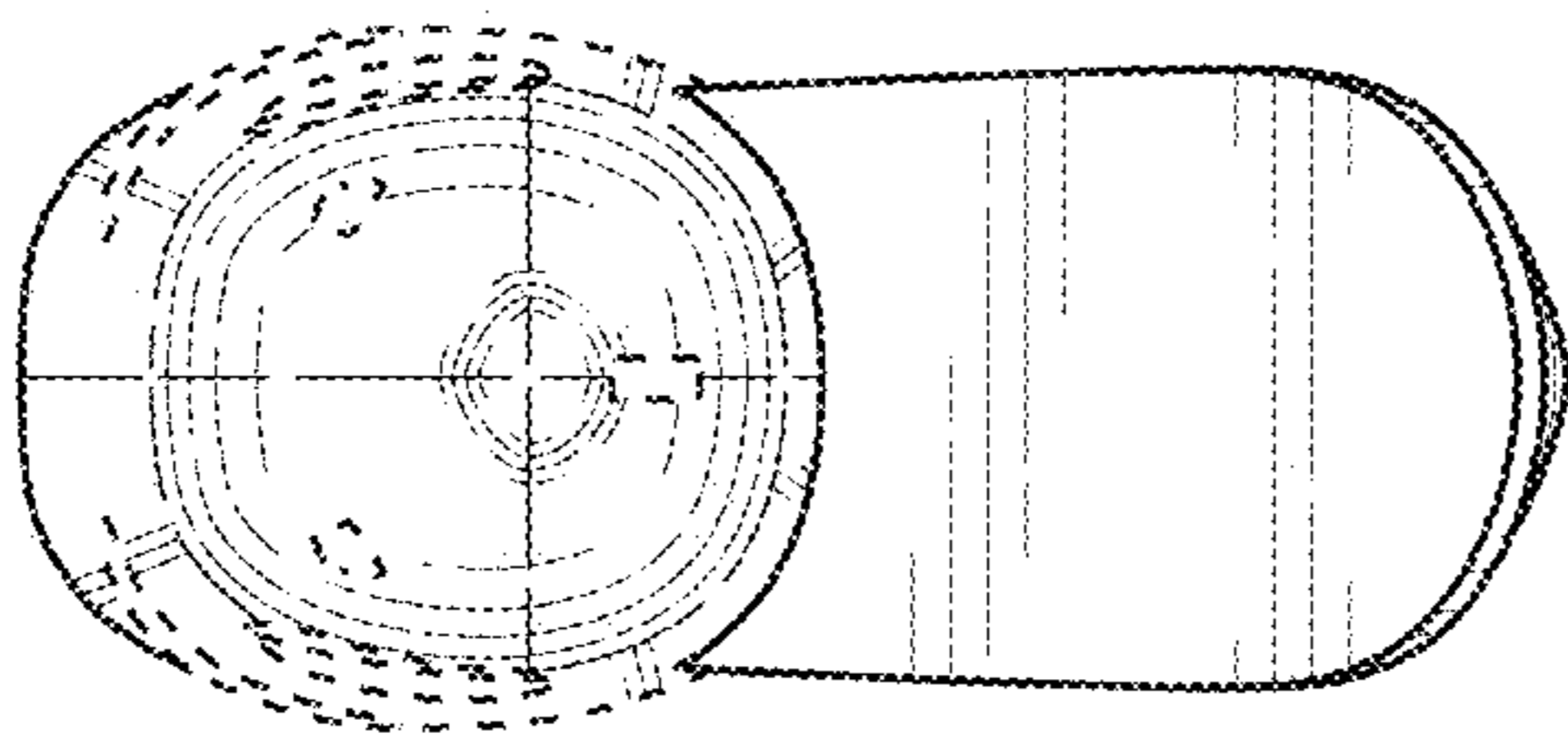


FIG. 32

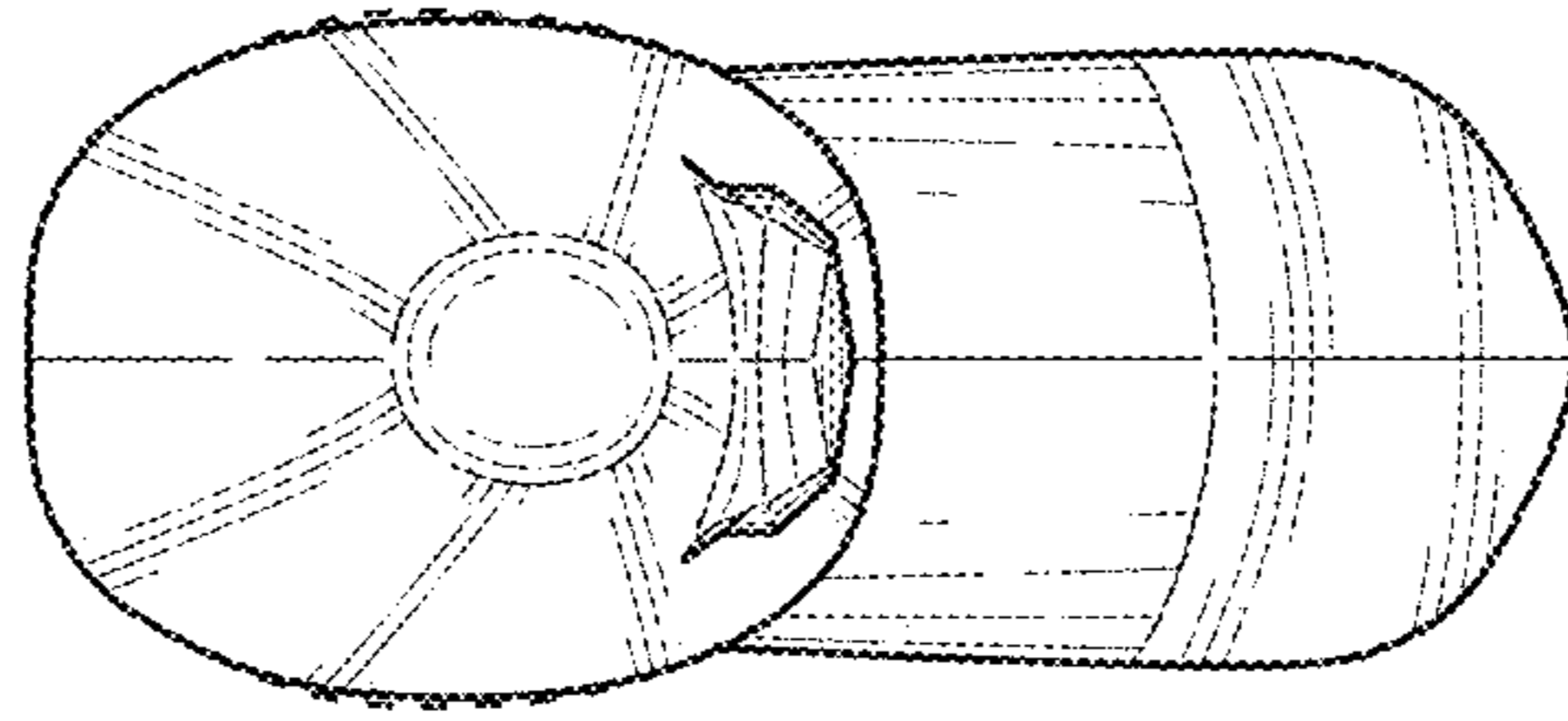


FIG. 33

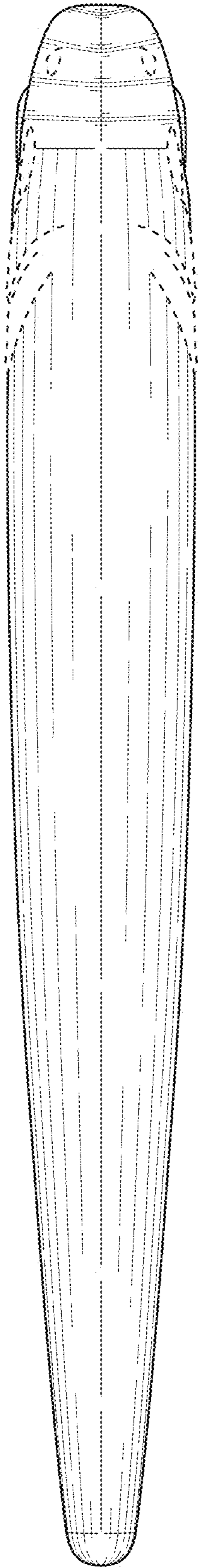


FIG. 34

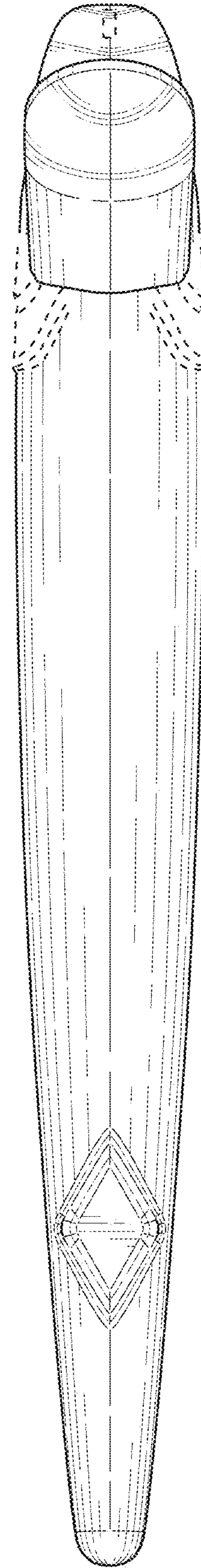


FIG. 35