



US00D873374S

(12) **United States Design Patent**
Gibson

(10) **Patent No.:** **US D873,374 S**
(45) **Date of Patent:** **** Jan. 21, 2020**

- (54) **FLASHER**
- (71) Applicant: **Rapala VMC Corporation**, Helsinki (FI)
- (72) Inventor: **Stephen Elliott Gibson**, Columbia, SC (US)
- (73) Assignee: **Rapala VMC Corporation**, Helsinki (FI)
- (**) Term: **15 Years**
- (21) Appl. No.: **29/664,852**
- (22) Filed: **Sep. 28, 2018**
- (51) **LOC (12) Cl.** **22-05**
- (52) **U.S. Cl.**
USPC **D22/129**
- (58) **Field of Classification Search**
USPC D22/129; 43/42.06, 42.5, 42.34, 42.16,
43/42.46, 42.47, 43.13, 42.31, 42.32,
43/45.51
CPC A01K 85/00; A01K 85/14; A01K 91/00;
A01K 91/06; A01K 91/065
See application file for complete search history.

3,175,324 A *	3/1965	Blackwell	A01K 85/14 43/42.03
3,656,253 A	4/1972	Gaunt	
4,041,636 A *	8/1977	Folker	A01K 91/06 43/42.31
4,201,006 A	5/1980	Wetherald	
4,936,042 A	6/1990	Causey	
D453,811 S *	2/2002	Hobson	D22/129
D515,655 S *	2/2006	Bechhold	D22/129
D516,663 S *	3/2006	Pool	D22/129
D658,739 S *	5/2012	Thomson	D22/129
D691,695 S *	10/2013	Egley	D22/129
D746,939 S *	1/2016	Thomson	D22/129

* cited by examiner

Primary Examiner — Catherine R Oliver-Garcia
(74) *Attorney, Agent, or Firm* — Dority & Manning, P.A.

(57) **CLAIM**

The ornamental design for a flasher, as shown and described.

DESCRIPTION

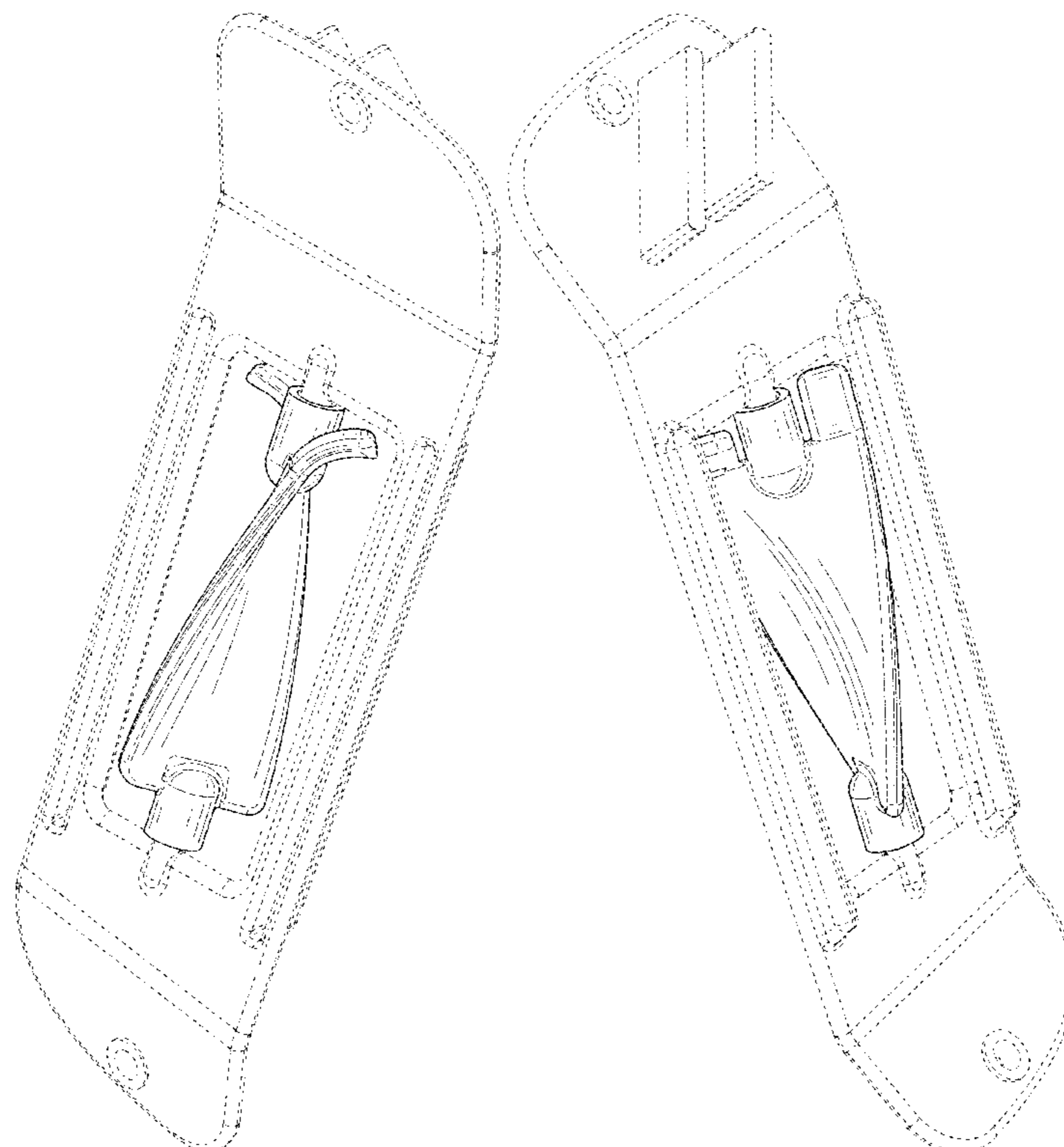
FIG. 1 is a perspective view of the flasher according to an aspect of the present invention;
 FIG. 2 is another perspective view of the flasher of FIG. 1;
 FIG. 3 is a top view of the flasher of FIG. 1;
 FIG. 4 is a bottom view of the flasher of FIG. 1;
 FIG. 5 is a side view of the flasher of FIG. 1;
 FIG. 6 is another side view of the flasher of FIG. 1;
 FIG. 7 is a front view of the flasher of FIG. 1; and,
 FIG. 8 is a rear view of flasher of FIG. 1.
 The broken lines shown in the Figures represent portions of the flasher that form no part of the claimed design.

1 Claim, 7 Drawing Sheets

(56) **References Cited**

U.S. PATENT DOCUMENTS

- 1,422,457 A * 7/1922 McClanahan A01K 85/14
43/42.06
- 2,891,344 A 6/1956 Hottowe



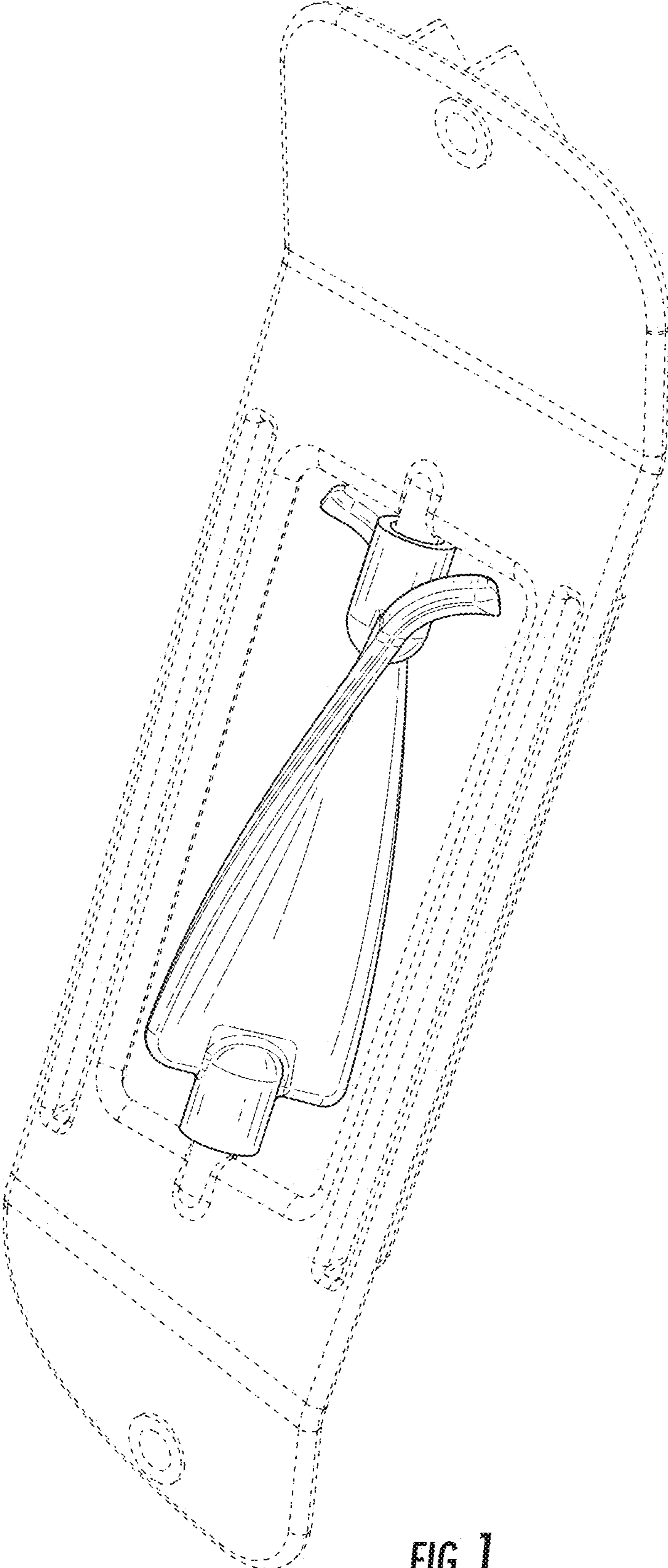


FIG. 1

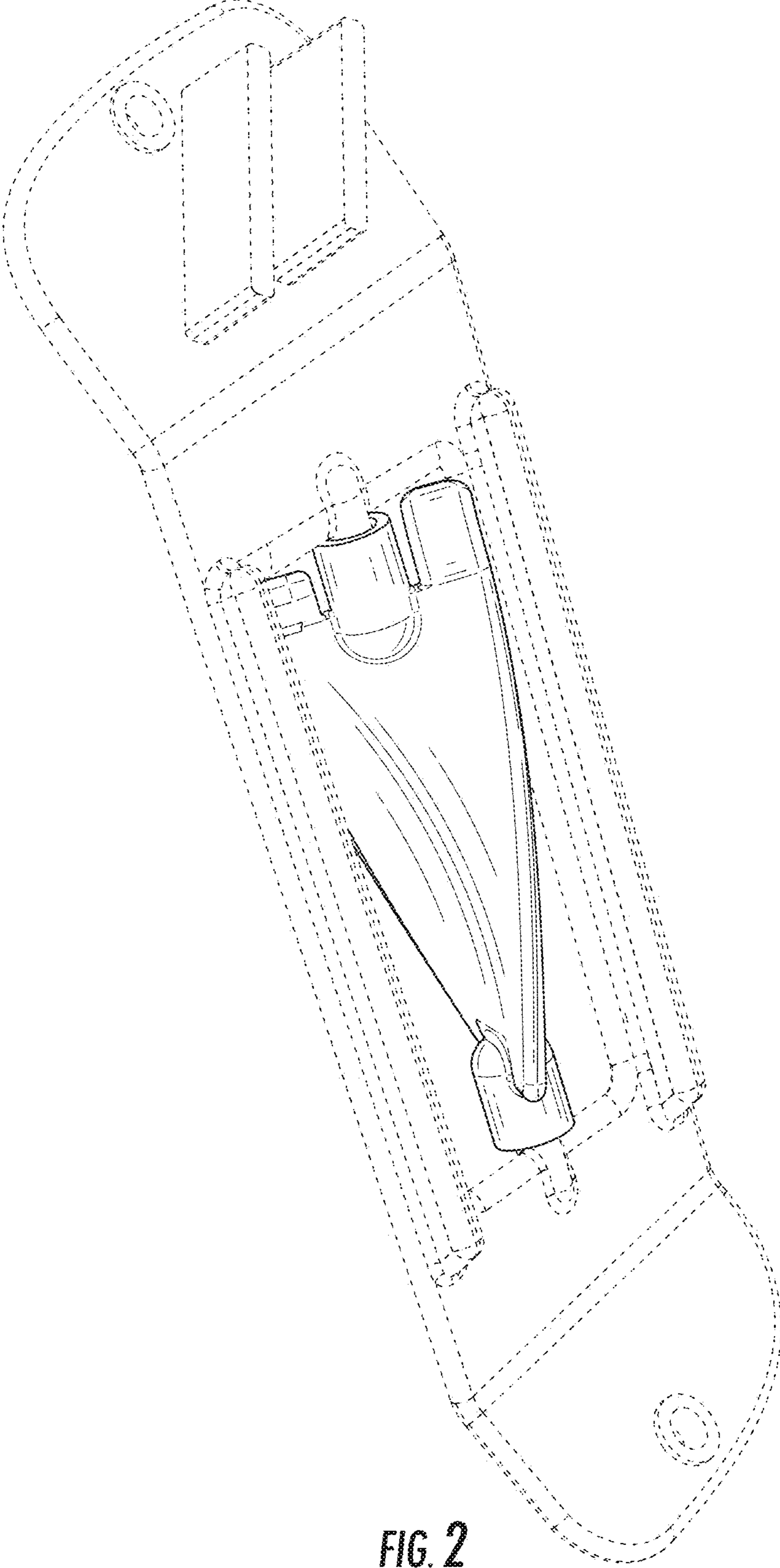


FIG. 2

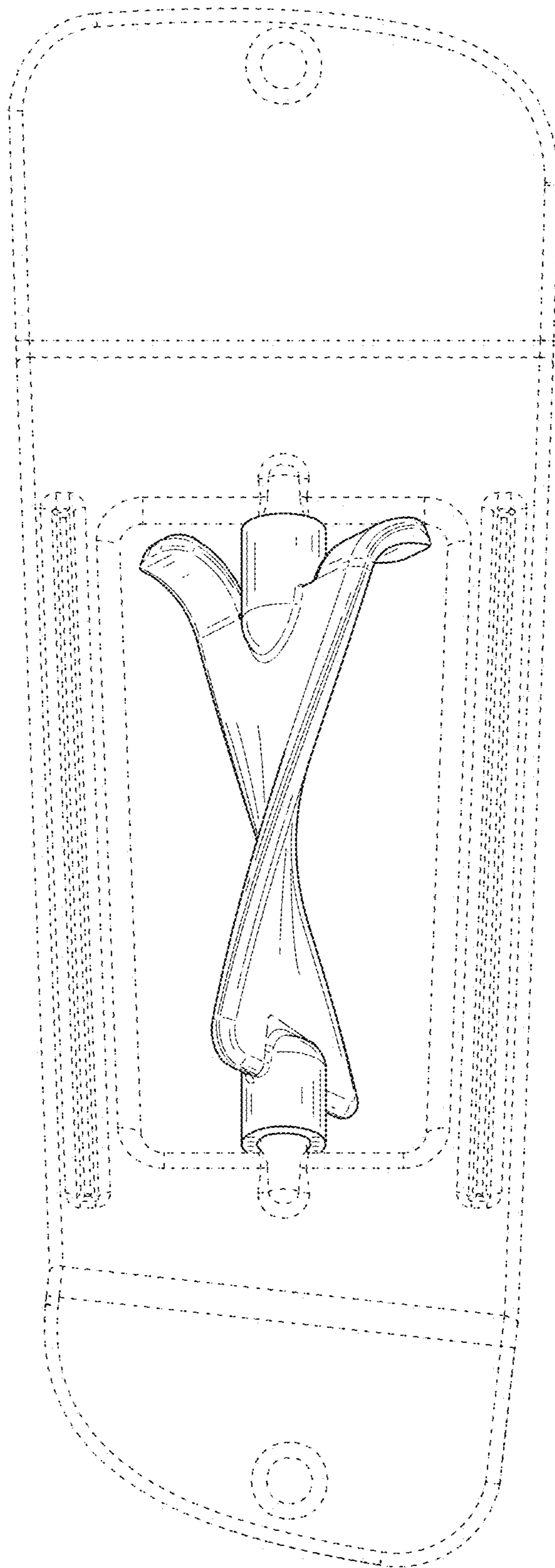


FIG. 3

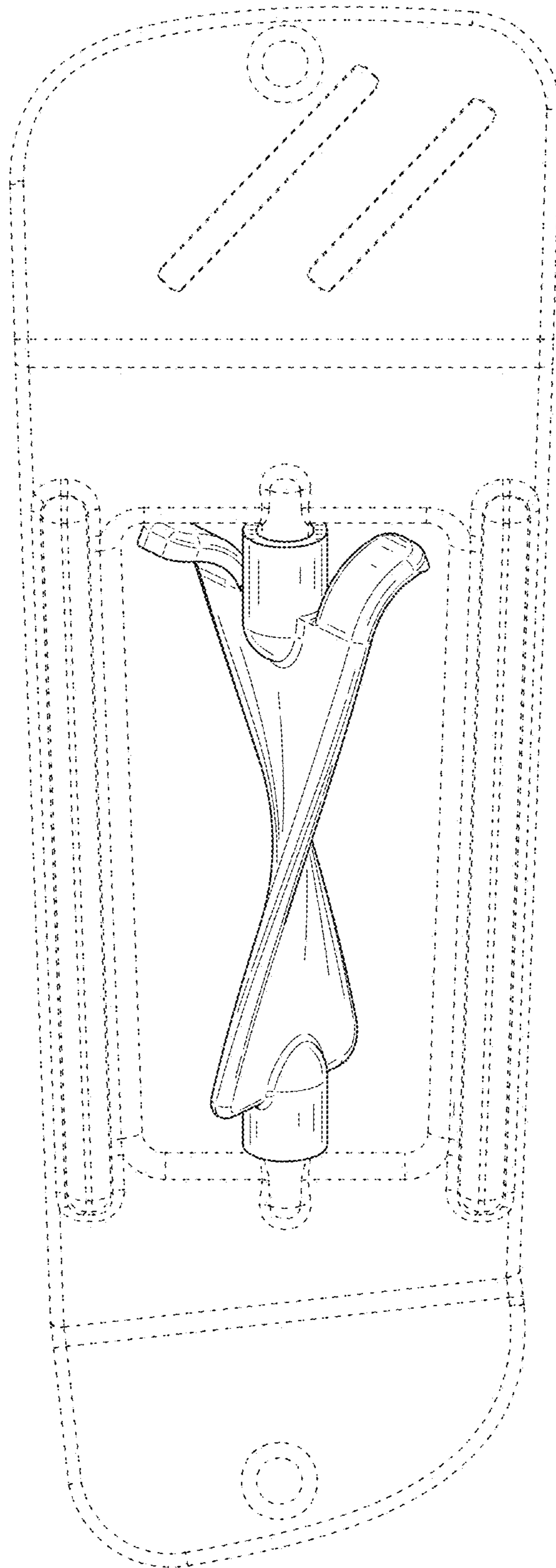


FIG. 4

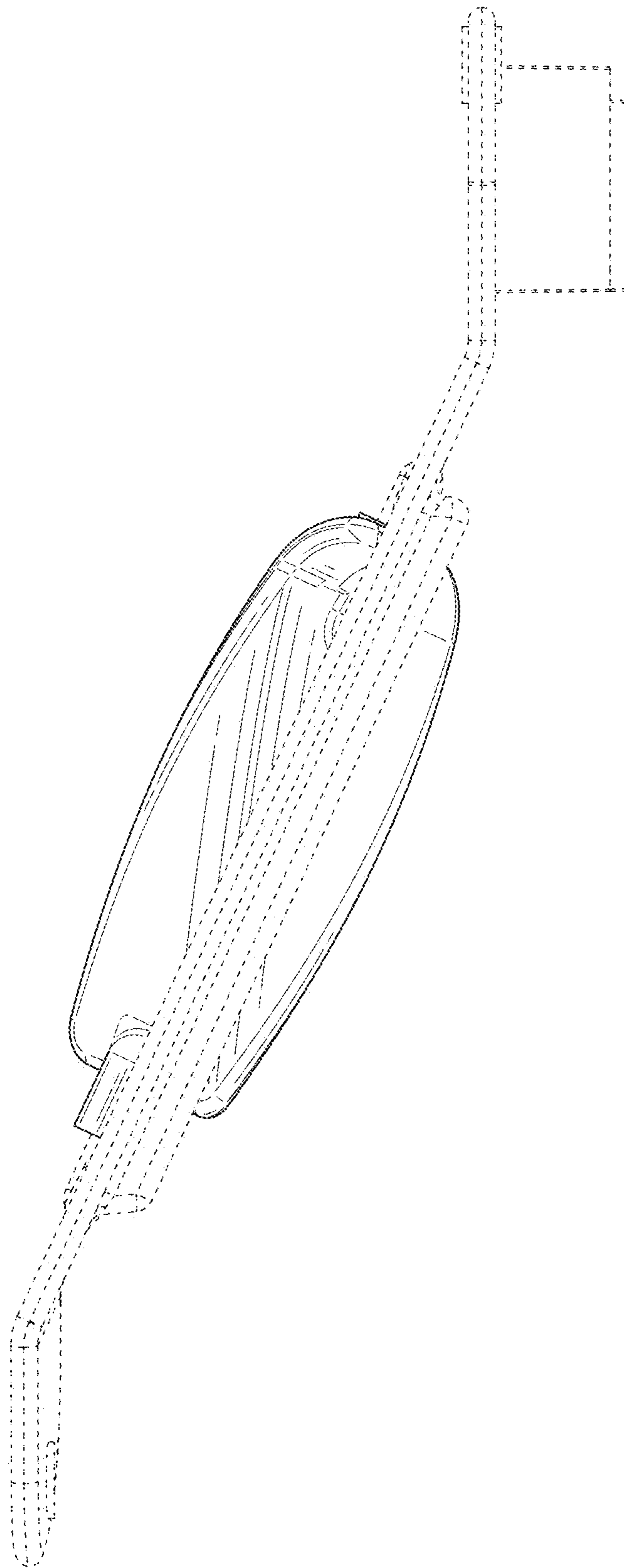


FIG. 5

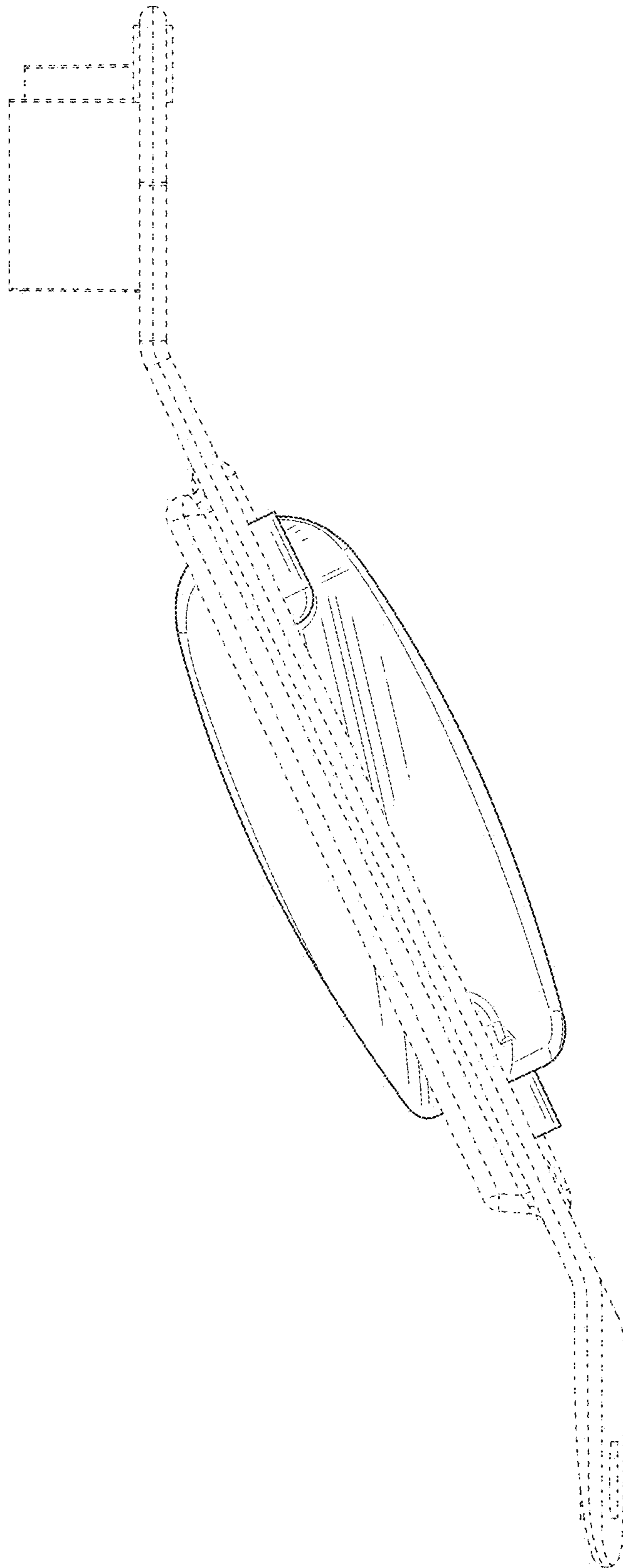


FIG. 6

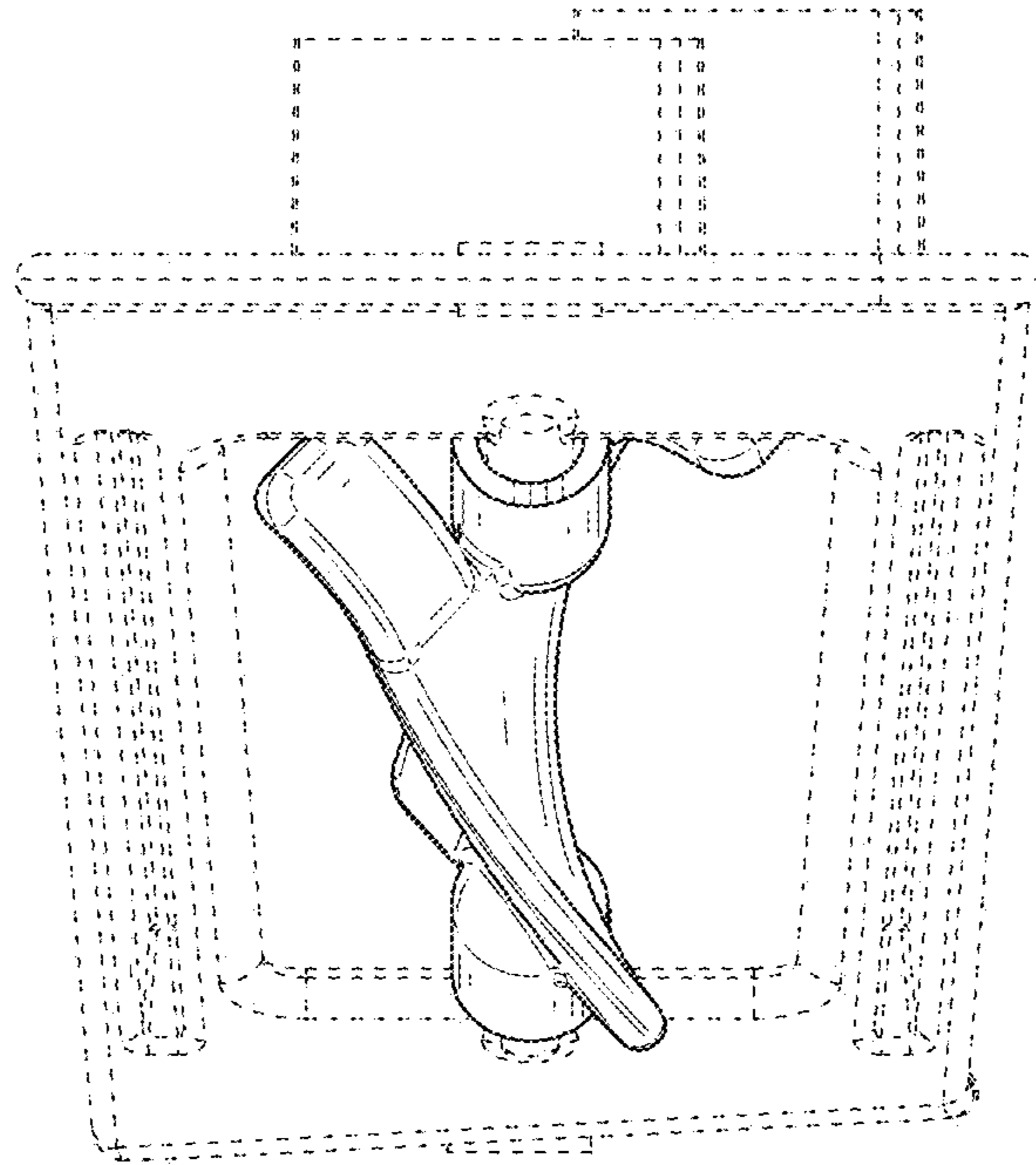


FIG. 7

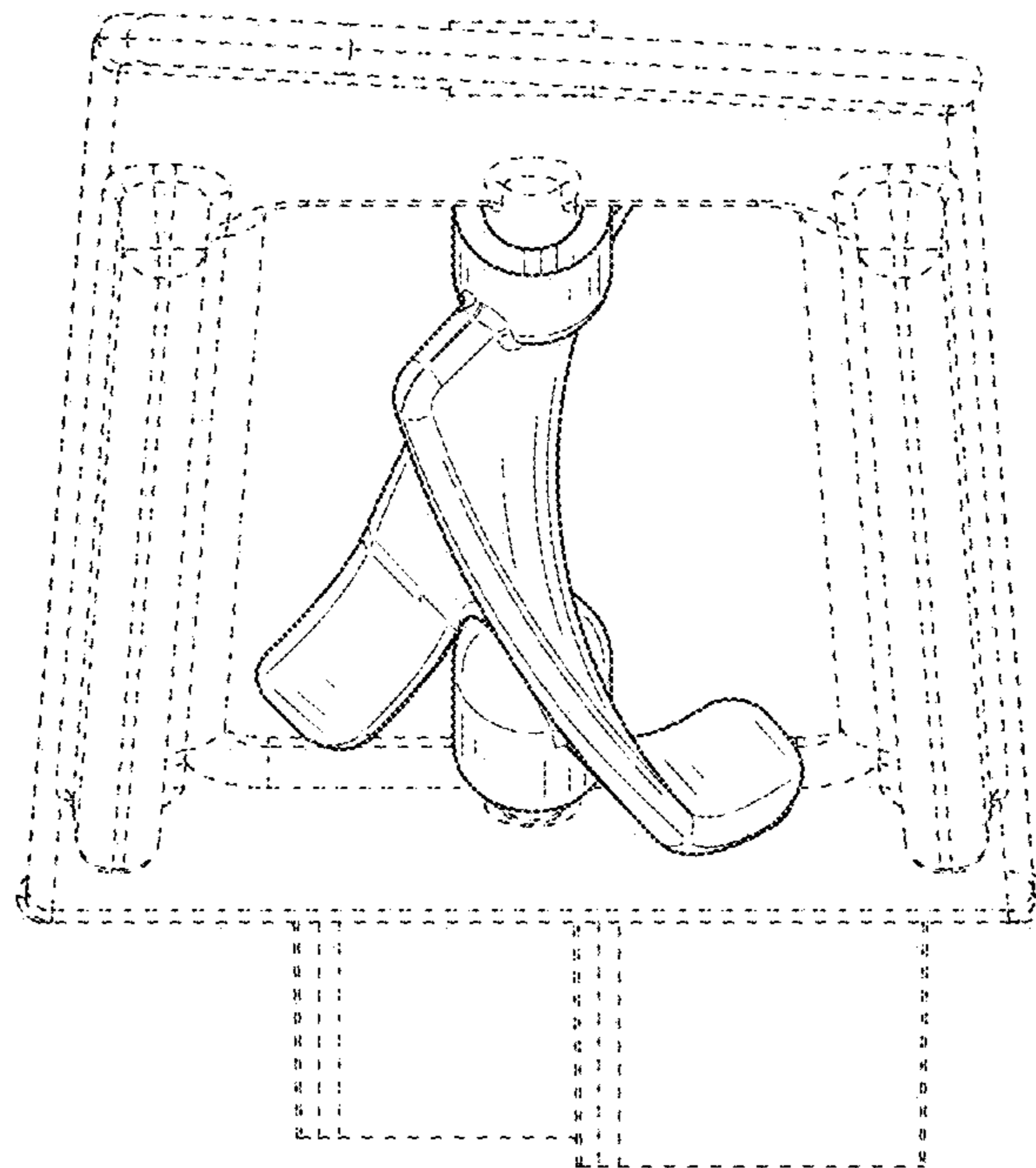


FIG. 8