

US00D873373S

(12) **United States Design Patent**
Hartman et al.

(10) **Patent No.:** **US D873,373 S**
(45) **Date of Patent:** **** Jan. 21, 2020**

(54) **PERFORATING GUN CONTACT DEVICE**

(71) Applicant: **OSO Perforating, LLC**, Oklahoma City, OK (US)

(72) Inventors: **Tobias D. Hartman**, Irving, TX (US);
Jeremy J. Ursi, Carrollton, TX (US)

(73) Assignee: **OSO Perforating, LLC**, Oklahoma City, OK (US)

(**) Term: **15 Years**

(21) Appl. No.: **29/657,525**

(22) Filed: **Jul. 23, 2018**

(51) **LOC (12) Cl.** **22-03**

(52) **U.S. Cl.**
USPC **D22/112**

(58) **Field of Classification Search**
USPC D8/354, 358, 382; D12/197; D15/126,
D15/138, 139; D22/100, 112, 115, 119,
D22/199
CPC E21B 43/116; E21B 43/1185; F42D 1/05;
F42D 1/06
See application file for complete search history.

(56) **References Cited**

U.S. PATENT DOCUMENTS

4,100,978	A *	7/1978	Boop	E21B 43/1185 102/306
5,042,594	A *	8/1991	Gonzalez	E21B 43/1185 175/4.55
5,347,929	A	9/1994	Lerche et al.		
5,531,164	A	7/1996	Mosley		
5,603,379	A	2/1997	Henke et al.		
5,714,709	A	2/1998	Schillinger et al.		
5,780,764	A *	7/1998	Welch	F42D 1/043 102/275.4
5,803,175	A	9/1998	Myers, Jr. et al.		
D415,813	S *	10/1999	O'Quinn	D22/100
D417,252	S *	11/1999	Kay	D22/100

6,055,213	A *	4/2000	Rubbo	E21B 41/00 175/40
D477,554	S	7/2003	Keefer et al.		
D479,736	S *	9/2003	Sanner	D22/116
6,851,471	B2	2/2005	Barlow et al.		

(Continued)

FOREIGN PATENT DOCUMENTS

CA		2834390	A1 *	11/2012	F42C 11/06
WO		WO2016186611	A1	11/2016		
WO		WO2018030996	A1	2/2018		

Primary Examiner — Brett Miller

Assistant Examiner — Fritzgerald L Butac

(74) *Attorney, Agent, or Firm* — Fish & Richardson P.C.

(57) **CLAIM**

The ornamental design for a perforating gun contact device, as shown and described.

DESCRIPTION

FIG. 1 is a top, left perspective view of a perforating gun contact device according to a first embodiment.

FIG. 2 is a top, right perspective view of the perforating gun contact device of FIG. 1.

FIG. 3 is a right view of the perforating gun contact device of FIG. 1.

FIG. 4 is a left view of the perforating gun contact device of FIG. 1.

FIG. 5 is a front view of the perforating gun contact device of FIG. 1.

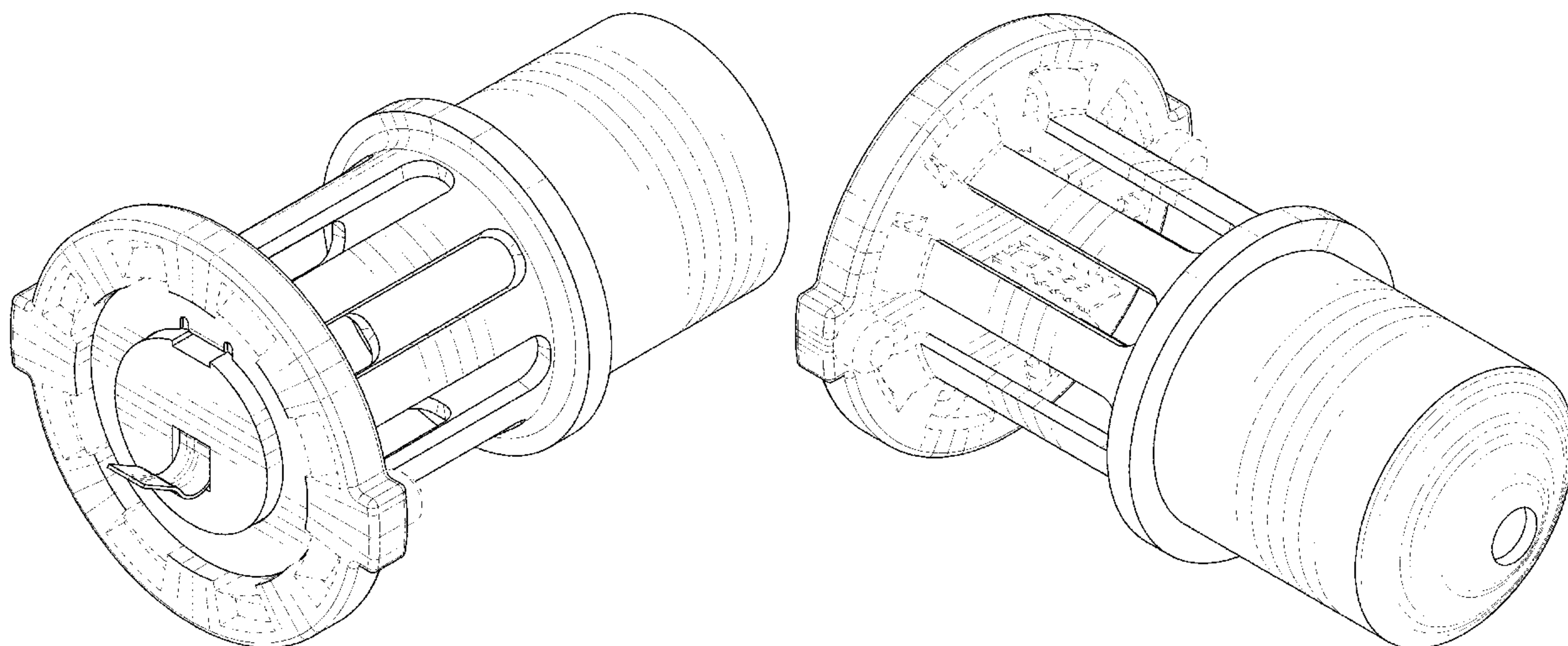
FIG. 6 is a back view of the perforating gun contact device of FIG. 1.

FIG. 7 is a top view of the perforating gun contact device of FIG. 1; and,

FIG. 8 is a bottom view of the perforating gun contact device of FIG. 1.

The broken lines depict unclaimed portions and form no part of the claimed design. Any portions not visible in the drawings form no part of the claimed design.

1 Claim, 8 Drawing Sheets



(56)

References Cited

U.S. PATENT DOCUMENTS

6,926,087 B1	8/2005	Henke et al.	D805,878 S	12/2017	Rassat
D511,366 S	11/2005	Brown	D805,883 S	12/2017	Evitt
6,959,765 B2	11/2005	Bell	D805,884 S	12/2017	Evitt
D566,640 S	4/2008	Holz et al.	D805,885 S	12/2017	Karmarkar et al.
7,530,397 B2	5/2009	Bell	D807,461 S *	1/2018	Cheng D22/108
7,536,942 B2	5/2009	Bell	D816,005 S	4/2018	Johns et al.
7,698,982 B2	4/2010	Bell	D820,823 S	6/2018	Ahn
D647,114 S	10/2011	Pearce et al.	D824,479 S	7/2018	Jen
D647,115 S	10/2011	Pearce et al.	D825,643 S	8/2018	Wengreen
RE43,120 E	1/2012	Popov	D829,080 S	9/2018	Hill
D653,523 S	2/2012	Wackwitz et al.	D832,094 S *	10/2018	Omori D8/397
8,136,439 B2	3/2012	Bell	D832,898 S	11/2018	Wetherell
8,191,445 B2	6/2012	Drivdahl et al.	D834,074 S	11/2018	Palushaj et al.
8,302,523 B2	11/2012	Bell	D834,077 S	11/2018	Monden
D681,078 S	4/2013	Heo	D834,078 S	11/2018	Monden
D681,704 S	5/2013	Stoyanov	D834,368 S	11/2018	Oas
D682,978 S	5/2013	Benson	D844,682 S	4/2019	Karol et al.
8,770,301 B2	7/2014	Bell	D845,358 S	4/2019	Geldenhuis et al.
8,875,787 B2	11/2014	Tassaroli	D845,745 S	4/2019	Kasahara
9,074,429 B2 *	7/2015	Pearce E21B 10/02	D846,008 S	4/2019	Geldenhuis et al.
9,145,764 B2	9/2015	Burton et al.	10,244,914 B2	4/2019	Tchakarov
9,175,553 B2	11/2015	McCann et al.	2007/0164031 A1 *	7/2007	Holz B60K 15/0406 220/300
9,194,219 B1	11/2015	Hardesty et al.	2007/0169524 A1	7/2007	Tharp et al.
9,291,040 B1	3/2016	Hardesty et al.	2012/0199352 A1 *	8/2012	Lanclos E21B 43/1185 166/297
9,303,961 B1 *	4/2016	Frericks F42B 1/028	2013/0000472 A1 *	1/2013	Mhaskar E21B 43/117 89/1.151
D760,308 S	6/2016	Krishnegowda et al.	2013/0174755 A1	7/2013	DeVries et al.
D761,393 S	7/2016	Crochet et al.	2015/0226044 A1 *	8/2015	Ursi E21B 43/119 166/55
D765,214 S	8/2016	Peadgett	2016/0002985 A1	1/2016	Baudoin et al.
D766,704 S	9/2016	Hill	2016/0263993 A1	9/2016	Loffink
9,441,465 B2	9/2016	Tassaroli	2016/0290084 A1 *	10/2016	LaGrange E21B 29/02
D775,933 S	1/2017	Hill	2016/0298404 A1 *	10/2016	Beckett E21B 33/12
D775,934 S	1/2017	Hill	2016/0333676 A1	11/2016	Hardesty
D782,180 S *	3/2017	Eberhard D3/18	2017/0184379 A1 *	6/2017	Barzilai F42B 4/20
D792,549 S *	7/2017	McKillips D22/108	2017/0211363 A1 *	7/2017	Bradley F42B 3/08
9,702,680 B2	7/2017	Parks et al.	2017/0241244 A1 *	8/2017	Barker E21B 43/117
D795,606 S	8/2017	Cudworth	2017/0268860 A1	9/2017	Eitschberger
D795,682 S	8/2017	Downs	2017/0298716 A1 *	10/2017	McConnell E21B 43/119
D797,168 S	9/2017	Ruan	2019/0085664 A1 *	3/2019	Hardesty E21B 43/116
9,752,421 B2	9/2017	LeGrange et al.			
D799,702 S	10/2017	Wong et al.			

* cited by examiner

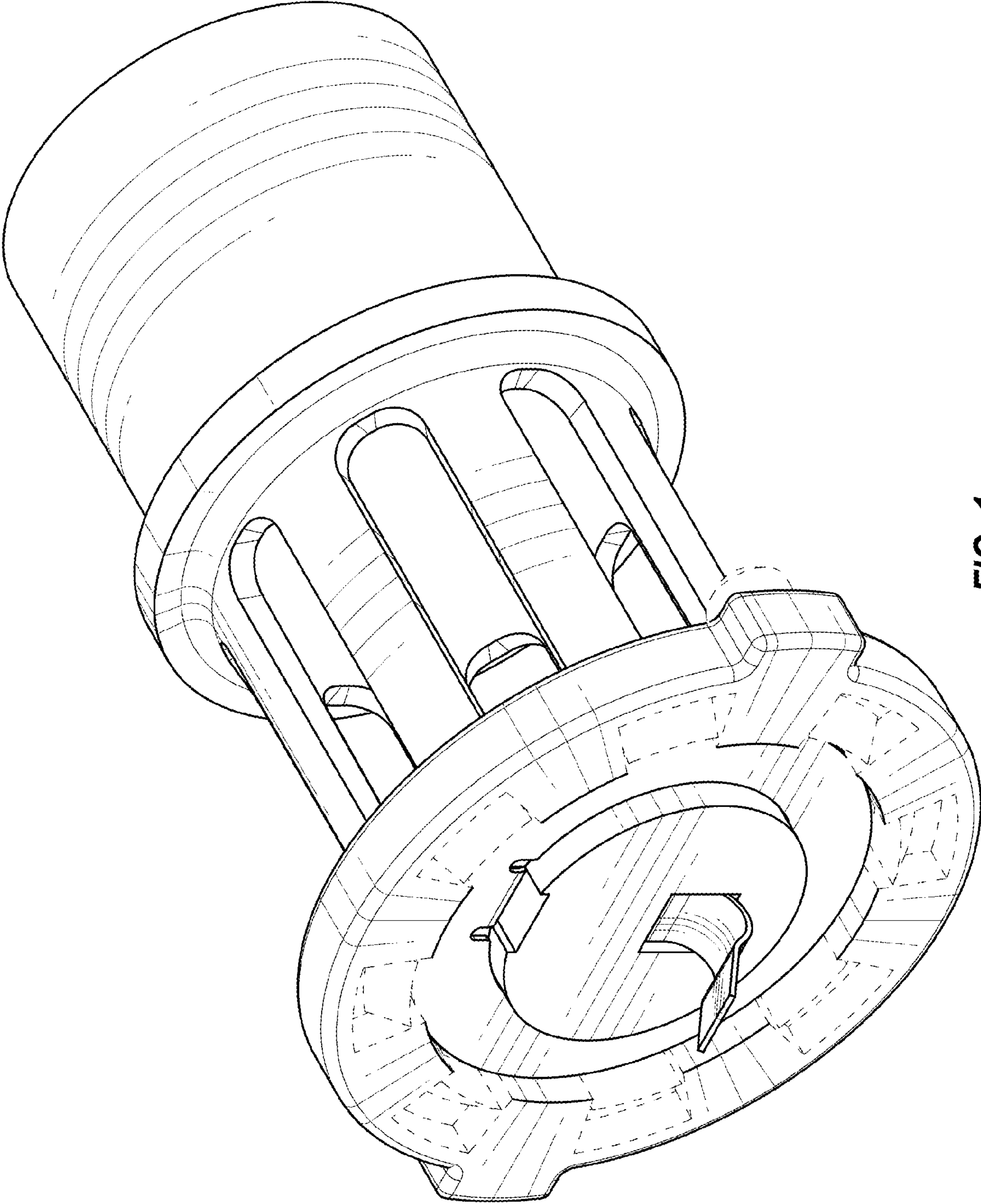


FIG. 1

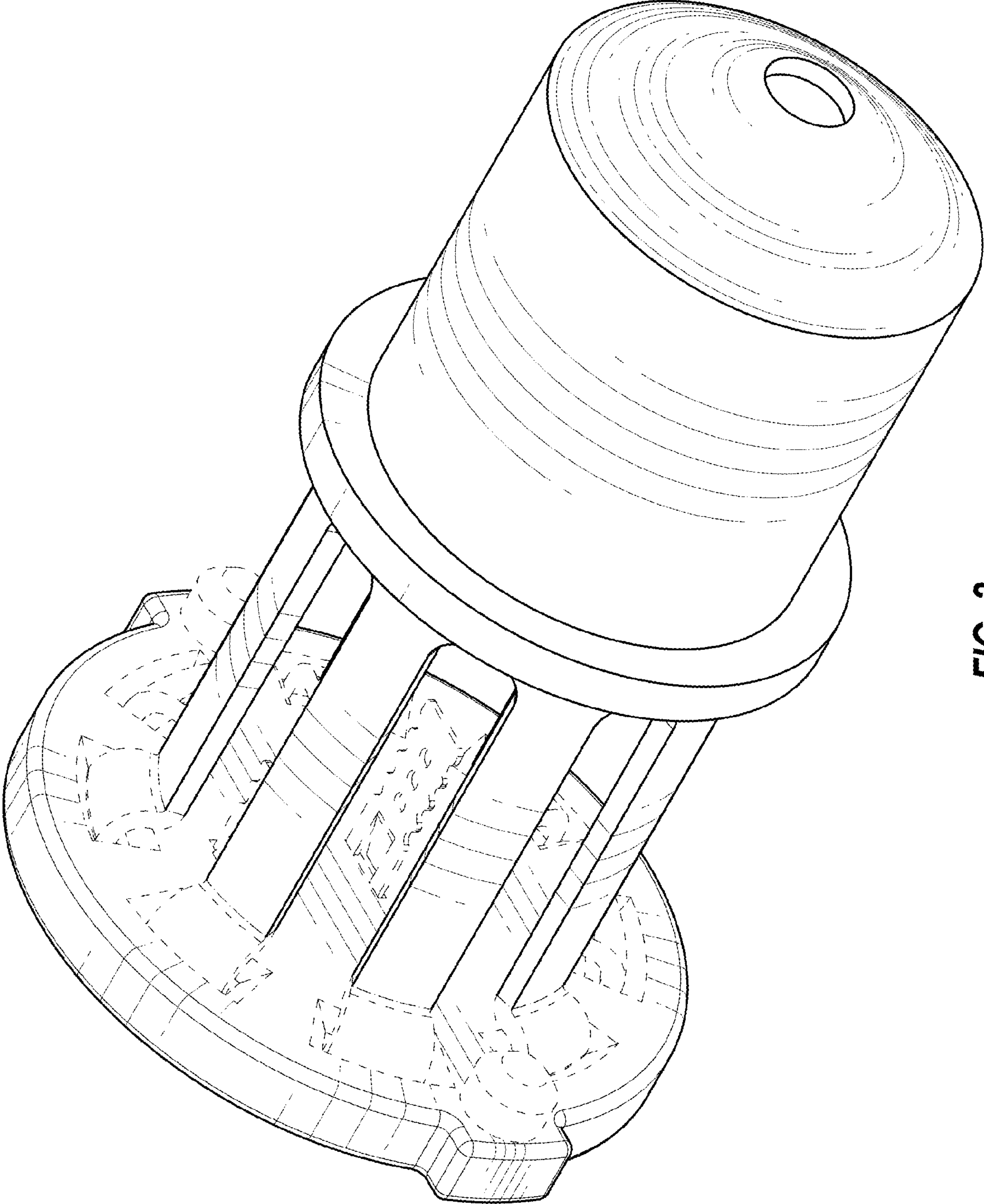


FIG. 2

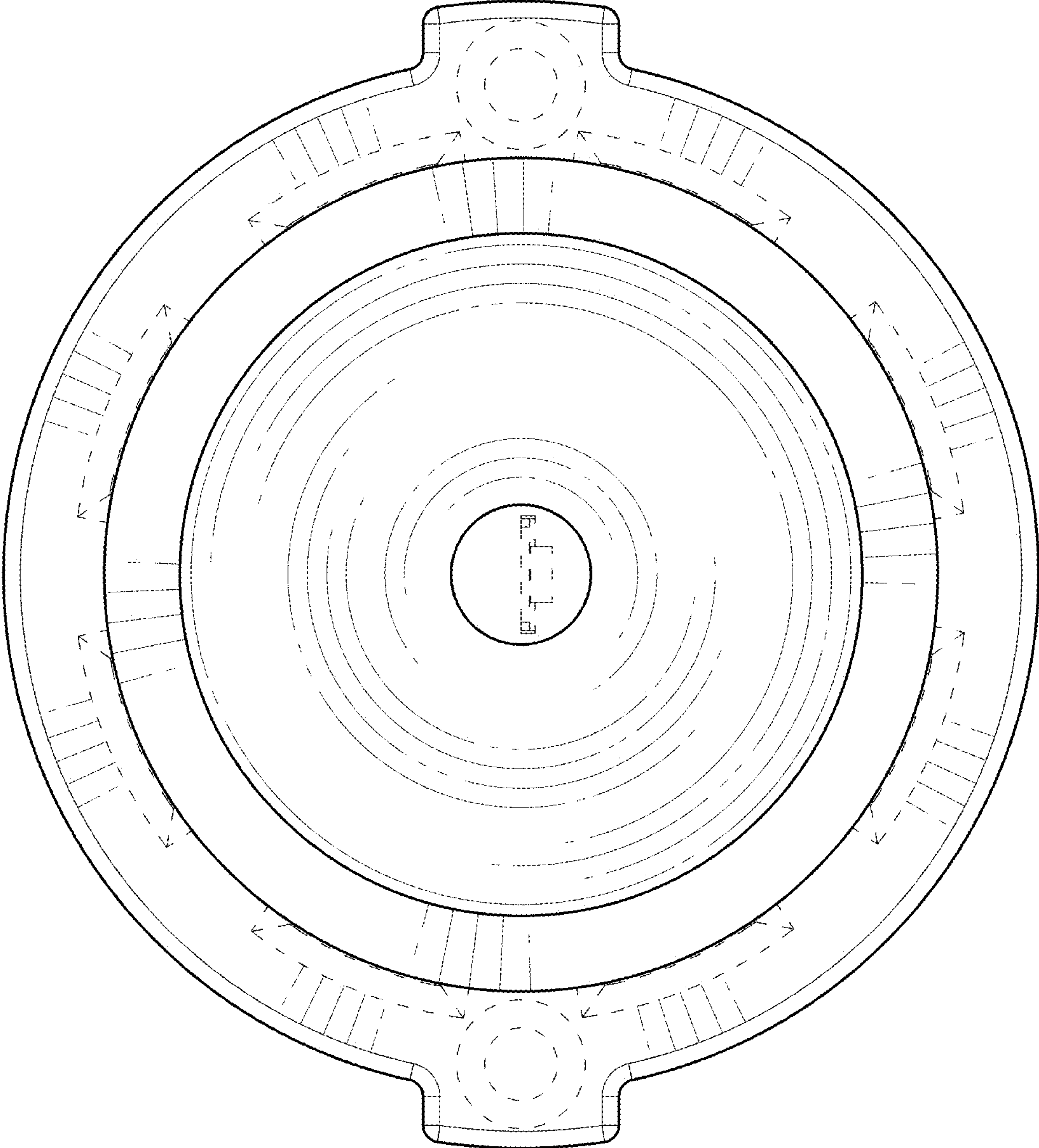


FIG. 3

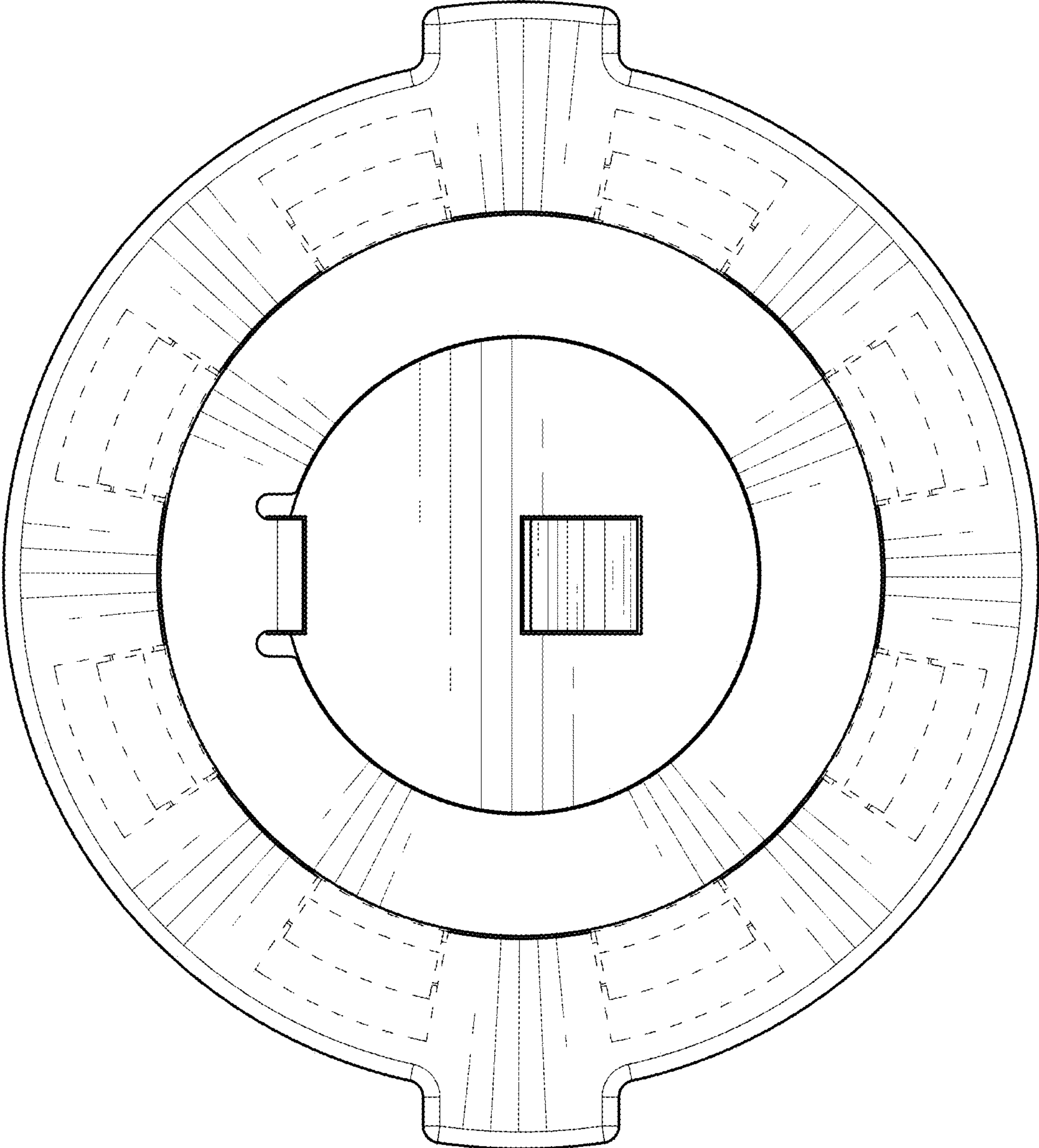


FIG. 4

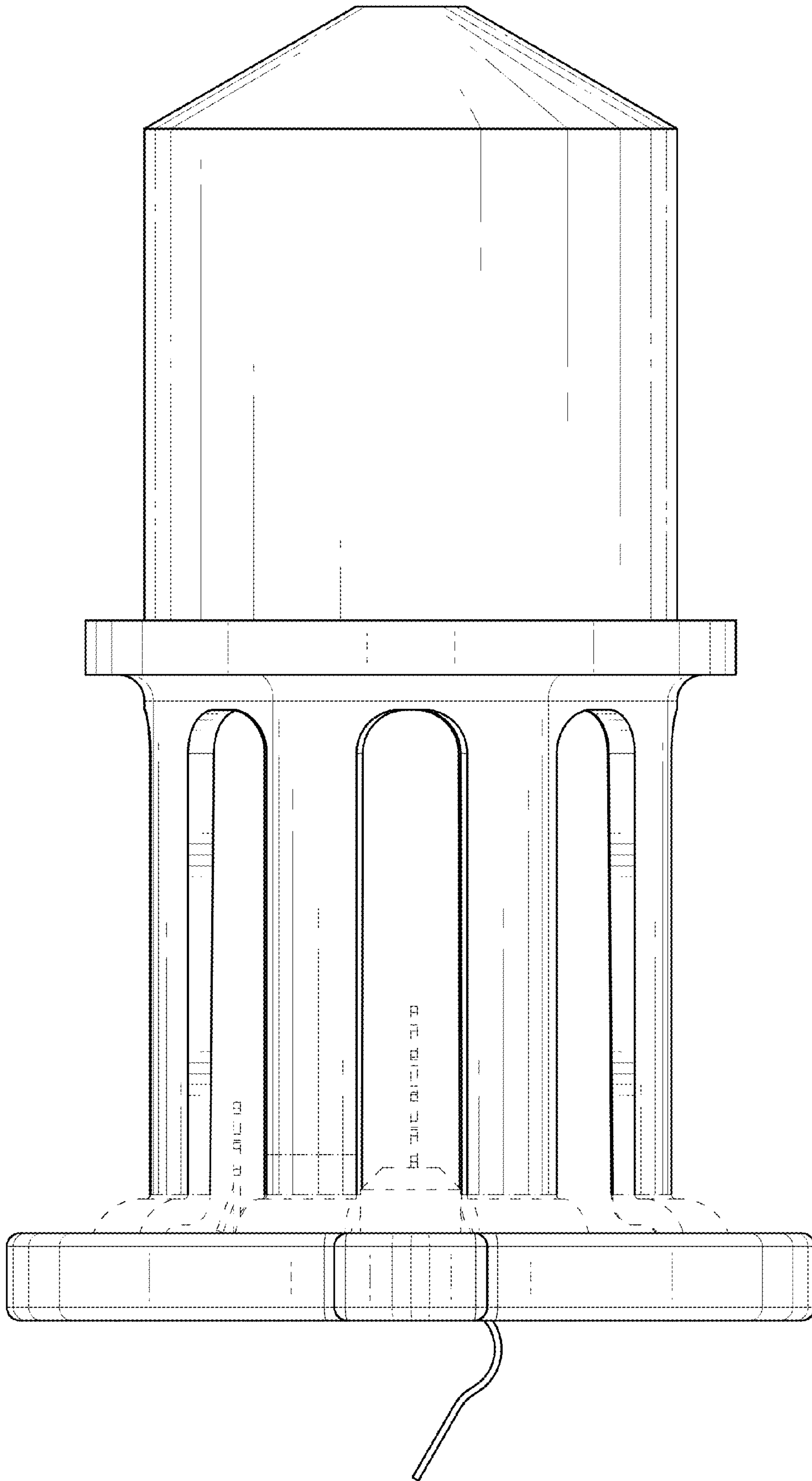


FIG. 5

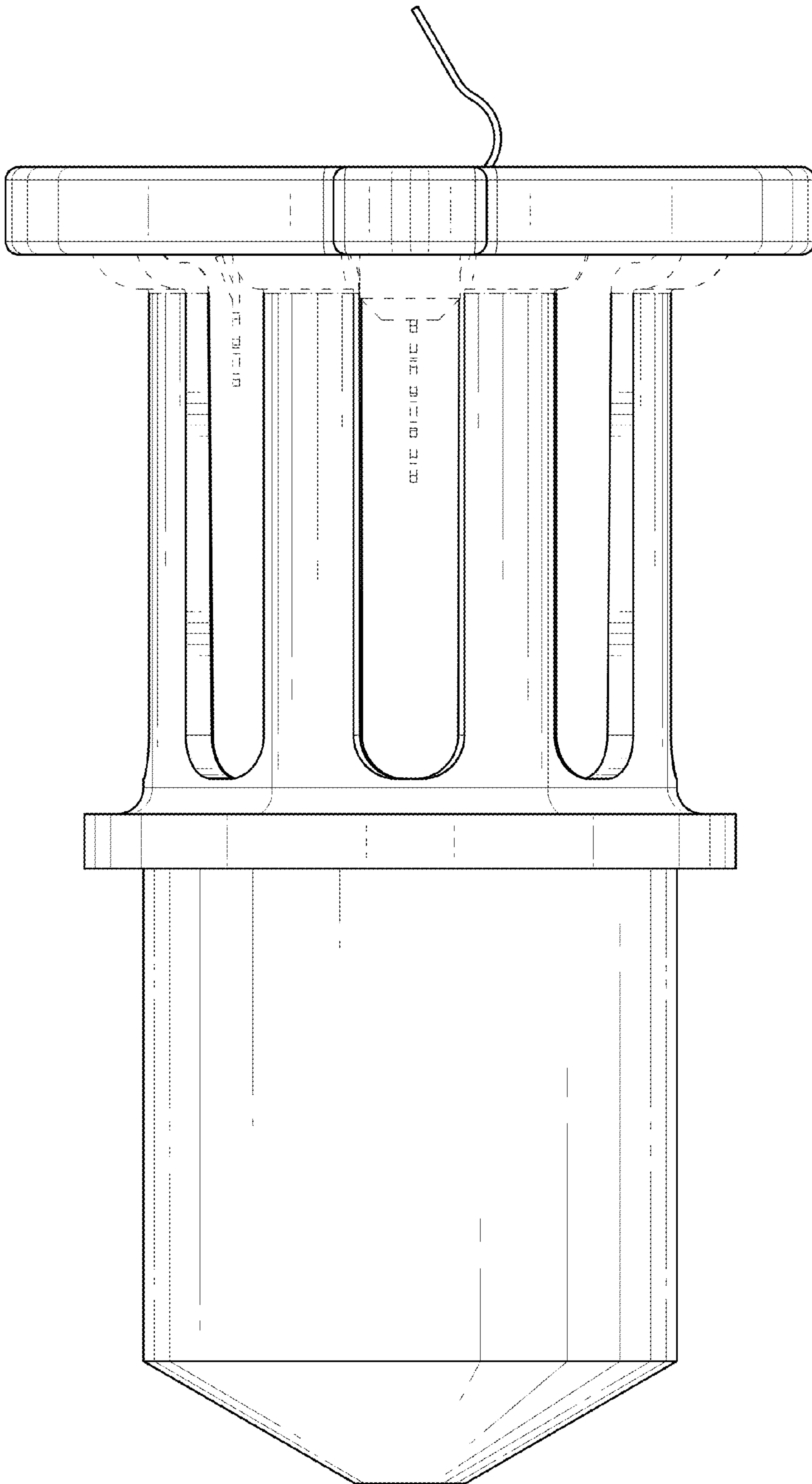


FIG. 6

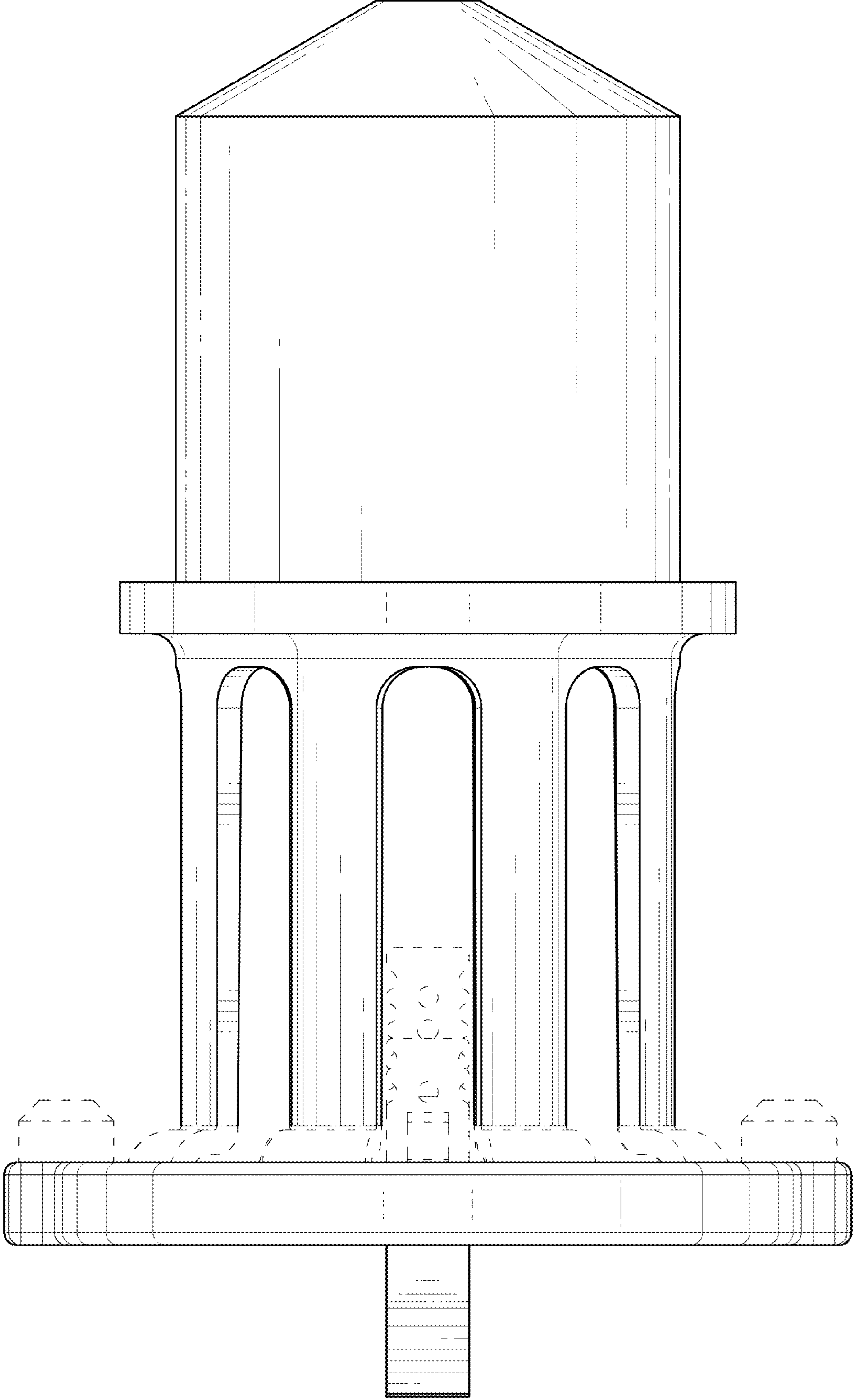


FIG. 7

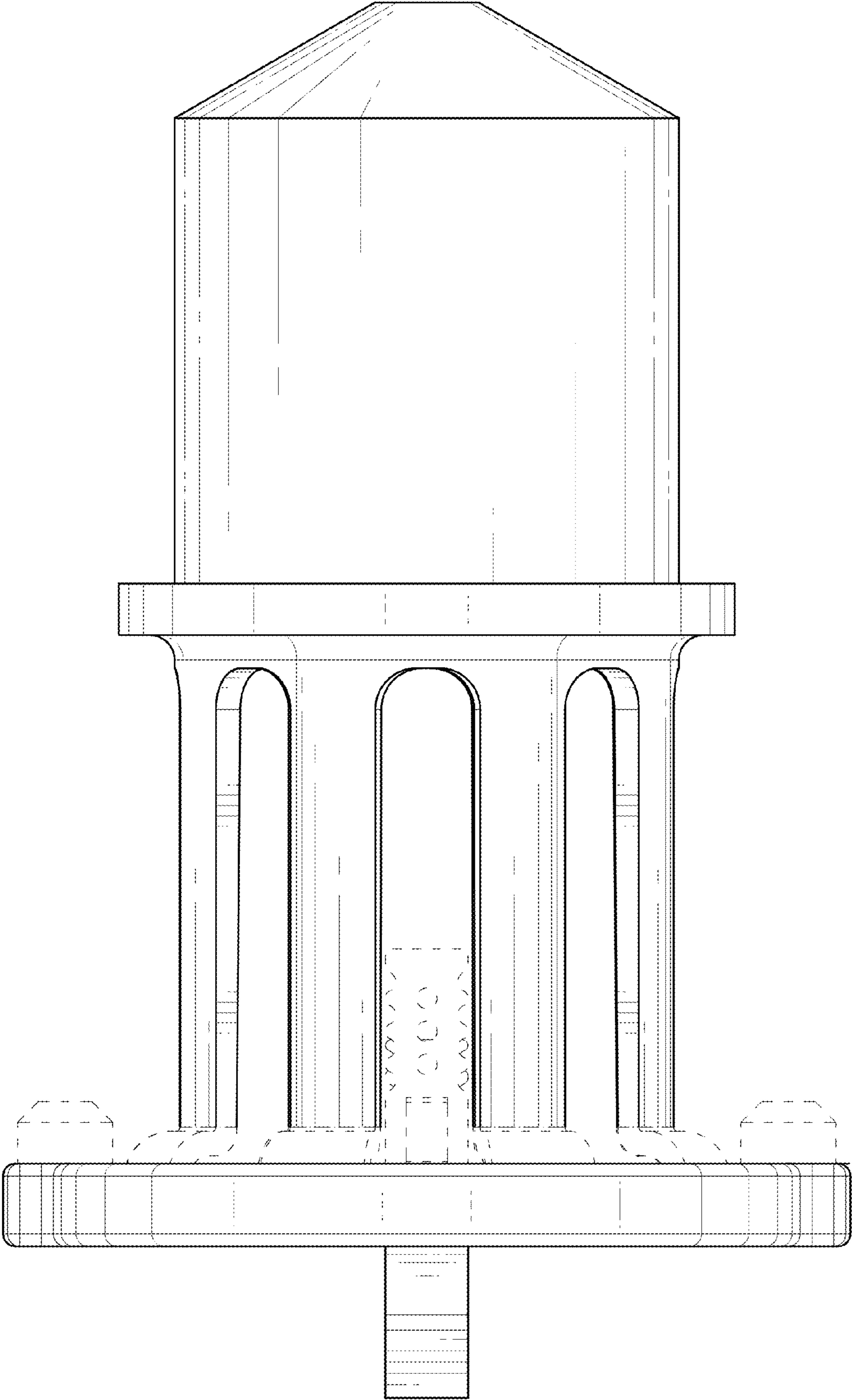


FIG. 8