



US00D873368S

(12) **United States Design Patent** (10) **Patent No.:** **US D873,368 S**
Morrow et al. (45) **Date of Patent:** **** Jan. 21, 2020**

(54) **DUAL-GRIP PORTABLE COUNTERMEASURE DEVICE AGAINST UNMANNED SYSTEMS**

(71) Applicant: **Battelle Memorial Institute**, Columbus, OH (US)

(72) Inventors: **Alexander Morrow**, Gahanna, OH (US); **Daniel E. Stamm**, Columbus, OH (US); **Raphael J. Welsh**, Powell, OH (US); **Daniel G. Loesch**, Columbus, OH (US); **Zachary Schmid**, Columbus, OH (US)

(73) Assignee: **Dedrone Holdings, Inc.**, San Francisco, CA (US)

(**) Term: **15 Years**

(21) Appl. No.: **29/680,173**

(22) Filed: **Feb. 14, 2019**

Related U.S. Application Data

(63) Continuation of application No. 16/274,325, filed on Feb. 13, 2019, which is a continuation-in-part of application No. 16/005,905, filed on Jun. 12, 2018, which is a continuation of application No. 15/596,842, filed on May 16, 2017, now Pat. No. 10,020,909, which is a continuation-in-part of application No. 15/274,021, filed on Sep. 23, 2016, now Pat. No. 10,103,835.

(51) **LOC (12) Cl.** **22-01**

(52) **U.S. Cl.**
USPC **D22/103**

(58) **Field of Classification Search**
USPC D22/101, 108, 117; D14/230, 232, 234, D14/238; D21/571-575
CPC F41B 11/55; F41B 11/51; F41B 11/62
See application file for complete search history.

(56) **References Cited**

U.S. PATENT DOCUMENTS

4,584,578 A 4/1986 Brauns et al.
5,001,771 A 3/1991 New
5,287,110 A 2/1994 Tran
5,822,429 A 10/1998 Casabona et al.
5,896,105 A 4/1999 Murphy et al.

(Continued)

FOREIGN PATENT DOCUMENTS

WO WO 2007/012147 A1 2/2007
WO WO 2007/012148 A1 2/2007
WO WO 2017/053693 3/2017

OTHER PUBLICATIONS

V1; 3G Mobile Phone Jammer; accessed from <http://www.jammerfromchina.com>.

(Continued)

Primary Examiner — Michael A. Pratt

(74) *Attorney, Agent, or Firm* — Morris, Manning & Martin, LLP; Daniel E. Sineway, Esq.; Daniel T. Begasse

(57) **CLAIM**

The ornamental design for a dual-grip portable countermeasure device against unmanned systems, as shown and described.

DESCRIPTION

FIG. 1 is a perspective view of dual-grip portable countermeasure device against unmanned systems.

FIG. 2 is a left side view thereof.

FIG. 3 is a front view thereof.

FIG. 4 is a rear view thereof.

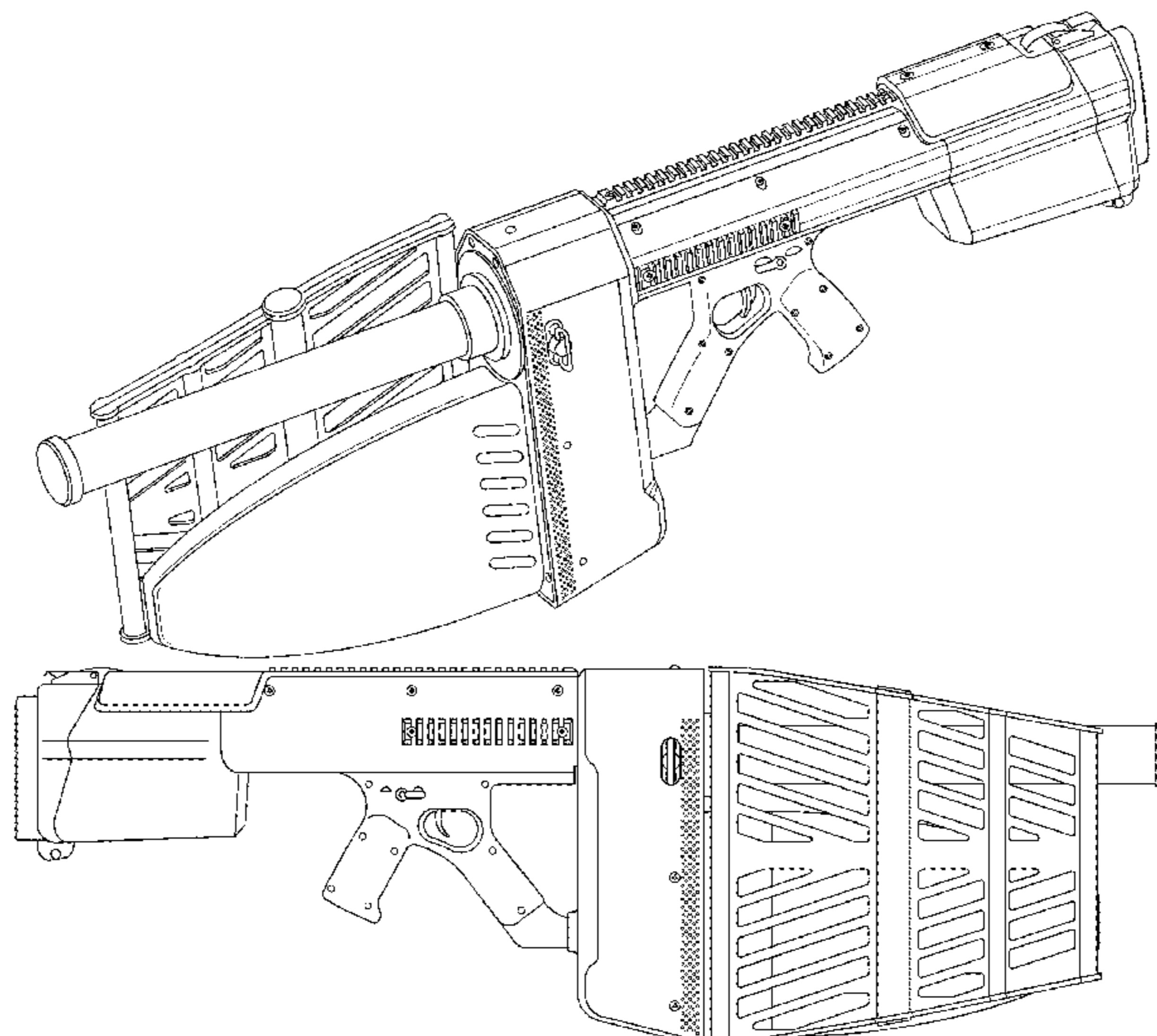
FIG. 5 is a right side view thereof.

FIG. 6 is a top view thereof; and,

FIG. 7 is a bottom view thereof.

The broken lines of FIGS. 1-7 illustrate portions of the article and form no part of the claimed design.

1 Claim, 5 Drawing Sheets



(56)

References Cited

U.S. PATENT DOCUMENTS

6,230,371 B1 5/2001 Chu
 6,396,432 B1 5/2002 Riemschneider et al.
 6,480,144 B1 11/2002 Miller
 6,977,598 B2 12/2005 Longbottom
 7,050,755 B2 5/2006 Kline
 7,099,369 B2 8/2006 Karlsson
 7,318,368 B2 1/2008 Ham et al.
 7,423,575 B2 9/2008 Duff et al.
 7,489,264 B2 2/2009 Ferm et al.
 7,554,481 B2 6/2009 Cohen et al.
 7,574,168 B2 8/2009 Twitchell et al.
 7,697,885 B2 4/2010 Stoddard
 7,698,846 B2 4/2010 Do Amarante
 7,783,246 B2 8/2010 Twitchell, Jr. et al.
 7,784,390 B1 8/2010 Lowell et al.
 8,001,901 B2 8/2011 Bass
 8,135,661 B2 3/2012 Olsson
 8,145,119 B2 3/2012 Cornwell
 8,170,467 B2 5/2012 Soddard
 8,203,109 B2 6/2012 Taylor et al.
 8,269,957 B2 9/2012 Saban et al.
 8,301,075 B2 10/2012 Sherman et al.
 8,388,243 B1 3/2013 Smith
 8,615,190 B2 12/2013 Lu
 8,903,304 B2 12/2014 Coleman et al.
 D722,672 S * 2/2015 Juarez D22/108
 8,971,441 B2 3/2015 Dowla et al.
 9,071,385 B2 6/2015 Delaveau et al.
 9,207,049 B2 12/2015 Rovinsky
 D763,396 S * 8/2016 Juarez D22/108
 9,404,750 B2 8/2016 Rios
 D780,277 S * 2/2017 Barnett D22/107
 D814,598 S * 4/2018 Monti D22/108
 D855,138 S * 7/2019 Cheng D22/108
 D855,730 S * 8/2019 Stamm D22/108
 D855,731 S * 8/2019 Stamm D22/108
 2003/0058112 A1 3/2003 Gleine
 2005/0011101 A1 1/2005 Gooder
 2005/0041728 A1 2/2005 Karlsson
 2006/0226950 A1 10/2006 Kanou

2007/0063886 A1 3/2007 Brumley, II et al.
 2008/0174469 A1 7/2008 Stark et al.
 2009/0214205 A1 8/2009 Clark et al.
 2009/0287363 A1 11/2009 Young
 2011/0000389 A1 1/2011 Fullerton
 2011/0176674 A1 7/2011 Romain
 2013/0015260 A1 1/2013 Schulte
 2013/0023201 A1 1/2013 Coleman et al.
 2014/0145993 A1 5/2014 Nakayama
 2014/0147116 A1 5/2014 Krupkin
 2014/0266851 A1 9/2014 Fink et al.
 2015/0229434 A1 8/2015 Shawn
 2015/0350914 A1 12/2015 Baxley

OTHER PUBLICATIONS

V2; 3W High Power Portable All Wireless Bug Camera; accessed from <http://www.jammerfromchina.com>.
 V3; Cell phone jammer Search by Functions; accessed from <http://www.jammerfromchina.com>.
 V4; L5 3G Mobile Phone Signal Jammer; accessed from <http://www.jammerfromchina.com>.
 V5; New Arrival All-in-one Handheld GPS 2G 3G 4G Mobile Phone; accessed from <http://www.jammerfromchina.com>.
 V6; PCS_3G_WiFi_GPS Signal Blocker; accessed from <http://www.jammerfromchina.com>.
 V7; Phone Jammer—Wholesale Jammer—DropShip From China; accessed from <http://www.jammerfromchina.com>.
 W; Clear Sky jammers e-RAKE; accessed from <http://www.hypercable.fr>.
 X; High Gain Directional Antennas for High Power Adjustable WiFi Phone Jammer; accessed from <http://www.alljammers.com>.
 Y; Directional RF Jammer for blocking cellular phone calls; accessed from <http://www.secintel.com>.
 Z; Drone jammer instruction set.
 Fitriyani et al.; Yagi antenna design for signal phone jammer; 2012.
 International Search Report for PCT Application No. PCT/US2018/032732 dated Aug. 8, 2018.

* cited by examiner

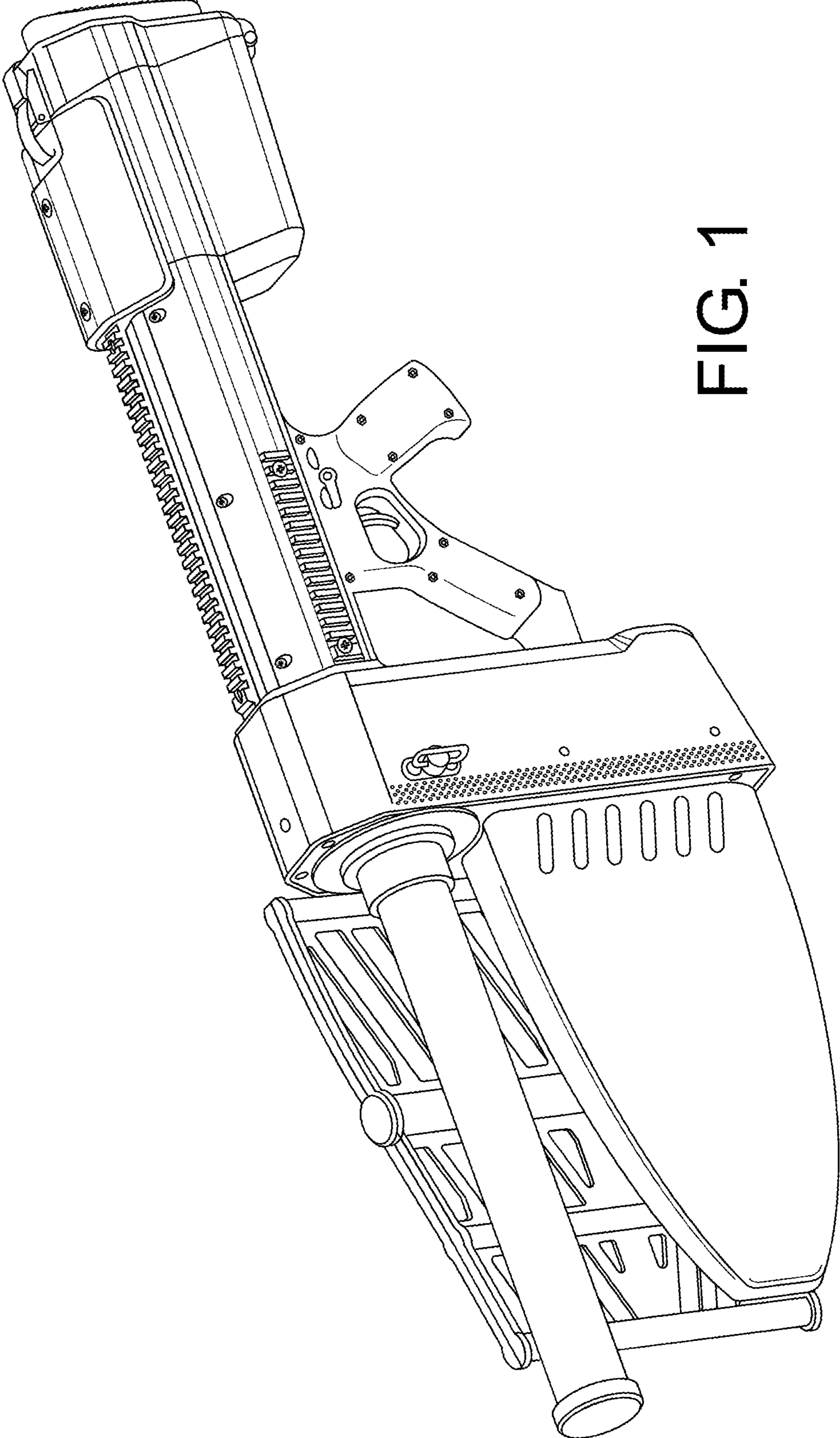


FIG. 1

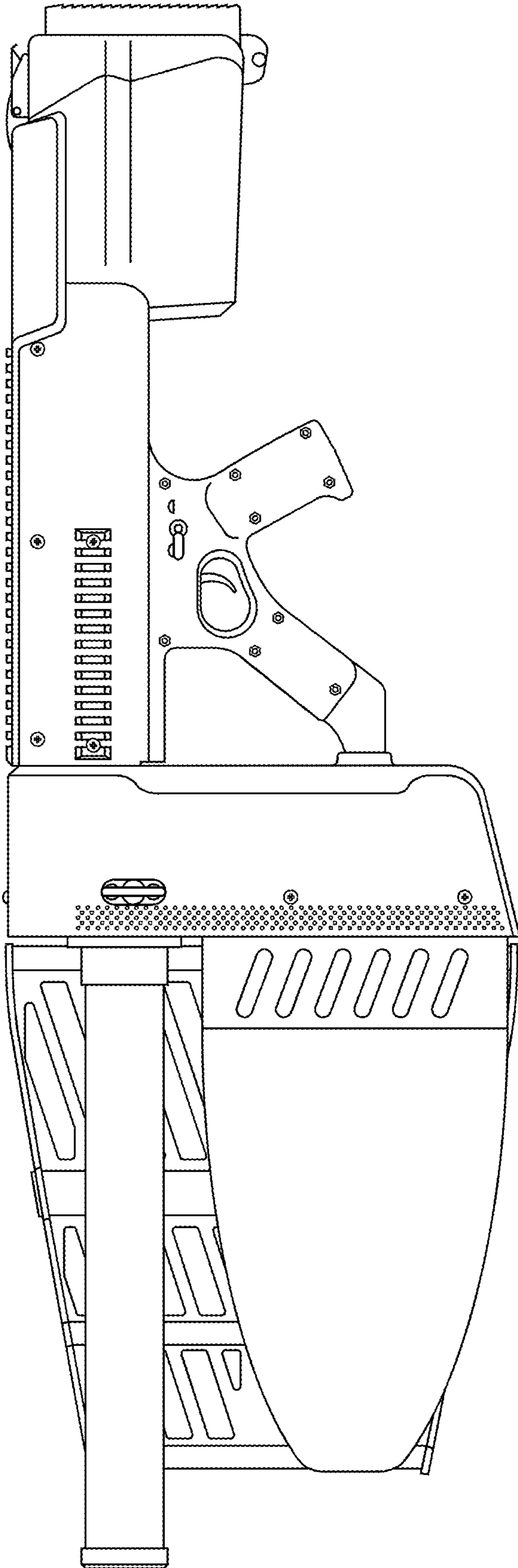


FIG. 2

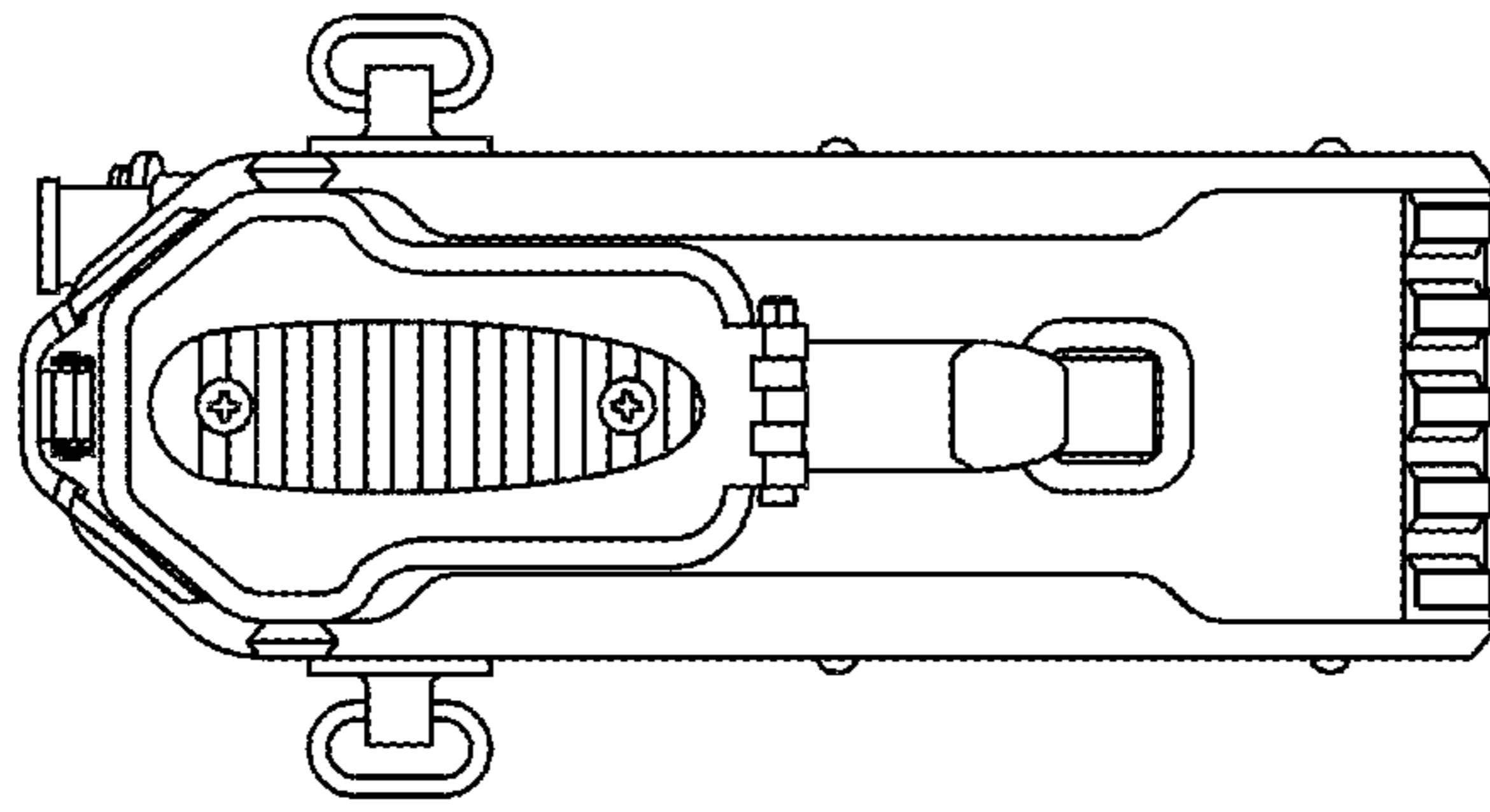


FIG. 4

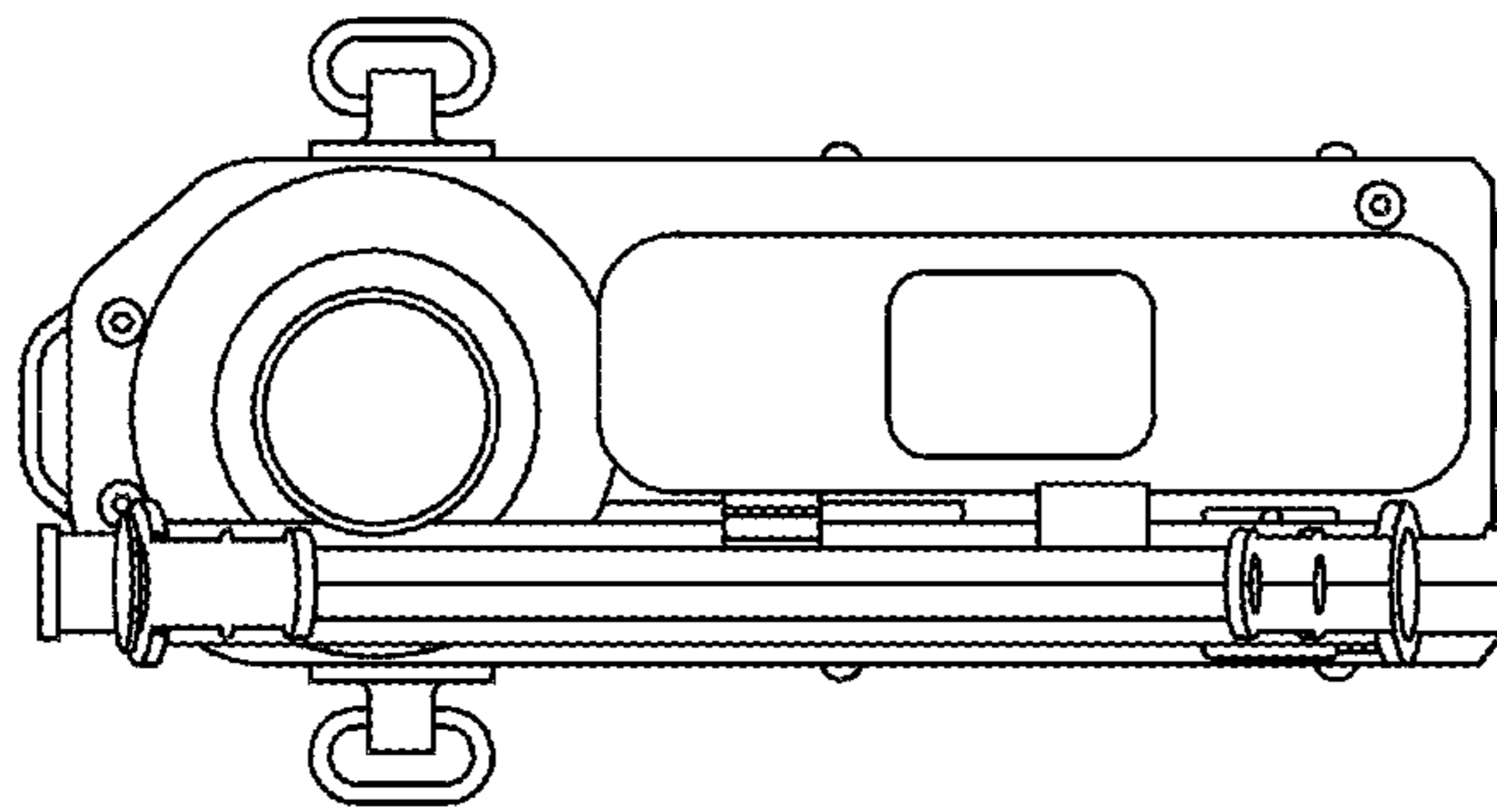


FIG. 3

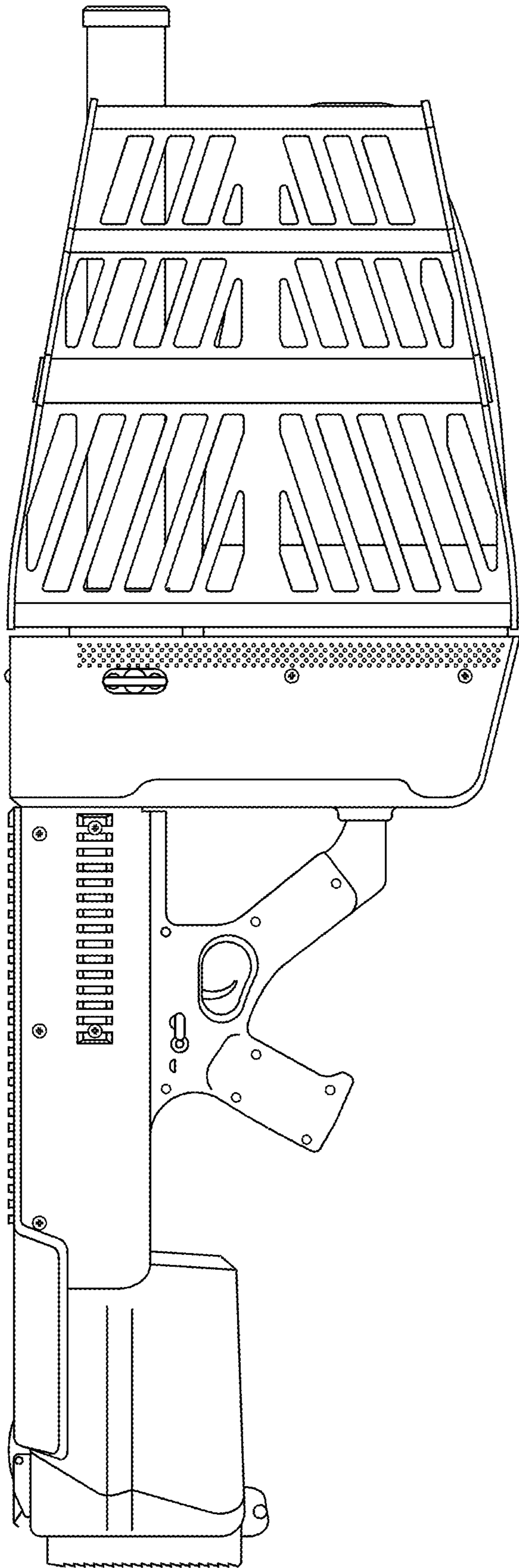


FIG. 5

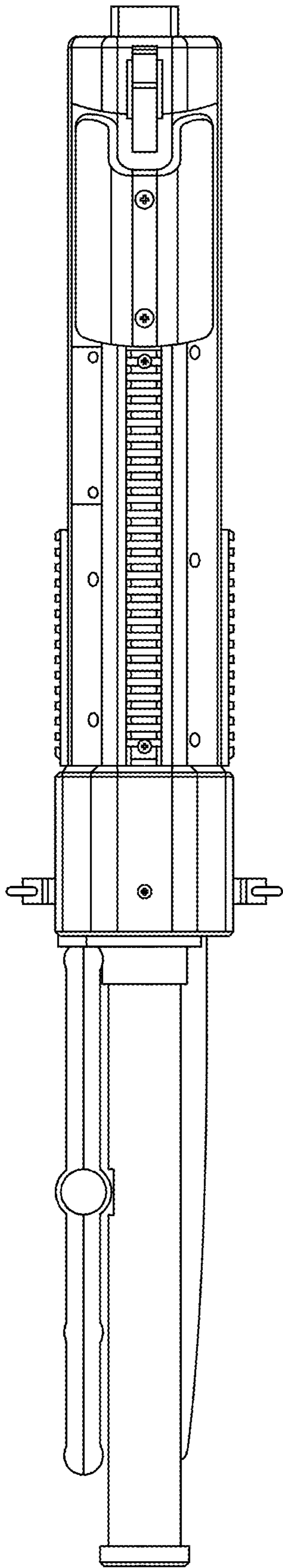


FIG. 6

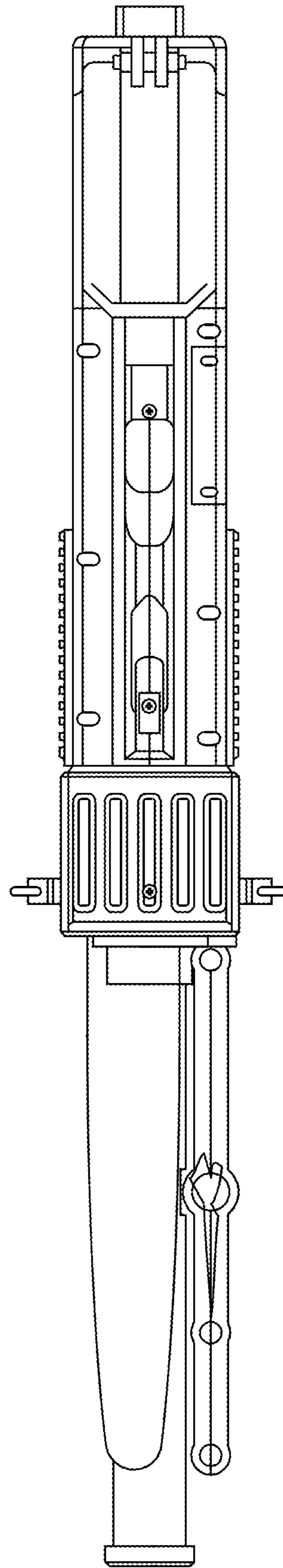


FIG. 7