



US00D873366S

(12) **United States Design Patent**  
**Smith**

(10) **Patent No.:** **US D873,366 S**  
(45) **Date of Patent:** **\*\* Jan. 21, 2020**

- (54) **CHASSIS FOR A RIFLE**
- (71) Applicant: **GUNGNER, LLC**, Miami, FL (US)
- (72) Inventor: **Michael Smith**, Miami, FL (US)
- (73) Assignee: **GUNGNER, LLC**, Miami, FL (US)
- (\*\*) Term: **15 Years**

- 9,347,737 B2 \* 5/2016 Troy ..... F41C 7/02
  - D795,981 S \* 8/2017 Martelli ..... D22/103
  - 9,835,395 B2 \* 12/2017 Ruby ..... F41C 27/00
  - D808,486 S \* 1/2018 Kafka ..... D22/103
  - D819,765 S \* 6/2018 Kafka ..... D22/103
  - 10,012,462 B2 \* 7/2018 DeSomma ..... F41A 3/82
- (Continued)

- (21) Appl. No.: **29/622,079**
- (22) Filed: **Oct. 13, 2017**
- (51) **LOC (12) Cl.** ..... **22-01**
- (52) **U.S. Cl.**  
USPC ..... **D22/103**; D21/573
- (58) **Field of Classification Search**  
USPC ..... D21/300, 301, 304, 387, 567, 570, 571,  
D21/573, 574, 575, 746; D22/100, 101,  
D22/102, 103, 106, 107, 108, 109, 110,  
D22/111, 112, 199  
CPC ..... F41A 3/26; F41A 3/12; F41A 5/02; F41A  
17/22; F41B 5/143; F41B 5/14; F41B  
5/066; F41B 7/08; F41B 5/1446; F41B  
5/148; F41B 5/1465; F42B 6/04; F42B  
6/08; F42B 6/02; F42B 6/06; F42B  
12/362; F41C 23/16; F41C 27/00; F41C  
7/00; F41G 11/003; F41G 11/001; F41G  
11/004; F41G 11/005; A63H 5/04  
See application file for complete search history.

(56) **References Cited**

**U.S. PATENT DOCUMENTS**

- D645,532 S \* 9/2011 Peterson ..... D22/103
- 8,307,750 B2 \* 11/2012 Vuksanovich ..... F41A 5/28  
89/191.01
- D716,902 S \* 11/2014 Nason ..... D22/108
- D724,168 S \* 3/2015 Alis ..... D22/103
- D724,691 S \* 3/2015 Barfoot ..... D22/109
- D728,727 S \* 5/2015 Barfoot ..... D22/109
- D728,728 S \* 5/2015 Barfoot ..... D22/109
- 9,032,860 B2 \* 5/2015 Faxon ..... F41A 15/14  
89/193

**OTHER PUBLICATIONS**

“Gungner Inc GR22 Introduction” [online]. 2a4ALL [Published on Sep. 29, 2017]. Retrieved from the Internet: <[https://www.youtube.com/watch?v=w-xJvlwVn\\_s](https://www.youtube.com/watch?v=w-xJvlwVn_s)>.\*  
(Continued)

*Primary Examiner* — Khawaja Anwar  
*Assistant Examiner* — Mojtaba Tehrani  
(74) *Attorney, Agent, or Firm* — Mark Terry

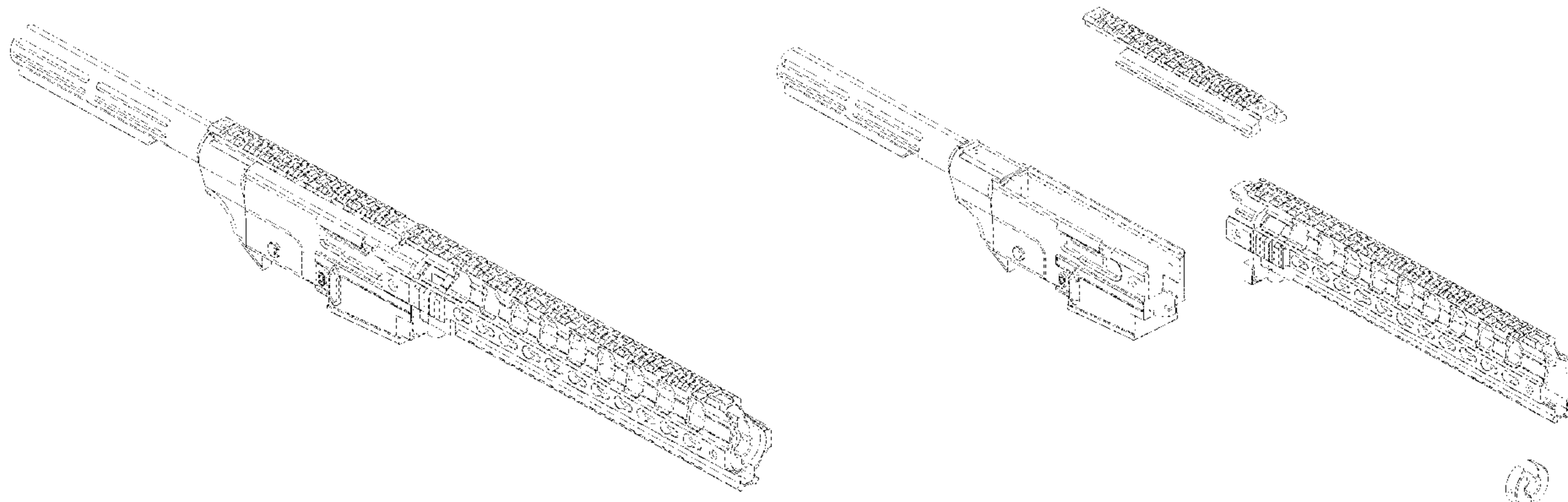
(57) **CLAIM**

The ornamental design for a chassis for a rifle, as shown and described.

**DESCRIPTION**

FIG. 1 is a side perspective view of a chassis for a rifle, showing the new design;  
FIG. 2 is a rear perspective view thereof;  
FIG. 3 is a right side view thereof;  
FIG. 4 is a left side view thereof;  
FIG. 5 is a front view thereof;  
FIG. 6 is a rear view thereof.  
FIG. 7 is a top view thereof;  
FIG. 8 is a bottom view thereof;  
FIG. 9 is an exploded side perspective view thereof;  
FIG. 10 is an exploded left side view thereof; and,  
FIG. 11 is a front perspective view thereof.  
The broken lines in the drawing depict unclaimed portions of the chassis for a rifle and form no part of the claimed design.

**1 Claim, 8 Drawing Sheets**



(56)

**References Cited**

## U.S. PATENT DOCUMENTS

2012/0102803 A1\* 5/2012 Troy ..... F41C 23/16  
42/71.01  
2012/0260793 A1\* 10/2012 Gomez ..... F41A 3/66  
89/191.01  
2014/0223791 A1\* 8/2014 Ruby ..... F41C 27/00  
42/49.01  
2014/0224114 A1\* 8/2014 Faxon ..... F41A 15/14  
89/193  
2014/0311004 A1\* 10/2014 Barrett ..... F41A 17/42  
42/16  
2015/0226501 A1\* 8/2015 Gibbens ..... F41A 3/66  
42/16  
2015/0330733 A1\* 11/2015 DeSomma ..... F41A 3/66  
42/6  
2017/0153075 A1\* 6/2017 DeSomma ..... F41A 3/66  
2017/0241724 A1\* 8/2017 Lammers ..... F41A 5/26  
2017/0307321 A1\* 10/2017 DeSomma ..... F41A 21/10

## OTHER PUBLICATIONS

“Gungner GR-22 Chassis System for Ruger 10/22 .22LR Rifle/Carbin” [online]. By David Crane at [defensereview.com](http://www.defensereview.com) [Published on Sep. 29, 2017]. Retrieved from the Internet: <<http://www.defensereview.com/gungner-gr-22-chassis-system-for-ruger-1022-22lr-riflecarbine-turn-your-1022-into-a-tactical-22lr-ar-video>>.\*

“Best Ruger 10/22 Accessories For Your Rifle” [online]. By L.P. Brezny at [ammoland.com](http://www.ammoland.com) [Published on Mar. 14, 2016]. Retrieved from the Internet: <<https://www.ammoland.com/2016/03/best-ruger-10-22-accessories>>.\*

\* cited by examiner

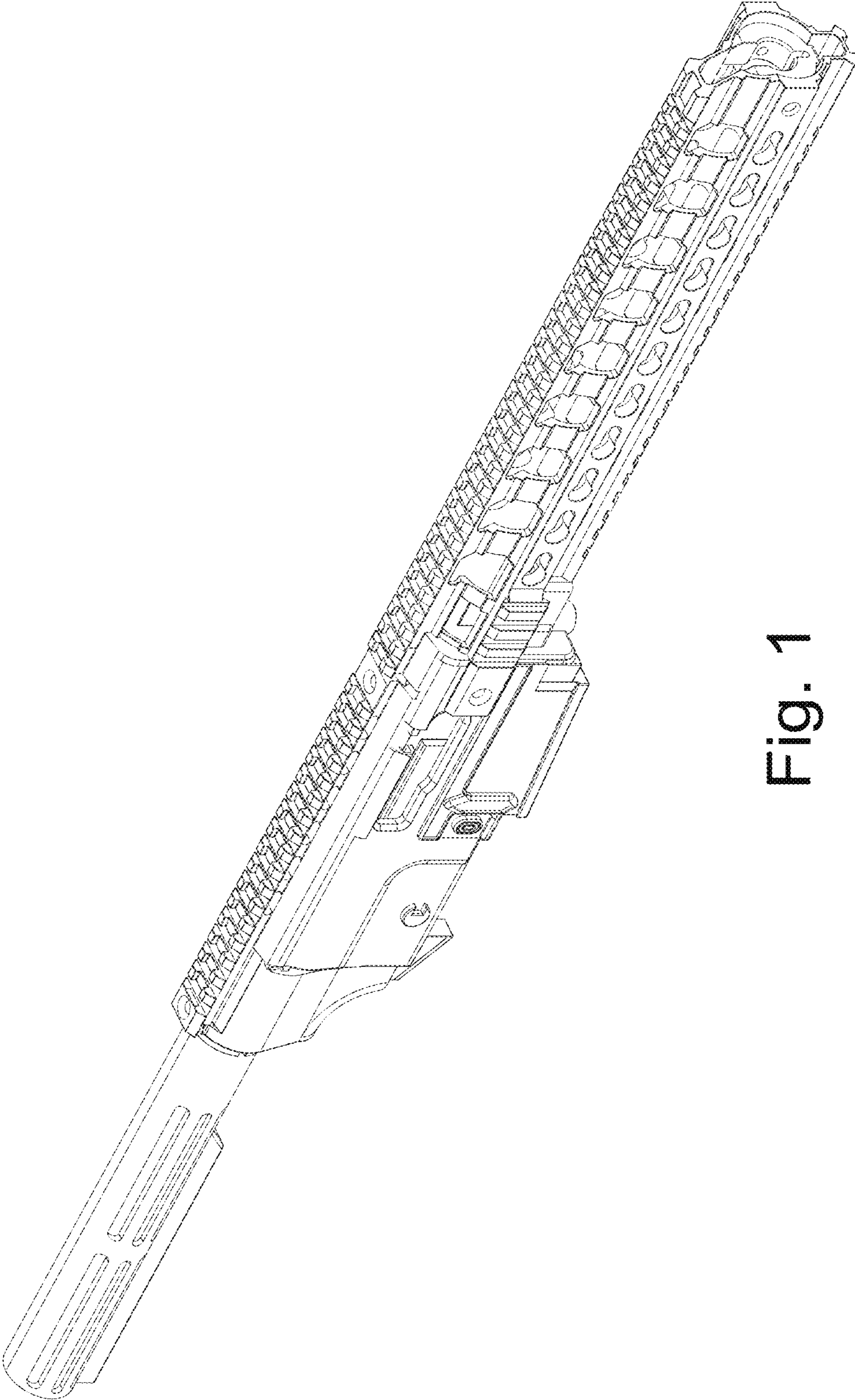


Fig. 1

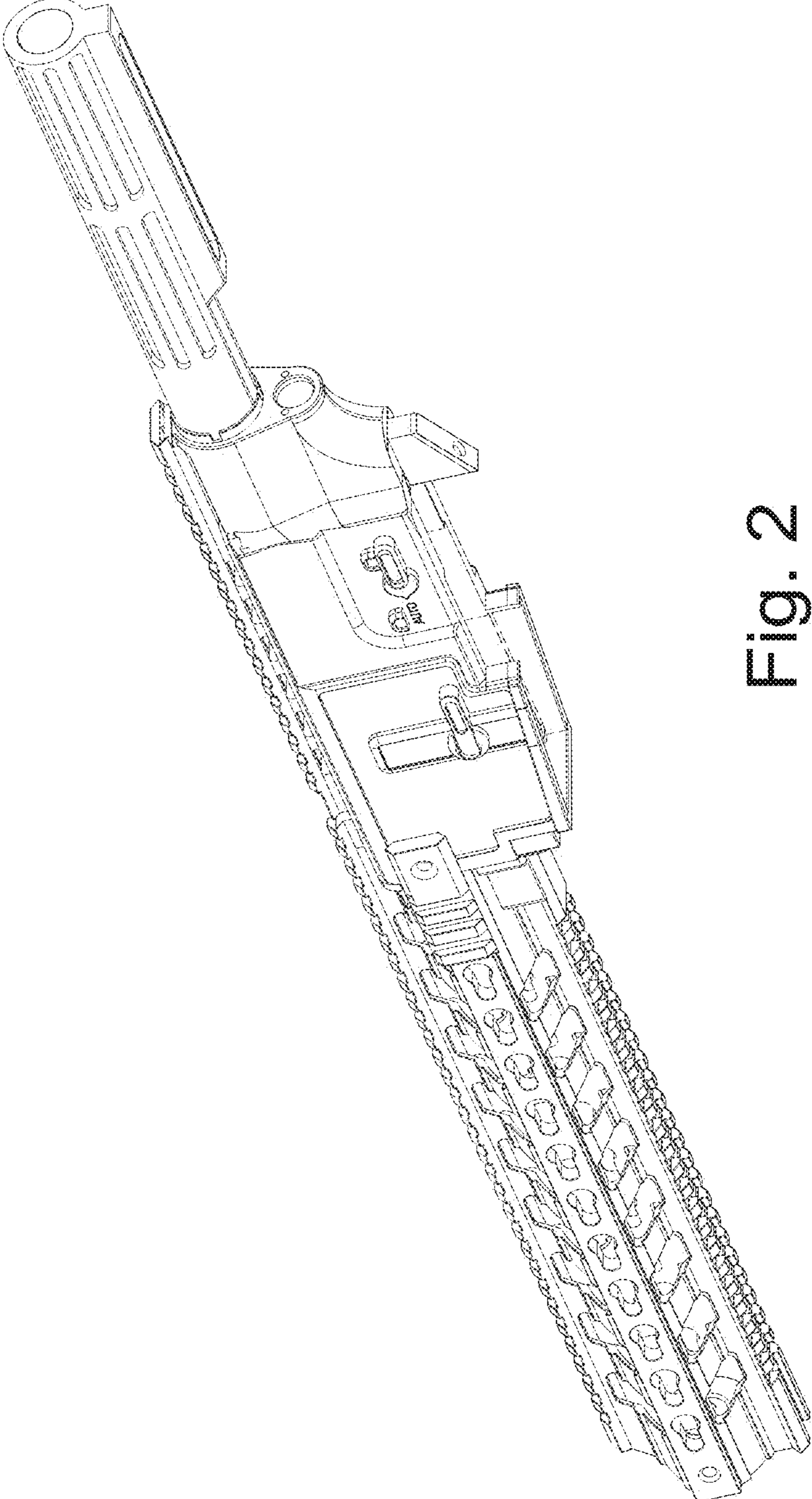


Fig. 2

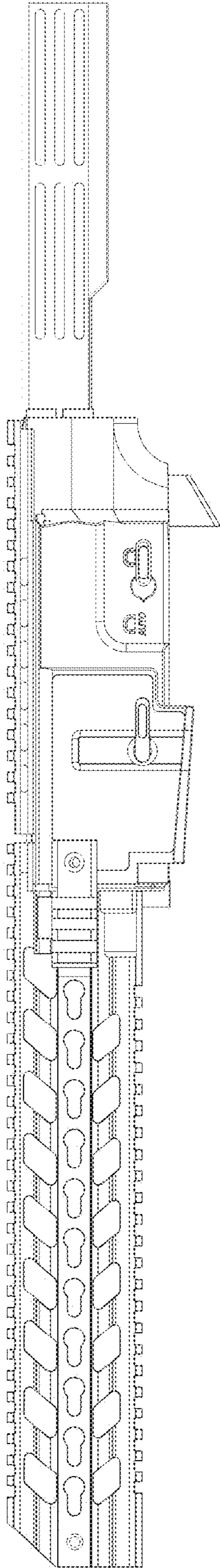


Fig. 3

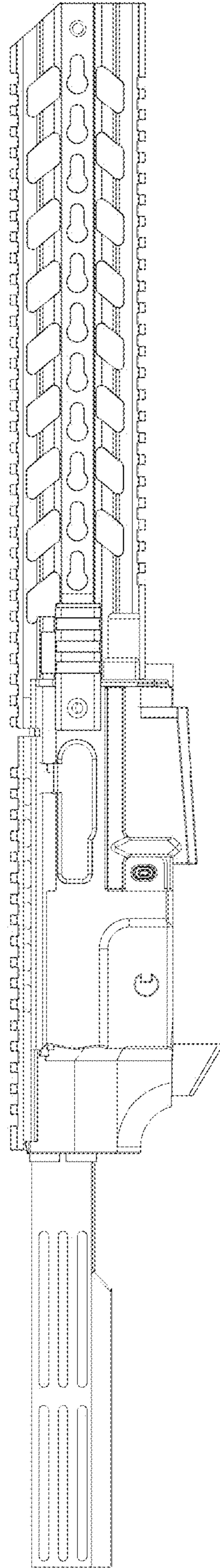


Fig. 4

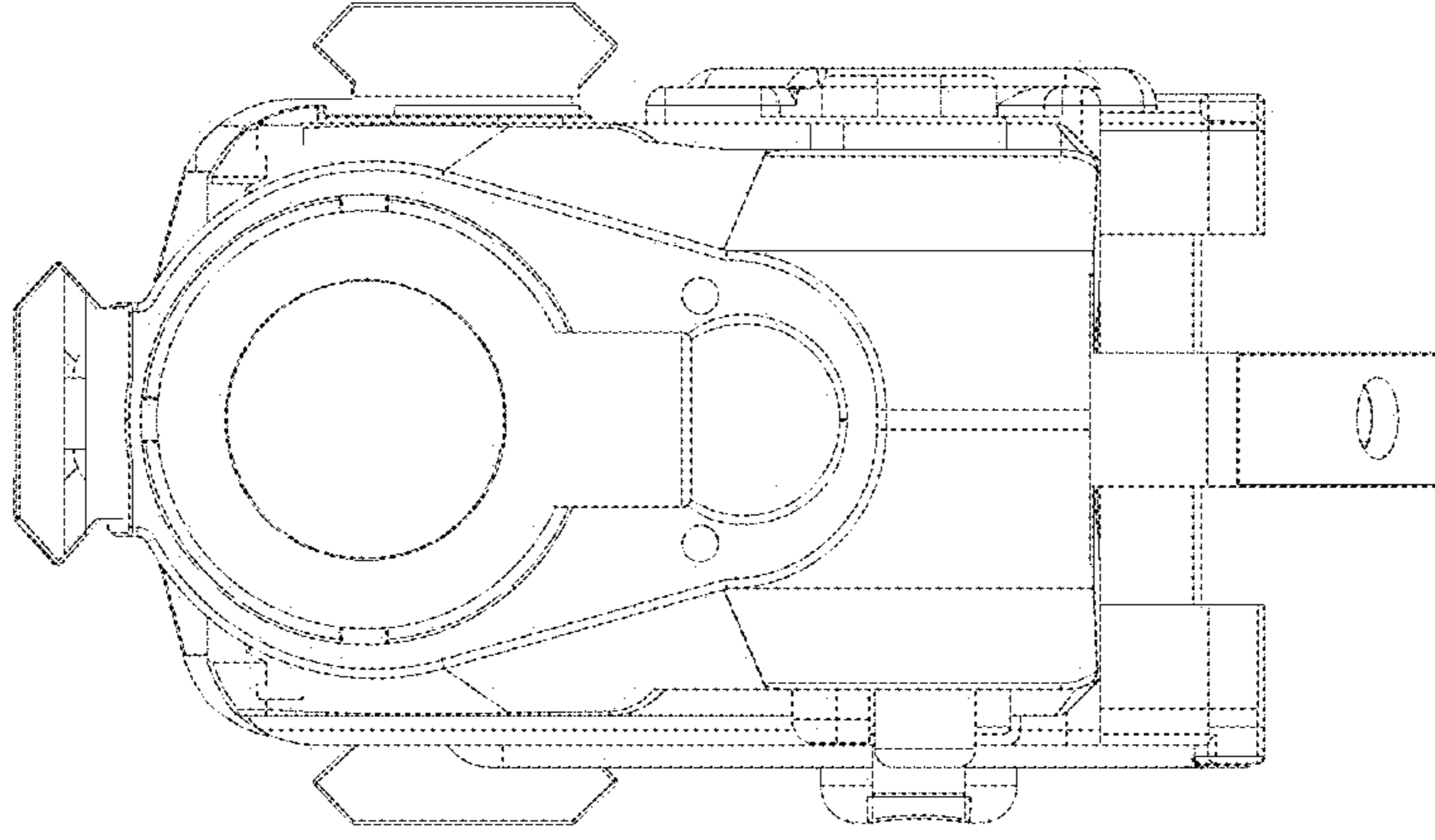


Fig. 6

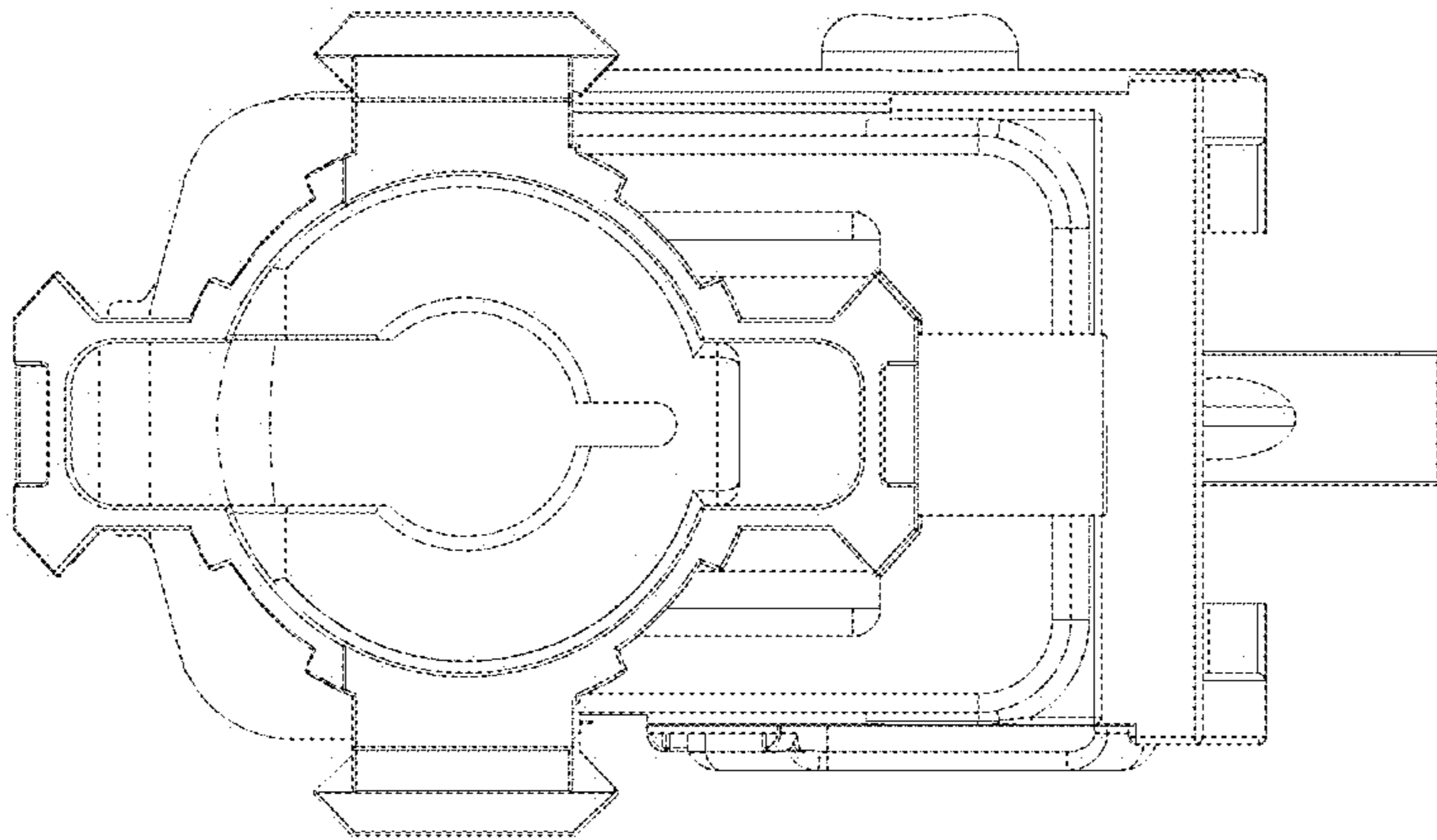


Fig. 5

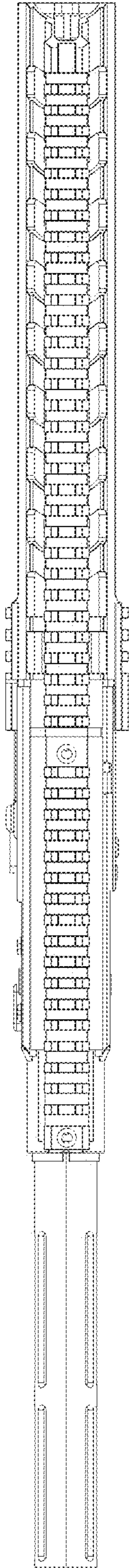


Fig. 7

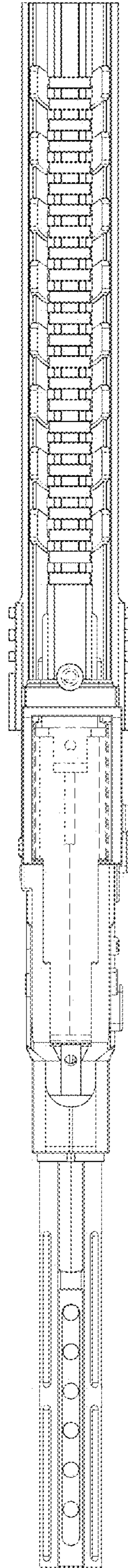


Fig. 8

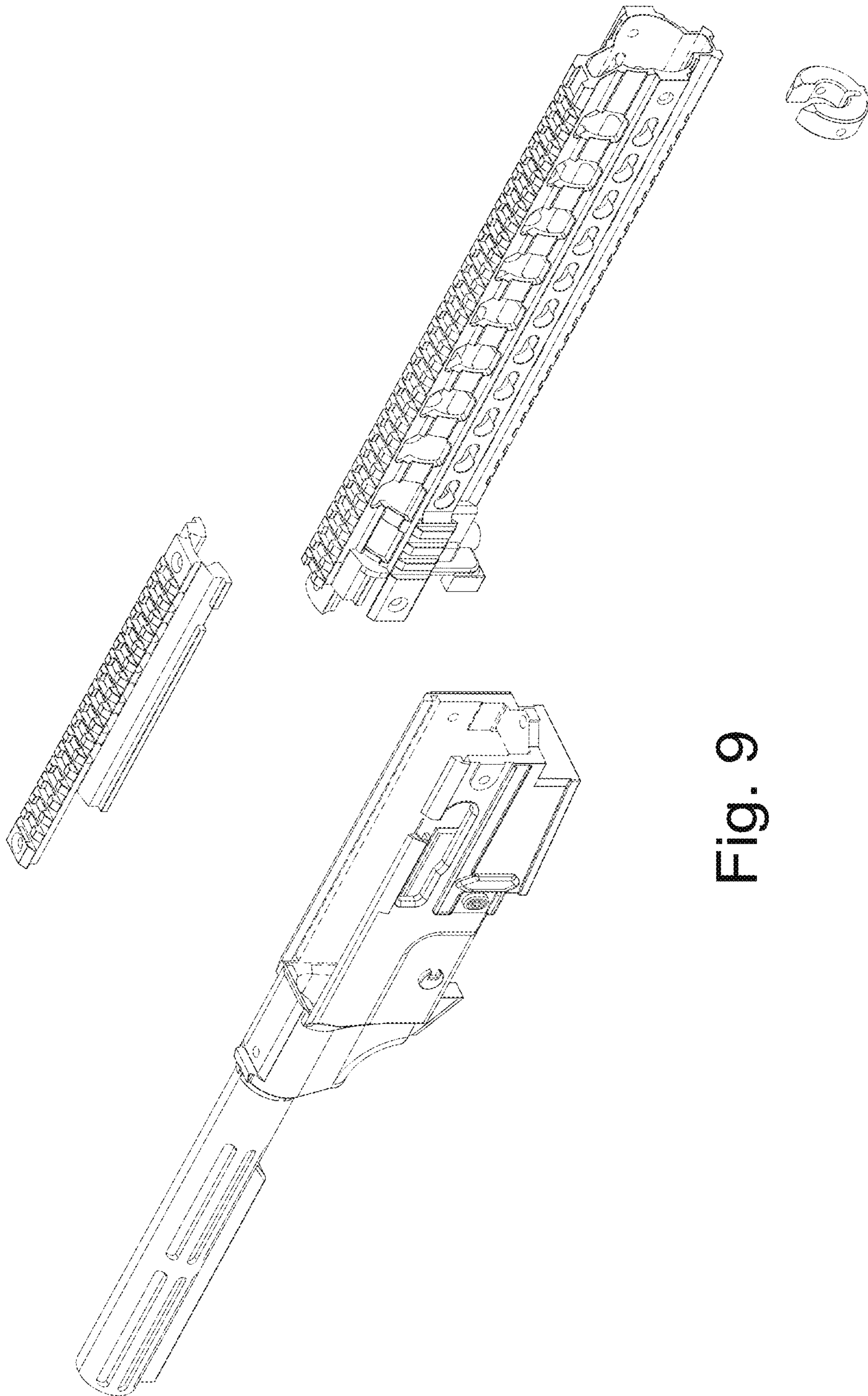


Fig. 9



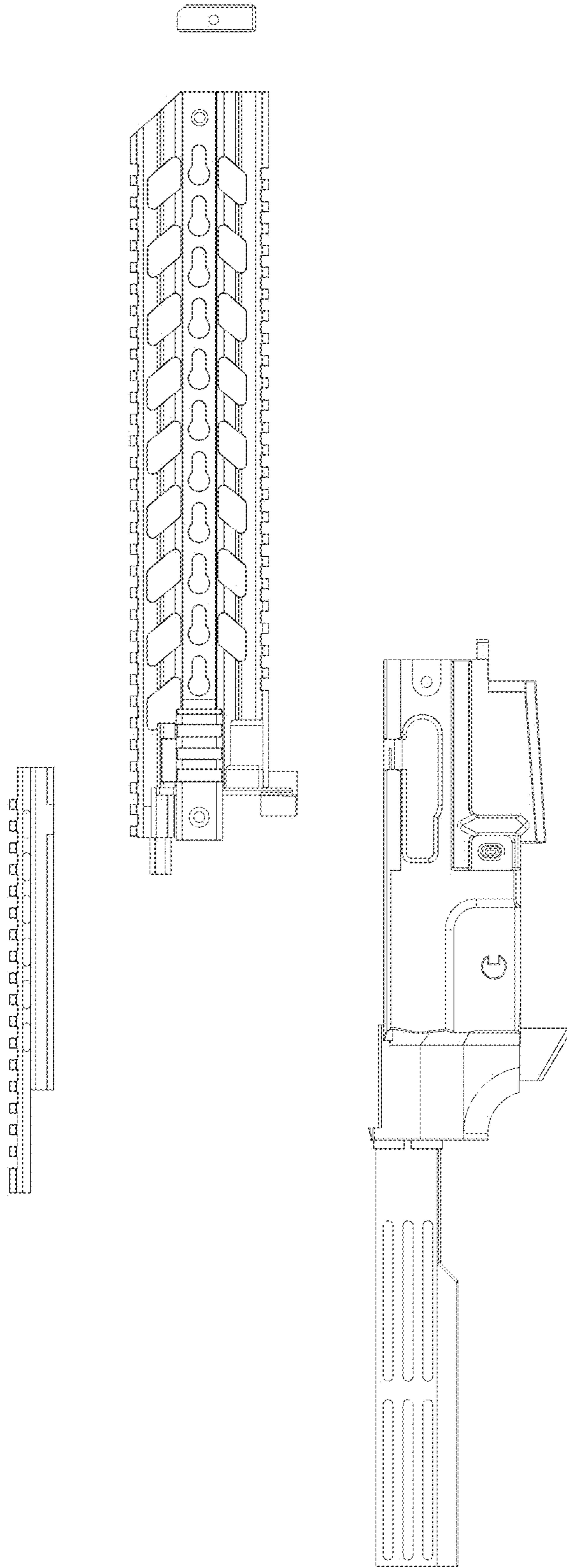


Fig. 10

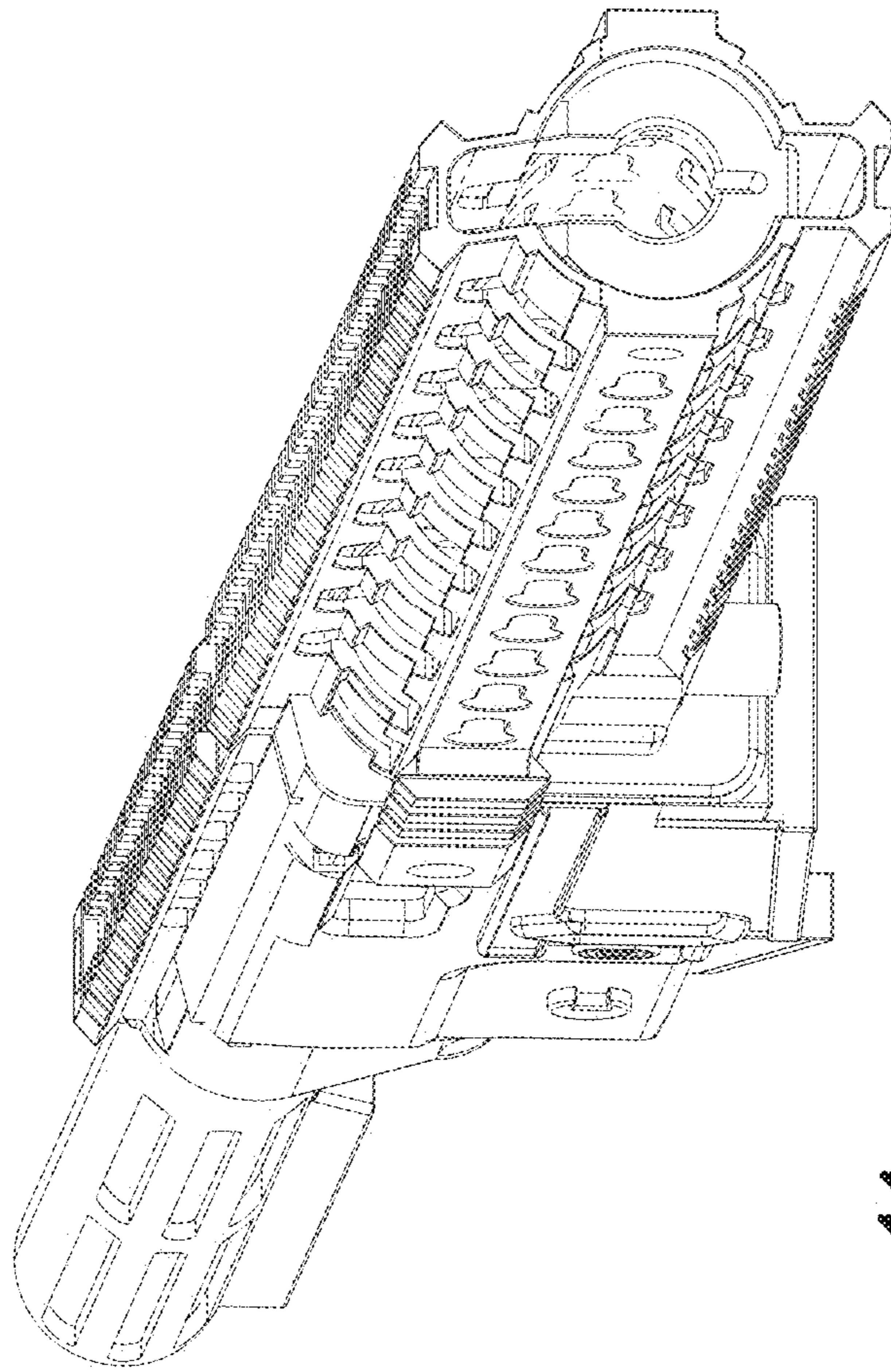


Fig. 11