



US00D873365S

(12) **United States Design Patent**
Keller

(10) **Patent No.:** **US D873,365 S**

(45) **Date of Patent:** **** Jan. 21, 2020**

(54) **PLAY STRUCTURE**

(71) Applicant: **Landscape Structures Inc.**, Delano,
MN (US)

(72) Inventor: **Thomas L. Keller**, Delano, MN (US)

(73) Assignee: **Landscape Structures, Inc.**, Delano,
MN (US)

(**) Term: **15 Years**

(21) Appl. No.: **29/628,505**

(22) Filed: **Dec. 5, 2017**

(51) **LOC (12) Cl.** **21-03**

(52) **U.S. Cl.**
USPC **D21/826; D21/818**

(58) **Field of Classification Search**
USPC D21/811, 814, 818-827, 506, 507, 508,
D21/511
CPC . A63G 21/00-21/22; A63G 9/00-9/22; A63G
31/00; A63B 9/00; A63B 2009/006; A63B
17/00; A63B 17/02; A63H 33/008
See application file for complete search history.

(56) **References Cited**

U.S. PATENT DOCUMENTS

D43,949 S *	4/1913	Thayer et al.	D21/511
D44,041 S *	5/1913	Thayer et al.	D21/511
D224,243 S *	7/1972	Hock et al.	D21/818
D224,247 S *	7/1972	Jamison	D21/818
D250,784 S *	1/1979	Dieter	D21/821
D251,265 S *	3/1979	Shorten	D21/511
D253,362 S *	11/1979	Dieter	D21/822
D253,363 S *	11/1979	Dieter	D21/821
4,262,900 A *	4/1981	Vinson	A63G 31/00 472/116
D259,804 S *	7/1981	Dieter	D21/826
D261,917 S *	11/1981	Dieter	D21/818
D262,818 S *	1/1982	Works	D21/822

D265,850 S *	8/1982	Bradford	D21/511
D271,037 S *	10/1983	Gordon	D21/822
D274,450 S *	6/1984	Gordon	D21/822
D277,222 S *	1/1985	Mower	D21/822
D281,447 S *	11/1985	Gordon	D21/822
D281,985 S *	12/1985	Spirk, Jr.	D21/818
D281,992 S *	12/1985	Saxman	D21/826
D295,898 S *	5/1988	Rupp	D25/1
D302,198 S *	7/1989	Mercer	D21/826
D330,579 S *	10/1992	Briggs	D21/822
D334,610 S *	4/1993	Aker	D21/818
D340,099 S *	10/1993	Warren	D21/818
D340,273 S *	10/1993	Ezell	D21/511

(Continued)

Primary Examiner — Mitchell I. Siegel

(74) *Attorney, Agent, or Firm* — Wesley W. Malherek;
Kelly, Holt & Christenson PLLC

(57) **CLAIM**

The ornamental design for the play structure, as shown and described.

DESCRIPTION

FIG. 1 is a perspective view of an embodiment of the play structure.

FIG. 2 is a first side view of an embodiment of the play structure.

FIG. 3 is a front view of an embodiment of the play structure.

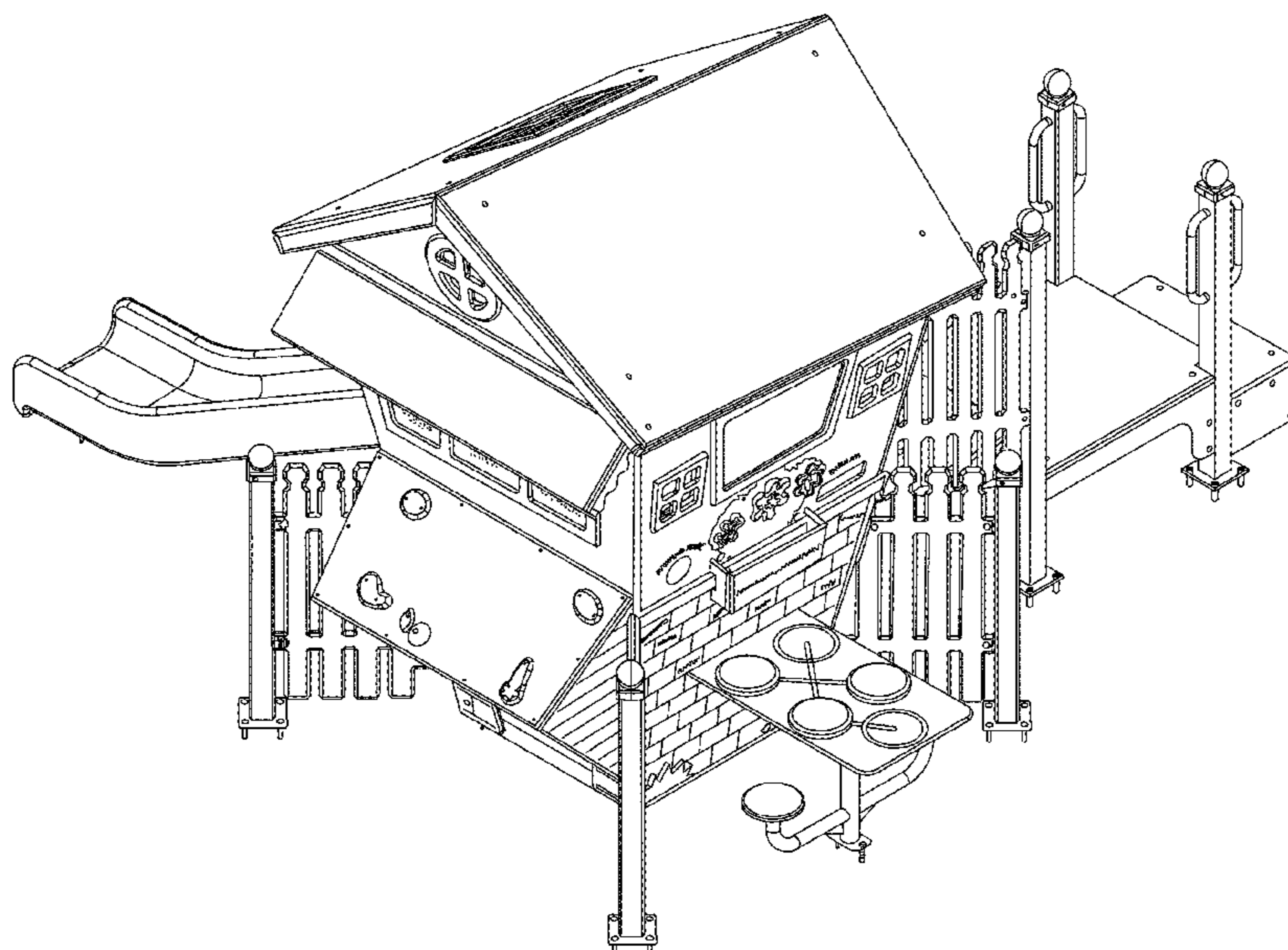
FIG. 4 is a top view of an embodiment of the play structure.

FIG. 5 is a rear view of an embodiment of the play structure.

FIG. 6 is a second side view of an embodiment of the play structure; and,

FIG. 7 is a bottom view of an embodiment of the play structure.
The broken line showing is included for the purpose of illustrating unclaimed subject matter informs no part of the claimed design.

1 Claim, 7 Drawing Sheets



(56)

References Cited

U.S. PATENT DOCUMENTS

D347,458 S * 5/1994 Cunard D21/818
 D361,614 S * 8/1995 Aker D21/821
 D366,686 S * 1/1996 Ziegler, Jr. D21/826
 D367,310 S * 2/1996 Ziegler, Jr. D21/827
 D377,074 S * 12/1996 Ford D21/827
 D385,941 S * 11/1997 Carpenter D21/511
 D427,648 S * 7/2000 Law D21/511
 D435,881 S * 1/2001 Gardner D21/820
 D436,224 S * 1/2001 Gardner D21/820
 D440,623 S * 4/2001 Gardner D21/818
 6,482,095 B2 * 11/2002 Zeilinger A63B 17/02
 104/69
 D468,387 S * 1/2003 Ezell D21/826
 D501,232 S * 1/2005 Kirk D21/511
 D524,895 S * 7/2006 VanDeusen D21/820
 D532,462 S * 11/2006 DeBlanco D21/511
 D534,984 S * 1/2007 Nye D21/818
 D536,406 S * 2/2007 Nye D21/818
 D536,407 S * 2/2007 Nye D21/818

D536,408 S * 2/2007 Nye D21/818
 D536,409 S * 2/2007 Nye D21/822
 D536,410 S * 2/2007 Nye D21/822
 D536,411 S * 2/2007 Nye D21/822
 D569,450 S * 5/2008 Halliday D21/511
 D569,451 S * 5/2008 Halliday D21/511
 D575,840 S * 8/2008 Sammann D21/818
 D577,408 S * 9/2008 Ketcherside D21/821
 D587,776 S * 3/2009 Robertson D21/814
 D594,070 S * 6/2009 Ridens D21/511
 D618,814 S * 6/2010 Ruhanen D24/203
 D690,382 S * 9/2013 Kopp D21/822
 D693,418 S * 11/2013 Tukker D21/818
 D693,419 S * 11/2013 Tukker D21/818
 D694,838 S * 12/2013 Tukker D21/511
 D807,978 S * 1/2018 Keller D21/814
 D832,965 S * 11/2018 Keller D21/818
 2006/0096188 A1 * 5/2006 Byrd A63G 31/00
 52/198
 2012/0193276 A1 * 8/2012 Kim A63G 31/007
 210/167.1

* cited by examiner

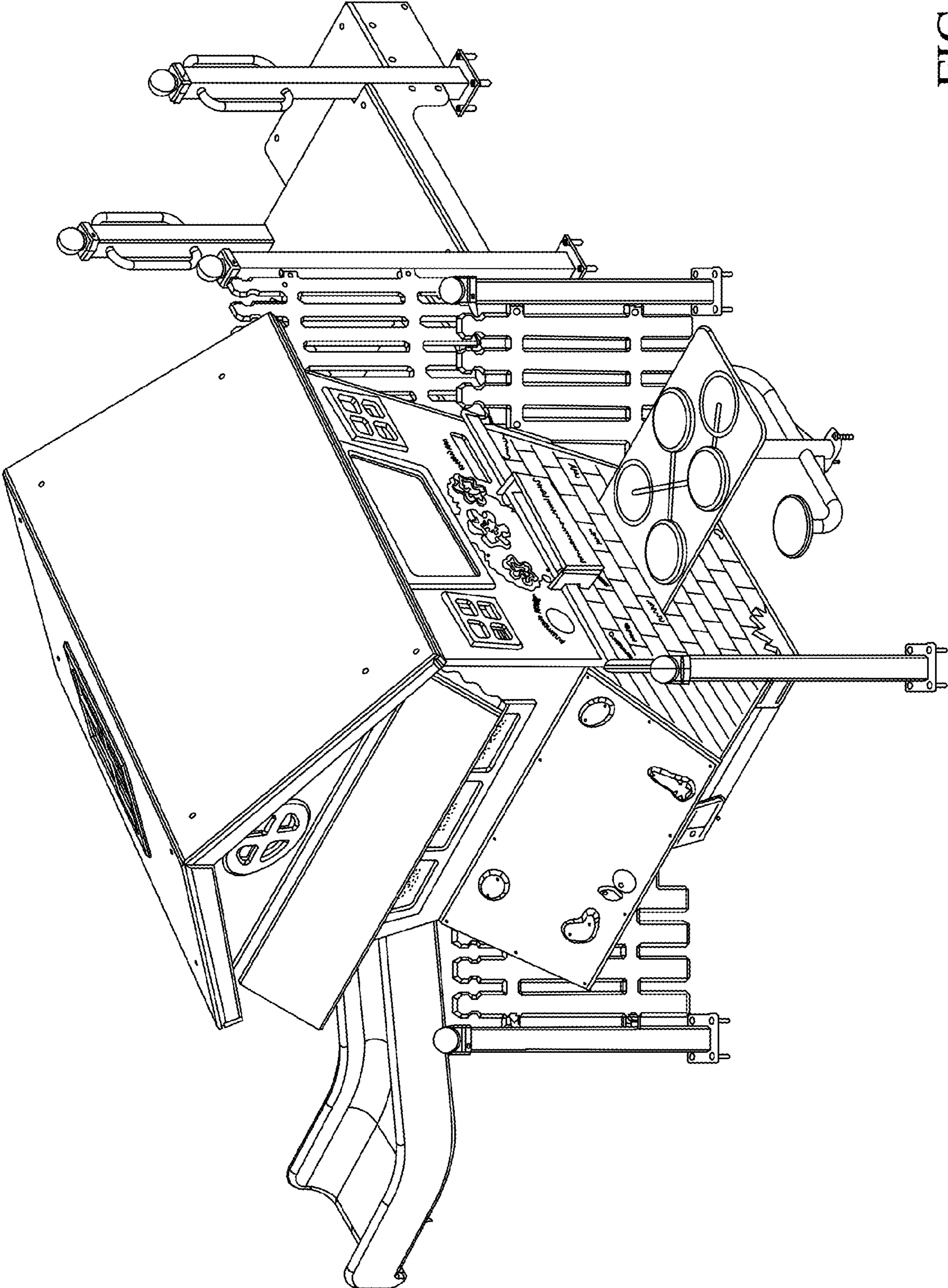


FIG. 1

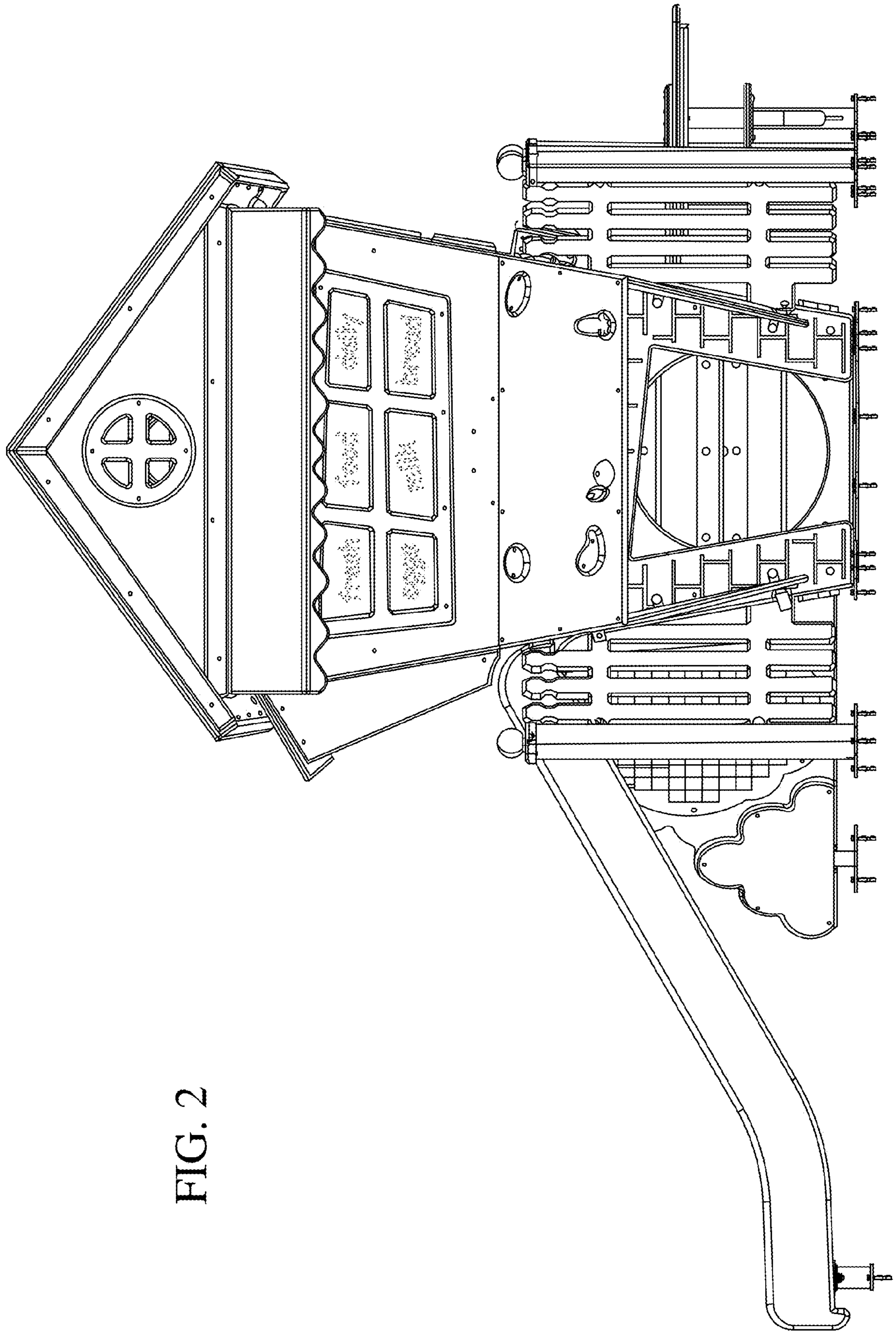
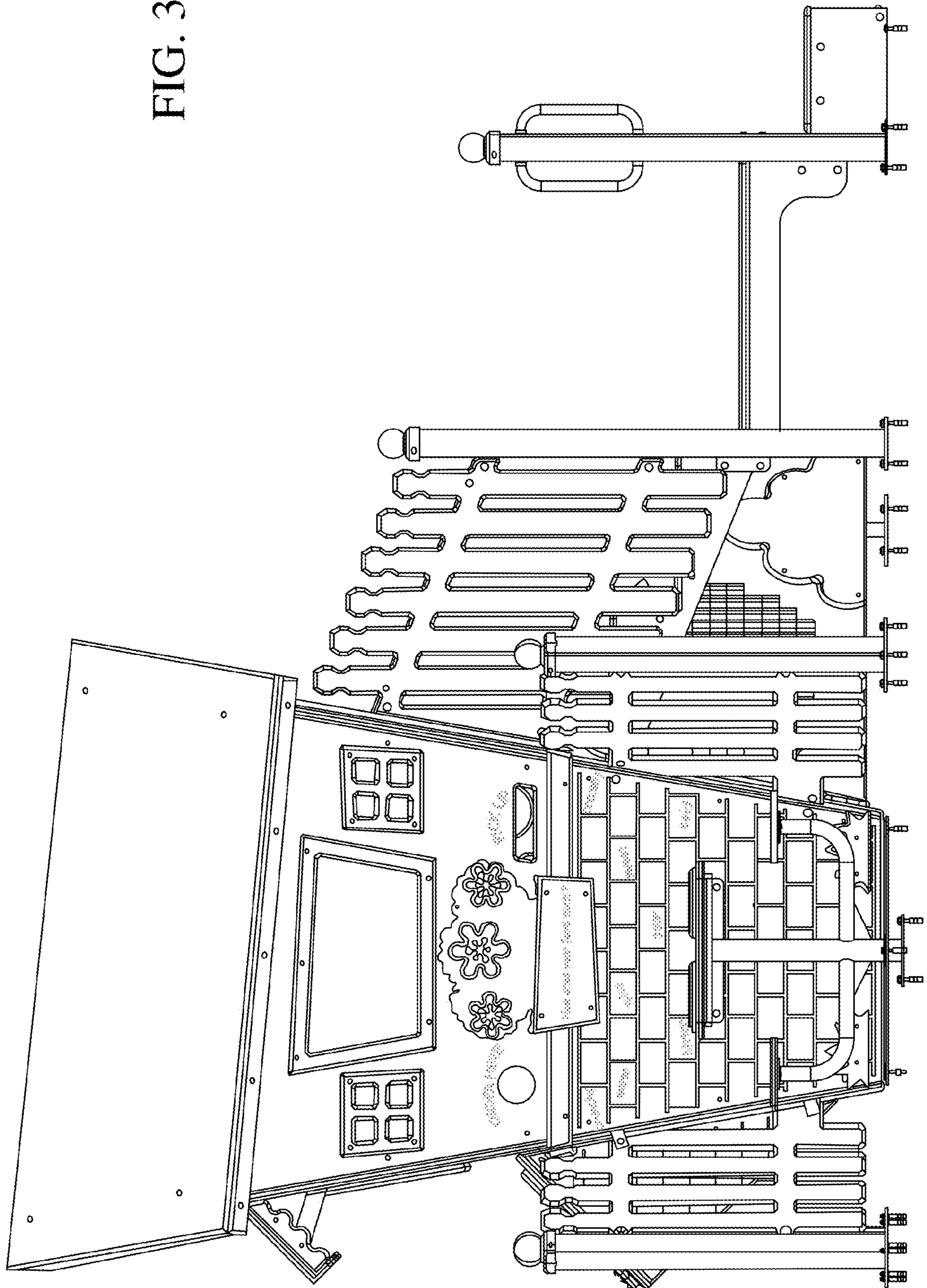


FIG. 2

FIG. 3



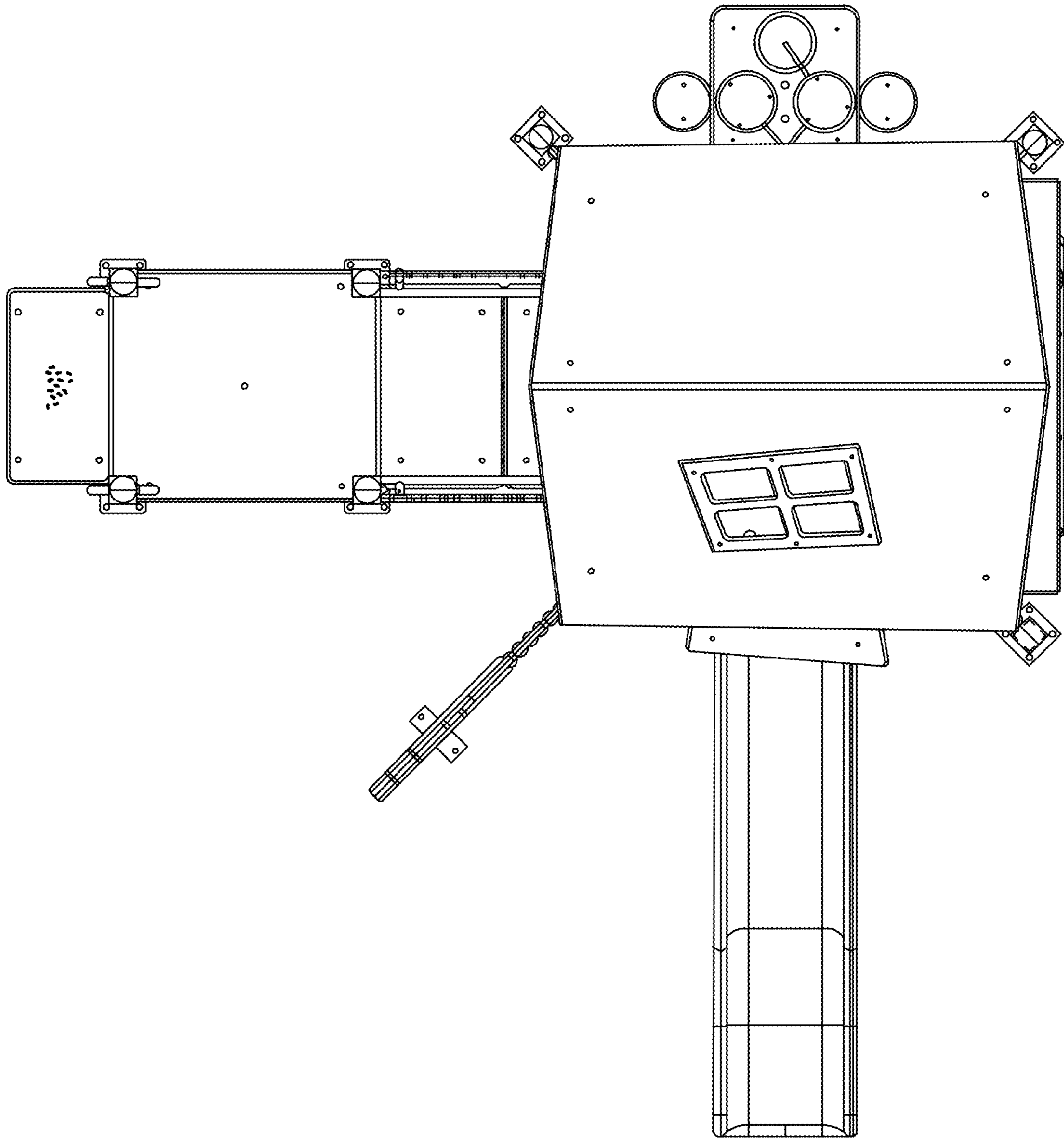


FIG. 4

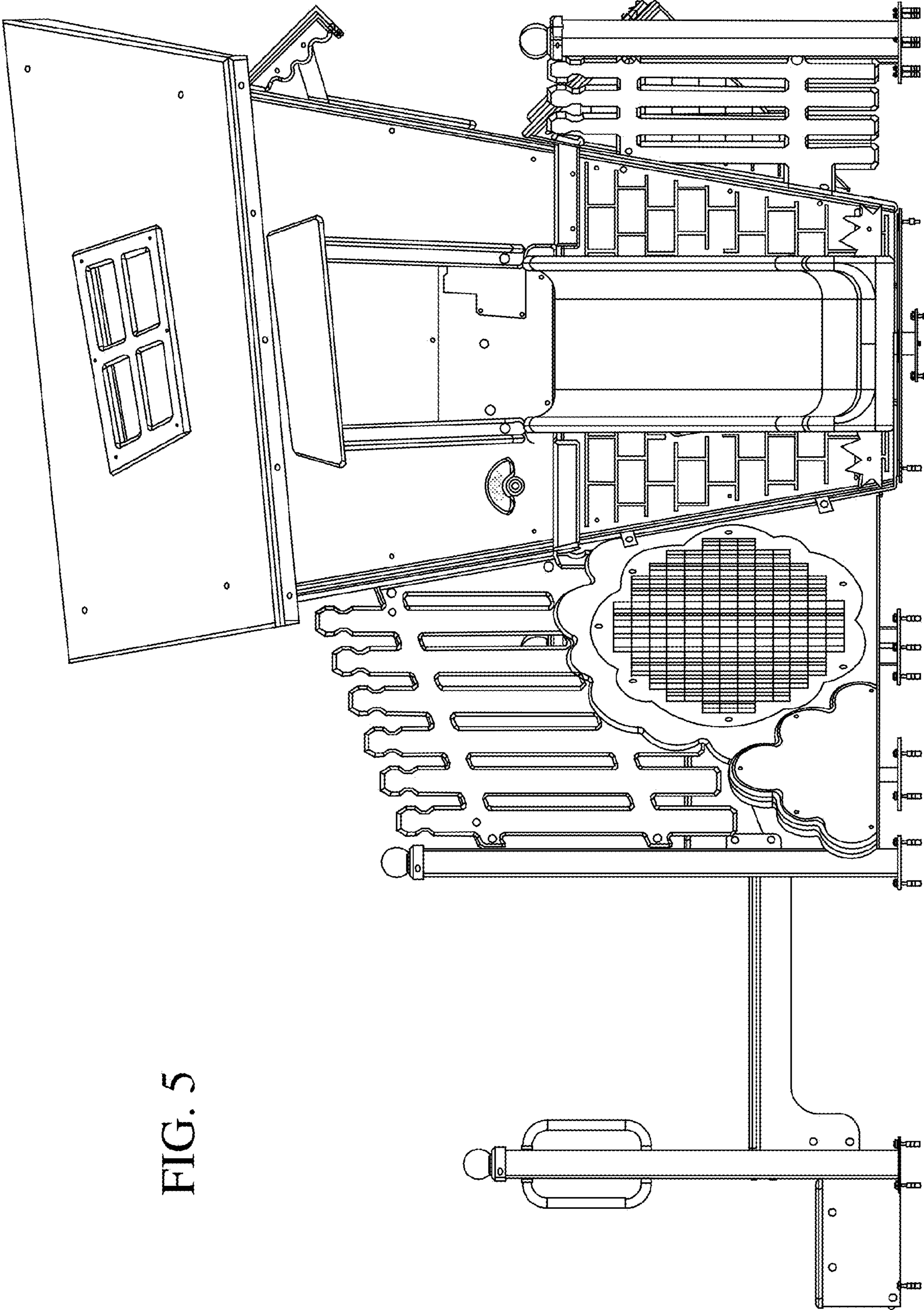
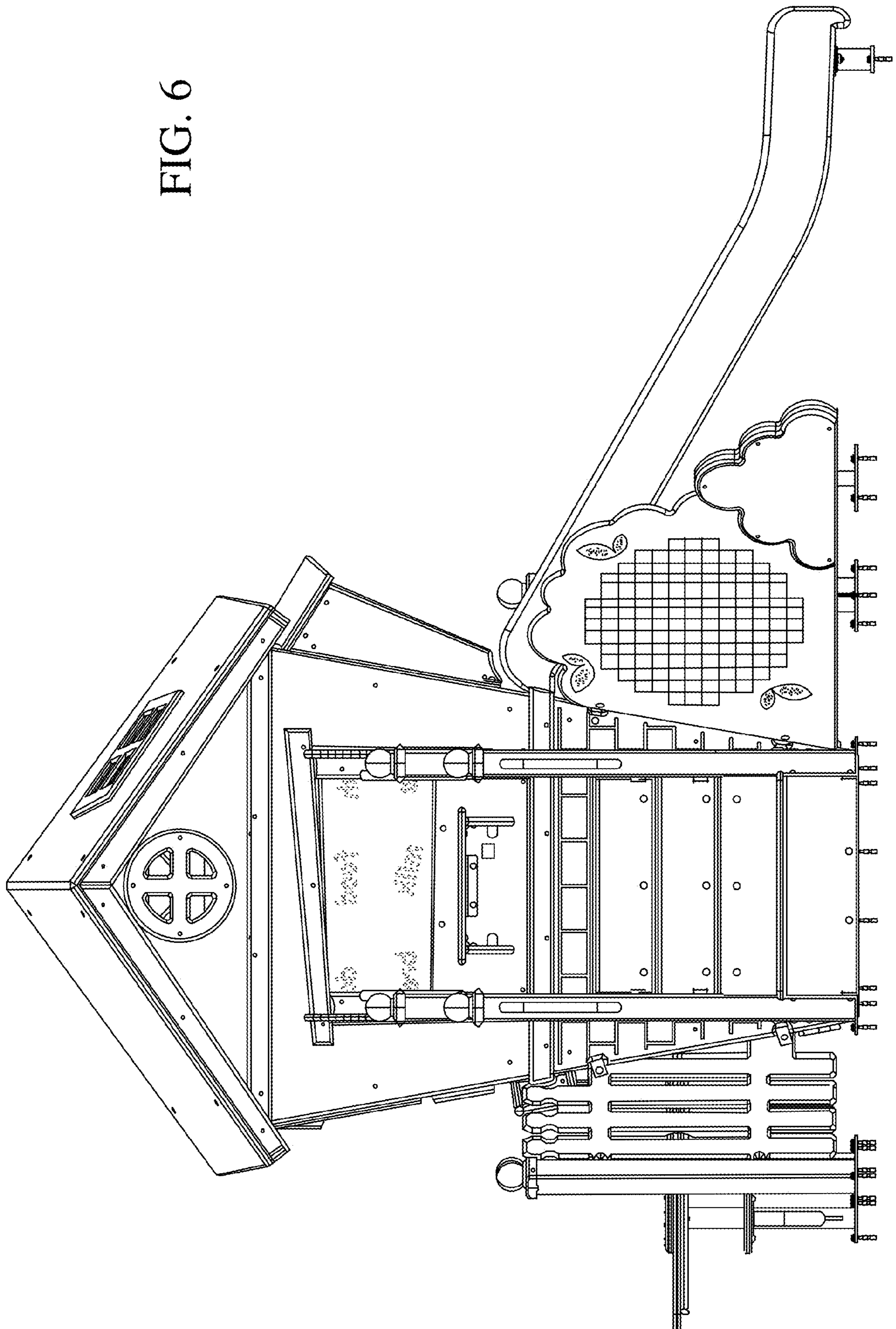


FIG. 5

FIG. 6



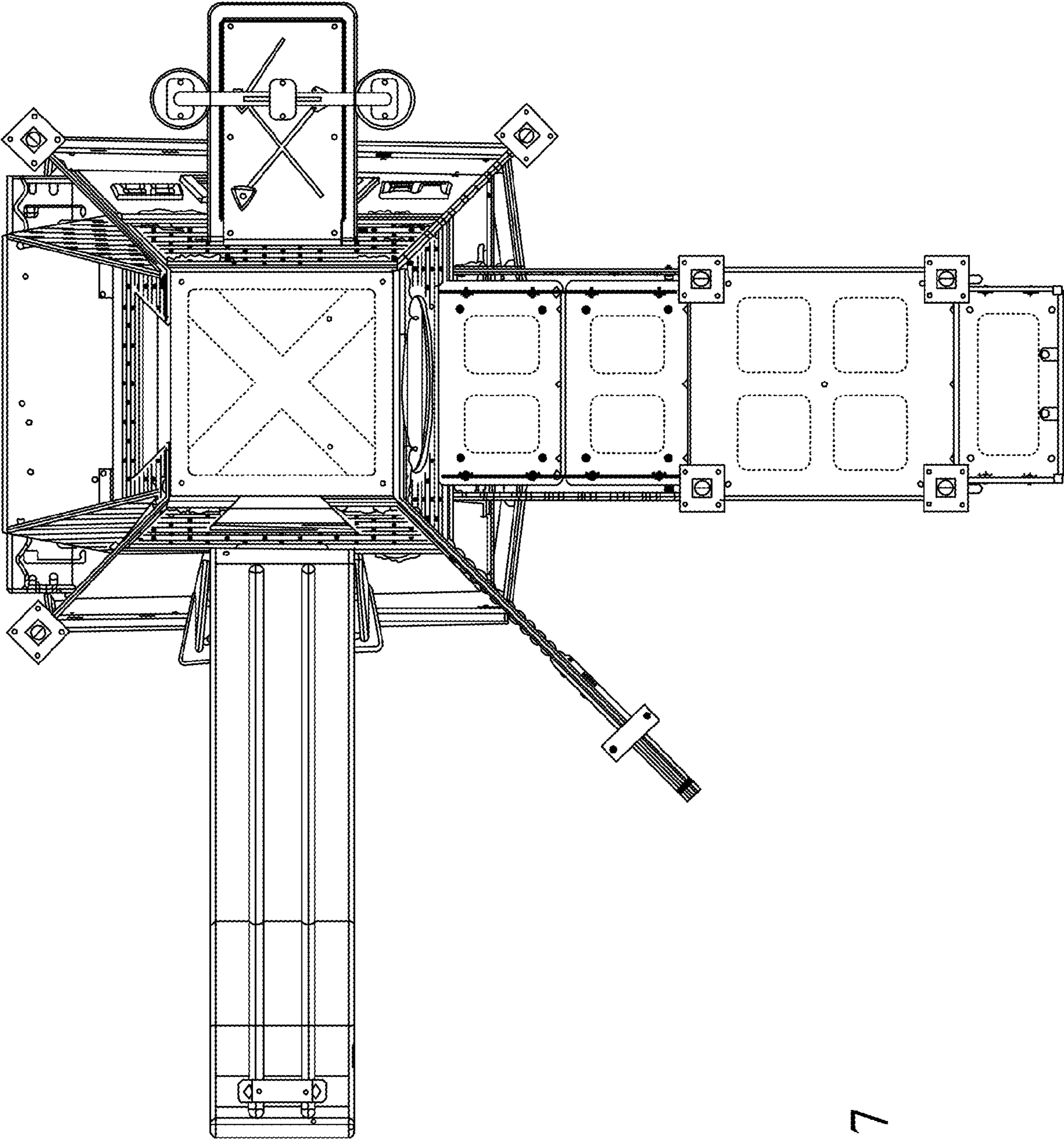


FIG. 7