



US00D873364S

(12) **United States Design Patent**
Hsu et al.

(10) **Patent No.:** **US D873,364 S**

(45) **Date of Patent:** **** Jan. 21, 2020**

(54) **INFLATABLE DOG FLOAT**
(71) Applicant: **Intex Marketing Ltd.**, Tortola (VG)
(72) Inventors: **Yaw Yuan Hsu**, Fujian (CN); **Kun Chao Hsu**, Fujian (CN)
(73) Assignee: **Intex Marketing Ltd.**, Tortola (VG)
(**) Term: **15 Years**

D347,329 S * 5/1994 Wilkins D21/808
D350,586 S * 9/1994 Francis 5/930
D362,895 S * 10/1995 Nicholson D21/650
5,679,040 A * 10/1997 Bianchi-Holm A47C 20/00
441/129
D413,643 S * 9/1999 Langley, III D21/808
D428,466 S * 7/2000 Langley, III D21/808
D455,388 S * 4/2002 McKeeta D12/301
D457,216 S * 5/2002 Friar D21/803
D519,594 S * 4/2006 Brown D21/603

(Continued)

(21) Appl. No.: **29/655,618**

(22) Filed: **Jul. 5, 2018**

(30) **Foreign Application Priority Data**

Jan. 9, 2018 (CN) 2018 3 0008744

(51) **LOC (12) Cl.** **21-02**

(52) **U.S. Cl.**
USPC **D21/808**

(58) **Field of Classification Search**
USPC D21/617, 611, 801, 803, 808, 811, 835
CPC B63C 9/08; A63B 31/00; B63B 35/58
See application file for complete search history.

(56) **References Cited**

U.S. PATENT DOCUMENTS

1,566,858 A * 12/1925 Guinzburg B63C 9/08
43/3
D161,906 S * 2/1951 Cohen D21/608
D162,333 S * 3/1951 Moore D21/608
2,581,545 A * 1/1952 Long A63H 23/10
441/131
D289,191 S * 4/1987 Wolfe D21/808
D301,910 S * 6/1989 Wolfe D21/808
D302,998 S * 8/1989 Wolfe D21/808
D303,560 S * 9/1989 Scheurer D21/809
D306,472 S * 3/1990 Scheurer D21/809
D306,473 S * 3/1990 Scheurer D21/809
D306,474 S * 3/1990 Scheurer D21/809
D309,169 S * 7/1990 Scheurer D21/809
D335,908 S * 5/1993 Jackson D21/803

FOREIGN PATENT DOCUMENTS

CN 303092568 S 2/2015
CN 303740171 S 7/2016
CN 304278150 S 9/2017

OTHER PUBLICATIONS

2019 Swimline International Leisure Products, Inc Catalog; <http://www.swimline.com>.*

Primary Examiner — Mitchell I. Siegel

(74) *Attorney, Agent, or Firm* — Faegre Baker Daniels LLP

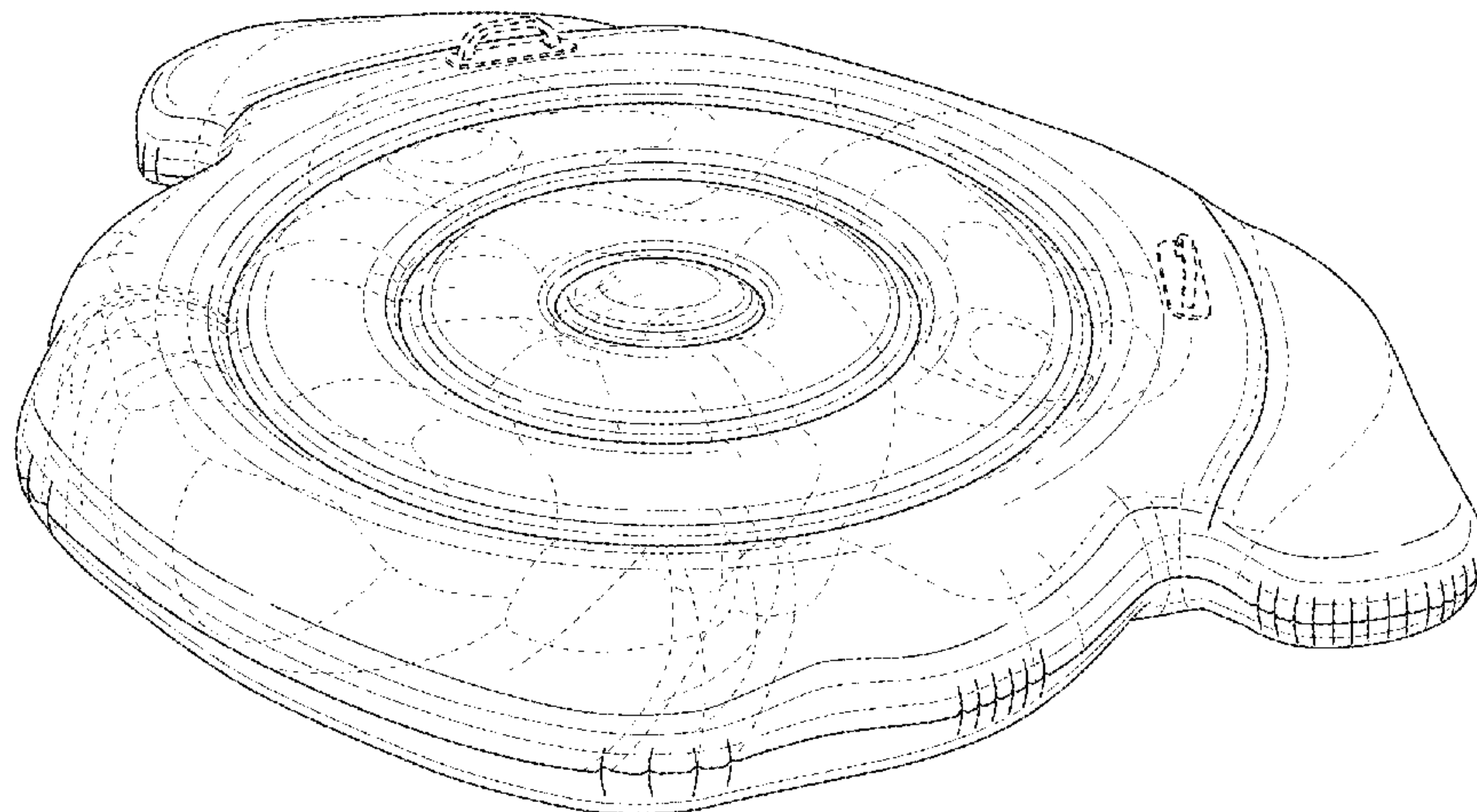
(57) **CLAIM**

We claim the ornamental design for an inflatable dog float, as shown and described.

DESCRIPTION

FIG. 1 is a perspective view of an inflatable dog float;
FIG. 2 is a top plan view thereof;
FIG. 3 is a bottom plan view thereof;
FIG. 4 is a left side elevational view thereof;
FIG. 5 is a right side elevational view thereof;
FIG. 6 is a front elevational view thereof; and,
FIG. 7 is a rear side elevational view thereof.
The broken lines in FIGS. 1-7 represent portions of the inflatable dog float that form no part of the claimed design.

1 Claim, 5 Drawing Sheets



(56)

References Cited

U.S. PATENT DOCUMENTS

D571,429	S	*	6/2008	Roberts	D21/803
D586,871	S	*	2/2009	Vessey	D21/803
D603,926	S	*	11/2009	Merker	D21/803
D626,192	S	*	10/2010	Hunter	D21/803
D632,354	S	*	2/2011	Perry	D21/803
D665,865	S	*	8/2012	Goolie	D21/604
D680,184	S	*	4/2013	O'Rourke	D21/835
D722,667	S	*	2/2015	Hsu	D21/803
D726,273	S	*	4/2015	Wampold	D21/809
D759,182	S	*	6/2016	Wampold	D21/808
D775,295	S	*	12/2016	Wampold	D1/106
D776,766	S		1/2017	Weisman et al.		
D783,370	S	*	4/2017	Su	D7/619.2
D785,119	S	*	4/2017	Hempton	D21/808
D785,120	S	*	4/2017	Wampold	D21/808
D787,617	S	*	5/2017	Krepack	D21/808
D793,510	S	*	8/2017	George, II	D21/803
D793,513	S	*	8/2017	George, II	D21/803
D793,515	S	*	8/2017	George, II	D21/808
D799,627	S	*	10/2017	de Grasse	D21/808
D806,815	S	*	1/2018	Su	D21/808
D819,152	S	*	5/2018	Liu	D21/803
D827,751	S	*	9/2018	Ligeri	D21/808
D832,963	S	*	11/2018	Su	D21/801
D839,983	S	*	2/2019	Cirjak	D21/815
D842,413	S	*	3/2019	Ligeri	D21/808
D842,414	S	*	3/2019	Ligeri	D21/808
D846,679	S	*	4/2019	Ligeri	D21/808

* cited by examiner

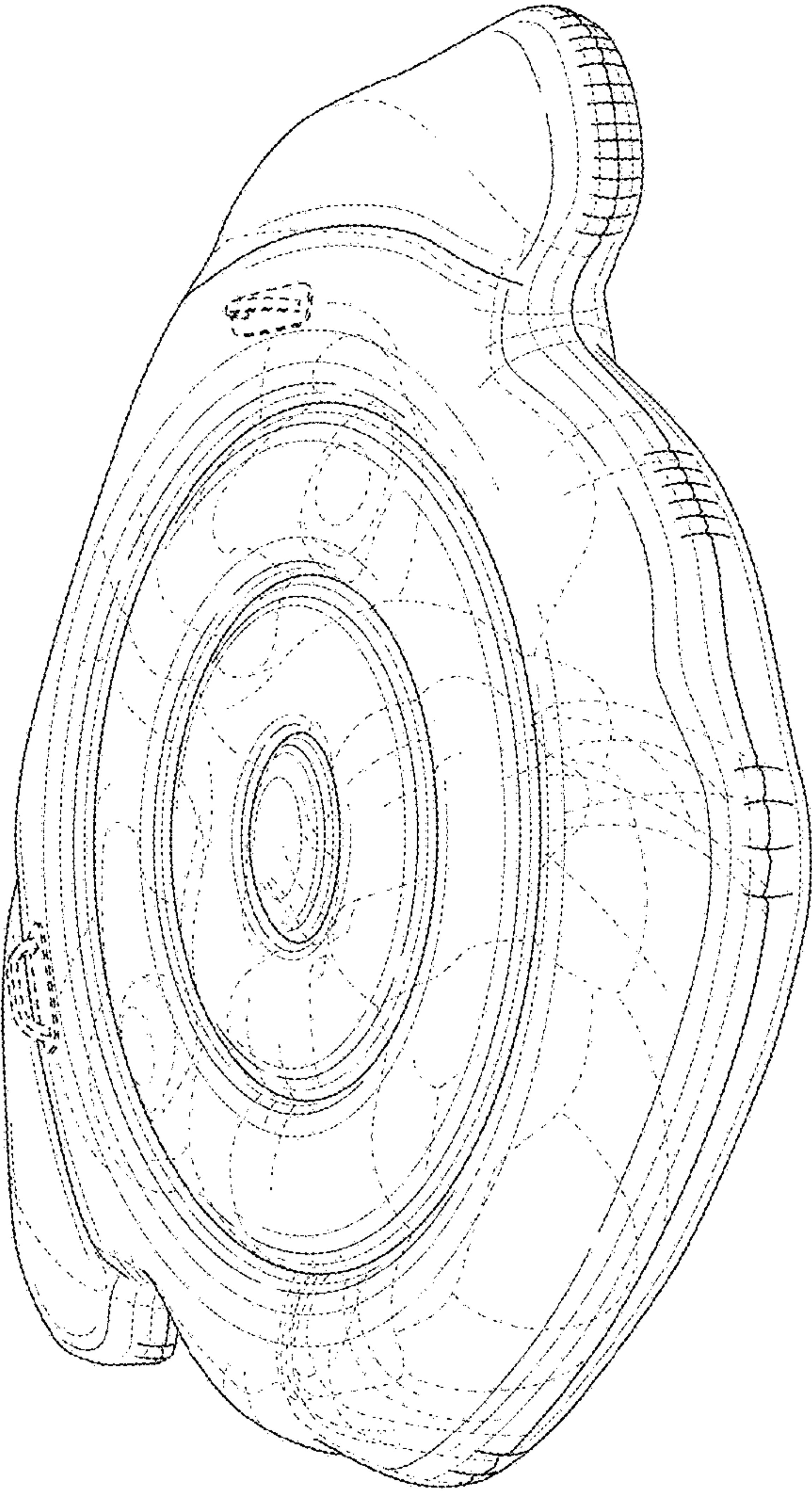


FIG. 1

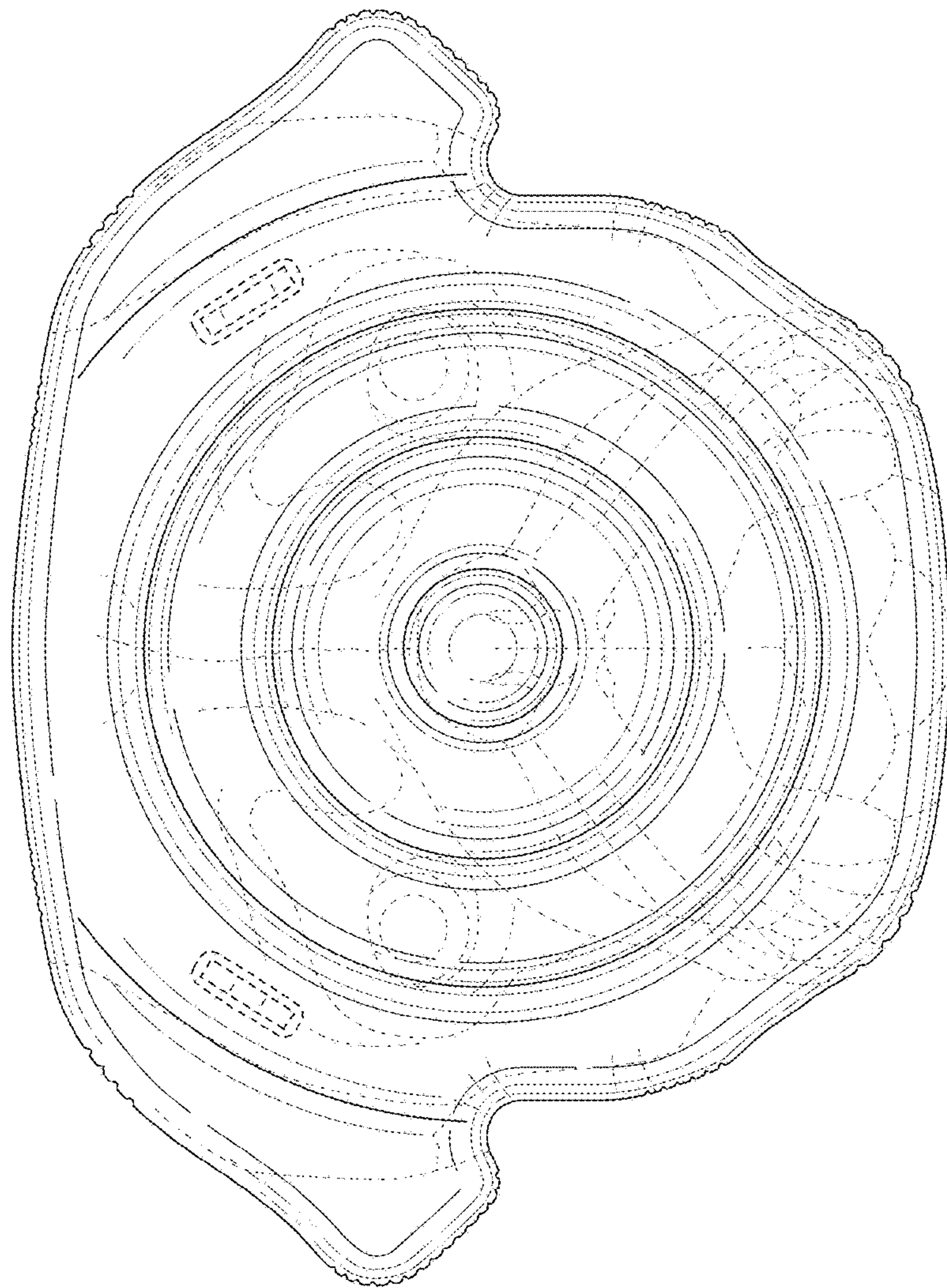


FIG. 2

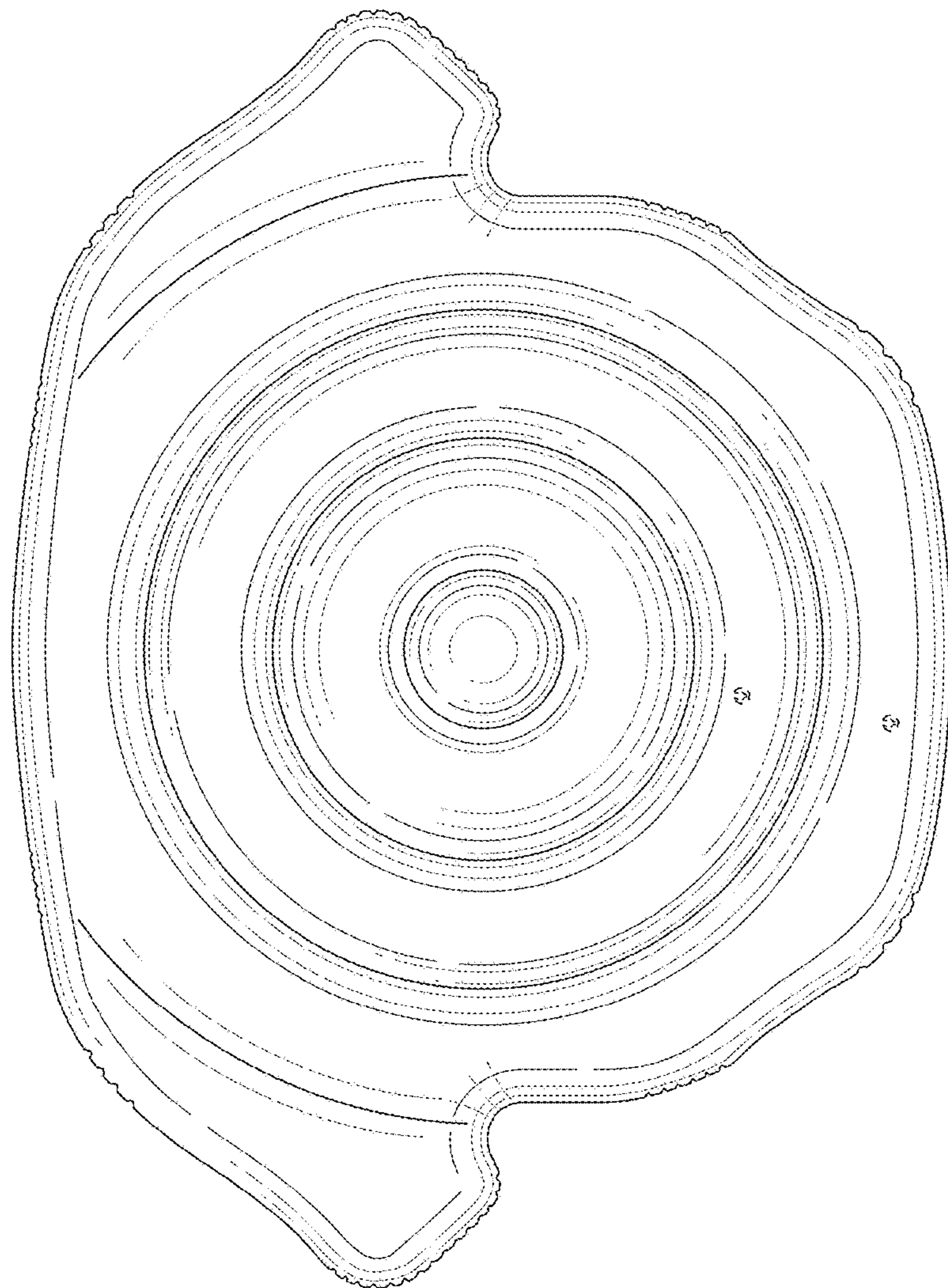


FIG. 3

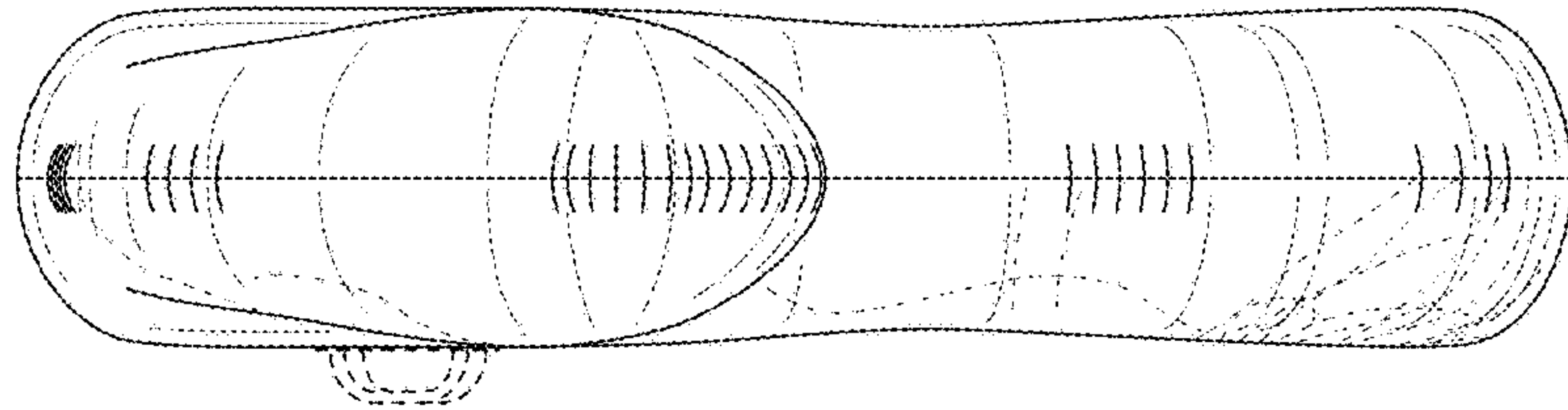


FIG. 5

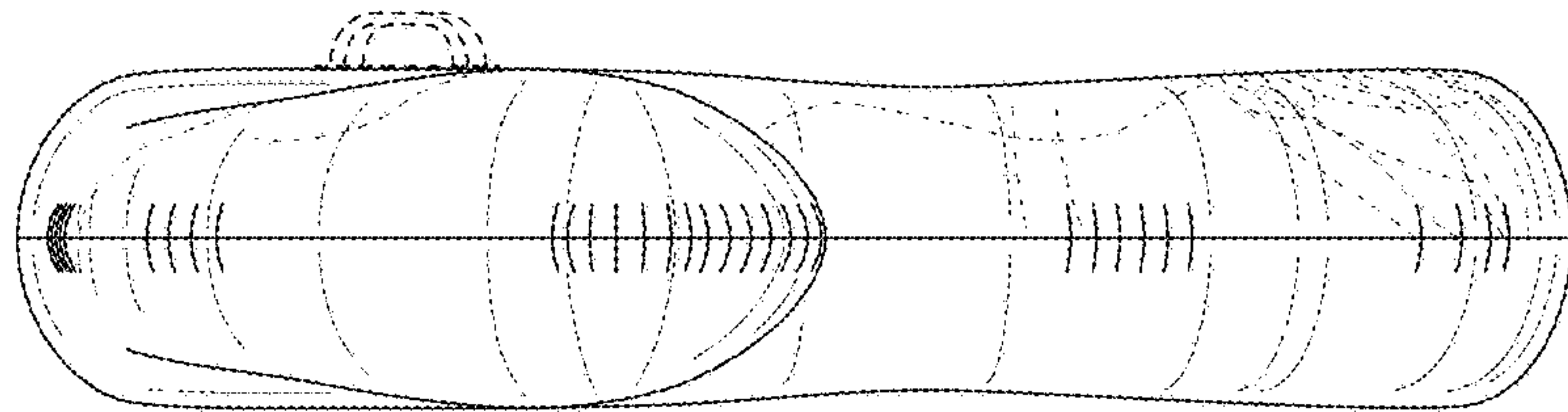


FIG. 4

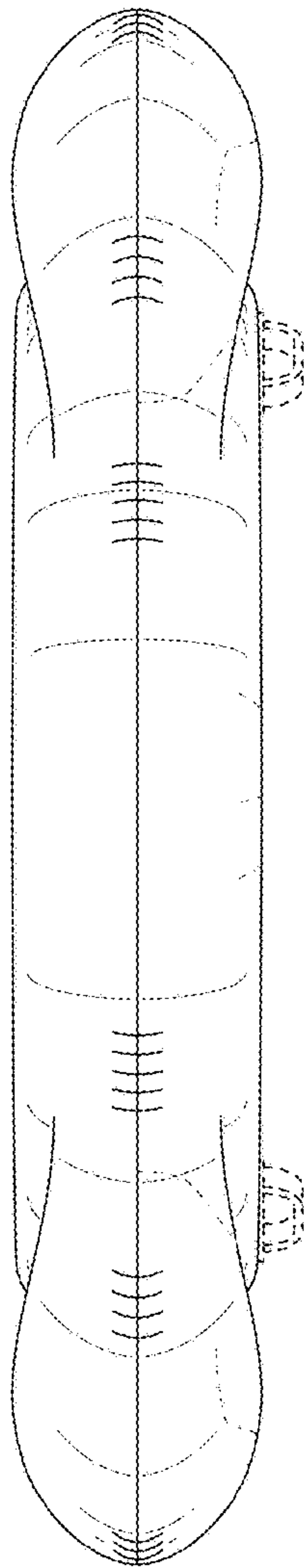


FIG. 6

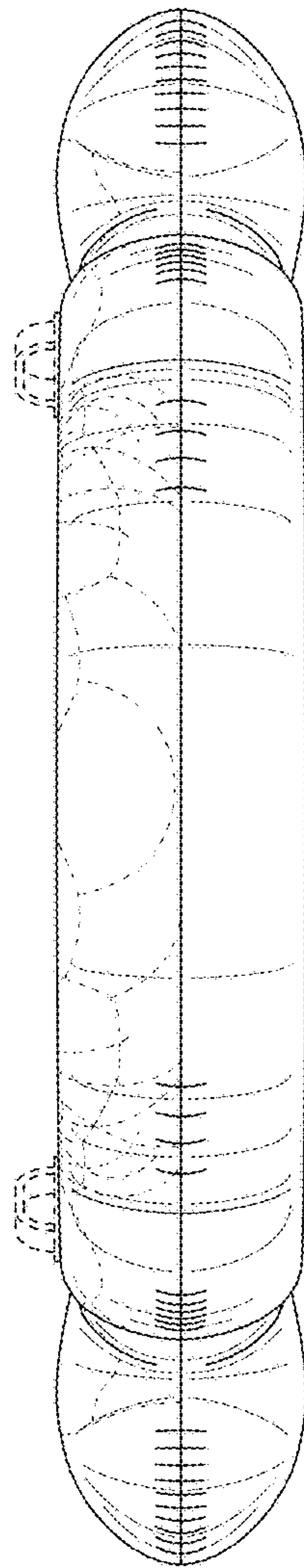


FIG. 7

UNITED STATES PATENT AND TRADEMARK OFFICE
CERTIFICATE OF CORRECTION

PATENT NO. : D873,364 S
APPLICATION NO. : 29/655618
DATED : January 21, 2020
INVENTOR(S) : Yaw Yuan Hsu et al.

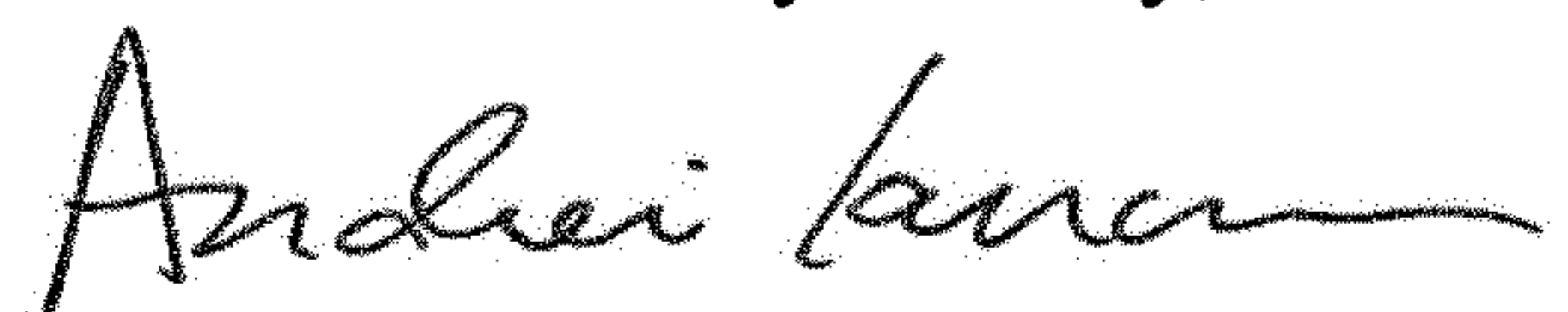
Page 1 of 1

It is certified that error appears in the above-identified patent and that said Letters Patent is hereby corrected as shown below:

On the Title Page

Specifically, Column 1, Item (30) under Foreign Application Priority Data, Please amend the foreign priority reference number to read "201830008744.7".

Signed and Sealed this
Nineteenth Day of May, 2020



Andrei Iancu
Director of the United States Patent and Trademark Office