



US00D873358S

(12) **United States Design Patent**  
**Lee et al.**

(10) **Patent No.:** **US D873,358 S**  
(45) **Date of Patent:** **\*\* Jan. 21, 2020**

(54) **GOLF CLUB HEAD**

(71) Applicant: **KARSTEN MANUFACTURING CORPORATION**, Phoenix, AZ (US)

(72) Inventors: **Daniel K. Lee**, Chandler, AZ (US);  
**Calvin S. Wang**, Chandler, AZ (US);  
**Xiaojian Chen**, Phoenix, AZ (US)

(73) Assignee: **Karsten Manufacturing Corporation**, Phoenix, AZ (US)

(\*\*) Term: **15 Years**

(21) Appl. No.: **29/666,053**

(22) Filed: **Oct. 9, 2018**

(51) **LOC (12) Cl.** ..... **21-02**

(52) **U.S. Cl.**  
USPC ..... **D21/744**

(58) **Field of Classification Search**  
USPC ..... D21/736-746, 759  
CPC ..... A63B 53/00; A63B 53/04; A63B 53/007;  
A63B 53/065; A63B 53/0487; A63B  
60/00; A63B 60/46  
See application file for complete search history.

(56) **References Cited**

**U.S. PATENT DOCUMENTS**

D379,484 S	*	5/1997	Solheim	.....	D21/745
D396,083 S	*	7/1998	Sheets	.....	D21/742
D398,685 S	*	9/1998	Masuda	.....	D21/736
D399,911 S	*	10/1998	Nicolette	.....	D21/736
D400,610 S	*	11/1998	Cameron	.....	D21/742
D400,942 S	*	11/1998	Billings	.....	D21/742
D402,343 S	*	12/1998	Helmstetter	.....	D21/738

(Continued)

**FOREIGN PATENT DOCUMENTS**

JP	1344474	11/2008
JP	1543725	2/2016
JP	1578369	6/2017

**OTHER PUBLICATIONS**

Mizuno Corporation Website [http://mizunoshop.net/disp/CSfDetailGdsImage\\_001.jsp?GOODS\\_NO=142889&IMG\\_NO=1](http://mizunoshop.net/disp/CSfDetailGdsImage_001.jsp?GOODS_NO=142889&IMG_NO=1). TX-V Series p. 6 SP-22.

*Primary Examiner* — Mitchell I. Siegel

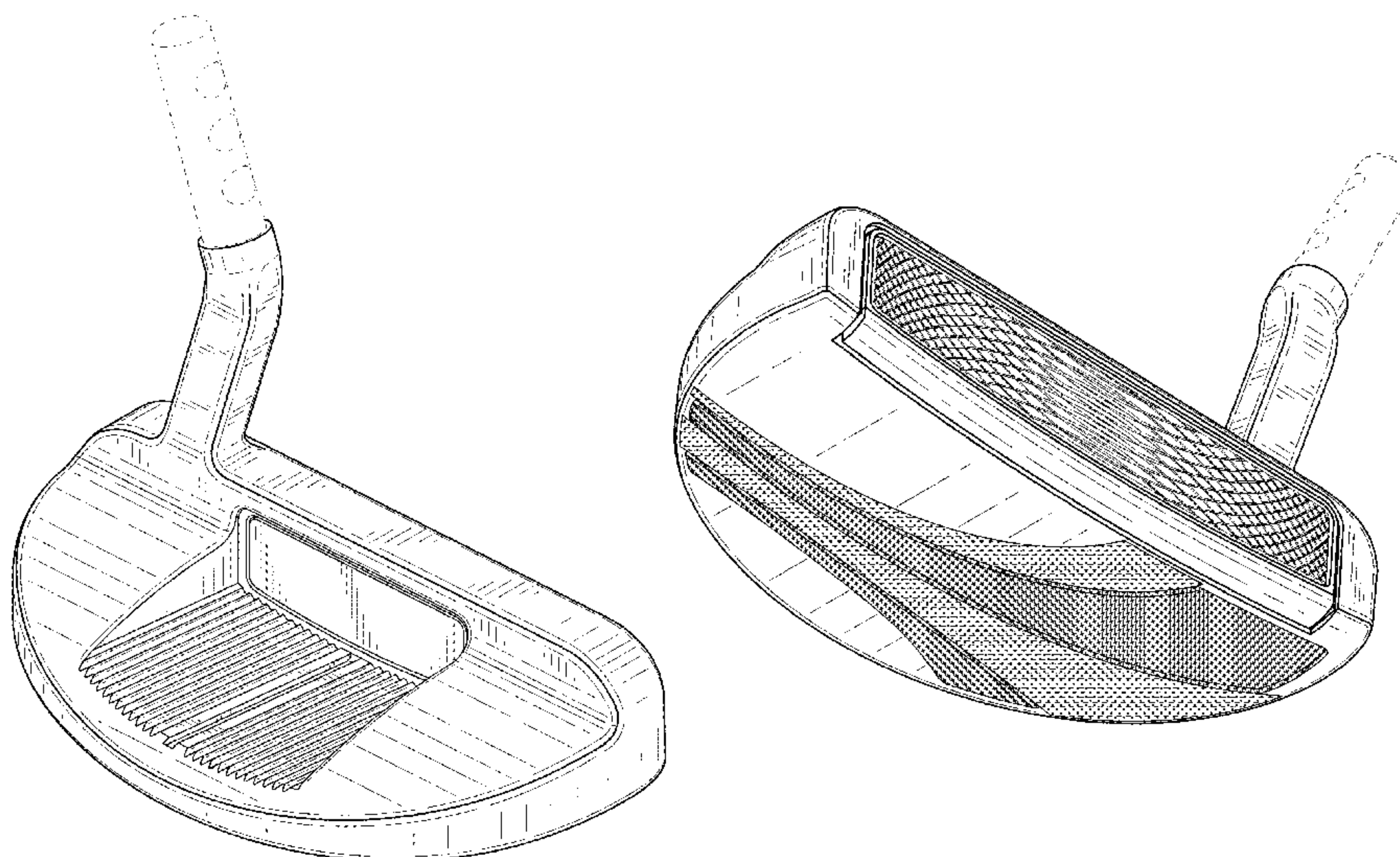
(57) **CLAIM**

The ornamental design for a golf club head, as shown and described.

**DESCRIPTION**

FIG. 1 is a top perspective view of a golf club head; FIG. 2 is a bottom perspective view of the golf club head of FIG. 1; FIG. 3 is a top view of the golf club head of FIG. 1; FIG. 4 is a bottom view of the golf club head of FIG. 1; FIG. 5 is a front view of the golf club head of FIG. 1; FIG. 6 is a rear view of the golf club head of FIG. 1; FIG. 7 is a heel side view of the golf club head of FIG. 1; FIG. 8 is a toe side view of the golf club head of FIG. 1; FIG. 9 is a top perspective of a second embodiment of the golf club head; FIG. 10 is a bottom perspective view of the golf club head of FIG. 9; FIG. 11 is a top view of the golf club head of FIG. 9; FIG. 12 is a bottom view of the golf club head of FIG. 9; FIG. 13 is a front view of the golf club head of FIG. 9; FIG. 14 is a rear view of the golf club head of FIG. 9; FIG. 15 is a heel side view of the golf club head of FIG. 9; and, FIG. 16 is a toe side view of the golf club head of FIG. 9. The broken lines shown are included for the purpose of illustrating unclaimed subject matter and forms no part of the claimed design. A portion of the bottom surface disclosed on FIGS. 9-16 is stippled heavier and lighter to illustrate contrasting appearance.

**1 Claim, 12 Drawing Sheets**





(56)

References Cited

U.S. PATENT DOCUMENTS

D405,836 S	2/1999	Nicolette et al.	
D405,856 S *	2/1999	Tang .....	D21/744
D407,445 S	3/1999	Rollinson et al.	
D410,267 S	5/1999	Solheim	
D411,271 S	6/1999	Nelson	
D428,086 S	7/2000	Solheim	
D441,820 S	5/2001	Nicolette et al.	
D443,905 S	6/2001	Nicolette et al.	
D444,833 S	7/2001	Wells et al.	
D449,085 S	10/2001	Breier et al.	
D450,799 S	11/2001	Nicolette et al.	
D451,973 S	12/2001	Wells et al.	
D454,169 S	3/2002	Solheim	
D458,657 S *	6/2002	Shmoldas .....	D21/743
6,402,638 B1	6/2002	Kelley	
D464,099 S	10/2002	Cole	
D467,291 S	12/2002	Ngon	
D472,949 S	4/2003	Serrano	
D474,821 S	5/2003	Wells et al.	
D477,041 S	7/2003	Cameron	
6,634,956 B1	10/2003	Pegg	
D483,086 S	12/2003	Schweigert et al.	
6,663,497 B2	12/2003	Cameron	
D485,592 S	1/2004	Hettinger et al.	
D486,872 S	2/2004	Schweigert	
D488,200 S	4/2004	Olsavsky et al.	
D494,237 S	8/2004	Ware	
D498,276 S	11/2004	Schweigert	
D499,778 S	12/2004	Cameron	
D500,109 S	12/2004	Solheim et al.	
D500,110 S	12/2004	Solheim et al.	
D500,539 S	1/2005	Holloway	
D502,234 S	2/2005	Grace	
D502,748 S	3/2005	Burrows	
D505,702 S	5/2005	Wood	
D506,795 S	6/2005	Petersen	
D506,796 S	6/2005	Li	
D507,613 S	7/2005	Baiocchi	
D508,273 S	8/2005	Garner et al.	
D510,394 S	10/2005	Tang et al.	
D511,802 S *	11/2005	Cameron .....	D21/744
6,960,140 B2	11/2005	Solheim et al.	
6,966,845 B2	11/2005	Solheim et al.	
D514,181 S *	1/2006	Cameron .....	D21/738
D514,182 S	1/2006	Olsavsky et al.	
D515,646 S	2/2006	Perry	
7,004,849 B2	2/2006	Cameron	
D517,143 S	3/2006	Petsel et al.	
D518,127 S	3/2006	Tang et al.	
D520,583 S	5/2006	Rollinson et al.	
D521,582 S	5/2006	Souza et al.	
7,052,411 B2	5/2006	Solheim et al.	
D522,598 S	6/2006	Solheim et al.	
D524,887 S	7/2006	Jones et al.	
D525,327 S	7/2006	Jones et al.	
D525,328 S	7/2006	Solheim et al.	
D525,329 S	7/2006	Jones et al.	
7,077,758 B2	7/2006	Rohrer	
D527,777 S	9/2006	Solheim et al.	
D529,560 S	10/2006	Madore	
D532,468 S *	11/2006	Hettinger .....	D21/743
D532,842 S	11/2006	Jones et al.	
D532,843 S	11/2006	Jones et al.	
D532,845 S	11/2006	Rollinson	
D532,846 S	11/2006	Lee et al.	
D533,243 S	12/2006	Fife et al.	
D533,609 S	12/2006	Moore et al.	
7,147,569 B2	12/2006	Tang et al.	
D534,974 S	1/2007	Haack	
D536,400 S	2/2007	Dibattista	
D537,135 S	2/2007	Rollinson	
D539,860 S	4/2007	Fussell	
D542,873 S	5/2007	Oldknow	
D545,385 S	6/2007	Tang et al.	
D547,403 S	7/2007	Serrano et al.	
D547,404 S	7/2007	Serrano et al.	
D547,405 S	7/2007	Serrano et al.	
D548,295 S	8/2007	Jertson et al.	
D552,197 S	10/2007	Wells et al.	
D557,361 S	12/2007	Rollinson	
7,326,121 B2	2/2008	Roake	
D564,606 S	3/2008	Oldknow et al.	
D564,607 S	3/2008	Oldknow et al.	
D565,138 S	3/2008	Wilson	
D569,461 S	5/2008	Morris	
D569,462 S	5/2008	Rollinson	
D571,877 S	6/2008	Jones et al.	
D571,878 S	6/2008	Jones et al.	
D571,879 S	6/2008	Jones et al.	
7,390,267 B2	6/2008	Grace	
D573,673 S	7/2008	Noyes	
D574,907 S	8/2008	Jones et al.	
D574,908 S	8/2008	Hettinger et al.	
D574,909 S	8/2008	Jones et al.	
D574,910 S	8/2008	Jones et al.	
D574,911 S	8/2008	Jones et al.	
D574,912 S	8/2008	Jones et al.	
D575,366 S	8/2008	Rollinson	
D577,085 S	9/2008	Nicolette et al.	
D577,086 S	9/2008	Nicolette et al.	
D577,398 S	9/2008	Hilton	
D579,505 S	10/2008	Jones	
D579,506 S	10/2008	Nicolette et al.	
D579,995 S	11/2008	Nicolette et al.	
7,455,599 B2	11/2008	Jones	
D582,497 S	12/2008	Rollinson	
D583,886 S	12/2008	Cameron	
D585,510 S	1/2009	Murrieta	
7,473,189 B2	1/2009	Schweigert et al.	
7,481,713 B2	1/2009	Beckman	
D587,325 S	2/2009	Solheim et al.	
D588,657 S	3/2009	Hettinger et al.	
D590,035 S	4/2009	Hilton	
D590,461 S	4/2009	Kim et al.	
D590,463 S *	4/2009	Hettinger .....	D21/743
D591,371 S	4/2009	Hilton	
D591,372 S	4/2009	Tang et al.	
D591,806 S	5/2009	Cameron	
D591,807 S	5/2009	Rollinson	
D592,717 S	5/2009	Rollinson	
D594,073 S	6/2009	Kadoya	
D594,517 S	6/2009	Tang et al.	
D594,917 S	6/2009	Stellander	
D595,372 S	6/2009	Rollinson	
D595,373 S	6/2009	Kim et al.	
D596,685 S	7/2009	Wallans	
D599,423 S	9/2009	Serrano et al.	
D599,424 S	9/2009	Serrano et al.	
D599,425 S	9/2009	Laub	
D599,868 S	9/2009	Serrano et al.	
D599,869 S	9/2009	Serrano et al.	
D599,870 S	9/2009	Serrano et al.	
D600,760 S	9/2009	Serrano et al.	
D600,761 S	9/2009	Solheim et al.	
D600,762 S	9/2009	Serrano et al.	
D601,214 S	9/2009	Serrano et al.	
D603,008 S	10/2009	Donahue	
7,601,076 B2	10/2009	Rollinson	
D604,782 S *	11/2009	Franklin .....	D21/736
D606,139 S	12/2009	Ines et al.	
7,645,199 B2	1/2010	Cameron	
D621,458 S	8/2010	Serrano et al.	
D621,459 S	8/2010	Serrano et al.	
D621,460 S	8/2010	Serrano et al.	
D621,461 S	8/2010	Serrano et al.	
D621,462 S	8/2010	Serrano et al.	
D621,891 S	8/2010	Serrano et al.	
D623,709 S	9/2010	Serrano et al.	
7,803,066 B2	9/2010	Solheim et al.	
D624,978 S	10/2010	Rollinson	
D634,801 S *	3/2011	Rollinson .....	D21/743
D635,625 S	4/2011	Rollinson	
D641,057 S	7/2011	Rollinson	
D641,440 S	7/2011	Hettinger et al.	

(56)

**References Cited**

## U.S. PATENT DOCUMENTS

D641,442	S	7/2011	Rollinson	
D644,703	S	* 9/2011	Serrano .....	D21/743
D648,408	S	* 11/2011	Teramoto .....	D21/743
D650,455	S	12/2011	Serrano et al.	
D650,457	S	12/2011	Rollinson	
D650,458	S	12/2011	Rollinson	
D652,092	S	1/2012	Rollinson	
D688,762	S	8/2013	Hilton et al.	
D690,378	S	9/2013	Rollinson	
D691,226	S	10/2013	Hilton et al.	
D691,681	S	10/2013	Hilton	
D720,022	S	* 12/2014	Rollinson .....	D21/736
D720,023	S	* 12/2014	Rollinson .....	D21/736
D733,233	S	6/2015	Dolezel et al.	
D769,996	S	* 10/2016	Abbott .....	D21/744
D777,268	S	1/2017	Becktor	
D779,006	S	* 2/2017	Abbott .....	D21/744
D792,536	S	7/2017	Wang	
D796,603	S	* 9/2017	Serrano .....	D21/744
D799,616	S	* 10/2017	Becktor .....	D21/742
D820,364	S	* 6/2018	Cameron .....	D21/743
D826,353	S	8/2018	Cameron	
2003/0228925	A1	12/2003	Rohrer	
2007/0021229	A1	1/2007	Haack	
2007/0049402	A1	3/2007	Sanchez et al.	
2007/0298904	A1	12/2007	Dworzan	
2009/0029800	A1	1/2009	Jones et al.	
2009/0105008	A1	4/2009	Kuan et al.	
2009/0170629	A1	7/2009	Hilton	
2009/0270196	A1	10/2009	Solheim et al.	
2009/0305806	A1	12/2009	Campadore et al.	
2009/0305807	A1	12/2009	Solheim et al.	

\* cited by examiner



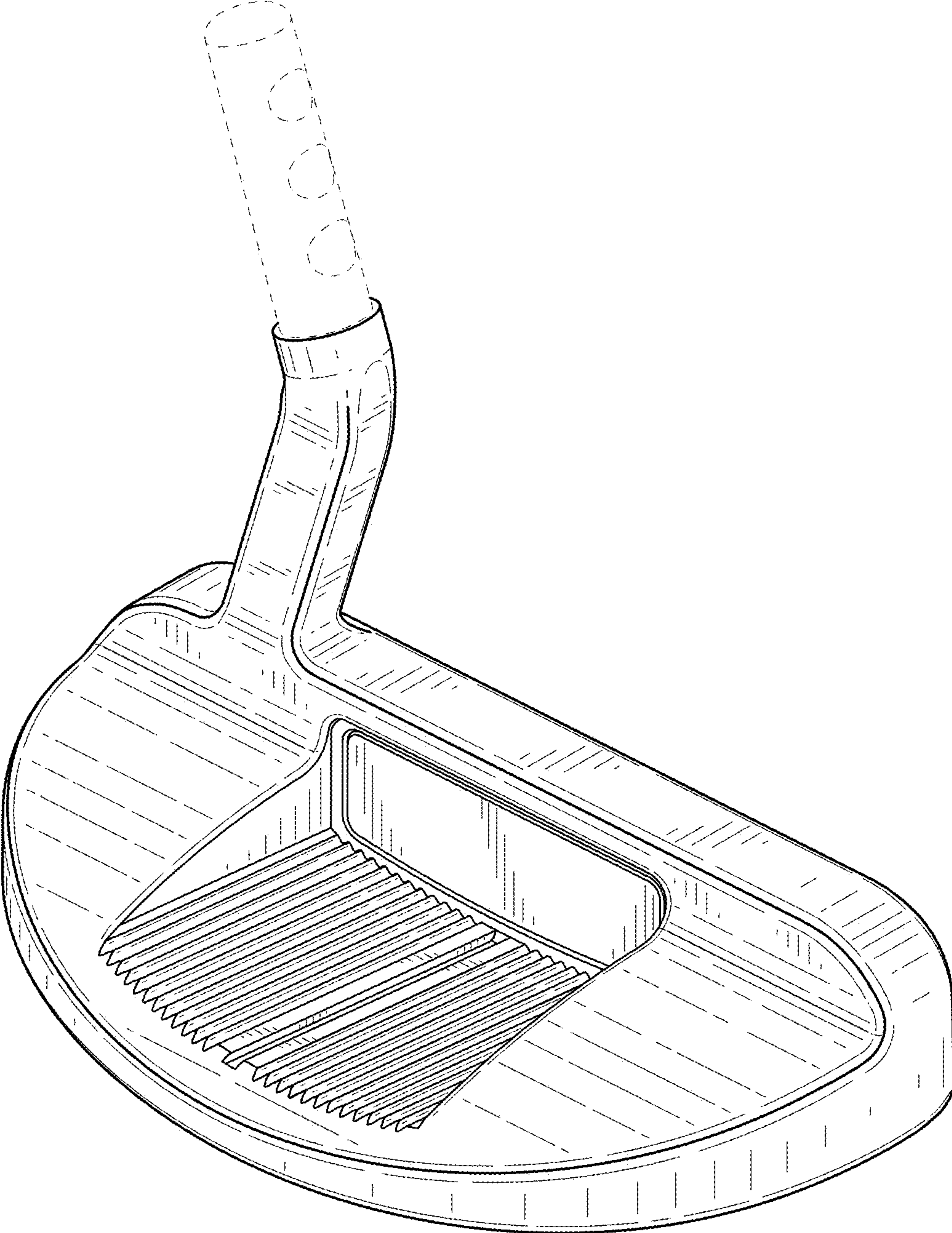


FIG. 1

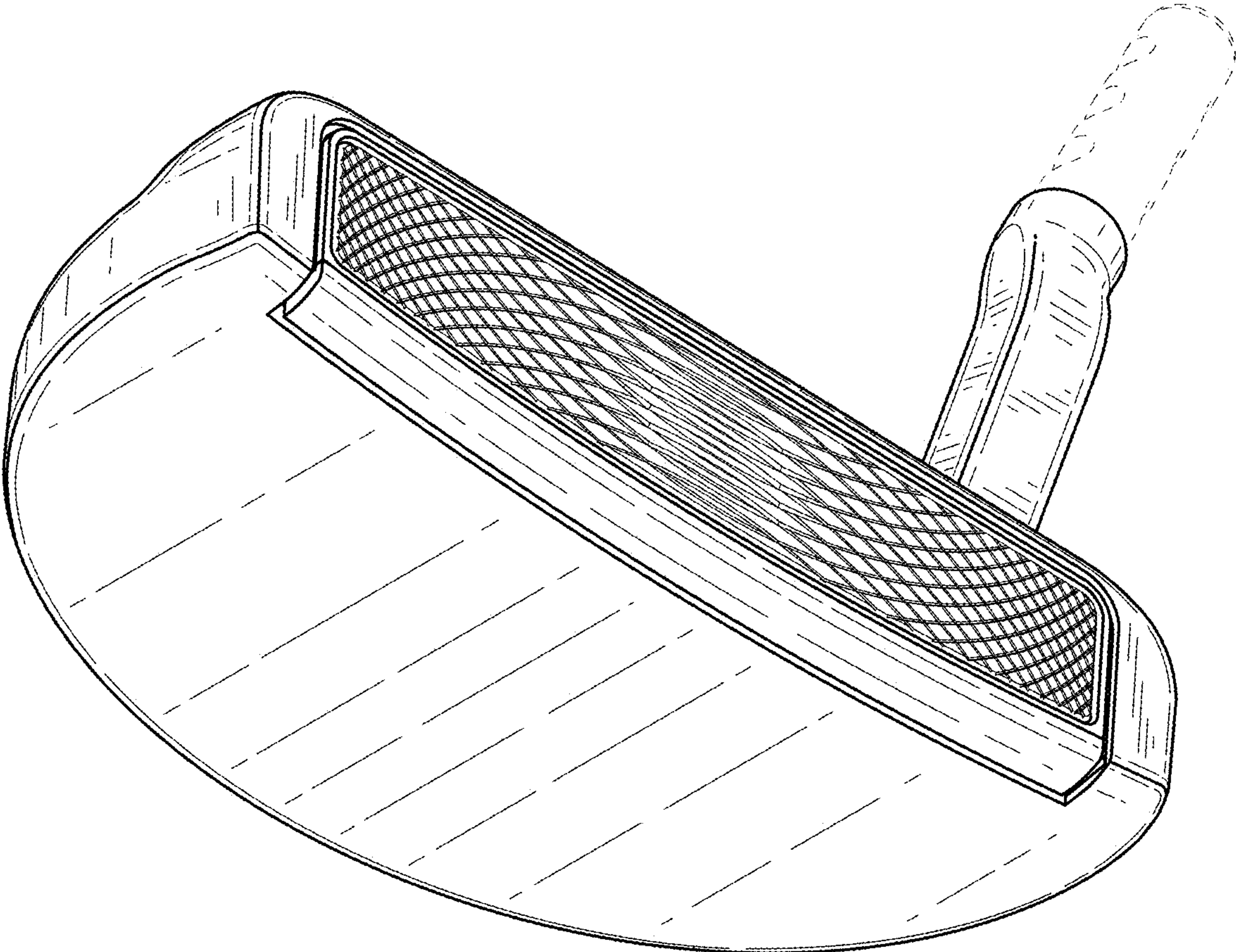
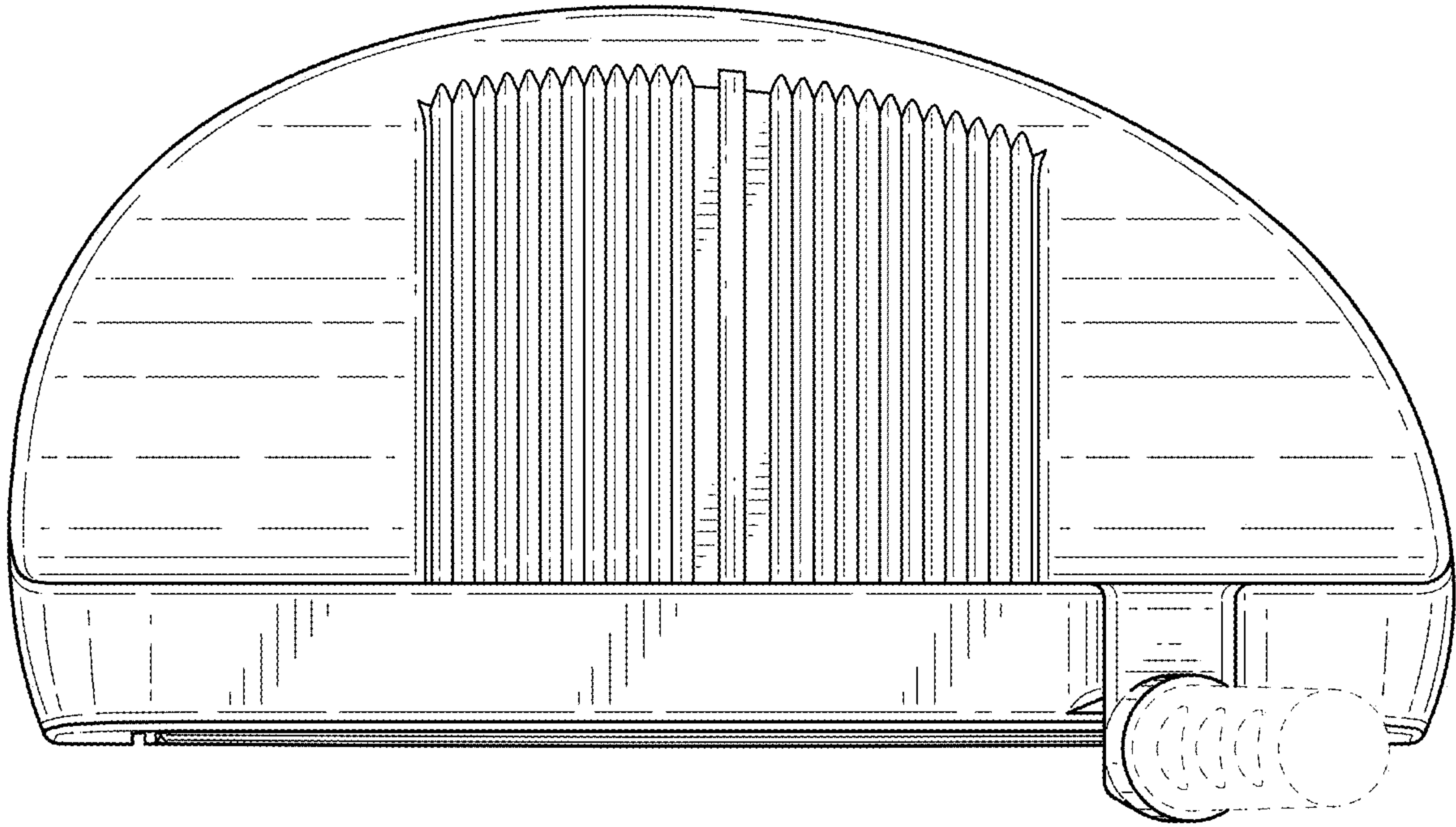
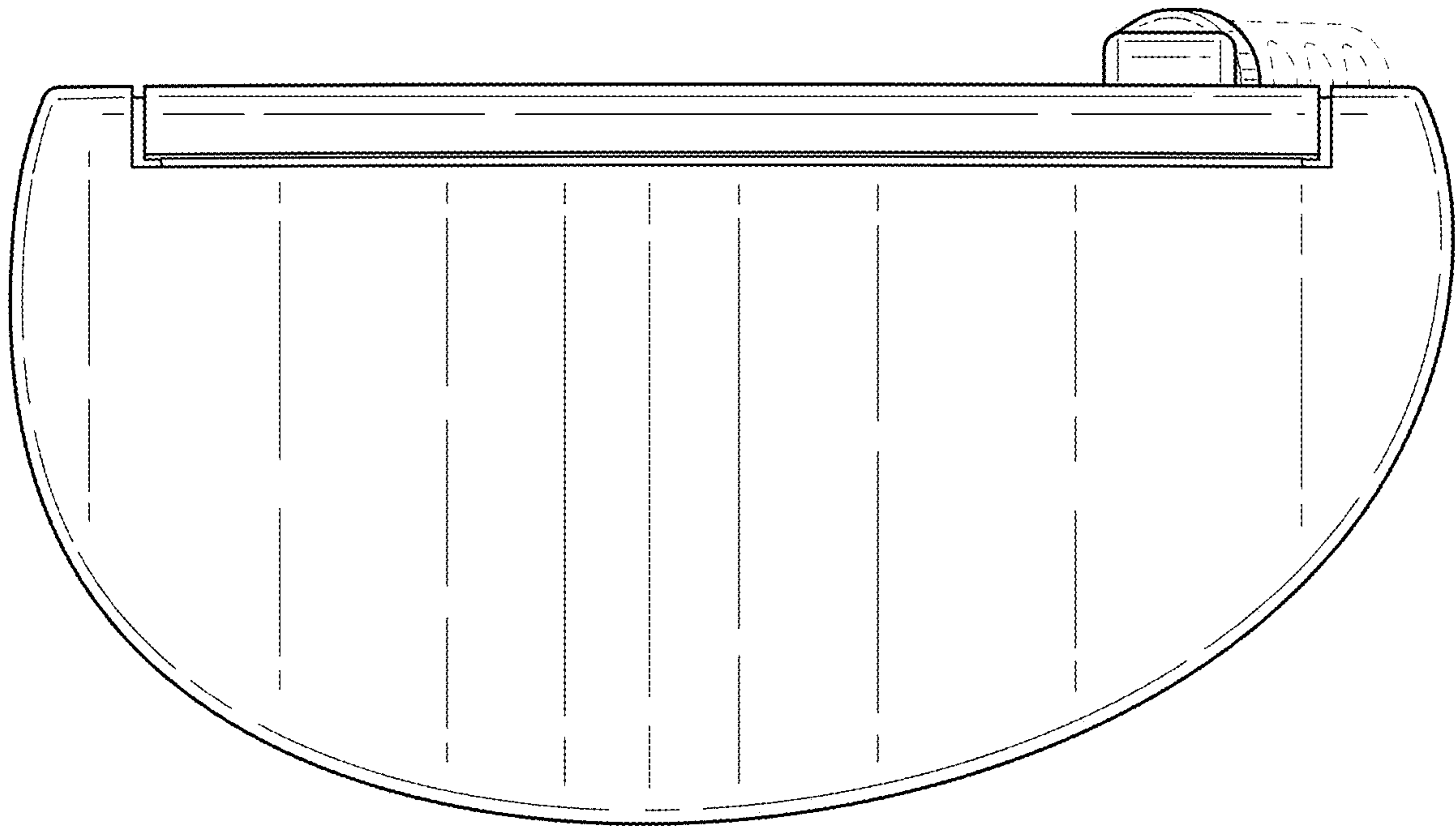


FIG. 2



**FIG. 3**



**FIG. 4**



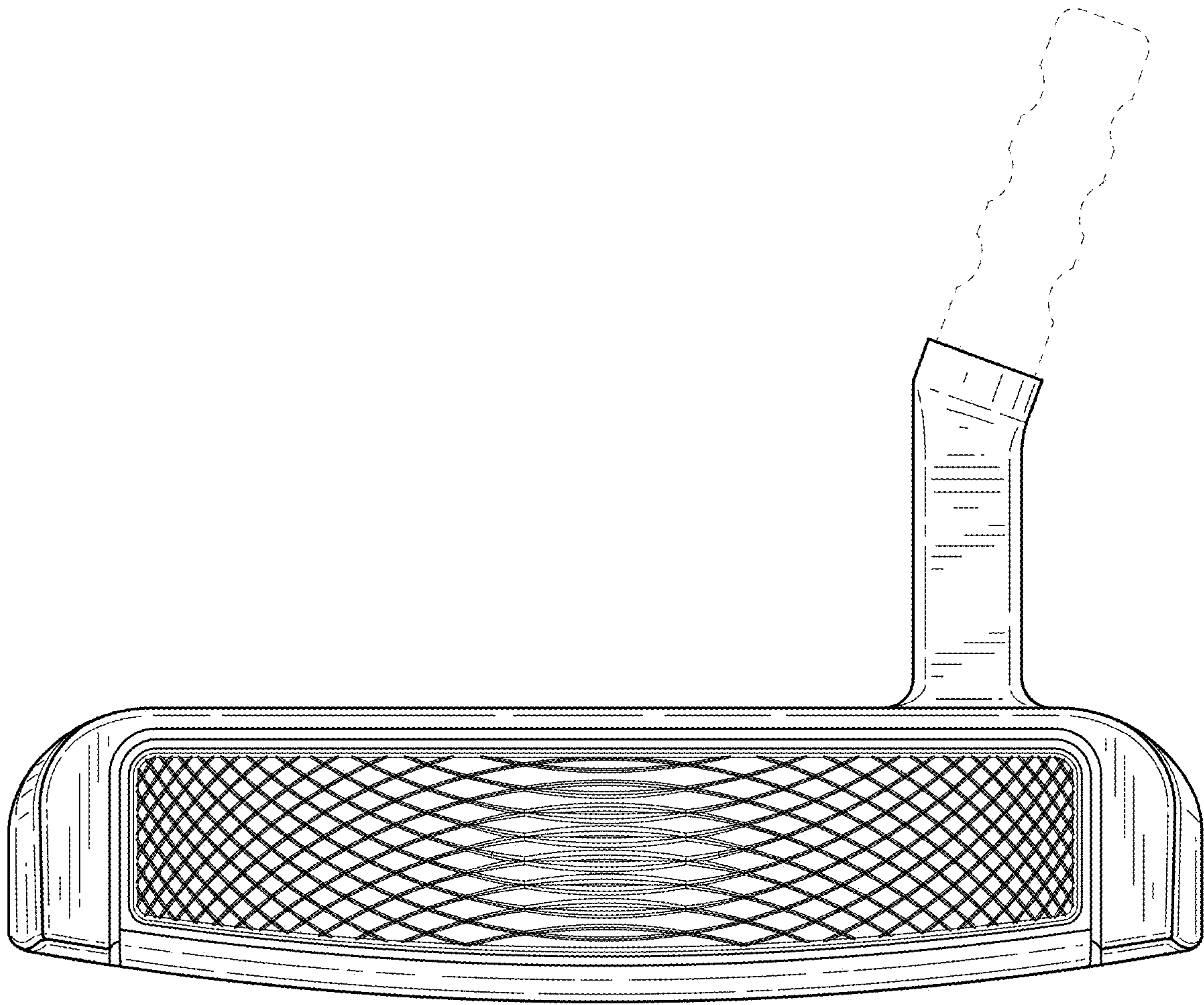


FIG. 5

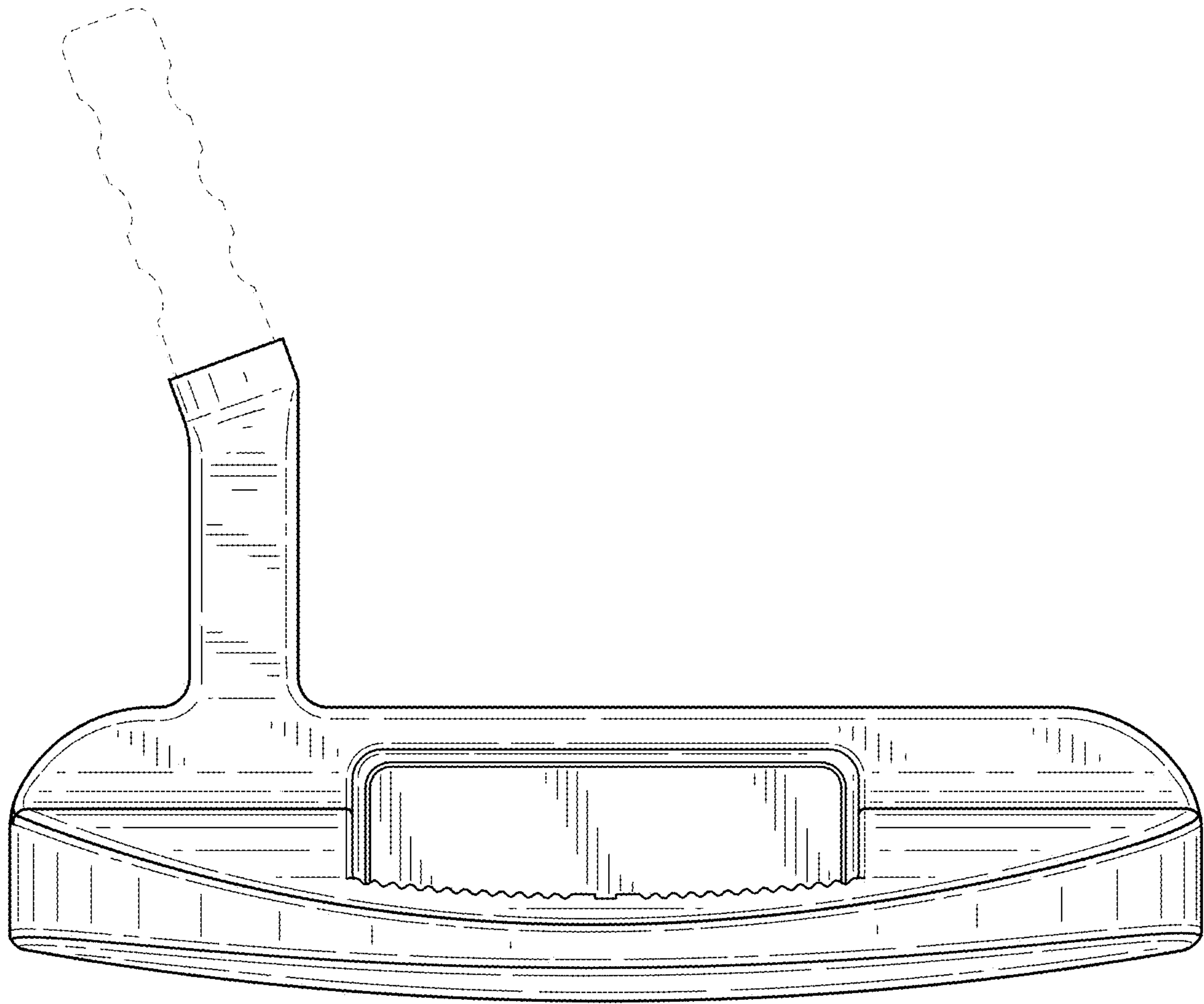
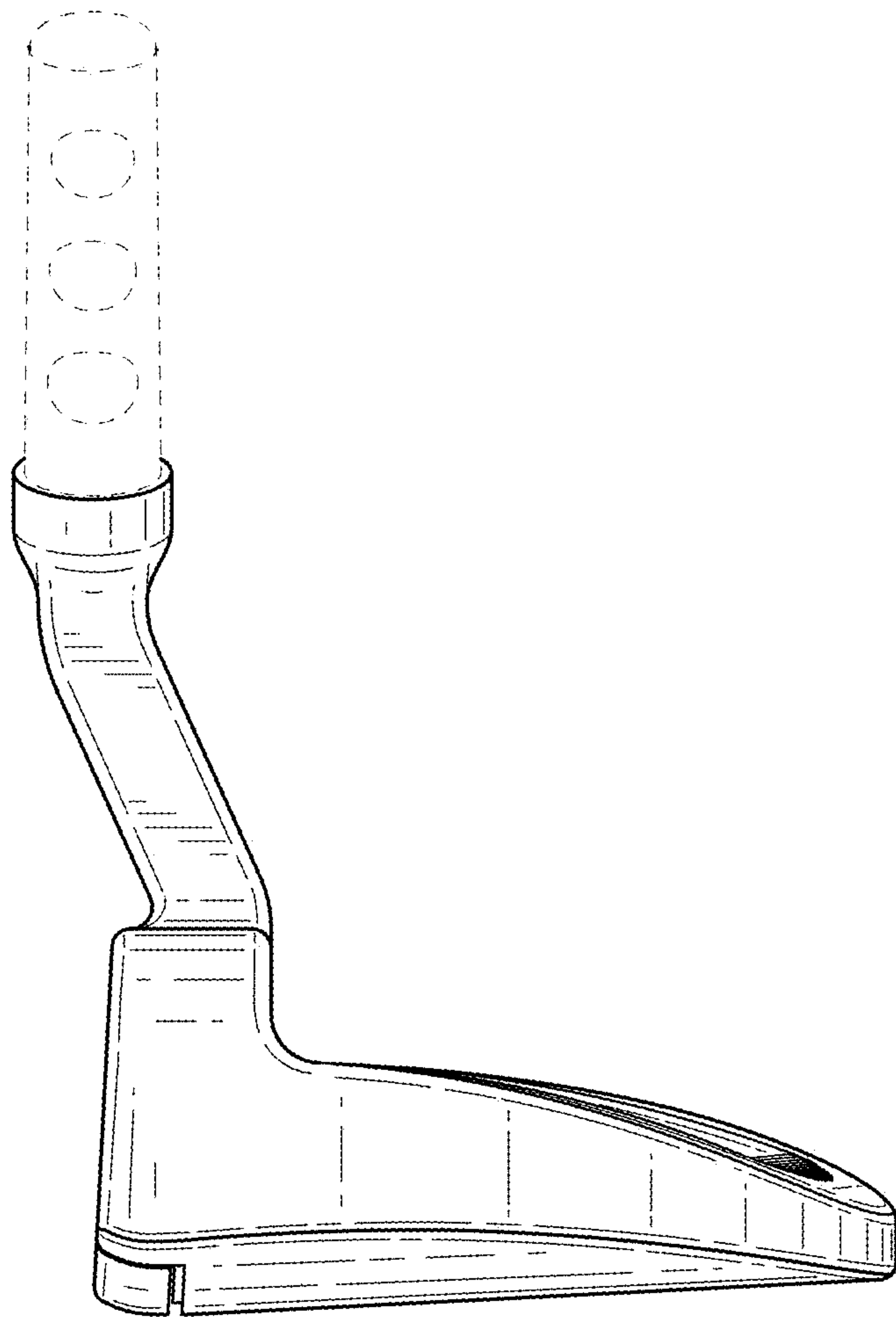
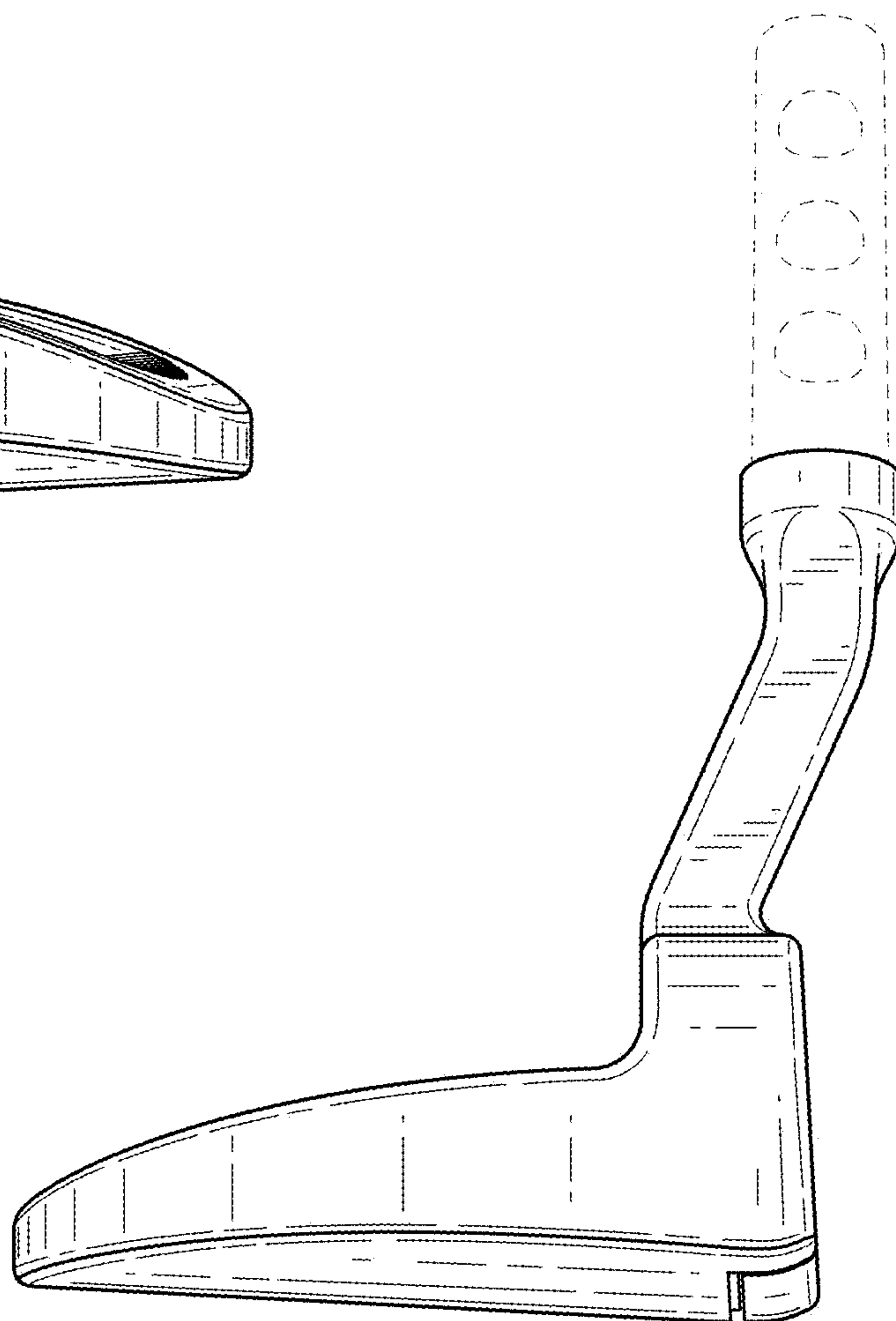


FIG. 6

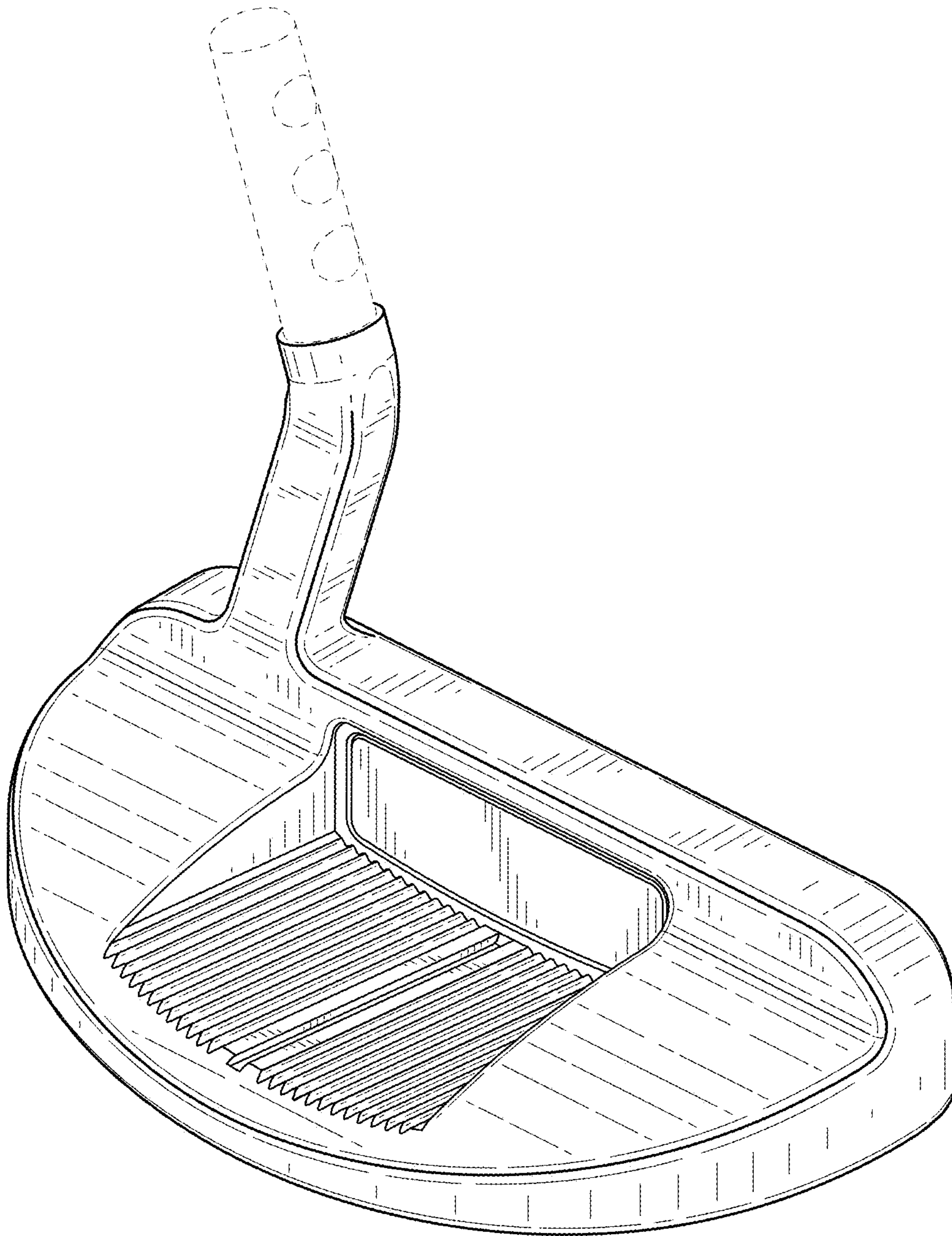




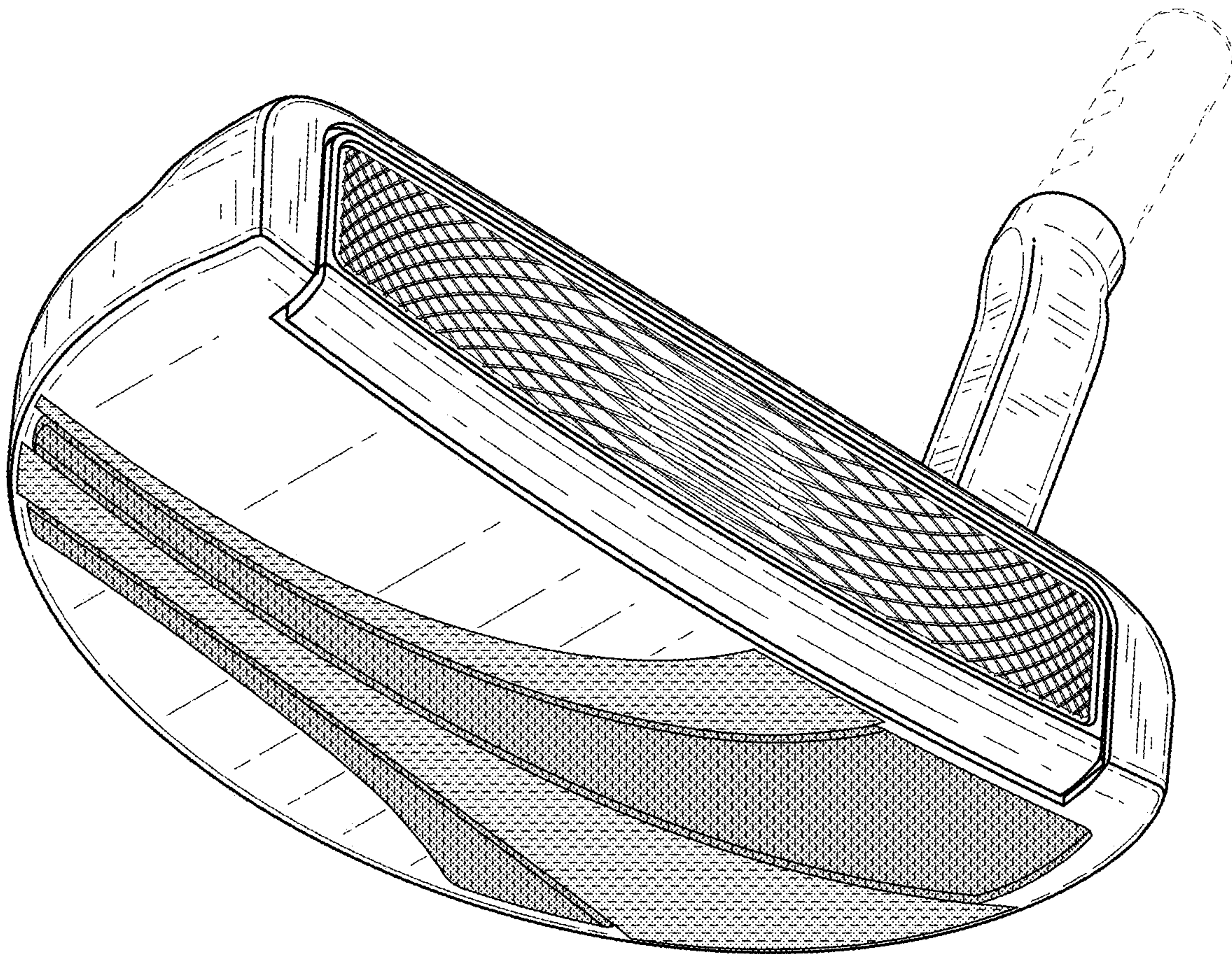
**FIG. 7**



**FIG. 8**



**FIG. 9**



**FIG. 10**



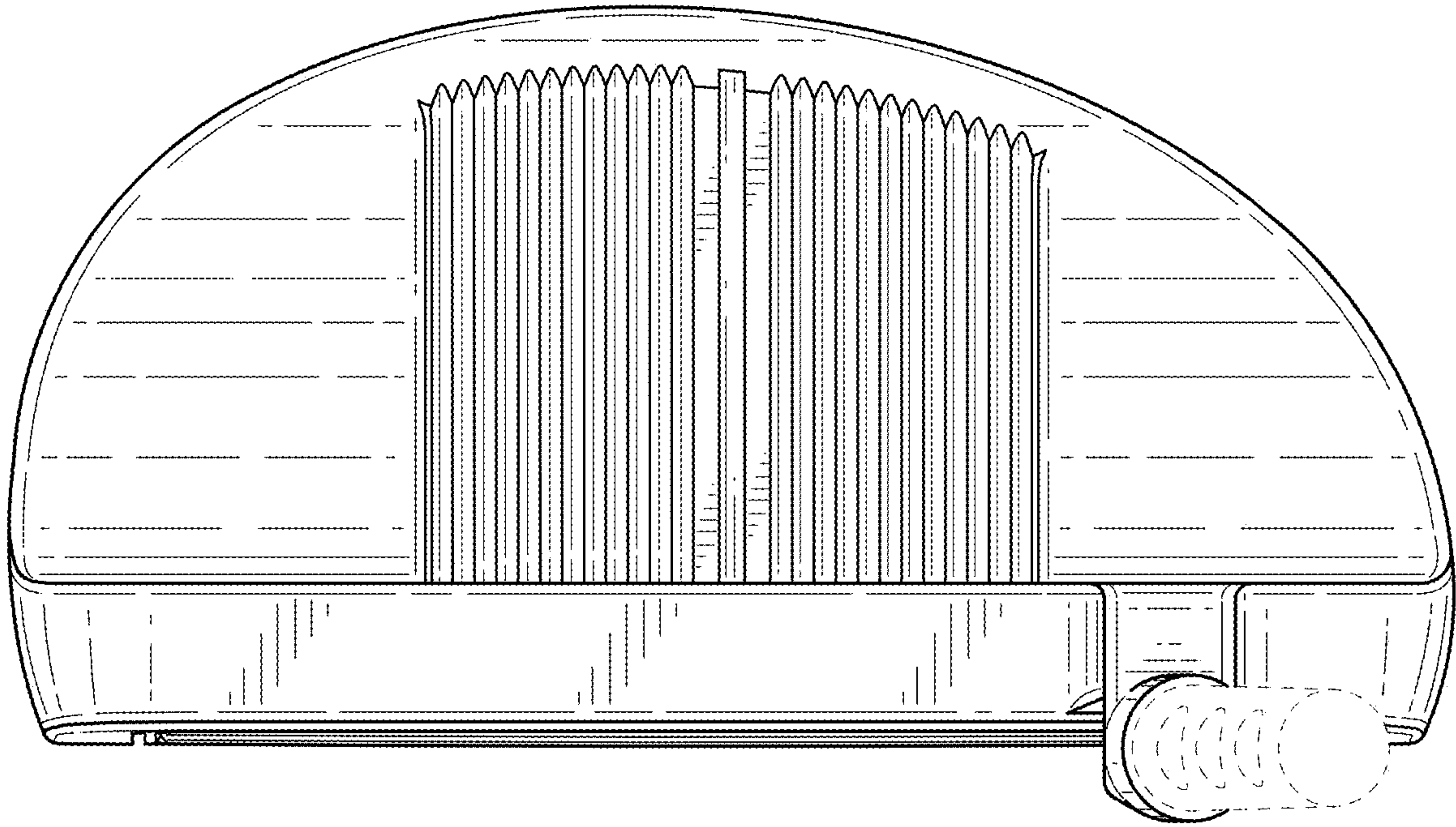


FIG. 11

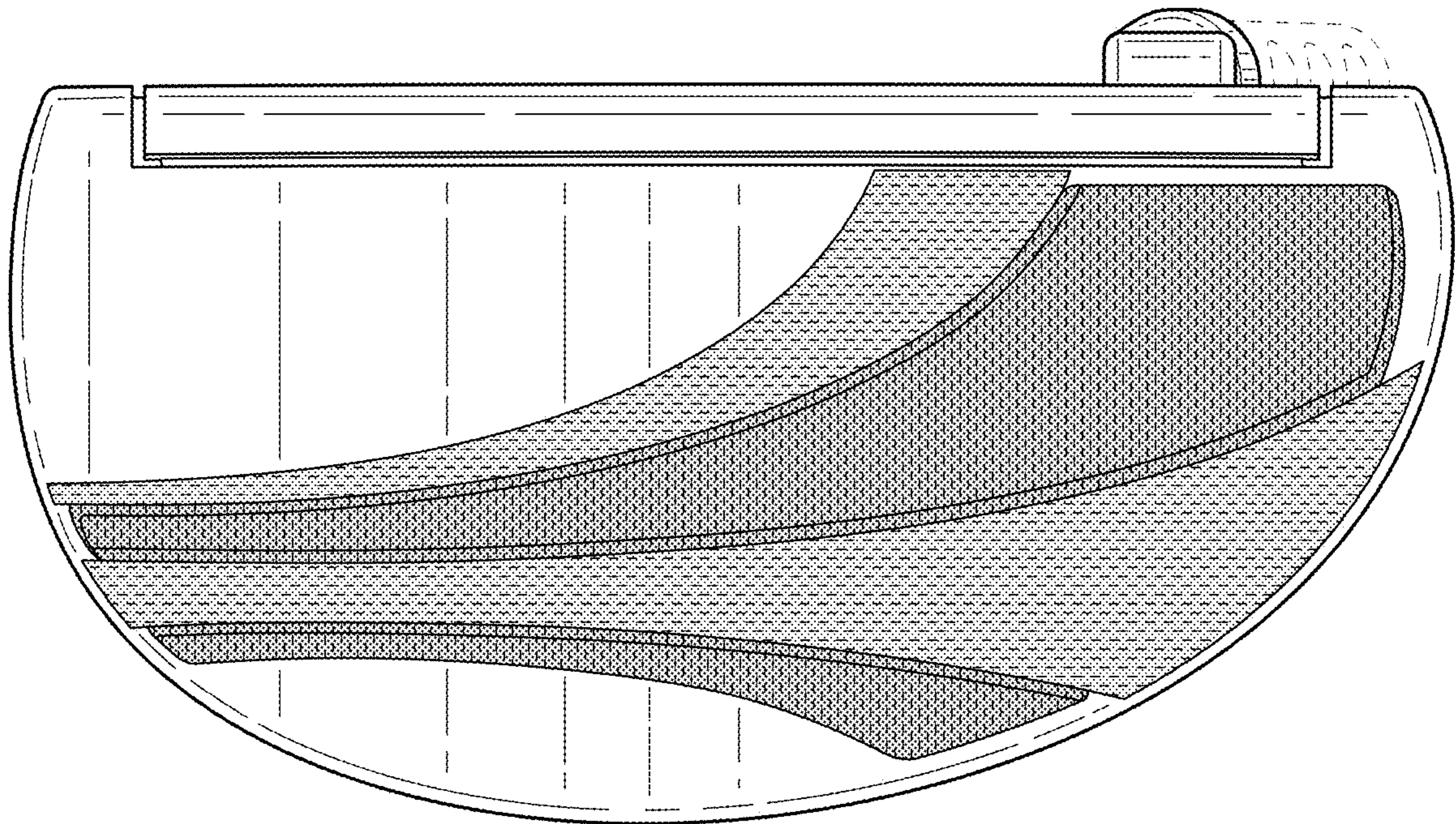


FIG. 12

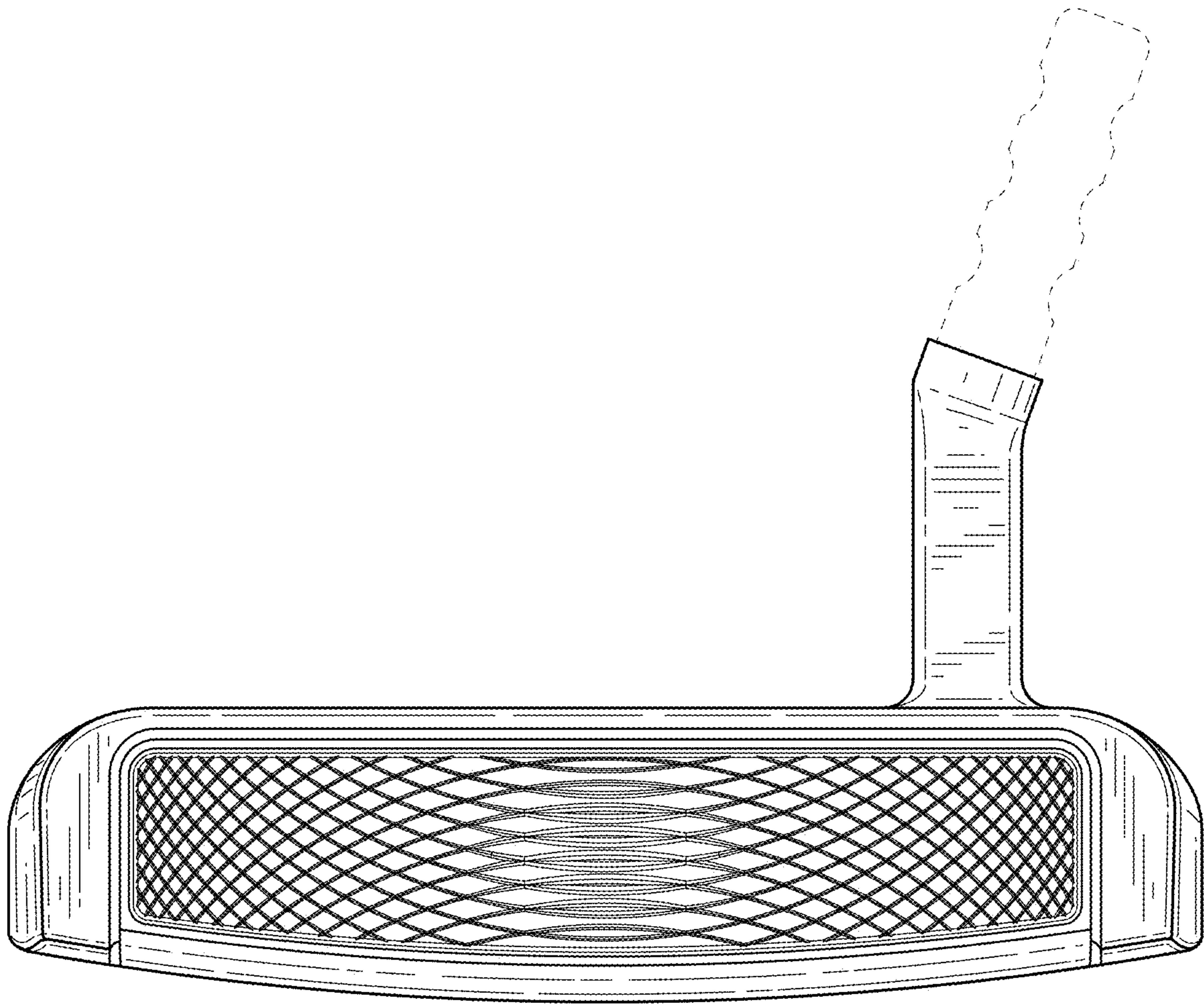


FIG. 13

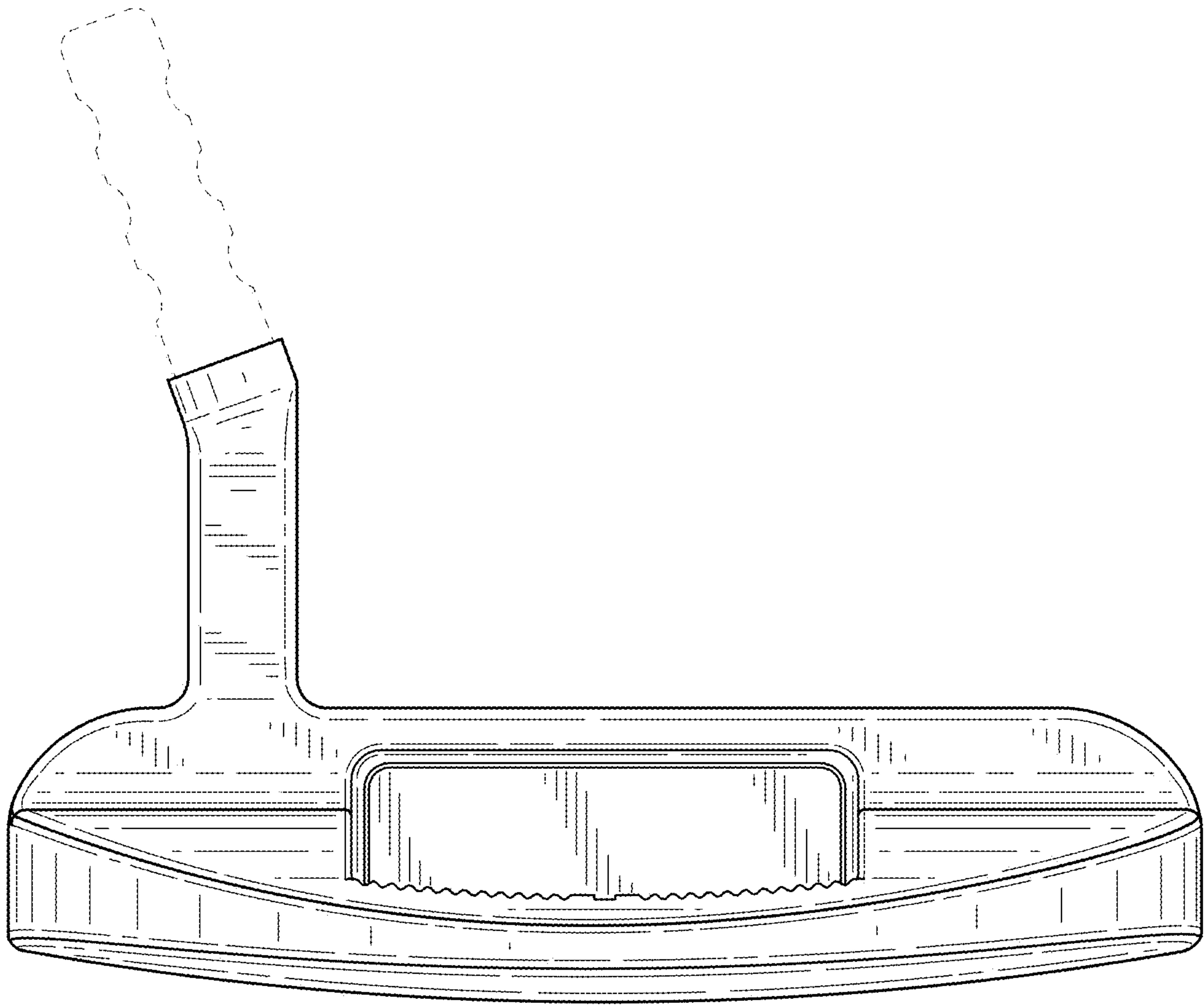
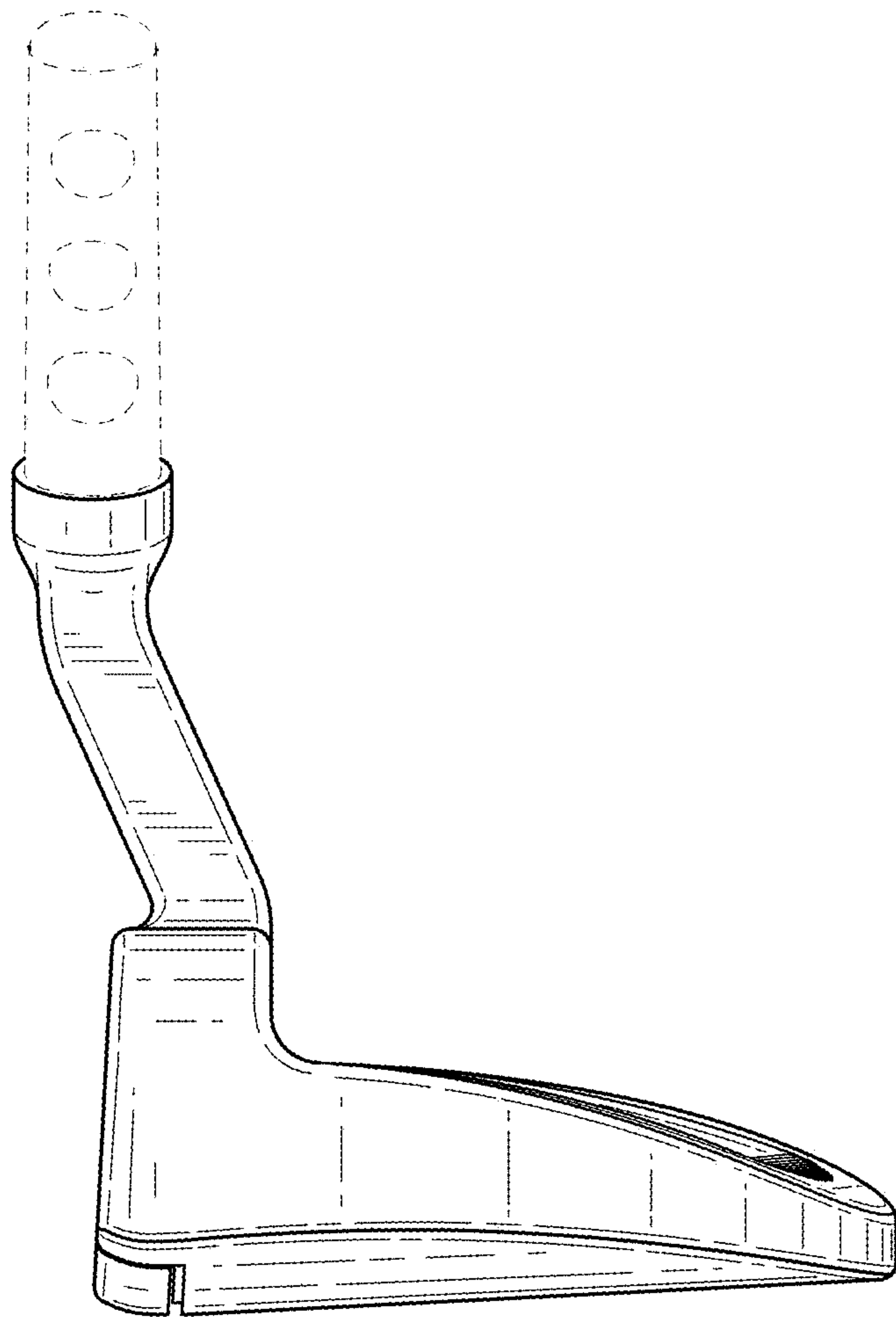
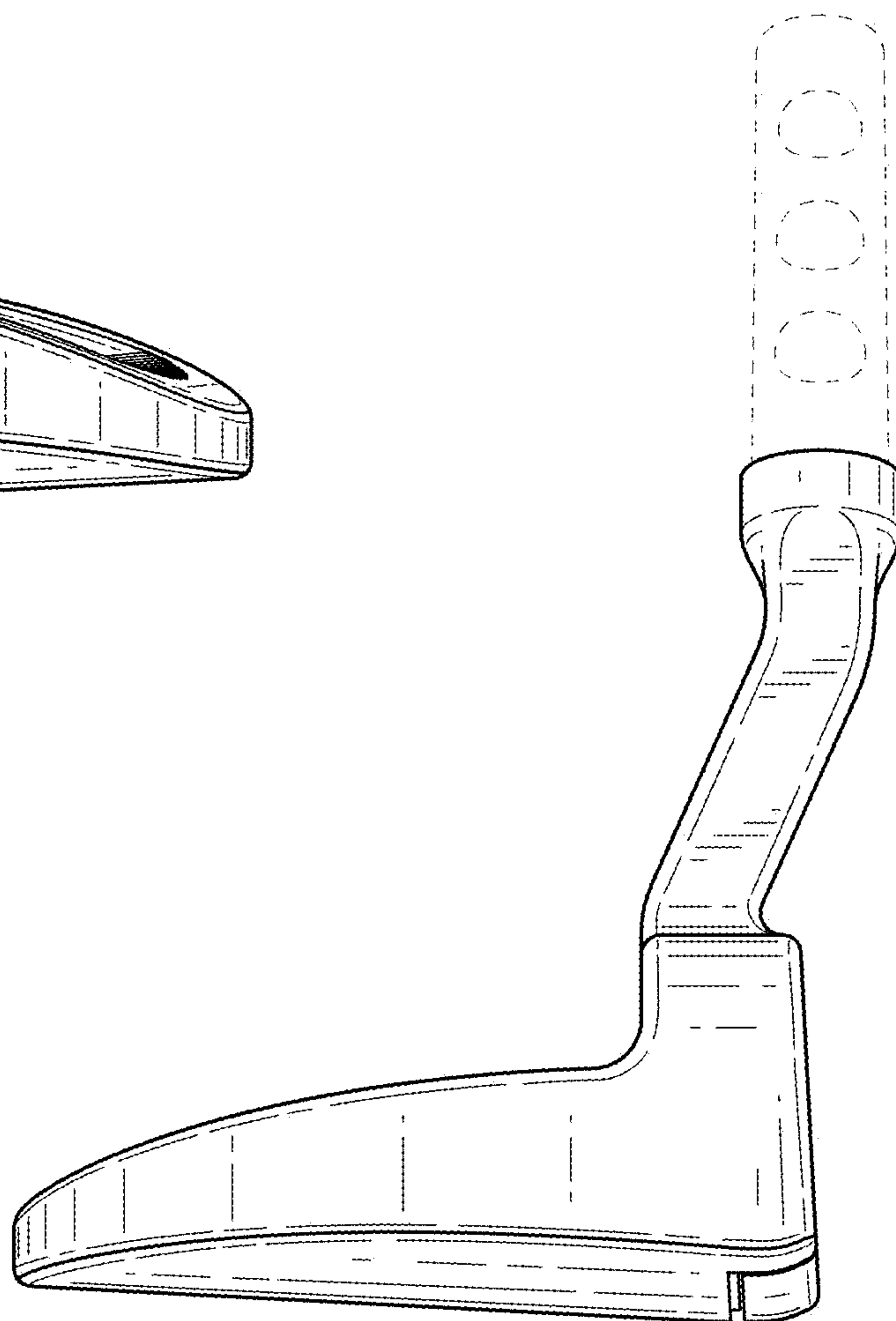


FIG. 14





**FIG. 15**



**FIG. 16**