



US00D873356S

(12) **United States Design Patent**  
**Henniger et al.**

(10) **Patent No.:** **US D873,356 S**  
(45) **Date of Patent:** **\*\* Jan. 21, 2020**

(54) **BARBELL**

**DESCRIPTION**

(71) Applicant: **Coulter Ventures LLC**  
(72) Inventors: **Bill Henniger**, Columbus, OH (US);  
**Greg Lammers**, Columbus, OH (US)  
(73) Assignee: **Coulter Ventures, LLC.**, Columbus,  
OH (US)  
(\*\*) Term: **15 Years**  
(21) Appl. No.: **29/645,057**  
(22) Filed: **Apr. 23, 2018**  
(51) **LOC (12) Cl.** ..... **21-02**  
(52) **U.S. Cl.**  
USPC ..... **D21/681**  
(58) **Field of Classification Search**  
USPC ..... D21/680, 682, 681, 678, 662, 679, 684,  
D21/686, 801, 694, 683; 173/102, 103,  
(Continued)

(56) **References Cited**

**U.S. PATENT DOCUMENTS**

2,470,815 A \* 5/1949 Harvey ..... A63B 21/0724  
482/104  
D262,814 S \* 1/1982 Lambert, Jr. .... D21/694  
(Continued)

**OTHER PUBLICATIONS**

Ohio Power Bar by Rogue dated Apr. 18, 2014. Found online [Apr.  
18, 2019] [https://www.roguefitness.com/rogue-ohio-power-bar?](https://www.roguefitness.com/rogue-ohio-power-bar?bvstate=pg:11/ct:r)  
bvstate=pg:11/ct:r (Year: 2014).\*  
(Continued)

*Primary Examiner* — Ryan Harvey

(74) *Attorney, Agent, or Firm* — Banner & Witcoff, Ltd.

(57) **CLAIM**

The ornamental design for a barbell, as shown and  
described.

The file of this patent contains at least one drawing executed  
in color. Copies of this patent with color drawings will be  
provided by the Office upon request and payment of the  
necessary fee.

FIG. 1 is a top, front, left perspective view of a barbell  
showing our new design;  
FIG. 2 is a top, front, right perspective view thereof;  
FIG. 3 is a front view thereof;  
FIG. 4 is an enlarged partial view of FIG. 3;  
FIG. 5 is a rear view thereof;  
FIG. 6 is an enlarged partial view of FIG. 5;  
FIG. 7 is a left side view thereof;  
FIG. 8 is a right side view thereof;  
FIG. 9 is a top view thereof;  
FIG. 10 is an enlarged partial view of FIG. 9;  
FIG. 11 is a bottom view thereof;  
FIG. 12 is an enlarged partial view of FIG. 11;  
FIG. 13 is a top, front, left perspective view of a first  
alternative claimed configuration of the barbell of FIGS.  
1-12 showing our new design;  
FIG. 14 is a top, front, right perspective view thereof;  
FIG. 15 is a front view thereof;  
FIG. 16 is an enlarged partial view of FIG. 15;  
FIG. 17 is a rear view thereof;  
FIG. 18 is an enlarged partial view of FIG. 17;  
FIG. 19 is a left side view thereof;  
FIG. 20 is a right side view thereof;  
FIG. 21 is a top view thereof;  
FIG. 22 is an enlarged partial view of FIG. 21;  
FIG. 23 is a bottom view thereof;  
FIG. 24 is an enlarged partial view of FIG. 23;  
FIG. 25 is a top, front, left perspective view of a second  
alternative claimed configuration of the barbell of FIGS.  
1-12 showing our new design;  
FIG. 26 is a top, front, right perspective view thereof;  
FIG. 27 is a front view thereof;  
FIG. 28 is an enlarged partial view of FIG. 27;  
FIG. 29 is a rear view thereof;  
FIG. 30 is an enlarged partial view of FIG. 29;  
FIG. 31 is a left side view thereof;  
FIG. 32 is a right side view thereof;

(Continued)

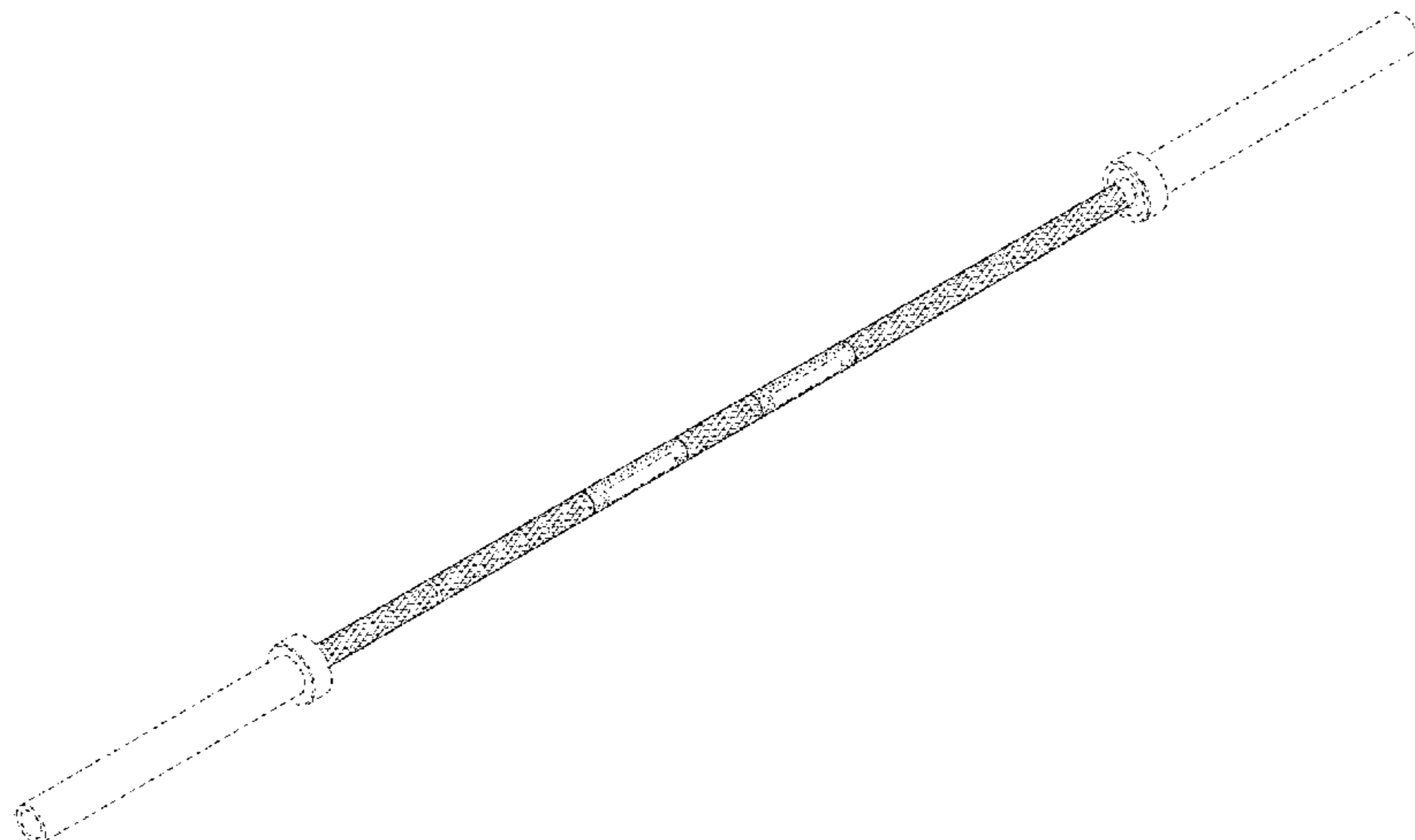


FIG. 33 is a top view thereof;  
 FIG. 34 is an enlarged partial view of FIG. 33;  
 FIG. 35 is a bottom view thereof;  
 FIG. 36 is an enlarged partial view of FIG. 35;  
 FIG. 37 is a top, front, left perspective view of a third alternative claimed configuration of the barbell of FIGS. 1-12 showing our new design;  
 FIG. 38 is a top, front, right perspective view thereof;  
 FIG. 39 is a front view thereof;  
 FIG. 40 is an enlarged partial view of FIG. 39;  
 FIG. 41 is a rear view thereof;  
 FIG. 42 is an enlarged partial view of FIG. 41;  
 FIG. 43 is a left side view thereof;  
 FIG. 44 is a right side view thereof;  
 FIG. 45 is a top view thereof;  
 FIG. 46 is an enlarged partial view of FIG. 45;  
 FIG. 47 is a bottom view thereof;  
 FIG. 48 is an enlarged partial view of FIG. 47;  
 FIG. 49 is a top, front, left perspective view of a fourth alternative claimed configuration of the barbell of FIGS. 1-12 showing our new design;  
 FIG. 50 is a top, front, right perspective view thereof;  
 FIG. 51 is a front view thereof;  
 FIG. 52 is an enlarged partial view of FIG. 51;  
 FIG. 53 is a rear view thereof;  
 FIG. 54 is an enlarged partial view of FIG. 53;  
 FIG. 55 is a left side view thereof;  
 FIG. 56 is a right side view thereof;  
 FIG. 57 is a top view thereof;  
 FIG. 58 is an enlarged partial view of FIG. 57;  
 FIG. 59 is a bottom view thereof; and,  
 FIG. 60 is an enlarged partial view of FIG. 59.

In regard to FIGS. 1-60: The broken lines depicting the remainder of the barbell show features that form no part of the claimed design. The cross-hatching indicates knurling of a metallic gray or silver color. FIGS. 1-6 and 9-12 are shaded with stippling to indicate a color contrast between the areas shaded with stippling and the areas having cross-hatching. The stippling does not represent any particular color, pattern, material, texture, or finish.

**1 Claim, 25 Drawing Sheets  
 (13 of 25 Drawing Sheet(s) Filed in Color)**

(58) **Field of Classification Search**

USPC ..... 173/118, 126, 133; 482/108, 93, 110,  
 482/111, 105, 8, 107, 106, 139, 94, 104,  
 482/140, 109, 51, 70, 74, 98, 1, 121, 55;  
 D9/680, 629, 456; D8/85, 45, 107, 90,  
 D8/317, 387, 397, 343, 31, 75, 14;  
 D11/81, 91, 56, 80, 7, 52, 14, 201;  
 D12/215  
 CPC ..... A63B 21/4035; A63B 21/0552; A63B  
 23/0211; A63B 21/0728; A63B 21/075;  
 A63B 21/072

See application file for complete search history.

(56) **References Cited**

U.S. PATENT DOCUMENTS

D290,485 S \* 6/1987 Suponitsky ..... D21/679  
 5,076,578 A \* 12/1991 Askonen ..... A63B 23/12  
 482/139

5,839,996 A \* 11/1998 Gooding ..... A63B 21/072  
 482/106  
 6,010,439 A \* 1/2000 Bullard, Jr. .... A63B 21/078  
 482/106  
 D583,883 S \* 12/2008 Thomas ..... D21/679  
 D597,612 S \* 8/2009 Lien ..... D21/681  
 8,672,815 B1 \* 3/2014 Springer ..... A63B 21/0724  
 482/106  
 9,254,410 B1 \* 2/2016 Mirza ..... A63B 21/0004  
 9,623,276 B1 \* 4/2017 Deras ..... A63B 21/0724  
 9,675,837 B2 \* 6/2017 Smith ..... A63B 21/4035  
 9,925,406 B2 \* 3/2018 Brown ..... A63B 21/026  
 10,076,679 B2 \* 9/2018 Dickerson ..... A63B 21/4035  
 D843,524 S \* 3/2019 Henniger ..... D21/694  
 2007/0197352 A1 \* 8/2007 Charniga ..... A63B 21/06  
 482/93  
 2012/0094810 A1 \* 4/2012 Anderson ..... A63B 21/0724  
 482/107  
 2013/0196830 A1 \* 8/2013 Pfitzer ..... A63B 21/0602  
 482/110  
 2014/0045660 A1 \* 2/2014 Murray ..... A63B 21/0724  
 482/106  
 2014/0121074 A1 \* 5/2014 Cojocar ..... A63B 21/0724  
 482/106  
 2014/0162850 A1 \* 6/2014 Chen ..... A63B 21/0728  
 482/104  
 2014/0274595 A1 \* 9/2014 Patti ..... A63B 21/4049  
 482/106  
 2015/0343255 A1 \* 12/2015 Miller ..... A63B 21/072  
 482/104  
 2017/0216650 A1 \* 8/2017 Simmons ..... A63B 21/055  
 2017/0216654 A1 \* 8/2017 Parker ..... A63B 21/0722  
 2019/0099634 A1 \* 4/2019 Sanseverino .... A63B 21/00185

OTHER PUBLICATIONS

IWF by Eleiko dated no date given. Found online [Apr. 18, 2019] <https://www.eleiko.com/en/p/eleiko-iwf-weightlifting-training-bar-20-kg-men/14#gs.5oncat> (Year: 0).\*

Vulcan by Vulcan dated no date given. Found online [Apr. 18, 2019] <https://www.vulcanstrength.com/Men-s-Professional-Olympic-Bar-p/vstb-m.htm> (Year: 0).\*

Westside power bar 2 by Rogue dated Apr. 18, 2016. Found online [Apr. 18, 2019] <https://www.roguefitness.com/rogue-westside-power-bar-2-0?bvstate=pg:2/ct:r> (Year: 2016).\*

Grizzly Power Bar by American Barbell dated Dec. 13, 2017. Found online [Apr. 18, 2019] <https://americanbarbell.com/products/grizzly-power-bar> (Year: 2014).\*

Power Bar by American Barbell dated Mar. 18, 2015. Found online [Apr. 18, 2019] <https://americanbarbell.com/products/american-barbell-power-bar> (Year: 2015).\*

Elite Power Bar by American Barbell dated Nov. 6, 2015. Found online [Apr. 18, 2019] <https://americanbarbell.com/products/american-barbell-training-bar-1> (Year: 2014).\*

Mammoth Bar by American Barbell dated Sep. 23, 2015. Found online [Apr. 18, 2019] <https://americanbarbell.com/products/american-barbell-ceramic-mammoth-bar> (Year: 2015).\*

Product listing for American Barbell Cerakote Training Bar from <https://web.archive.org/web/20170224030649/http://americanbarbell.com/products/american-barbell-cerakote-training-bar>, dated Feb. 24, 2017.

Screen images from <https://web.archive.org/web/20170224030649/http://americanbarbell.com/products/american-barbell-cerakote-training-bar>, dated Feb. 24, 2017.

Product listing for Rogue The Ohio Bar—Cerakote from <https://www.roguefitness.com/the-ohio-bar-cerakote> with irrelevant material redacted, dated Feb. 15, 2019, product known to be available prior to Apr. 23, 2018, but not on or prior to Apr. 23, 2017.

\* cited by examiner

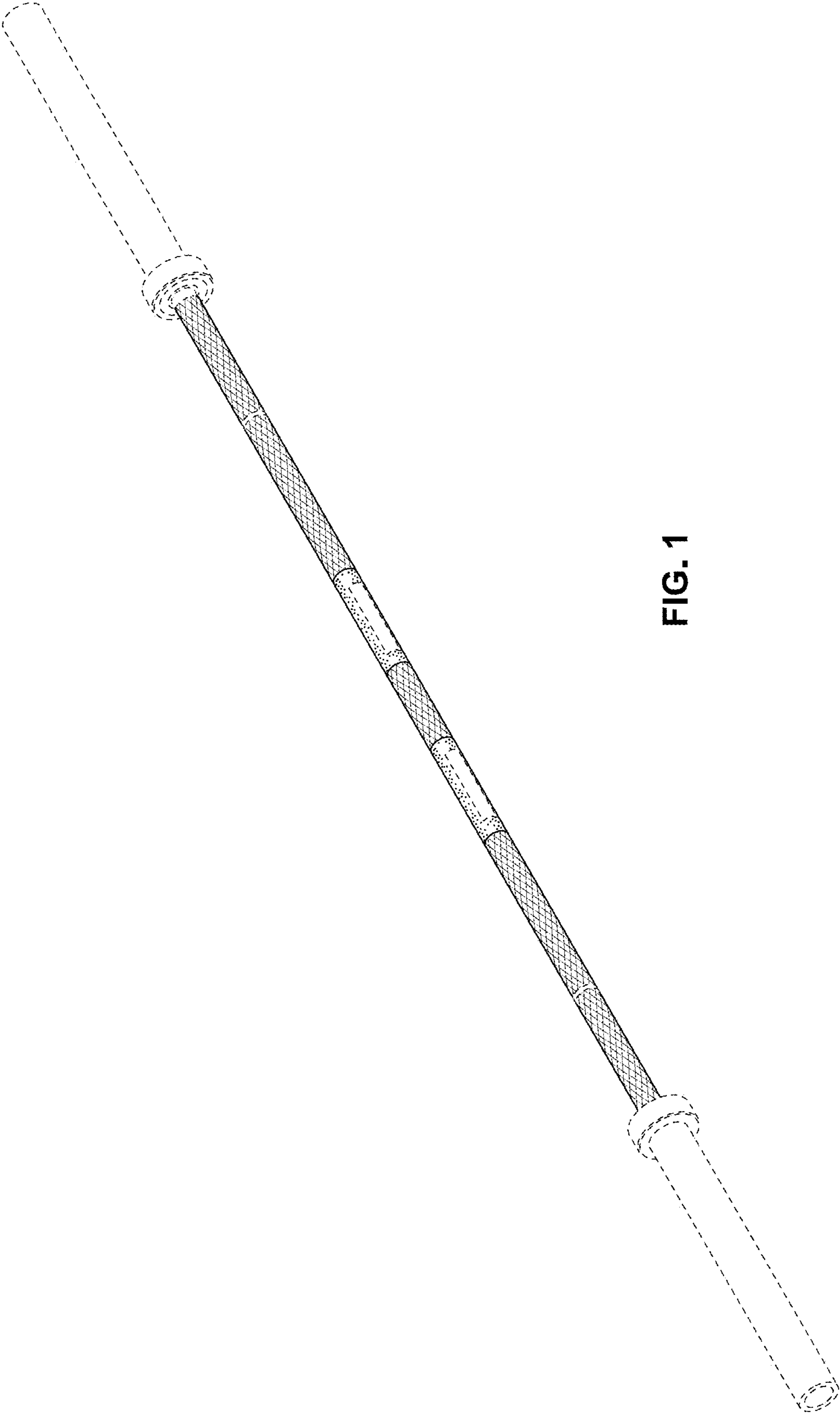


FIG. 1

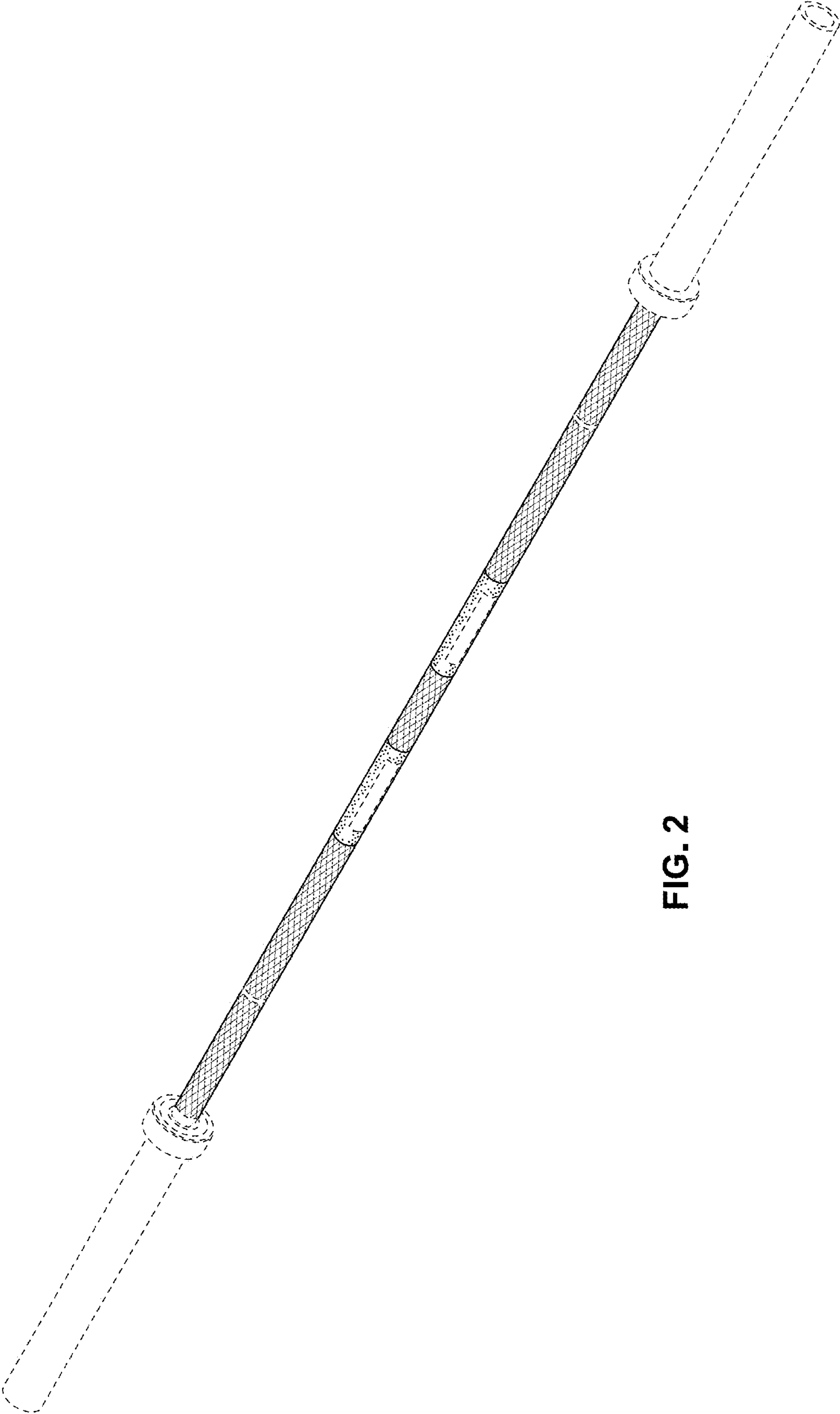
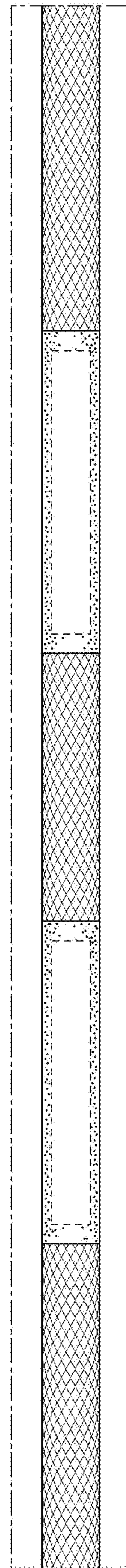
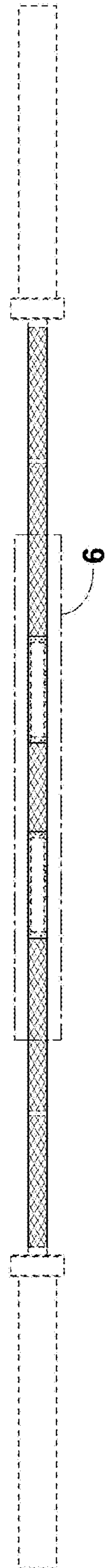
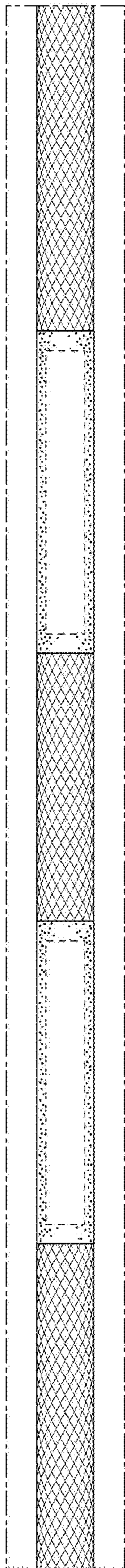
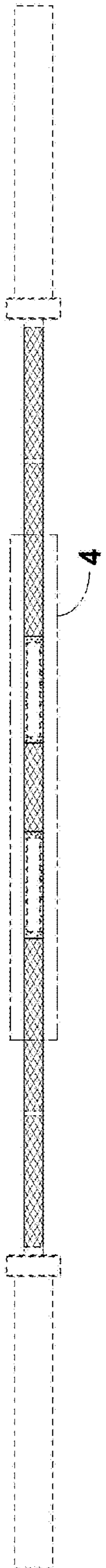


FIG. 2



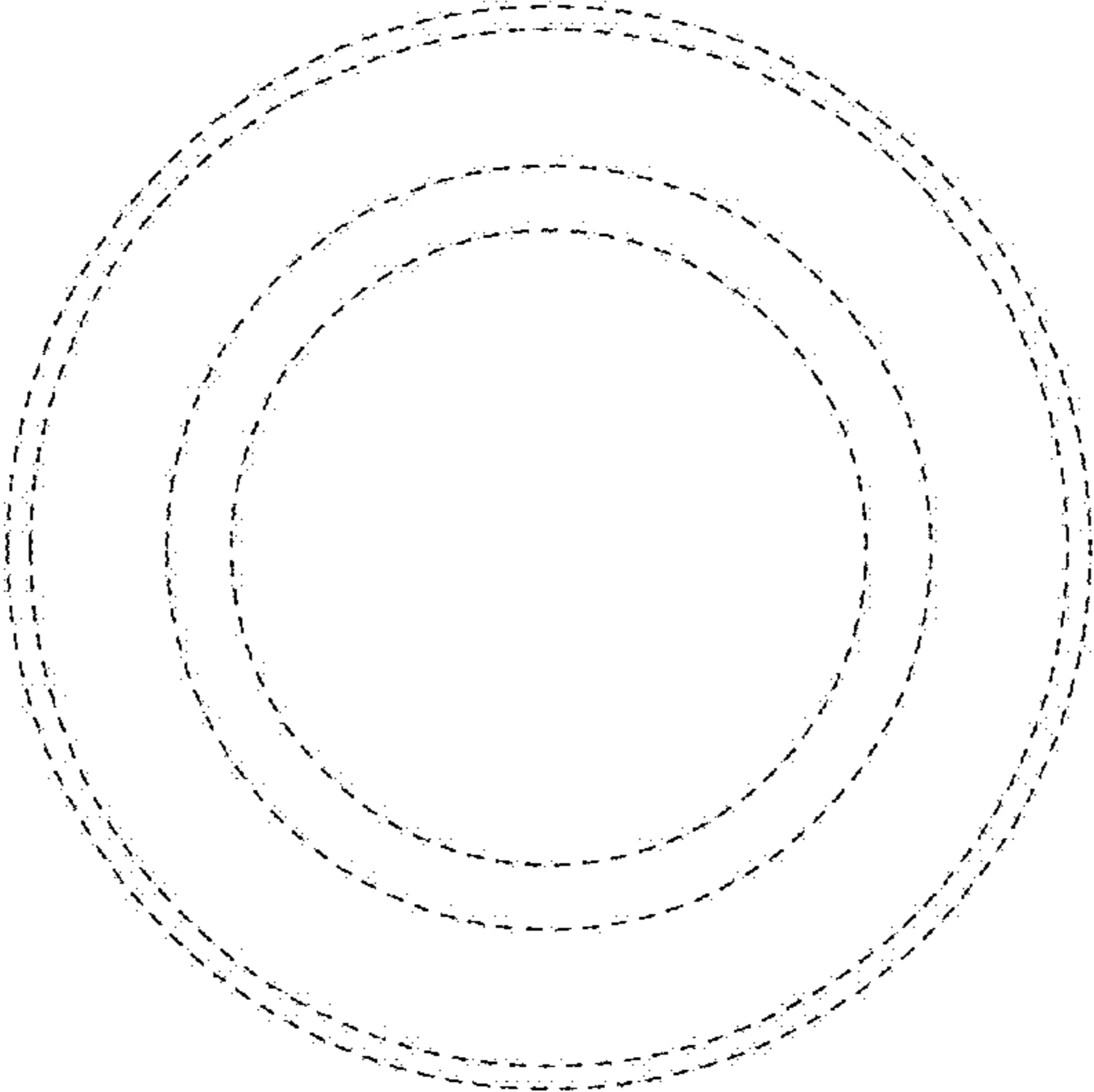


FIG. 8

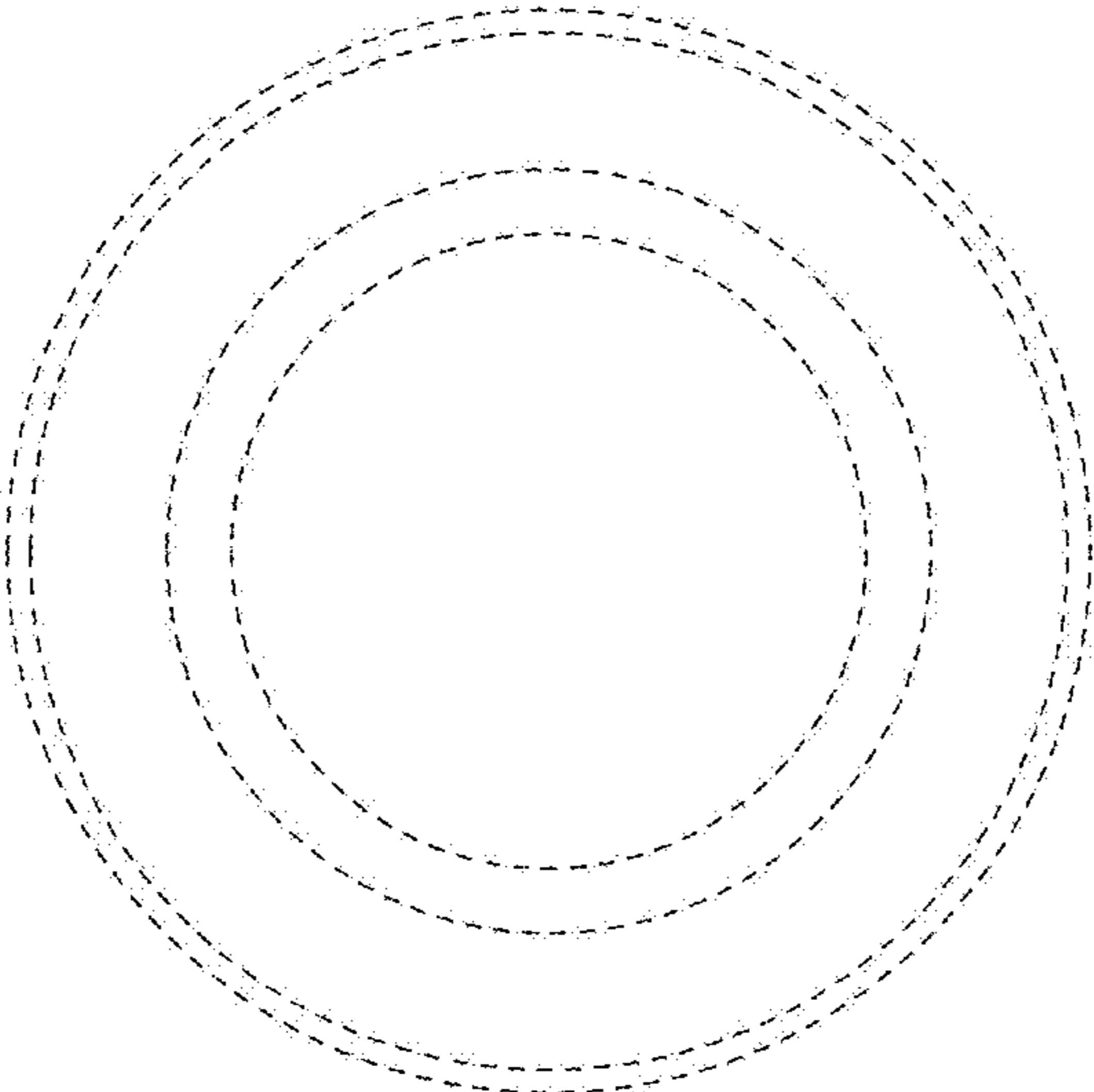
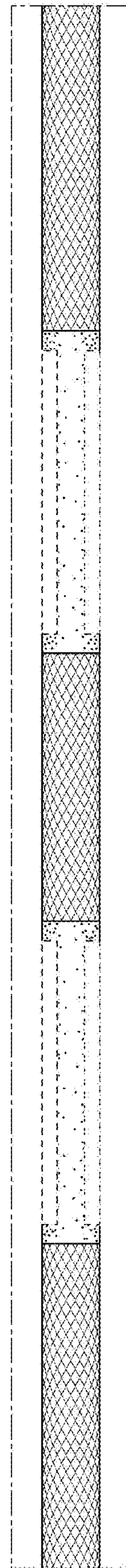
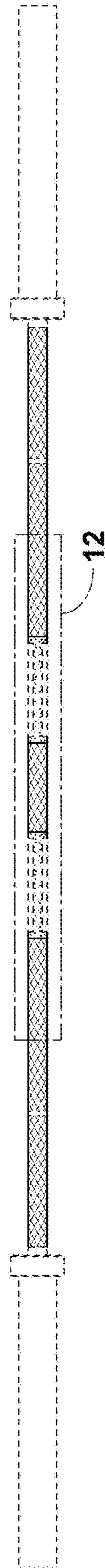
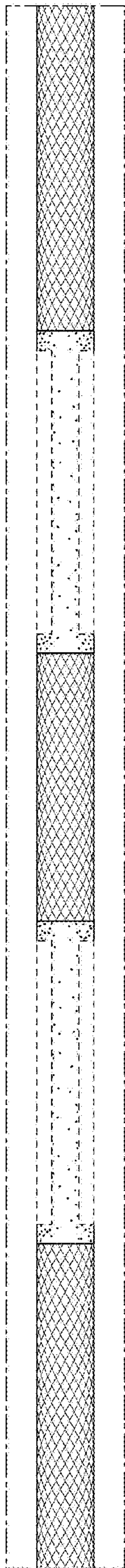
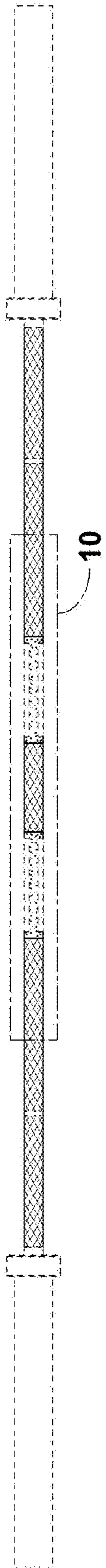


FIG. 7



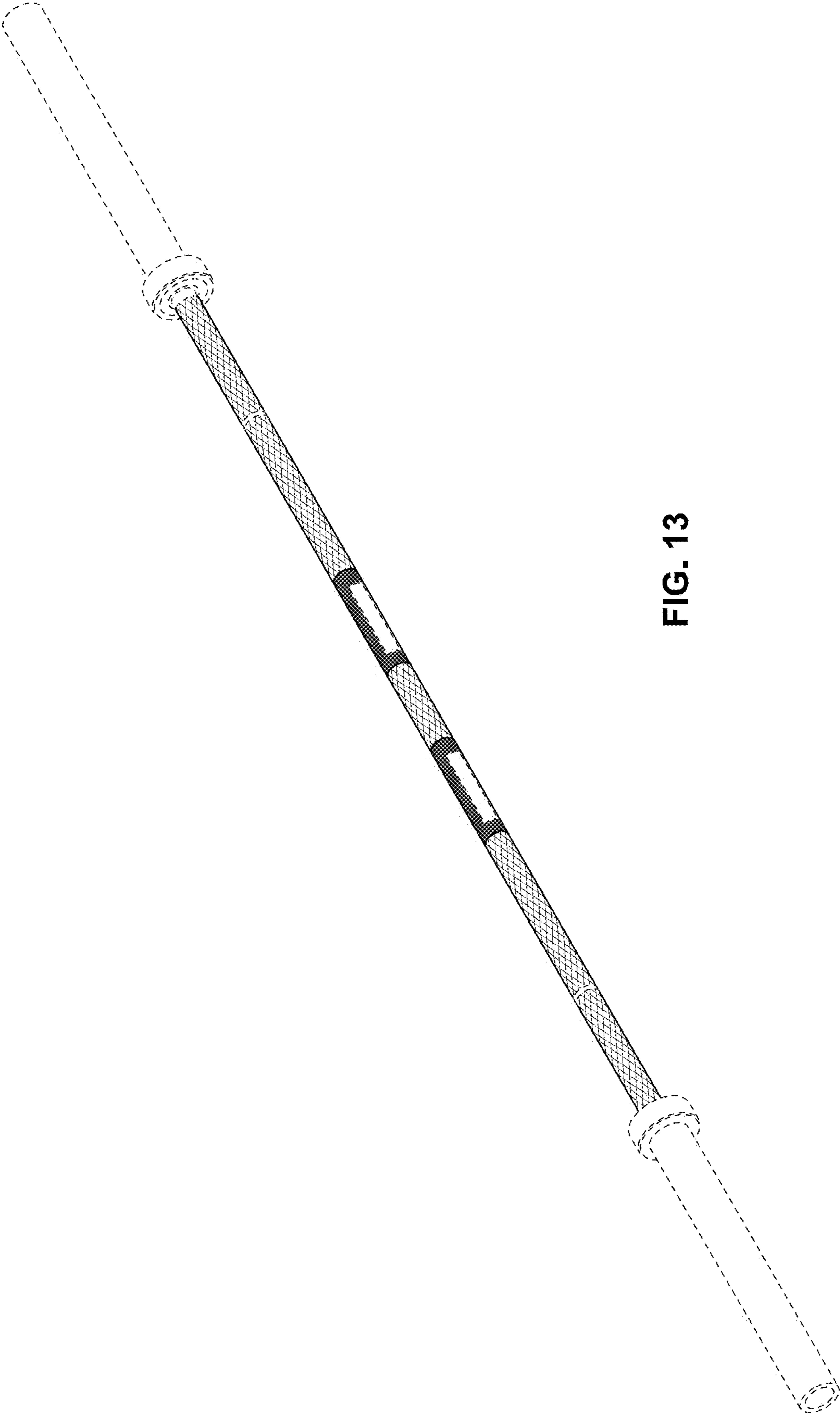


FIG. 13



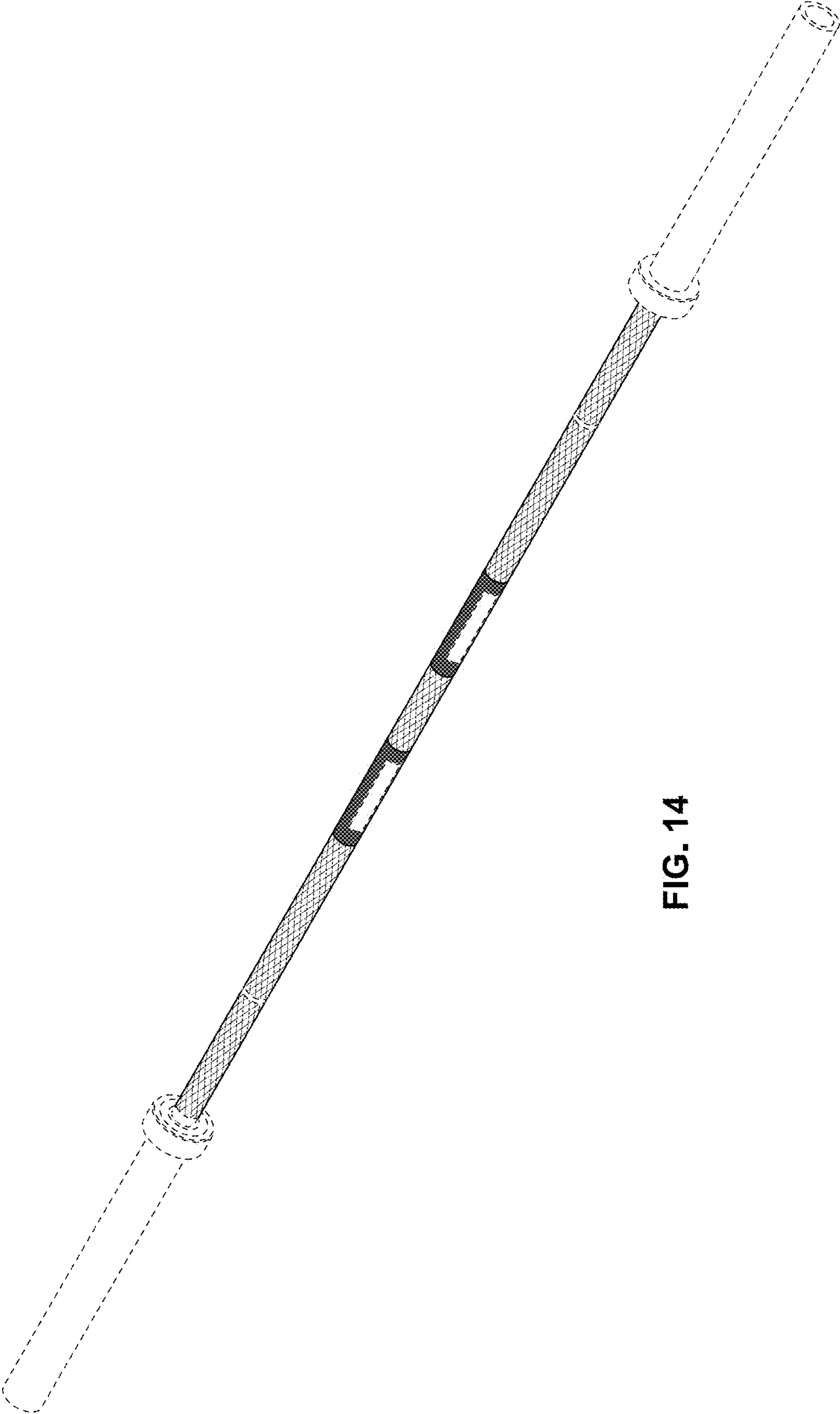


FIG. 14

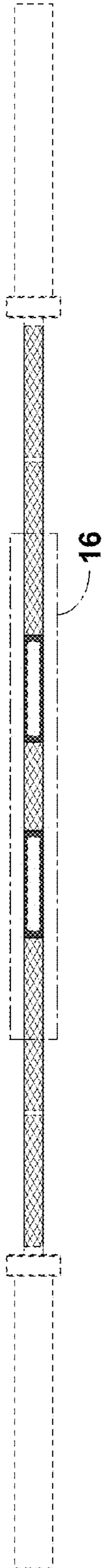


FIG. 15

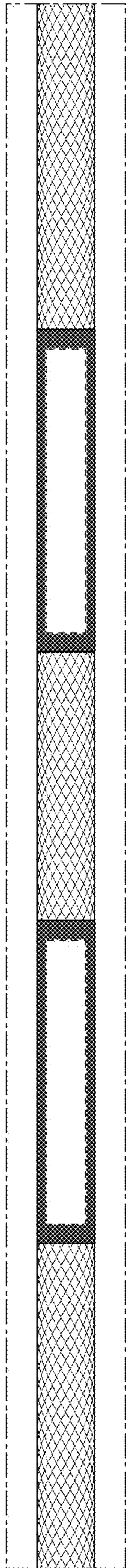


FIG. 16

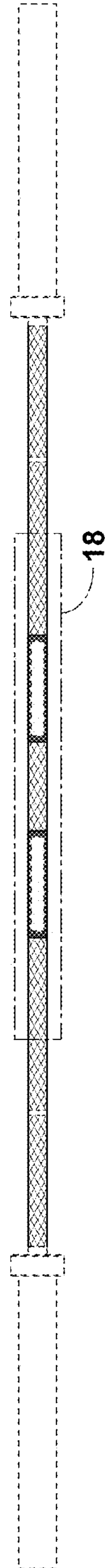


FIG. 17

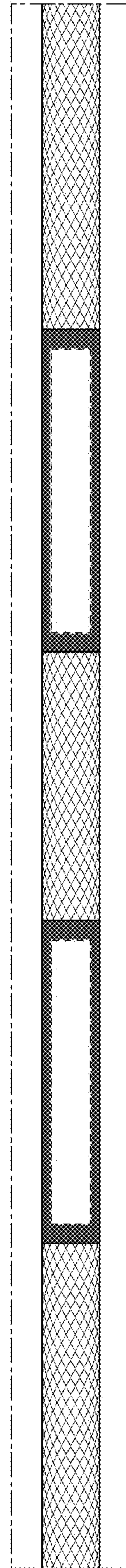


FIG. 18

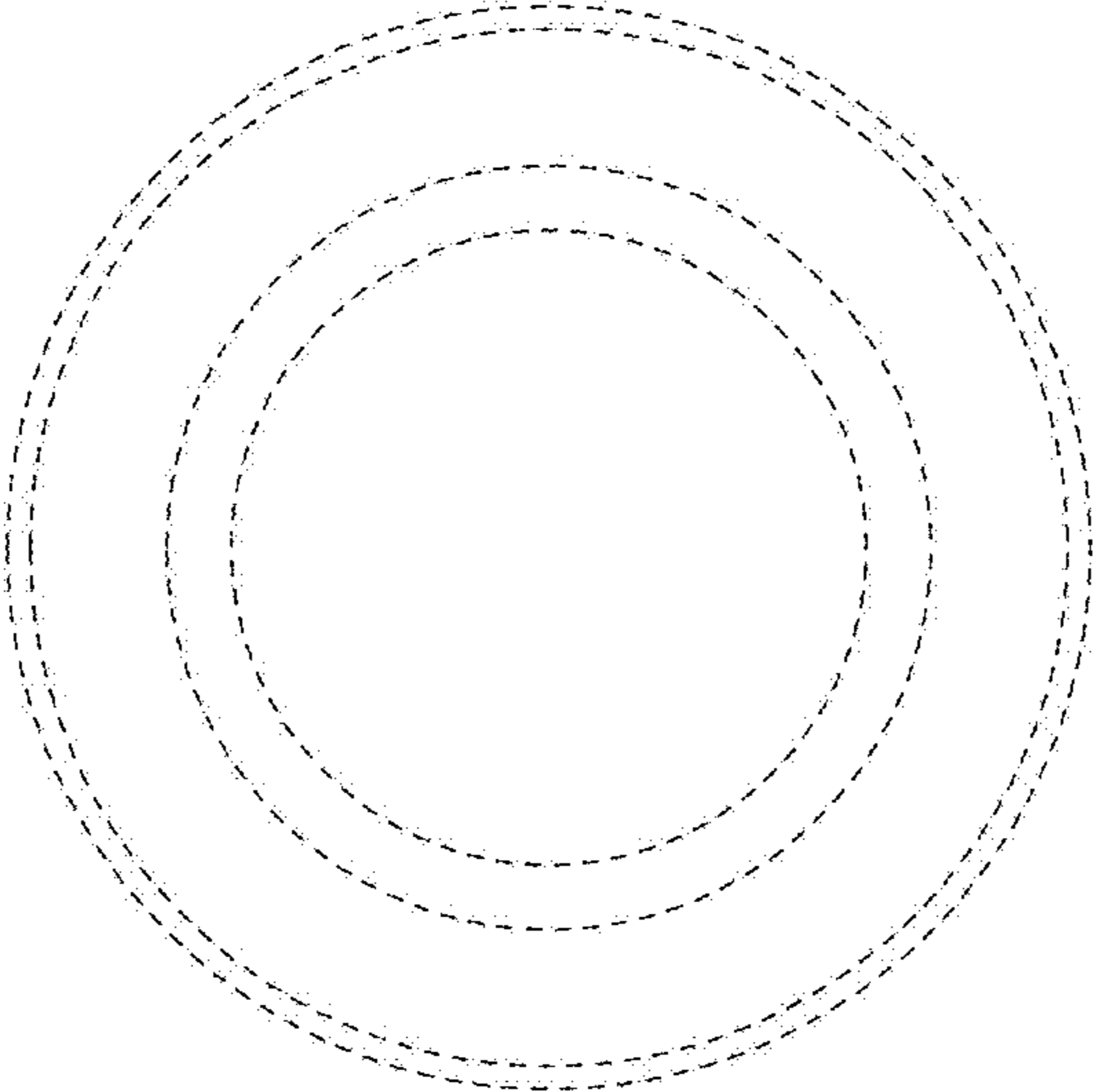


FIG. 20

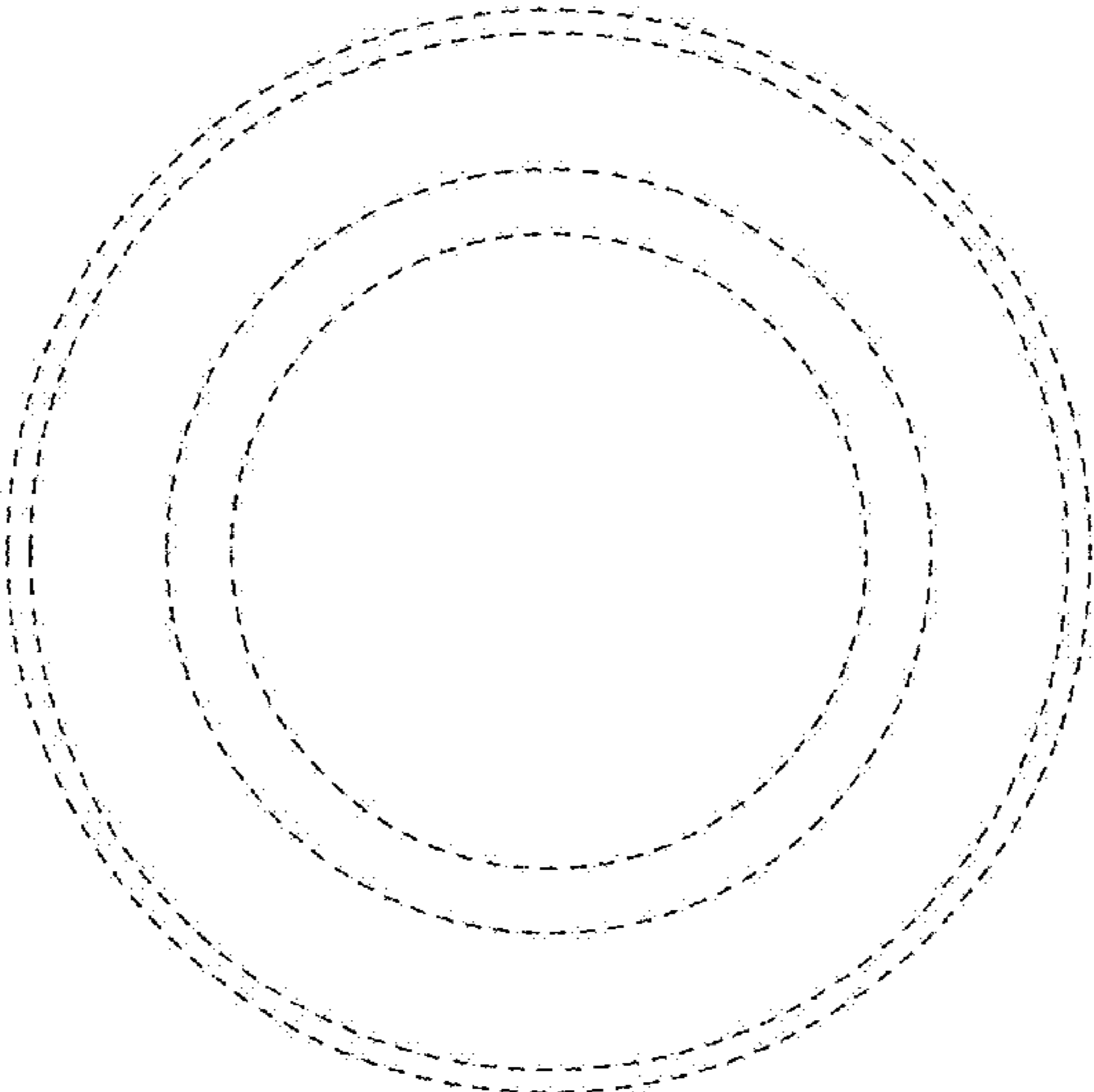


FIG. 19

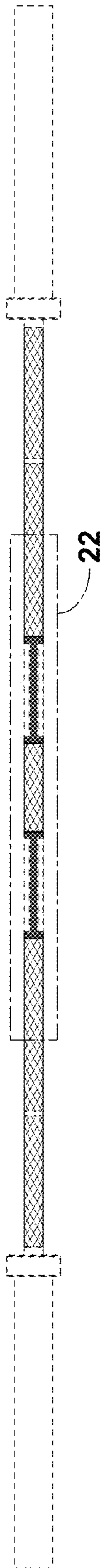


FIG. 21

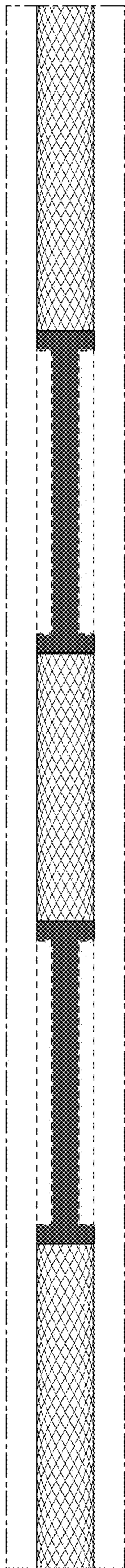


FIG. 22

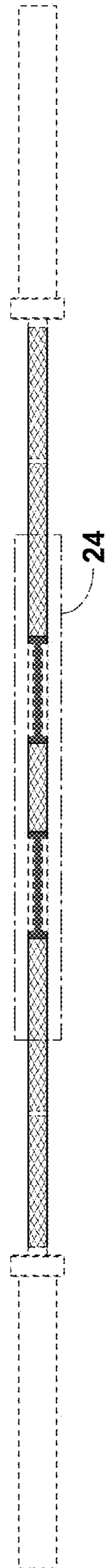


FIG. 23

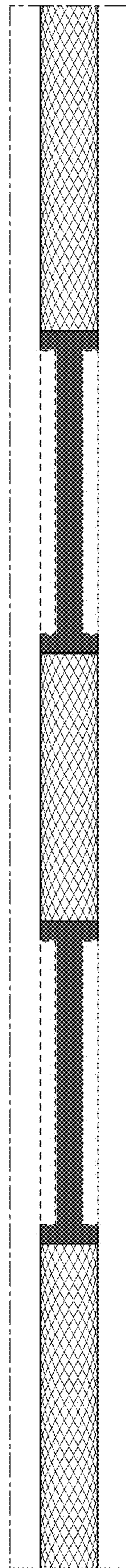


FIG. 24

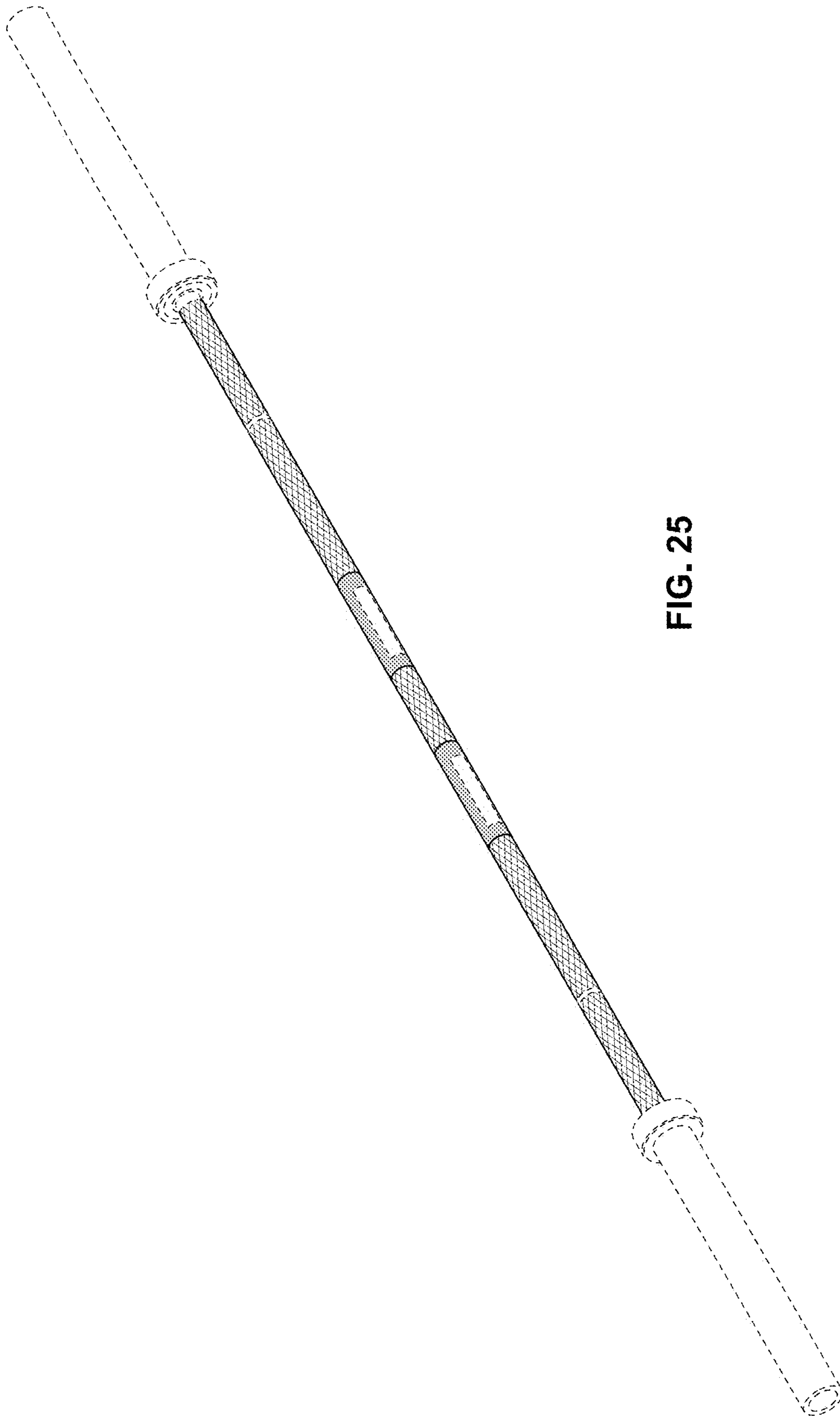


FIG. 25

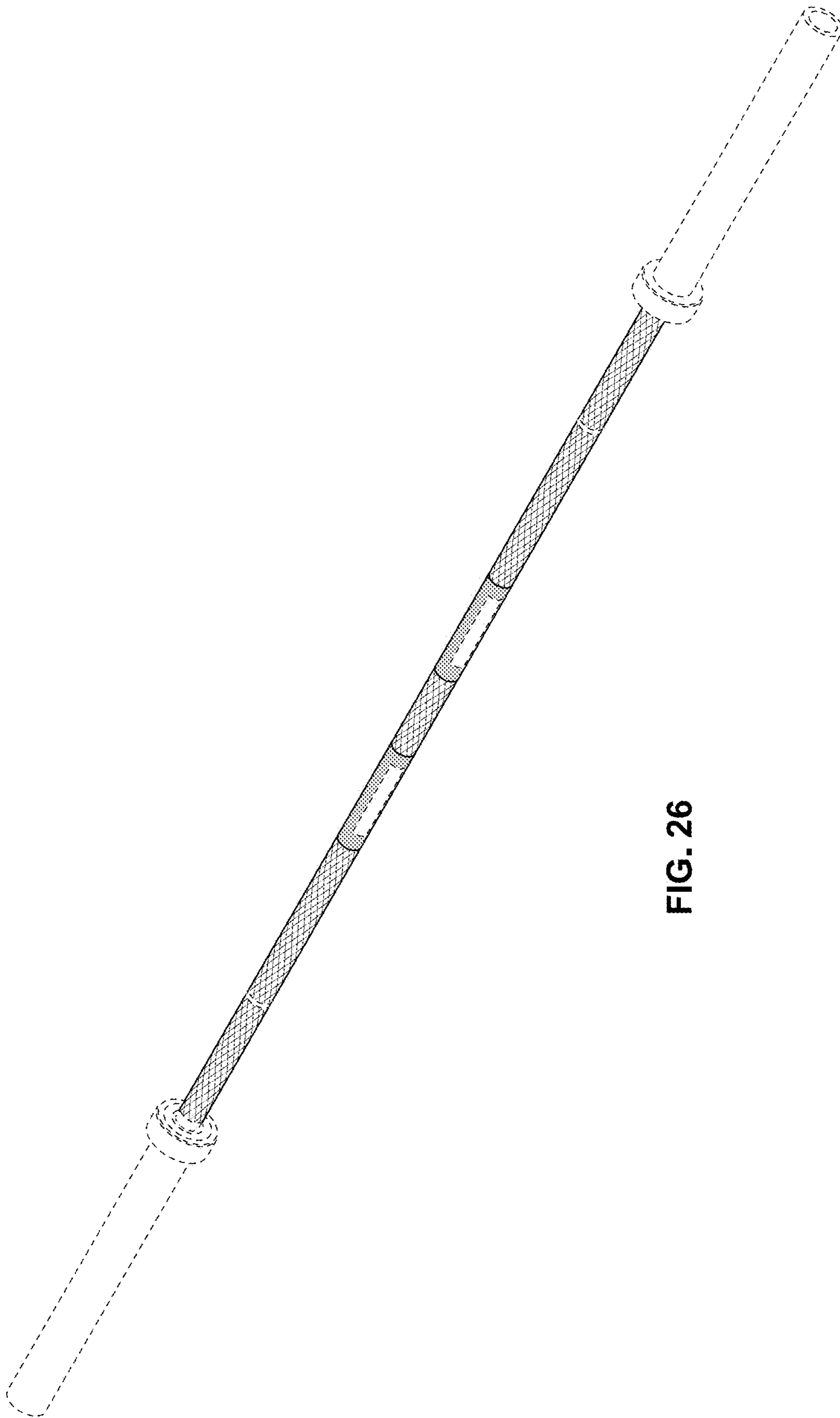
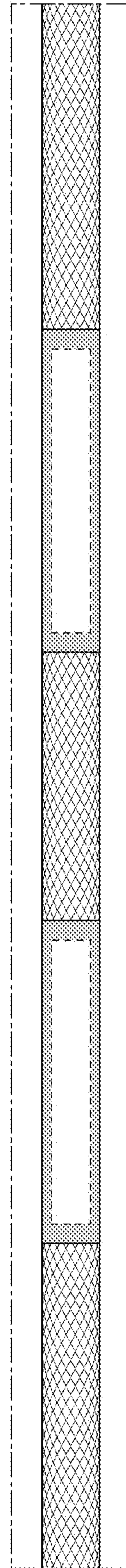
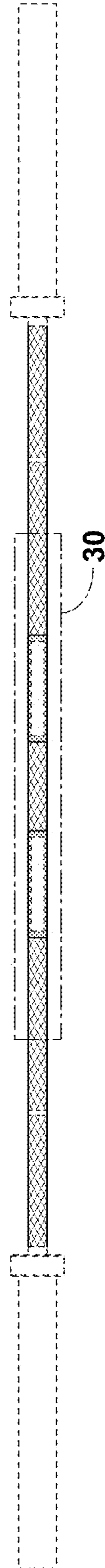
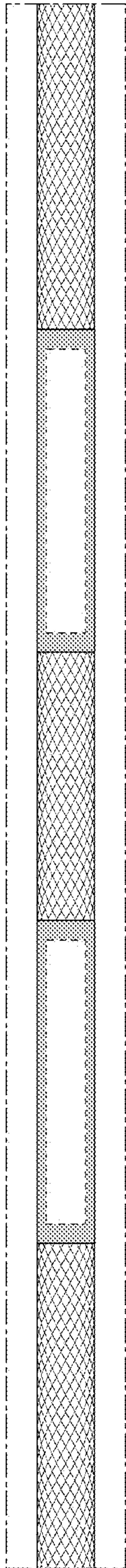
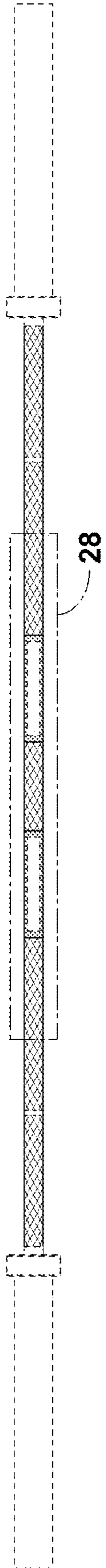


FIG. 26



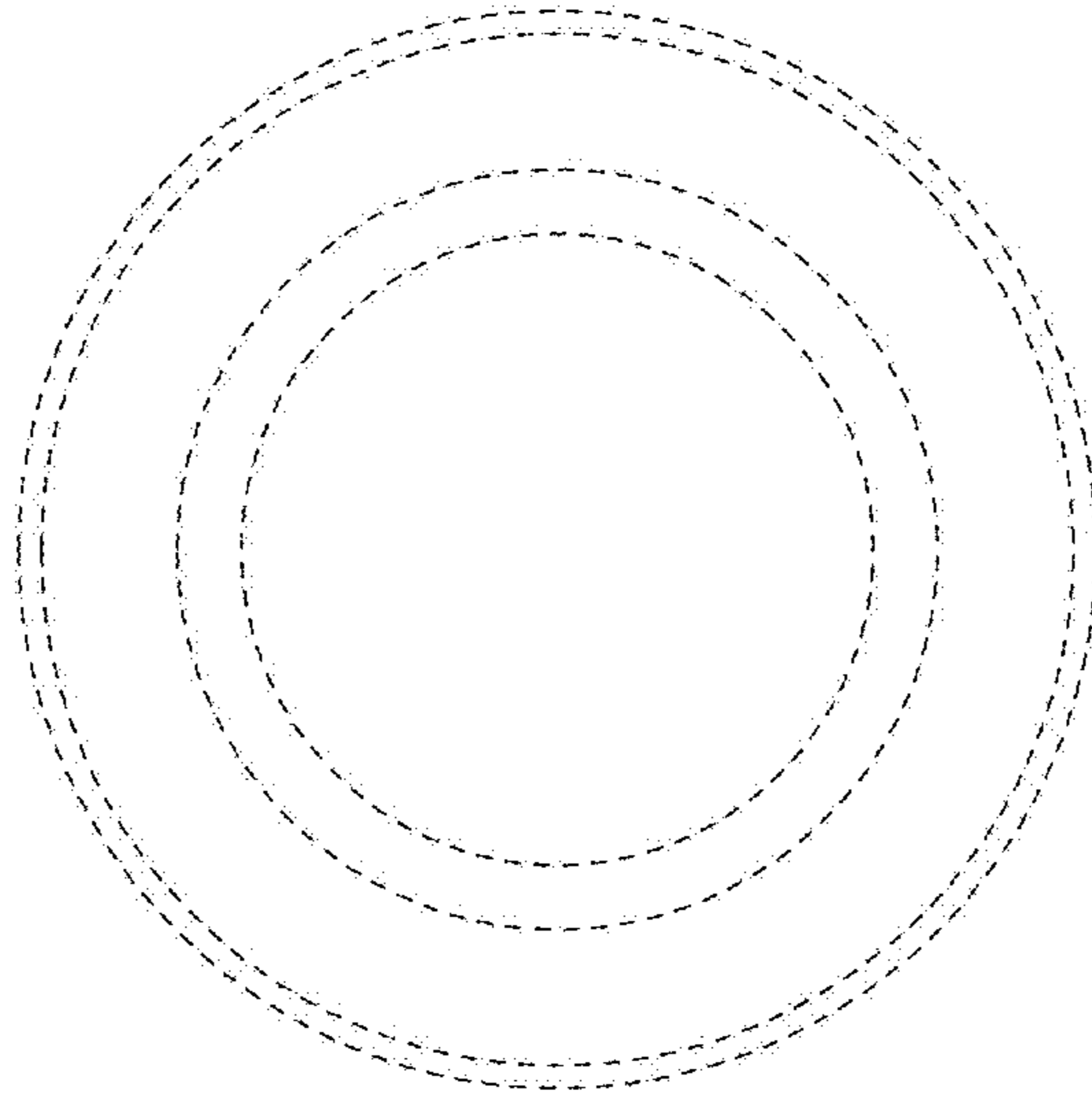


FIG. 32

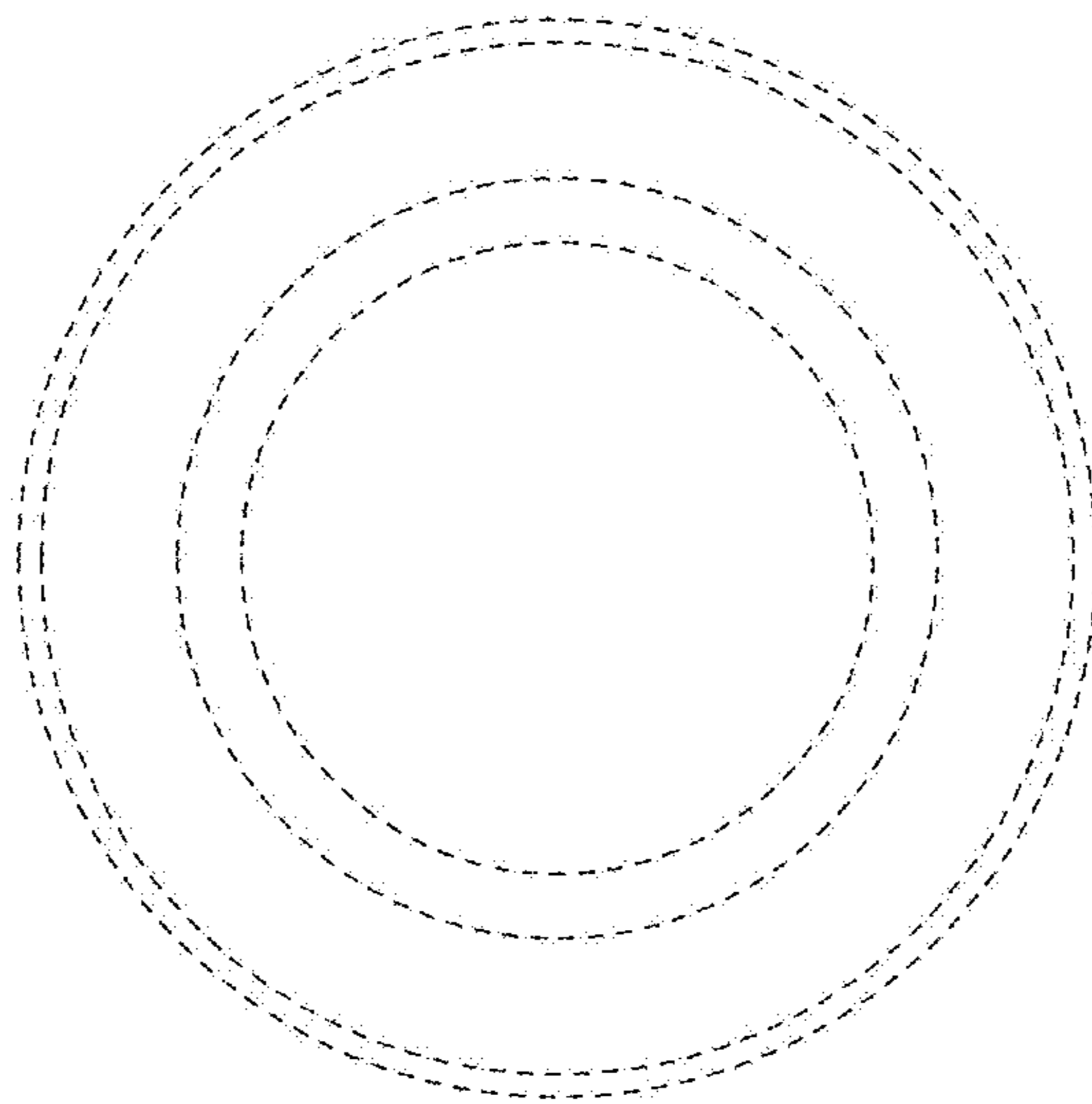


FIG. 31



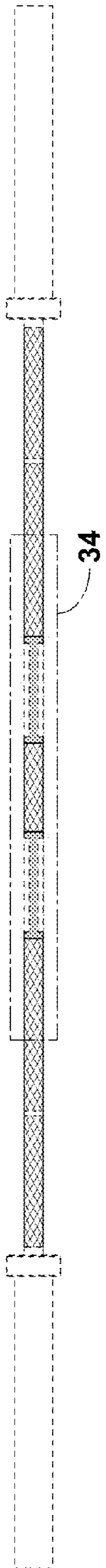


FIG. 33

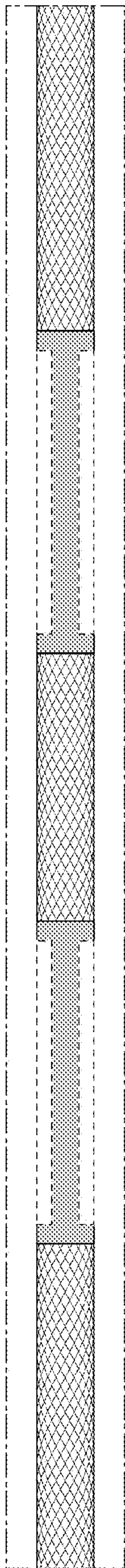


FIG. 34

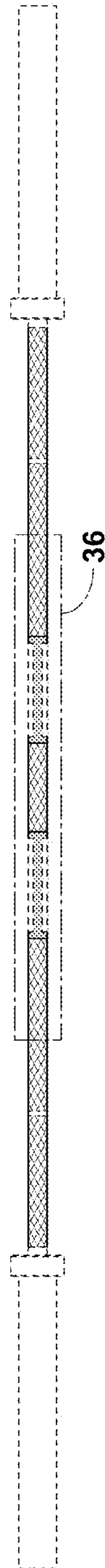


FIG. 35

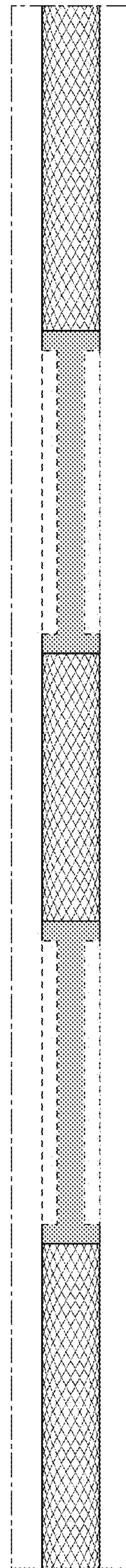


FIG. 36

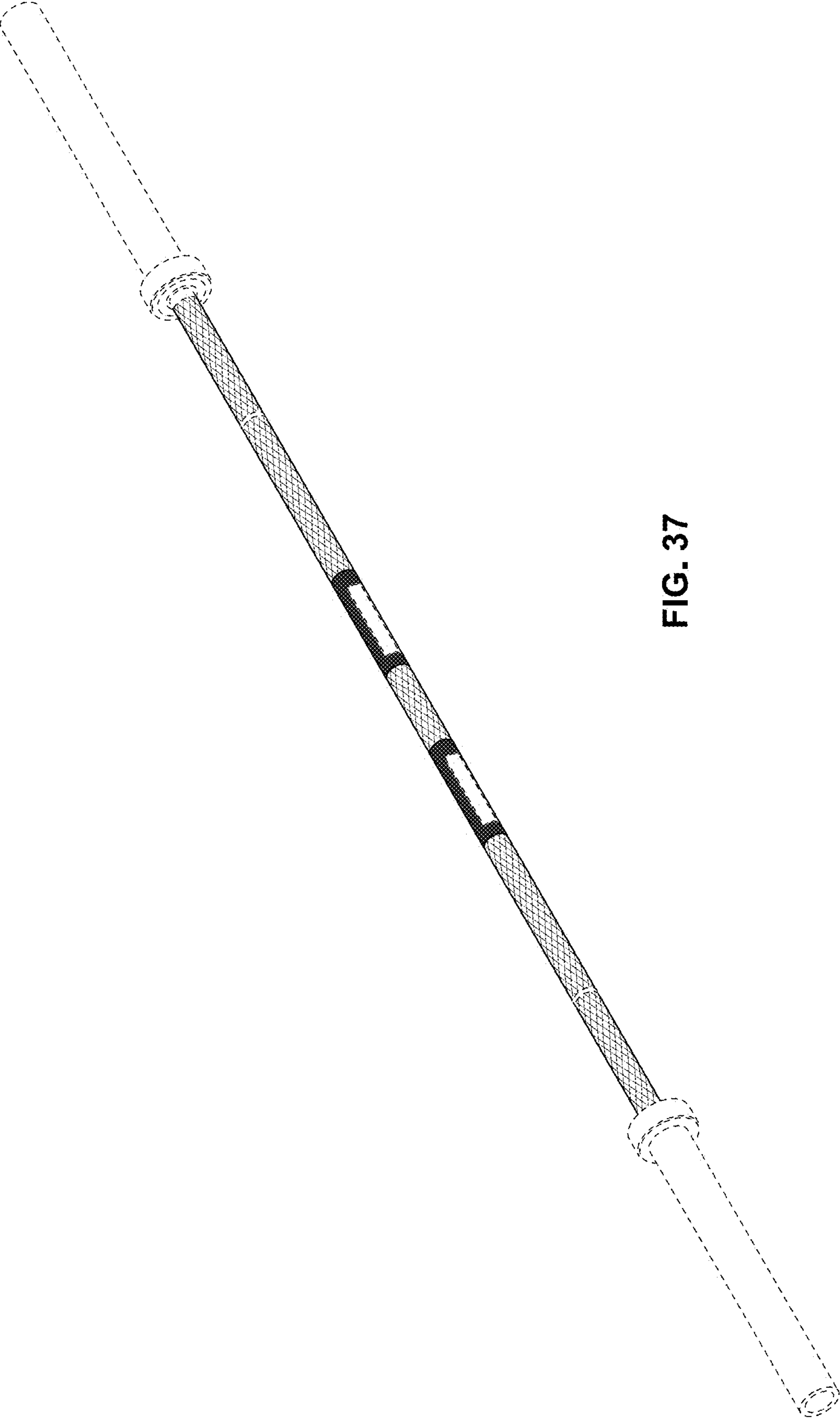


FIG. 37

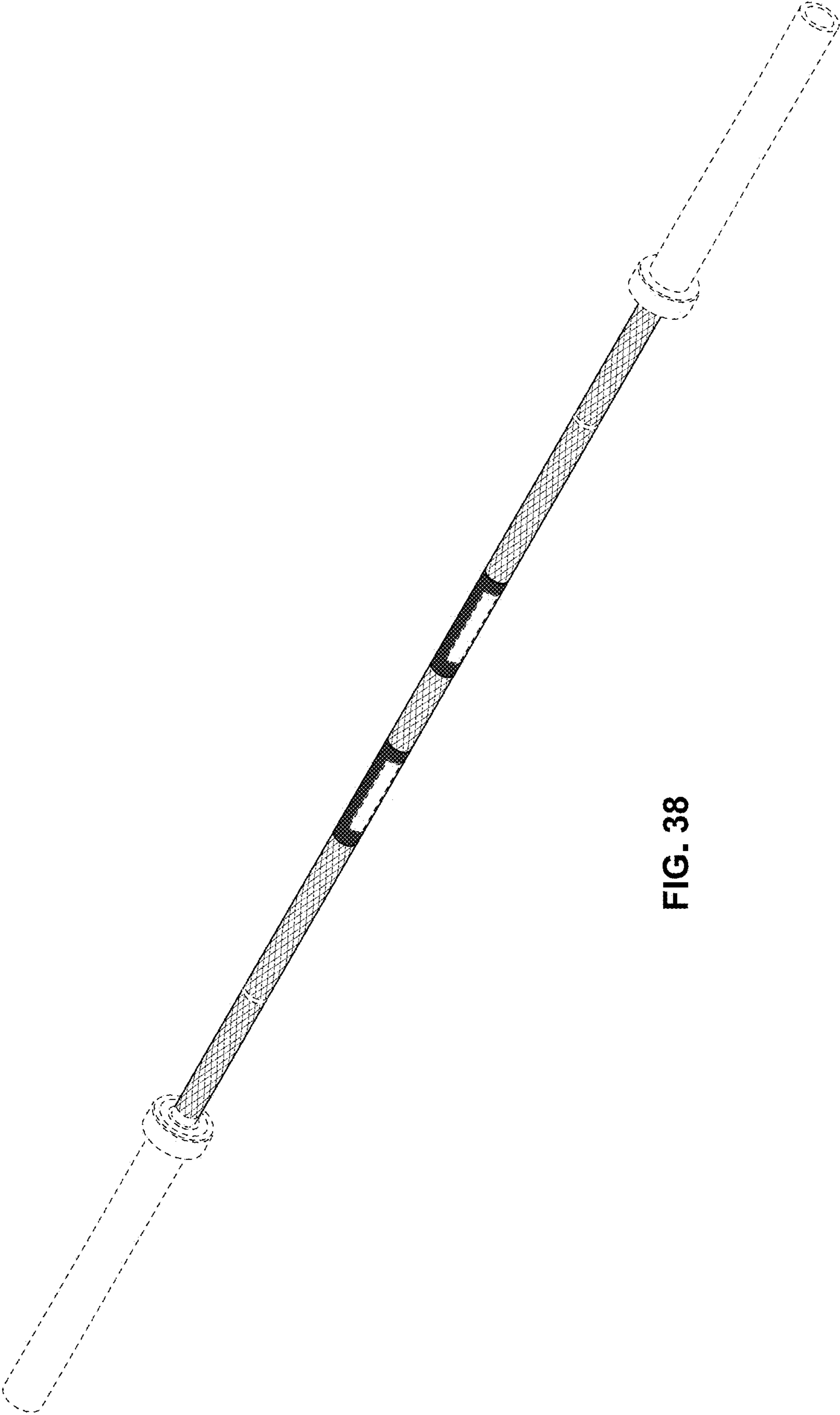
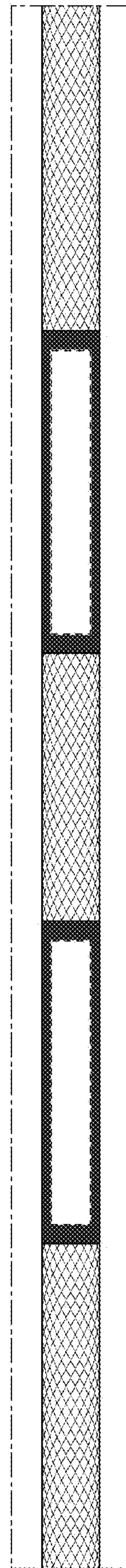
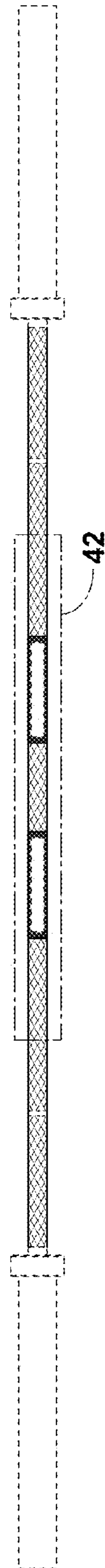
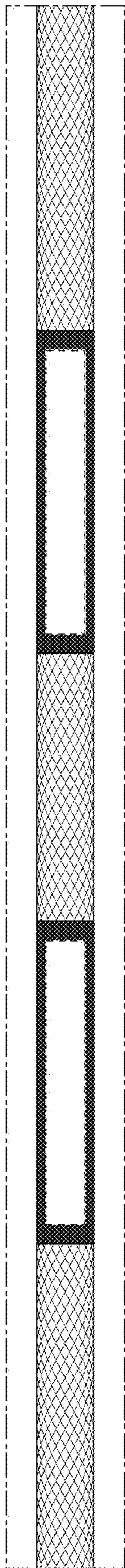
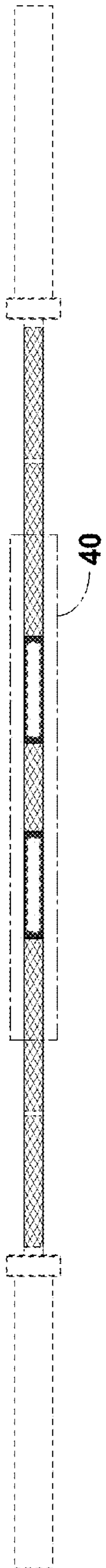


FIG. 38



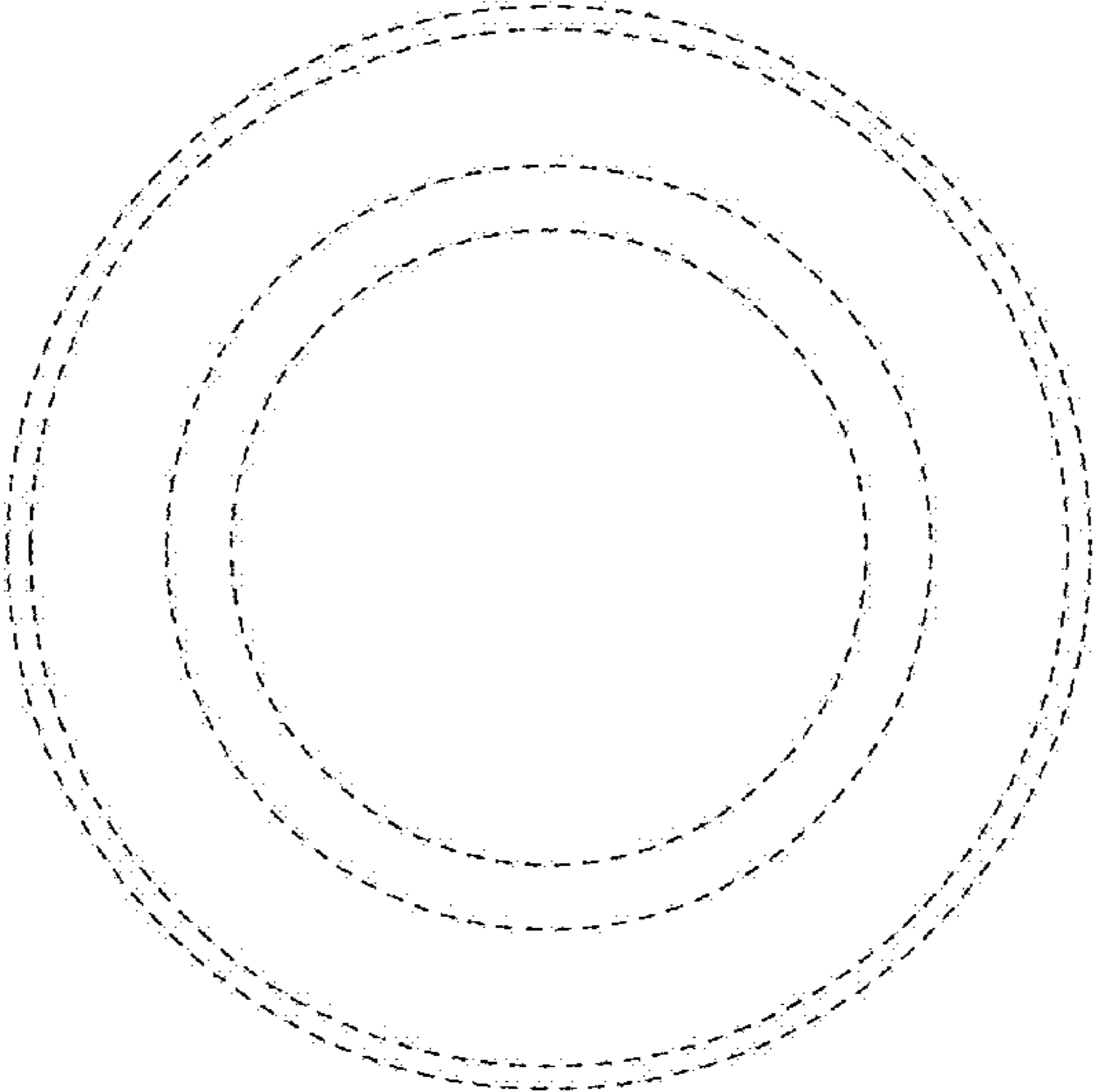


FIG. 44

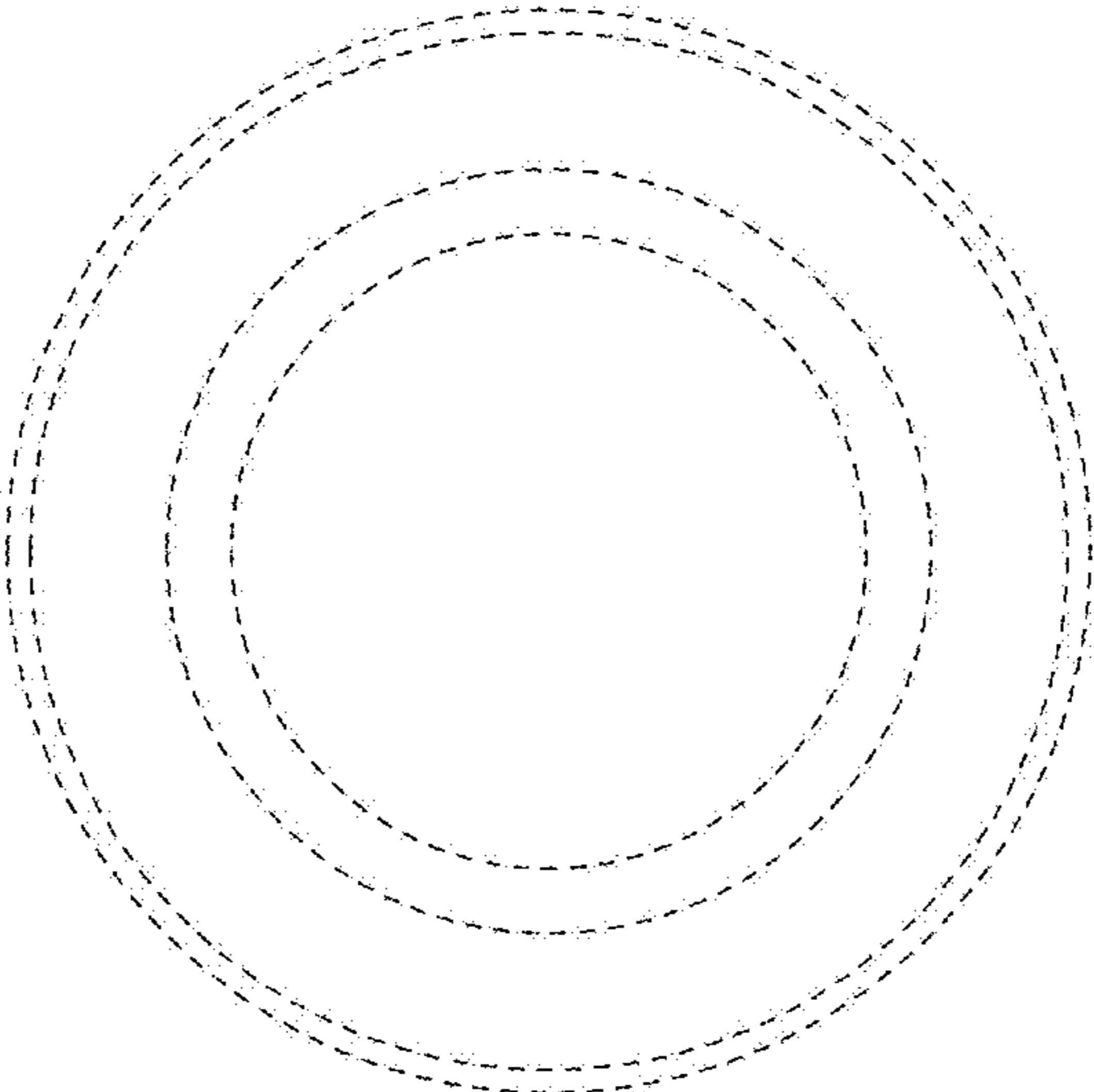


FIG. 43

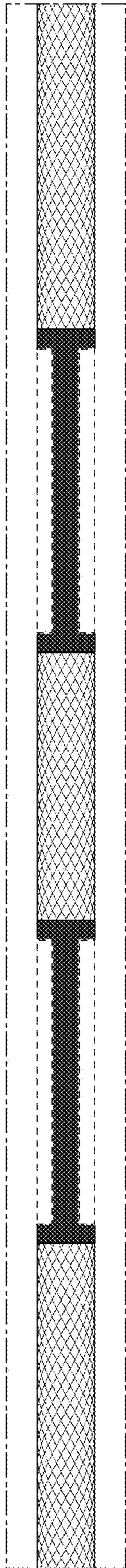
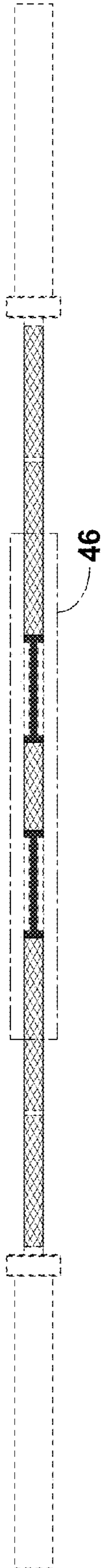


FIG. 46

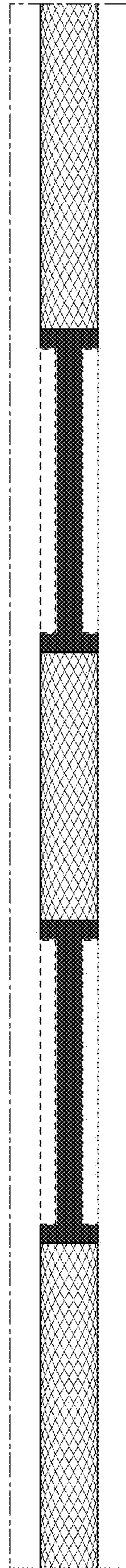
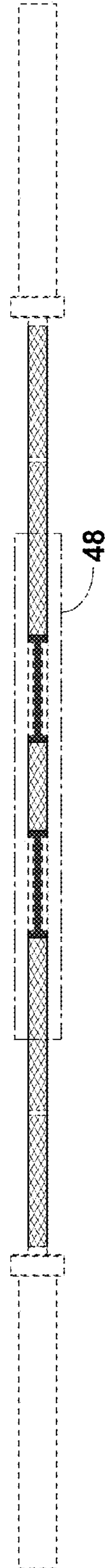


FIG. 48

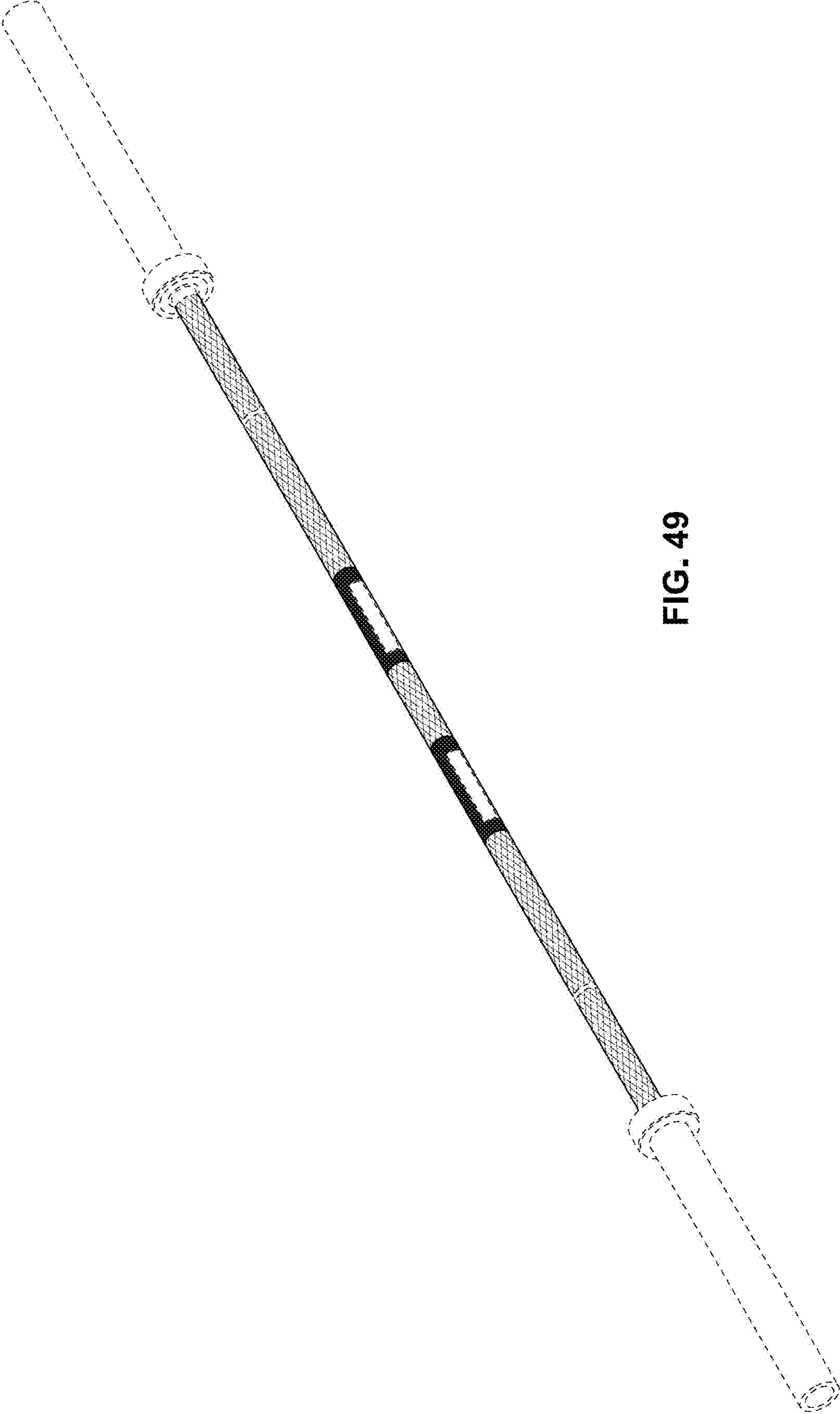


FIG. 49

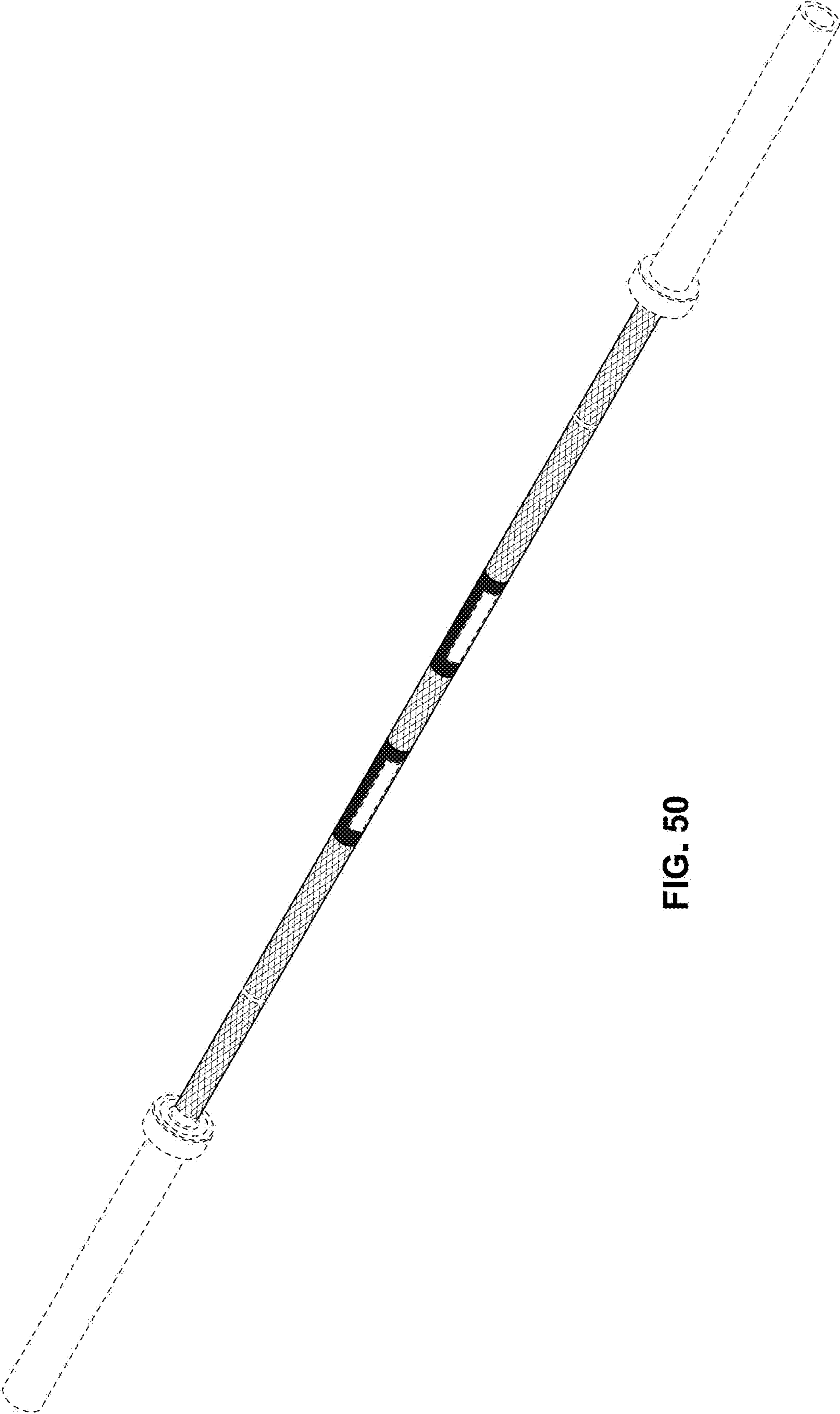
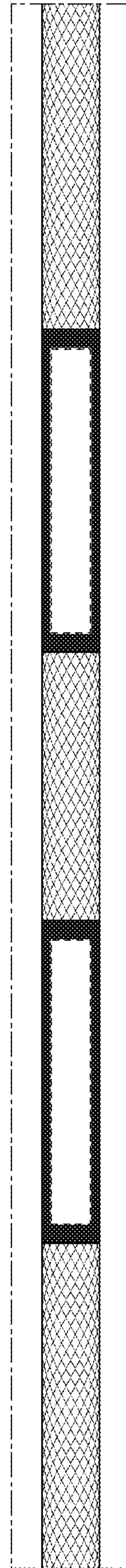
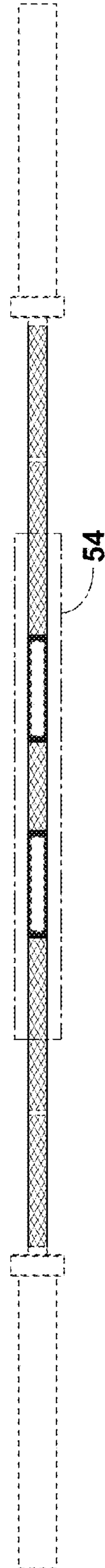
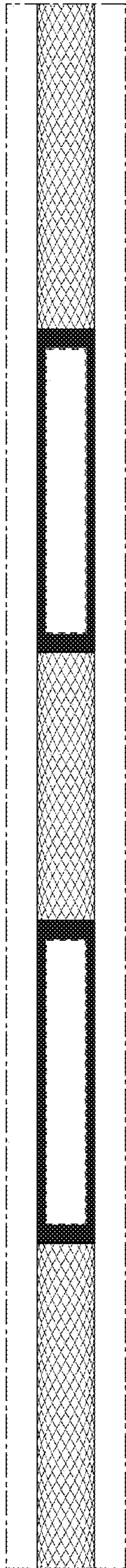
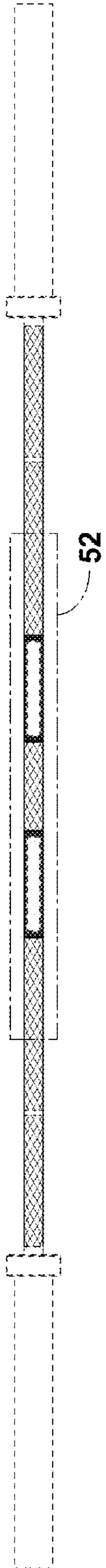


FIG. 50





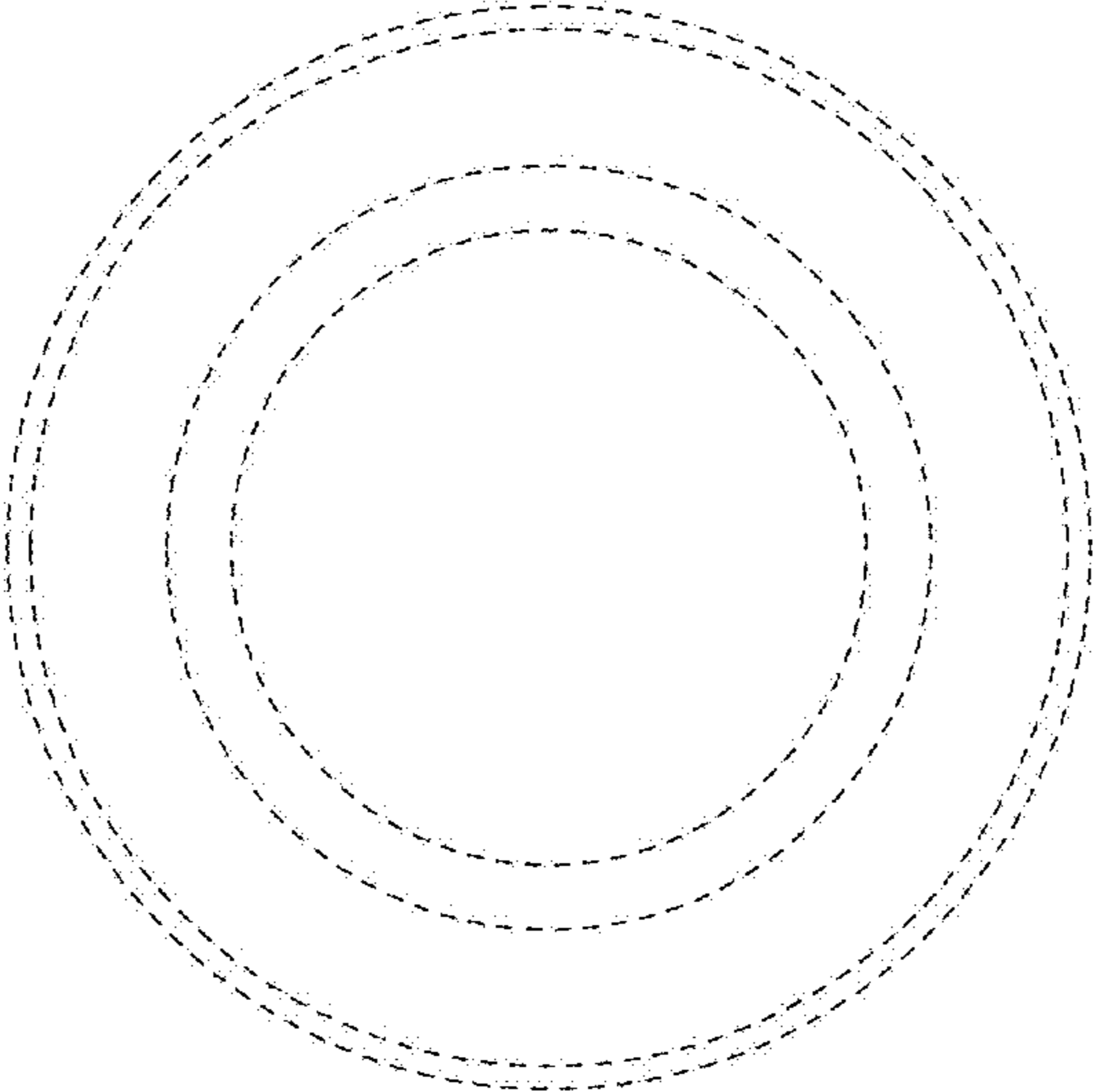


FIG. 56

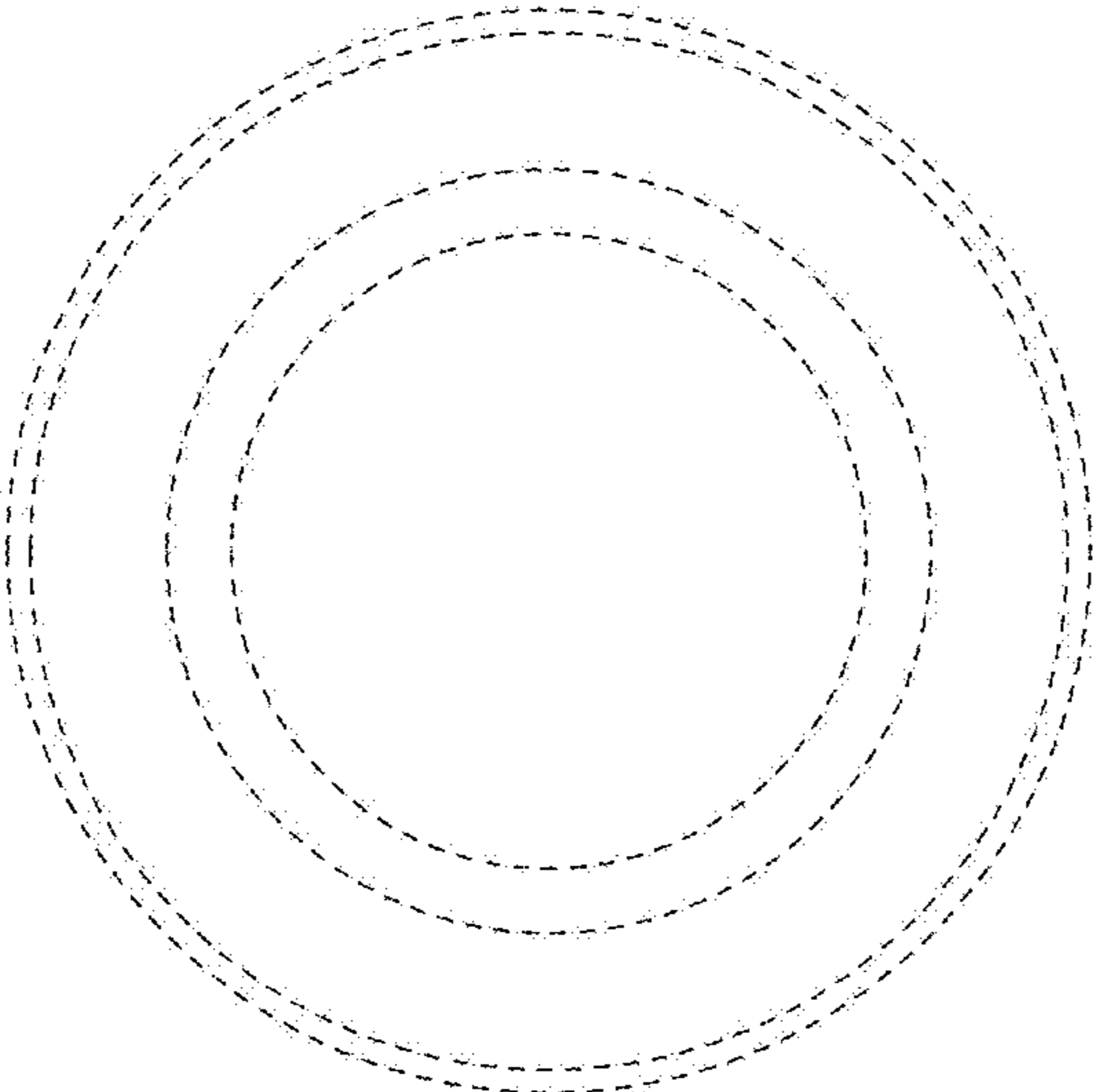


FIG. 55

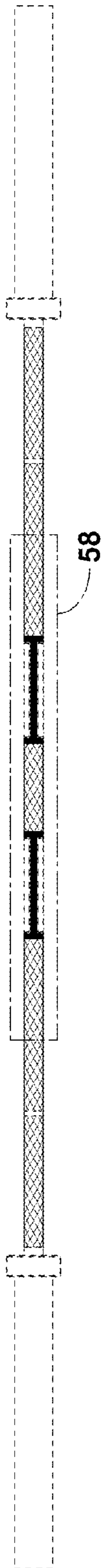


FIG. 57

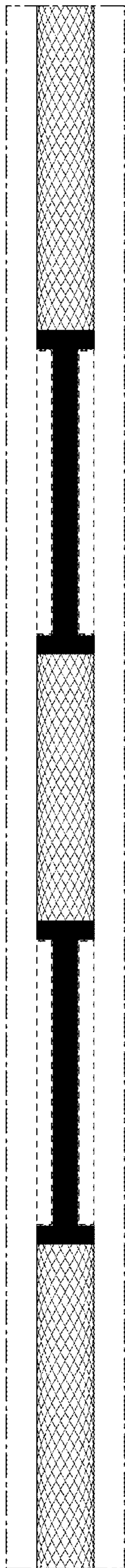


FIG. 58

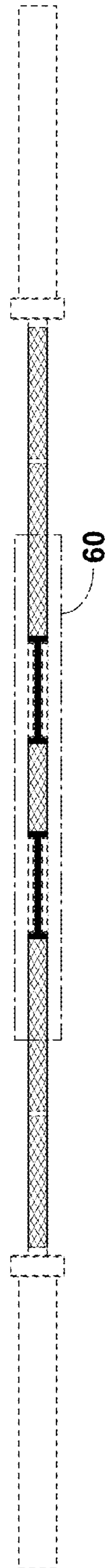


FIG. 59

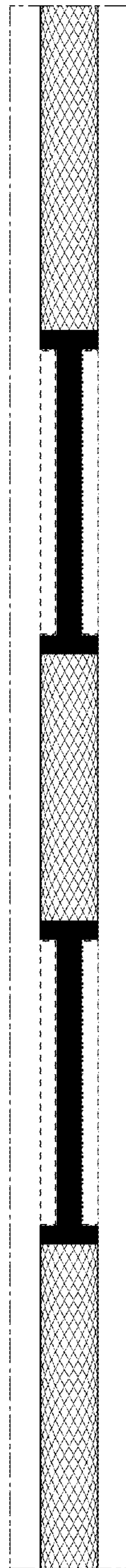


FIG. 60