



US00D873352S

(12) **United States Design Patent** (10) **Patent No.:** **US D873,352 S**  
**Lo** (45) **Date of Patent:** **\*\* Jan. 21, 2020**

(54) **BUILDING BLOCK**  
(71) Applicant: **Delsun Co., Ltd.**, Tainan (TW)  
(72) Inventor: **Feng-Jung Lo**, Tainan (TW)  
(73) Assignee: **Delsun Co., Ltd.**, Tainan (TW)  
(\*\*) Term: **15 Years**

(21) Appl. No.: **29/654,724**  
(22) Filed: **Jun. 27, 2018**  
(51) **LOC (12) Cl.** ..... **21-01**  
(52) **U.S. Cl.**  
USPC ..... **D21/499**  
(58) **Field of Classification Search**  
USPC ..... D21/468, 470, 471, 478, 479, 484-505  
CPC ..... A63H 33/04; A63H 33/044; A63H 33/06;  
A63H 33/062; A63H 33/10; A63H  
33/101; A63H 33/108  
See application file for complete search history.

(56) **References Cited**  
U.S. PATENT DOCUMENTS  
2,861,388 A \* 11/1958 Favaretto ..... A63H 33/088  
446/124  
3,374,917 A \* 3/1968 Troy ..... A63H 33/08  
220/23.4  
D272,256 S \* 1/1984 Chatani ..... D21/499  
5,000,713 A \* 3/1991 Cheng ..... A63H 33/06  
273/160  
D324,084 S \* 2/1992 Knudsen ..... D21/500

D346,627 S \* 5/1994 Bach ..... D21/501  
D411,591 S \* 6/1999 Laserna Fernandez ..... D21/500  
D545,919 S \* 7/2007 Sorensen ..... D21/484  
D546,401 S \* 7/2007 Sorensen ..... D21/484  
D701,923 S \* 4/2014 Jensen ..... D21/500  
D755,903 S \* 5/2016 Chen ..... D21/499  
D849,155 S \* 5/2019 Lo ..... D21/499  
2009/0215357 A1 \* 8/2009 Seligman ..... A63H 33/042  
446/127

\* cited by examiner

*Primary Examiner* — Cynthia M. Chin

(74) *Attorney, Agent, or Firm* — Alan D. Kamrath; Karin L. Williams; Mayer & Williams PC

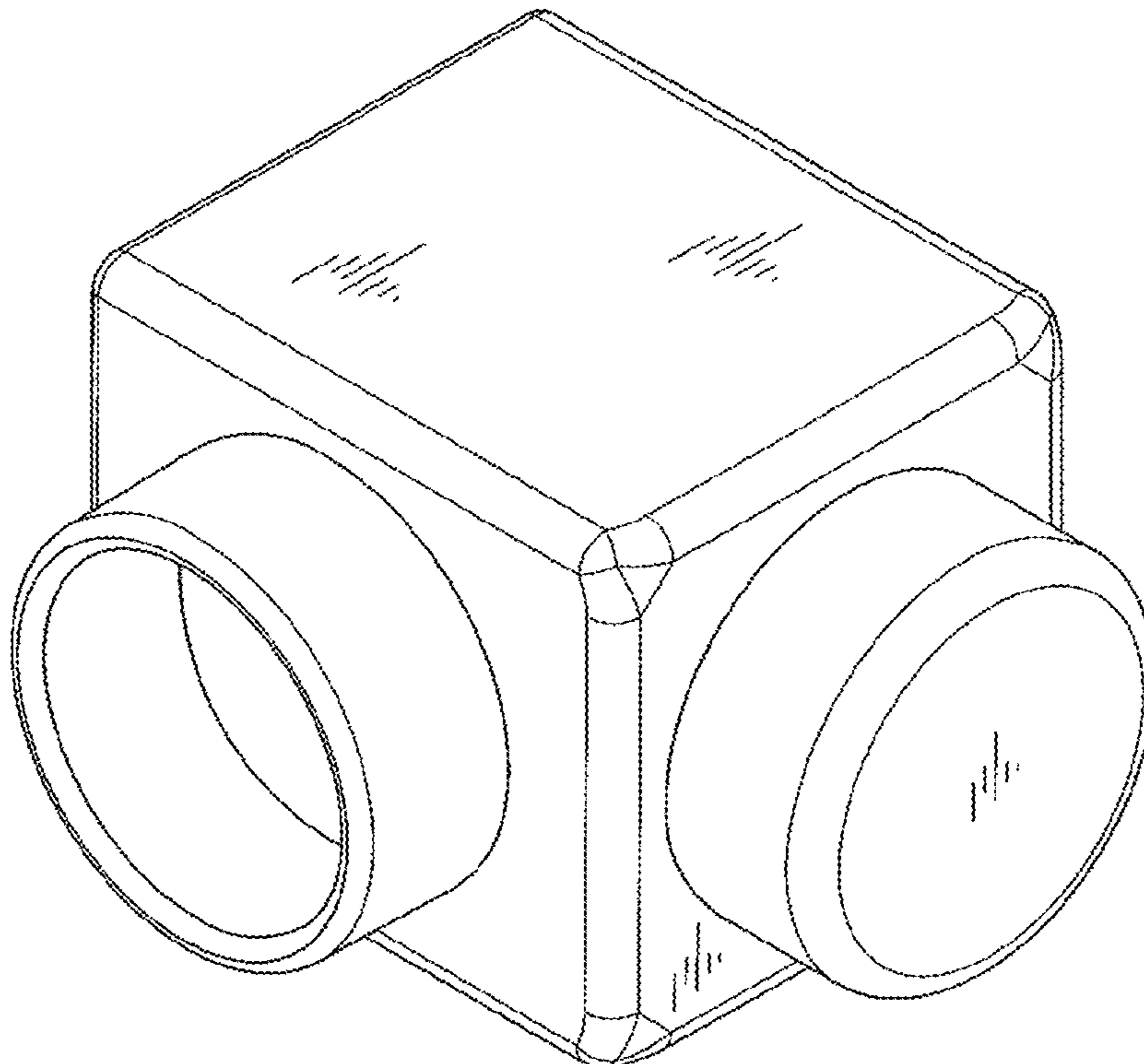
(57) **CLAIM**

The ornamental design for a building block, as shown and described.

**DESCRIPTION**

FIG. 1 is a perspective view of a building block showing my design;  
FIG. 2 is a front elevational view thereof;  
FIG. 3 is a rear elevational view thereof;  
FIG. 4 is a left side elevational view thereof;  
FIG. 5 is a right side elevational view thereof;  
FIG. 6 is a top plan view thereof;  
FIG. 7 is a bottom plan view thereof; and,  
FIG. 8 is another perspective view of a building block showing my design.  
The broken lines are for the purpose of illustrating portions of the building block that form no part of the claimed design.

**1 Claim, 8 Drawing Sheets**



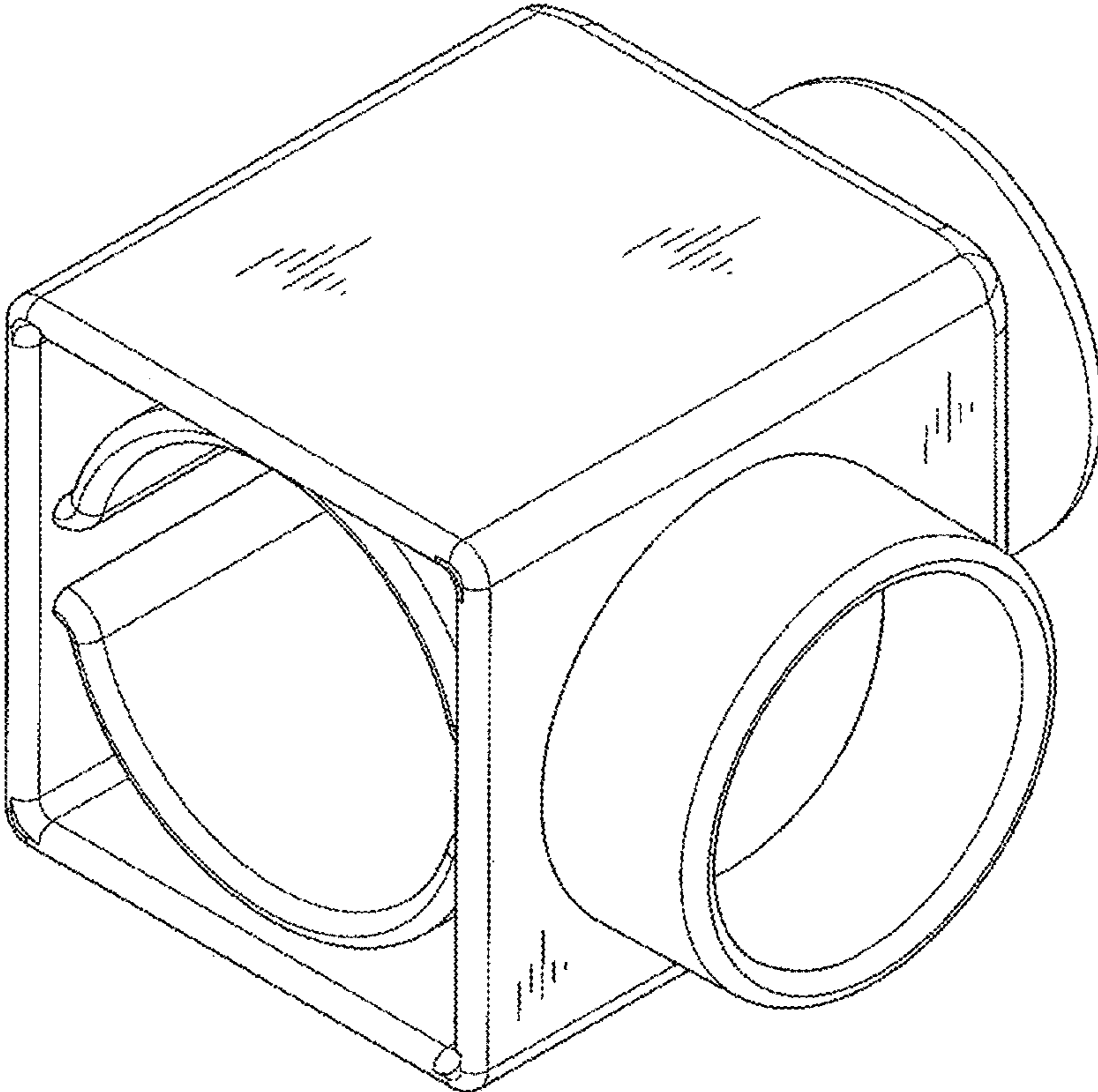


FIG. 1

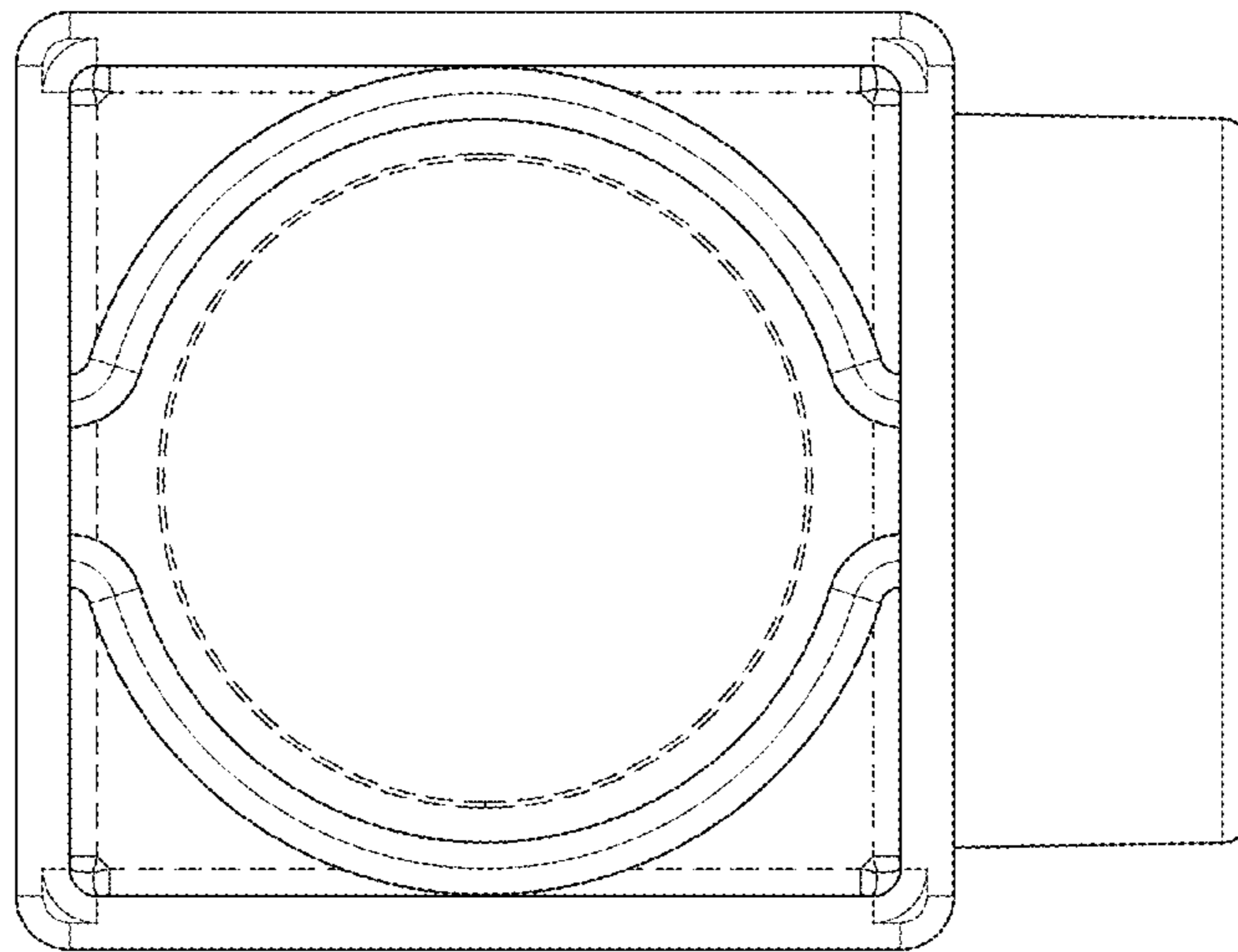


FIG. 2

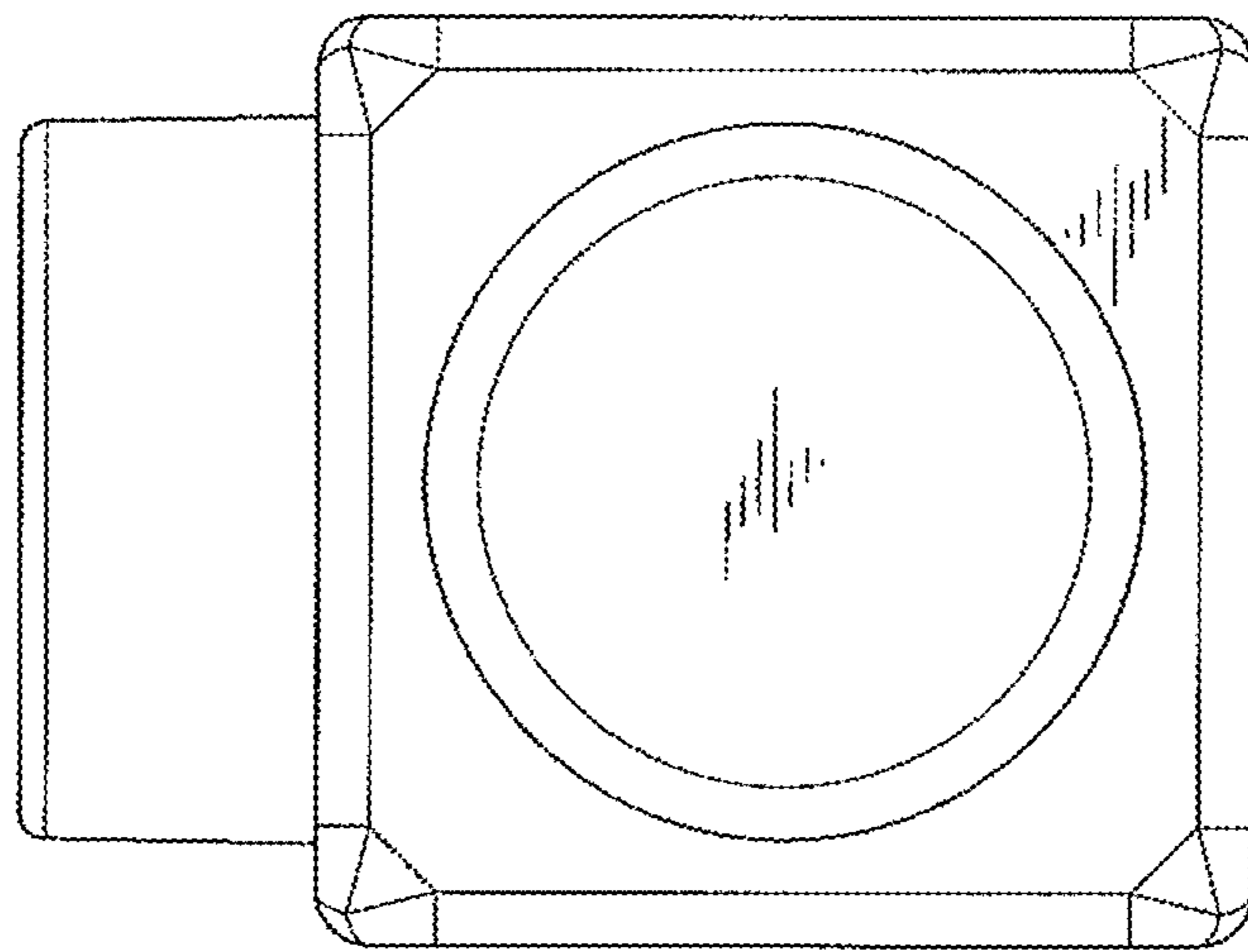


FIG. 3

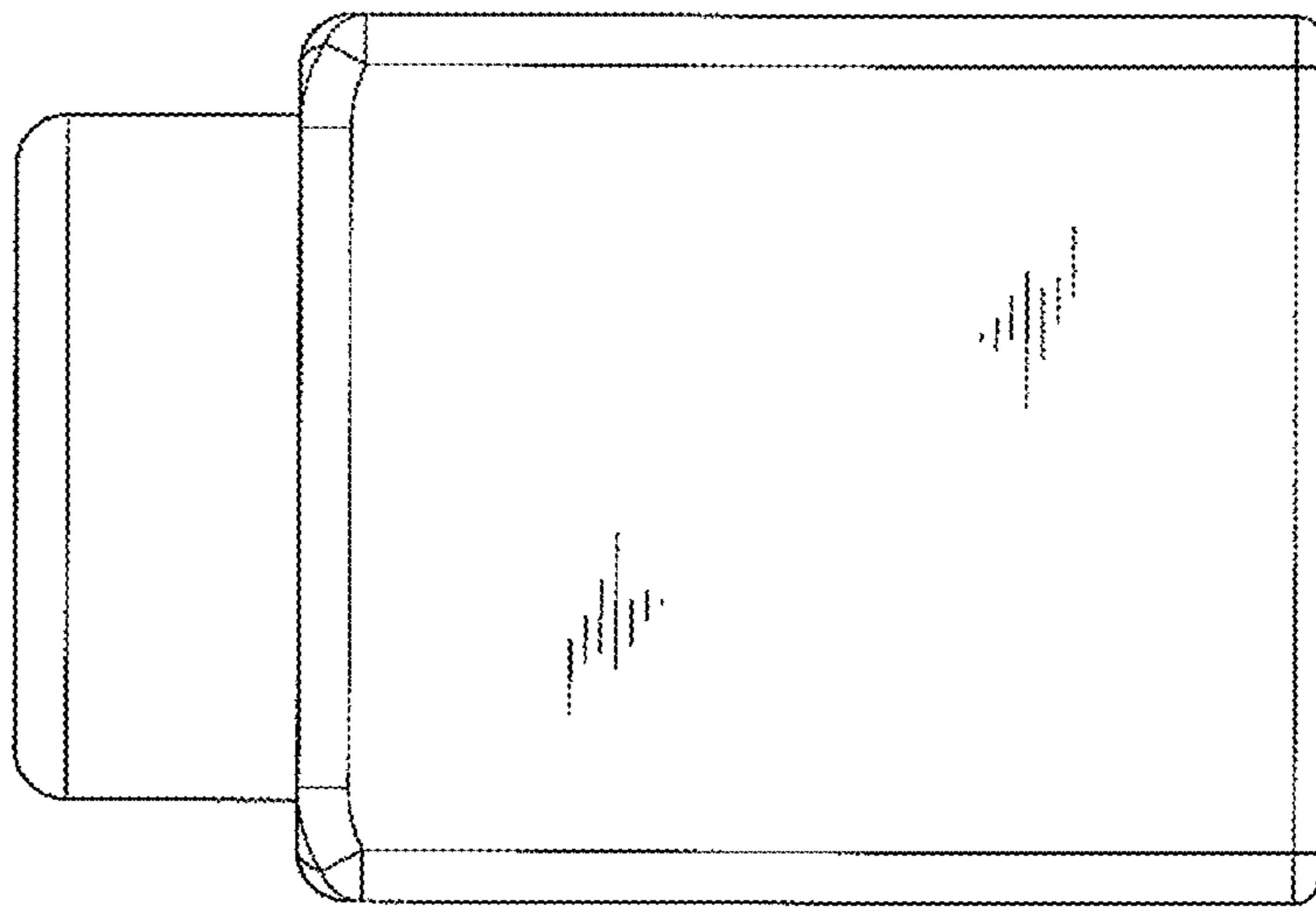


FIG. 4

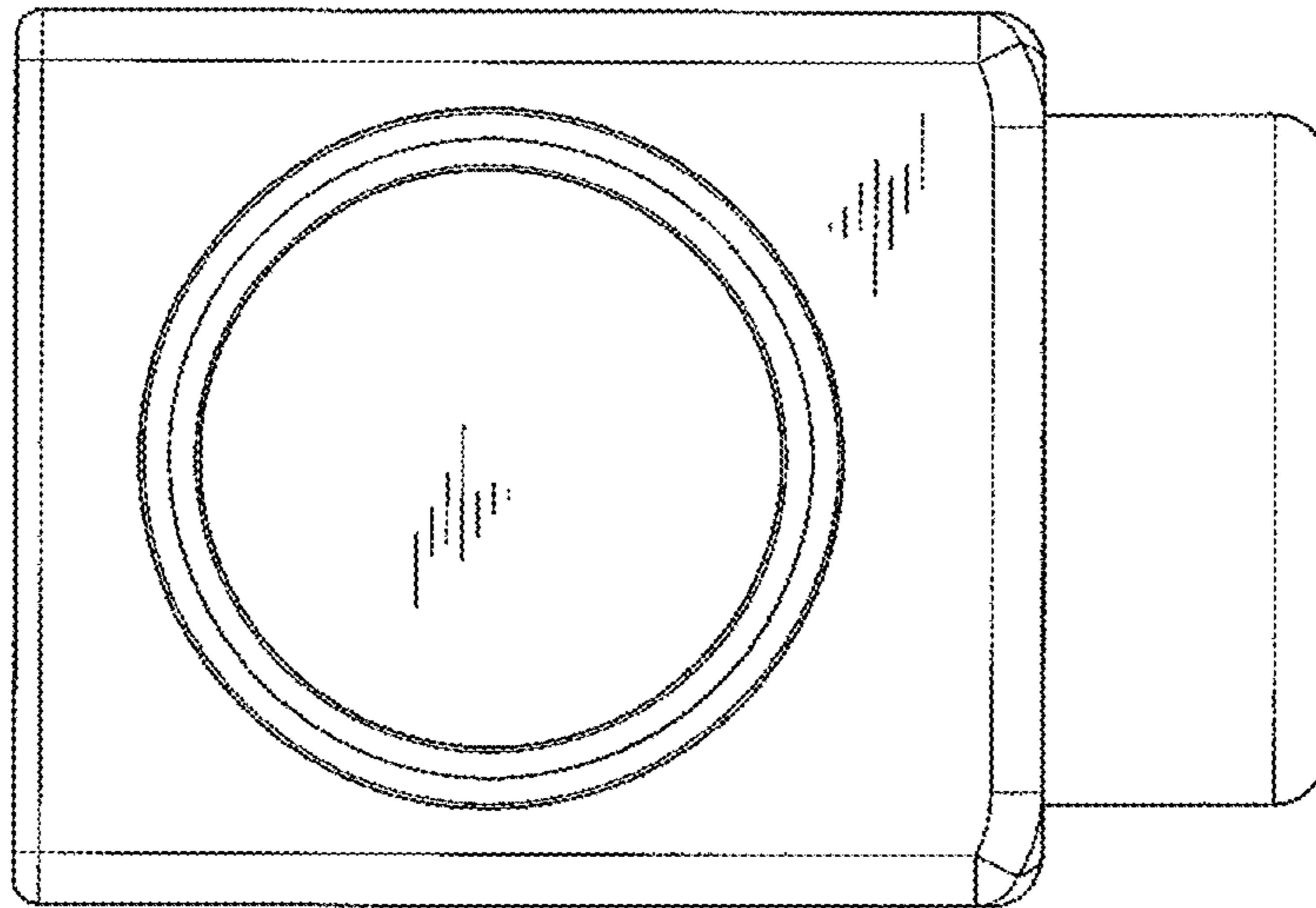


FIG. 5

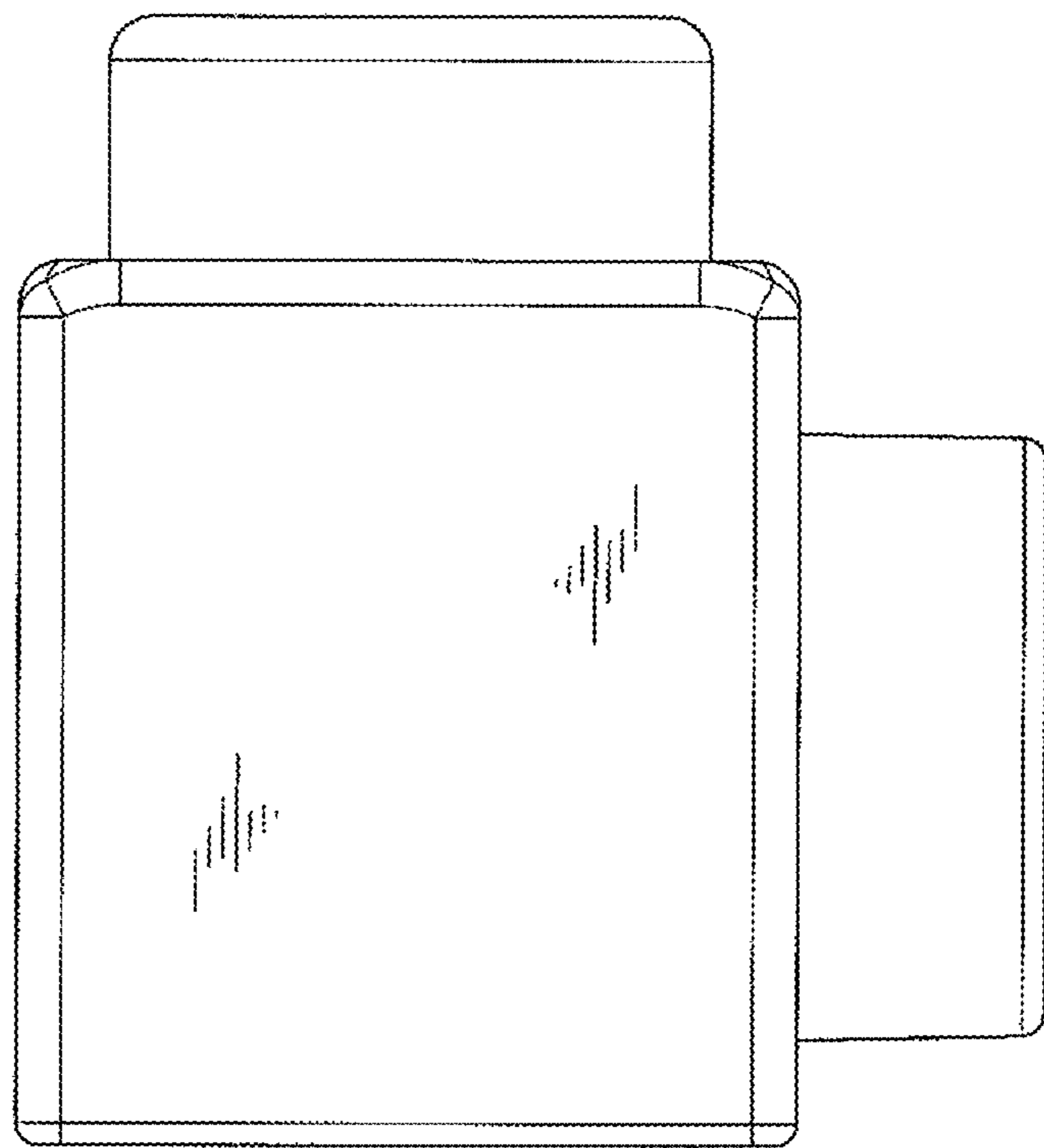


FIG. 6

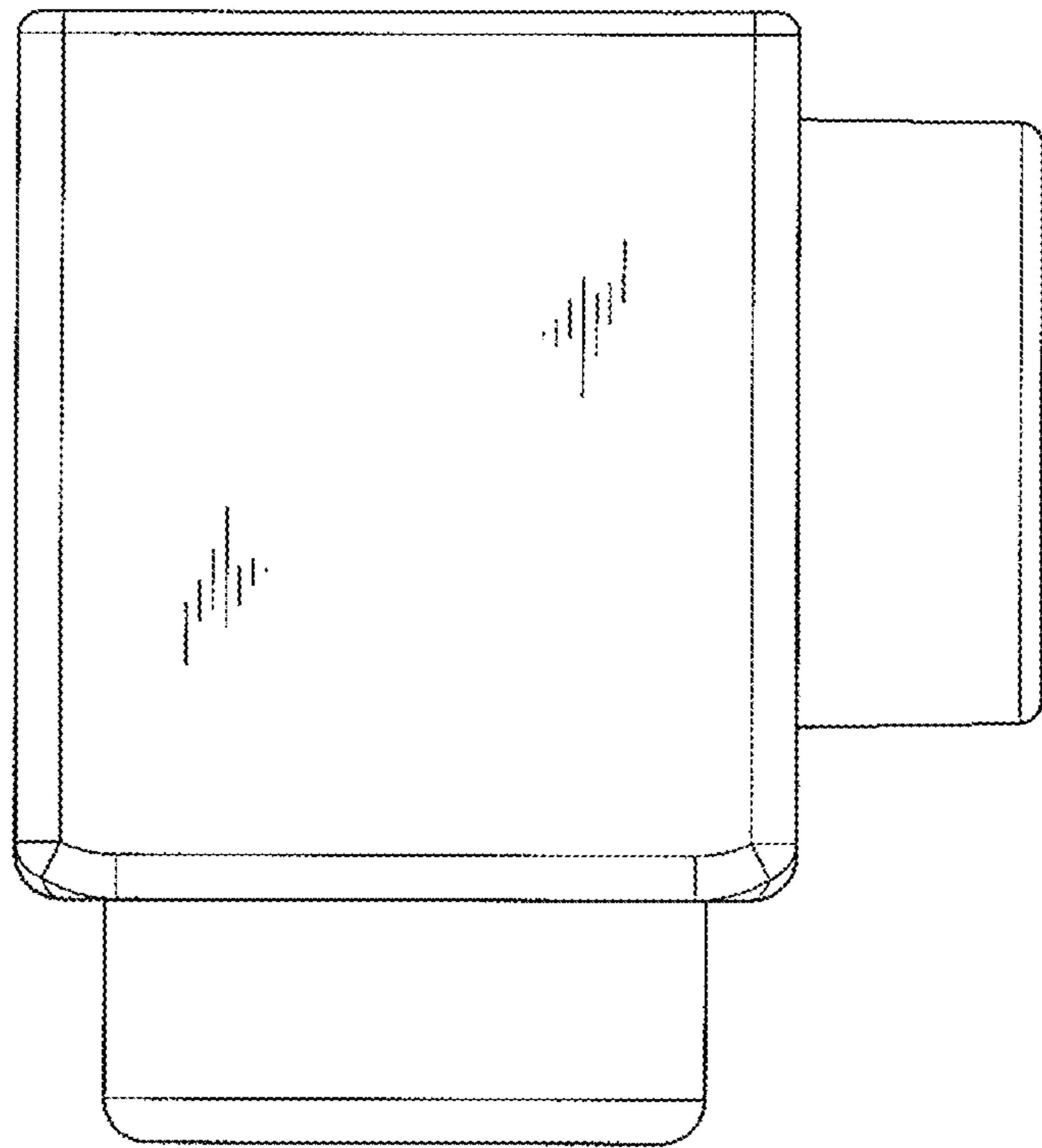


FIG. 7



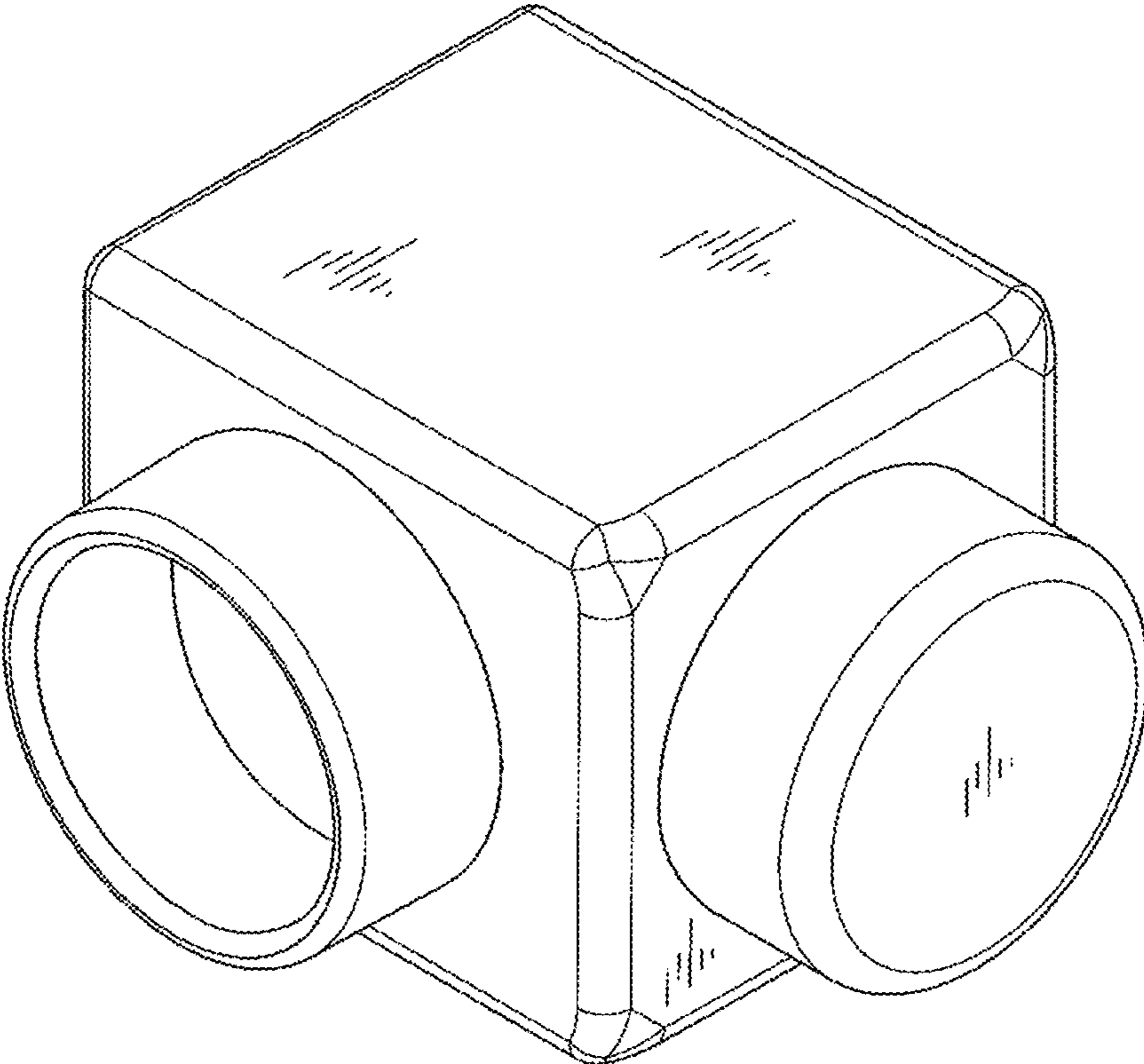


FIG. 8