



US00D873349S

(12) **United States Design Patent** (10) **Patent No.:** **US D873,349 S**
Huang (45) **Date of Patent:** **** Jan. 21, 2020**

(54) **ELECTRIC SCOOTER**
(71) Applicant: **RAZOR USA LLC**, Cerritos, CA (US)
(72) Inventor: **Joey Chih-Wei Huang**, Temple City, CA (US)
(73) Assignee: **Razor USA LLC**, Cerritos, CA (US)
(**) Term: **15 Years**
(21) Appl. No.: **29/647,834**
(22) Filed: **May 16, 2018**

D435,874 S 1/2001 Cheng
6,179,307 B1 1/2001 Mao
D438,911 S 3/2001 Chen
D438,912 S 3/2001 Barrera
D439,623 S 3/2001 Barrera
6,206,387 B1 3/2001 Tsai
D444,824 S 7/2001 Udwin et al.
(Continued)

FOREIGN PATENT DOCUMENTS

CH 598051 4/1978
DE 201 07 388 U1 7/2001
(Continued)

OTHER PUBLICATIONS

U.S. Appl. No. 29/591,292, filed Jan. 18, 2017, Huang et al.
(Continued)

Primary Examiner — Cynthia M. Chin
(74) *Attorney, Agent, or Firm* — Knobbe Martens Olson & Bear, LLP

Related U.S. Application Data

(63) Continuation of application No. 29/577,038, filed on Sep. 8, 2016, now Pat. No. Des. 818,541.
(51) **LOC (12) Cl.** **21-01**
(52) **U.S. Cl.**
USPC **D21/423**
(58) **Field of Classification Search**
USPC D21/419, 421, 423, 426–428, 435, 760,
D21/765, 771; D12/1, 8, 108, 112, 113
CPC . B62K 3/002; B62K 9/00; B62K 9/02; B62K
13/00; B62K 2202/00; B62K 11/00;
B62K 11/02; B62K 11/06; B62K 11/10;
B62K 15/00; B62K 17/00; H04W 4/40
See application file for complete search history.

(57) **CLAIM**

The ornamental design for an electric scooter, as shown and described.

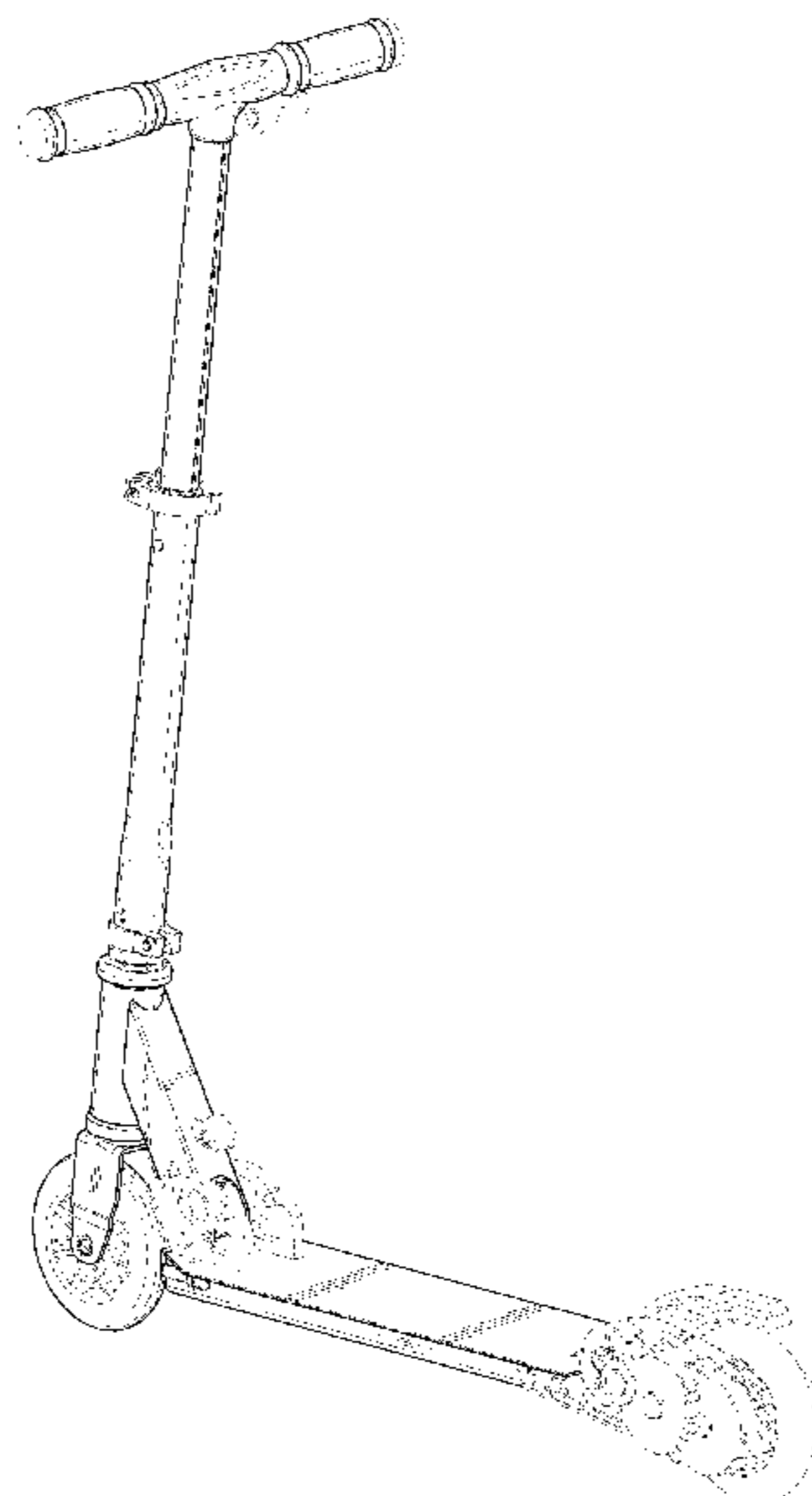
DESCRIPTION

FIG. 1 is a top, rear, left-side perspective view showing an electric scooter of my design;
FIG. 2 is a front view thereof;
FIG. 3 is a rear view thereof;
FIG. 4 is a left-side view thereof;
FIG. 5 is a right-side view thereof;
FIG. 6 is a top view thereof; and,
FIG. 7 is a bottom view thereof.
The broken lines are for the purpose of illustrating portions of the electric scooter that form no part of the claimed design.

(56) **References Cited**
U.S. PATENT DOCUMENTS

4,094,372 A 6/1978 Notter
4,842,091 A 6/1989 Badsey
D326,290 S 5/1992 Badsey
5,662,187 A 9/1997 McGovern
5,848,660 A 12/1998 McGreen
6,029,763 A 2/2000 Swisher
6,139,035 A 10/2000 Tsai
D433,718 S 11/2000 Mcgreen
D435,873 S 1/2001 Lee

1 Claim, 6 Drawing Sheets



(56)

References Cited

U.S. PATENT DOCUMENTS

D446,259 S 8/2001 Udwin et al.
 D447,187 S 8/2001 Powers
 D447,188 S 8/2001 Lan
 6,273,205 B1 8/2001 Tsai
 6,296,082 B1 10/2001 Tsai
 6,298,952 B1 10/2001 Tsai
 D450,355 S 11/2001 Chan
 D452,284 S 12/2001 McGinnis
 D453,804 S 2/2002 Robinson
 D454,377 S 3/2002 Hsu et al.
 D456,460 S 4/2002 Tseng
 6,378,880 B1 4/2002 Lin
 6,382,366 B1 5/2002 Chang
 6,386,330 B1 5/2002 Wei
 6,394,213 B1 5/2002 Tsai
 D459,761 S 7/2002 Chen
 6,416,060 B1 7/2002 Chen
 6,428,021 B1 8/2002 Tung
 6,443,470 B1 9/2002 Ulrich et al.
 6,462,493 B2 10/2002 Lan
 6,481,728 B2 11/2002 Chen
 6,481,729 B2 11/2002 Herman et al.
 D471,597 S 3/2003 Chen
 D471,598 S 3/2003 Chen
 D475,093 S 5/2003 Furter et al.
 6,619,416 B2 9/2003 Lan
 6,672,607 B2 1/2004 Chung
 D486,532 S 2/2004 Christianson
 6,739,421 B1 5/2004 Miya
 D492,367 S 6/2004 Dennis
 D497,397 S 10/2004 Sramek
 6,832,660 B2 12/2004 Dodd
 D513,629 S 1/2006 Sramek
 D516,132 S 2/2006 Sramek
 D569,447 S 5/2008 Thomas
 D579,987 S 11/2008 Hong
 D603,463 S 11/2009 Jessie, Jr.
 7,976,035 B2* 7/2011 Chan B62K 15/00
 280/87.05
 D645,522 S 9/2011 Powers et al.
 D654,963 S 2/2012 Powers et al.
 D656,560 S 3/2012 Patterson et al.
 8,292,018 B2 10/2012 Huang
 D671,600 S 11/2012 Horne
 D672,400 S 12/2012 Pizzi
 D684,217 S 6/2013 Hadley
 D691,671 S 10/2013 Chen et al.
 D692,963 S 11/2013 Radtke et al.
 D693,414 S 11/2013 Hadley et al.
 D698,868 S 2/2014 Chan
 D710,949 S 8/2014 Huang
 8,813,892 B2 8/2014 Hadley et al.
 D714,396 S 9/2014 Talios
 D715,870 S 10/2014 Talios
 8,870,200 B2 10/2014 Chen
 D717,881 S 11/2014 Radtke et al.

8,925,935 B2 1/2015 Powers et al.
 D727,833 S 4/2015 Talios et al.
 9,045,189 B2 6/2015 Lovley, II et al.
 D736,324 S 8/2015 Lu et al.
 D738,435 S 9/2015 O'Connell
 D748,738 S 2/2016 Hadley et al.
 D750,180 S 2/2016 Edlauer
 9,321,504 B2 4/2016 Hadley et al.
 D756,464 S 5/2016 Edlauer
 D756,465 S 5/2016 Byrne et al.
 D772,990 S 11/2016 Allais
 D774,145 S 12/2016 Hadley et al.
 D774,601 S 12/2016 Mizrahi et al.
 D777,844 S 1/2017 Connell
 D778,806 S 2/2017 Welford
 9,592,876 B2 3/2017 Lovley, II et al.
 9,660,500 B2 5/2017 Huang
 D806,176 S* 12/2017 Peng D21/423
 D810,836 S 2/2018 Hadley
 D811,489 S 2/2018 Hadley et al.
 D815,215 S* 4/2018 Desberg D21/423
 D818,541 S 5/2018 Huang
 D829,826 S 10/2018 Liu et al.
 D830,468 S 10/2018 Liu
 10,099,745 B2 10/2018 Hadley et al.
 D834,097 S* 11/2018 Lin D21/423
 D836,727 S 12/2018 Wilson et al.
 D837,303 S* 1/2019 Desberg D21/423
 D839,358 S* 1/2019 Cao D21/423
 D839,359 S 1/2019 Hadley
 D855,115 S* 7/2019 Yan D21/423
 2002/0093161 A1 7/2002 Udwin et al.
 2002/0170763 A1 11/2002 Townsend
 2003/0221888 A1 12/2003 McKinney, Jr. et al.
 2006/0049595 A1 3/2006 Crigler et al.
 2007/0045976 A1 3/2007 Wu
 2008/0203691 A1 8/2008 Hsu
 2013/0026734 A1 1/2013 Zhang et al.
 2013/0087983 A1* 4/2013 Ngai B60B 19/00
 280/87.041
 2013/0186698 A1 7/2013 Sarokhan
 2013/0320648 A1 12/2013 Eckert et al.
 2017/0240239 A1 8/2017 Huang et al.
 2019/0263468 A1* 8/2019 Huang B62K 3/002

FOREIGN PATENT DOCUMENTS

WO WO 2015/114614 8/2015
 WO WO 2017/127464 A1 7/2017

OTHER PUBLICATIONS

U.S. Appl. No. 29/637,724, filed Feb. 21, 2018, Hadley.
 U.S. Appl. No. 29/637,152, filed Feb. 14, 2018, Hadley.
 International Search Report in co-pending International Application
 No. PCT/US2017/013998, dated May 25, 2017, in 4 pages.

* cited by examiner

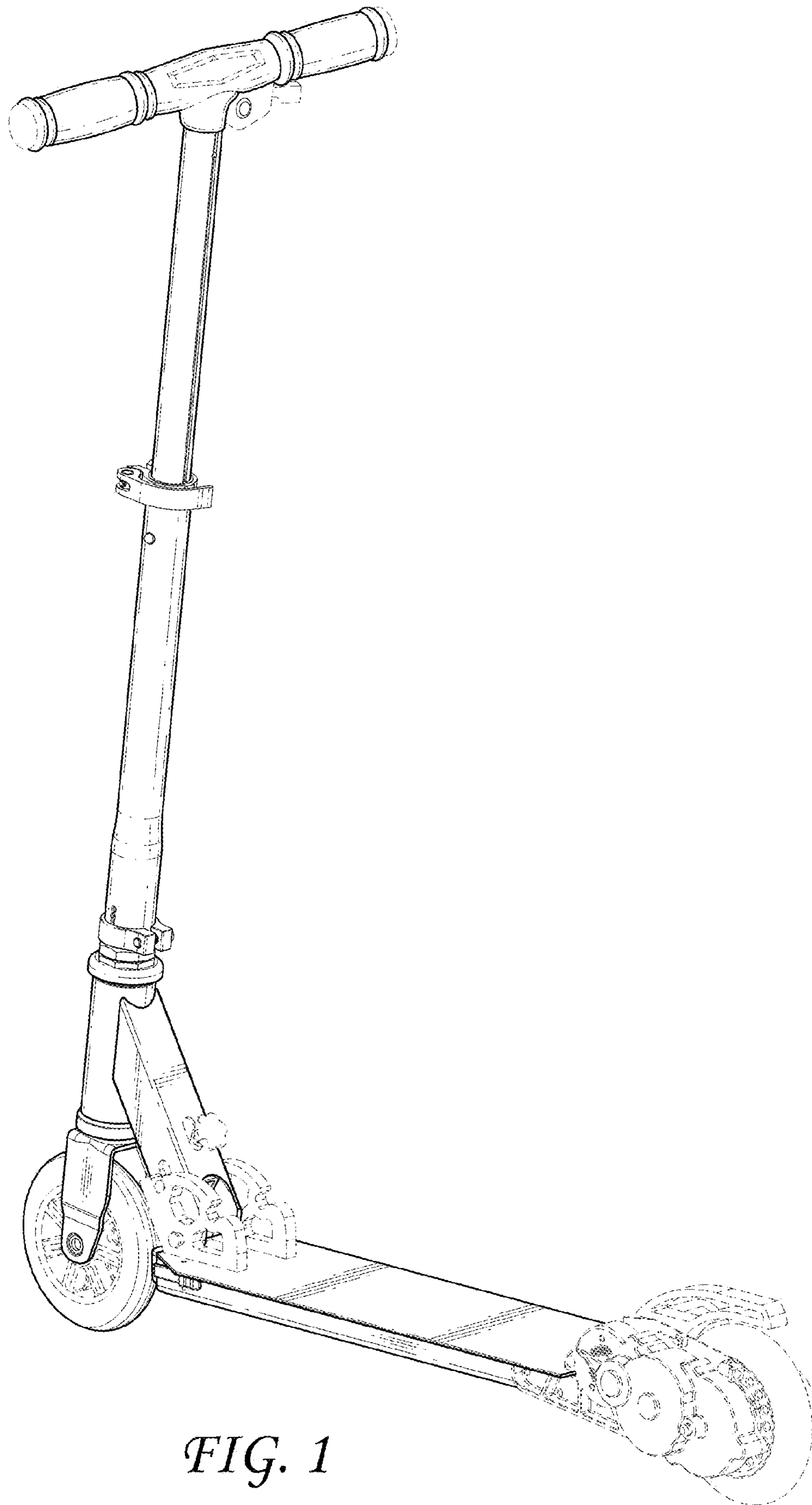


FIG. 1

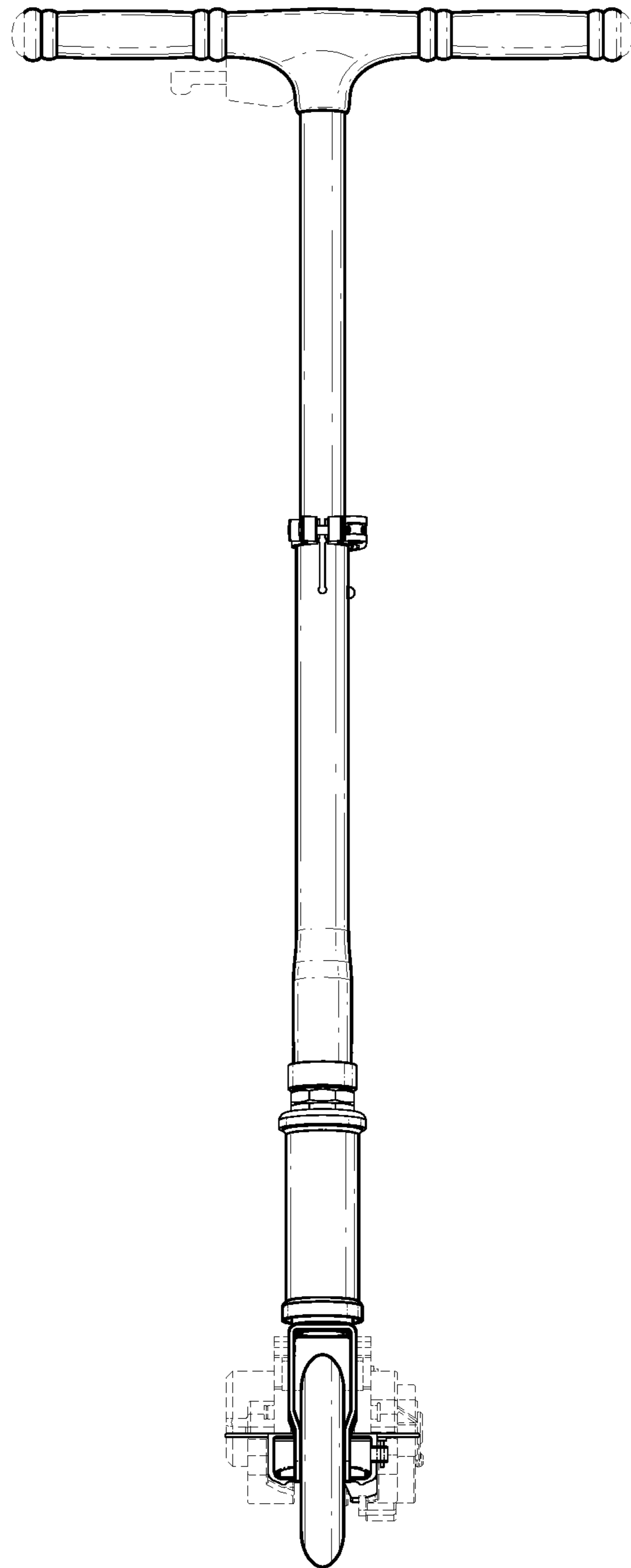


FIG. 2

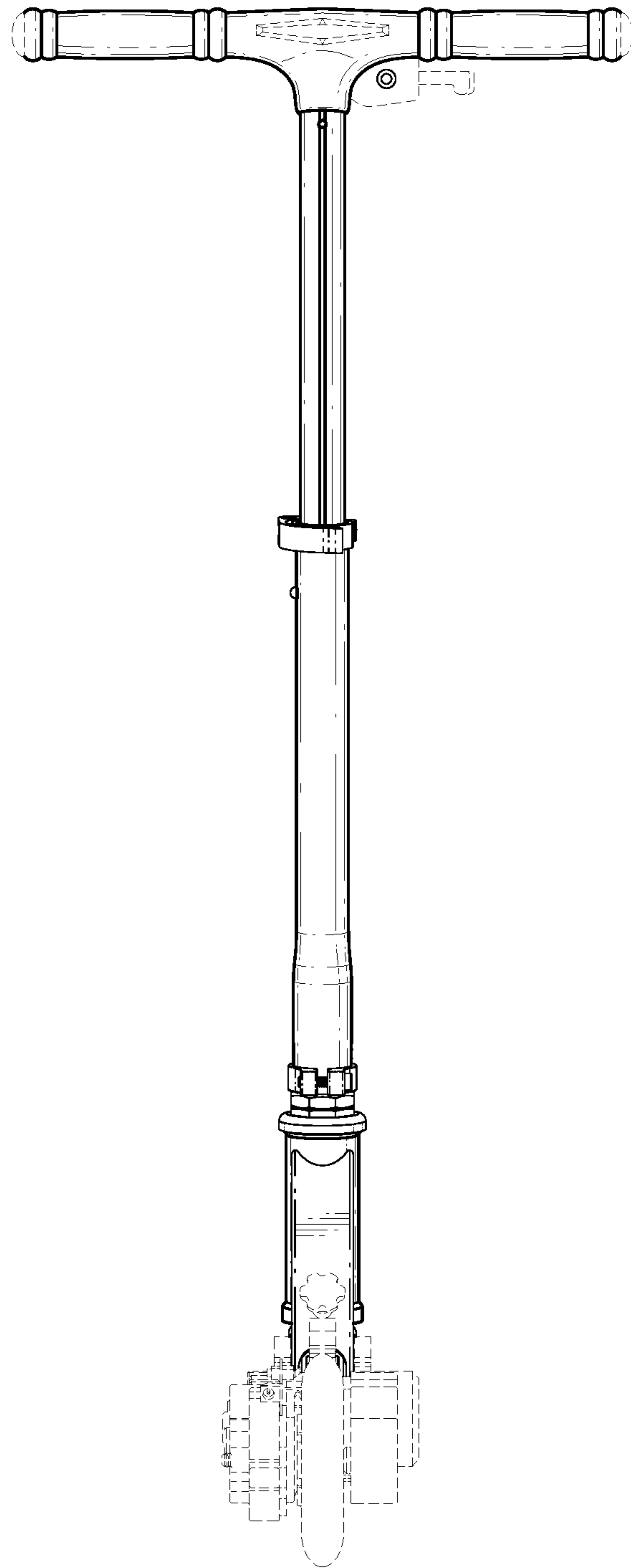


FIG. 3

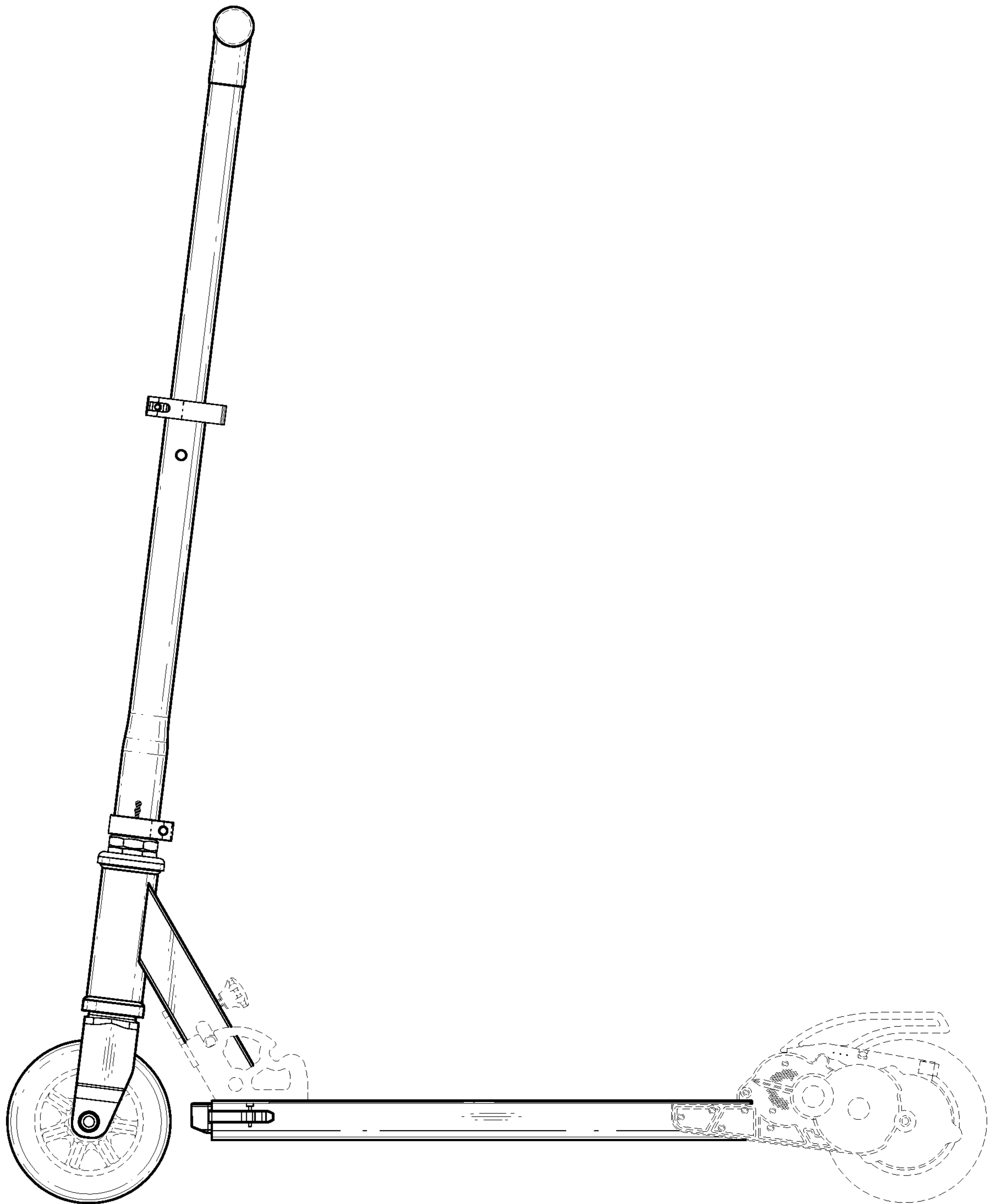


FIG. 4

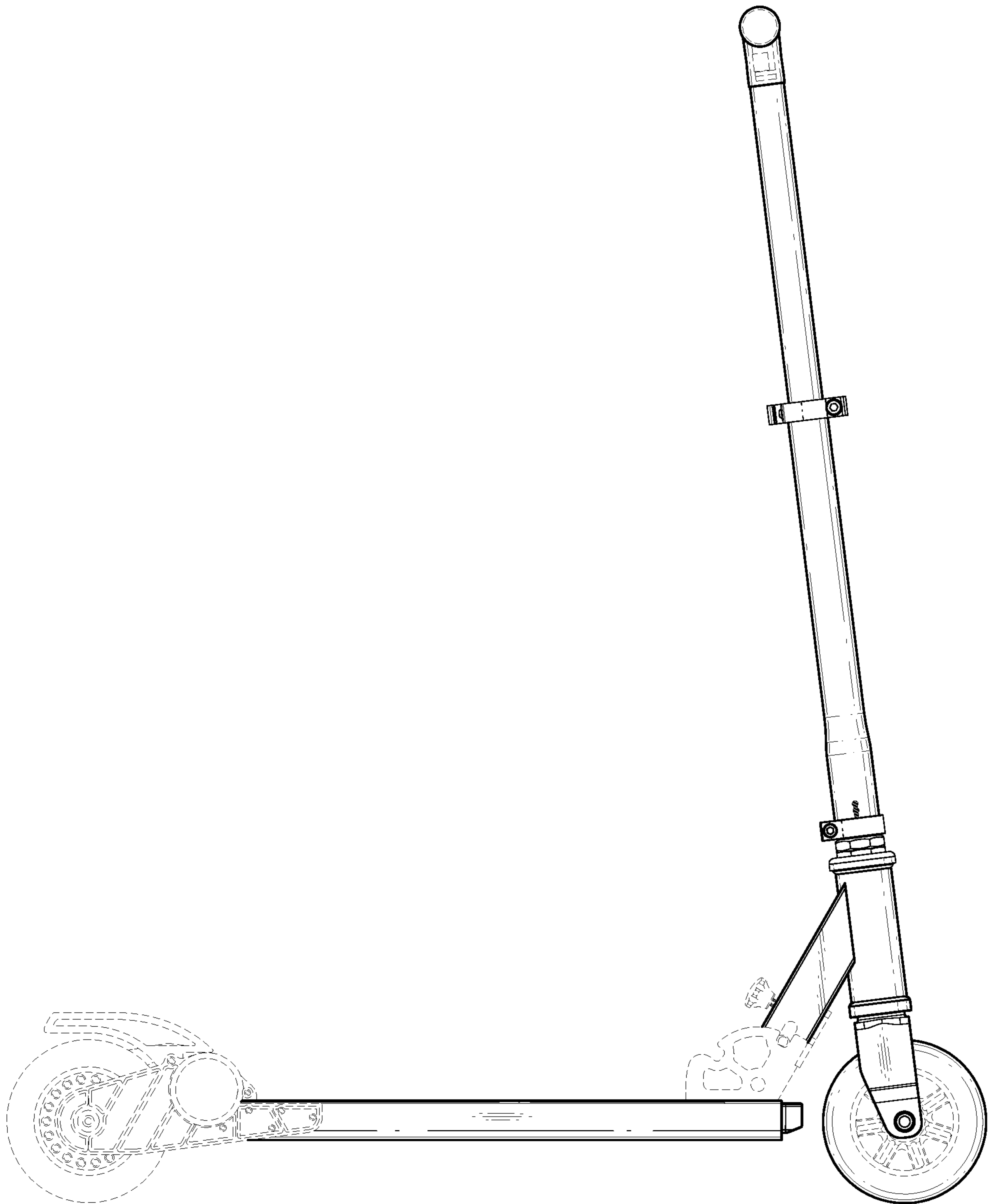


FIG. 5

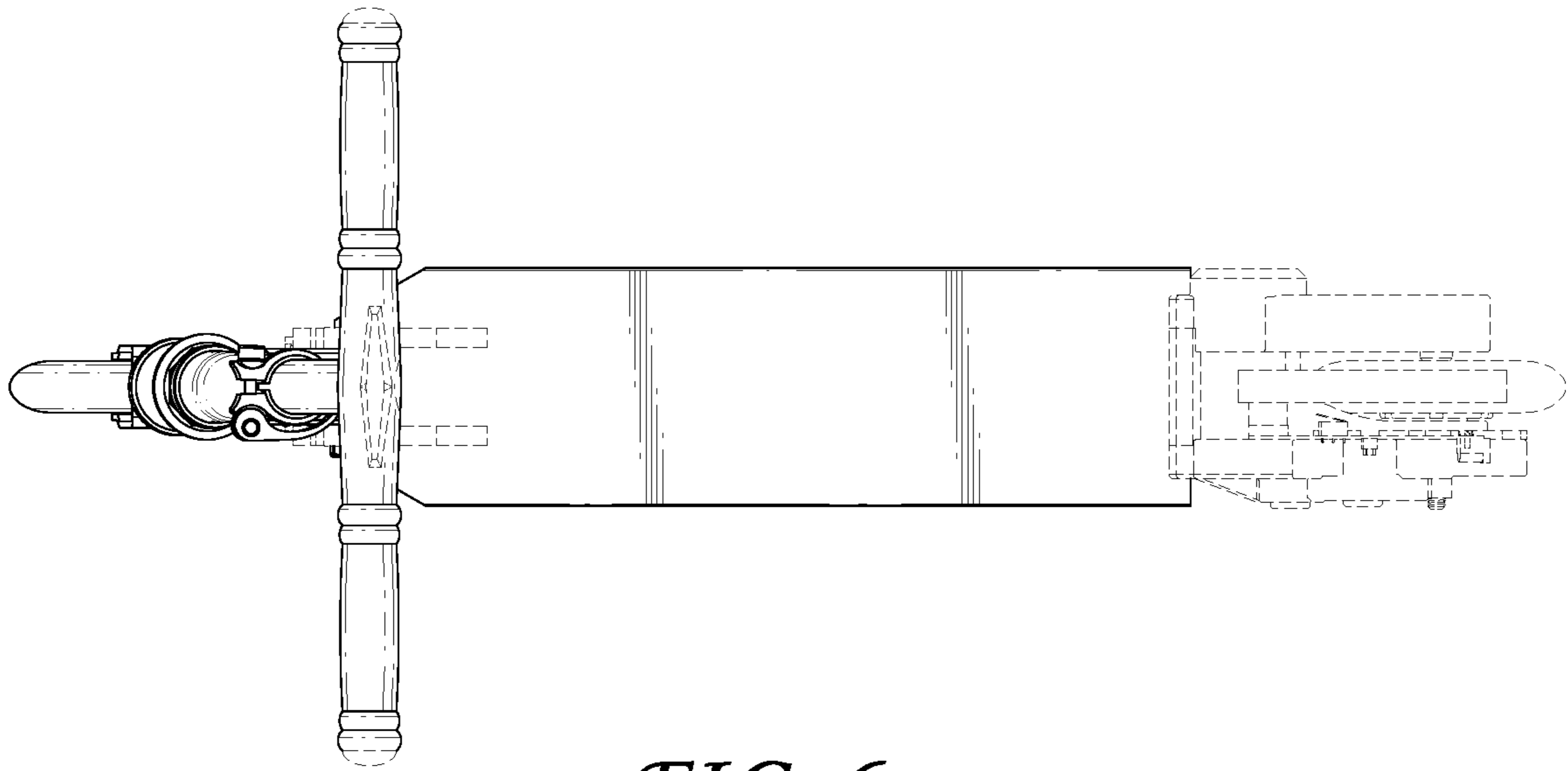


FIG. 6

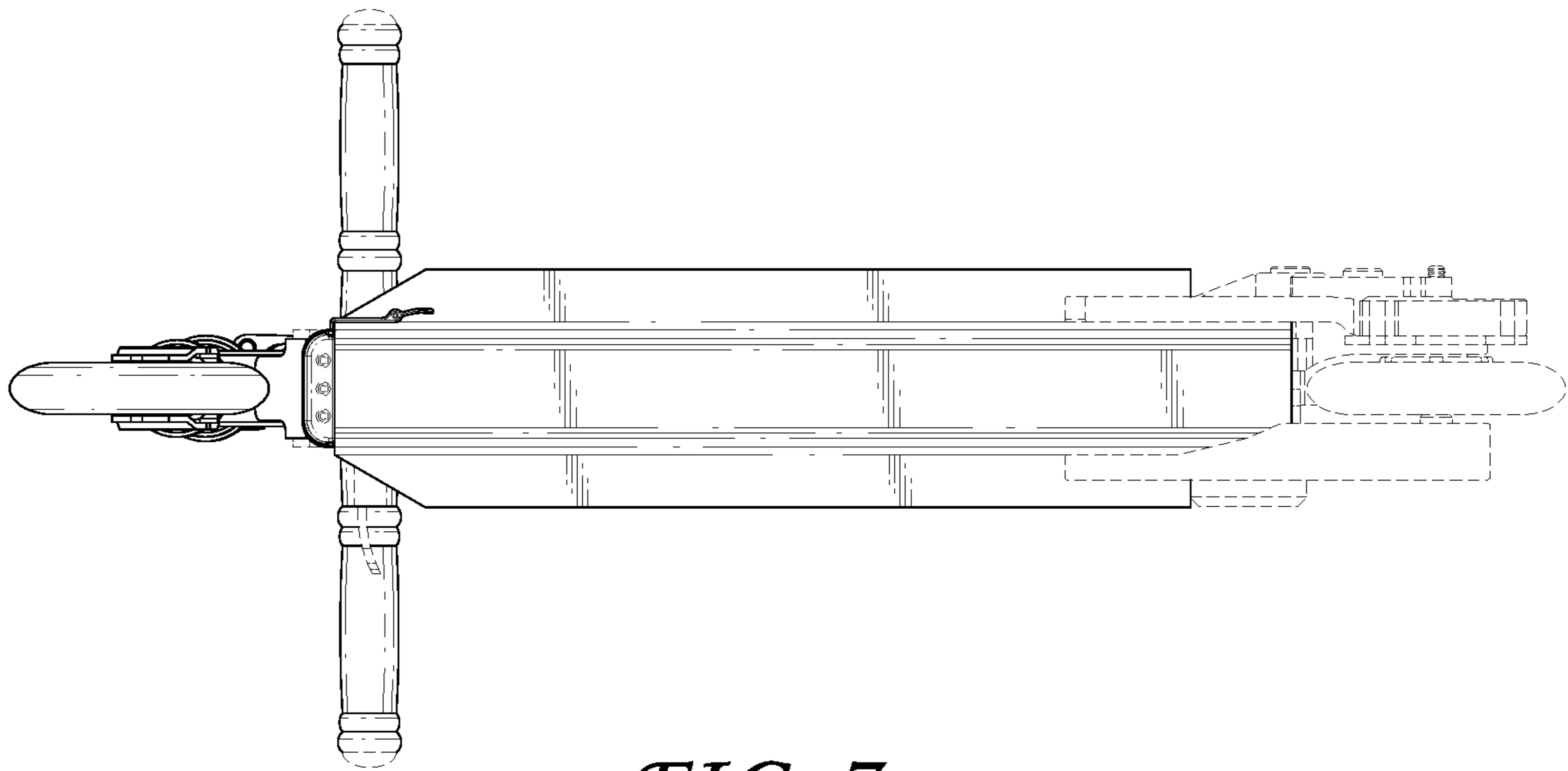


FIG. 7