



US00D873344S

(12) **United States Design Patent**
Graham

(10) **Patent No.:** **US D873,344 S**
(45) **Date of Patent:** **** Jan. 21, 2020**

(54) **BINDER SPINE INSERT HOLDER**

FOREIGN PATENT DOCUMENTS

(71) Applicant: **LSC COMMUNICATIONS US, LLC**,
Chicago, IL (US)

CN 304784017 8/2018
JP D1268756 * 4/2006

(Continued)

(72) Inventor: **David M. Graham**, Western Springs,
IL (US)

OTHER PUBLICATIONS

(73) Assignee: **LSC Communications US, LLC**,
Chicago, IL (US)

United States Patent and Trademark Office, "Corrected notice of Allowability", issued in connection with U.S. Appl. No. 29/449,111, dated Mar. 11, 2016, 2 pages.

(Continued)

(**) Term: **15 Years**

Primary Examiner — Susan Bennett Hattan

Assistant Examiner — Lauren D McVey

(21) Appl. No.: **29/692,703**

(74) *Attorney, Agent, or Firm* — Hanley, Flight and
Zimmerman, LLC

(22) Filed: **May 28, 2019**

(57) **CLAIM**

The ornamental design for a "binder spine insert holder", as shown and described in FIGS. 1-8.

Related U.S. Application Data

DESCRIPTION

(63) Continuation of application No. 29/621,126, filed on
Oct. 4, 2017, now Pat. No. Des. 849,837.

(51) **LOC (12) Cl.** **19-04**

(52) **U.S. Cl.**
USPC **D19/32**

(58) **Field of Classification Search**
USPC ... D19/26, 27, 32, 33, 34, 124, 100, 86, 91;
D3/303, 227, 900, 248; D9/433, 634;
D6/626

CPC B42F 17/00; B42F 19/00; B42F 21/00;
B42F 21/02; B42F 23/00; B42F 15/0011;
B42F 15/0017; B42F 15/0023; B42F
(Continued)

FIG. 1 is a rear perspective view of a binder spine insert holder.

FIG. 2 is a front perspective view of the binder spine insert holder of FIG. 1.

FIG. 3 is a front view of the binder spine insert holder of FIG. 1.

FIG. 4 is a rear view of the binder spine insert holder of FIG. 1.

FIG. 5 is a bottom view of the binder spine insert holder of FIG. 1.

FIG. 6 is a top view of the binder spine insert holder of FIG. 1.

FIG. 7 is a left side view of the binder spine insert holder of FIG. 1; and,

FIG. 8 is a right side view of the binder spine insert holder of FIG. 1.

The broken lines depict environment and form no part of the claimed design.

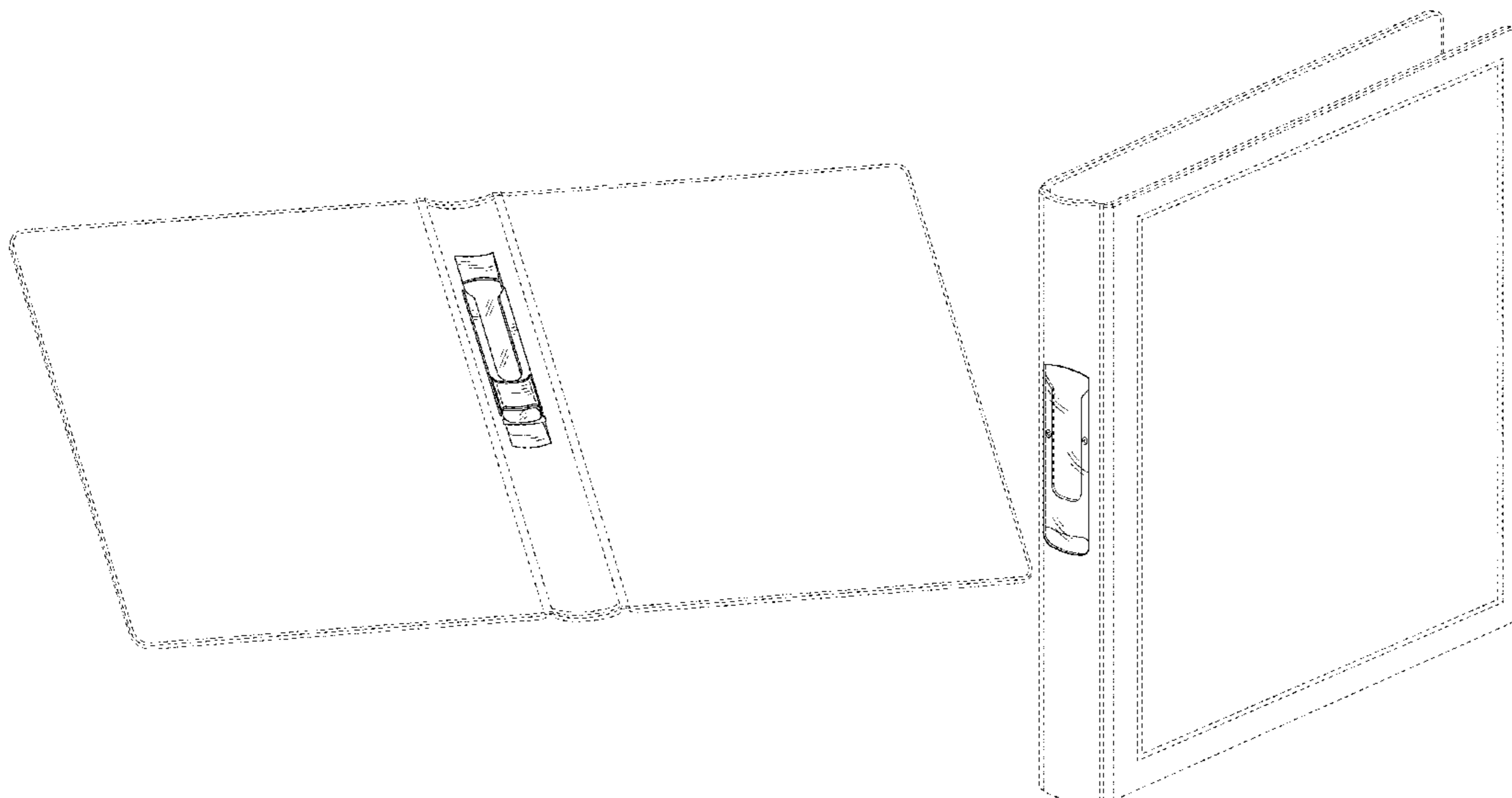
(56) **References Cited**

U.S. PATENT DOCUMENTS

1,601,032 A 9/1926 McMillan
1,677,277 A * 7/1928 Federbush B42F 13/006
402/3

(Continued)

1 Claim, 5 Drawing Sheets



(58) **Field of Classification Search**

CPC 15/007; B42F 15/0082; B42F 15/0088;
 B42F 15/0094; B42F 13/02; B42F 13/04;
 B42F 13/06; B42F 13/08; B42F 13/10;
 B42F 13/14; B42F 13/65; B42F 3/06;
 G09F 5/00; G09F 5/02; G09F 5/04; G09F
 2005/041; G09F 5/042; B42B 5/12; B42B
 5/123; B42B 5/126; B42C 7/00; B42C
 7/01; B42C 7/02; B42C 7/03; B42C 7/04;
 B42C 7/05; B42C 7/06; B42C 7/07;
 B42C 7/08; B42C 7/09

See application file for complete search history.

(56) **References Cited**

U.S. PATENT DOCUMENTS

1,845,445	A	2/1932	Schlichting	
1,848,980	A	3/1932	Walker	
1,865,741	A	7/1932	Carney	
2,846,795	A	8/1958	Balaban	
2,852,275	A *	9/1958	Brook B42F 13/0053 281/31
D196,099	S	8/1963	Sibley et al.	
3,186,114	A	6/1965	Carter	
D201,663	S	7/1965	Bifaro	
4,294,558	A	10/1981	Errichiello	
D316,108	S	4/1991	Gerriet	
5,209,593	A	5/1993	Ros	
D354,768	S	1/1995	Muller et al.	
D412,530	S	8/1999	Bould	
5,971,650	A	10/1999	Dottel	
6,019,540	A *	2/2000	Senior B42F 21/00 281/15.1
6,196,591	B1	3/2001	Lieth	
6,368,005	B1 *	4/2002	Streff B42F 13/0006 281/29
6,695,518	B2	2/2004	Ruble et al.	
D504,463	S	4/2005	Wehmeyer	
6,902,340	B2	6/2005	Harris, Jr. et al.	
7,247,214	B2 *	7/2007	Chamandy G06K 19/027 156/249
7,320,554	B2	1/2008	Hough et al.	
D565,099	S	3/2008	Petrie et al.	
7,399,136	B2	7/2008	Petrie et al.	
7,717,639	B2	5/2010	Zins et al.	
D723,101	S *	2/2015	Costello D19/32
D734,817	S	7/2015	Ben-Or	
D735,270	S	7/2015	Petrie et al.	
D756,453	S	5/2016	Graham	
D776,194	S	1/2017	Petrie et al.	
D784,448	S	4/2017	Graham	
D794,118	S	8/2017	Petrie et al.	
D803,937	S *	11/2017	Petrie D19/32
D849,837	S *	5/2019	Graham D19/27
2001/0009631	A1	7/2001	Brown et al.	
2005/0053417	A1	3/2005	Yamamoto et al.	
2005/0058502	A1	3/2005	Ben-Or	
2005/0105960	A1	5/2005	Wehmeyer	
2007/0160417	A1	7/2007	Petrie et al.	
2008/0089737	A1	4/2008	Zins et al.	

2012/0294669	A1	11/2012	Wrigley
2015/0056000	A1	2/2015	Hu
2015/0104238	A1	4/2015	Le et al.

FOREIGN PATENT DOCUMENTS

JP	D1320716	*	2/2008	
JP	D1324363	*	3/2008	
KR	300433325.0001	*	2/2007	
WO	WO-2007014195	A2 *	2/2007 B42F 13/14

OTHER PUBLICATIONS

United States Patent and Trademark Office, "Notice of Allowance", issued in connection with U.S. Appl. No. 29/449,111, dated Feb. 3, 2016, 7 pages.

United States Patent and Trademark Office, "Final Office action", issued in connection with U.S. Appl. No. 29/449,111, dated Sep. 11, 2015, 8 pages.

United States Patent and Trademark Office, "Non-Final Office action", issued in connection with U.S. Appl. No. 29/449,111, dated Feb. 13, 2015, 17 pages.

United States Patent and Trademark Office, "Requirement for Restriction", issued in connection with U.S. Appl. No. 29/449,111, dated Oct. 8, 2014, 8 pages.

Canadian Intellectual Property Office, "Examiner's Report," issued in connection with Canadian Patent Application No. 152910, dated Sep. 3, 2014, 2 pages.

Canadian Intellectual Property Office, "Examiner's Report," issued in connection with Canadian Patent Application No. 157884, dated Sep. 3, 2014, 1 page.

Canadian Intellectual Property Office "Examiner's Report", issued in connection with Canadian Patent Application No. 152910, dated Apr. 2, 2014, 3 pages.

United States Patent and Trademark Office, "Notice of Allowance", issued in connection with U.S. Appl. No. 29/449,106, dated Oct. 13, 2016, 25 pages.

United States Patent and Trademark Office, "Final Office action", issued in connection with U.S. Appl. No. 29/449,106, dated Aug. 25, 2016, 6 pages.

United States Patent and Trademark Office, "Non-Final Office action", issued in connection with U.S. Appl. No. 29/449,106, dated Feb. 1, 2016, 13 pages.

United States Patent and Trademark Office, "Advisory action", issued in connection with U.S. Appl. No. 29/449,106, dated Aug. 28, 2015, 4 pages.

United States Patent and Trademark Office, "Non-Final Office action", issued in connection with U.S. Appl. No. 29/449,106, dated Nov. 7, 2014, 20 pages.

Canadian Intellectual Property Office "Examiner's Report" issued in connection with Canadian Patent Application No. 152909, dated Mar. 31, 2014, 2 pages.

United States Patent and Trademark Office, "Final Office action", issued in connection with U.S. Appl. No. 29/449,106, dated Apr. 13, 2015, 8 pages.

Staples better 1.5-Inch D 3-Ring view Binder, yellow (19060), Staples, retrieved on Dec. 17, 5 pages.

United States Patent and Trademark Office, "Notice of Allowance", issued in connection with U.S. Appl. No. 29/621,126, dated Dec. 31, 2018, 21 pages.

* cited by examiner

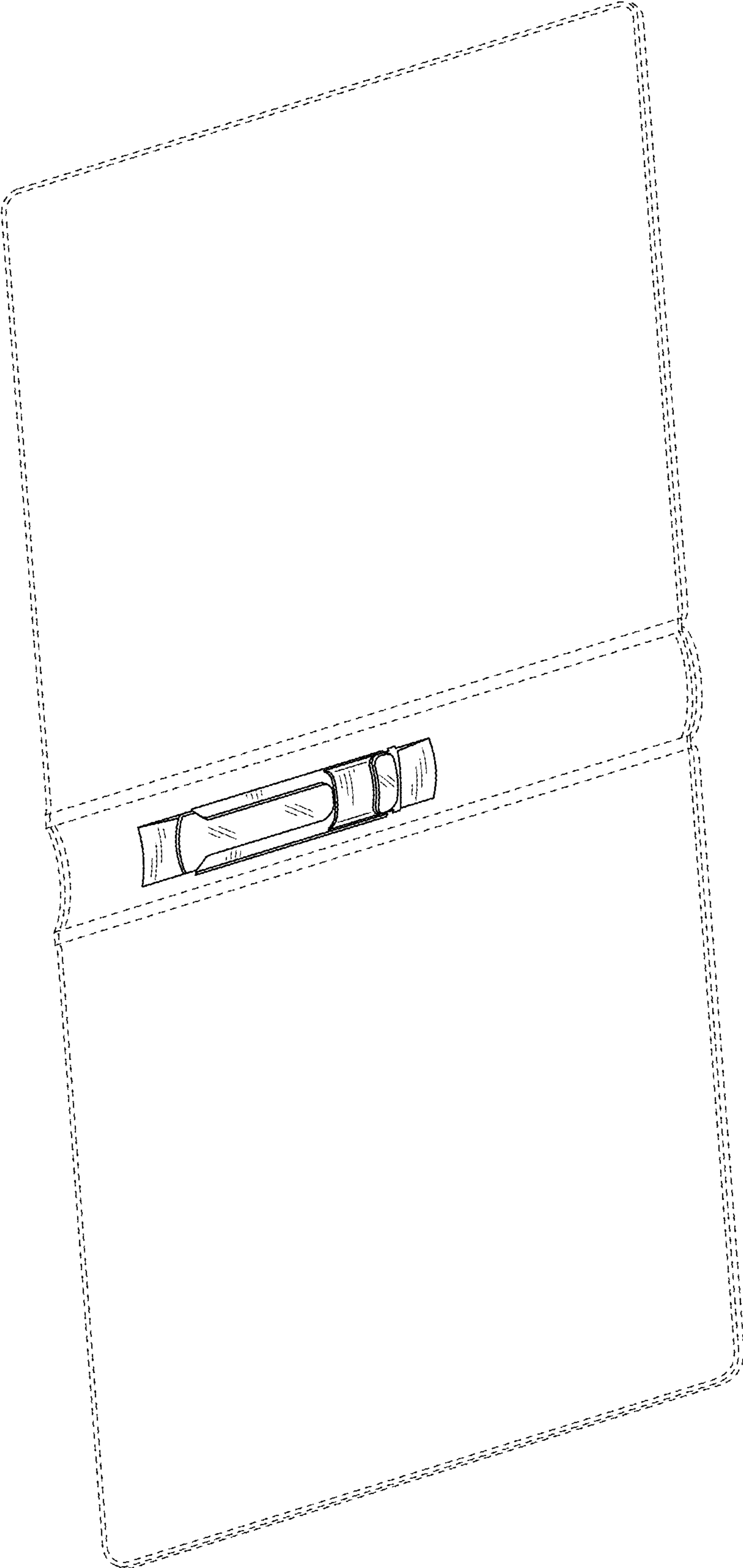


FIG. 1

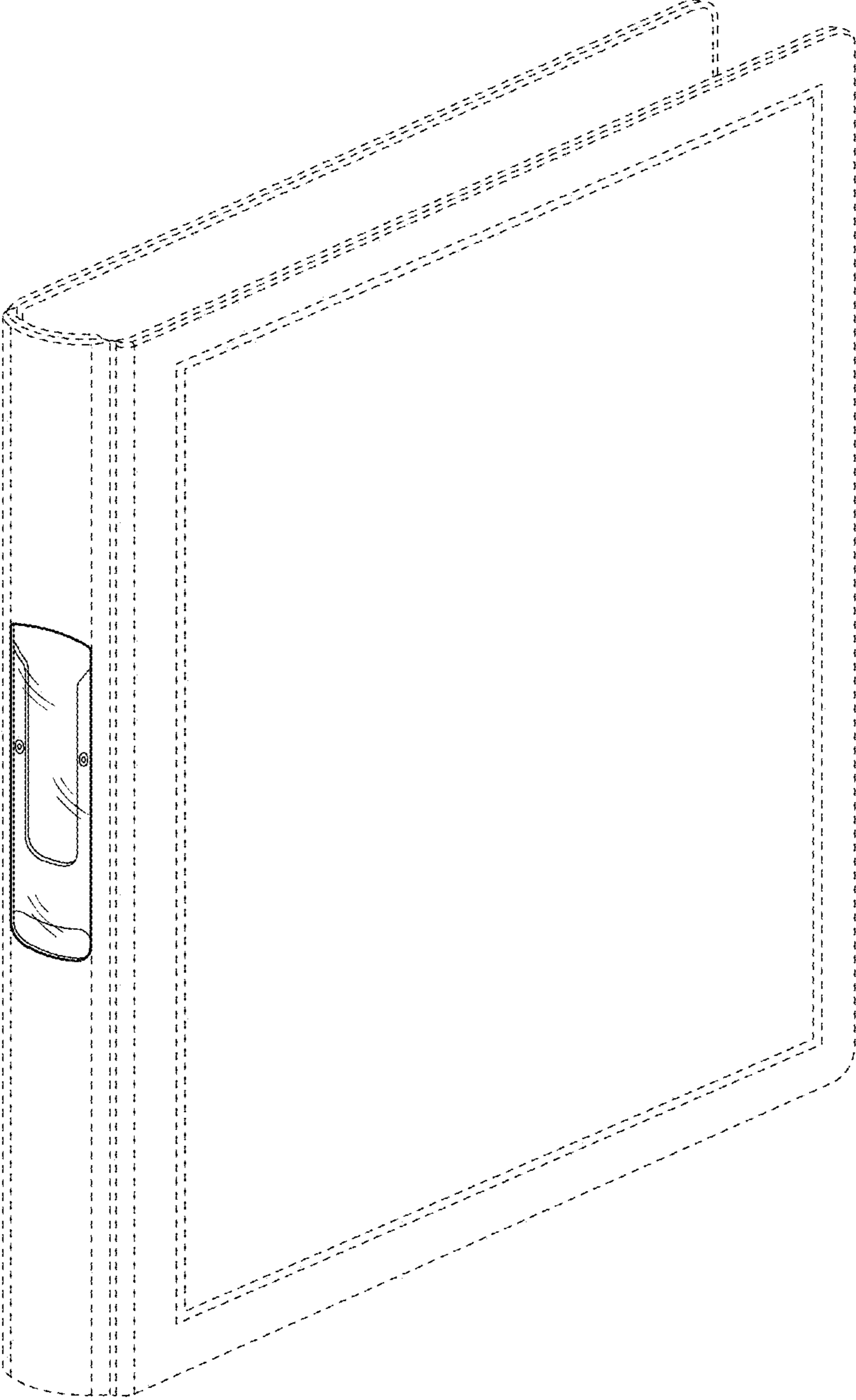


FIG. 2

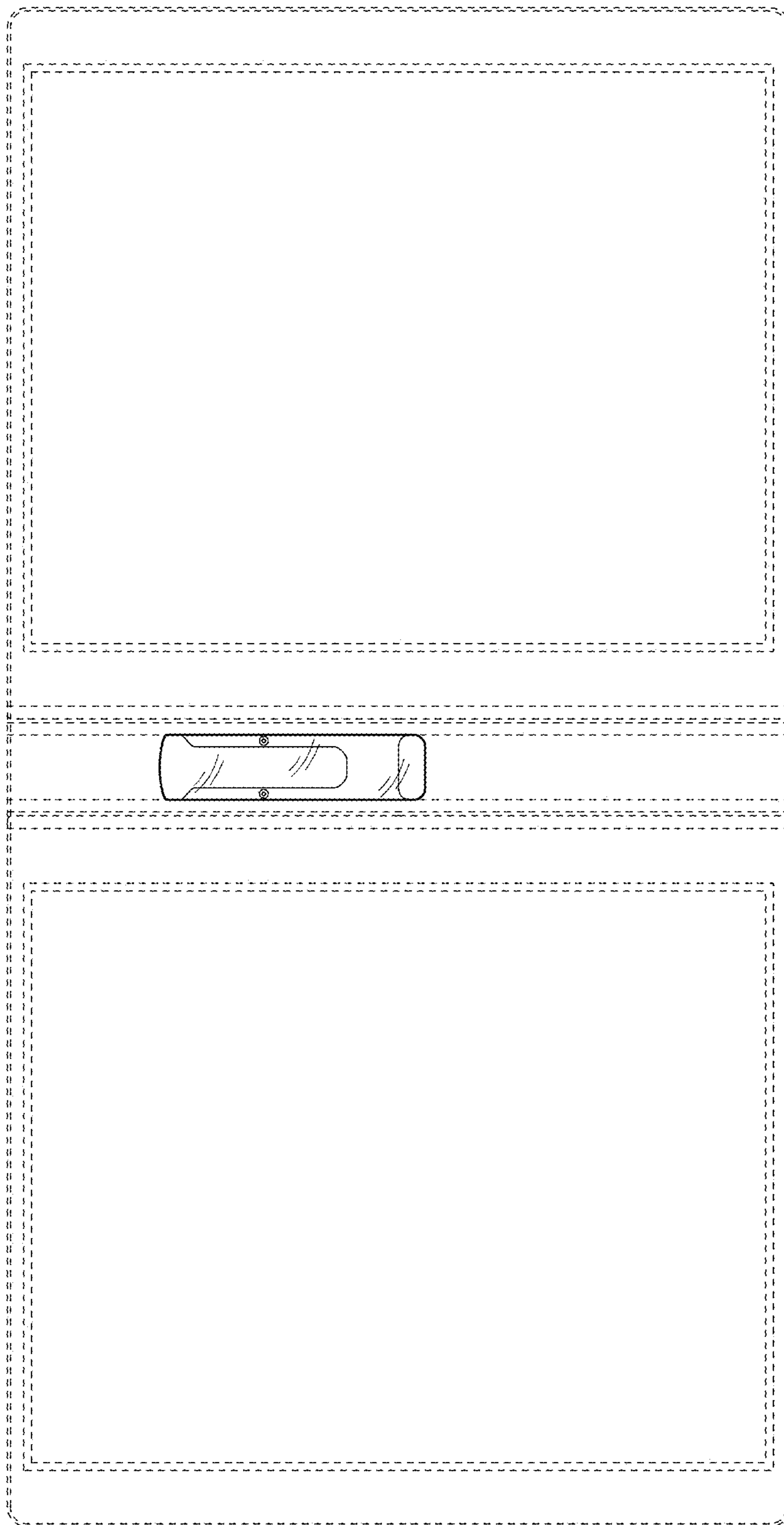


FIG. 3

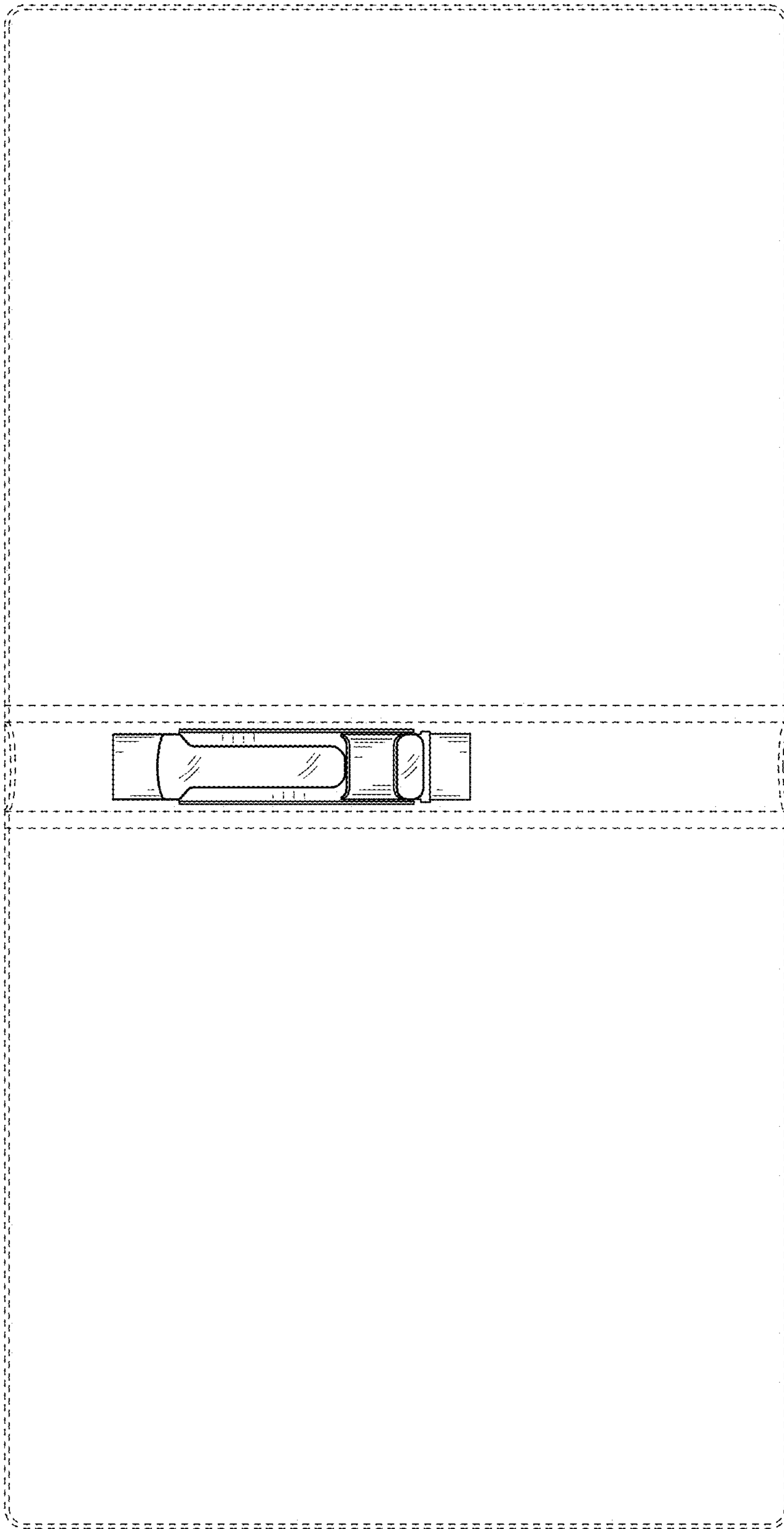


FIG. 4

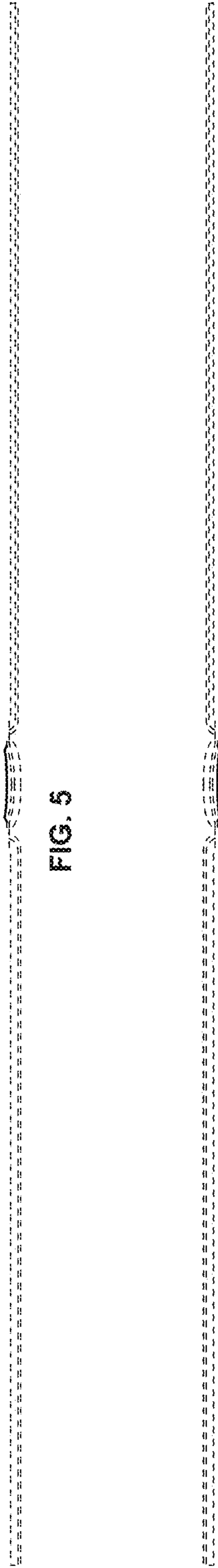


FIG. 5

FIG. 6

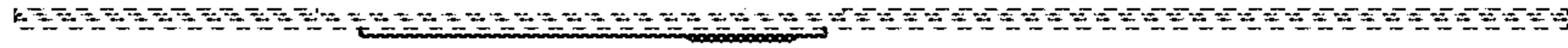


FIG. 8

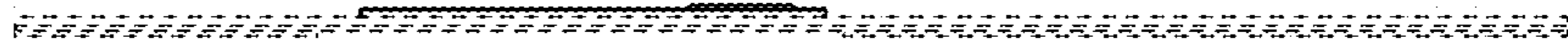


FIG. 7