

US00D873342S

(12) **United States Design Patent**  
**Yamashita**

(10) **Patent No.:** **US D873,342 S**  
(45) **Date of Patent:** **\*\* Jan. 21, 2020**

(54) **PRINTER**

D758,483 S \* 6/2016 Seki ..... D18/50  
D770,565 S \* 11/2016 Tanaka ..... D18/50  
9,771,233 B2 \* 9/2017 Miura ..... B65H 31/02

(Continued)

(71) Applicant: **SEIKO EPSON CORPORATION,**  
Tokyo (JP)

(72) Inventor: **Yusuke Yamashita,** Matsumoto (JP)

(73) Assignee: **SEIKO EPSON CORPORATION,**  
Tokyo (JP)

(\*\*) Term: **15 Years**

(21) Appl. No.: **29/648,957**

(22) Filed: **May 25, 2018**

(30) **Foreign Application Priority Data**

Dec. 6, 2017 (JP) ..... 2017-027279

(51) **LOC (12) Cl.** ..... **14-02**

(52) **U.S. Cl.**  
USPC ..... **D18/50**

(58) **Field of Classification Search**  
USPC ..... D18/59, 55, 50, 53, 54, 56, 36, 37, 38,  
D18/39, 40, 41, 45, 49; D14/121, 301,  
D14/307

CPC ..... H04N 1/00204; H04N 1/00249; H04N  
1/00278; G06K 15/12; G06K 15/14; B41J  
3/00; B41J 3/28; B41J 3/445; B41J 3/46  
See application file for complete search history.

(56) **References Cited**

**U.S. PATENT DOCUMENTS**

D667,051 S \* 9/2012 Sato ..... D18/50  
D675,673 S \* 2/2013 Sato ..... D18/50  
D726,728 S \* 4/2015 Seki ..... D14/421  
D727,328 S \* 4/2015 Nanno ..... D14/421  
D744,031 S \* 11/2015 Tanaka ..... D18/50  
D752,138 S \* 3/2016 Seki ..... D18/50  
D752,139 S \* 3/2016 Seki ..... D18/50  
9,332,667 B2 \* 5/2016 Namba ..... H05K 7/14

**FOREIGN PATENT DOCUMENTS**

EM 001045843-0002 \* 12/2008  
JP 1405557 S 12/2012  
JP 1497795 S 1/2016

**OTHER PUBLICATIONS**

Amazon. Link: [https://www.amazon.com/Brother-Wireless-MFC-J491DW-Multi-Function-Replenishment/dp/B07C4V4WWF/ref=sr\\_1\\_8?keywords=multifunction+prin%E2%80%A6](https://www.amazon.com/Brother-Wireless-MFC-J491DW-Multi-Function-Replenishment/dp/B07C4V4WWF/ref=sr_1_8?keywords=multifunction+prin%E2%80%A6). May 13, 2018.  
Brother Wireless All-in-One Inkjet Printer, MFC-J491 DW. (Year: 2018).\*

(Continued)

*Primary Examiner* — Susan Bennett Hattan

*Assistant Examiner* — Lauren D McVey

(57) **CLAIM**

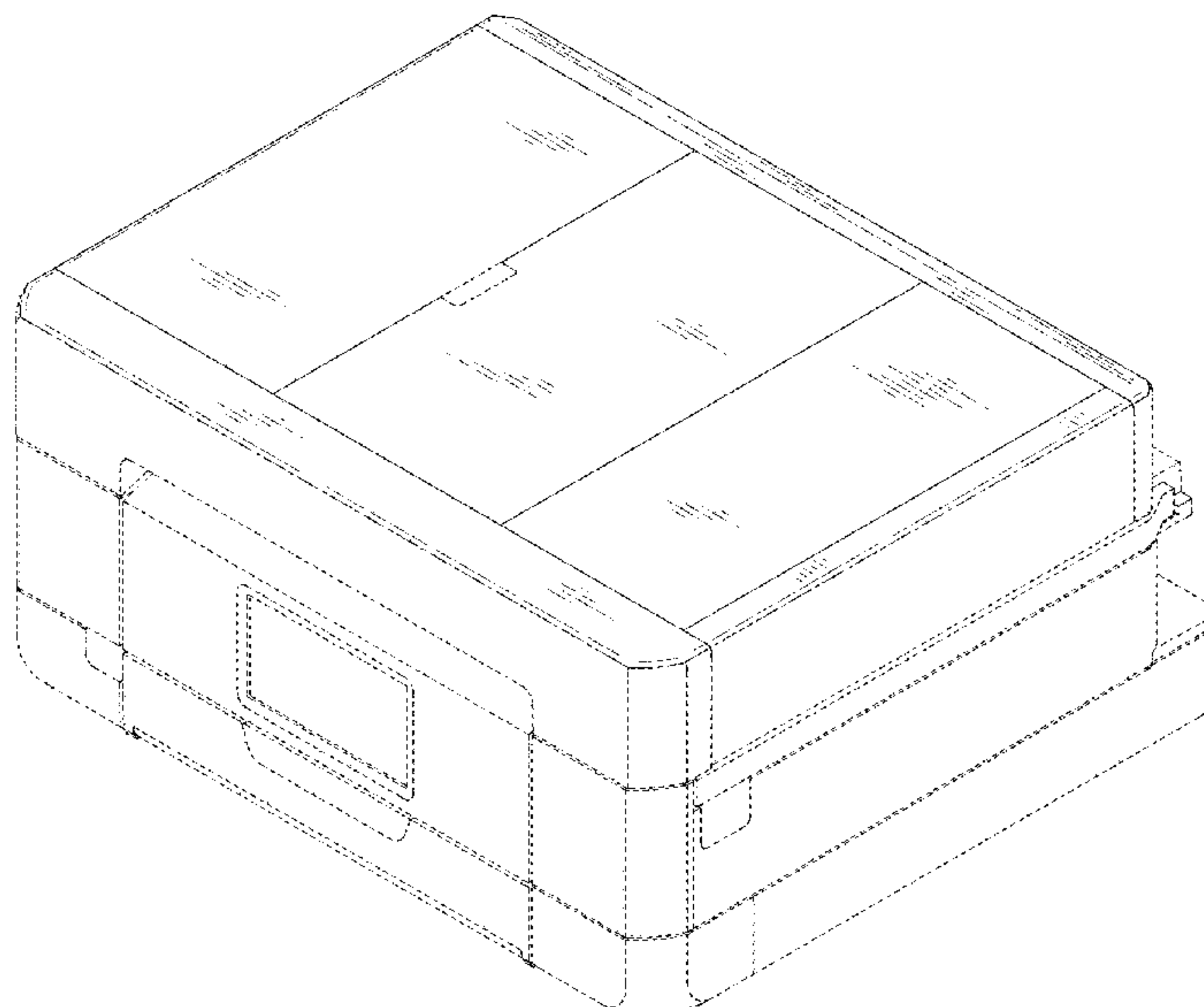
The ornamental design for a printer, as shown and described.

**DESCRIPTION**

FIG. 1 is a front, top and right side perspective view of a printer showing my new design;  
FIG. 2 is a rear, top, and left side perspective view thereof;  
FIG. 3 is a front view thereof;  
FIG. 4 is a rear view thereof;  
FIG. 5 is a top plan view thereof;  
FIG. 6 is a right side view thereof; and,  
FIG. 7 is a left side view thereof.

The dot-dash and evenly spaced broken lines that are immediately adjacent to the shaded areas depict the bounds of the claimed design, while all other broken lines are directed to environment. The broken lines form no part of the claimed design.

**1 Claim, 7 Drawing Sheets**



(56)

**References Cited**

U.S. PATENT DOCUMENTS

2015/0274448 A1\* 10/2015 Wang ..... B65H 3/0684  
271/264  
2016/0083204 A1\* 3/2016 Murodate ..... B65H 1/04  
271/264

OTHER PUBLICATIONS

WalMart. Link: <https://www.walmart.com/ip/Brother-Work-Smart-MFC-J885DW-Color-Wireless-Inkjet-All-in-One-Copy-Fax-Print-Scan/48808908>. Mar. 11, 2016. Brother Work Smart MFC-J885DW Inkjet Multifunction Printer. (Year: 2016).\*  
Japanese Office Action dated Apr. 3, 2018 dated in Japanese Patent Application No. 2017-027279.

\* cited by examiner

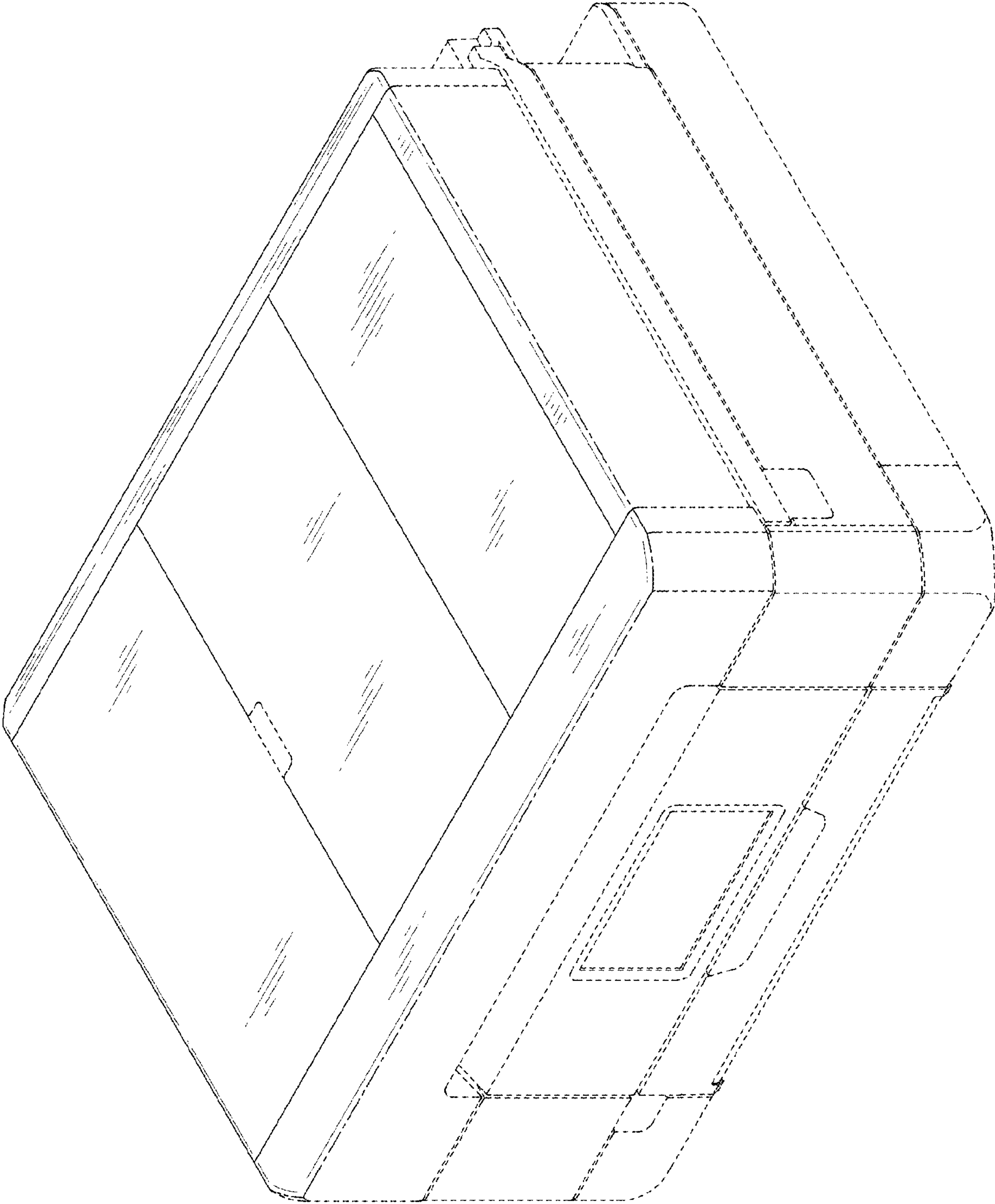


FIG.1

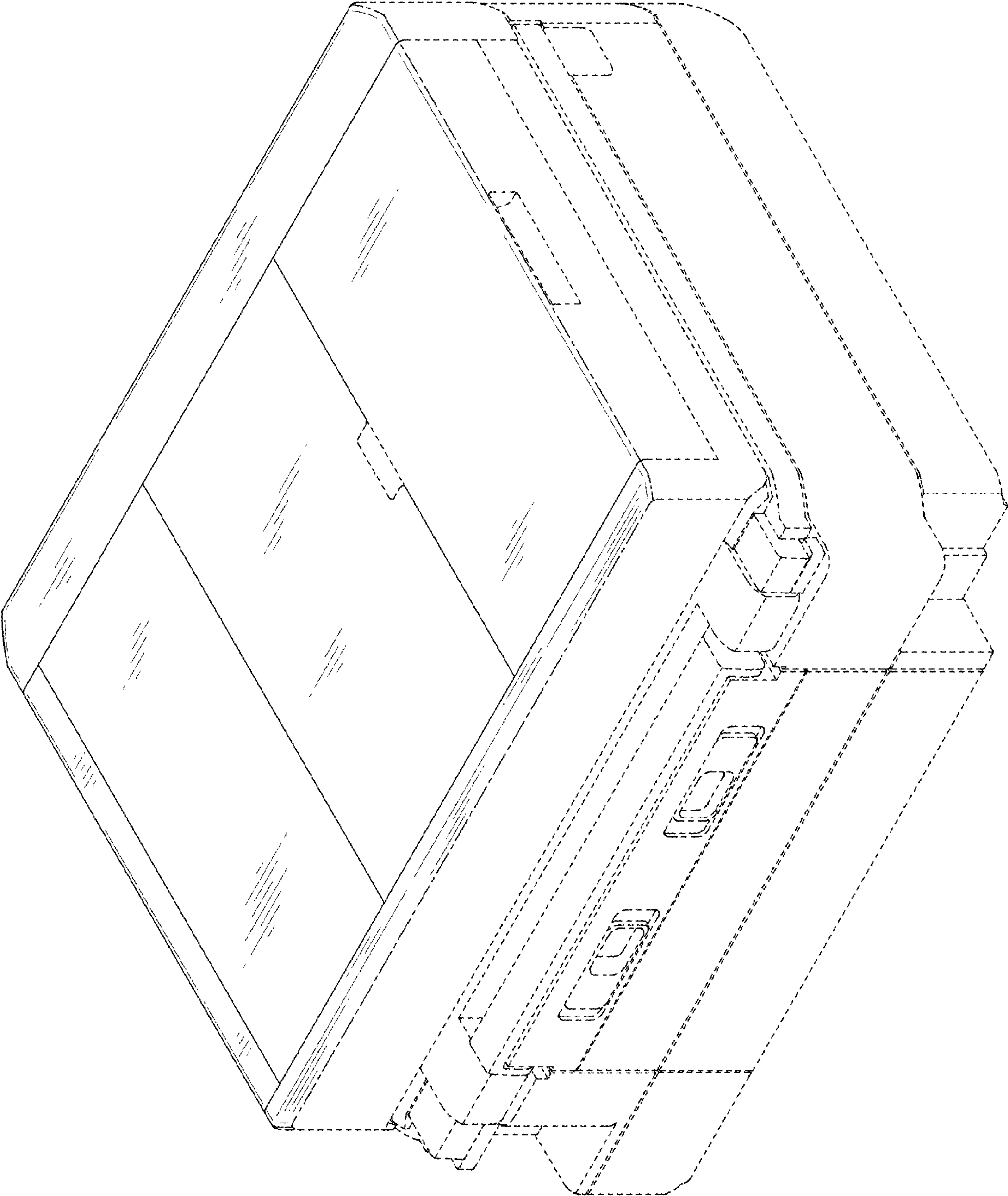


FIG.2



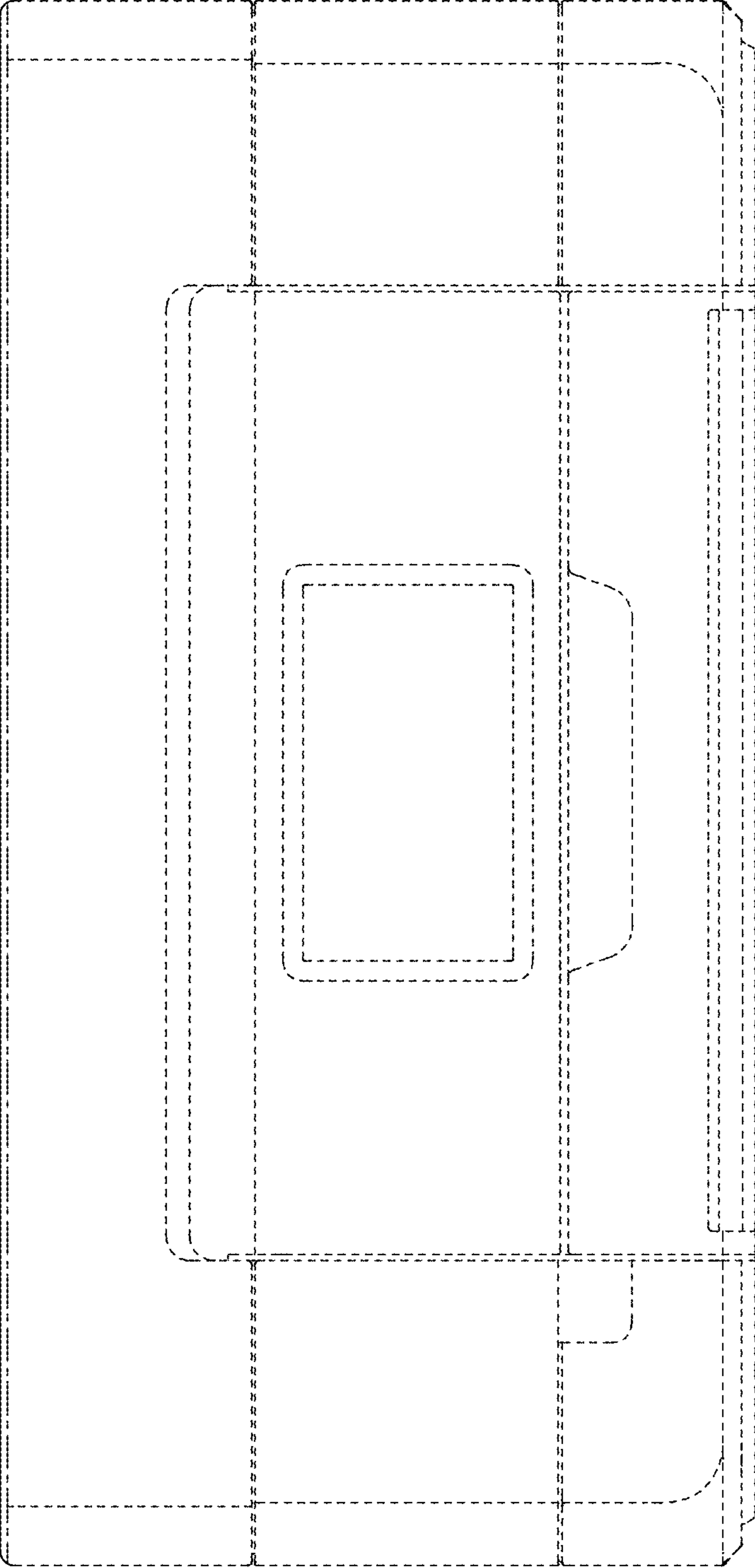


FIG.3

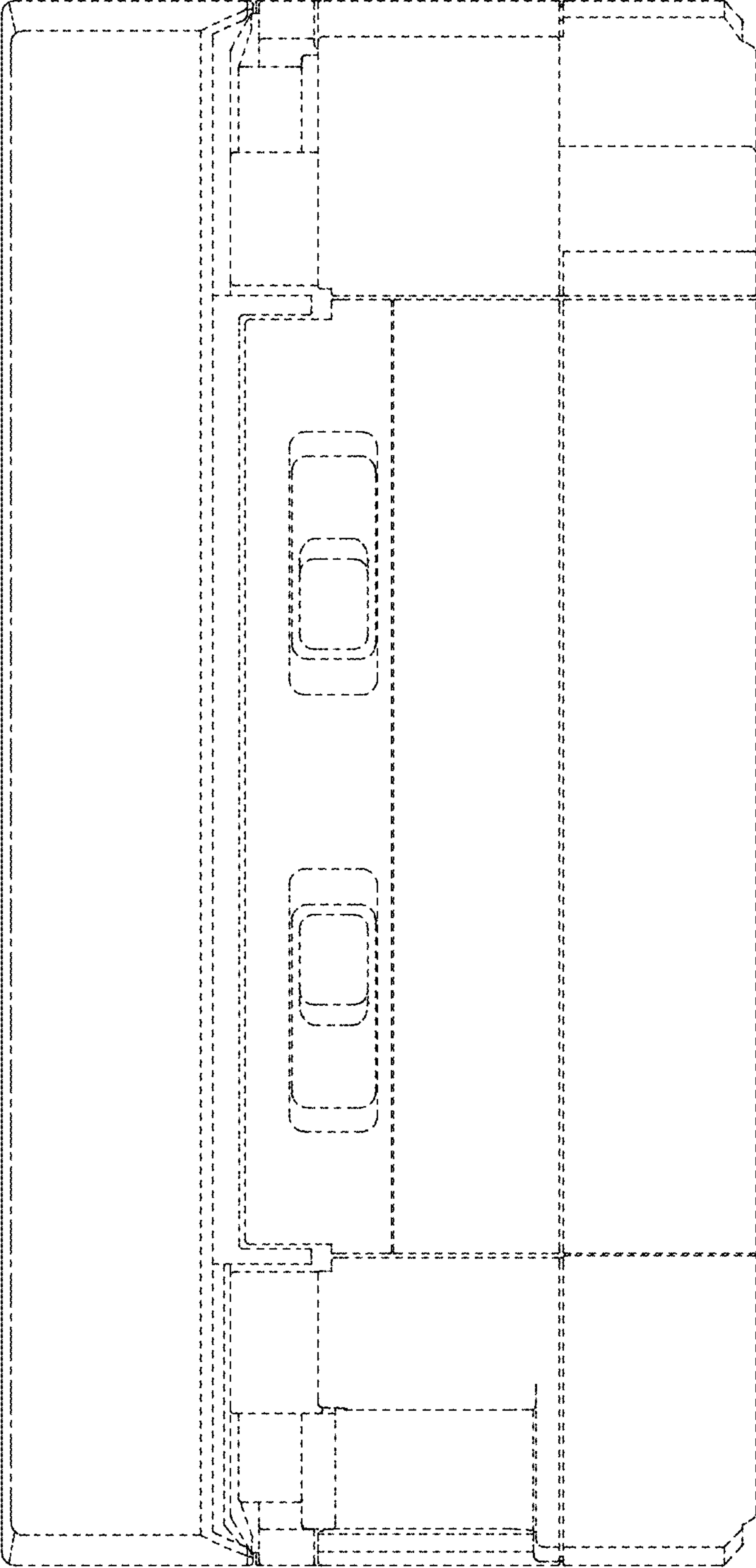


FIG.4

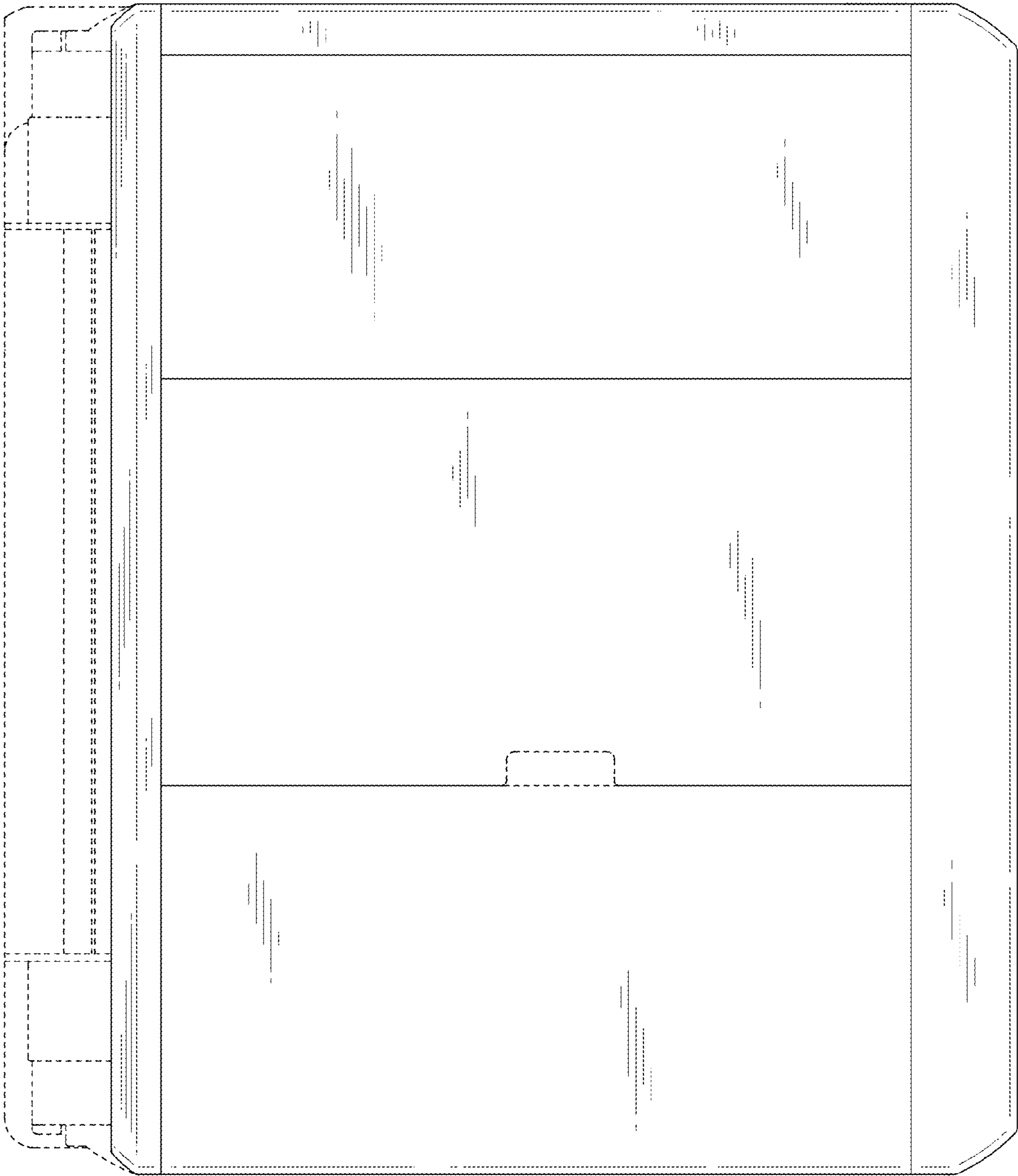


FIG.5

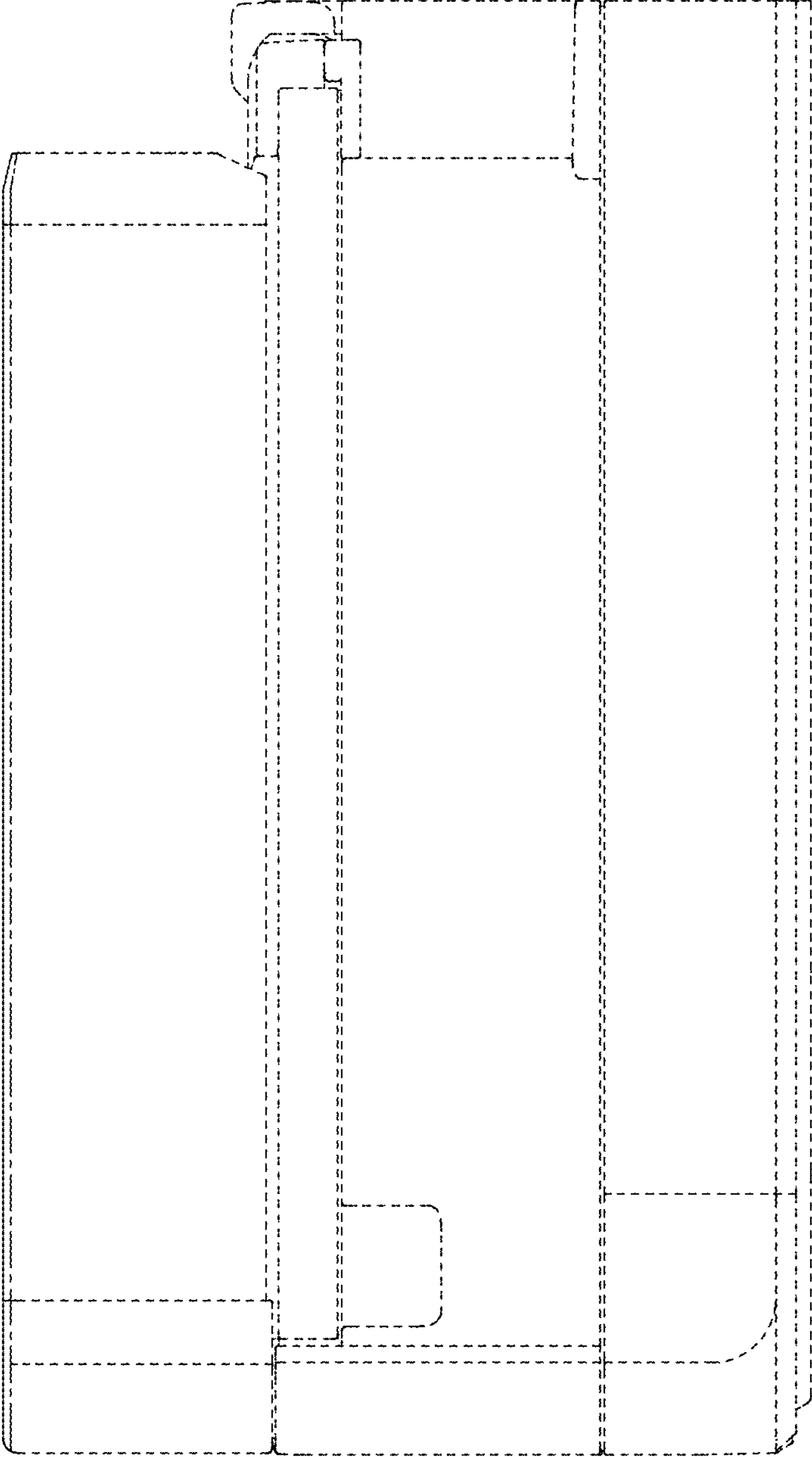


FIG.6



FIG.7

