



US00D873341S

(12) **United States Design Patent**  
**Horikawa et al.**

(10) **Patent No.:** **US D873,341 S**

(45) **Date of Patent:** **\*\* Jan. 21, 2020**

(54) **PROCESS CARTRIDGE FOR IMAGE FORMING APPARATUS**

(71) Applicant: **CANON KABUSHIKI KAISHA**,  
Tokyo (JP)

(72) Inventors: **Tadashi Horikawa**, Tokyo (JP);  
**Noriyuki Komatsu**, Tokyo (JP); **Naoki Matsumaru**, Tokyo (JP); **Ryuta Murakami**, Tokyo (JP); **Daisuke Makiguchi**, Tokyo (JP); **Akihiro Fujiwara**, Tokyo (JP); **Naoki Maeda**, Tokyo (JP); **Go Torii**, Tokyo (JP)

(73) Assignee: **Canon Kabushiki Kaisha**, Tokyo (JP)

(\*\*) Term: **15 Years**

(21) Appl. No.: **35/506,247**

(22) Filed: **Jun. 19, 2018**

(80) **Hague Agreement Data**

Int. Filing Date: **Jun. 19, 2018**

Int. Reg. No.: **DM/102004**

Int. Reg. Date: **Jun. 19, 2018**

Int. Reg. Pub. Date: **Dec. 21, 2018**

(30) **Foreign Application Priority Data**

Dec. 25, 2017 (JP) ..... 2017-028781

Dec. 25, 2017 (JP) ..... 2017-028782

(51) **LOC (12) Cl.** ..... **16-03**

(52) **U.S. Cl.**  
USPC ..... **D18/43; D18/56**

(58) **Field of Classification Search**

USPC ..... D18/18, 40, 43, 56, 99

CPC ..... G03G 15/0832; G03G 15/0834; G03G

15/0836; G03G 15/0837; G03G 15/0867;

G03G 15/0868; G03G 15/0872; G03G

15/0877; G03G 15/0898; G03G 15/50;

G03G 15/5016; G03G 15/60; G03G

15/65

See application file for complete search history.

(56) **References Cited**

U.S. PATENT DOCUMENTS

D314,579 S *	2/1991	Maxwell	.....	D15/80
D557,716 S *	12/2007	Okuda	.....	D15/80
D591,336 S *	4/2009	Kurenuma	.....	D18/43
D653,682 S *	2/2012	Herning	.....	D15/80
D698,387 S *	1/2014	Kubota	.....	D18/43
D711,944 S *	8/2014	Yang	.....	D15/90
D713,666 S *	9/2014	Van Baelen	.....	D7/306
D714,847 S *	10/2014	Broen	.....	D15/89

(Continued)

*Primary Examiner* — Khawaja Anwar

(74) *Attorney, Agent, or Firm* — Venable LLP

(57) **CLAIM**

The ornamental design for process cartridge for image forming apparatus, as shown and described.

**DESCRIPTION**

1.-2. Process cartridges for image forming apparatus

**1.1** : Front

**1.2** : Back

**1.3** : Top

**1.4** : Bottom

**1.5** : Left

**1.6** : Right

**1.7** : Perspective

**1.8** : Perspective

**1.9** : Perspective

**2.1** : Front

**2.2** : Back

**2.3** : Top

**2.4** : Bottom

**2.5** : Left

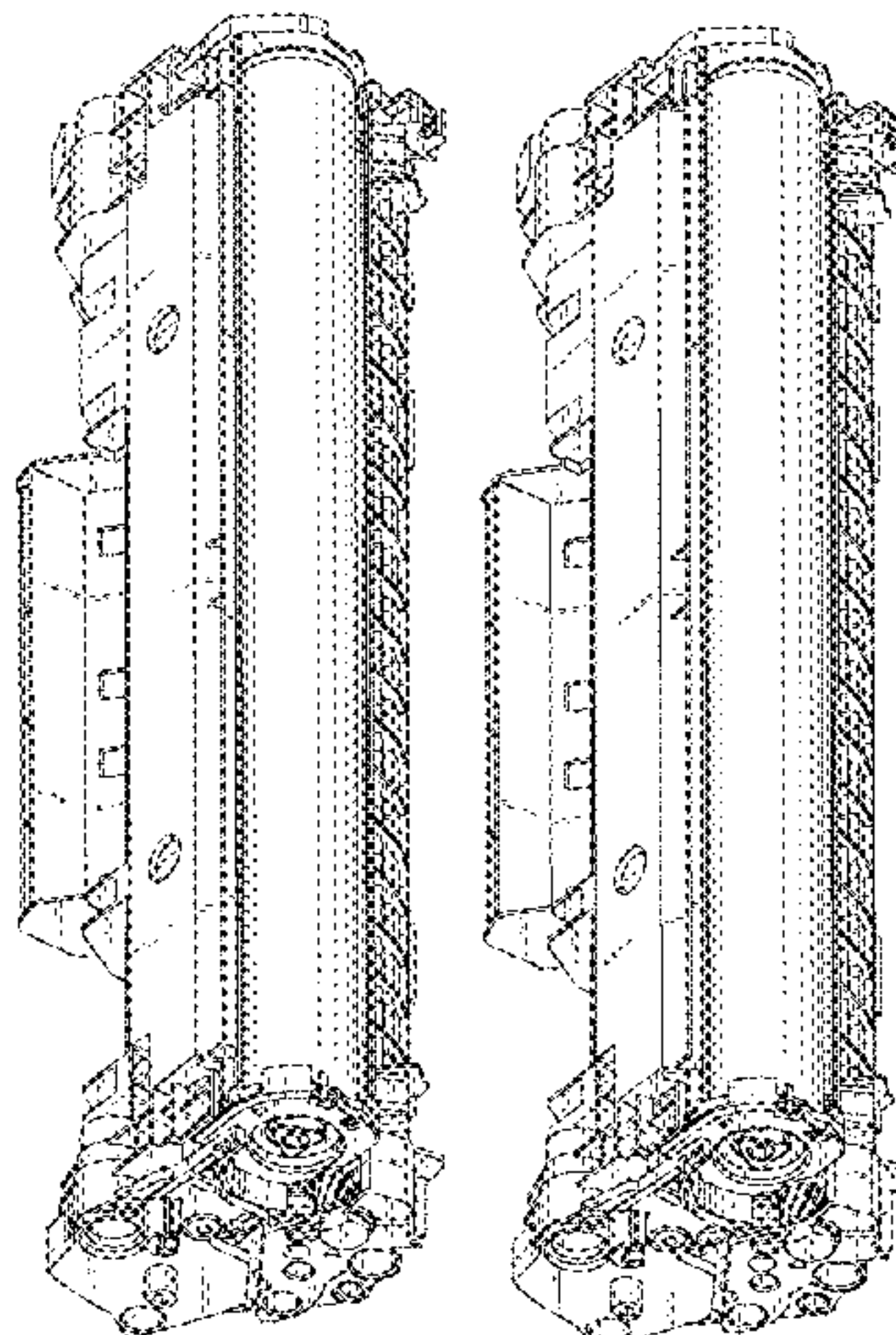
**2.6** : Right

**2.7** : Perspective

**2.8** : Perspective

**2.9** : Perspective

**1 Claim, 18 Drawing Sheets**



(56)

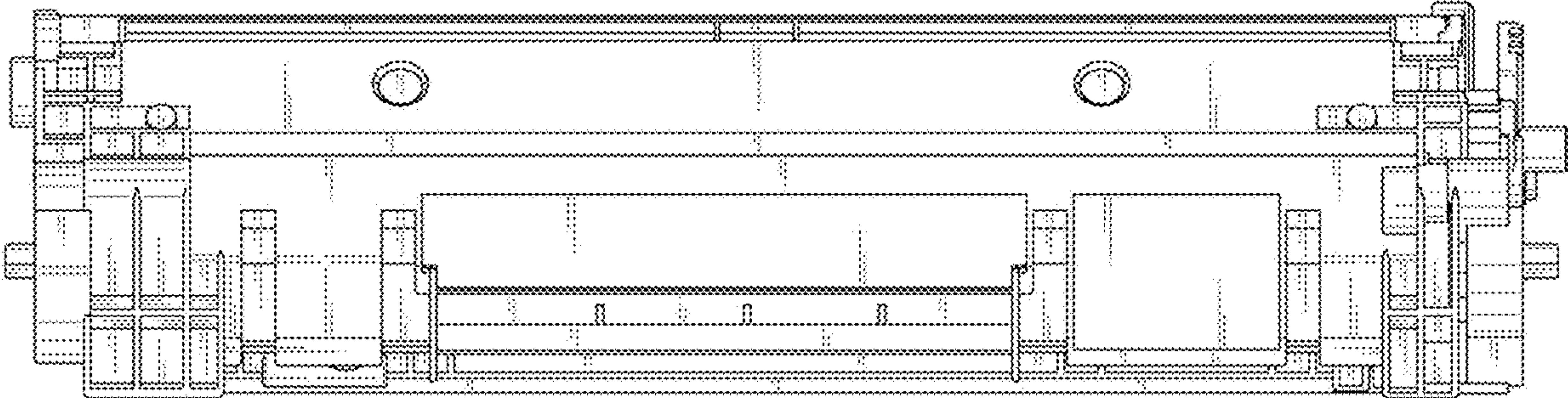
**References Cited**

U.S. PATENT DOCUMENTS

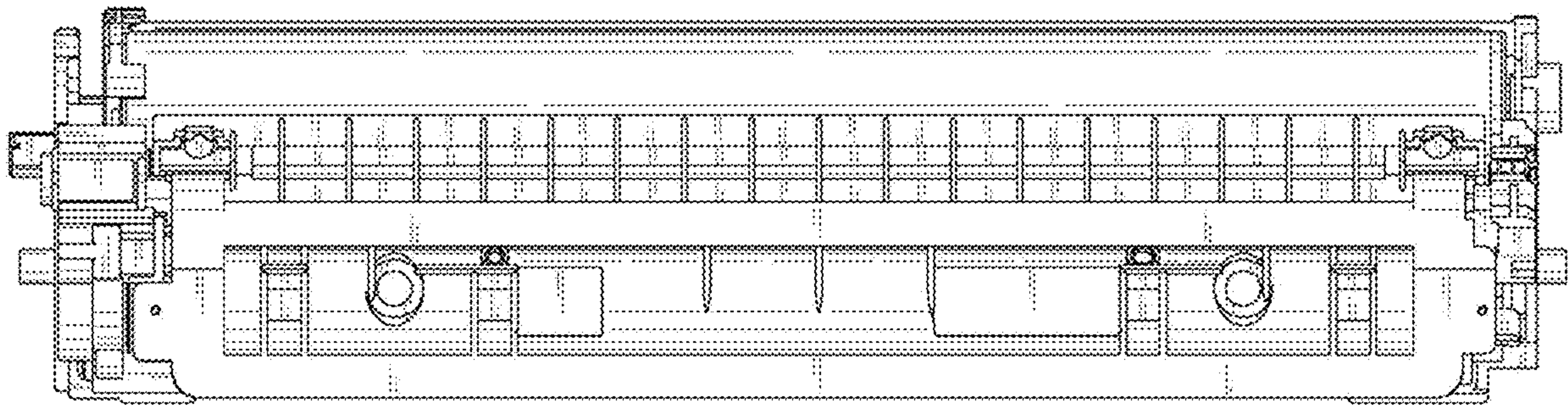
D734,371	S	*	7/2015	Lei	.....	D15/80
D745,576	S	*	12/2015	Sherman	.....	D15/80
D746,904	S	*	1/2016	Kitagawa	.....	D18/43
D746,906	S	*	1/2016	Kitagawa	.....	D18/43
D753,216	S	*	4/2016	Kikuchi	.....	D18/43
D757,173	S	*	5/2016	Ishizawa	.....	D18/56
D774,129	S	*	12/2016	Lu	.....	D18/43
D785,083	S	*	4/2017	Ahn	.....	D18/43
D788,213	S	*	5/2017	Maeshima	.....	D18/43
D790,004	S	*	6/2017	Maeshima	.....	D18/43
D790,005	S	*	6/2017	Maeshima	.....	D18/43
D798,948	S	*	10/2017	Toba	.....	D18/43
D798,949	S	*	10/2017	Toba	.....	D18/43
D830,430	S	*	10/2018	Sherman	.....	D15/80
D840,467	S	*	2/2019	Lu	.....	D18/43
D844,472	S	*	4/2019	Van Wijngaarden	.....	D10/97

\* cited by examiner

1.1

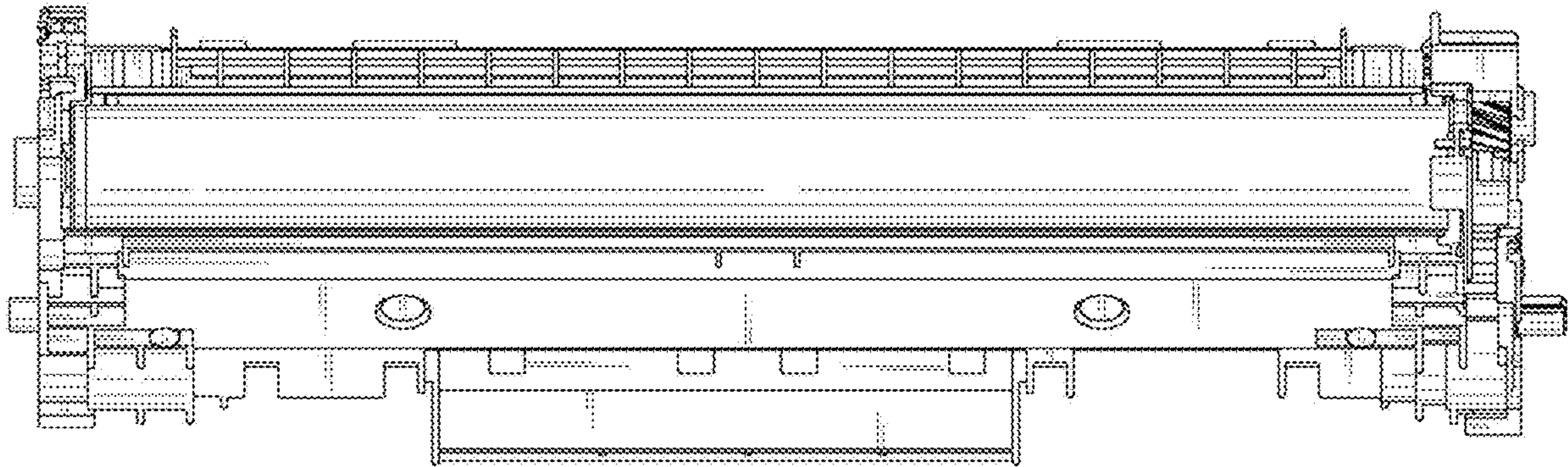


1.2

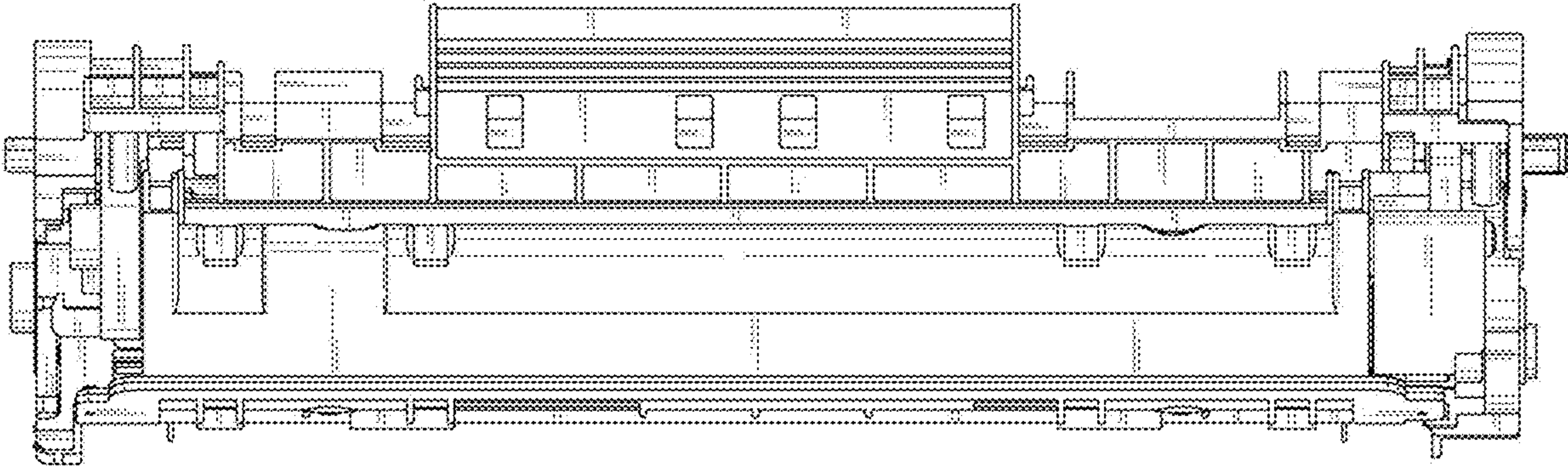




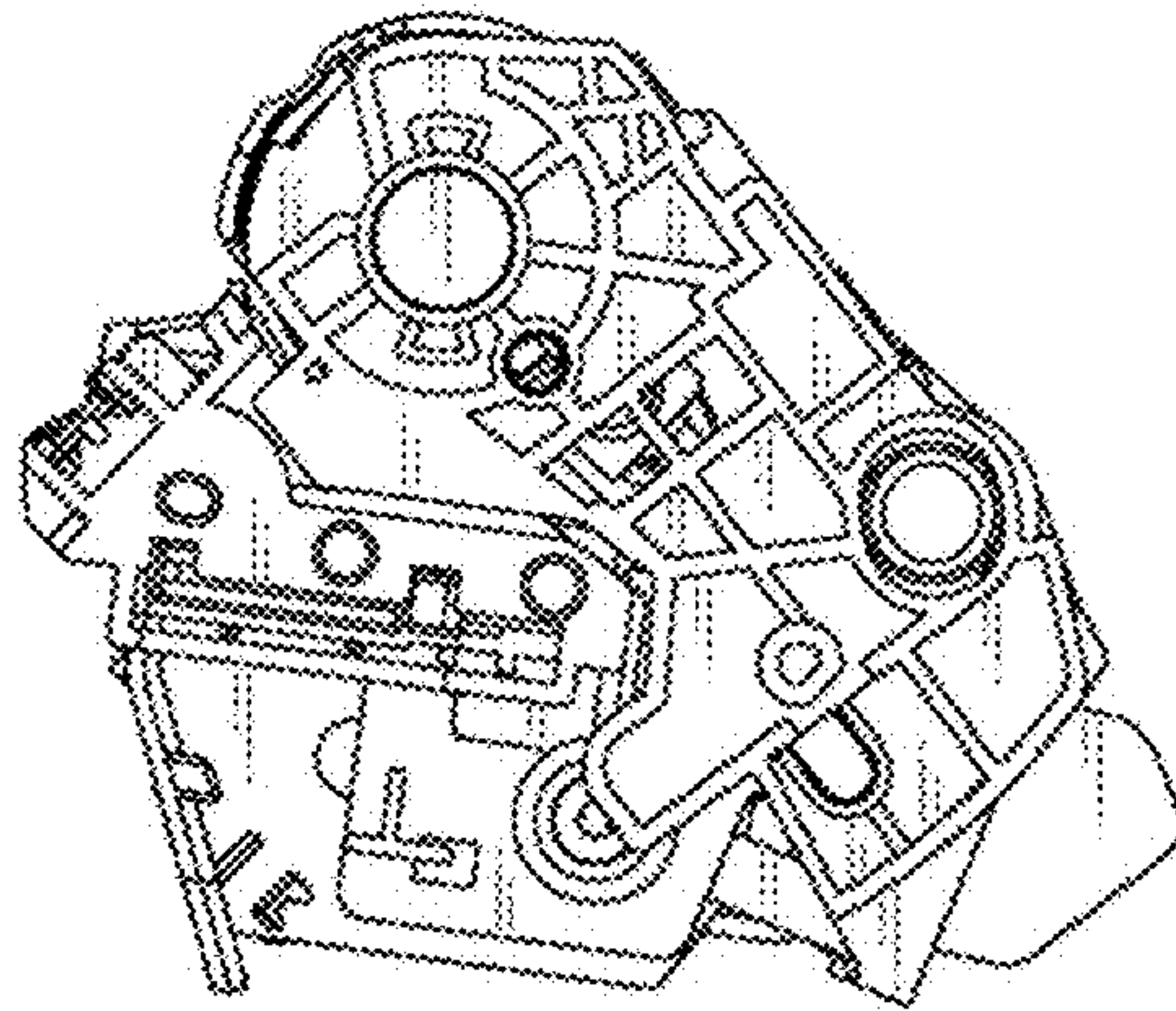
1.3



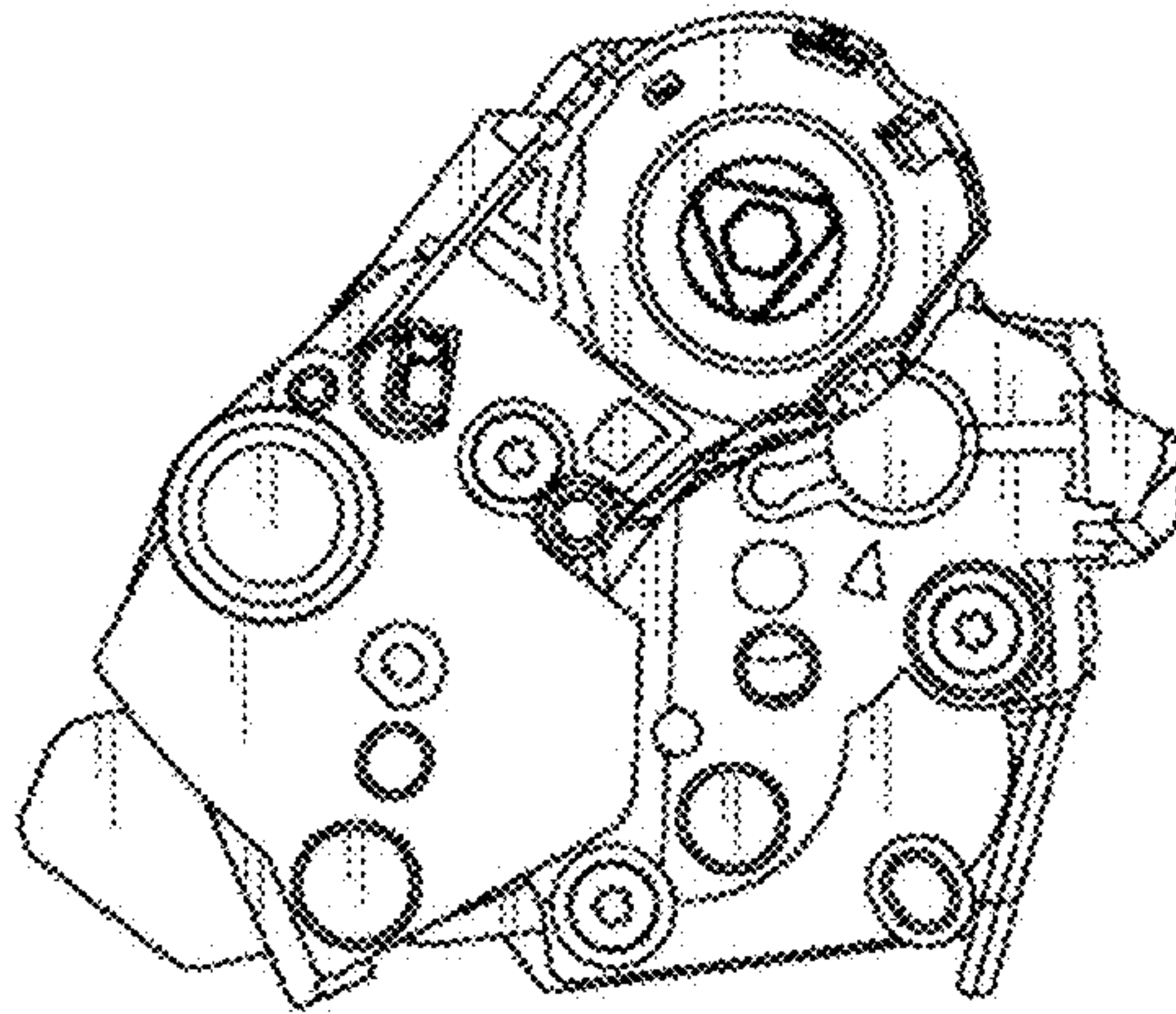
1.4



1.5

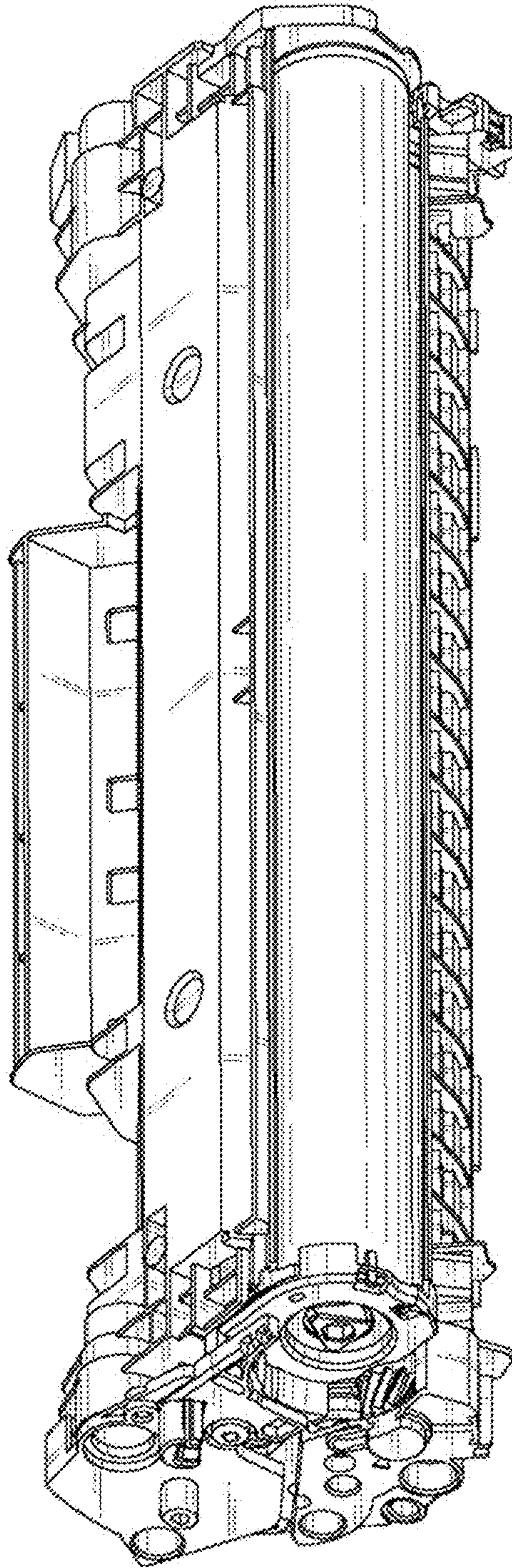


1.6

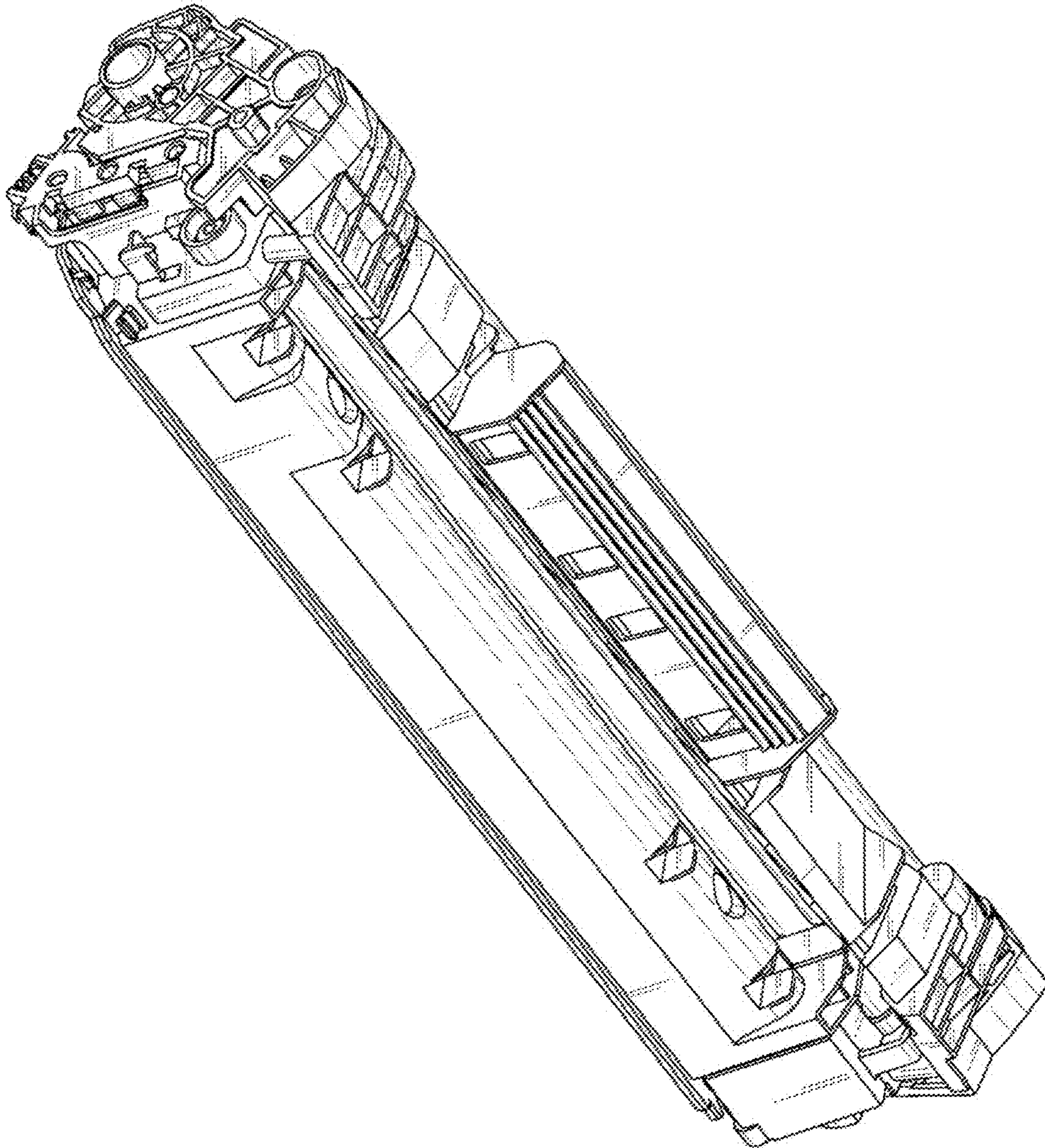




1.7

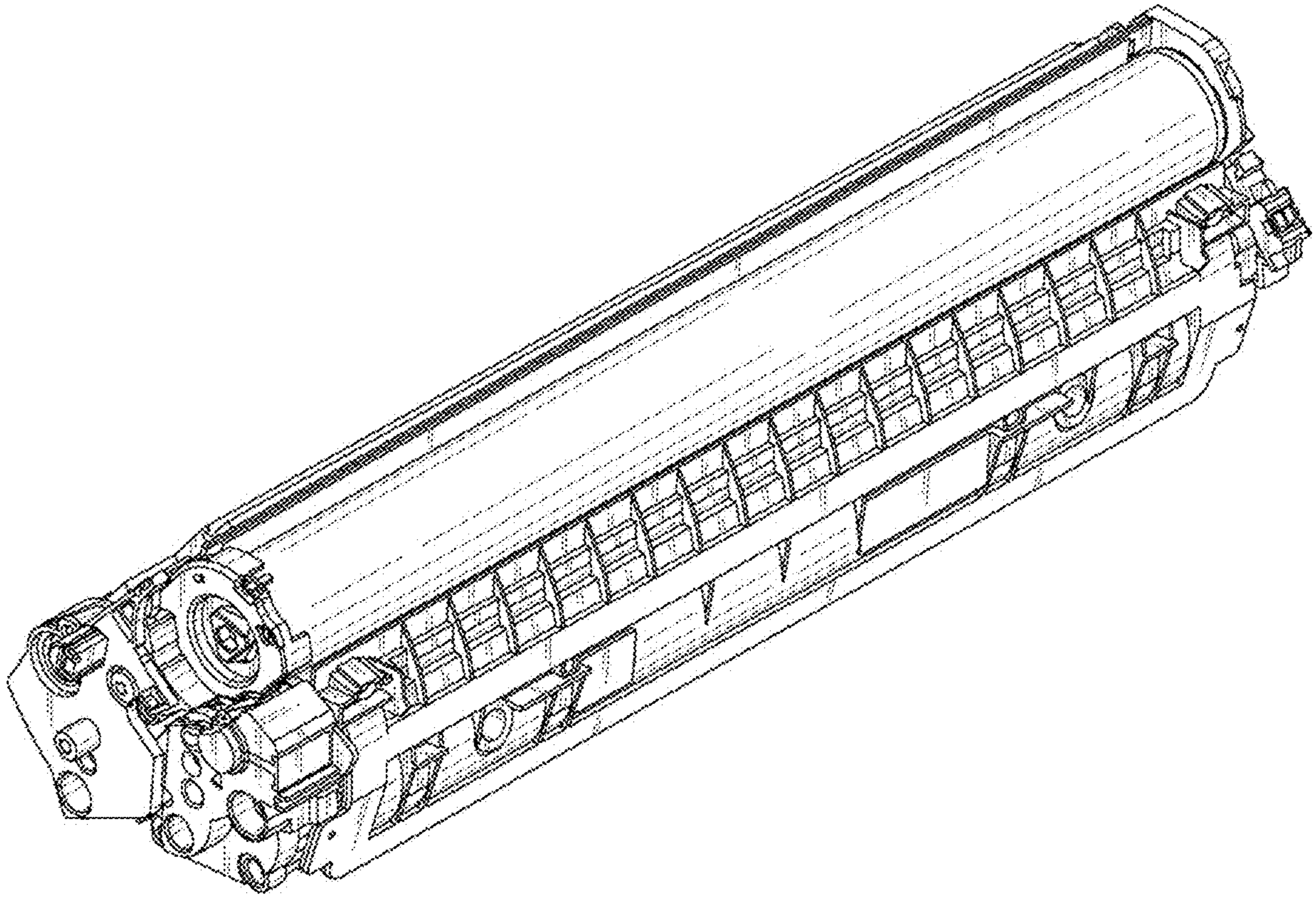


1.8

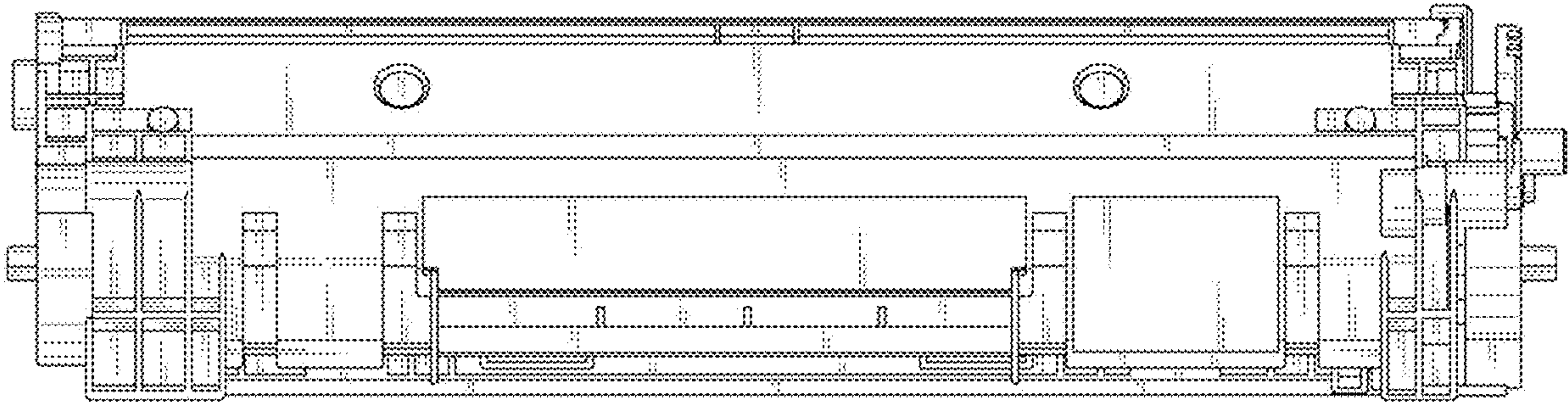




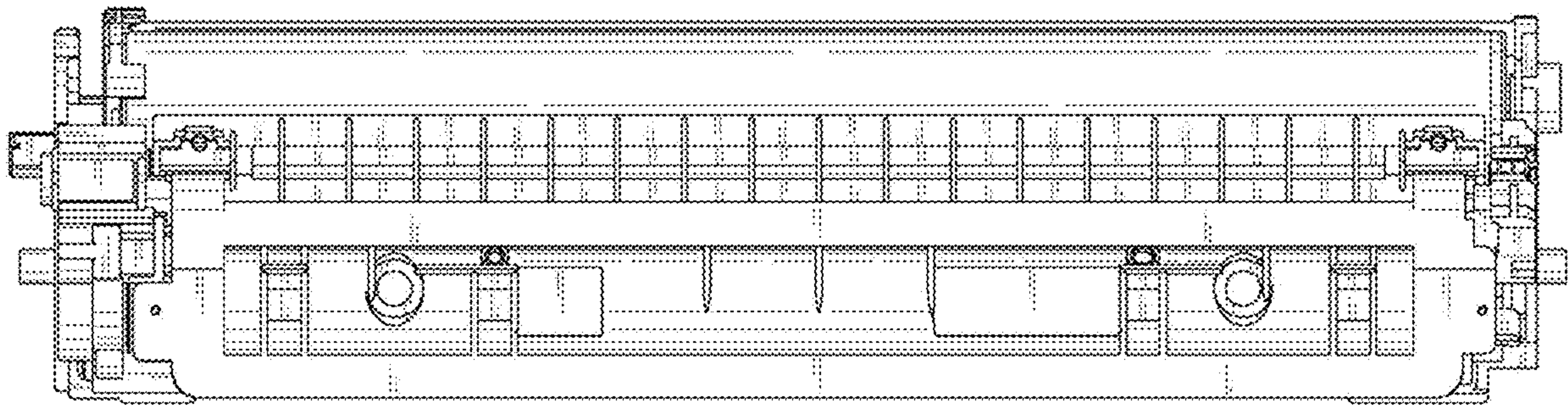
1.9



2.1

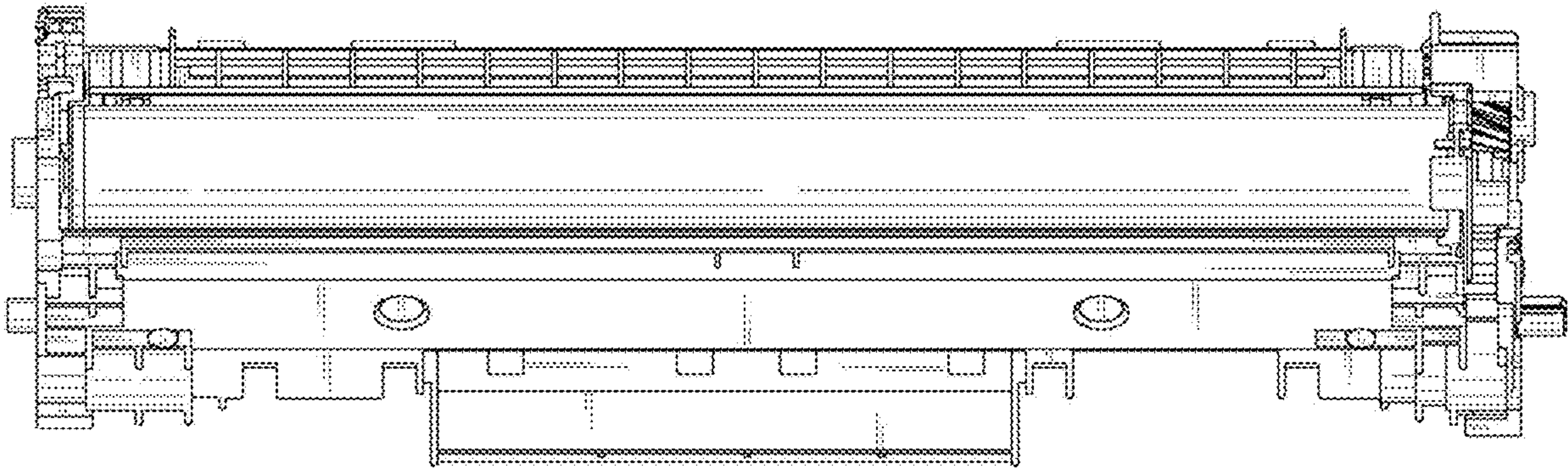


2.2

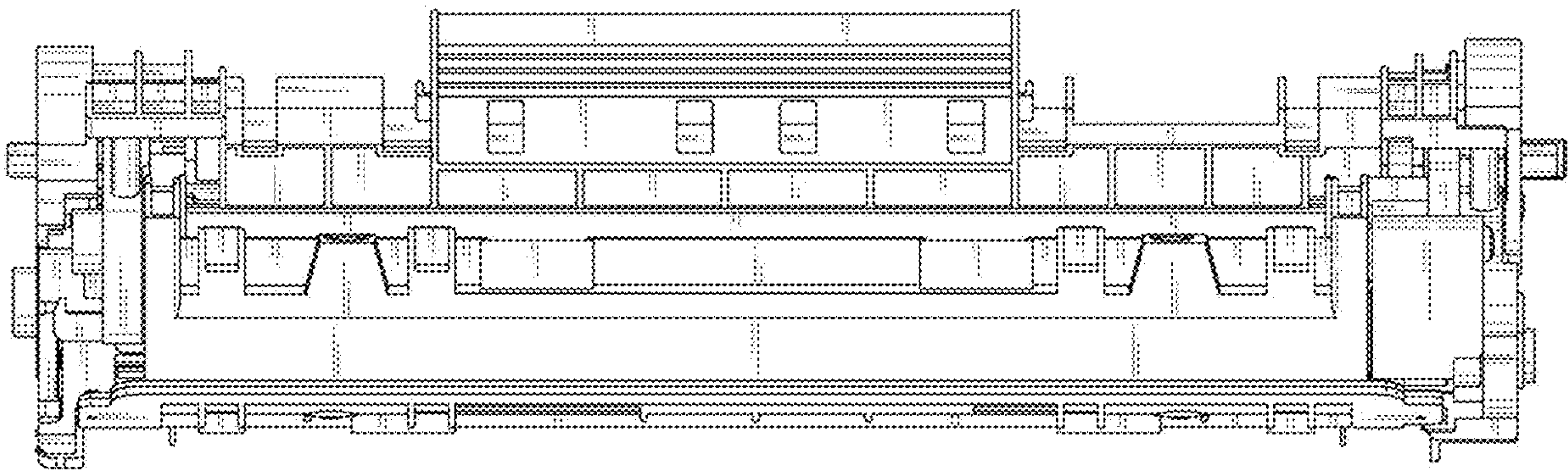




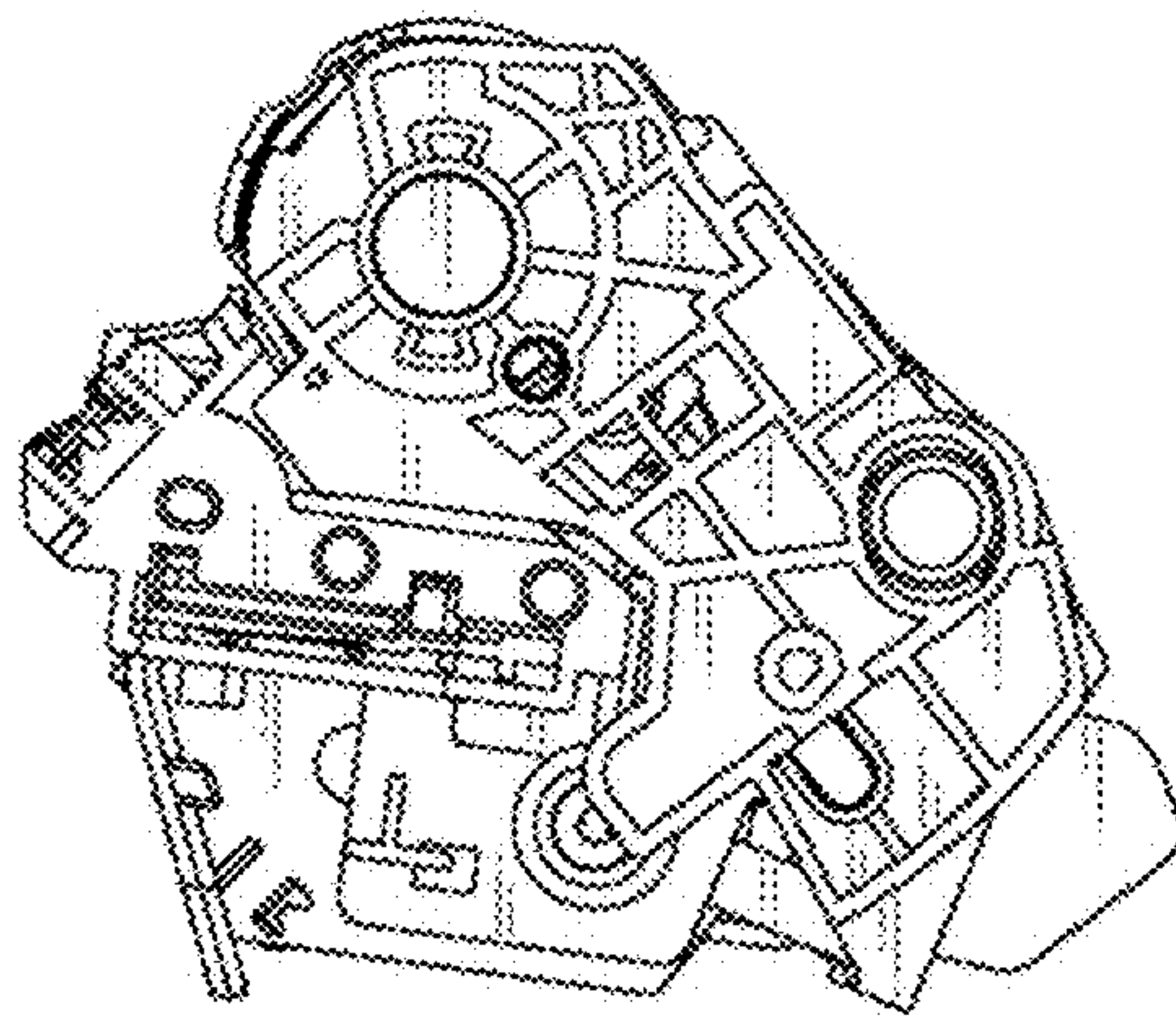
2.3



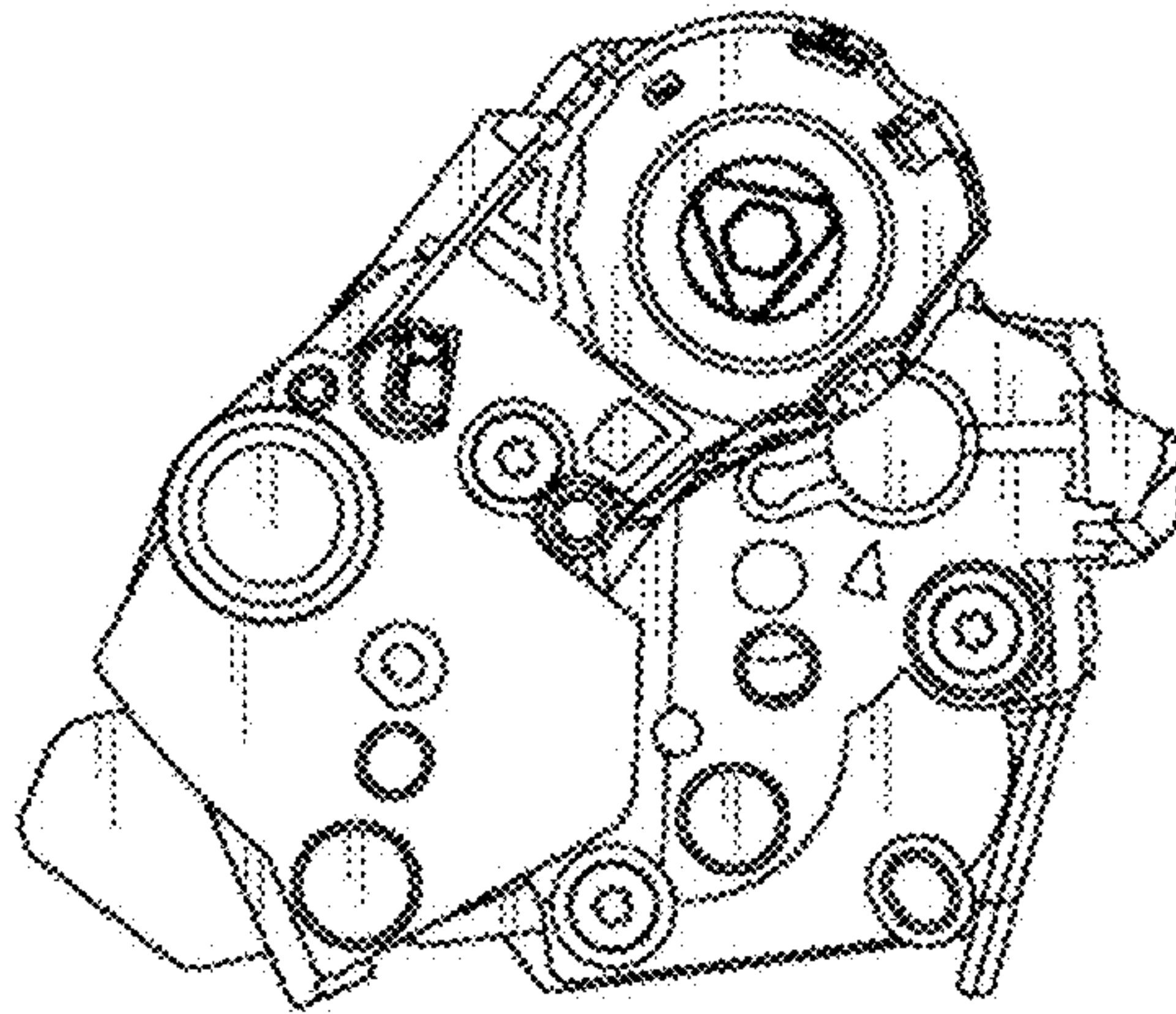
2.4



2.5

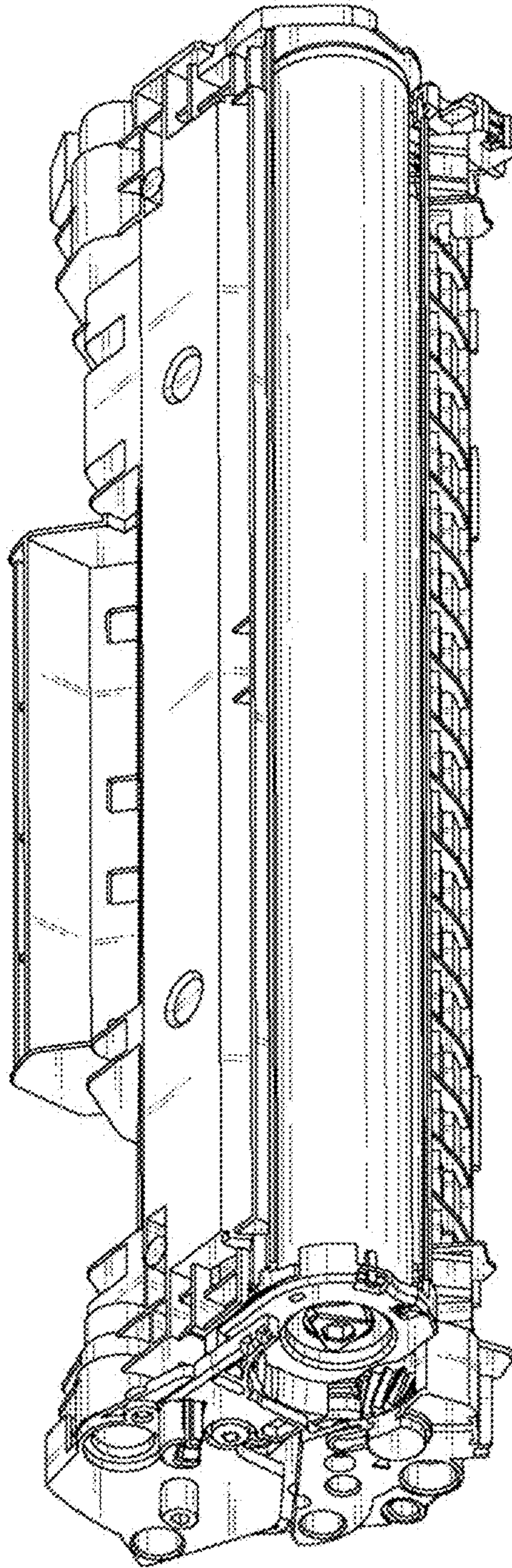


2.6



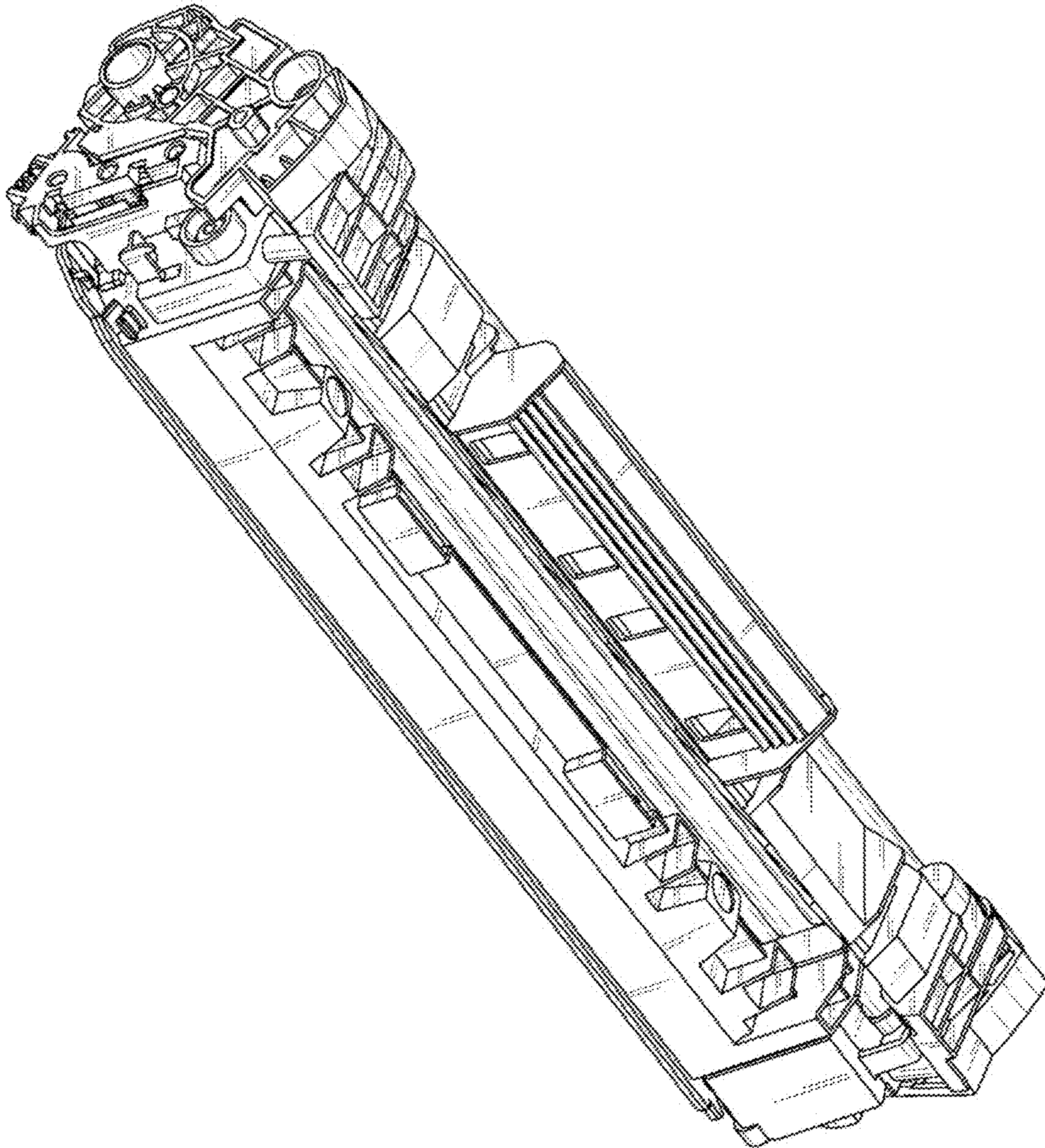


2.7





2.8



2.9

