



US00D873338S

(12) **United States Design Patent**
Sato et al.

(10) **Patent No.:** **US D873,338 S**
(45) **Date of Patent:** **** Jan. 21, 2020**

(54) **PROCESS CARTRIDGE FOR IMAGE FORMING APPARATUS**

(71) Applicant: **CANON KABUSHIKI KAISHA**,
Tokyo (JP)

(72) Inventors: **Masaaki Sato**, Kanagawa-ken (JP);
Hiroyuki Munetsugu, Kanagawa-ken
(JP); **Yosuke Kashiide**, Toyko (JP);
Koji Wada, Kanagawa-ken (JP);
Masanori Kudo, Kanagawa-ken (JP);
Goshi Ozaki, Kanagawa-ken (JP);
Kensuke Sato, Kanagawa-ken (JP);
Yukio Kubo, Boise, ID (US)

(73) Assignee: **Canon Kabushiki Kaisha**, Tokyo (JP)

(**) Term: **15 Years**

(21) Appl. No.: **29/657,928**

(22) Filed: **Jul. 26, 2018**

Related U.S. Application Data

(62) Division of application No. 35/502,993, filed on Nov.
18, 2016 (U.S. filing date under 35 U.S.C. 384), and
having an international filing date of Nov. 18, 2016,
now Pat. No. Des. 843,443.

(30) **Foreign Application Priority Data**

May 26, 2016 (JP) 2016-011238
May 26, 2016 (JP) 2016-011239

(51) **LOC (12) Cl.** **16-03**

(52) **U.S. Cl.**
USPC **D18/43**

(58) **Field of Classification Search**
USPC D18/36, 37, 39, 40, 41, 44, 45, 46, 47,
D18/48, 49, 50, 51, 52, 53, 54, 55, 56;
(Continued)

(56) **References Cited**

U.S. PATENT DOCUMENTS

D362,014 S * 9/1995 Ishibashi D18/40
D374,250 S * 10/1996 Yabuki D18/40
(Continued)

OTHER PUBLICATIONS

Copending, unpublished Design U.S. Appl. No. 29/529,581 to
Shinjiro Toba, et al., filed Jun. 9, 2015.

(Continued)

Primary Examiner — Darlington Ly

(74) *Attorney, Agent, or Firm* — Venable LLP

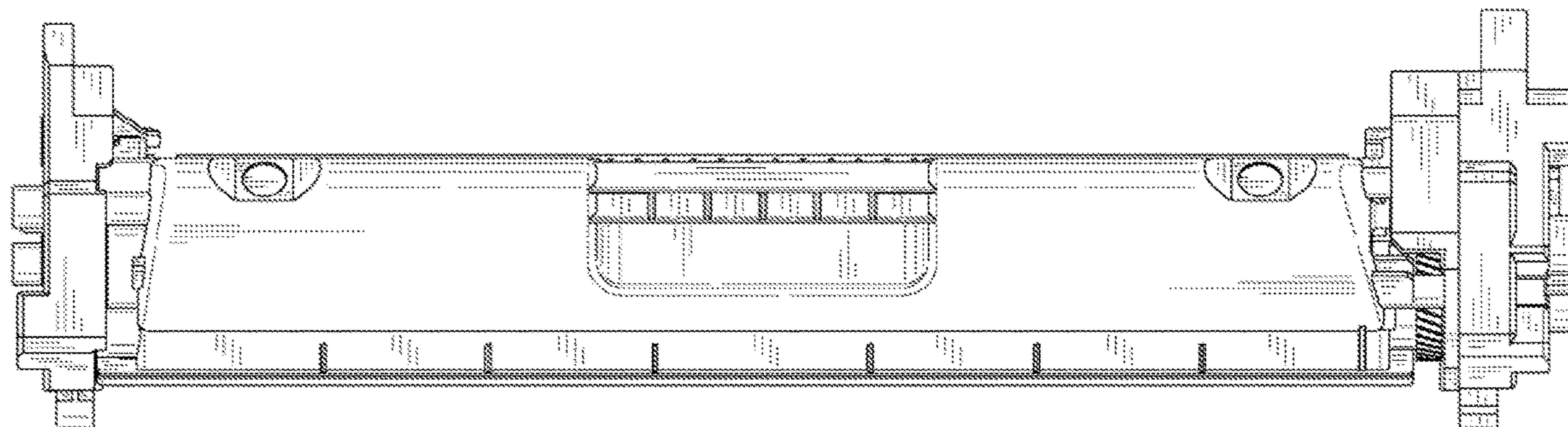
(57) **CLAIM**

The ornamental design for a process cartridge for image
forming apparatus, as shown and described.

DESCRIPTION

FIG. 1 is a front elevation view of a process cartridge for
image forming apparatus showing our new design in accord-
ance to a first embodiment;
FIG. 2 is a rear elevation view thereof;
FIG. 3 is a top plan view thereof;
FIG. 4 is a bottom plan view thereof;
FIG. 5 is a left side elevation view thereof;
FIG. 6 is a right side elevation view thereof;
FIG. 7 is a bottom, rear, and left side perspective view
thereof; and
FIG. 8 is a top, front, and right side perspective view thereof.
FIG. 9 is a front elevation view of a process cartridge for
image forming apparatus showing our new design in accord-
ance to a second embodiment;
FIG. 10 is a rear elevation view thereof;
FIG. 11 is a top plan view thereof;
FIG. 12 is a bottom plan view thereof;
FIG. 13 is a left side elevation view thereof;
FIG. 14 is a right side elevation view thereof;
FIG. 15 is a bottom, rear, and left side perspective view
thereof; and,
FIG. 16 is a top, front, and right side perspective view
thereof.

1 Claim, 16 Drawing Sheets



(58) **Field of Classification Search**

USPC D14/129, 130, 301, 307, 462, 463, 464,
 D14/465, 466, 467, 468, 469, 470, 471
 CPC B41J 3/00; B41J 3/28; B41J 3/445; B41J
 3/46; B65H 11/00; B65H 11/002; B65H
 2301/331; B65H 29/46; G03B 27/04;
 G03B 27/08; G03B 27/14; G03B 27/16;
 G03G 15/00; G03G 15/04; G03G 15/23;
 G03G 15/28; G03G 15/50; G03G 15/55;
 G03G 15/60; G03G 15/65; G03G 15/221;
 G03G 15/5075; G03G 15/6558; G03G
 15/0832; G03G 15/0834; G03G 15/0836;
 G03G 15/0837; G03G 15/0877; G03G
 15/0867; G03G 15/0868; G03G 15/0872;
 G03G 15/0898; G03G 15/5016; G03G
 15/0841; G03G 21/1853; G03G 21/20;
 G03G 21/18; G03G 21/08; G03G 21/16;
 G03G 2221/1654; G03G 2221/183; G03G
 2221/1684; G03G 2221/1645; G03F
 7/70716; G06K 15/12; G06K 15/14;
 H04N 1/00204; H04N 1/00249; H04N
 1/00278; H04N 1/00602; H04N 1/00631

See application file for complete search history.

(56) **References Cited**

U.S. PATENT DOCUMENTS

D374,455 S * 10/1996 Senshiki D18/40
 D377,662 S * 1/1997 Ootani D18/40
 D397,140 S * 8/1998 Oshida D18/40
 D410,676 S * 6/1999 Kurabayashi D18/40
 D460,980 S * 7/2002 Matsuzaki D18/40
 D462,984 S 9/2002 Hayashi et al.
 D501,021 S * 1/2005 Saiki D18/40
 D509,533 S * 9/2005 Karakama D18/40
 D521,545 S * 5/2006 Ishii D18/40
 D523,894 S * 6/2006 Ishii D18/40
 D524,359 S * 7/2006 Karakama D18/40
 D546,382 S * 7/2007 Noh D18/43
 D565,094 S * 3/2008 Sasaki D18/43
 D583,860 S * 12/2008 Kubota D18/43
 D584,343 S * 1/2009 Kwon D18/43
 D588,190 S * 3/2009 Kamimura D18/43

D596,663 S * 7/2009 Kamimura D18/43
 D599,846 S 9/2009 Yasui et al.
 D614,691 S * 4/2010 Abe D18/43
 D622,308 S * 8/2010 Kubota D18/43
 D622,309 S * 8/2010 Kubota D18/43
 D631,088 S 1/2011 Chadani et al.
 D631,089 S 1/2011 Chadani et al.
 D631,090 S 1/2011 Chadani et al.
 D631,091 S 1/2011 Chadani et al.
 D632,731 S * 2/2011 Abe D18/43
 D633,137 S 2/2011 Chadani et al.
 D638,056 S 5/2011 Kanno et al.
 D638,057 S 5/2011 Kanno et al.
 D639,335 S 6/2011 Kanno et al.
 D639,846 S 6/2011 Kanno et al.
 D652,862 S * 1/2012 Mori D18/43
 8,275,285 B2 * 9/2012 Kawakami G03G 21/1842
 399/107
 D718,379 S * 11/2014 Sakuma D18/43
 D786,962 S 5/2017 Toba et al.
 D786,968 S 5/2017 Uratani et al.
 D791,224 S 7/2017 Toba et al.
 D791,862 S 7/2017 Toba et al.
 D796,574 S 9/2017 Kamoshida et al.
 D798,948 S 10/2017 Toba et al.
 D798,949 S 10/2017 Toba et al.
 D807,955 S 1/2018 Toba et al.
 D823,380 S * 7/2018 Uratani D18/43
 D823,938 S * 7/2018 Uratani D18/43
 2007/0071496 A1 * 3/2007 Lee G03G 21/1853
 399/111

OTHER PUBLICATIONS

Copending, unpublished Design U.S. Appl. No. 29/546,566 to Shinjiro Toba, et al., filed Nov. 24, 2015.
 Copending, unpublished Design U.S. Appl. No. 29/586,991 to Shinjiro Toba, et al., filed Dec. 8, 2016.
 Copending, unpublished Design U.S. Appl. No. 29/546,569 to Shinjiro Toba, et al., filed Nov. 24, 2015.
 Copending, unpublished Design U.S. Appl. No. 29/552,153 to Shunsuke Uratani, et al., filed Jan. 20, 2016.
 Copending, unpublished Design U.S. Appl. No. 29/552,142 to Shunsuke Uratani, et al., filed Jan. 20, 2016.
 Copending, unpublished Design U.S. Appl. No. 29/552,140 to Shigemi Kamoshida, et al., filed Jan. 20, 2016.

* cited by examiner

Fig. 1

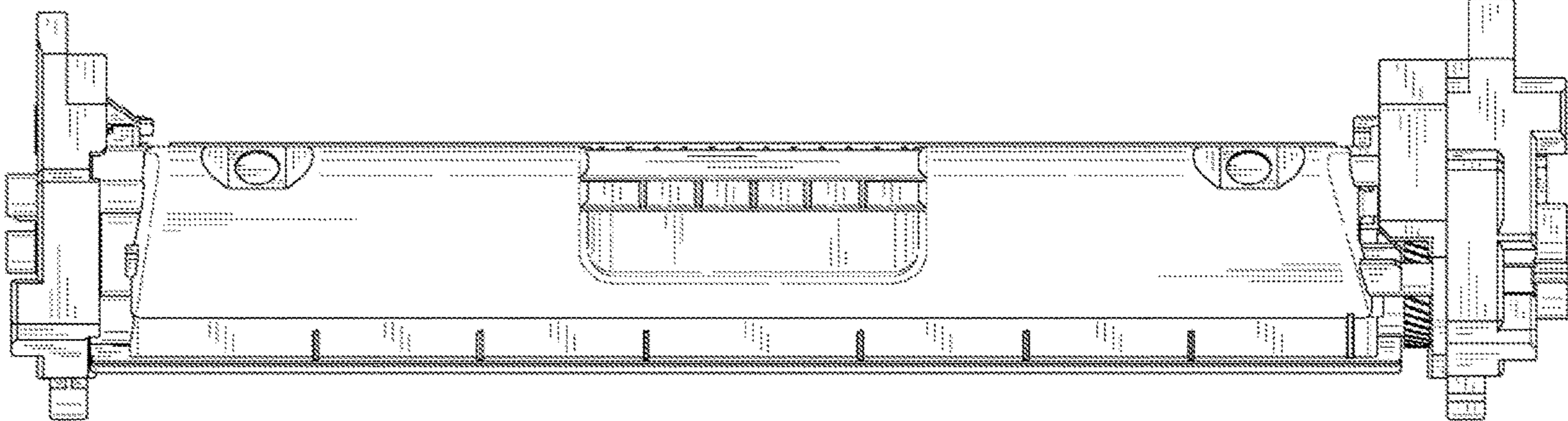


Fig. 2

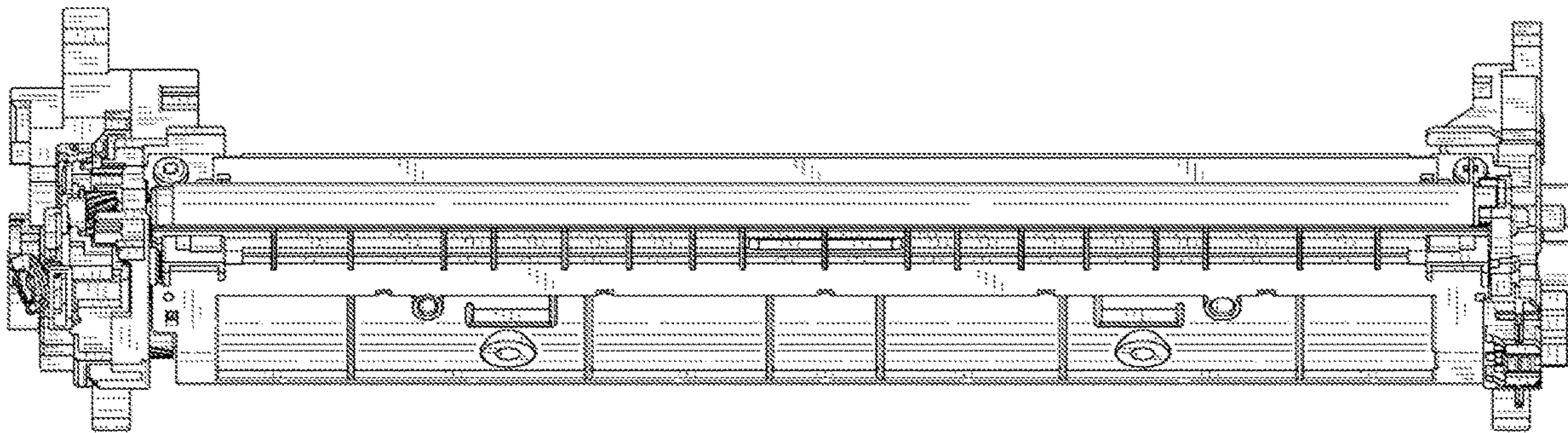


Fig. 3

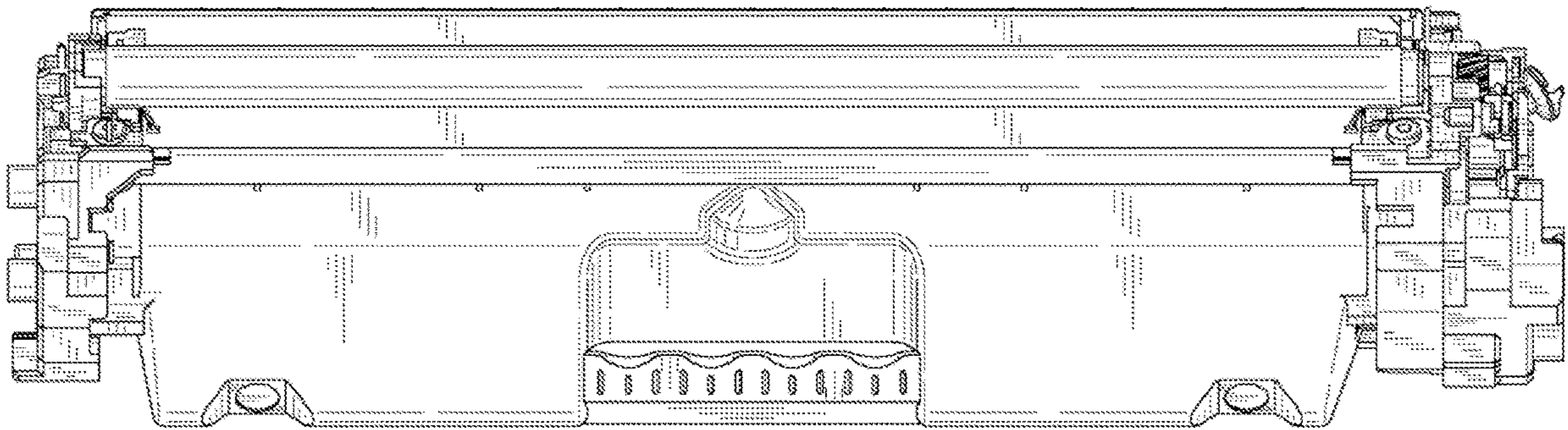


Fig. 4

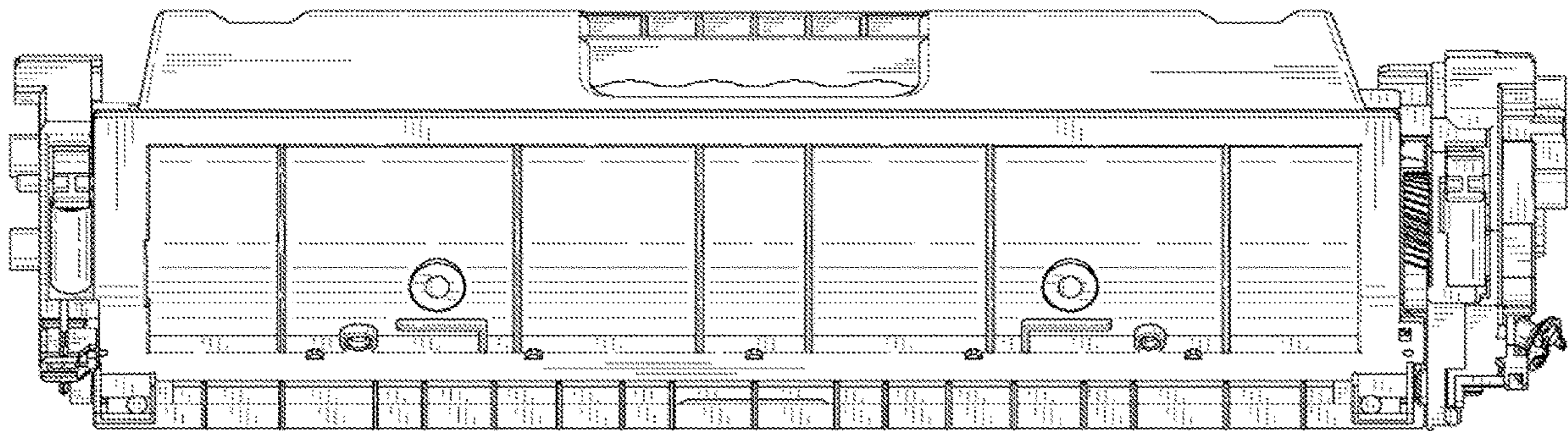


Fig. 5

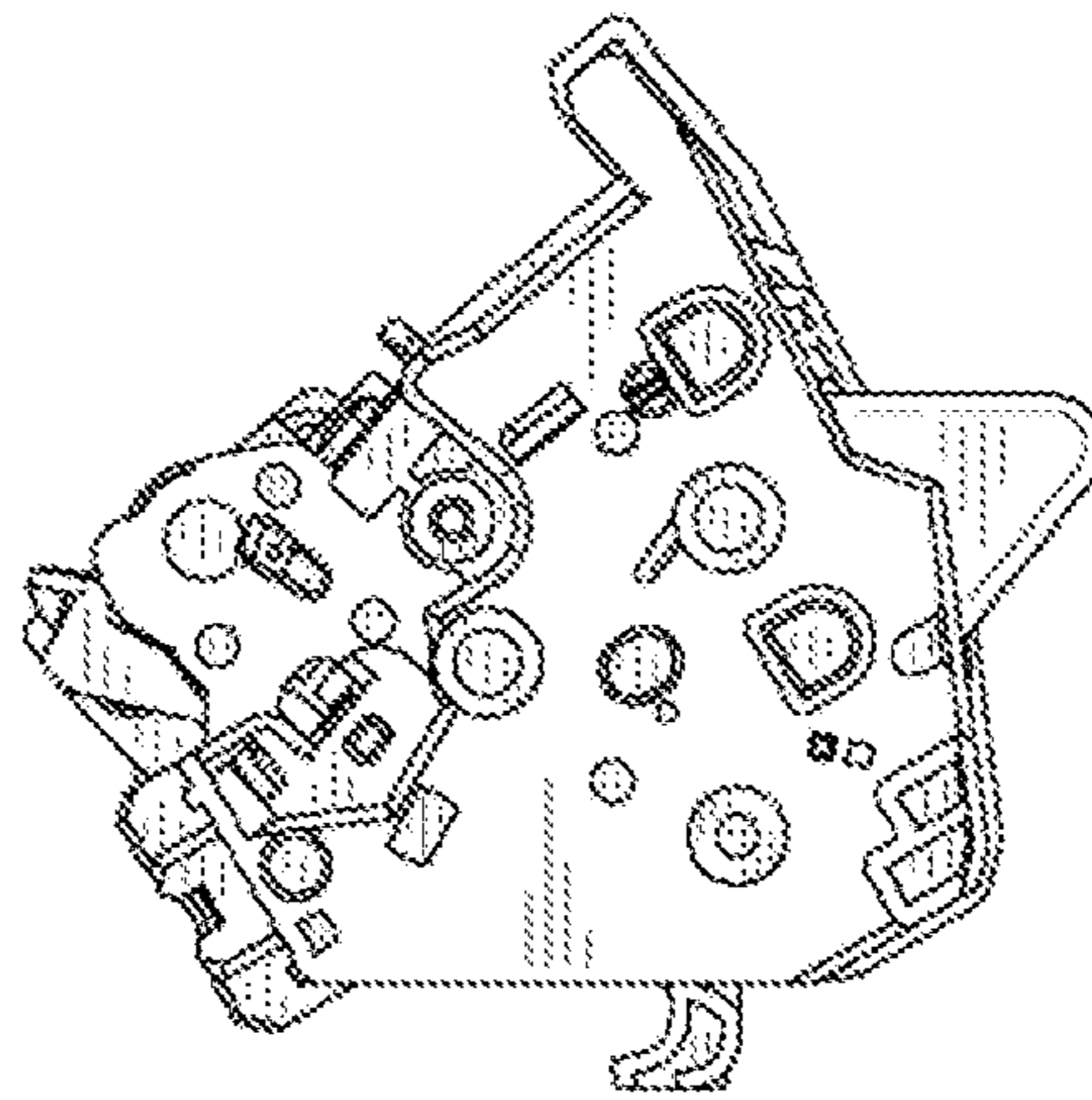


Fig. 6

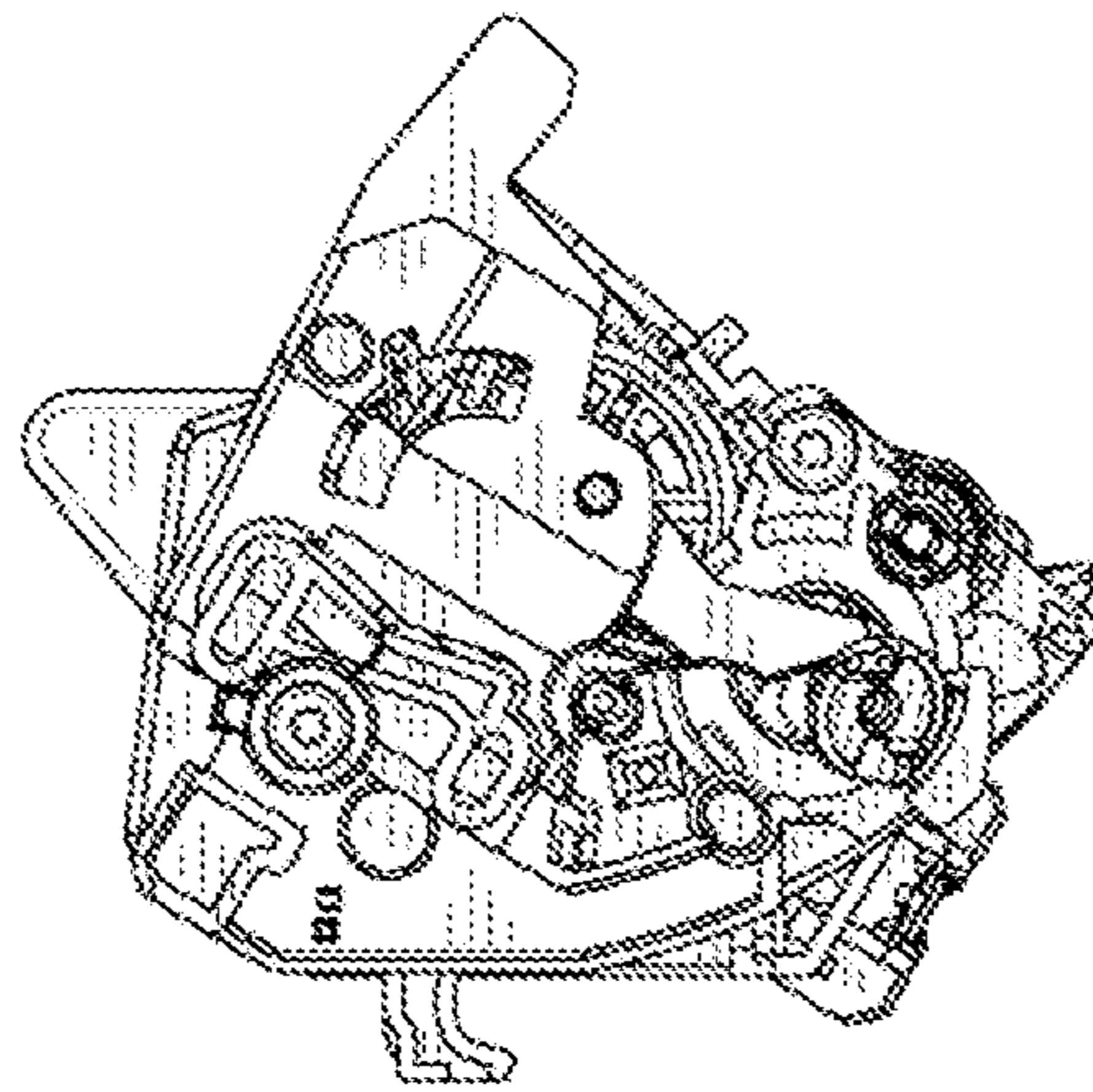


Fig. 7

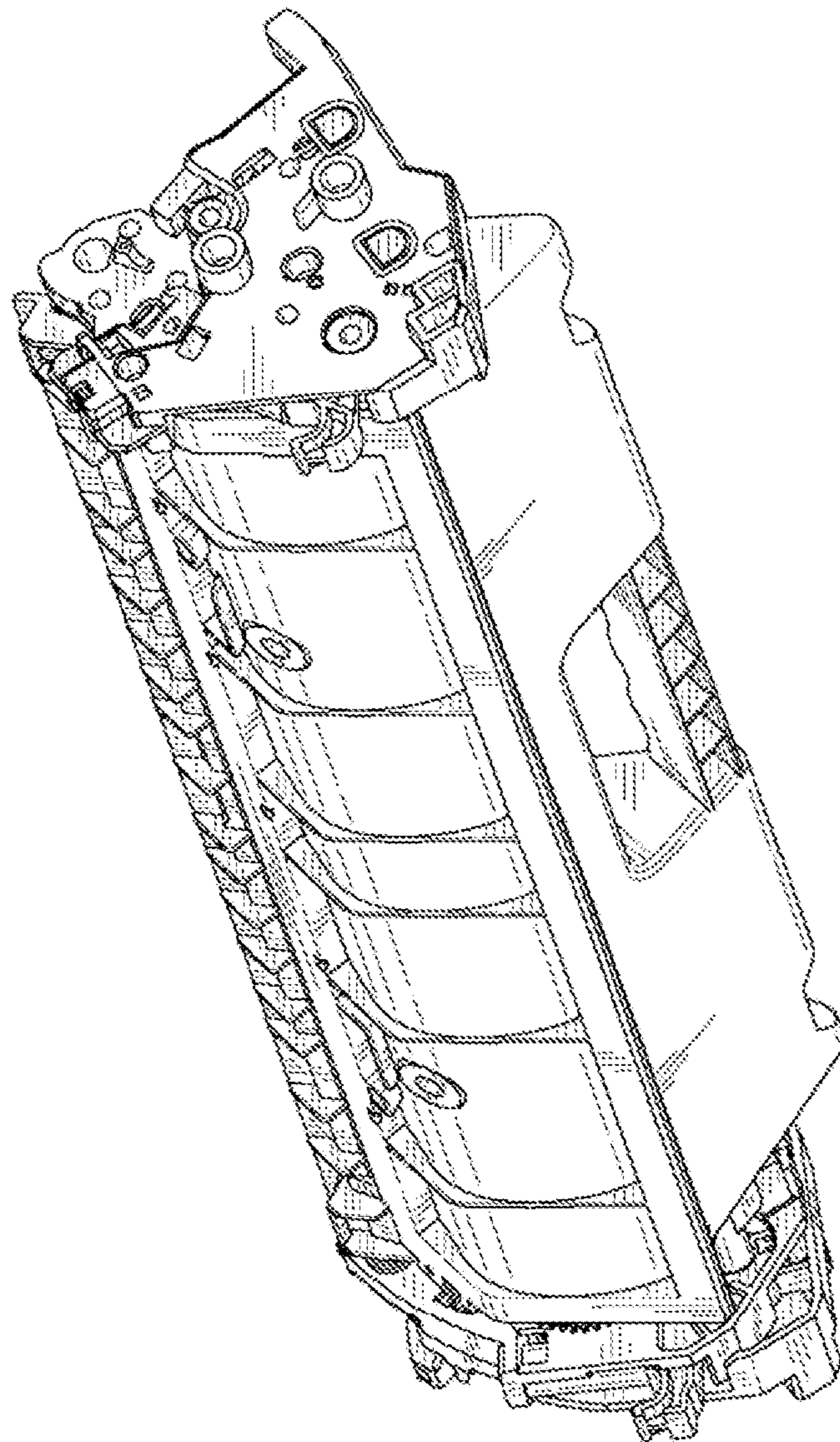


Fig. 8

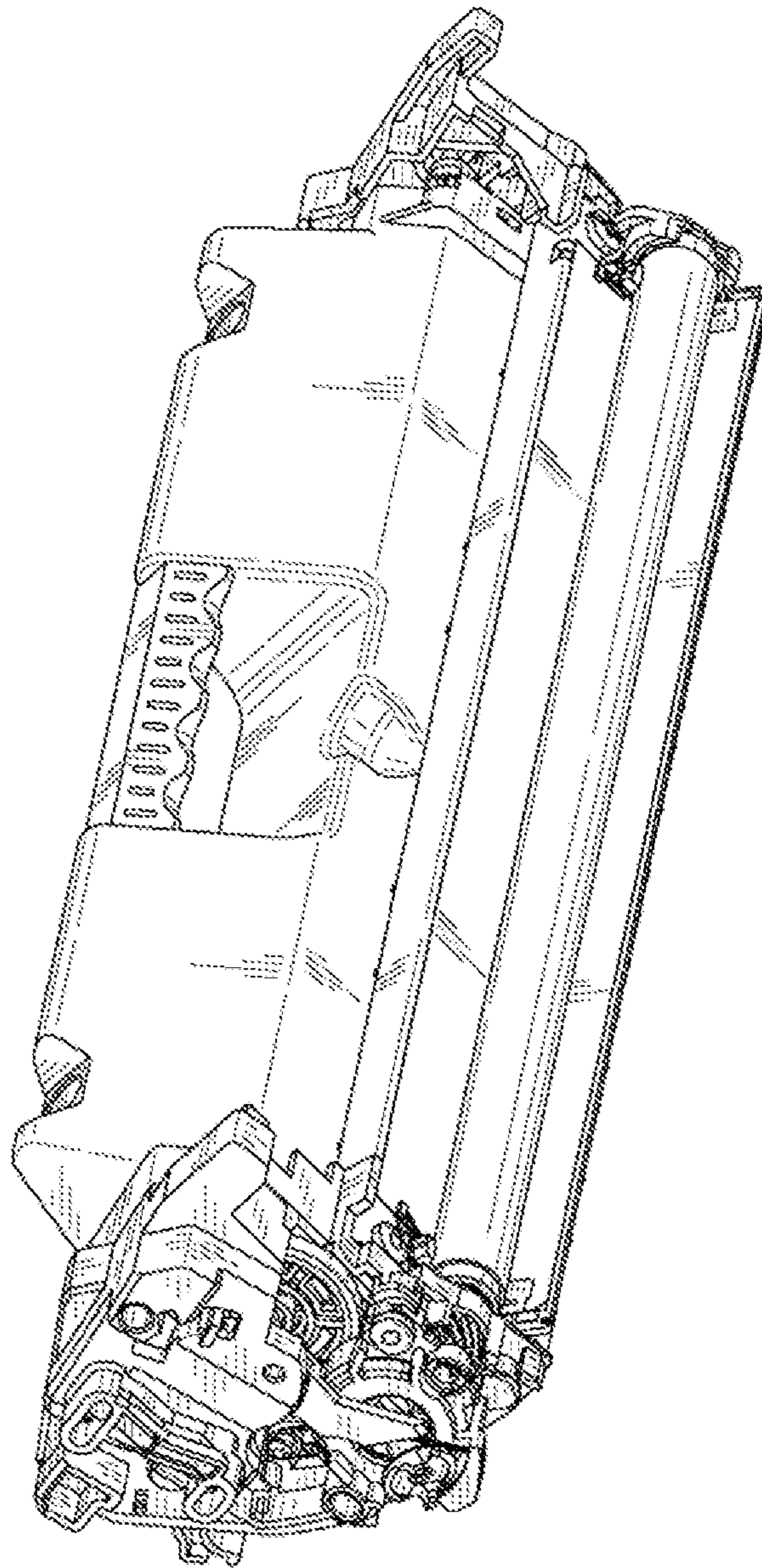


Fig. 9

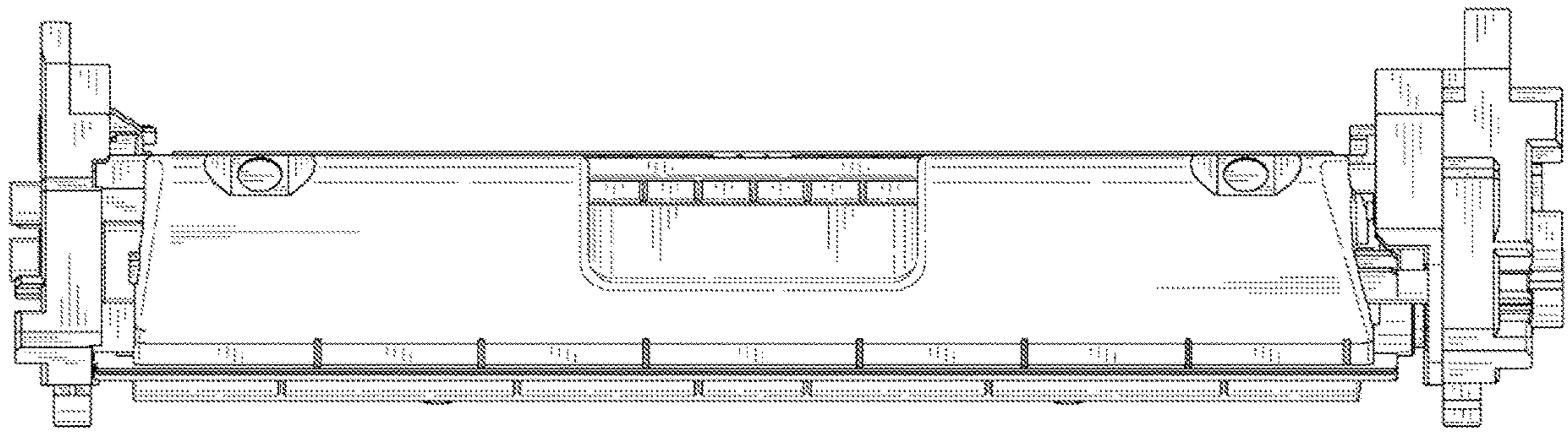


Fig. 10

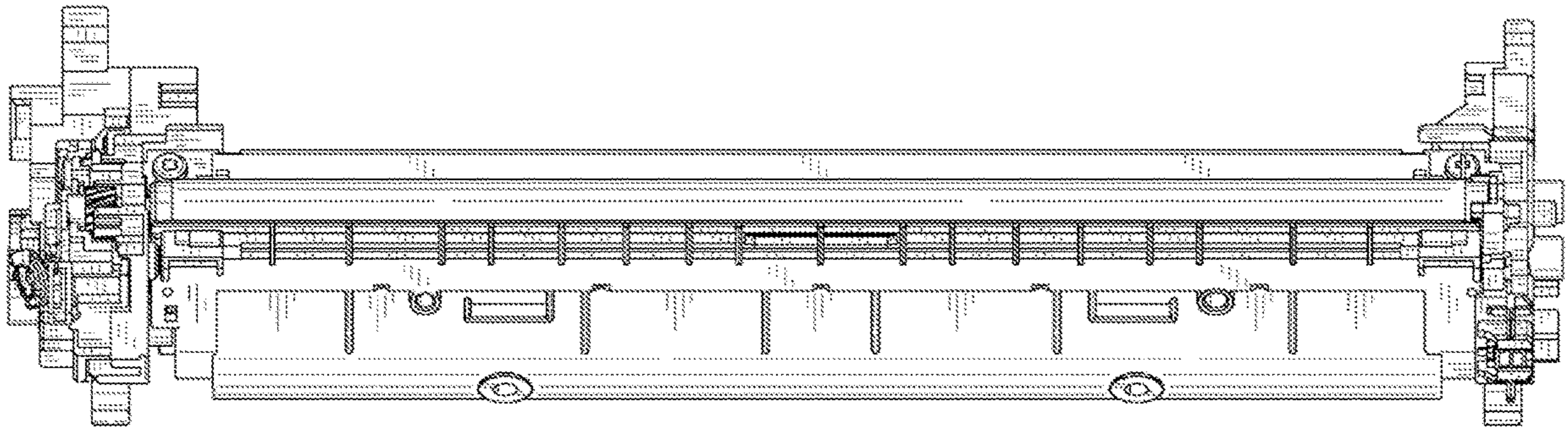


Fig. 11

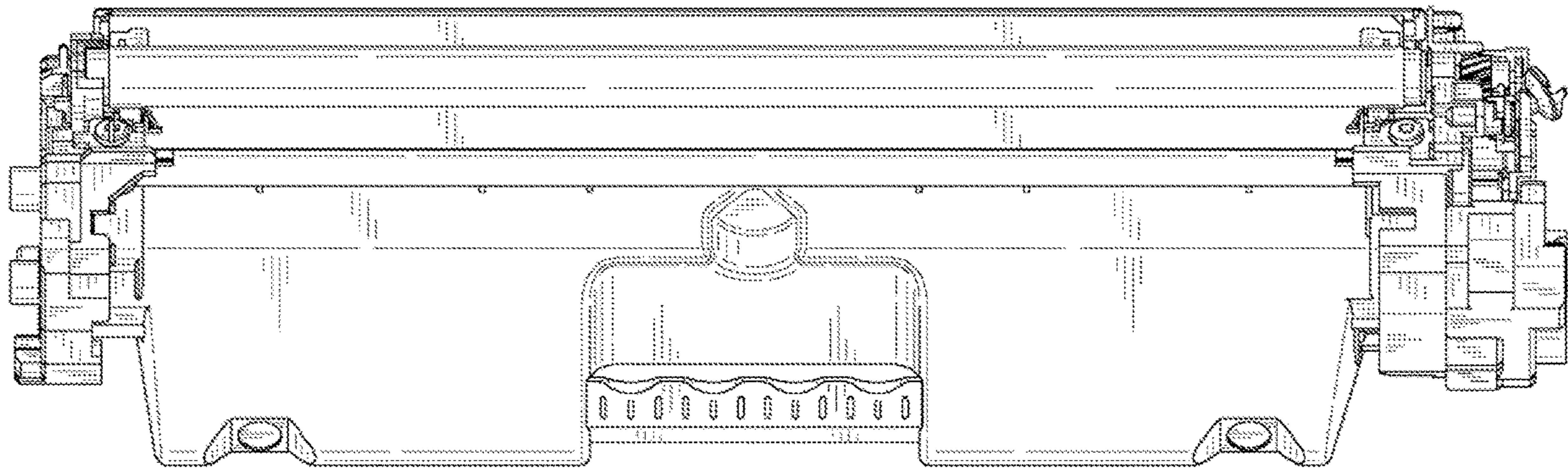


Fig. 12

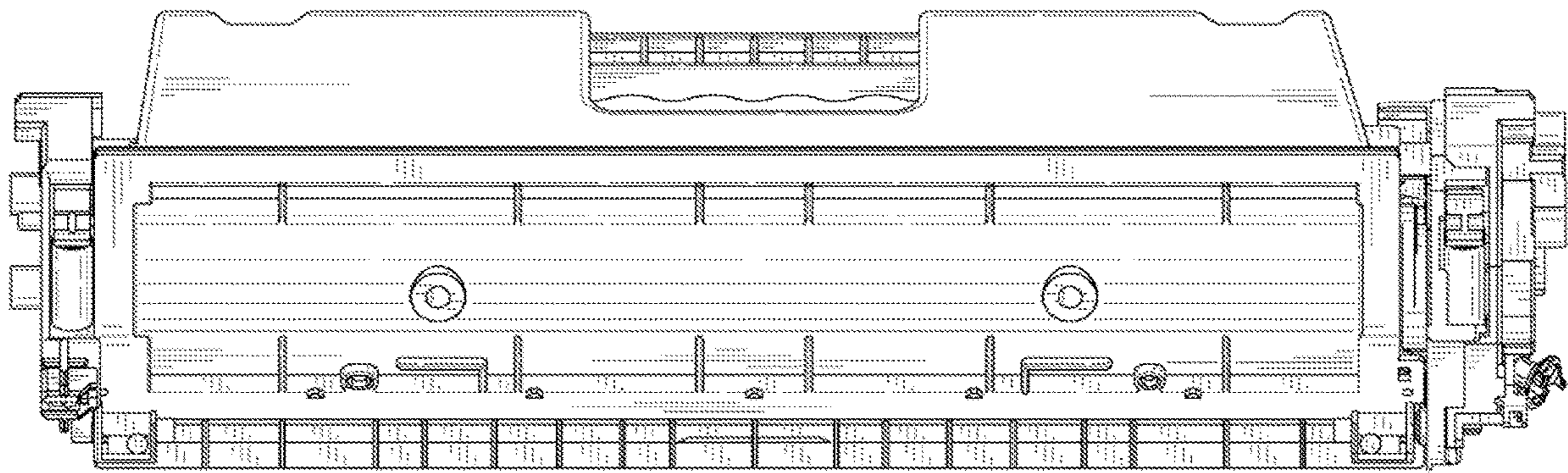


Fig. 13

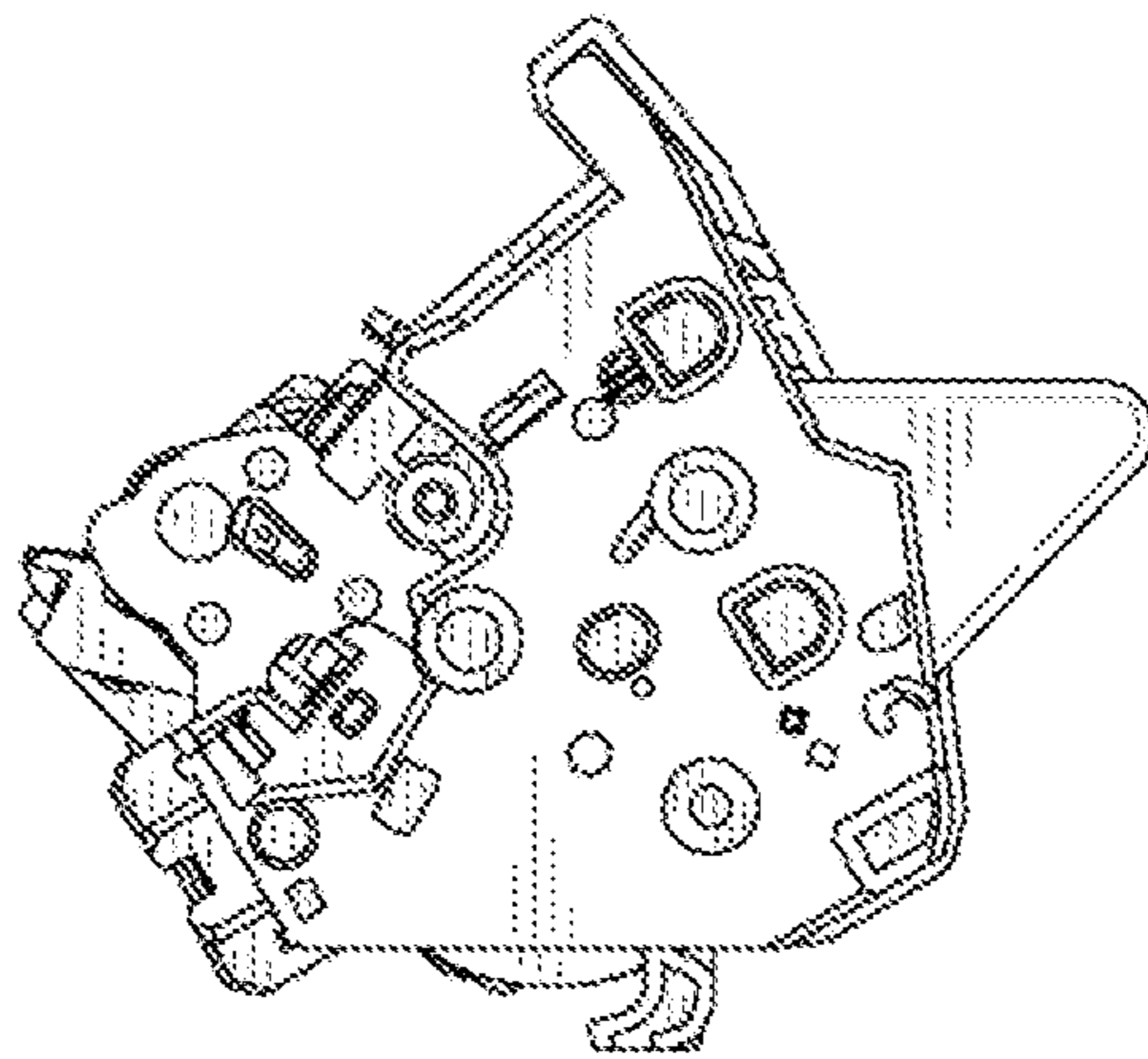


Fig. 14

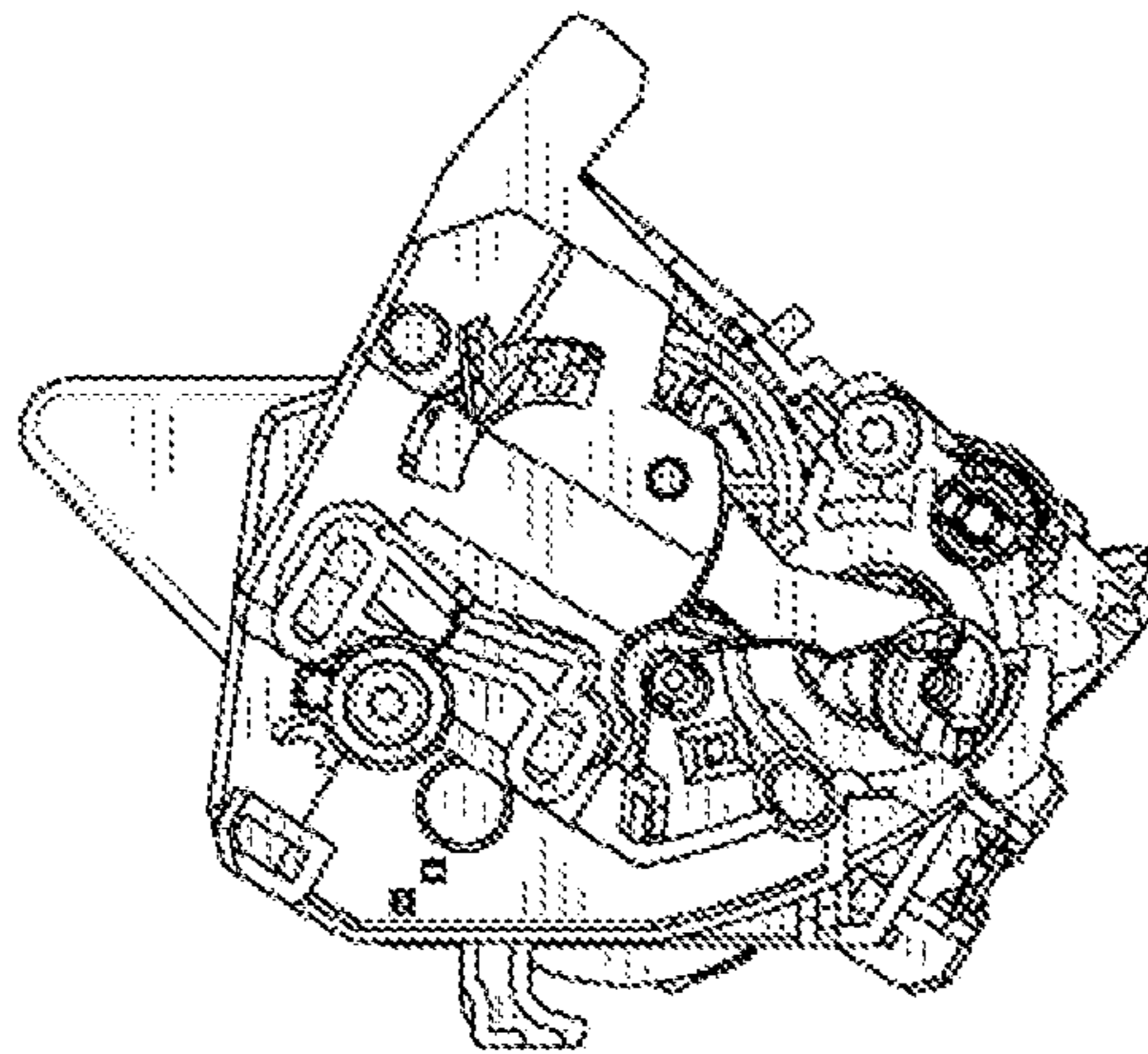


Fig. 15

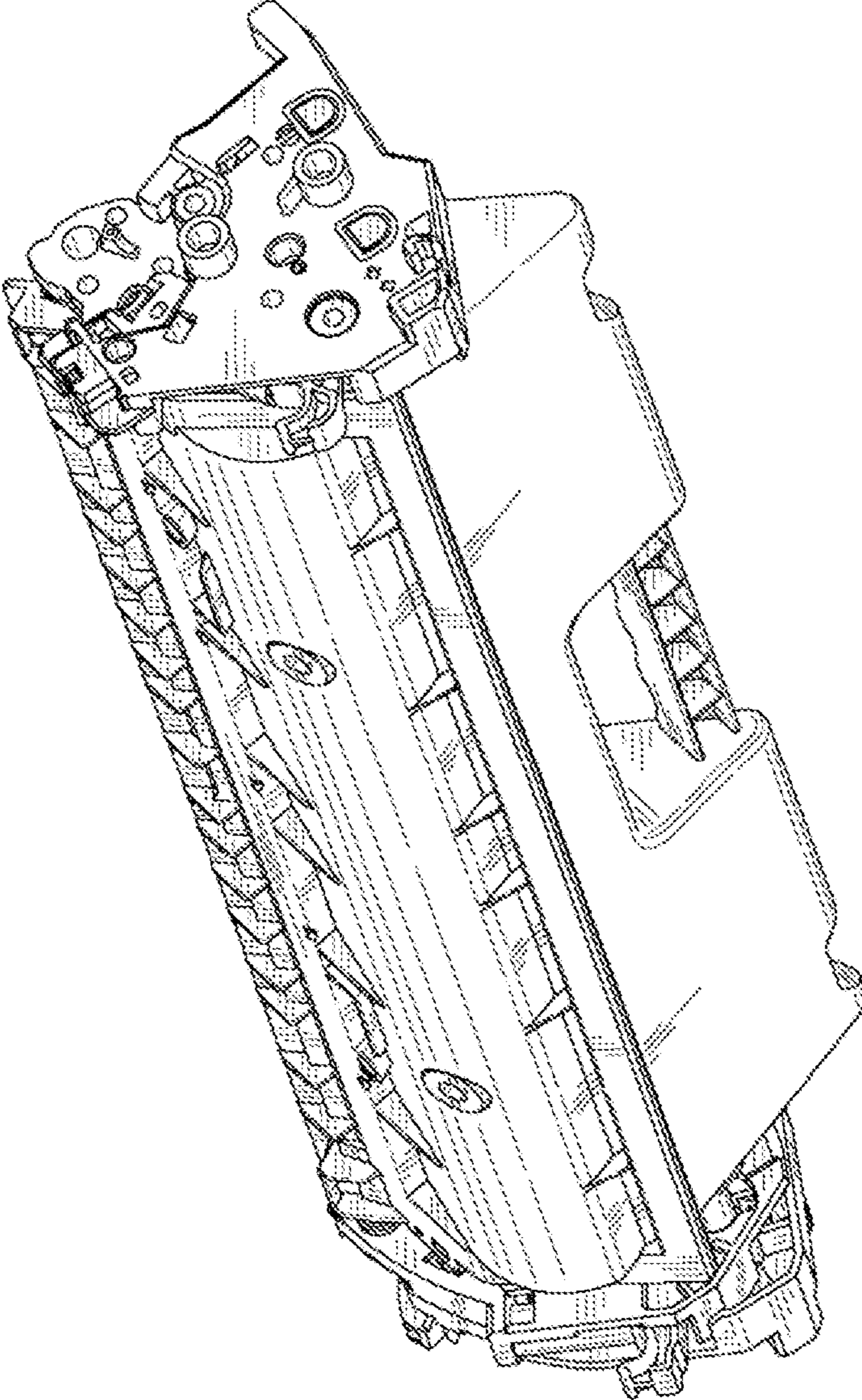


Fig. 16

