



US00D873335S

(12) **United States Design Patent** (10) **Patent No.:** **US D873,335 S**  
**Kashiide et al.** (45) **Date of Patent:** **\*\* Jan. 21, 2020**

(54) **PROCESS CARTRIDGE FOR IMAGE FORMING APPARATUS**

G03G 15/60; G03G 15/65; G03G 15/221; G03G 15/5075; G03G 15/6558; G03G 15/0832; G03G 15/0834; G03G 15/0836; G03G 15/0837; G03G 15/0877; G03G 15/0867;

(71) Applicant: **CANON KABUSHIKI KAISHA**, Tokyo (JP)

(Continued)

(72) Inventors: **Yosuke Kashiide**, Tokyo (JP); **Takashi Kimura**, Tokyo (JP); **Naoki Hayashi**, Kanagawa-ken (JP); **Yu Fukasawa**, Kanagawa-ken (JP); **Tachio Kawai**, Tokyo (JP)

(56) **References Cited**

U.S. PATENT DOCUMENTS

D362,014 S \* 9/1995 Ishibashi ..... D18/40  
D374,250 S \* 10/1996 Yabuki ..... D18/40

(Continued)

(73) Assignee: **Canon Kabushiki Kaisha**, Tokyo (JP)

(\*\*) Term: **15 Years**

OTHER PUBLICATIONS

(21) Appl. No.: **29/657,904**

Copending, unpublished Design U.S. Appl. No. 29/529,581 to Shinjiro Toba, et al., filed Jun. 9, 2015.

(22) Filed: **Jul. 26, 2018**

(Continued)

**Related U.S. Application Data**

(62) Division of application No. 35/502,993, filed on Nov. 18, 2016 (U.S. filing date under 35 U.S.C. 384), and (Continued)

*Primary Examiner* — Darlington Ly

(74) *Attorney, Agent, or Firm* — Venable LLP

(30) **Foreign Application Priority Data**

May 26, 2016 (JP) ..... 2016-011235

(51) **LOC (12) Cl.** ..... **16-03**

(52) **U.S. Cl.**

USPC ..... **D18/43**

(58) **Field of Classification Search**

USPC ..... D18/36, 37, 39, 40, 41, 44, 45, 46, 47, D18/48, 49, 50, 51, 52, 53, 54, 55, 56; D14/129, 130, 301, 307, 462, 463, 464, D14/465, 466, 467, 468, 469, 470, 471

CPC ..... B41J 3/00; B41J 3/28; B41J 3/445; B41J 3/46; B65H 11/00; B65H 11/002; B65H 2301/331; B65H 29/46; G03B 27/04; G03B 27/08; G03B 27/14; G03B 27/16; G03G 15/00; G03G 15/04; G03G 15/23; G03G 15/28; G03G 15/50; G03G 15/55;

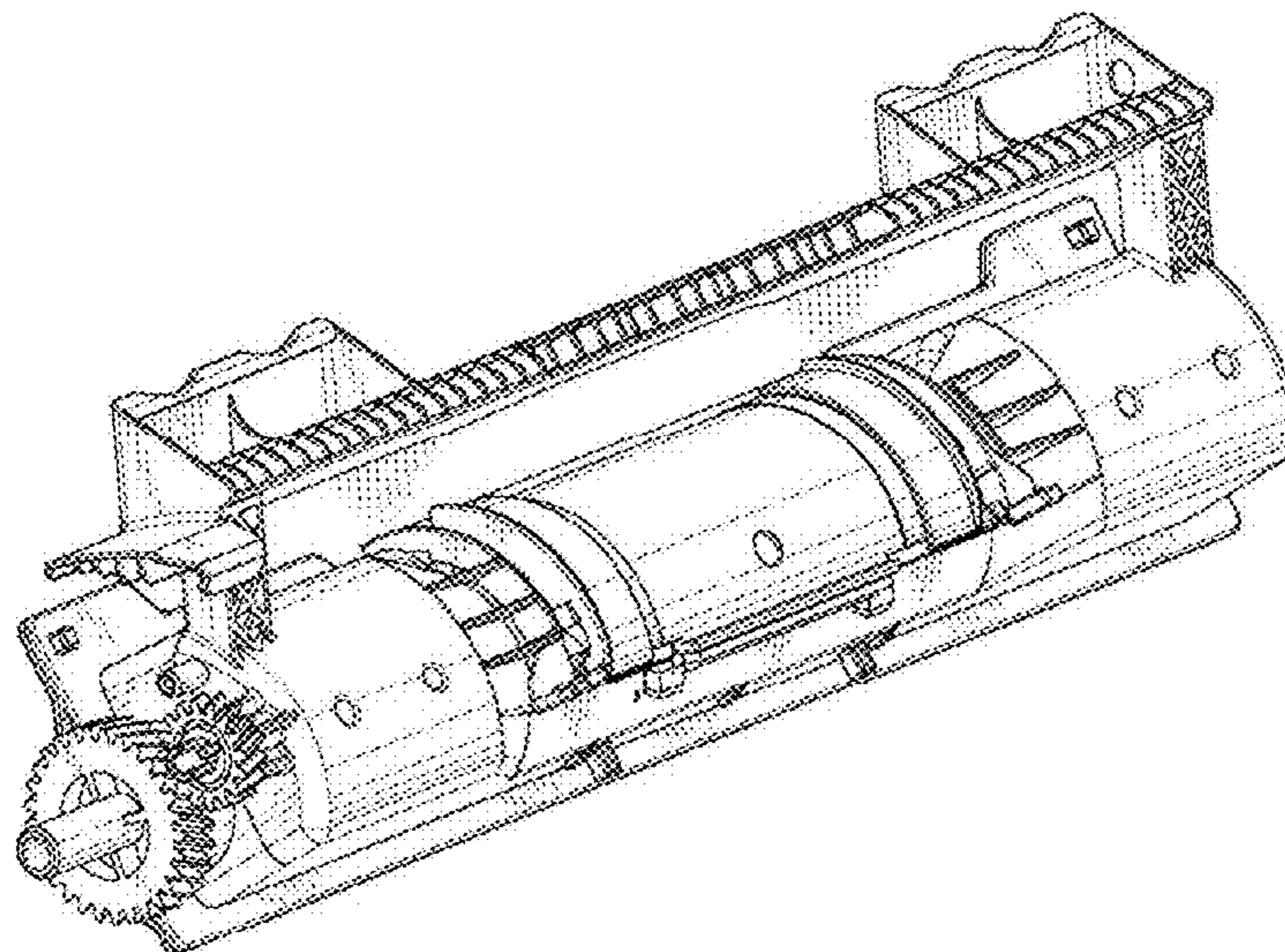
(57) **CLAIM**

The ornamental design for a process cartridge for image forming apparatus, as shown and described.

**DESCRIPTION**

FIG. 1 is a front elevation view of a process cartridge for image forming apparatus showing our new design; FIG. 2 is a rear elevation view thereof; FIG. 3 is a top plan view thereof; FIG. 4 is a bottom plan view thereof; FIG. 5 is a left side elevation view thereof; FIG. 6 is a right side elevation view thereof; FIG. 7 is a bottom, rear, and left side perspective view thereof; and, FIG. 8 is a top, front, and right side perspective view thereof.

**1 Claim, 8 Drawing Sheets**



**Related U.S. Application Data**

having an international filing date of Nov. 18, 2016, now Pat. No. Des. 843,443.

(58) **Field of Classification Search**

CPC ..... G03G 15/0868; G03G 15/0872; G03G 15/0898; G03G 15/5016; G03G 15/0841; G03G 21/1853; G03G 21/20; G03G 21/18; G03G 21/08; G03G 21/16; G03G 2221/1654; G03G 2221/183; G03G 2221/1684; G03G 2221/1645; G03F 7/70716; G06K 15/12; G06K 15/14; H04N 1/00204; H04N 1/00249; H04N 1/00278; H04N 1/00602; H04N 1/00631

See application file for complete search history.

(56) **References Cited**

U.S. PATENT DOCUMENTS

D374,455 S *	10/1996	Senshiki	.....	D18/40
D377,662 S *	1/1997	Ootani	.....	D18/40
D397,140 S *	8/1998	Oshida	.....	D18/40
D410,676 S *	6/1999	Kurabayashi	.....	D18/40
D460,980 S *	7/2002	Matsuzaki	.....	D18/40
D462,984 S	9/2002	Hayashi et al.		
D501,021 S *	1/2005	Saiki	.....	D18/40
D509,533 S *	9/2005	Karakama	.....	D18/40
D521,545 S *	5/2006	Ishii	.....	D18/40
D523,894 S *	6/2006	Ishii	.....	D18/40
D524,359 S *	7/2006	Karakama	.....	D18/40
D546,382 S *	7/2007	Noh	.....	D18/43
D565,094 S *	3/2008	Sasaki	.....	D18/43
D583,860 S *	12/2008	Kubota	.....	D18/43
D584,343 S *	1/2009	Kwon	.....	D18/43
D588,190 S *	3/2009	Kamimura	.....	D18/43
D596,663 S *	7/2009	Kamimura	.....	D18/43
D599,846 S	9/2009	Yasui et al.		
D614,691 S *	4/2010	Abe	.....	D18/43
D622,308 S *	8/2010	Kubota	.....	D18/43
D622,309 S *	8/2010	Kubota	.....	D18/43

D631,088 S	1/2011	Chadani et al.		
D631,089 S	1/2011	Chadani et al.		
D631,090 S	1/2011	Chadani et al.		
D631,091 S	1/2011	Chadani et al.		
D632,731 S *	2/2011	Abe	.....	D18/43
D633,137 S	2/2011	Chadani et al.		
D638,056 S	5/2011	Kanno et al.		
D638,057 S	5/2011	Kanno et al.		
D639,335 S	6/2011	Kanno et al.		
D639,846 S	6/2011	Kanno et al.		
D652,862 S *	1/2012	Mori	.....	D18/43
8,275,285 B2 *	9/2012	Kawakami	.....	G03G 21/1842 399/107
D718,379 S *	11/2014	Sakuma	.....	D18/43
D786,962 S	5/2017	Toba et al.		
D786,968 S	5/2017	Uratani et al.		
D791,224 S	7/2017	Toba et al.		
D791,862 S	7/2017	Toba et al.		
D796,574 S	9/2017	Kamoshida et al.		
D798,948 S	10/2017	Toba et al.		
D798,949 S	10/2017	Toba et al.		
D807,955 S	1/2018	Toba et al.		
D823,380 S *	7/2018	Uratani	.....	D18/43
D823,938 S *	7/2018	Uratani	.....	D18/43
2007/0071496 A1 *	3/2007	Lee	.....	G03G 21/1853 399/111

OTHER PUBLICATIONS

Copending, unpublished Design U.S. Appl. No. 29/546,566 to Shinjiro Toba, et al., filed Nov. 24, 2015.  
 Copending, unpublished Design U.S. Appl. No. 29/586,991 to Shinjiro Toba, et al., filed Dec. 8, 2016.  
 Copending, unpublished Design U.S. Appl. No. 29/546,569 to Shinjiro Toba, et al., filed Nov. 24, 2015.  
 Copending, unpublished Design U.S. Appl. No. 29/552,153 to Shunsuke Uratani, et al., filed Jan. 20, 2016.  
 Copending, unpublished Design U.S. Appl. No. 29/552,142 to Shunsuke Uratani, et al., filed Jan. 20, 2016.  
 Copending, unpublished Design U.S. Appl. No. 29/552,140 to Shigemi Kamoshida, et al., filed Jan. 20, 2016.

\* cited by examiner

Fig. 1

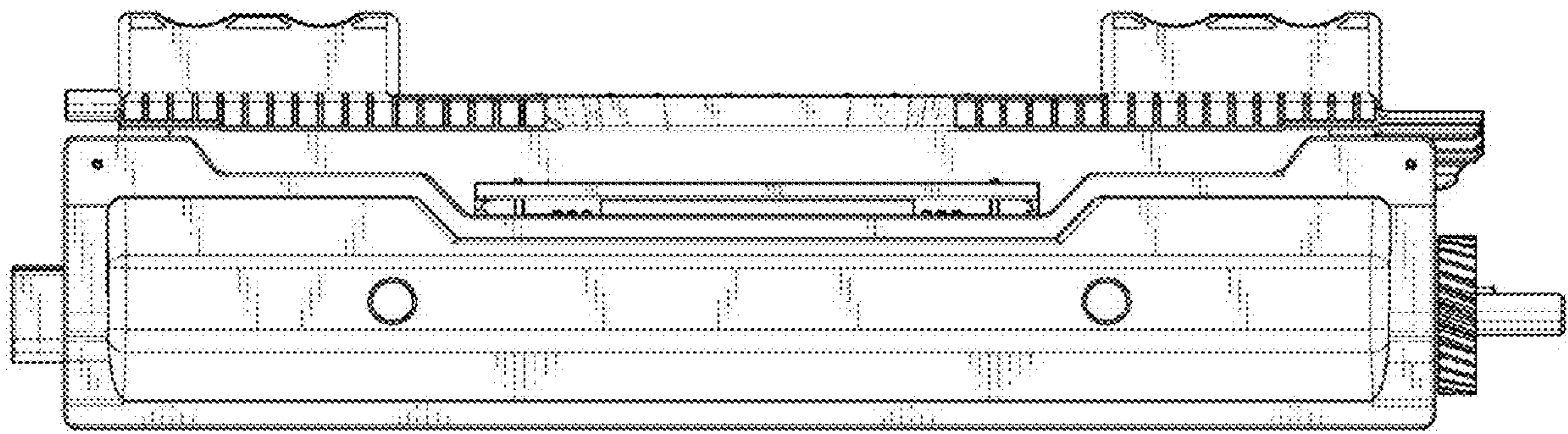


Fig. 2

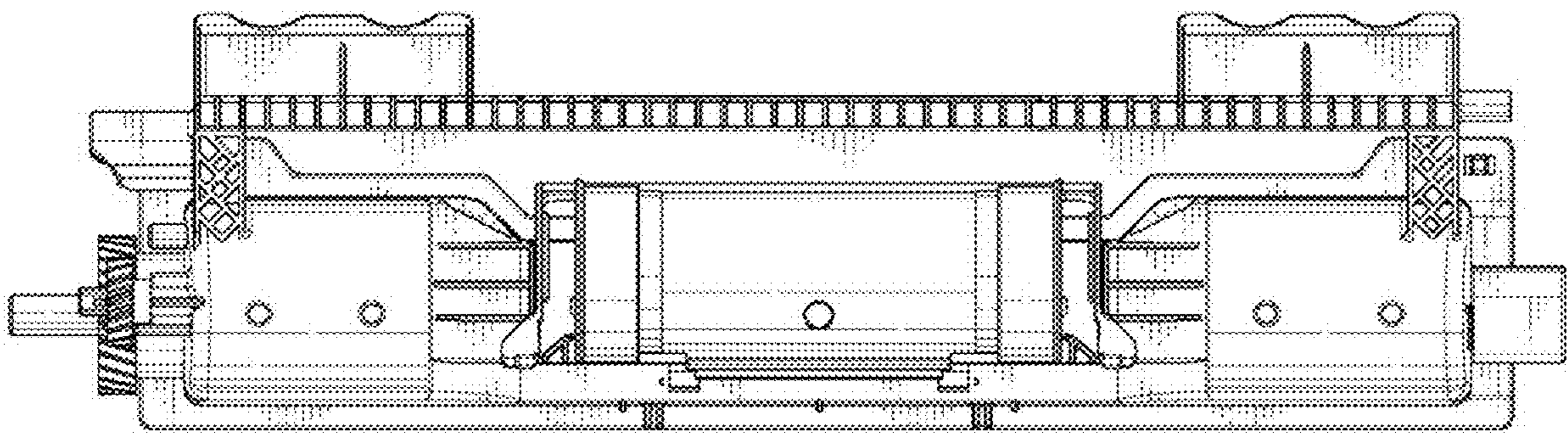


Fig. 3



Fig. 4

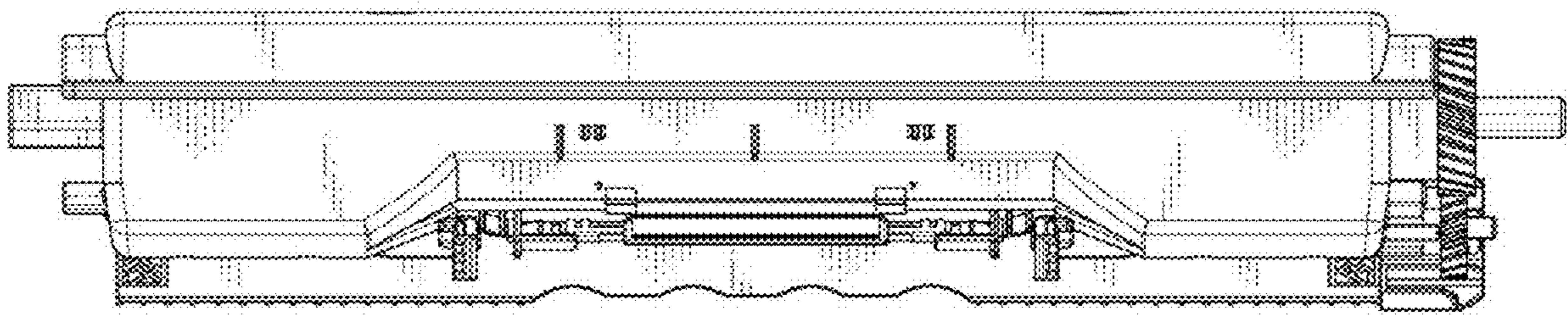


Fig. 5

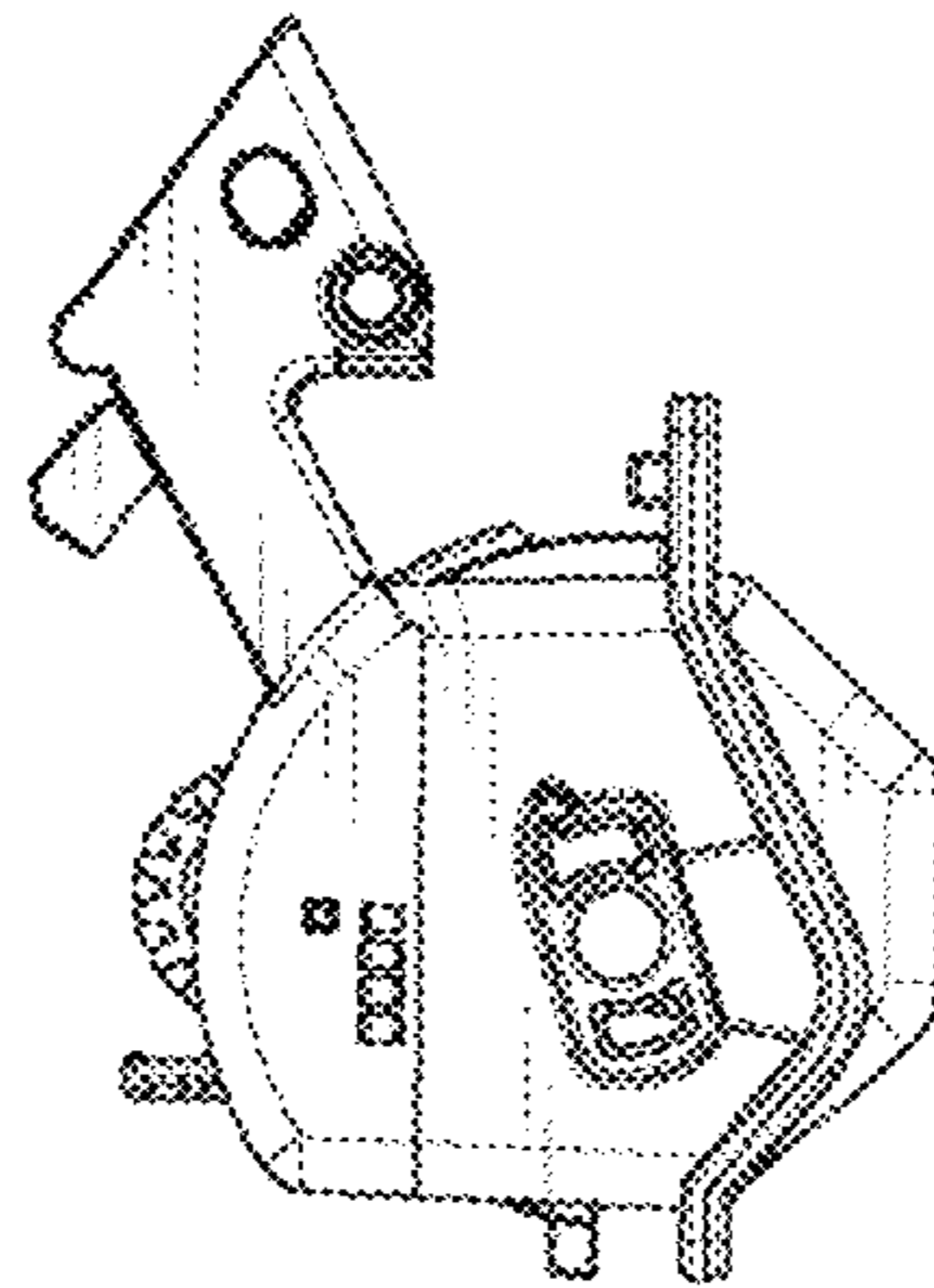


Fig. 6

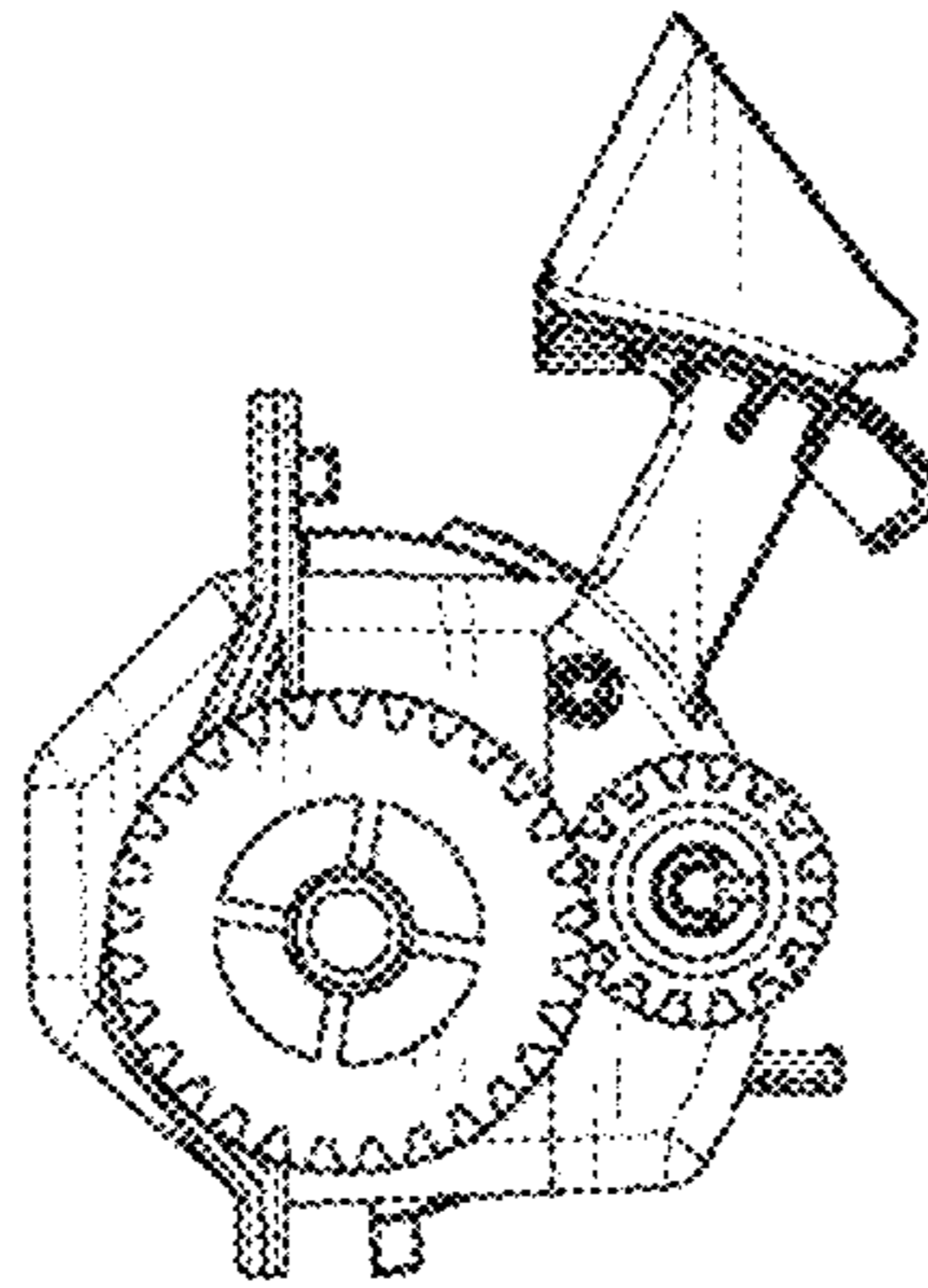




Fig. 7

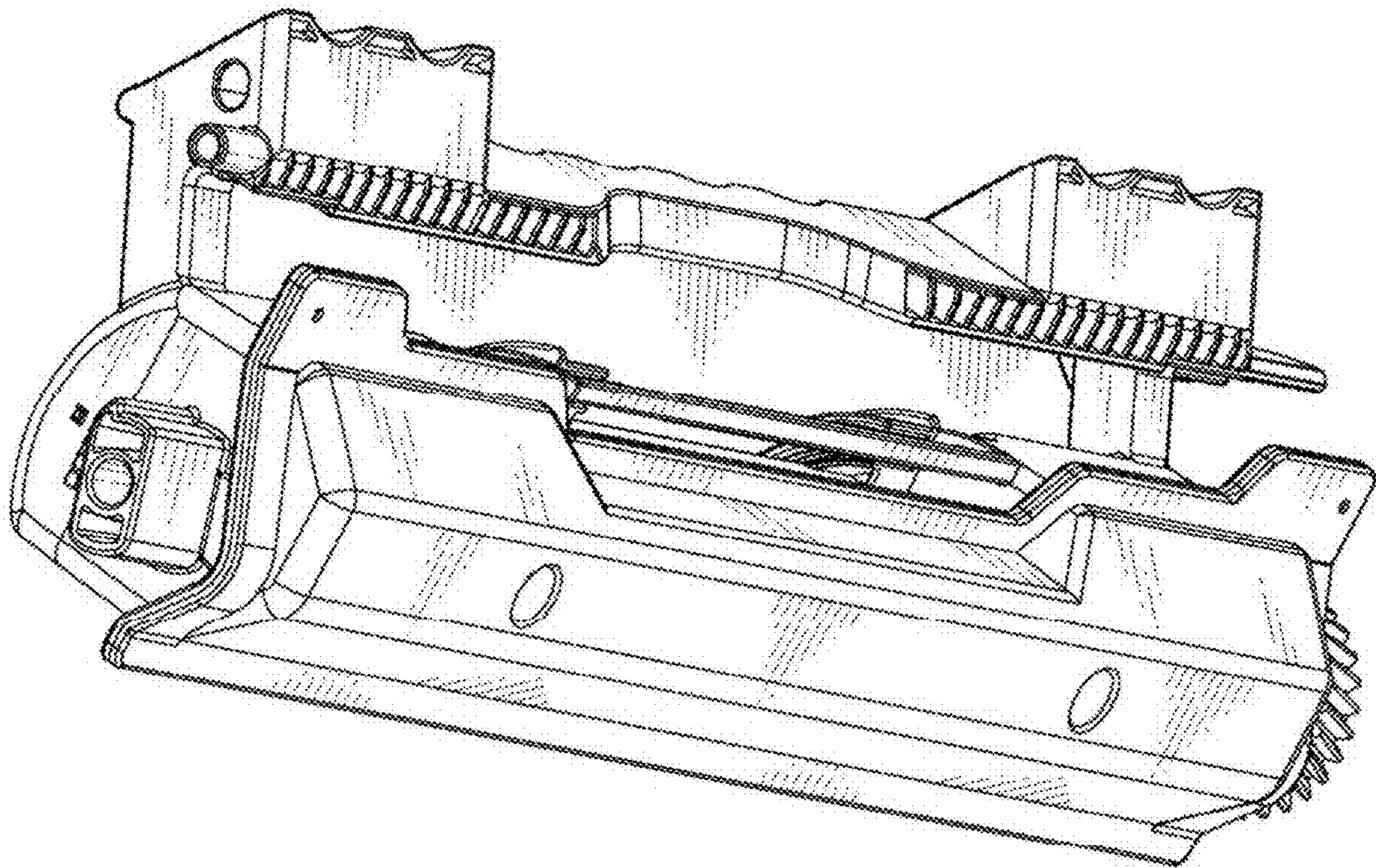


Fig. 8

