



US00D873330S

(12) **United States Design Patent**
Chen et al.

(10) **Patent No.:** **US D873,330 S**
(45) **Date of Patent:** **** Jan. 21, 2020**

- (54) **SMART GLASSES**
- (71) Applicant: **Lenovo (Beijing) Co., Ltd.**, Beijing (CN)
- (72) Inventors: **Jianyu Chen**, Beijing (CN); **Lin Xie**, Beijing (CN)
- (73) Assignee: **Lenovo (Beijing) Co., Ltd.**, Beijing (CN)

- 4,877,320 A * 10/1989 Holden A61F 9/02 351/44
- 5,532,767 A * 7/1996 Pleune G02C 3/003 351/118
- D729,303 S * 5/2015 Laperriere D16/326
- D736,303 S * 8/2015 Yu D16/309
- D741,323 S * 10/2015 Bosveld D14/372
- D771,176 S * 11/2016 Liu D16/300
- D771,736 S * 11/2016 Nuovo D16/312

(Continued)

(**) Term: **15 Years**

(21) Appl. No.: **29/699,158**

(22) Filed: **Jul. 23, 2019**

Related U.S. Application Data

(62) Division of application No. 29/626,636, filed on Nov. 17, 2017.

(30) **Foreign Application Priority Data**

Jul. 19, 2017 (CN) 2017 3 0321060

(51) **LOC (12) Cl.** **16-06**

(52) **U.S. Cl.**
USPC **D16/312**

(58) **Field of Classification Search**
USPC D16/101, 300-342, 900; D29/109-110; D21/483, 659-661; D14/372
CPC G02C 2200/08; G02C 1/06; G02C 5/14; G02C 11/02; G02C 11/04; G02C 5/16; G02C 2200/22; G02C 5/146; G02C 5/2254; G02C 5/008; G01C 5/16; A61M 2021/0044; A63B 33/002; G02B 27/2228
See application file for complete search history.

(56) **References Cited**

U.S. PATENT DOCUMENTS

- 3,458,866 A * 8/1969 Man De G02C 5/008 16/228
- 4,689,838 A * 9/1987 Angermann G02C 1/08 2/436

OTHER PUBLICATIONS

Star Wars: AR Device, reviewed 2018, [online], [site visited Apr. 9, 2019]. Available from Internet, <URL: <https://www.lenovo.com/us/en/virtual-reality-and-smart-devices/virtual-and-augmented-reality/star-wars%3A-jedi-challenges/Lenovo-AR-7561/p/ZA390000US?gclid=CjwKCAjwhbHIBRAMEiwAoDA345qzkhPnmPljT>> (Year: 2018).*

Primary Examiner — Michelle E. Wilson

Assistant Examiner — Sanjeev Paul

(74) *Attorney, Agent, or Firm* — Oppedahl Patent Law Firm LLC

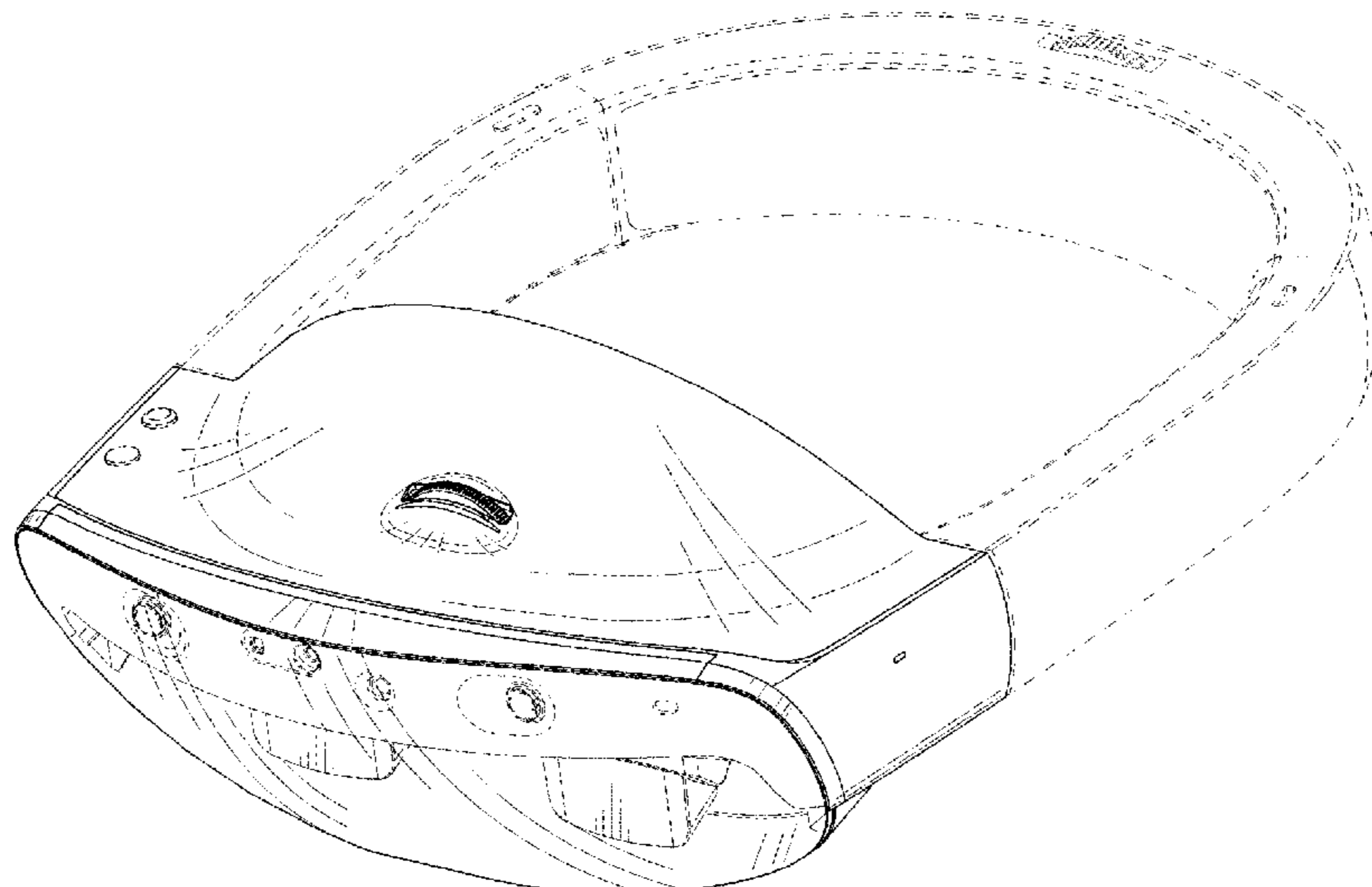
(57) **CLAIM**

The ornamental design for a smart glasses, as shown and described.

DESCRIPTION

FIG. 1 is a front view of a smart glasses showing the new design;
FIG. 2 is a back view thereof;
FIG. 3 is a left side view thereof;
FIG. 4 is a right side view thereof;
FIG. 5 is a top view thereof;
FIG. 6 is a bottom view thereof; and,
FIG. 7 is a perspective view thereof.
The broken lines shown in the drawings illustrate portions of the smart glasses that form no part of the claimed design.

1 Claim, 5 Drawing Sheets



(56)

References Cited

U.S. PATENT DOCUMENTS

D773,552 S *	12/2016	Champ	D16/312	D834,087 S *	11/2018	Yoo	D16/313
D776,110 S *	1/2017	Gribetz	D14/372	D834,755 S *	11/2018	Schempp	D29/110
D784,441 S *	4/2017	Garfias	D16/312	D836,628 S *	12/2018	Chen	D14/372
D792,401 S *	7/2017	Tang	D14/372	D838,718 S *	1/2019	Chiang	D14/372
D798,862 S *	10/2017	Wang	D14/372	D839,269 S *	1/2019	Wang	D14/372
D800,726 S *	10/2017	Su	D14/372	D839,871 S *	2/2019	Wei	D14/372
D805,071 S *	12/2017	Park	D14/372	D840,397 S *	2/2019	Li	D14/372
D805,122 S *	12/2017	Curbbun	D16/325	D840,399 S *	2/2019	Miller	D14/372
D806,074 S *	12/2017	Kuwahara	D14/372	D841,078 S *	2/2019	Liao	D16/309
D806,710 S *	1/2018	Chen	D14/372	D842,300 S *	3/2019	Chiang	D14/372
D807,356 S *	1/2018	Chou	D14/372	D844,605 S *	4/2019	Yeh	D14/372
D810,081 S *	2/2018	Lin	D14/372	D854,075 S *	7/2019	Carver	D16/301
D812,612 S *	3/2018	Gribetz	D14/372	D857,692 S *	8/2019	Conlee, IV	D14/372
D813,233 S *	3/2018	Lee	D14/372	D857,693 S *	8/2019	Natsume	D14/372
D816,670 S *	5/2018	Hsu	D14/372	2005/0270475 A1 *	12/2005	Curci	G02C 5/04 351/69
D818,031 S *	5/2018	Garfias	D16/314	2007/0200999 A1 *	8/2007	Lee	G02C 11/04 351/158
D819,634 S *	6/2018	Pang	D14/372	2012/0002158 A1 *	1/2012	Jirsa	G02C 1/02 351/52
D819,635 S *	6/2018	Miller	D14/372	2012/0215291 A1 *	8/2012	Pugh	A61M 21/02 607/93
D819,636 S *	6/2018	Chen	D14/372	2016/0062138 A1 *	3/2016	Coty	G02C 5/001 351/159.75
D820,259 S *	6/2018	Lee	D14/372	2017/0102562 A1 *	4/2017	Ban	G06F 3/14
D822,659 S *	7/2018	Spio	D14/372	2018/0107027 A1 *	4/2018	Windham	G02C 11/04
D825,560 S *	8/2018	Gribetz	D14/372	2018/0280656 A1 *	10/2018	Cole	A61M 21/00
D827,015 S *	8/2018	Chen	D16/312	2019/0113773 A1 *	4/2019	Langenwalter	G02C 3/003
D827,642 S *	9/2018	Liu	D14/372				
D828,866 S *	9/2018	Yoo	D16/313				
D831,027 S *	10/2018	Kim	D14/372				
D834,017 S *	11/2018	Beynel	D14/372				

* cited by examiner

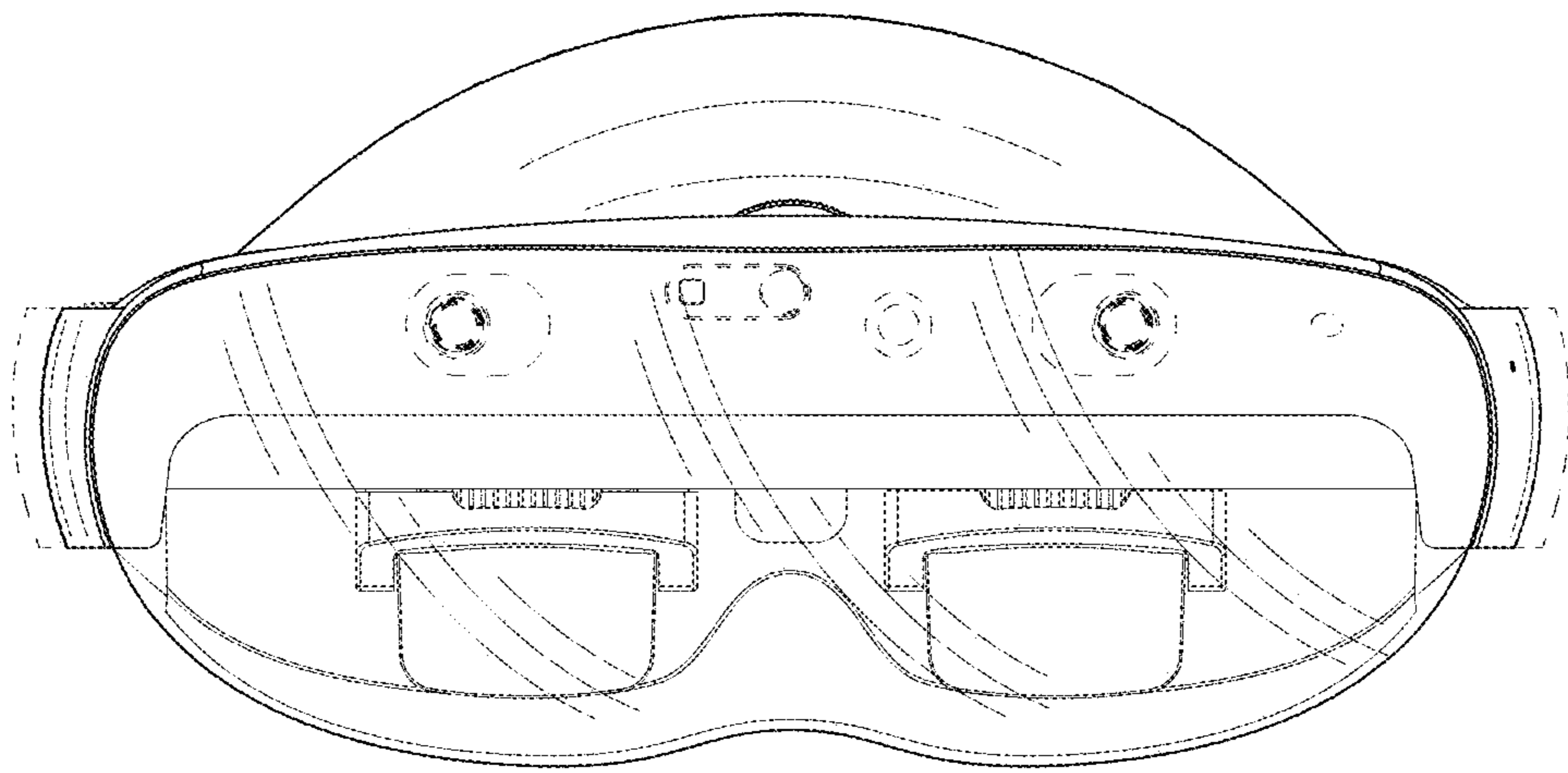


Fig. 1

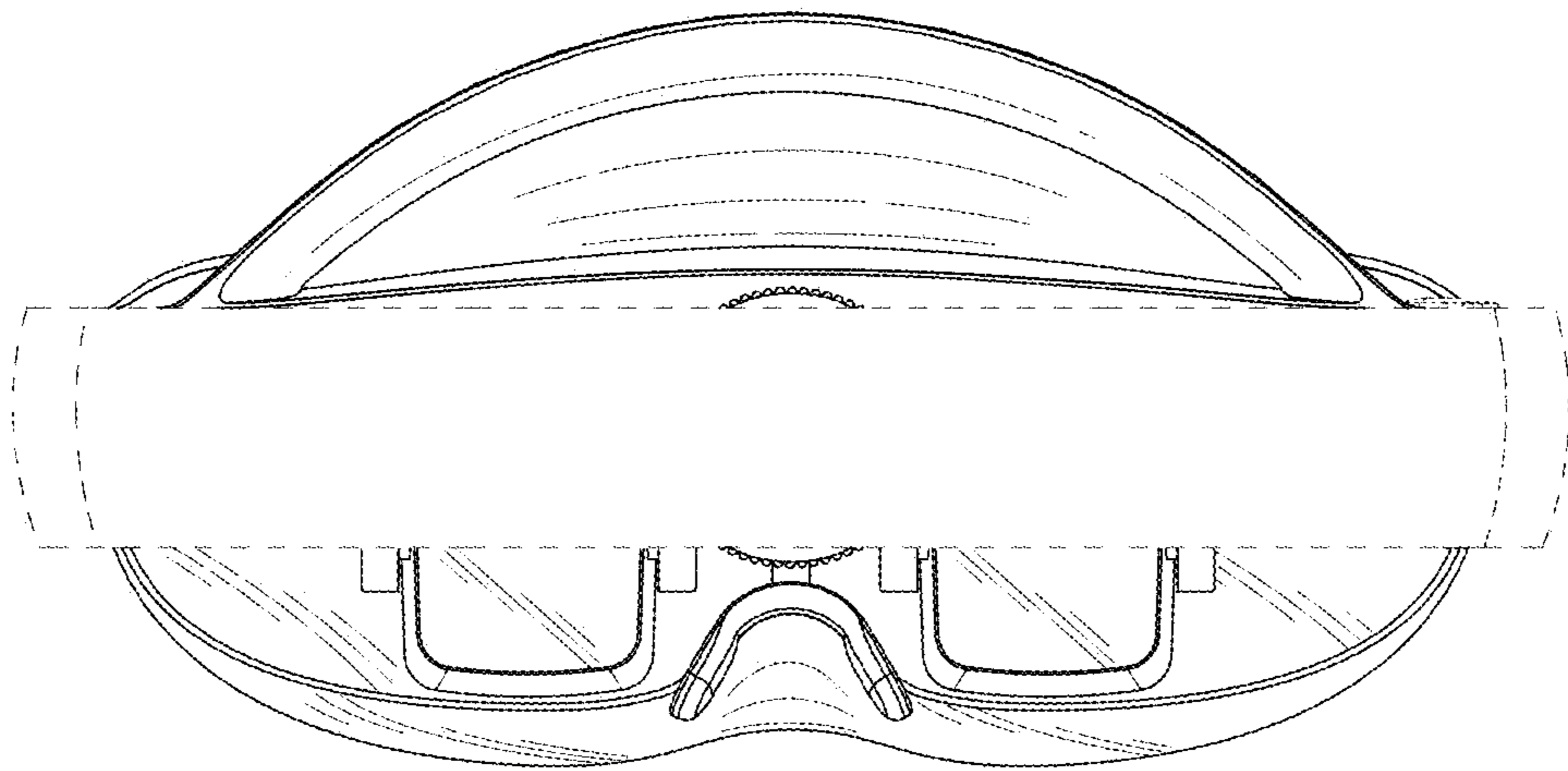


Fig. 2

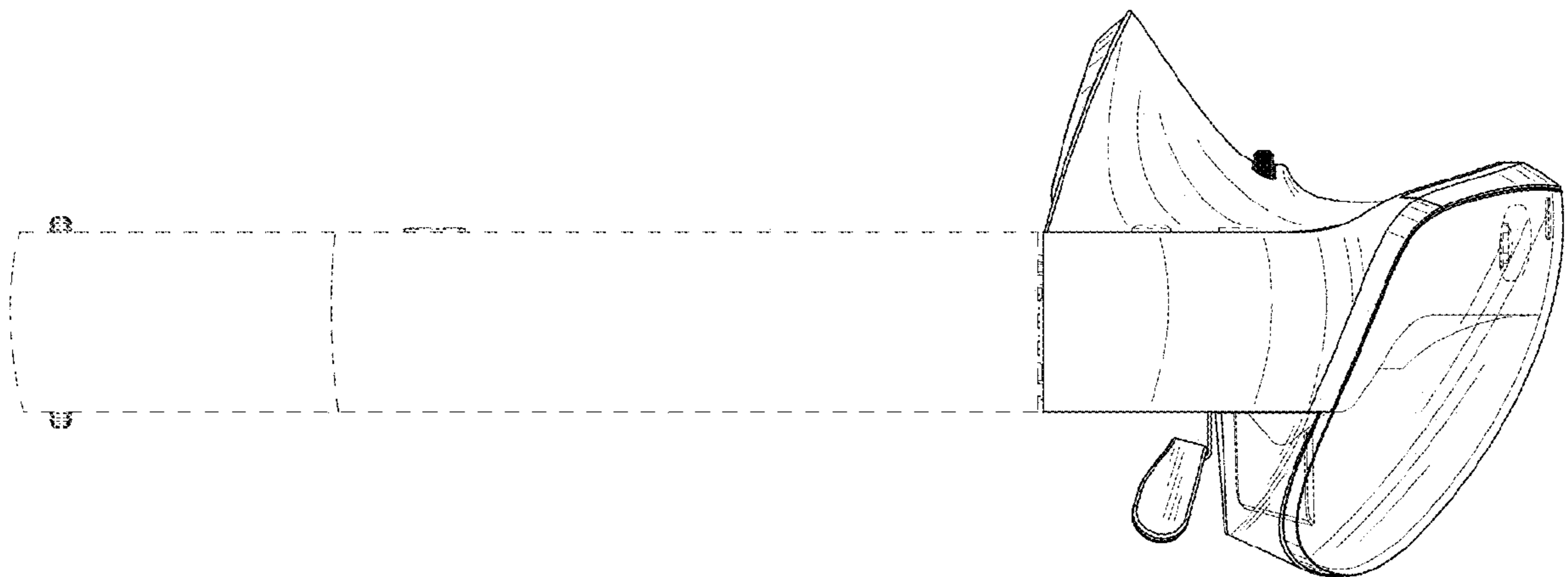


Fig. 3

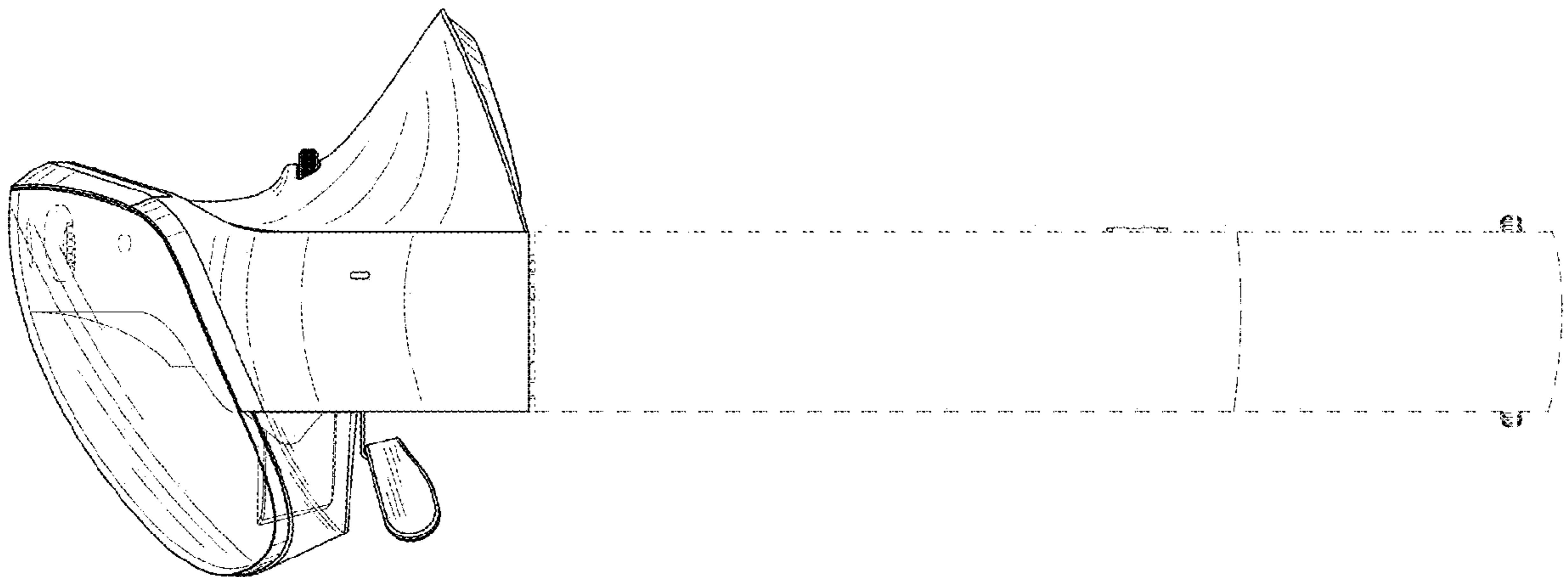


Fig. 4

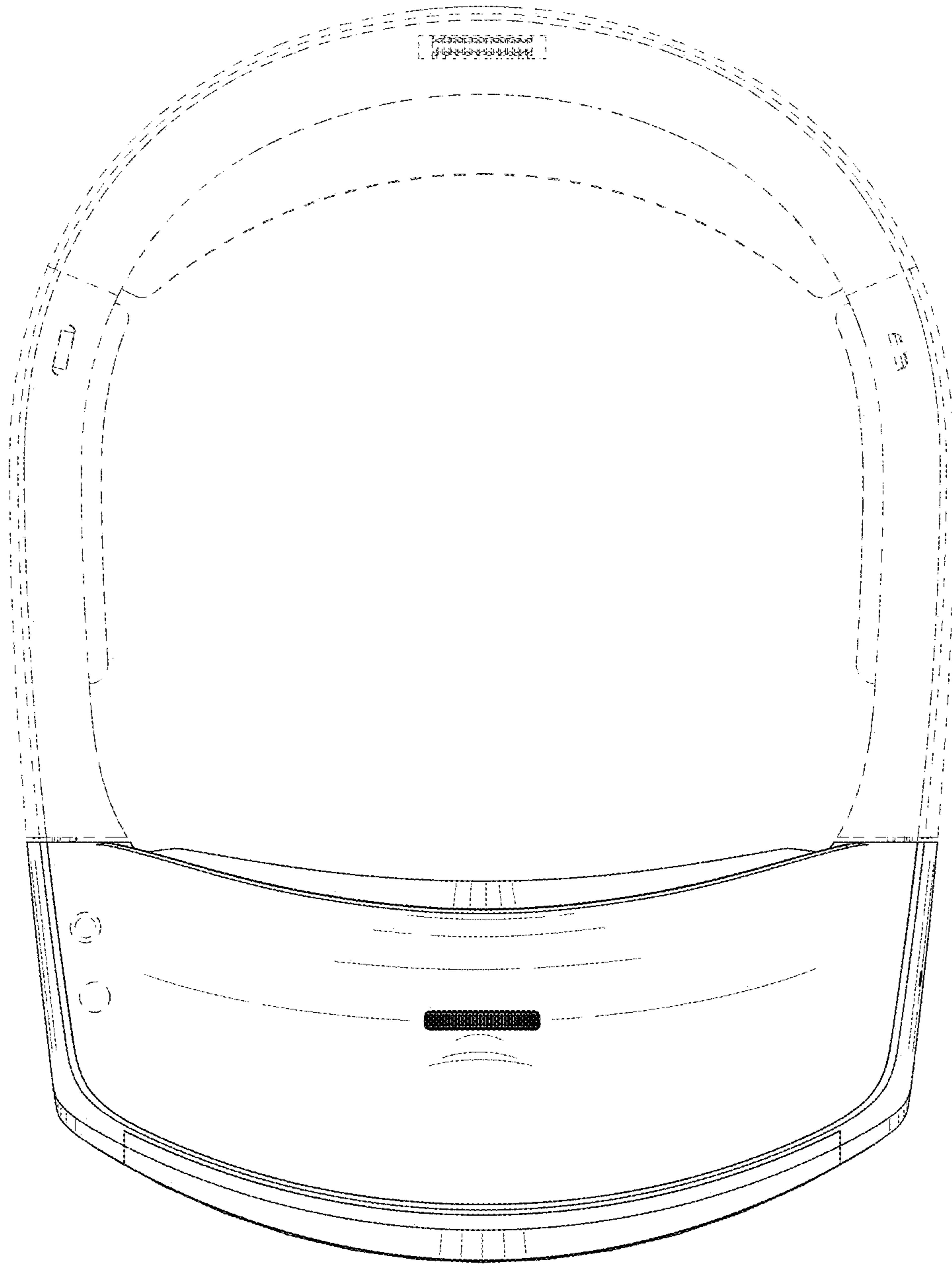


Fig. 5

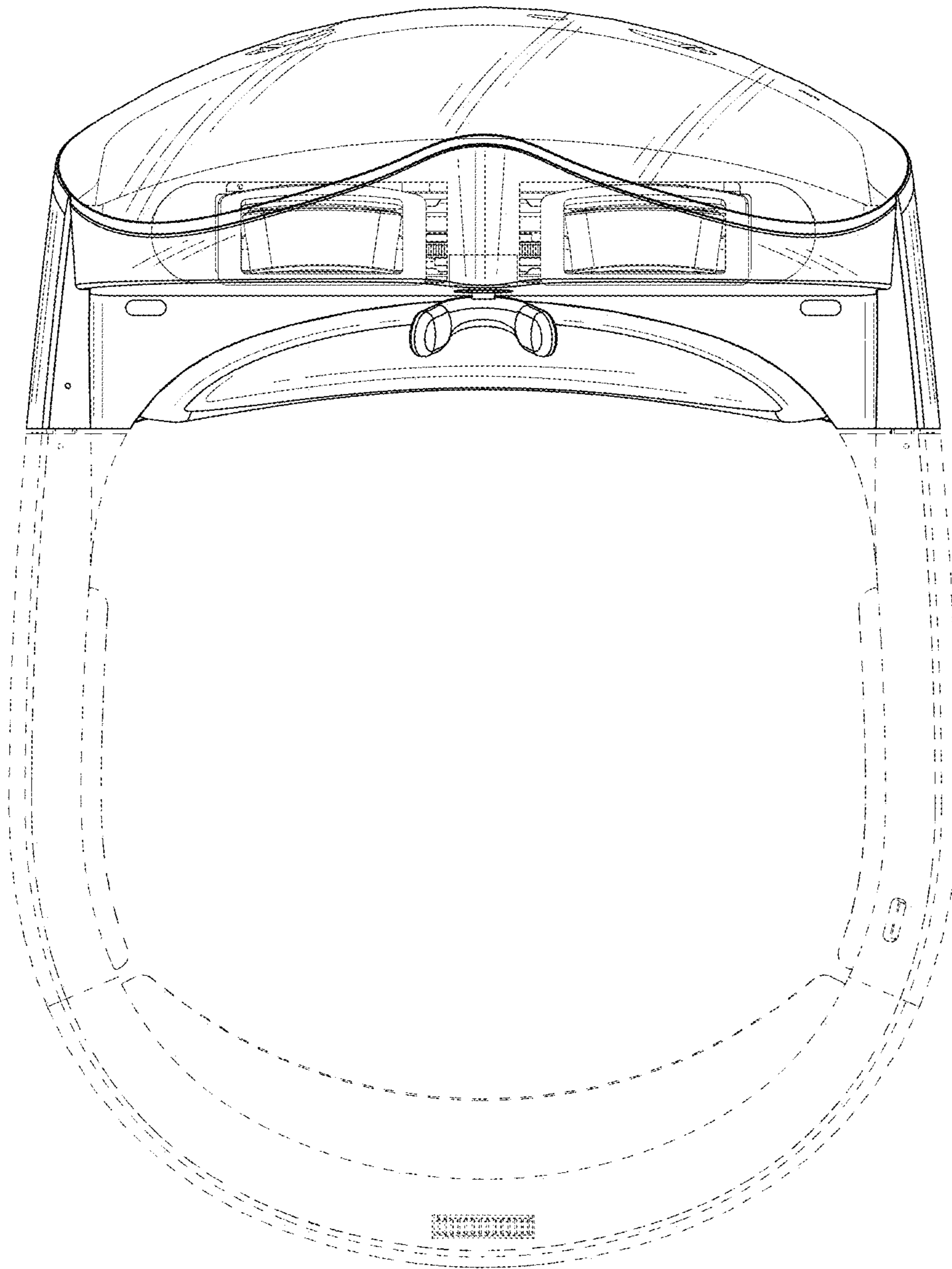


Fig. 6

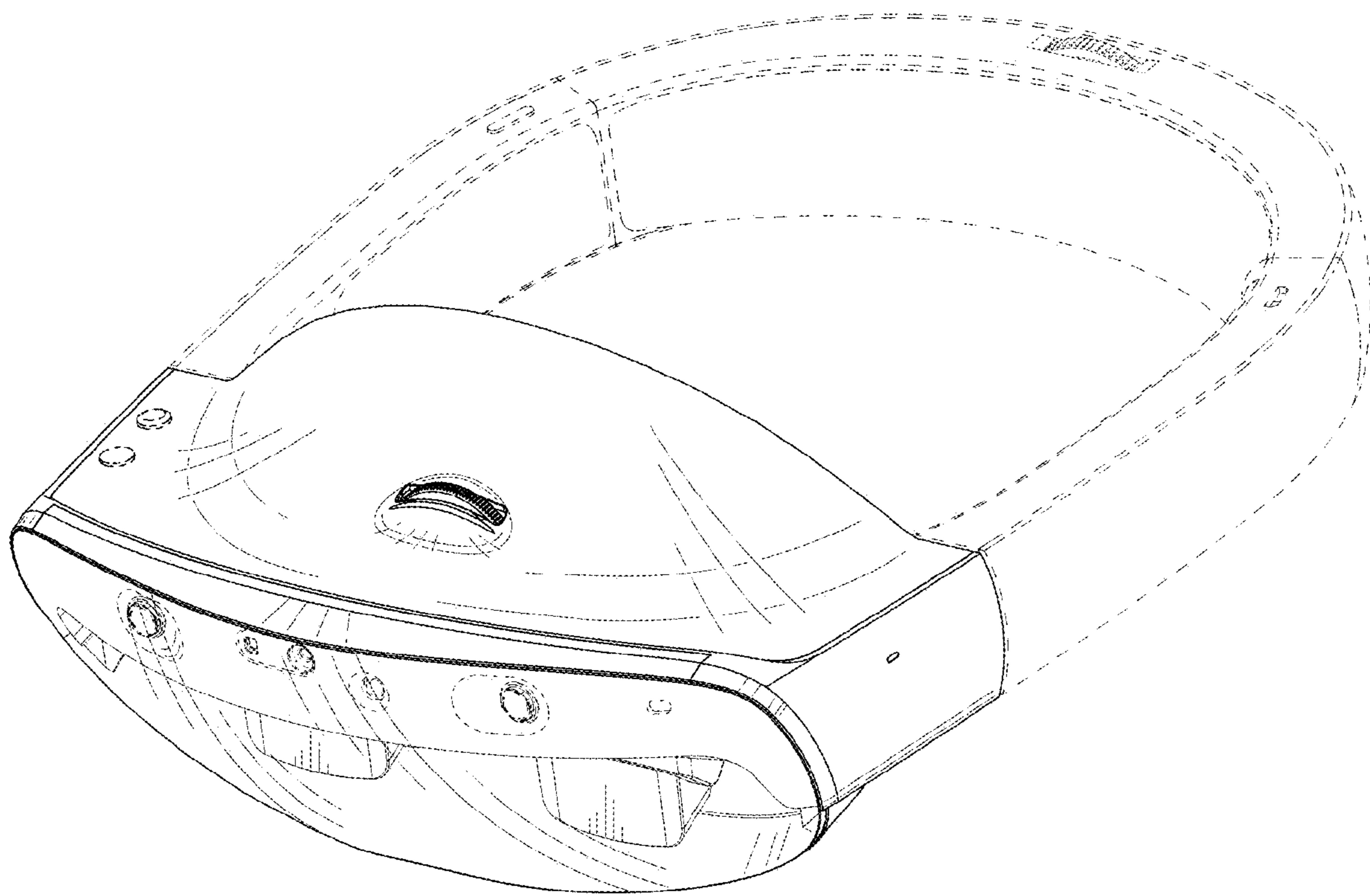


Fig. 7