



US00D873327S

(12) **United States Design Patent**  
**Weber et al.**

(10) **Patent No.:** **US D873,327 S**

(45) **Date of Patent:** **\*\* Jan. 21, 2020**

(54) **OBJECTIVE LENS**

(71) Applicant: **Carl Zeiss AG**, Oberkochen (DE)

(72) Inventors: **Uwe Weber**, Aalen (DE); **Christophe Casenave**, Aalen (DE)

(73) Assignee: **Carl Zeiss AG**, Oberkochen (DE)

(\*\*) Term: **15 Years**

(21) Appl. No.: **29/664,549**

(22) Filed: **Sep. 26, 2018**

(30) **Foreign Application Priority Data**

Mar. 26, 2018 (EM) ..... 005108008-0003

(51) **LOC (12) Cl.** ..... **16-05**

(52) **U.S. Cl.**  
USPC ..... **D16/219**

(58) **Field of Classification Search**  
USPC ..... D16/134, 136, 200, 202–205, 218, 219,  
D16/235, 242; 348/373–376;  
359/826–828; 396/529–532, 535,  
396/539–541

CPC ..... G03B 17/02; G03B 19/04; G03B 17/56;  
G03B 17/04; G03B 15/03; G03B 17/14;  
H04N 5/2251; H04N 5/2252; H04N  
5/2253; H04N 5/2254; G02B 7/02; G02B  
7/04; G02B 7/14

See application file for complete search history.

(56) **References Cited**

**U.S. PATENT DOCUMENTS**

D562,863 S \* 2/2008 Yasutomi ..... D16/134  
D562,865 S \* 2/2008 Yasutomi ..... D16/134  
D665,837 S \* 8/2012 Tainaka ..... D16/134

D696,709 S \* 12/2013 Sato ..... D16/219  
D718,361 S \* 11/2014 Noh ..... D16/219  
D724,644 S \* 3/2015 Tainaka ..... D16/219  
D737,360 S \* 8/2015 Jung ..... D16/219  
D741,937 S \* 10/2015 Park ..... D16/219  
D783,078 S \* 4/2017 Kim ..... D16/219  
D783,700 S \* 4/2017 Tagawa ..... D16/219  
D831,093 S \* 10/2018 Tokiwa ..... D16/219  
D836,152 S \* 12/2018 Ikegame ..... D16/219  
2015/0116535 A1 \* 4/2015 Wu ..... H04N 9/735  
348/224.1

**FOREIGN PATENT DOCUMENTS**

EM 002736751-0001 7/2015  
EM 004375731-0001 10/2017  
EM 005839339-0001 12/2018  
EM 006454575-0001 5/2019

\* cited by examiner

*Primary Examiner* — Ramzi S Almatrahi

(74) *Attorney, Agent, or Firm* — Falk Ewers; Ewers IP Law PLLC

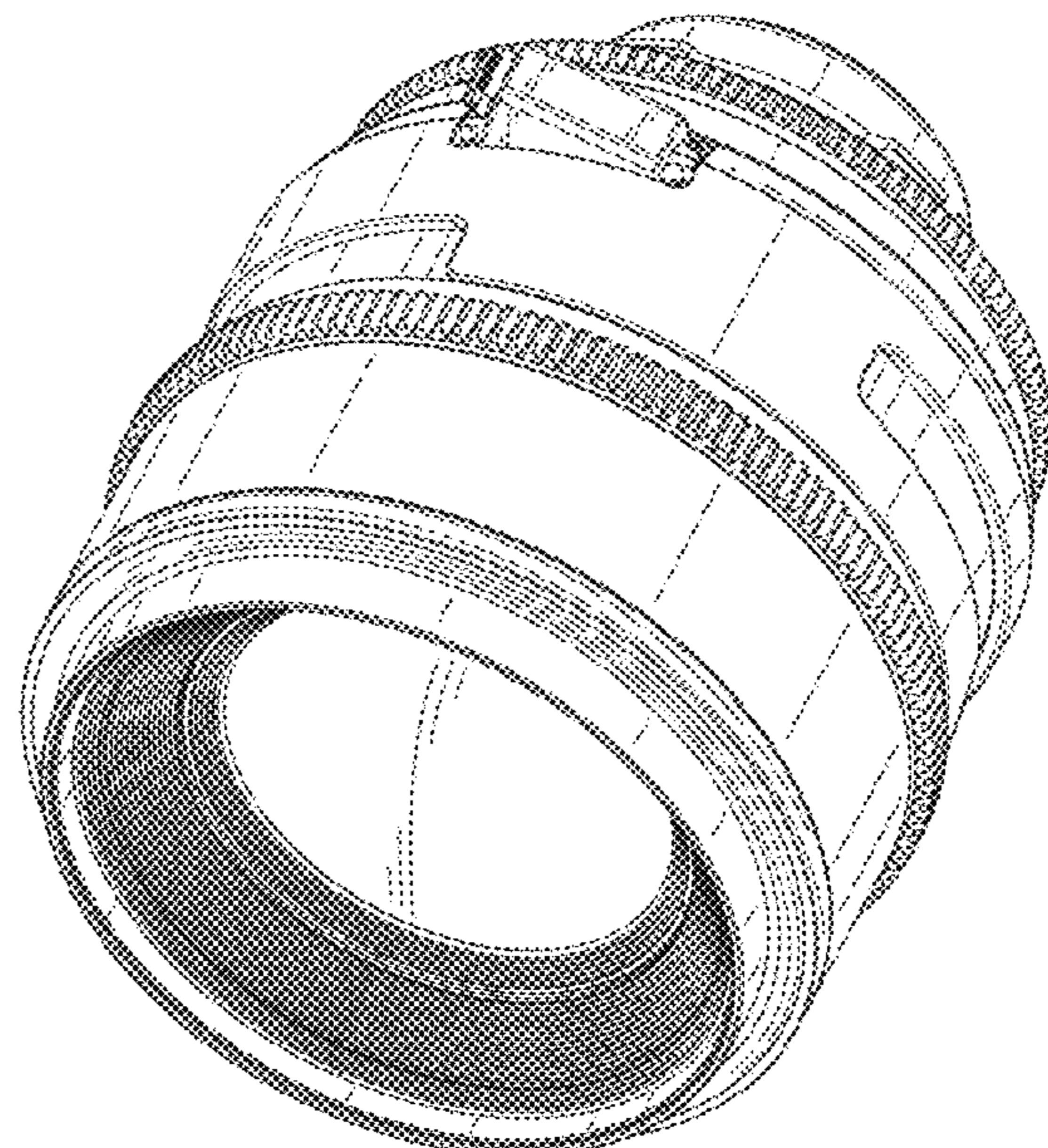
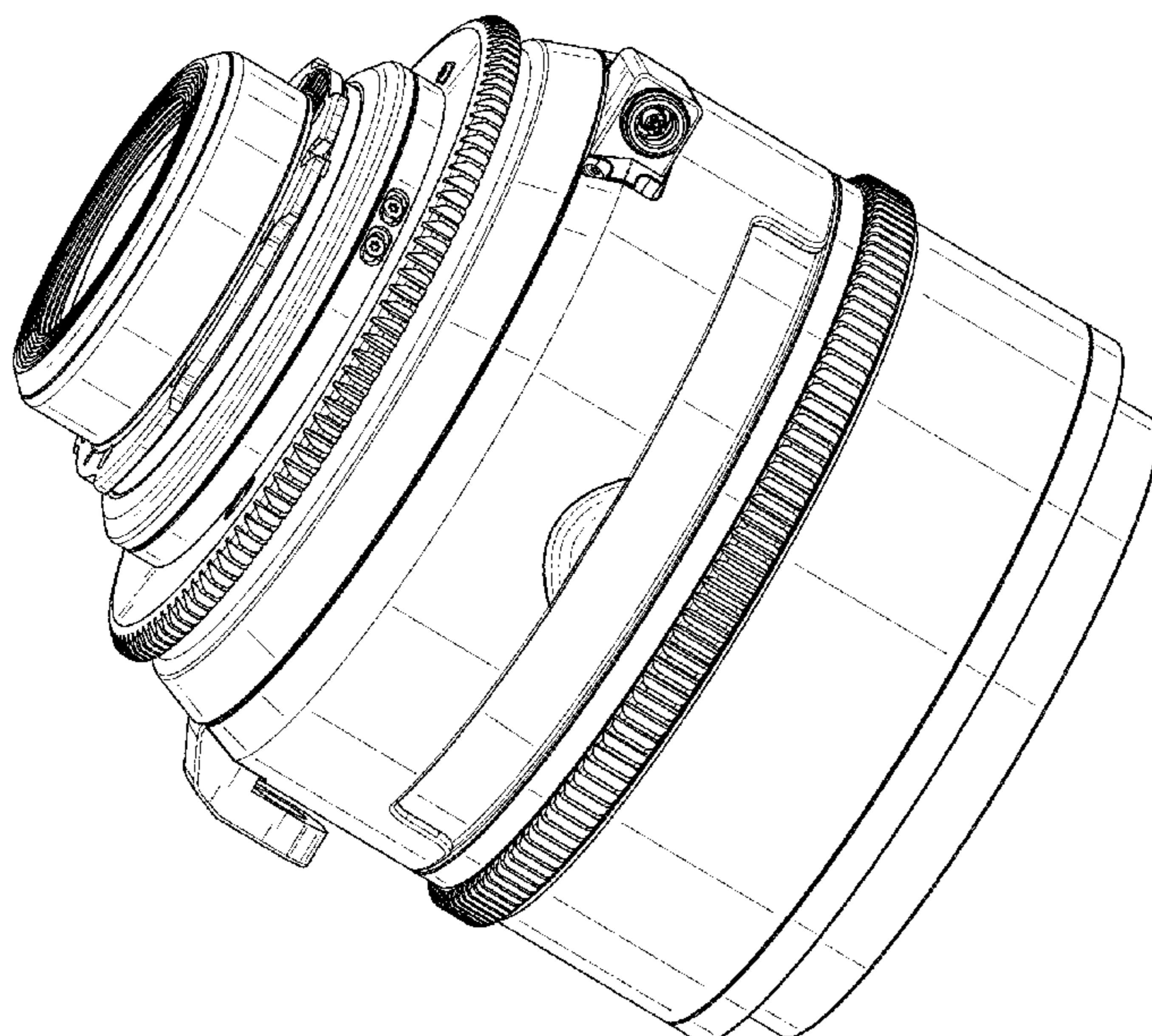
(57) **CLAIM**

The ornamental design for an objective lens, as shown and described.

**DESCRIPTION**

FIG. 1 is a top and right side perspective view of an objective lens showing our new design;  
FIG. 2 is a bottom plan view thereof;  
FIG. 3 is a top plan view thereof;  
FIG. 4 is a right side elevation view thereof;  
FIG. 5 is a left side elevation view thereof;  
FIG. 6 is a rear elevation view thereof;  
FIG. 7 is a front elevation view thereof; and,  
FIG. 8 is a bottom and rear perspective view thereof.

**1 Claim, 8 Drawing Sheets**



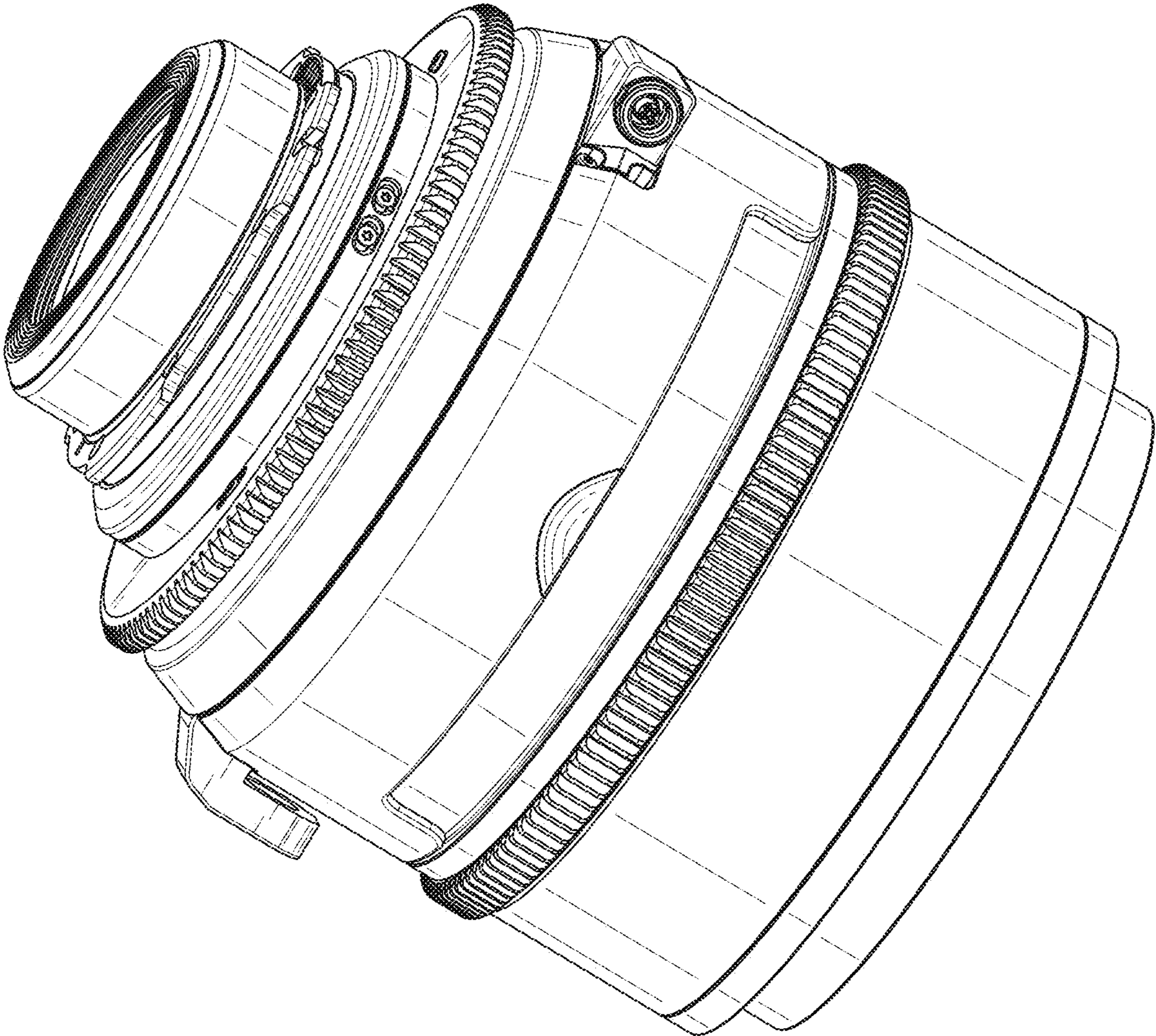


FIG. 1

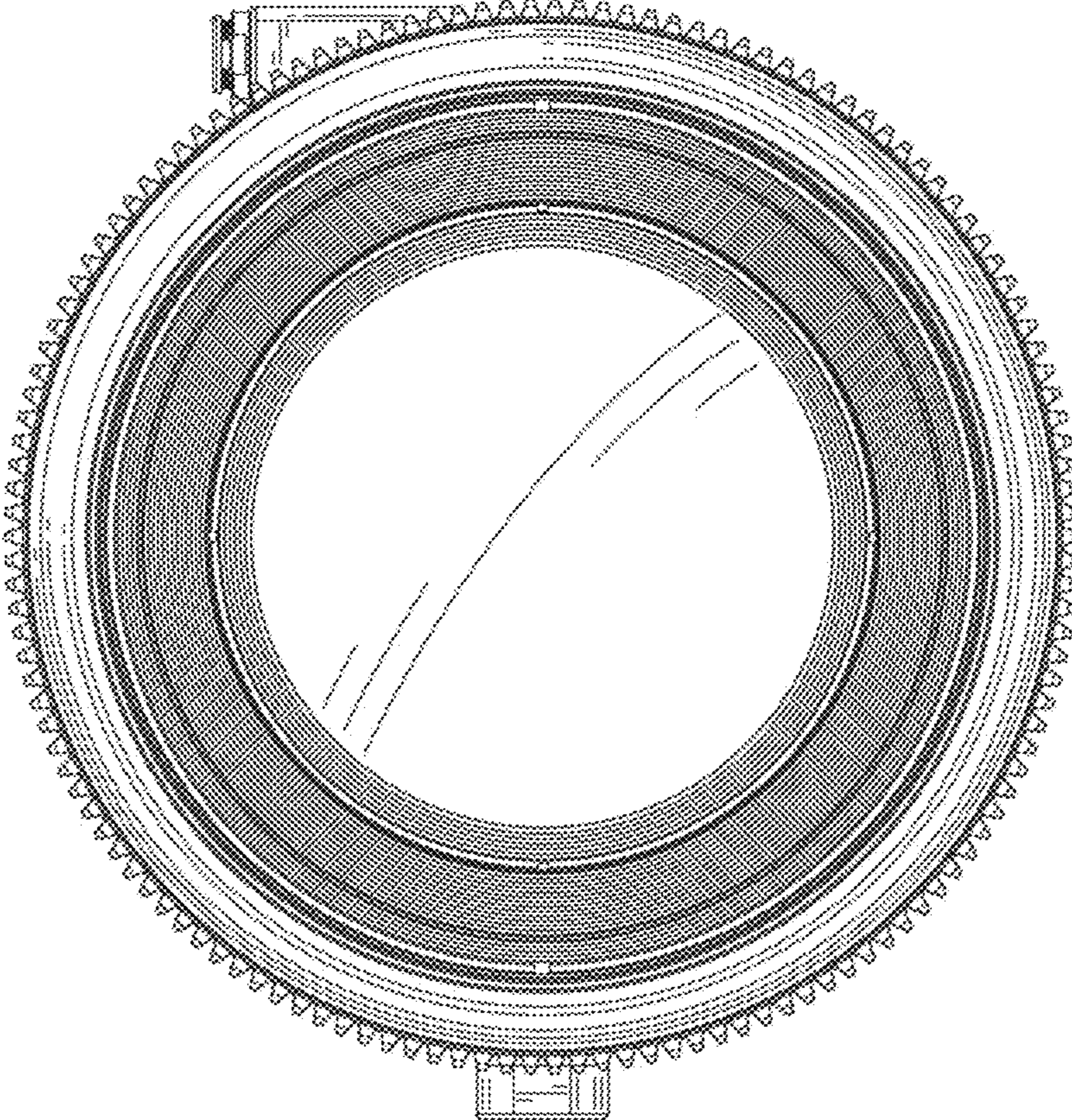


FIG. 2

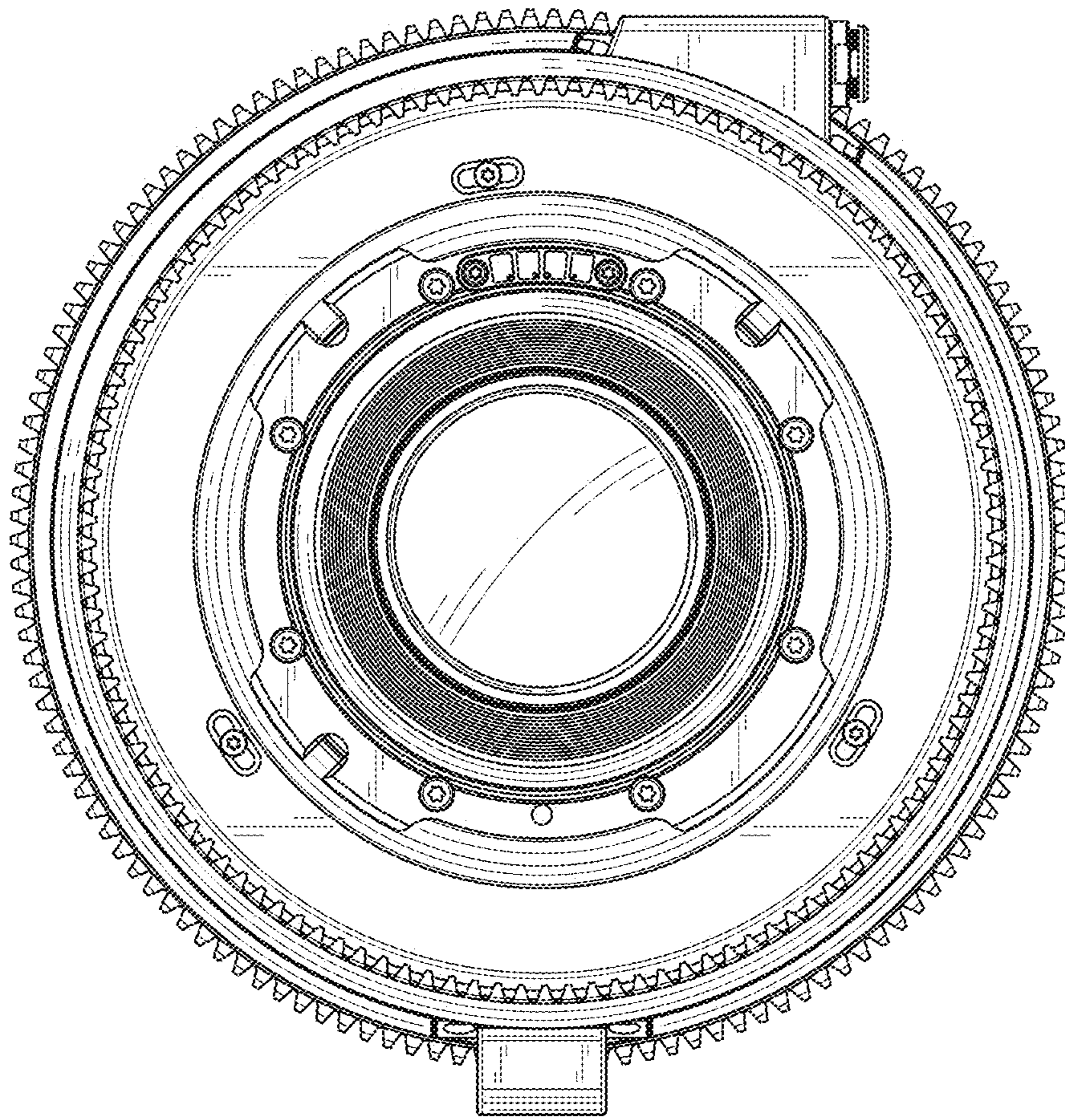


FIG. 3

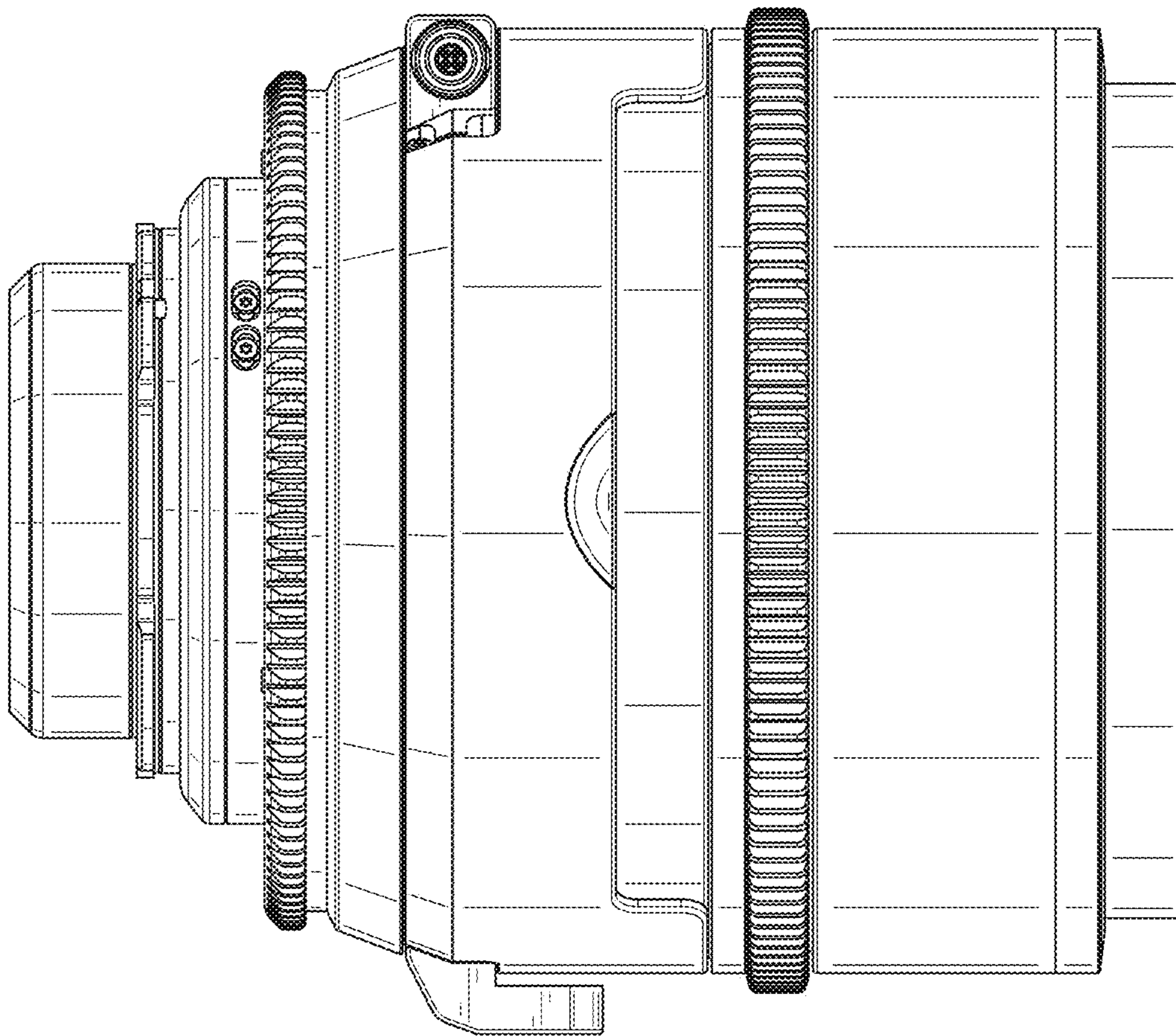


FIG. 4

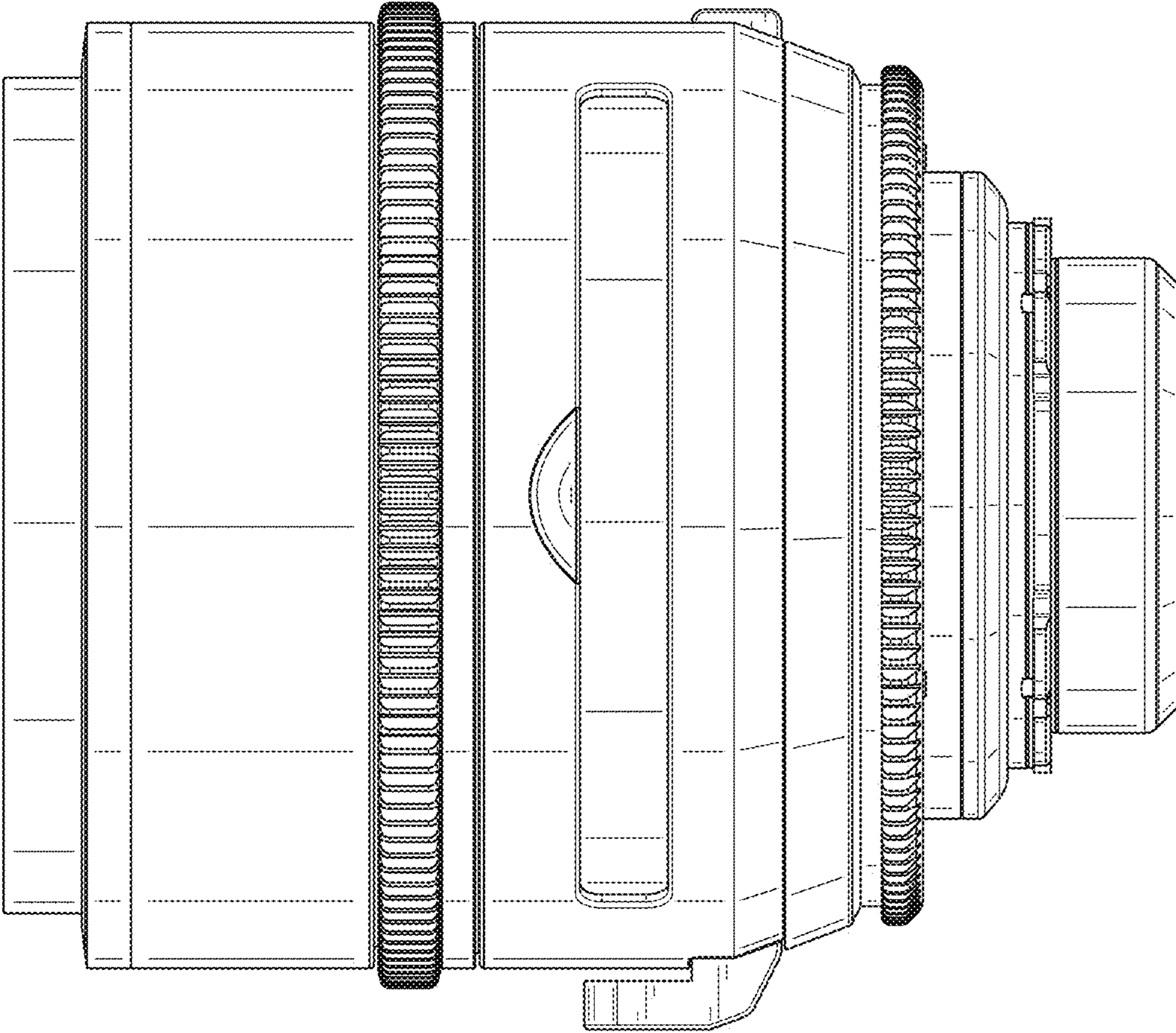


FIG. 5

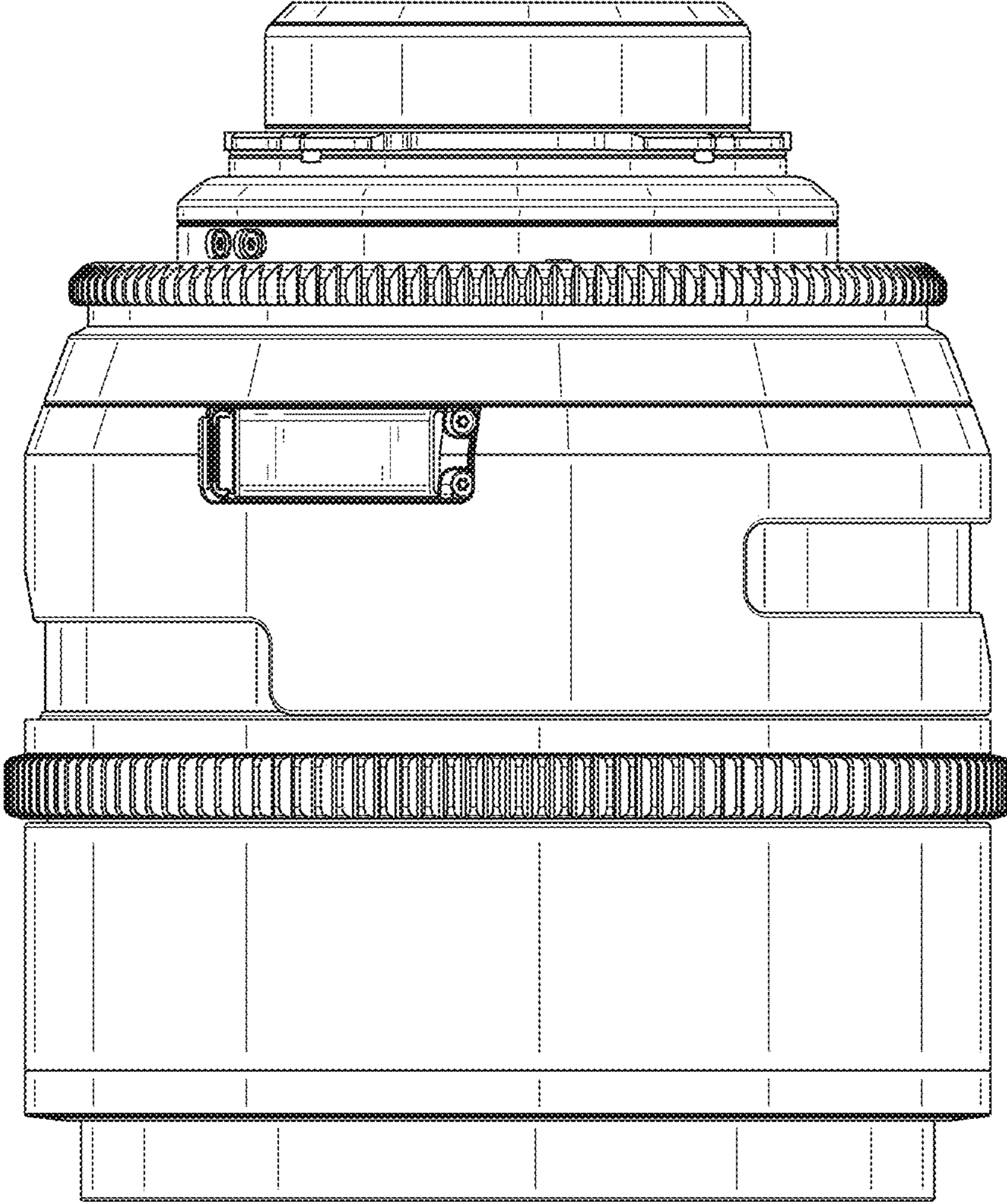


FIG. 6

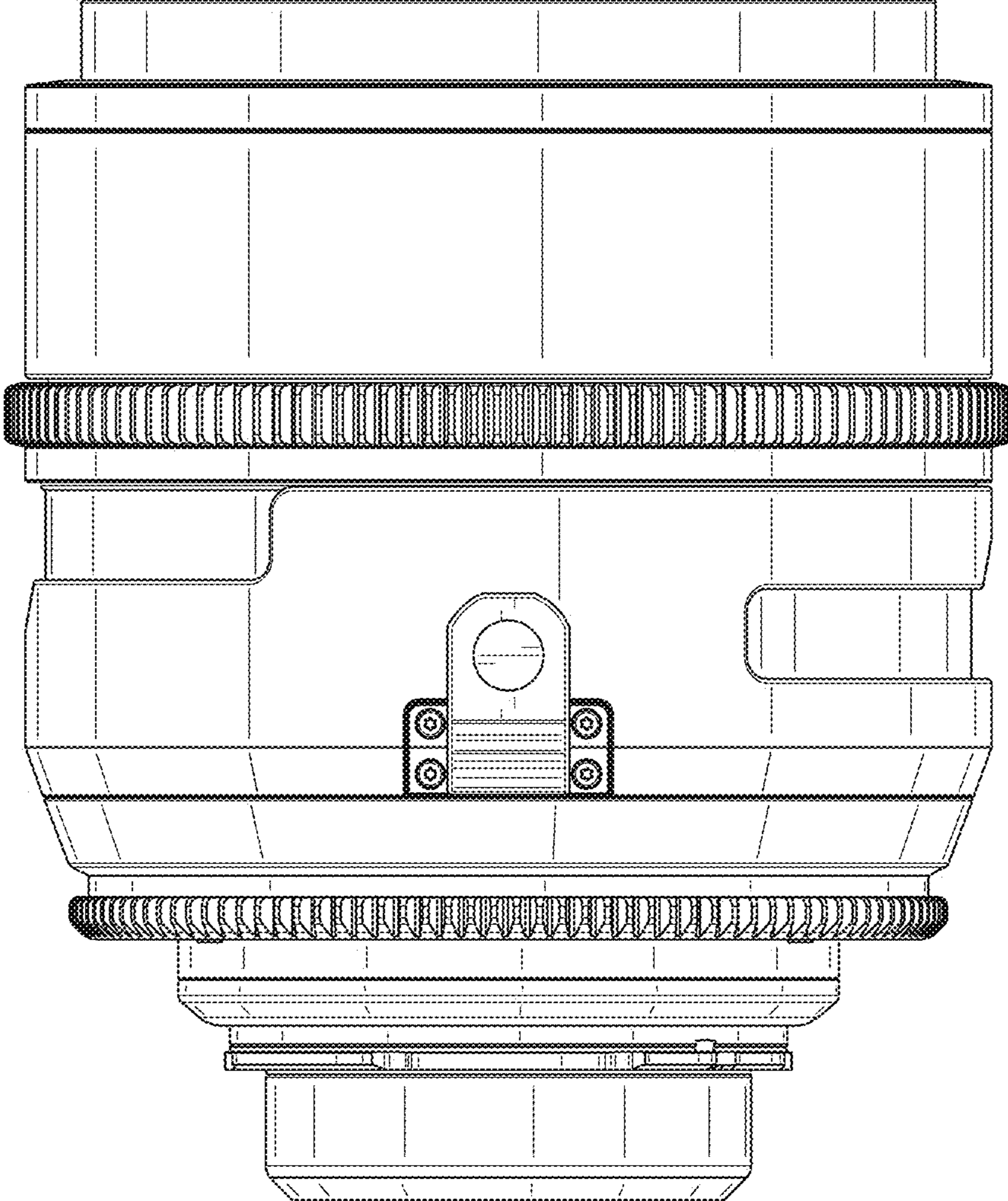


FIG. 7



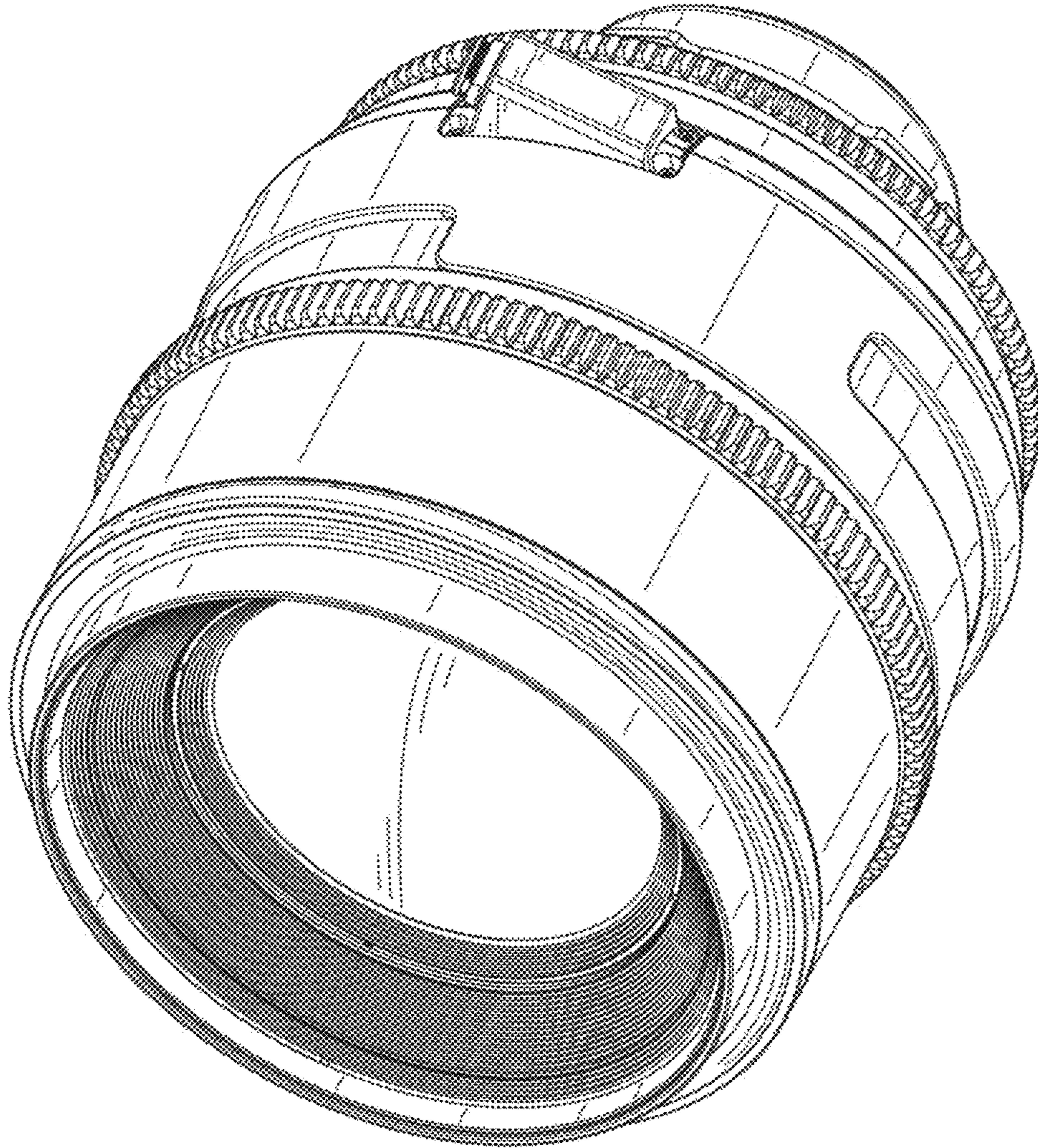


FIG. 8