



US00D873323S

(12) **United States Design Patent** (10) **Patent No.:** **US D873,323 S**  
**Siminoff et al.** (45) **Date of Patent:** **\*\* Jan. 21, 2020**

(54) **SECURITY CAMERA**

(71) Applicant: **AMAZON TECHNOLOGIES, INC.**,  
Seattle, WA (US)

(72) Inventors: **Mark Siminoff**, Mountain View, CA  
(US); **Christopher Loew**, Palo Alto,  
CA (US); **Matthew J. England**, Santa  
Monica, CA (US)

(73) Assignee: **Amazon Technologies, Inc.**, Seattle,  
WA (US)

(\*\*) Term: **15 Years**

(21) Appl. No.: **29/699,330**

(22) Filed: **Jul. 24, 2019**

**Related U.S. Application Data**

(62) Division of application No. 29/658,140, filed on Jul.  
27, 2018.

(51) **LOC (12) Cl.** ..... **16-01**

(52) **U.S. Cl.**  
USPC ..... **D16/203**

(58) **Field of Classification Search**  
USPC ..... D16/200, 202–206, 208, 218, 219, 242;  
348/143, 148, 151, 373–376; 396/419,  
396/427, 535, 539–541  
CPC ..... G03B 17/02; G03B 19/04; G03B 17/56;  
G03B 17/04; G03B 15/03; H04N 5/2251;  
H04N 5/2252; H04N 5/2253; H04N  
5/2254; H04N 7/181; H04N 7/183; H04N  
7/18; G08B 13/1963; G08B 13/19619;  
G08B 13/19632; F16M 11/04; F16M  
13/00

See application file for complete search history.

(56) **References Cited**

**U.S. PATENT DOCUMENTS**

D349,714 S \* 8/1994 Hasegawa ..... D16/203  
D518,080 S \* 3/2006 Uehara ..... D16/202

D701,893 S \* 4/2014 Bart ..... D16/203  
D747,383 S \* 1/2016 Li ..... D16/203  
D781,361 S \* 3/2017 Dimitriadis ..... D16/203  
D795,941 S \* 8/2017 Dimitriadis ..... D16/203  
D798,935 S \* 10/2017 Dimitriadis ..... D16/203  
D810,169 S \* 2/2018 Bhattacharya ..... D16/203

(Continued)

*Primary Examiner* — Ramzi S Almatrahi

(74) *Attorney, Agent, or Firm* — Lathrop Gage LLP

(57) **CLAIM**

The ornamental design for a security camera, as shown and described.

**DESCRIPTION**

FIG. 1 is a front perspective view of a security camera of the present design with the stand of the security camera in a first configuration;

FIG. 2 is a front elevational view of the security camera of FIG. 1;

FIG. 3 is a rear elevational view of the security camera of FIG. 1;

FIG. 4 is a left-side elevational view of the security camera of FIG. 1;

FIG. 5 is a right-side elevational view of the security camera of FIG. 1;

FIG. 6 is a top plan view of the security camera of FIG. 1;

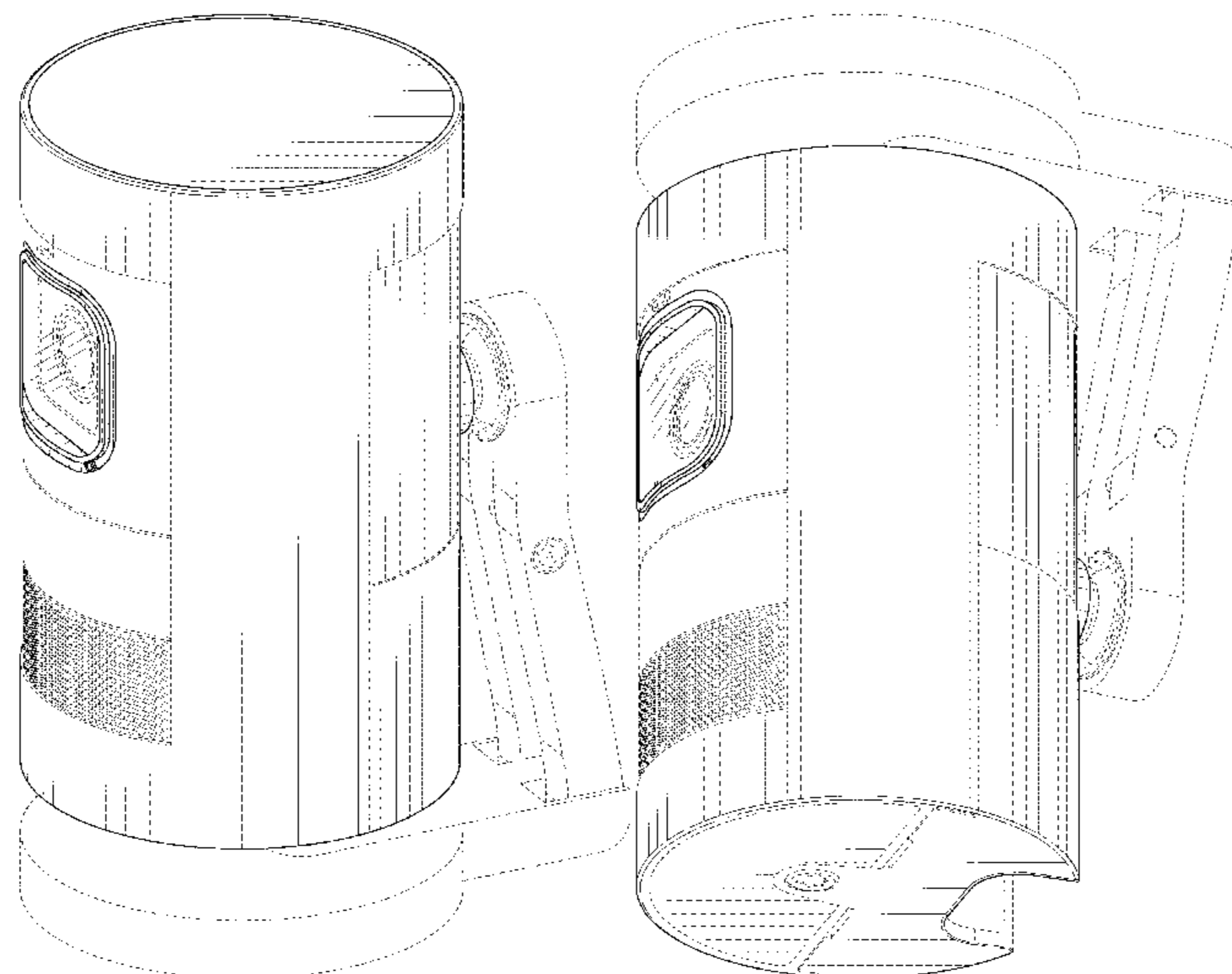
FIG. 7 is a bottom plan view of the security camera of FIG. 1;

FIG. 8 is a front perspective view of the security camera of the present design with the stand of the security camera in a second configuration; and,

FIG. 9 is a rear elevational view of the security camera of the present design with the stand of the security camera in the second configuration of FIG. 8.

The broken lines depict portions of the security camera in which the design is embodied that form no part of the claimed design.

**1 Claim, 8 Drawing Sheets**



(56)

**References Cited**

U.S. PATENT DOCUMENTS

D818,515 S	*	5/2018	Laurans .....	D16/203
D821,477 S	*	6/2018	Moon .....	D16/203
D832,329 S	*	10/2018	Li .....	D16/203
D834,631 S	*	11/2018	Park .....	D16/203
D842,358 S	*	3/2019	Puric .....	D16/203

\* cited by examiner

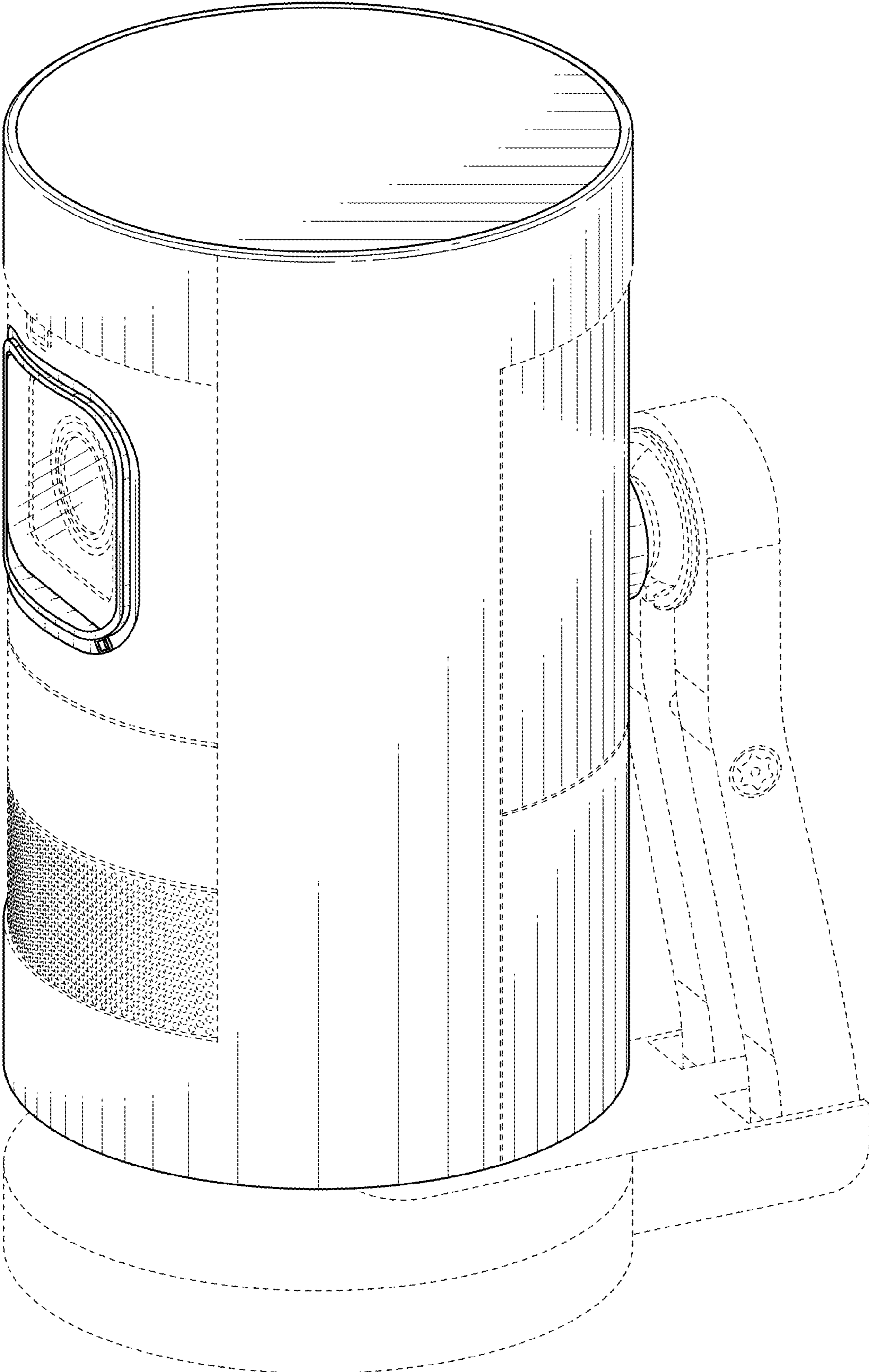


FIG. 1

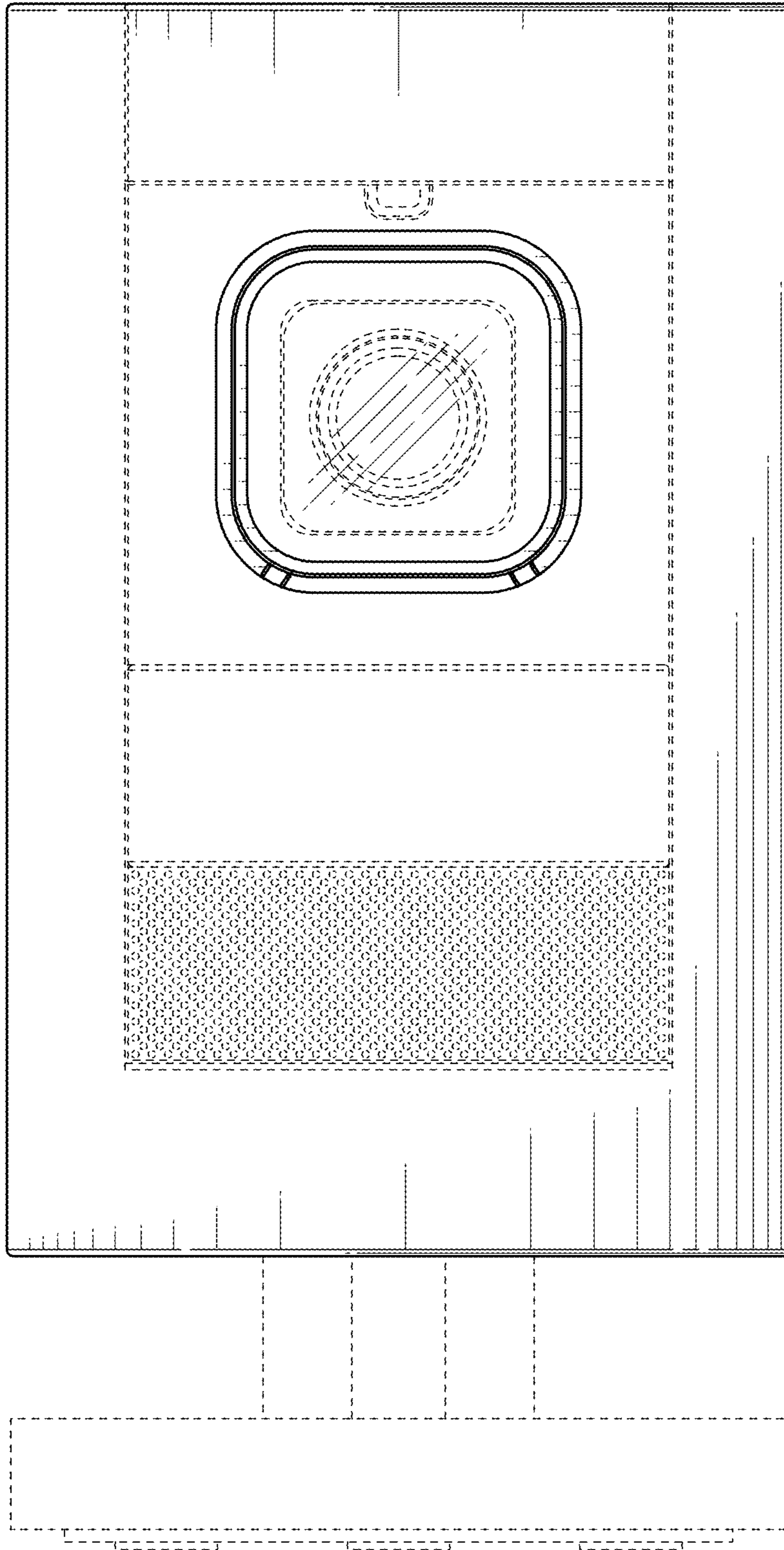


FIG. 2

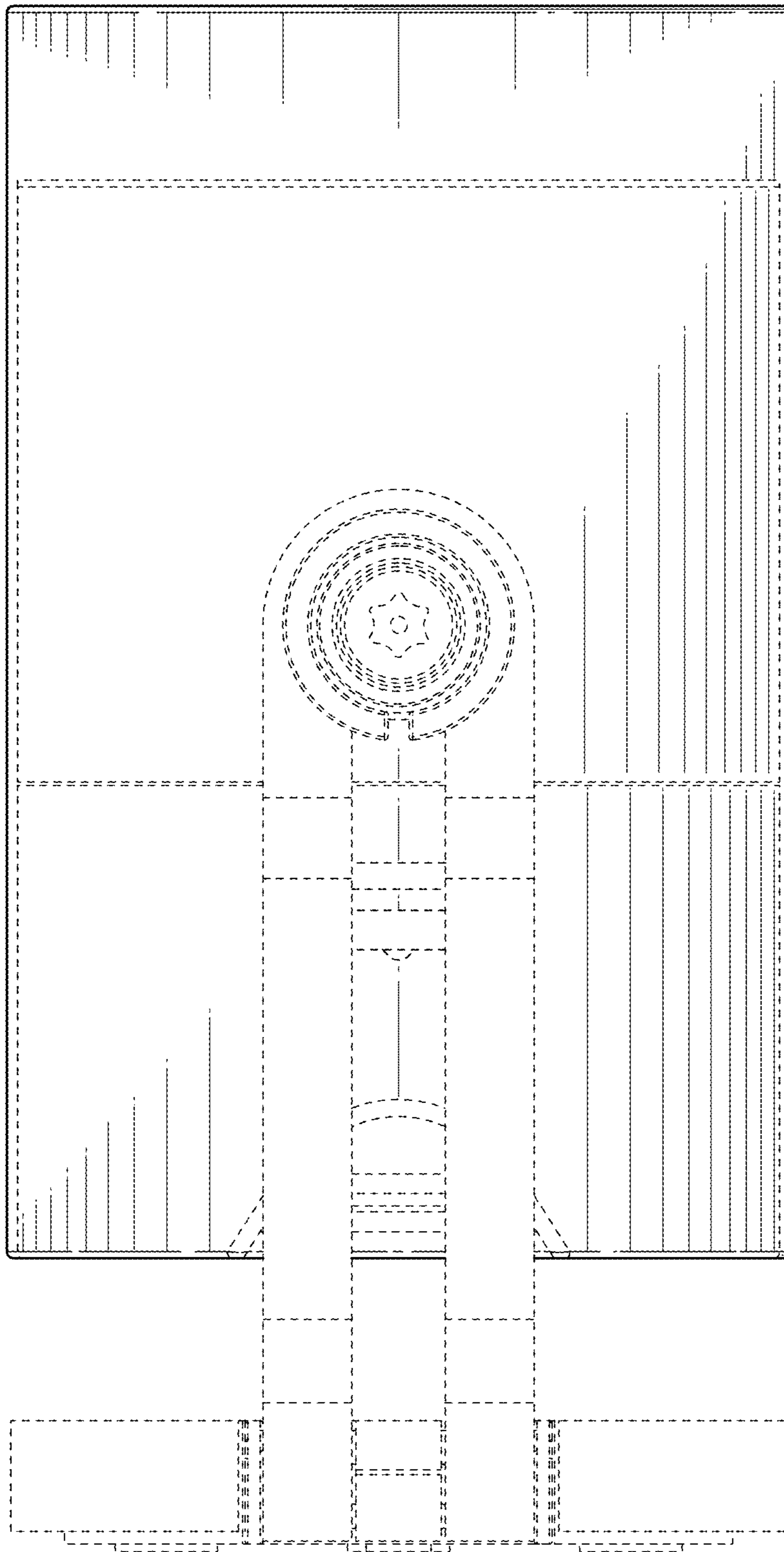


FIG. 3

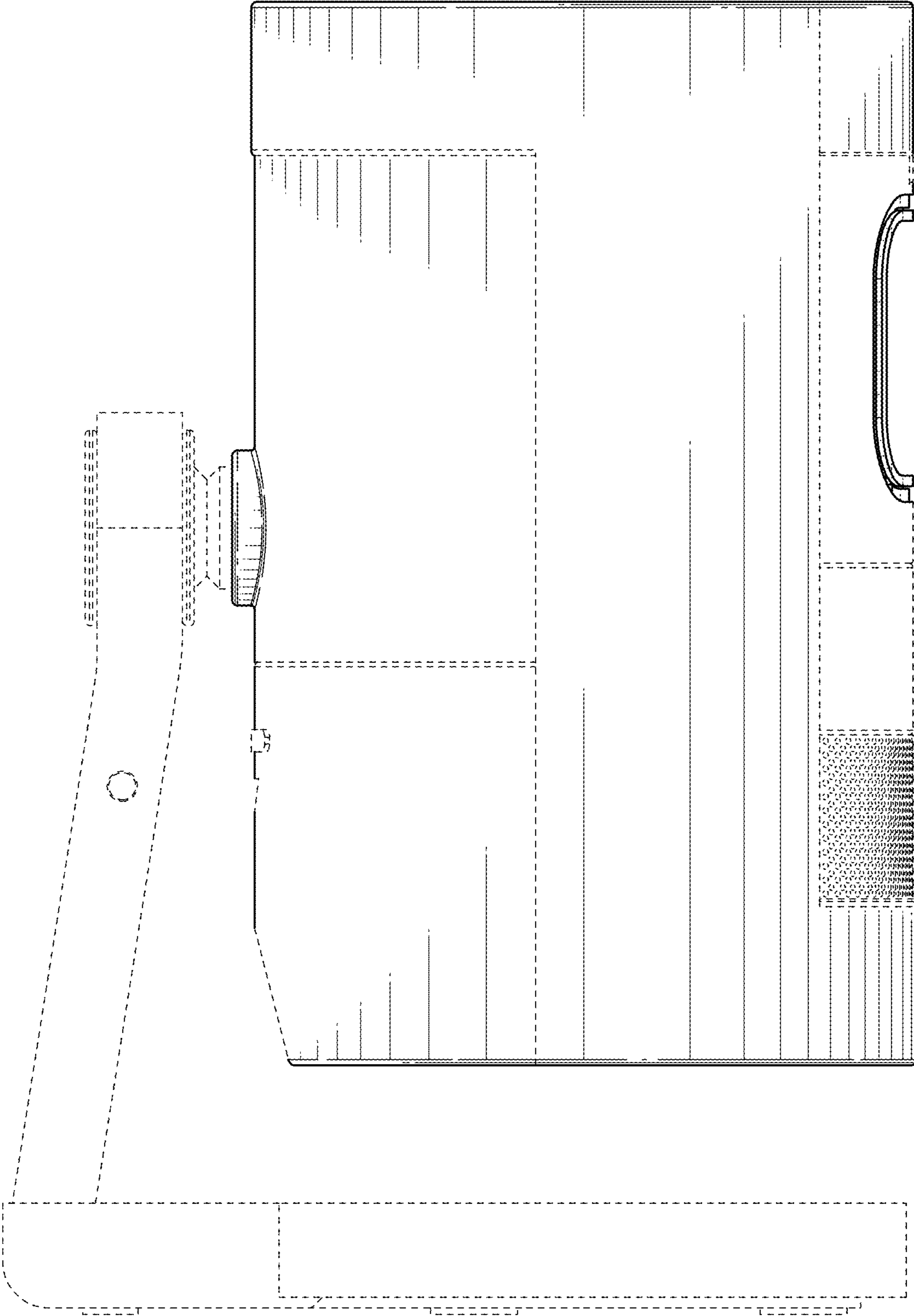


FIG. 4

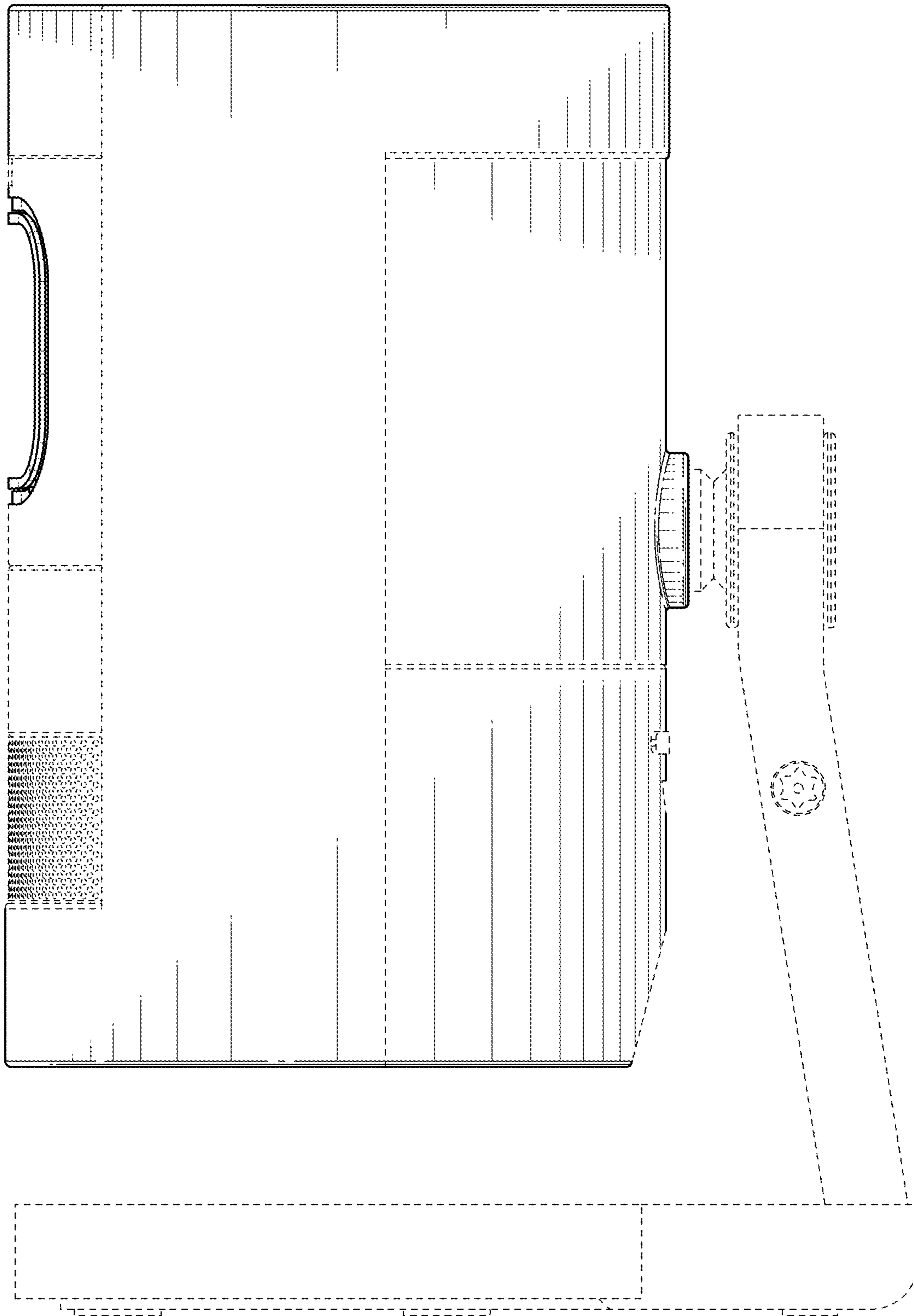


FIG. 5

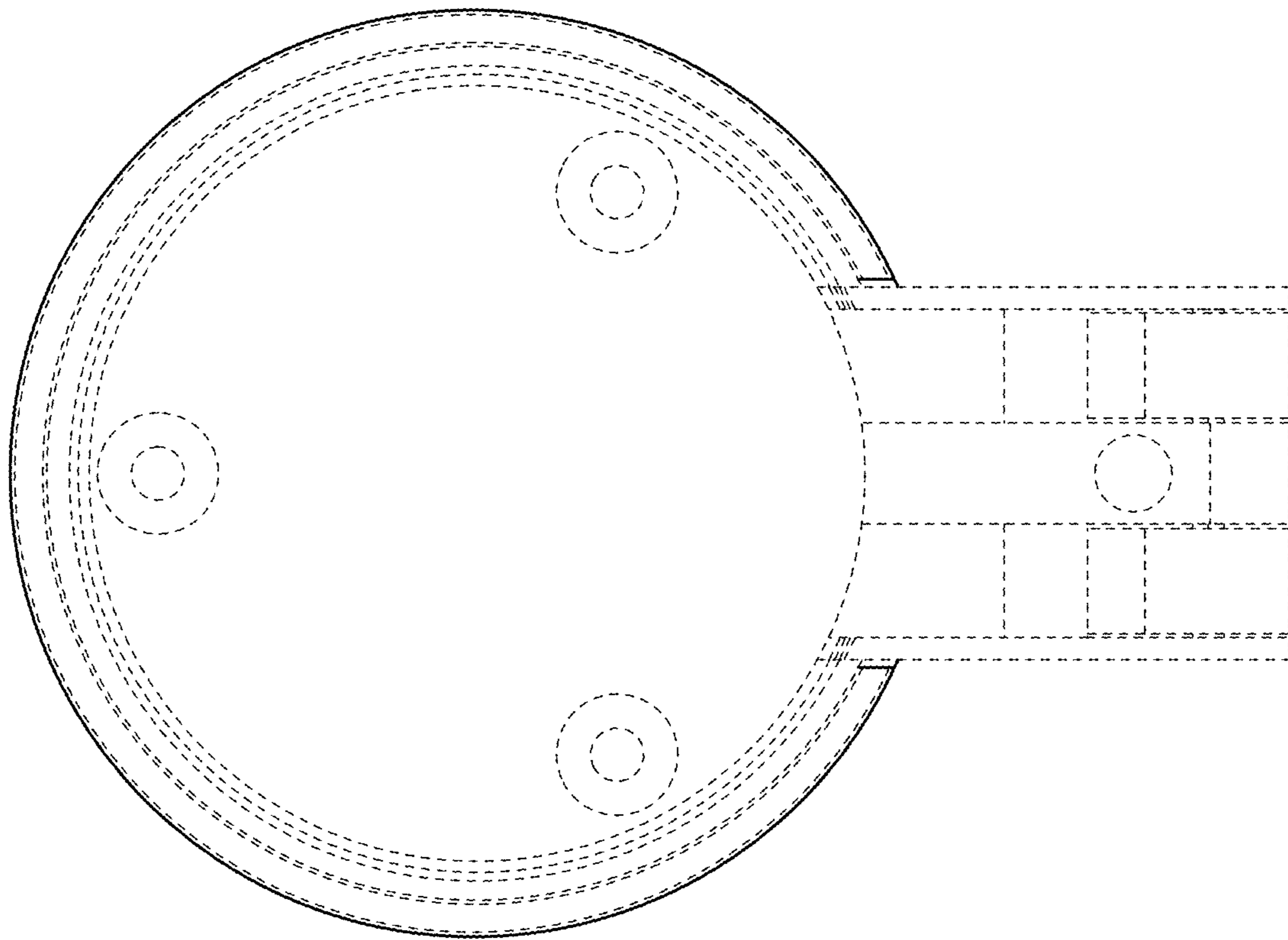


FIG. 7

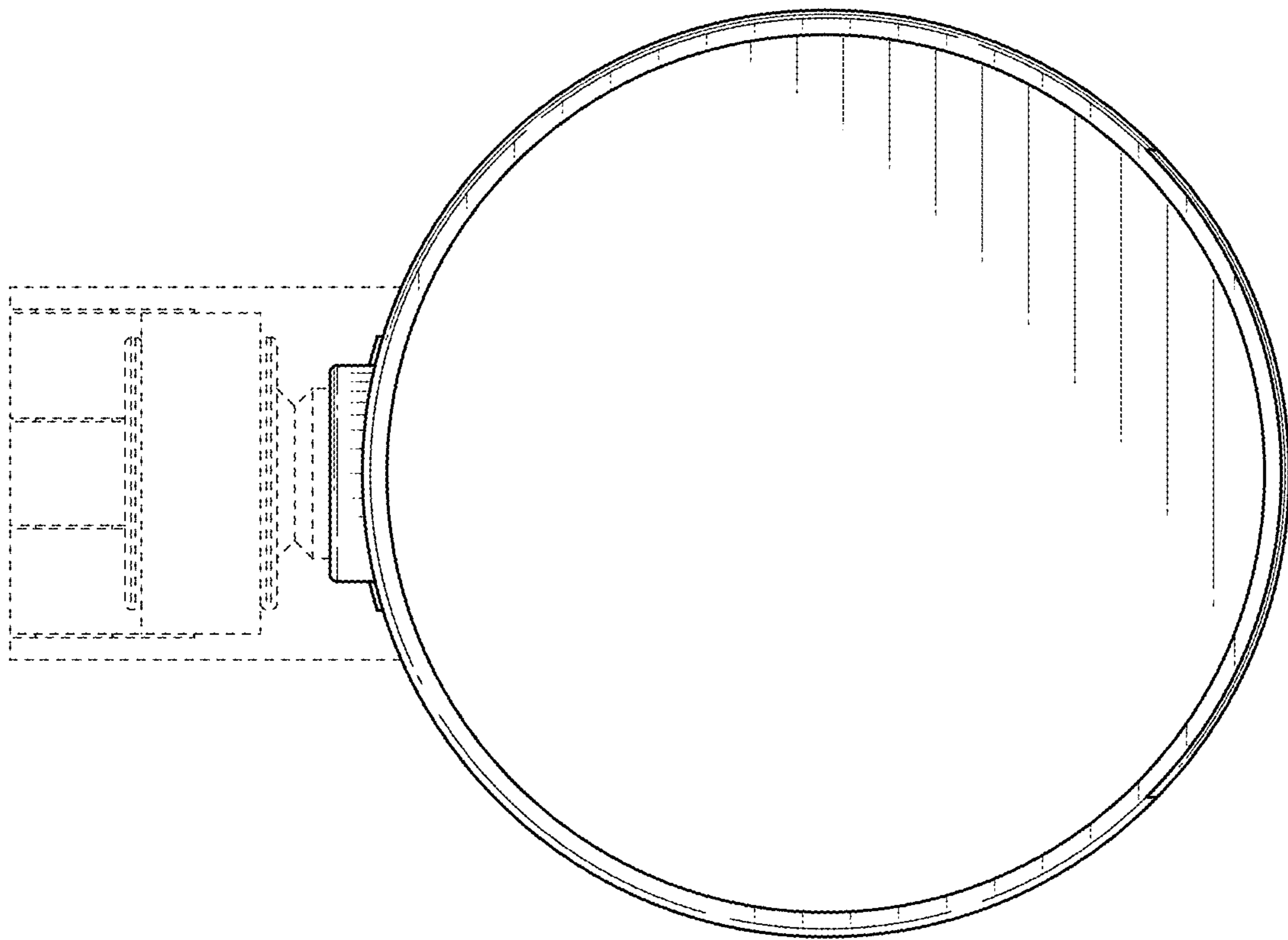


FIG. 6



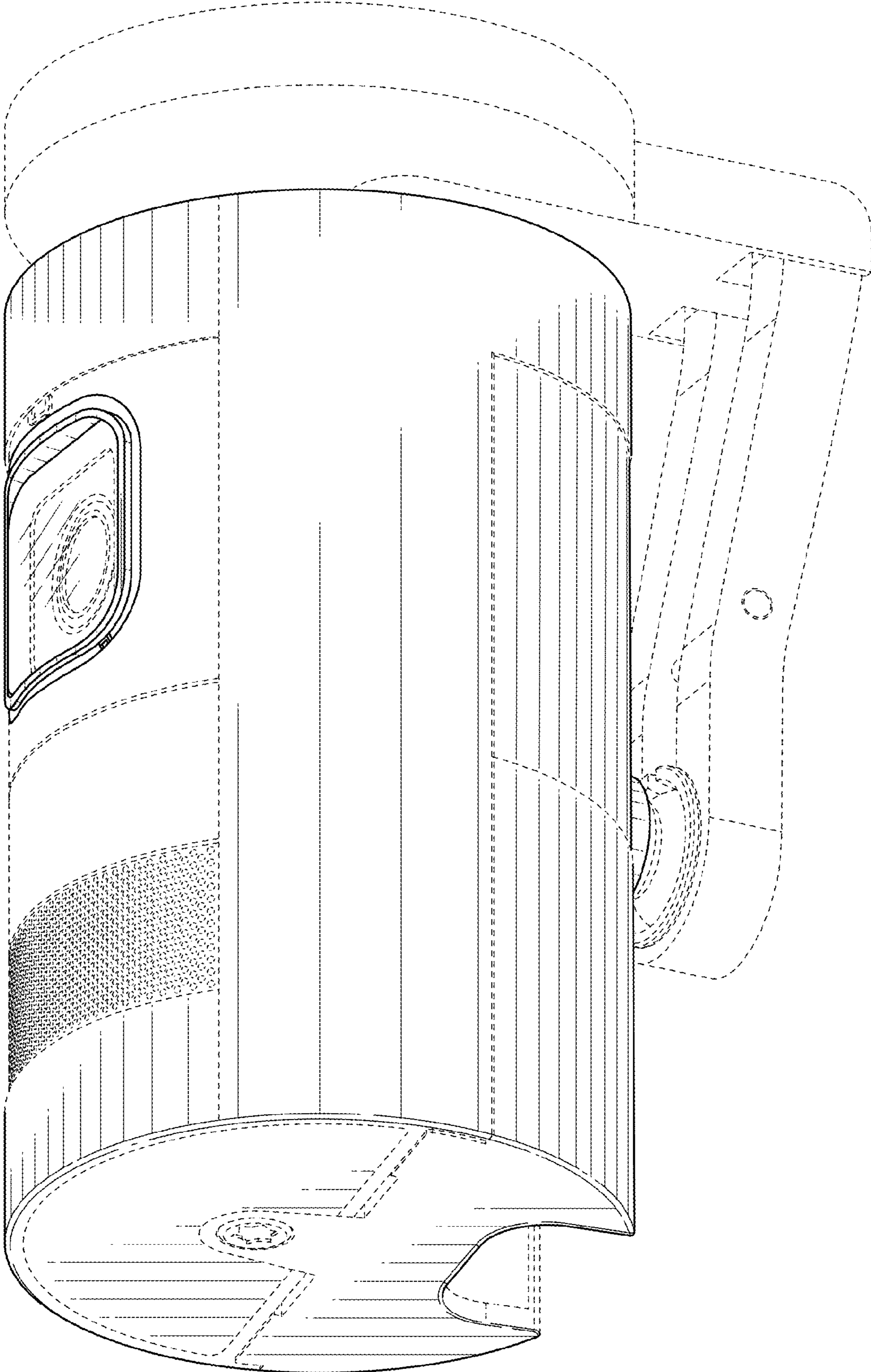


FIG. 8

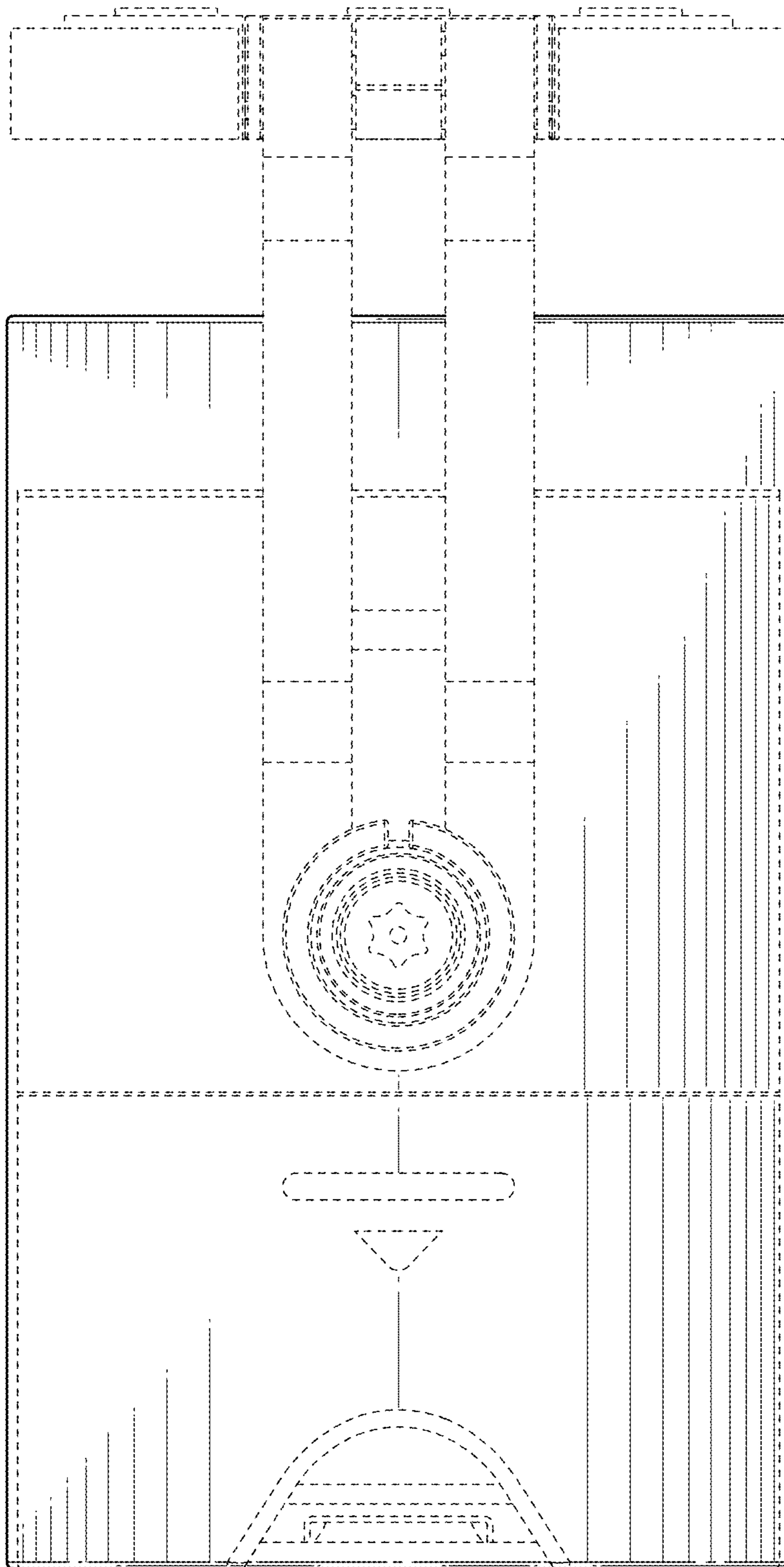


FIG. 9