



US00D873321S

(12) **United States Design Patent**  
**Siminoff et al.**

(10) **Patent No.:** **US D873,321 S**  
(45) **Date of Patent:** **\*\* Jan. 21, 2020**

(54) **SECURITY CAMERA**

(71) Applicant: **AMAZON TECHNOLOGIES, INC.**,  
Seattle, WA (US)

(72) Inventors: **Mark Siminoff**, Mountain View, CA  
(US); **Christopher Loew**, Palo Alto,  
CA (US); **Matthew J. England**, Santa  
Monica, CA (US)

(73) Assignee: **Amazon Technologies, Inc.**, Seattle,  
WA (US)

(\*\*) Term: **15 Years**

(21) Appl. No.: **29/699,291**

(22) Filed: **Jul. 24, 2019**

**Related U.S. Application Data**

(62) Division of application No. 29/658,140, filed on Jul.  
27, 2018.

(51) **LOC (12) Cl.** ..... **16-01**

(52) **U.S. Cl.**  
USPC ..... **D16/203**

(58) **Field of Classification Search**  
USPC ..... D16/200, 202–206, 208, 218, 219, 242;  
348/143, 148, 151, 373–376; 396/419,  
396/427, 535, 539–541

(Continued)

(56) **References Cited**

**U.S. PATENT DOCUMENTS**

D349,714 S \* 8/1994 Hasegawa ..... D16/203  
D518,080 S \* 3/2006 Uehara ..... D16/202

(Continued)

*Primary Examiner* — Ramzi S Almatrahi

(74) *Attorney, Agent, or Firm* — Lathrop Gage LLP

(57) **CLAIM**

The ornamental design for a security camera, as shown and  
described.

**DESCRIPTION**

FIG. 1 is a front perspective view of a security camera  
according to a first embodiment of the present design with  
the stand of the security camera in a first configuration;

FIG. 2 is a front elevational view of the security camera of  
FIG. 1;

FIG. 3 is a rear elevational view of the security camera of  
FIG. 1;

FIG. 4 is a left-side elevational view of the security camera  
of FIG. 1;

FIG. 5 is a right-side elevational view of the security camera  
of FIG. 1;

FIG. 6 is a top plan view of the security camera of FIG. 1;

FIG. 7 is a bottom plan view of the security camera of FIG.  
1;

FIG. 8 is a front perspective view of the security camera  
according to the first embodiment of the present design with  
the stand of the security camera in a second configuration;

FIG. 9 is a rear elevational view of the security camera  
according to the first embodiment of the present design with  
the stand of the security camera in the second configuration  
of FIG. 8;

FIG. 10 is a front perspective view of the security camera  
according to a second embodiment of the present design  
with the stand of the security camera in a first configuration;

FIG. 11 is a front elevational view of the security camera of  
FIG. 10;

FIG. 12 is a rear elevational view of the security camera of  
FIG. 10;

FIG. 13 is a left-side elevational view of the security camera  
of FIG. 10;

FIG. 14 is a right-side elevational view of the security  
camera of FIG. 10;

FIG. 15 is a top plan view of the security camera of FIG. 10;

FIG. 16 is a bottom plan view of the security camera of FIG.  
10;

FIG. 17 is a front perspective view of the security camera  
according to the second embodiment of the present design  
with the stand of the security camera in a second configu-  
ration; and,

FIG. 18 is a rear elevational view of the security camera  
according to the second embodiment of the present design  
with the stand of the security camera in the second configu-  
ration of FIG. 17.

The broken lines depict portions of the security camera in  
which the design is embodied that form no part of the  
claimed design.

The broken lines depict portions of the security camera in  
which the design is embodied that form no part of the  
claimed design.

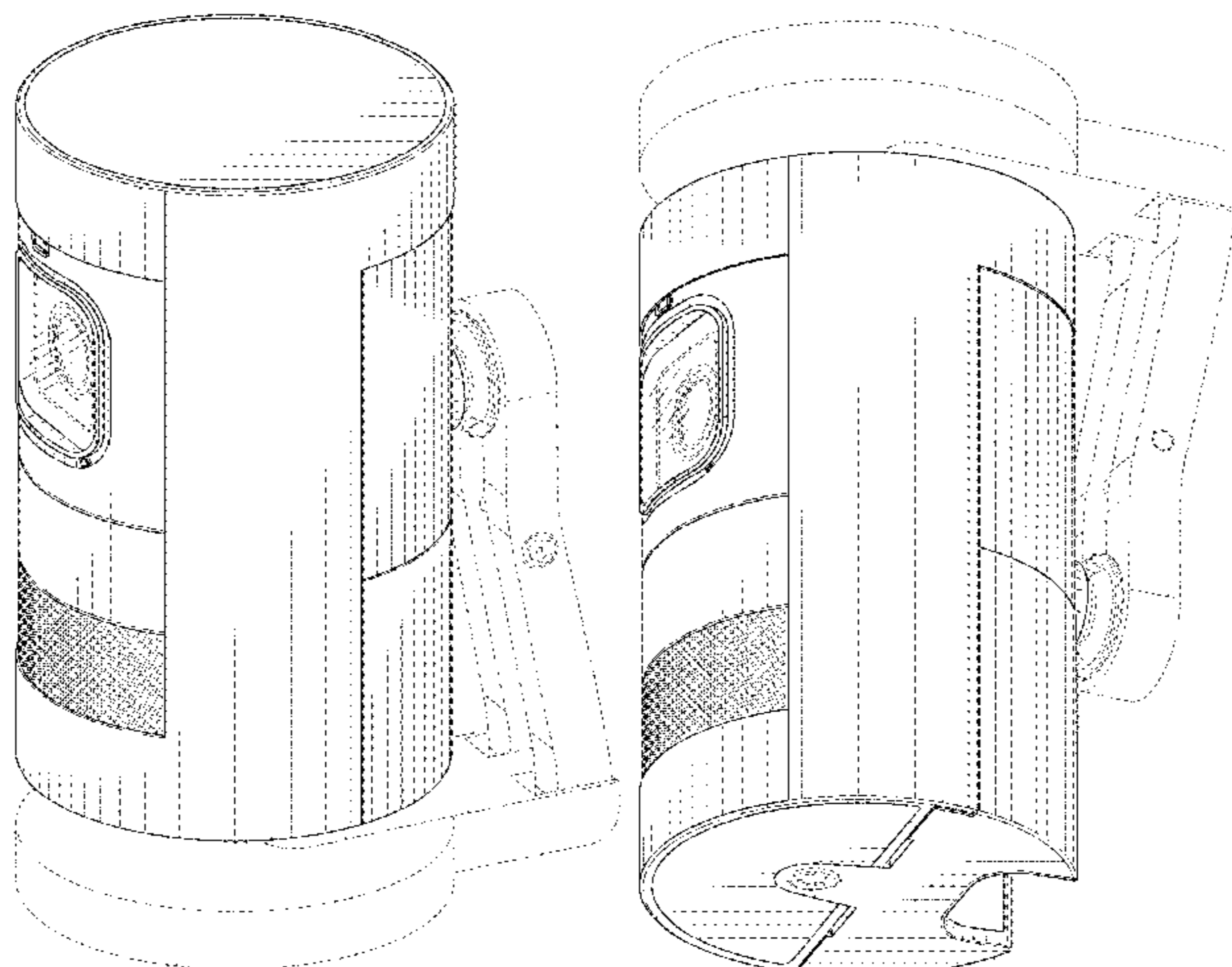
The broken lines depict portions of the security camera in  
which the design is embodied that form no part of the  
claimed design.

The broken lines depict portions of the security camera in  
which the design is embodied that form no part of the  
claimed design.

The broken lines depict portions of the security camera in  
which the design is embodied that form no part of the  
claimed design.

The broken lines depict portions of the security camera in  
which the design is embodied that form no part of the  
claimed design.

**1 Claim, 16 Drawing Sheets**



(58) **Field of Classification Search**

CPC ..... G03B 17/02; G03B 19/04; G03B 17/56;  
G03B 17/04; G03B 15/03; H04N 5/2251;  
H04N 5/2252; H04N 5/2253; H04N  
5/2254; H04N 7/181; H04N 7/183; H04N  
7/18; G08B 13/1963; G08B 13/19619;  
G08B 13/19632; F16M 11/04; F16M  
13/00

See application file for complete search history.

(56) **References Cited**

U.S. PATENT DOCUMENTS

D701,893	S	*	4/2014	Bart	.....	D16/203
D747,383	S	*	1/2016	Li	.....	D16/203
D781,361	S	*	3/2017	Dimitriadis	.....	D16/203
D795,941	S	*	8/2017	Dimitriadis	.....	D16/203
D798,935	S	*	10/2017	Dimitriadis	.....	D16/203
D810,169	S	*	2/2018	Bhattacharya	.....	D16/203
D818,515	S	*	5/2018	Laurans	.....	D16/203
D821,477	S	*	6/2018	Moon	.....	D16/203
D832,329	S	*	10/2018	Li	.....	D16/203
D834,631	S	*	11/2018	Park	.....	D16/203
D842,358	S	*	3/2019	Puric	.....	D16/203

\* cited by examiner

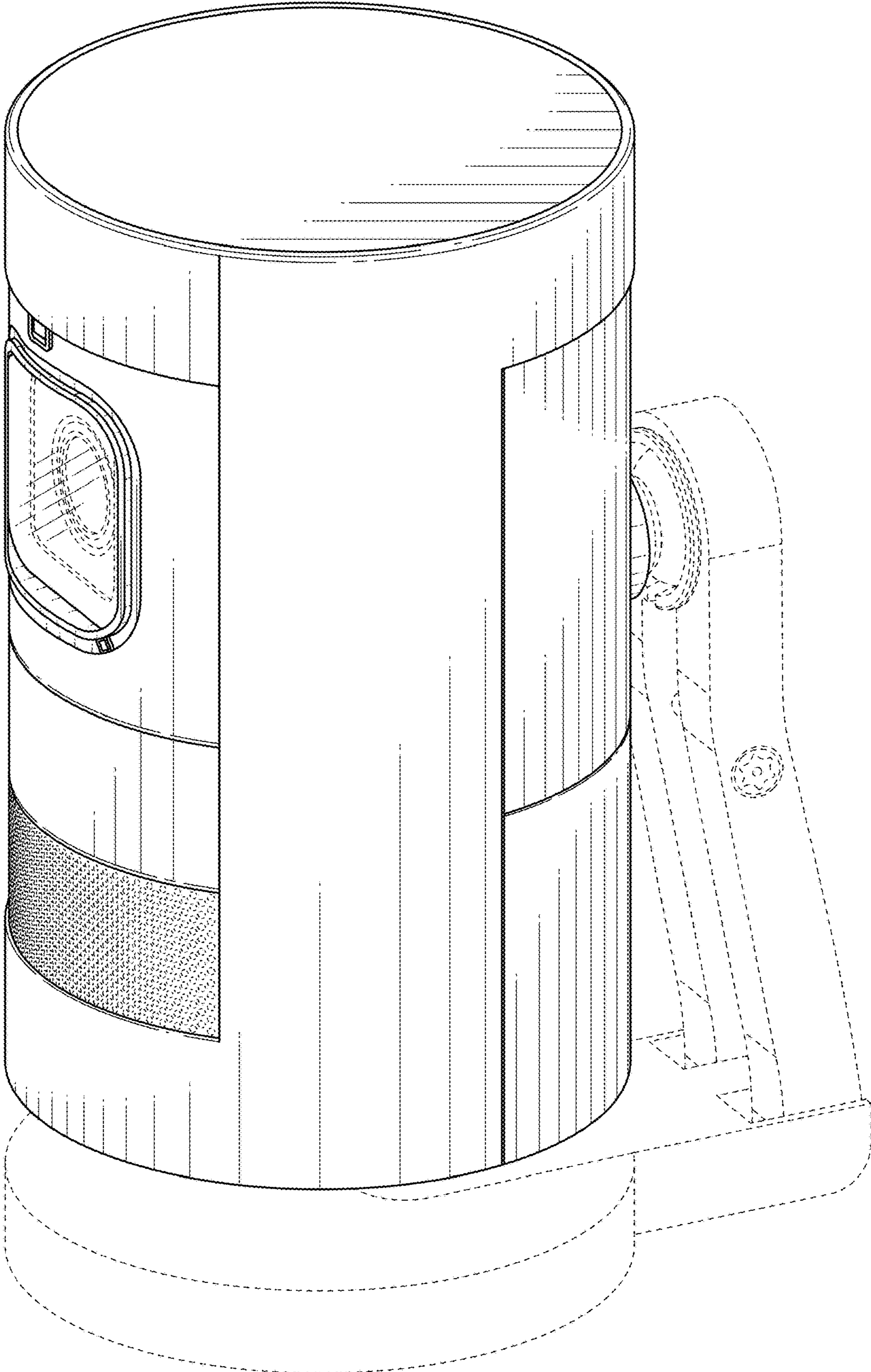


FIG. 1

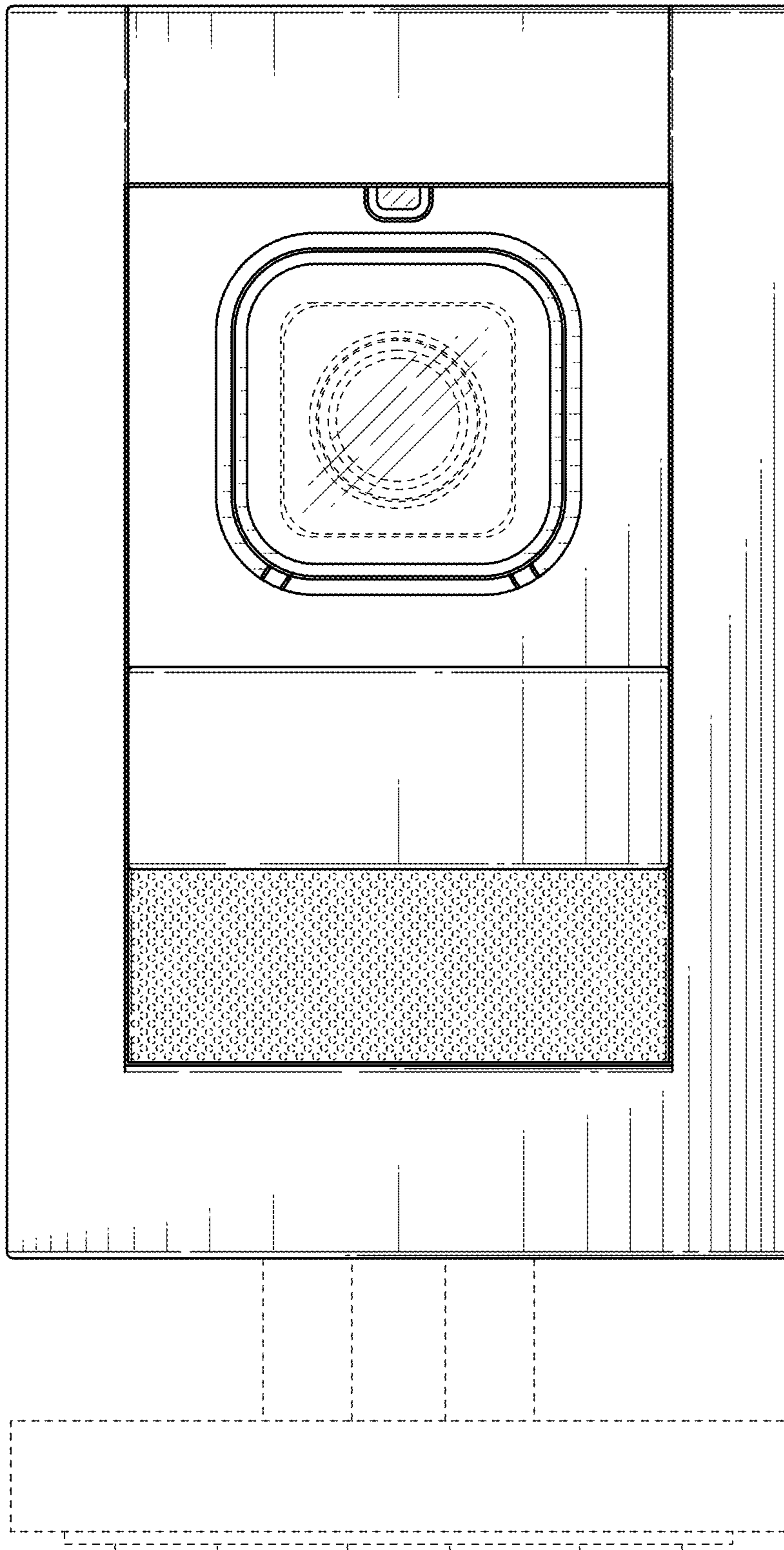


FIG. 2

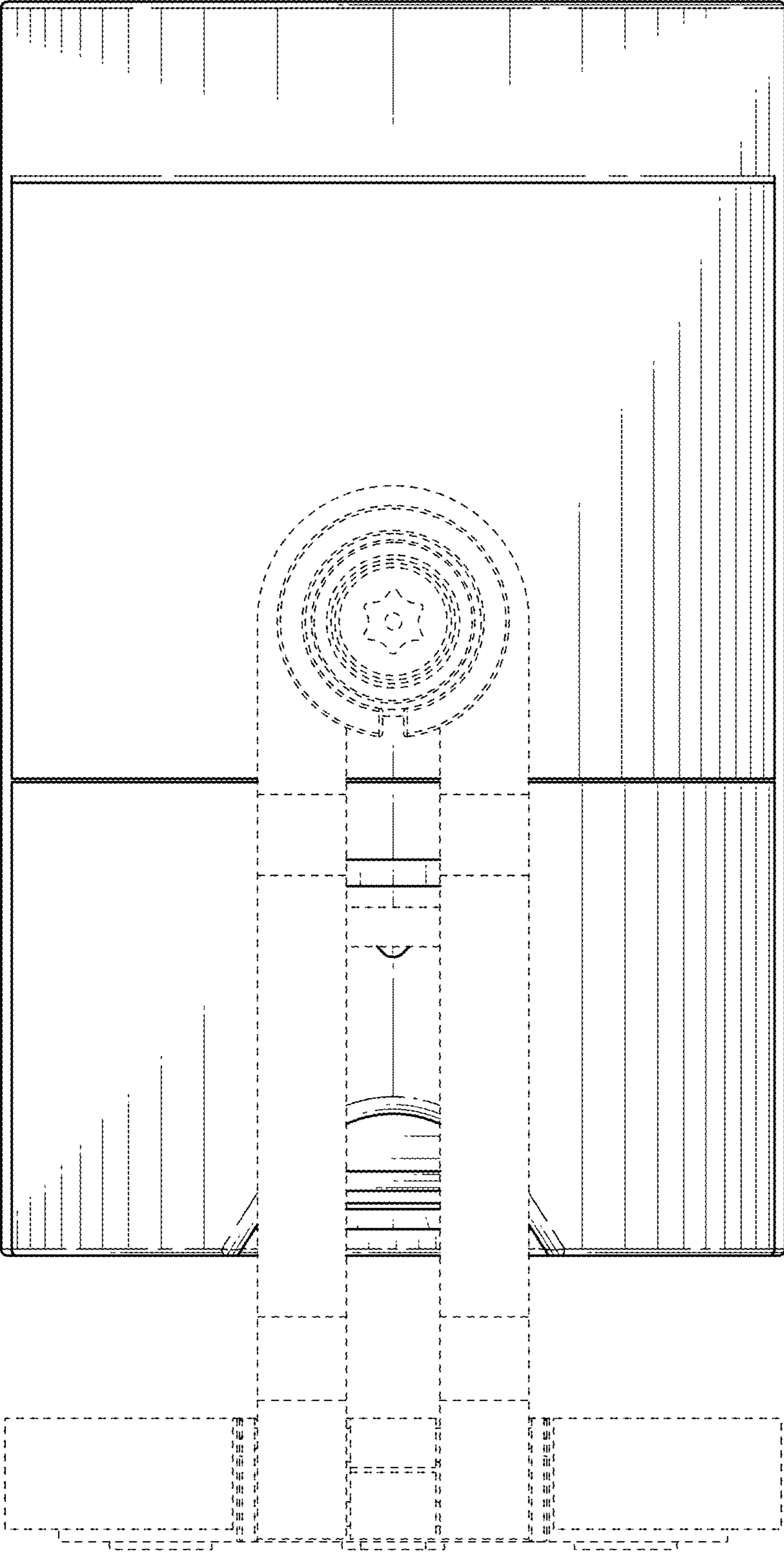


FIG. 3

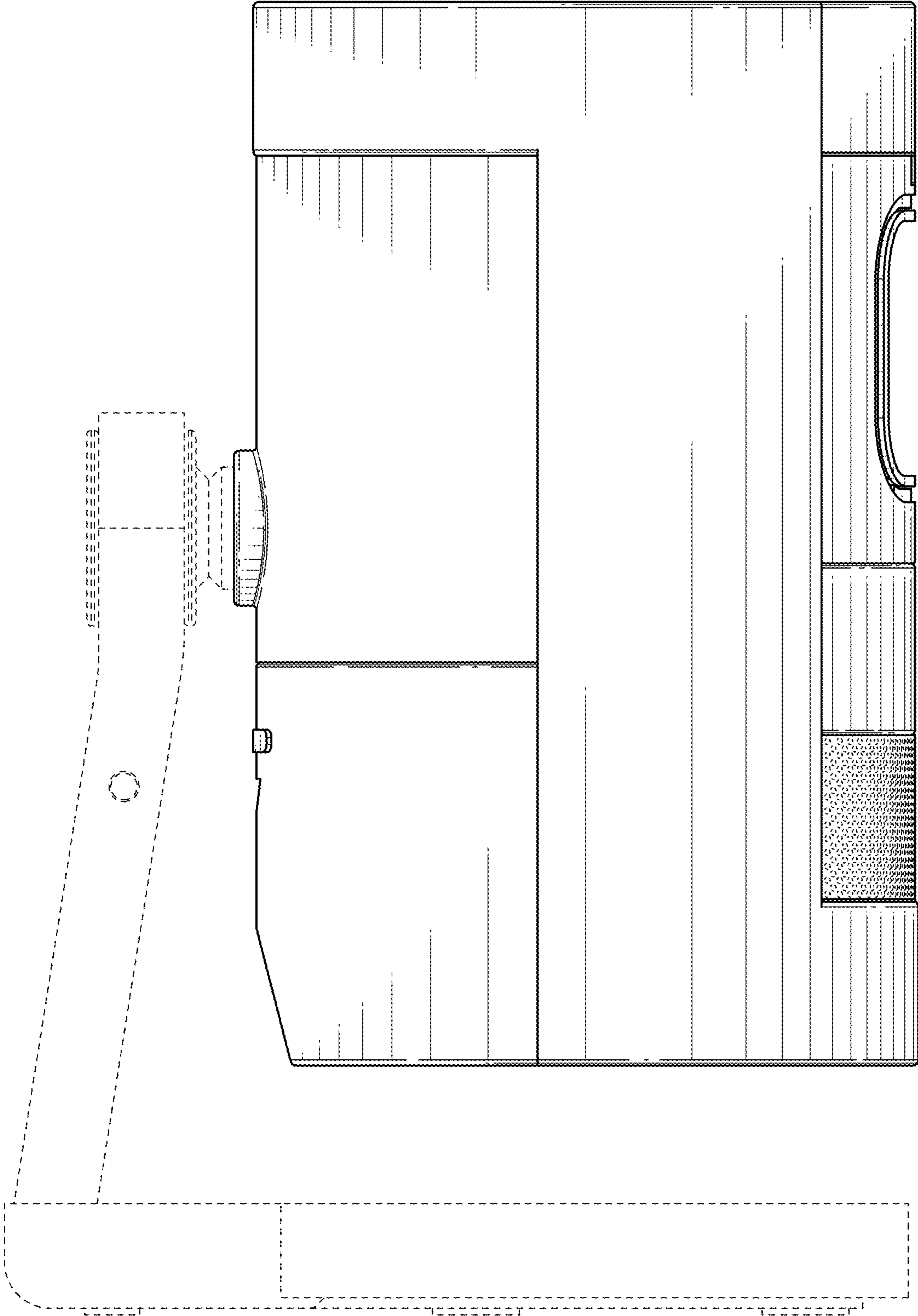


FIG. 4

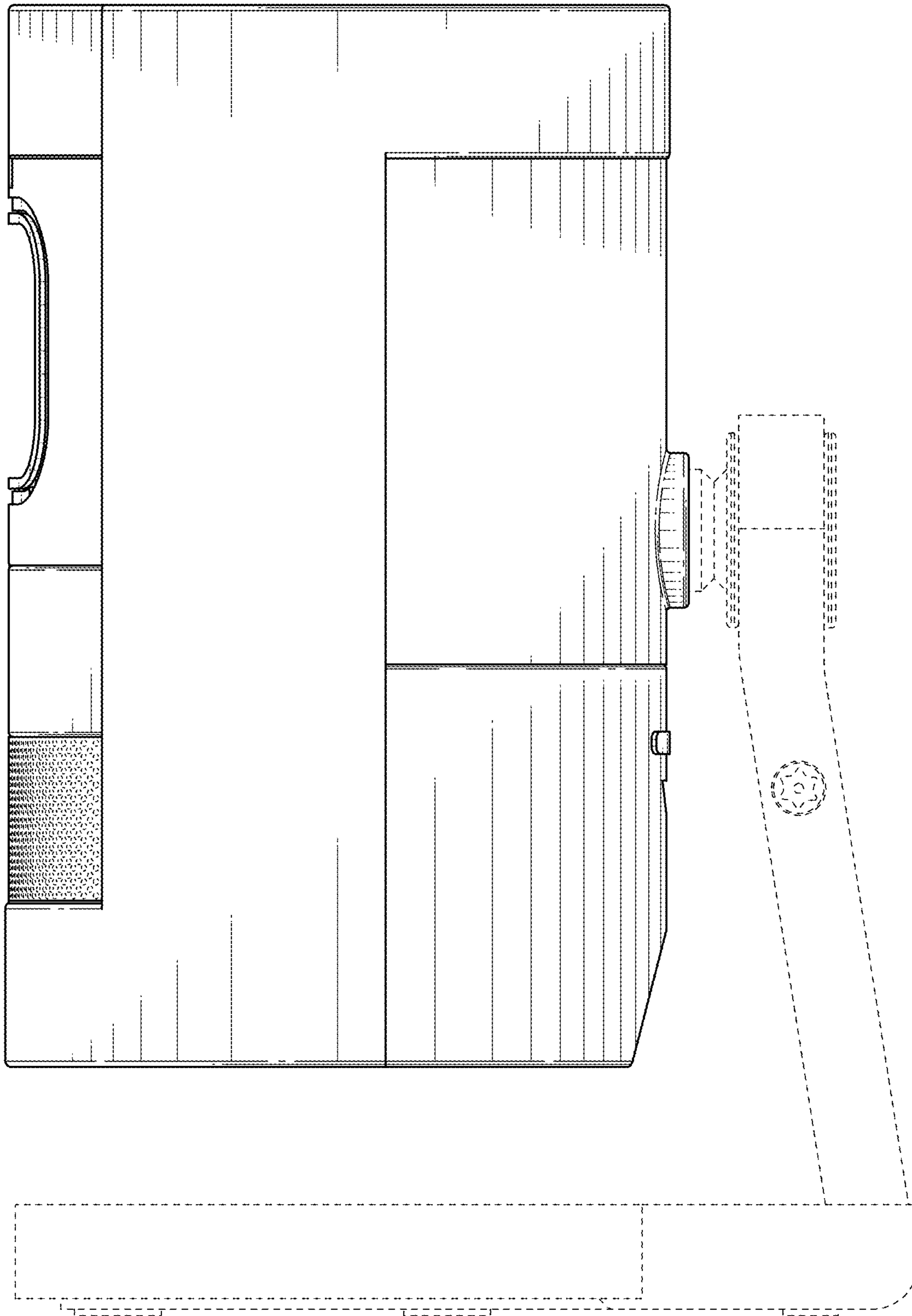


FIG. 5

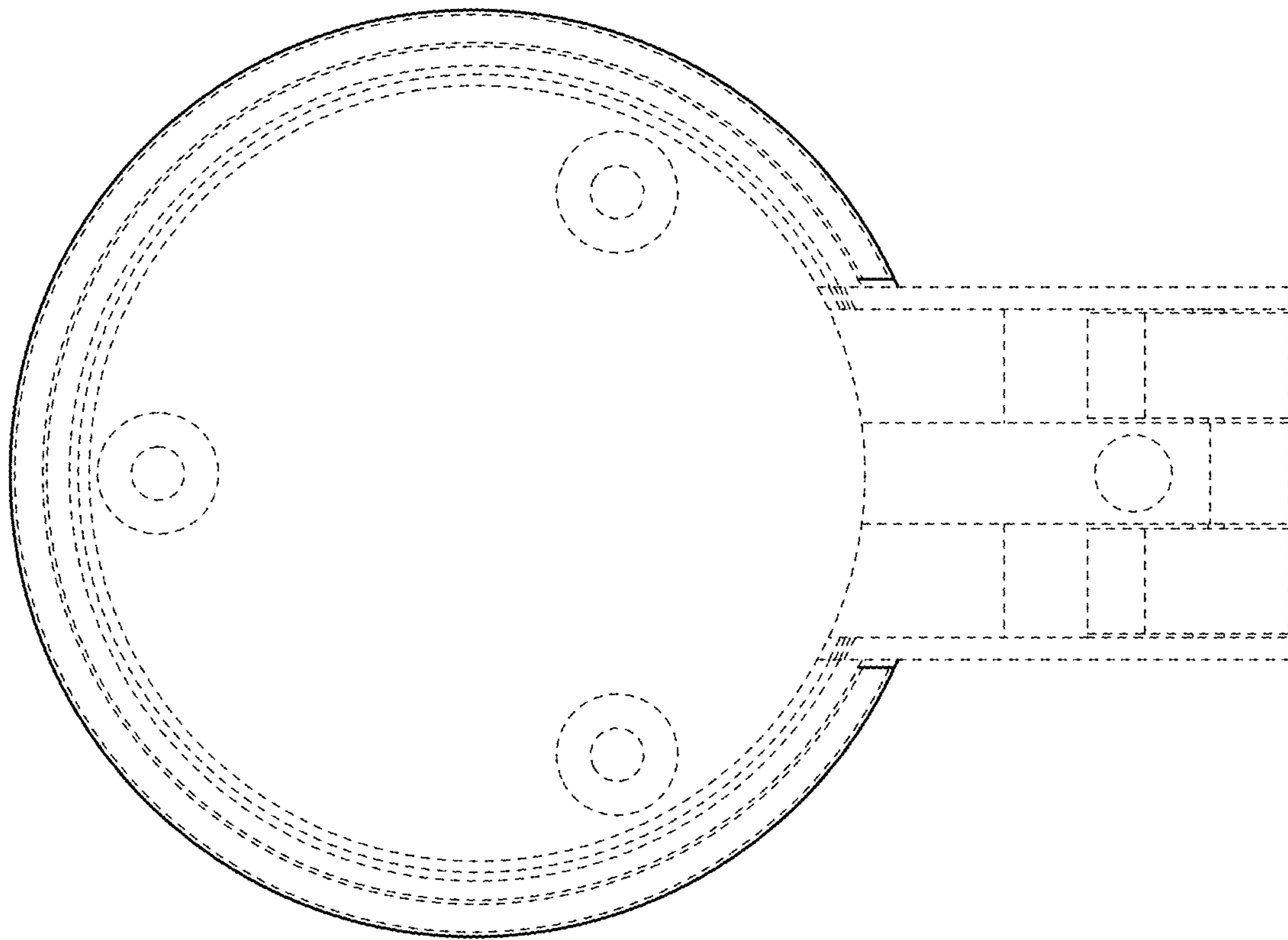


FIG. 7

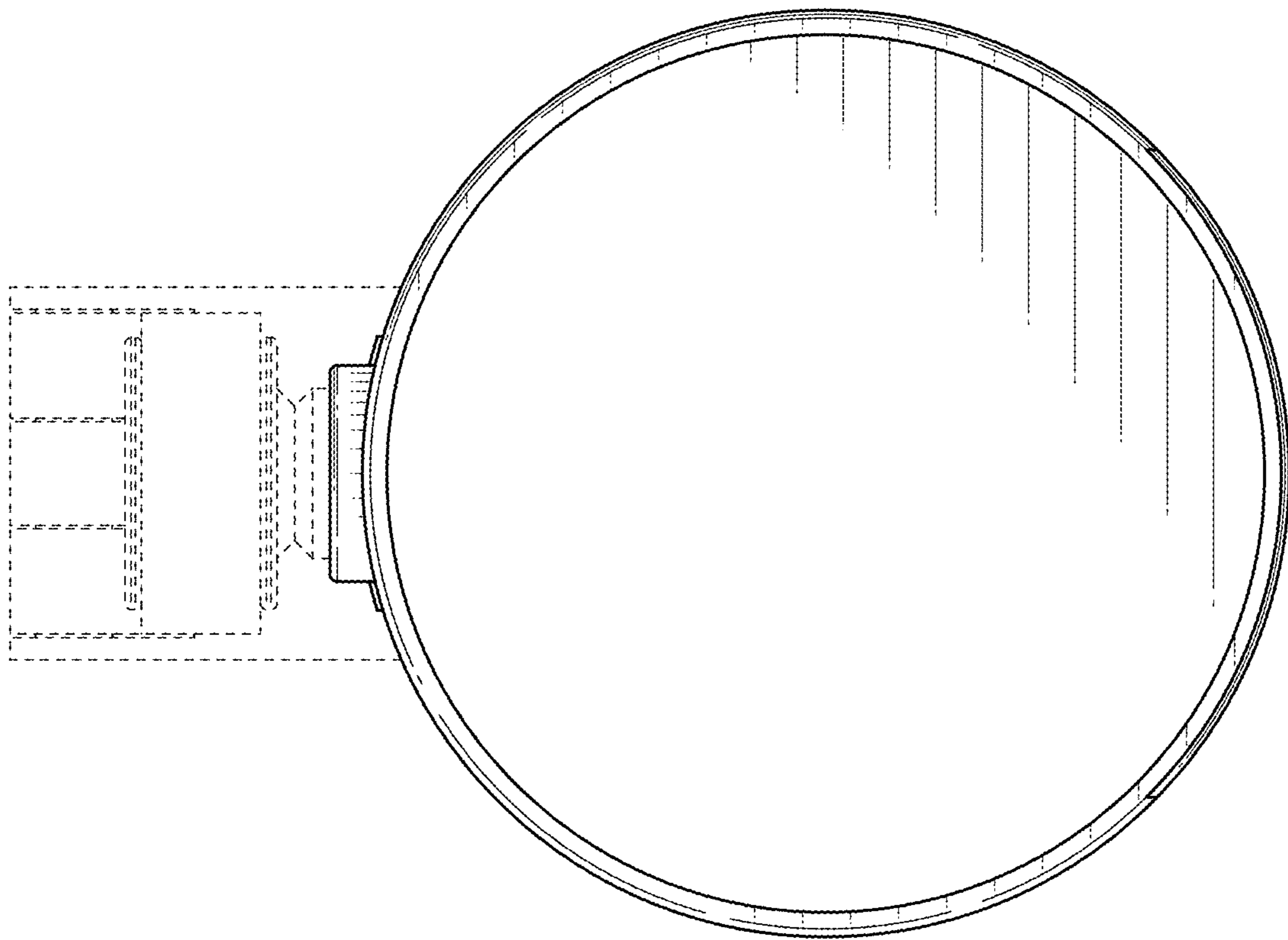


FIG. 6



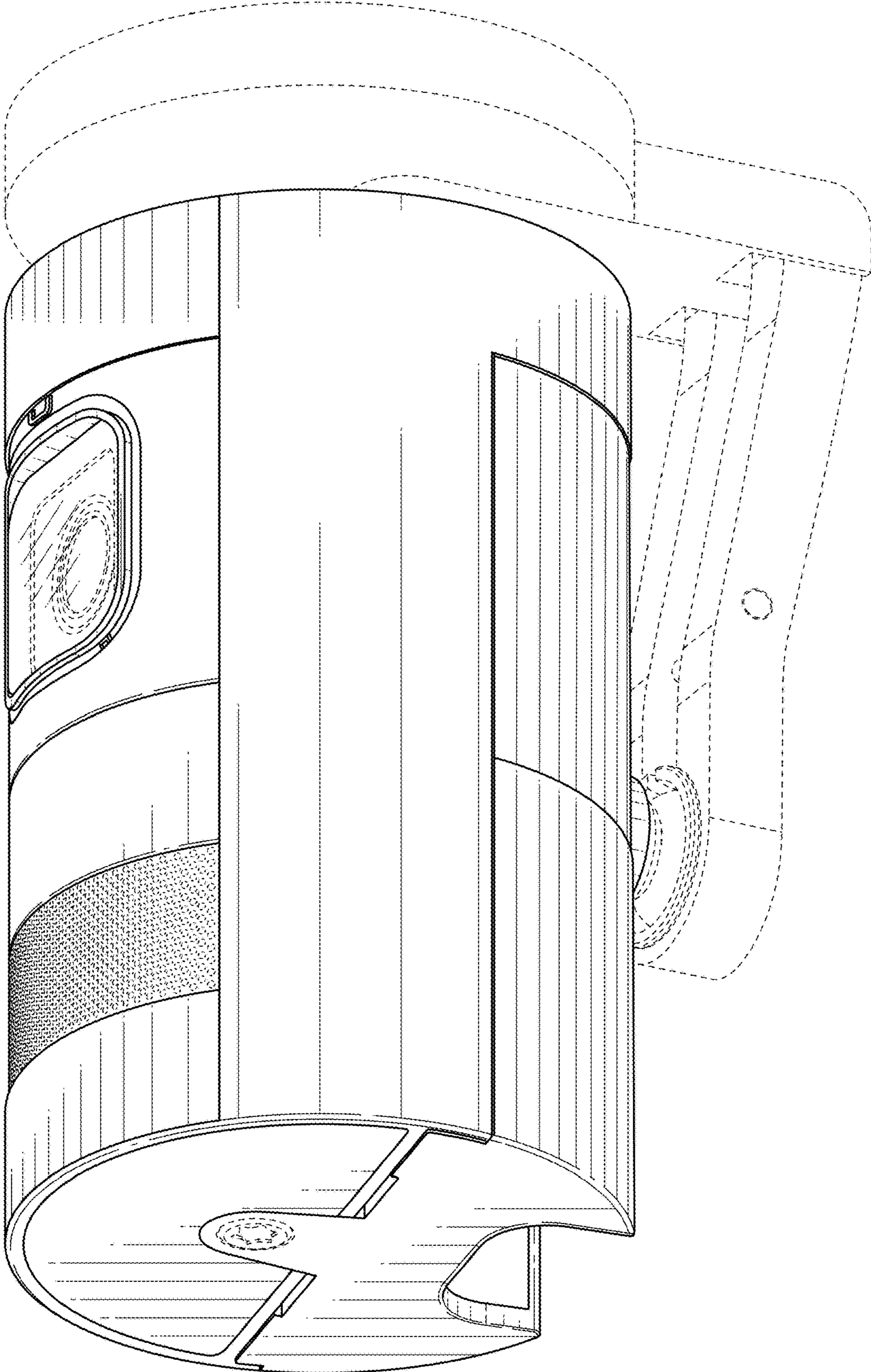


FIG. 8

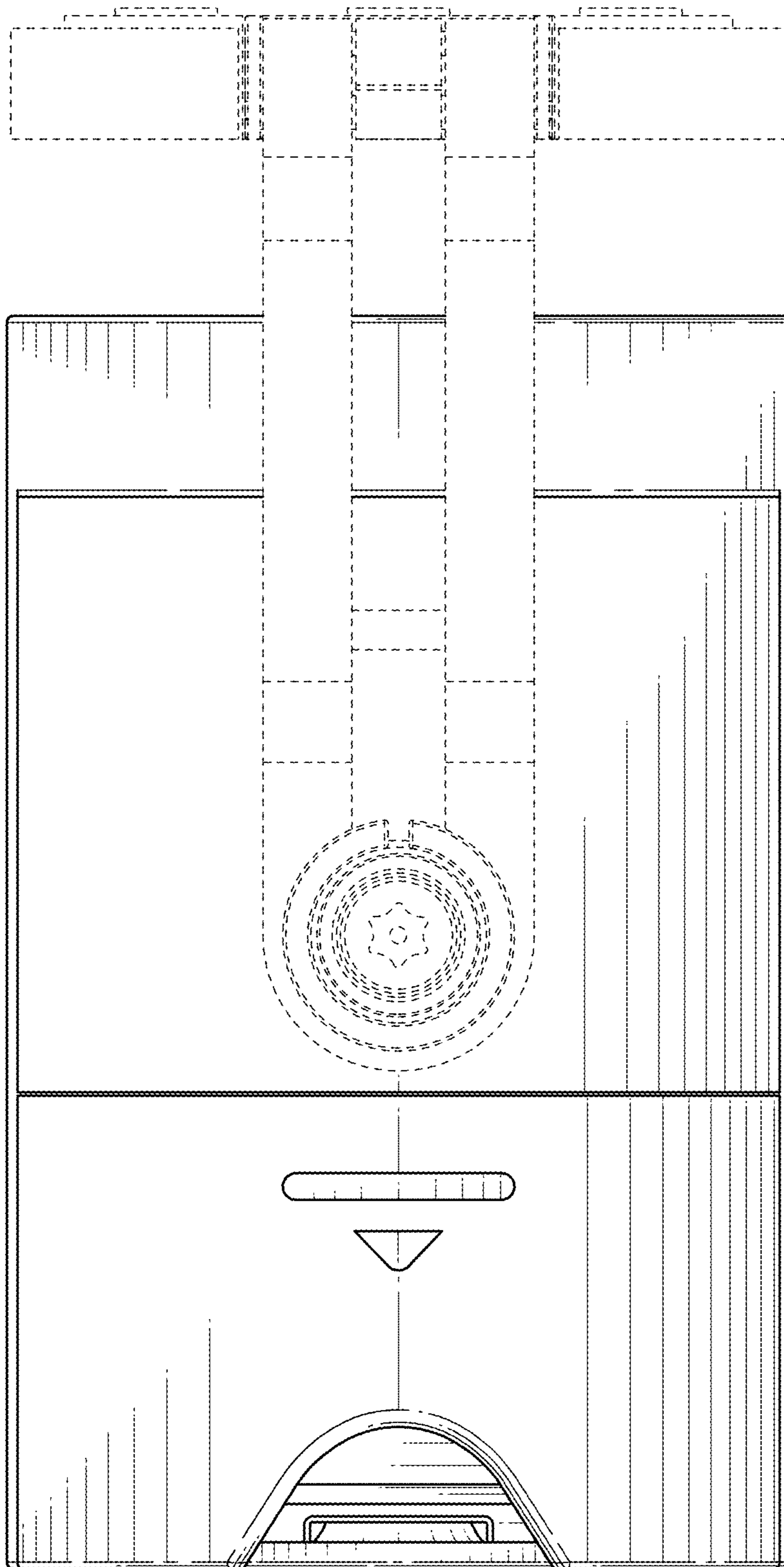


FIG. 9

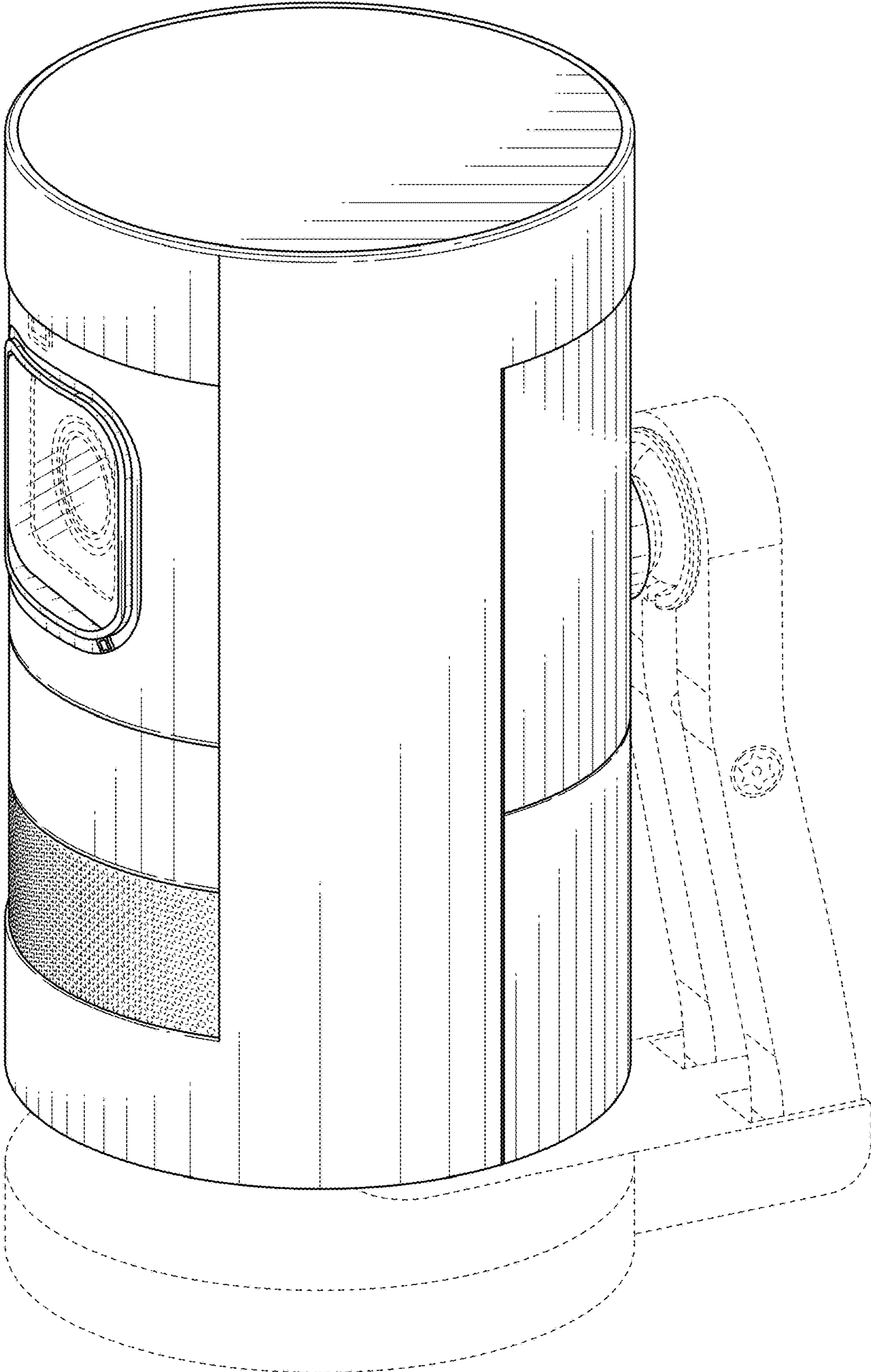


FIG. 10

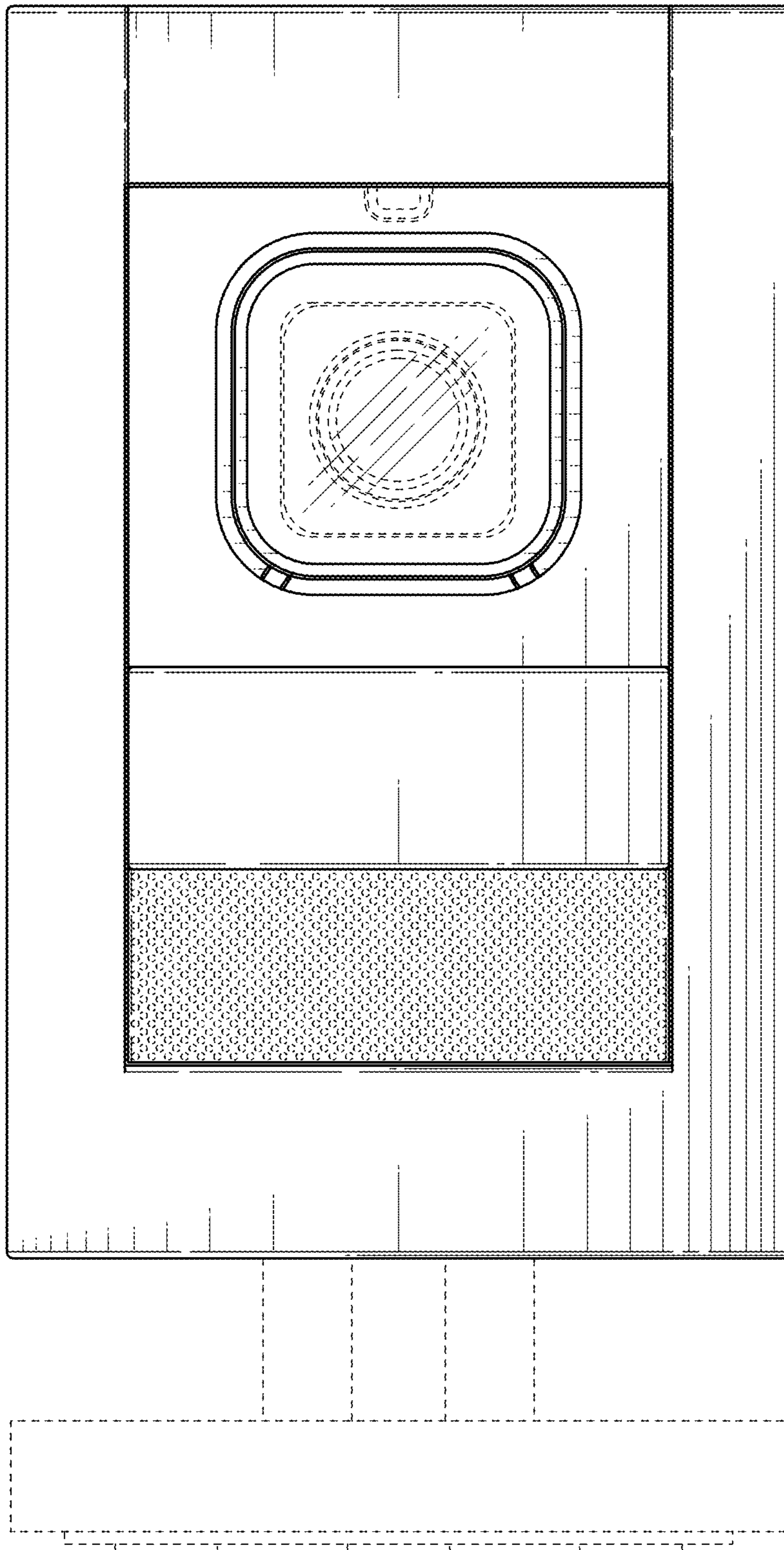


FIG. 11

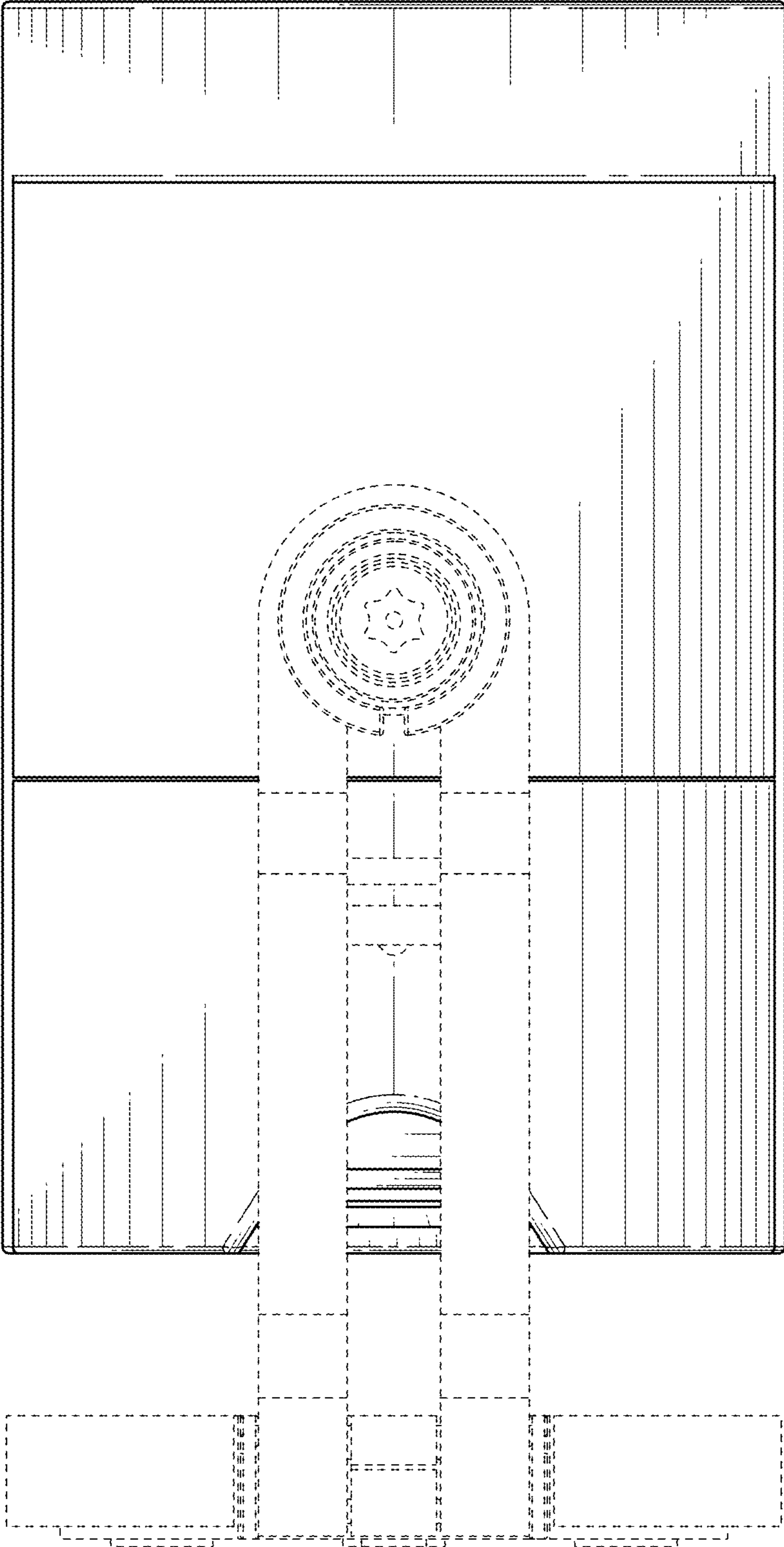


FIG. 12

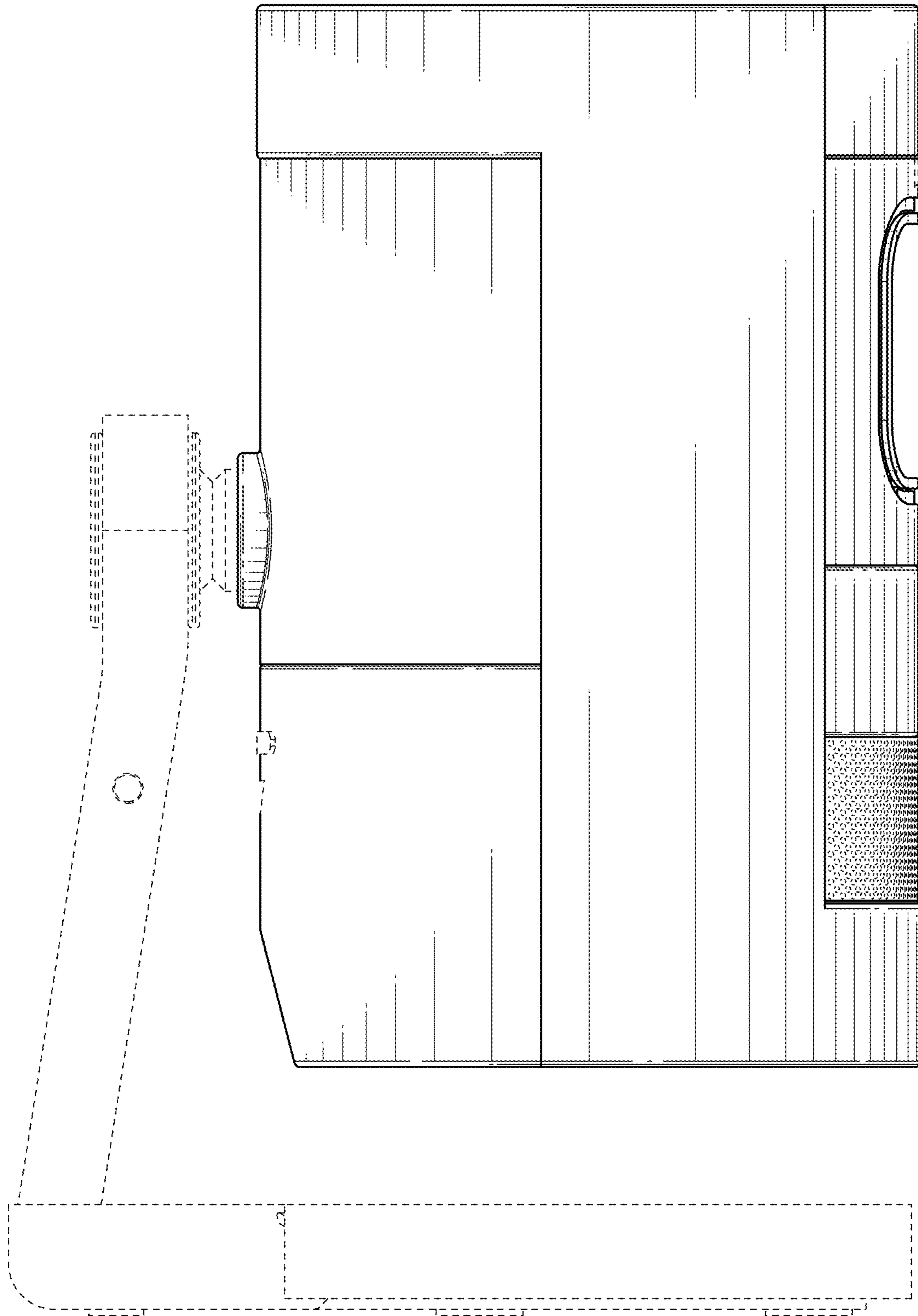


FIG. 13

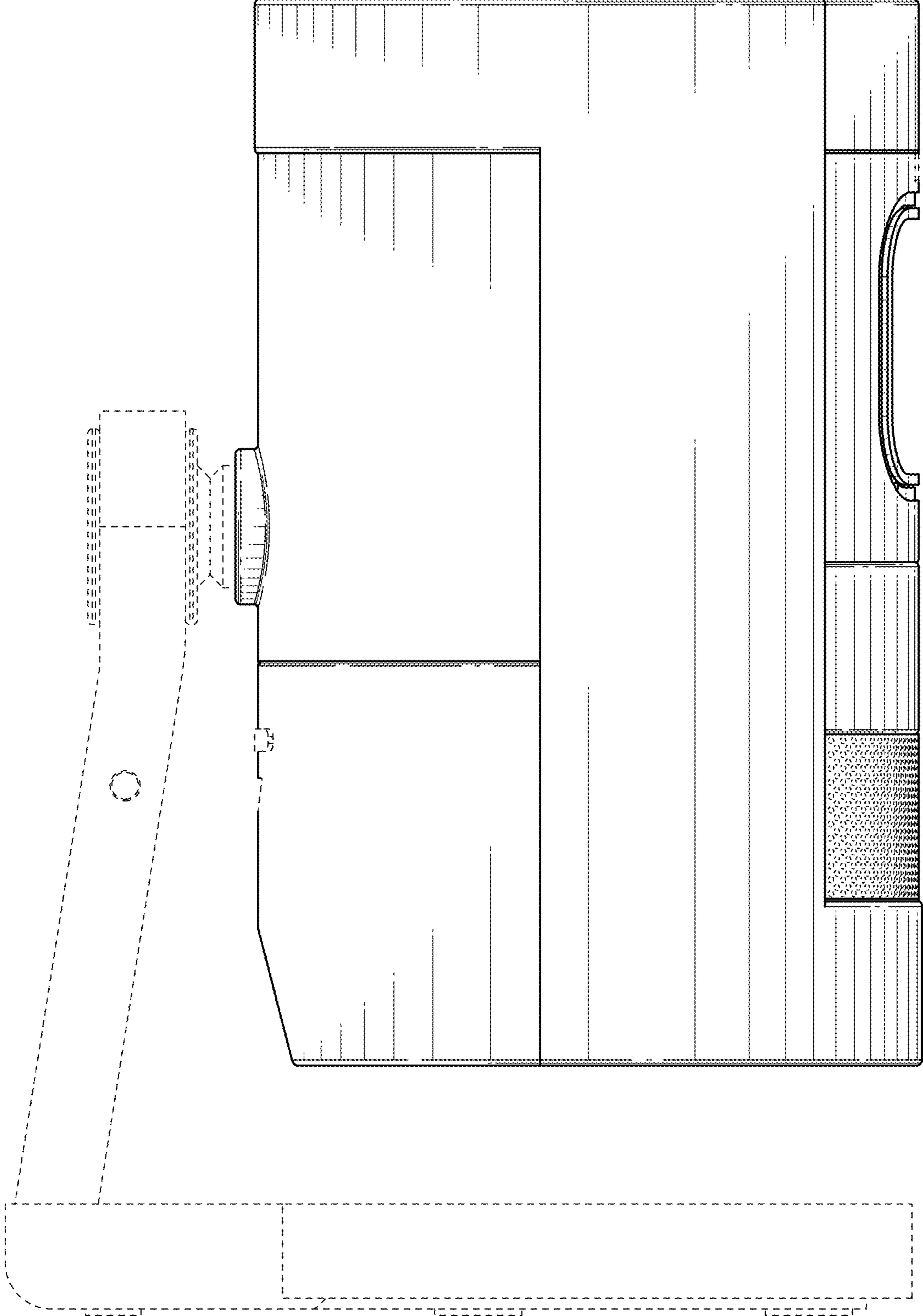


FIG. 14

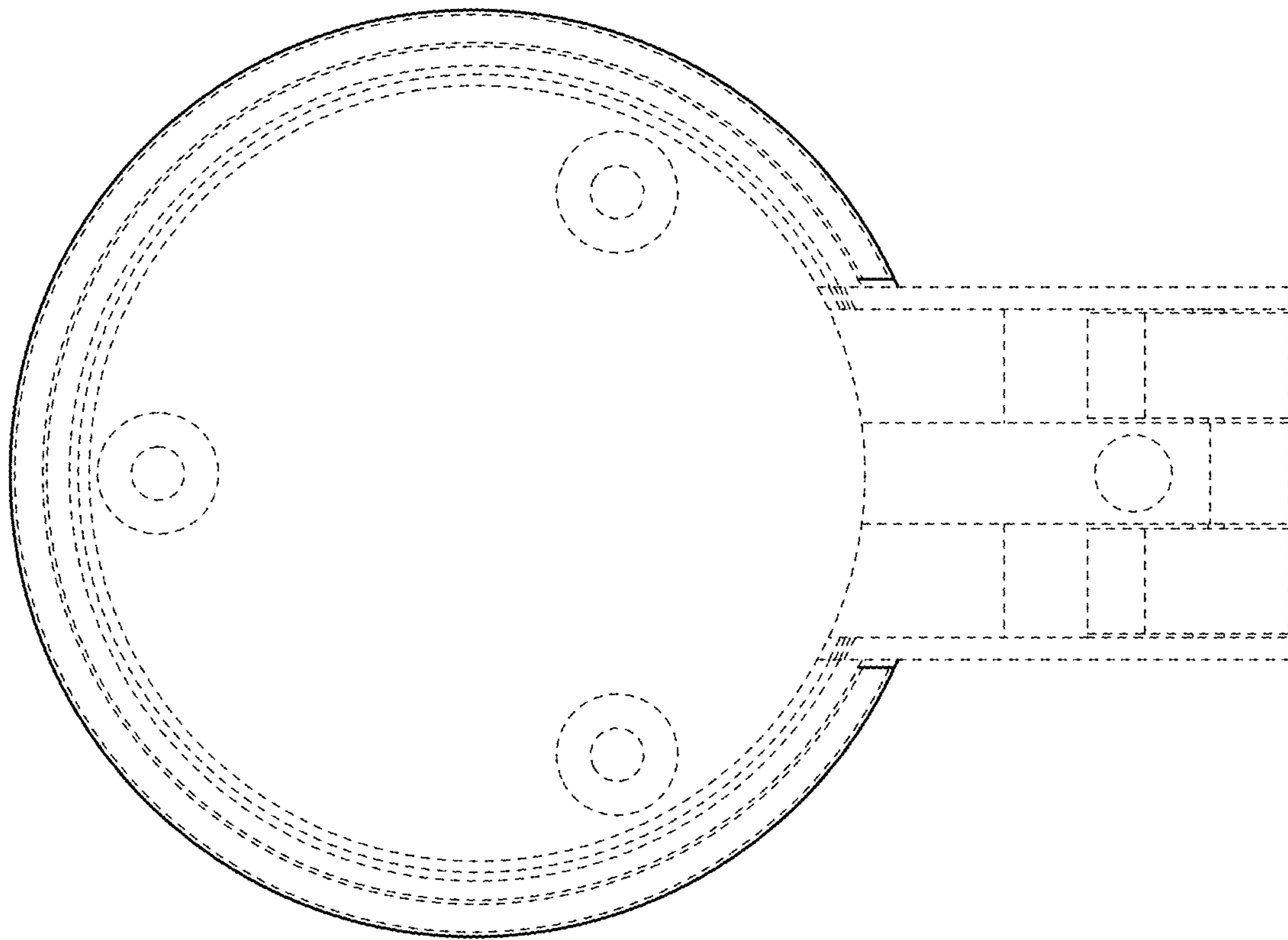


FIG. 16

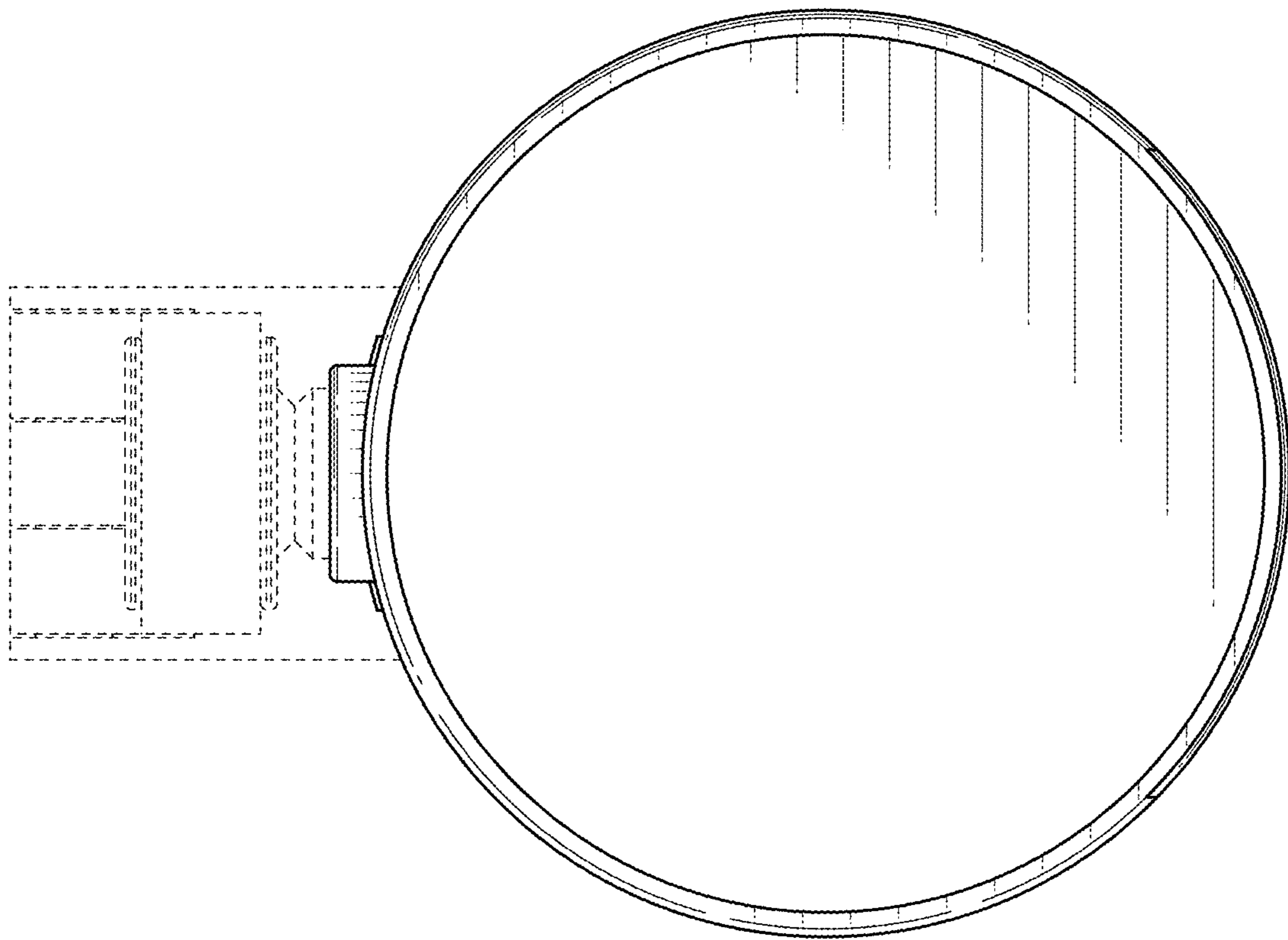


FIG. 15



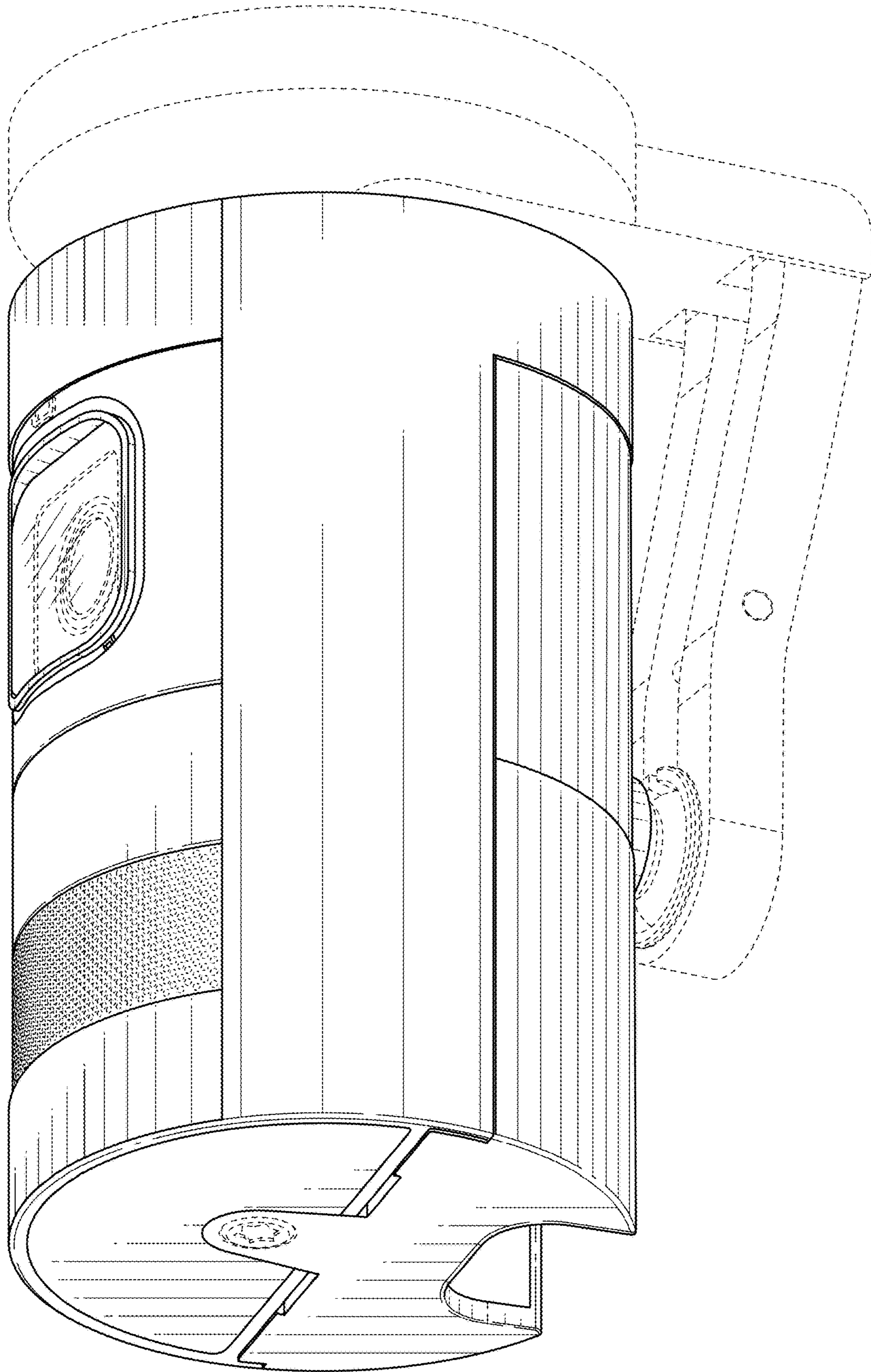


FIG. 17

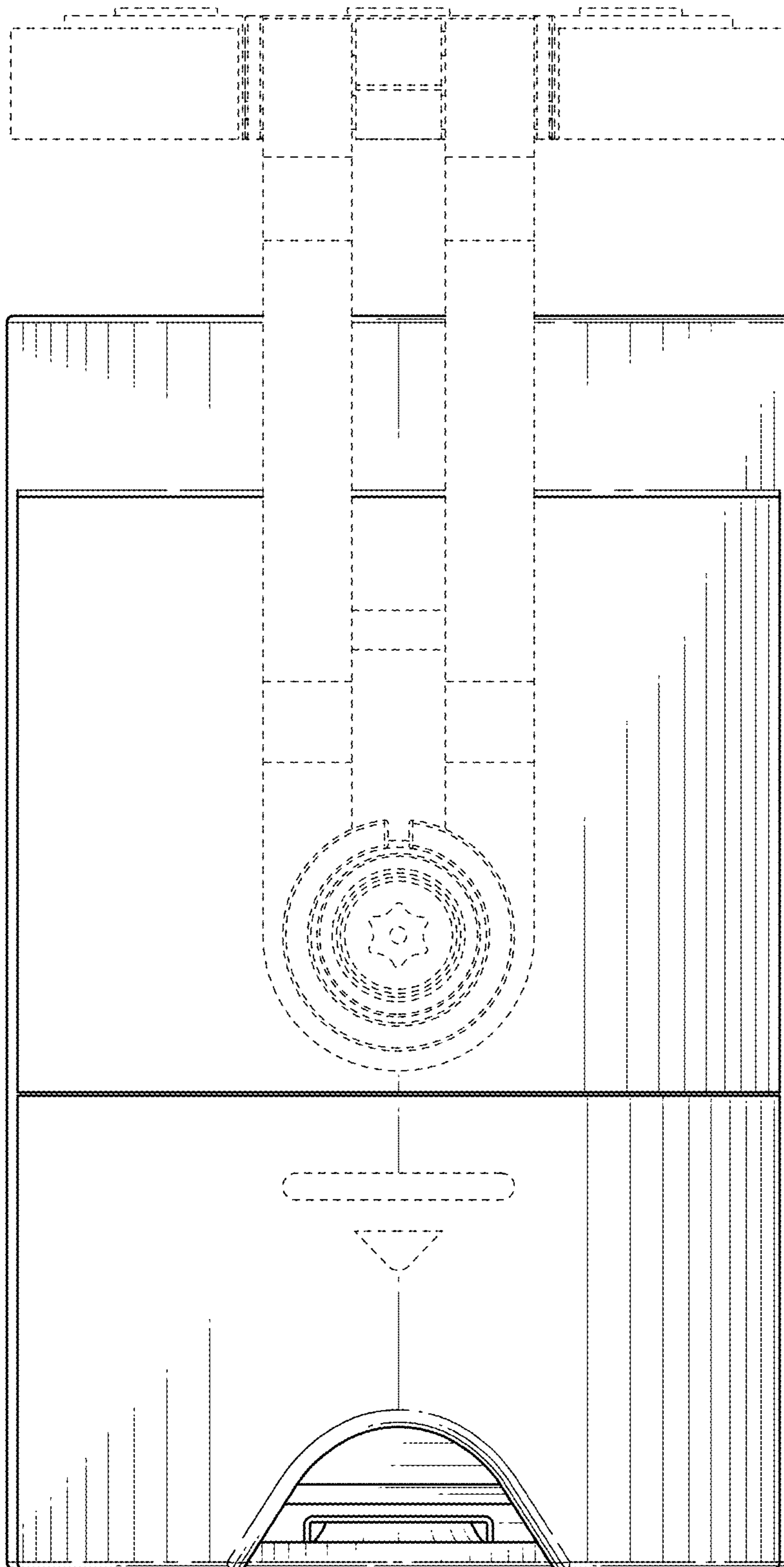


FIG. 18