



US00D873319S

(12) **United States Design Patent**
Mitrovich

(10) **Patent No.:** **US D873,319 S**
(45) **Date of Patent:** **** *Jan. 21, 2020**

- (54) **LUBRICANT STICK**
- (71) Applicant: **MPL Innovations, Inc.**, Seattle, WA
(US)
- (72) Inventor: **Michael J. Mitrovich**, Seattle, WA
(US)
- (73) Assignee: **MPL Innovations, Inc.**, Seattle, WA
(US)
- (*) Notice: This patent is subject to a terminal disclaimer.
- (**) Term: **15 Years**
- (21) Appl. No.: **29/627,908**
- (22) Filed: **Nov. 30, 2017**
- (51) **LOC (12) Cl.** **15-09**
- (52) **U.S. Cl.**
USPC **D15/150**
- (58) **Field of Classification Search**
USPC D15/138, 150, 151, 152
CPC B61K 3/00; B61K 3/02; C10N 2240/02;
C10N 2240/08; F16N 15/00; F16N 15/02;
F16N 15/05; F16N 15/0497
See application file for complete search history.

- 3,896,903 A 7/1975 Takimoto
 - 4,209,081 A 6/1980 Murro
 - 4,381,824 A 5/1983 Pastusek
 - 4,711,320 A 12/1987 Dombroski et al.
 - 4,915,195 A 4/1990 Dial
 - 5,054,582 A 10/1991 Aracil
- (Continued)

FOREIGN PATENT DOCUMENTS

EP 1880136 8/2012

OTHER PUBLICATIONS

“Final Office Action”, U.S. Appl. No. 10/812,666, dated Apr. 19, 2006, 9 pages.

(Continued)

Primary Examiner — Patricia A Palasik

(74) *Attorney, Agent, or Firm* — Colby Nipper PLLC

(57) **CLAIM**

I claim the ornamental design for a lubricant stick, as shown and described.

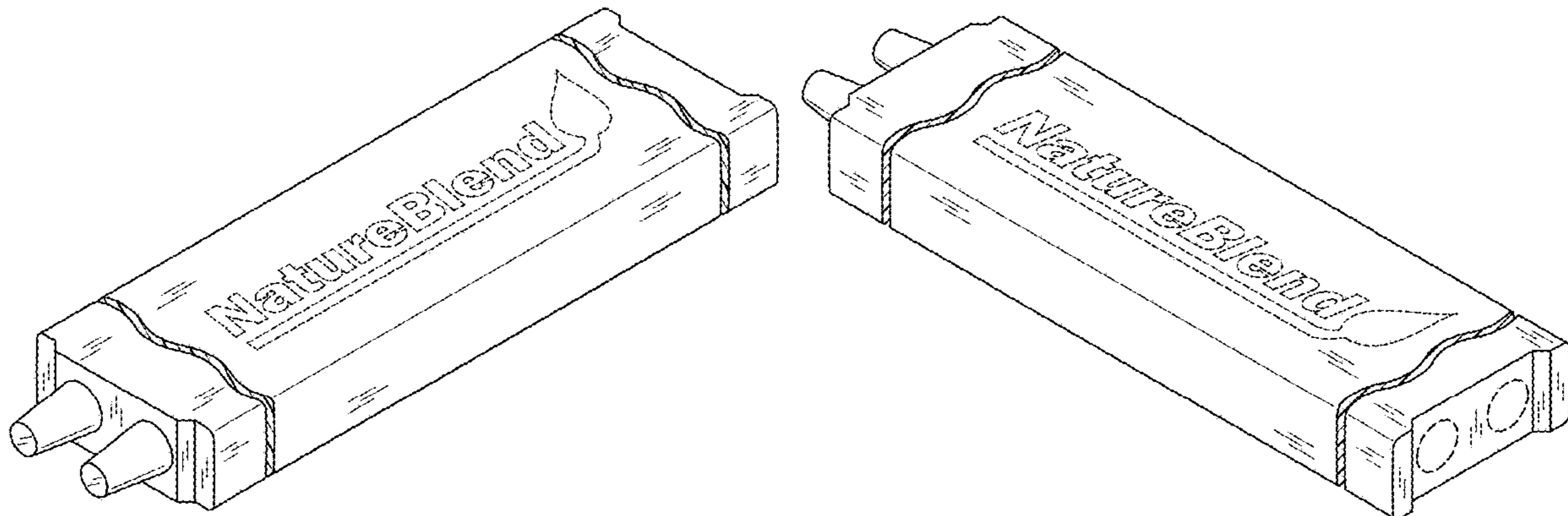
DESCRIPTION

FIG. 1 is a left-side perspective view of a lubricant stick showing my design;
 FIG. 2 is a right-side perspective view thereof;
 FIG. 3 is a top plan view thereof;
 FIG. 4 is a left-side elevation view thereof, it being understood that the opposite side is a mirror image of that shown;
 FIG. 5 is a bottom plan view thereof;
 FIG. 6 is a front elevation view thereof; and,
 FIG. 7 is a rear elevation view thereof.

The broken lines shown represent unclaimed subject matter and form no part of the claimed design.
 The lubricant stick is shown with a symbolic break in its length. The appearance of any portion of the article between the break lines forms no part of the claimed design.

1 Claim, 2 Drawing Sheets

- (56) **References Cited**
- U.S. PATENT DOCUMENTS**
- 1,010,237 A 11/1911 Conniff
- 1,010,935 A 12/1911 Meek
- 1,097,921 A 5/1914 Faul
- 1,222,341 A 4/1917 Wholey
- 1,438,026 A 12/1922 Eichelberger
- 1,694,153 A 12/1928 Faul
- 2,489,442 A 11/1949 Whiting
- 2,589,582 A 3/1952 Strughold et al.
- 2,866,521 A 12/1958 Gibson
- 2,903,090 A 9/1959 Brown et al.
- 3,027,974 A 4/1962 Allen



(56)

References Cited

U.S. PATENT DOCUMENTS

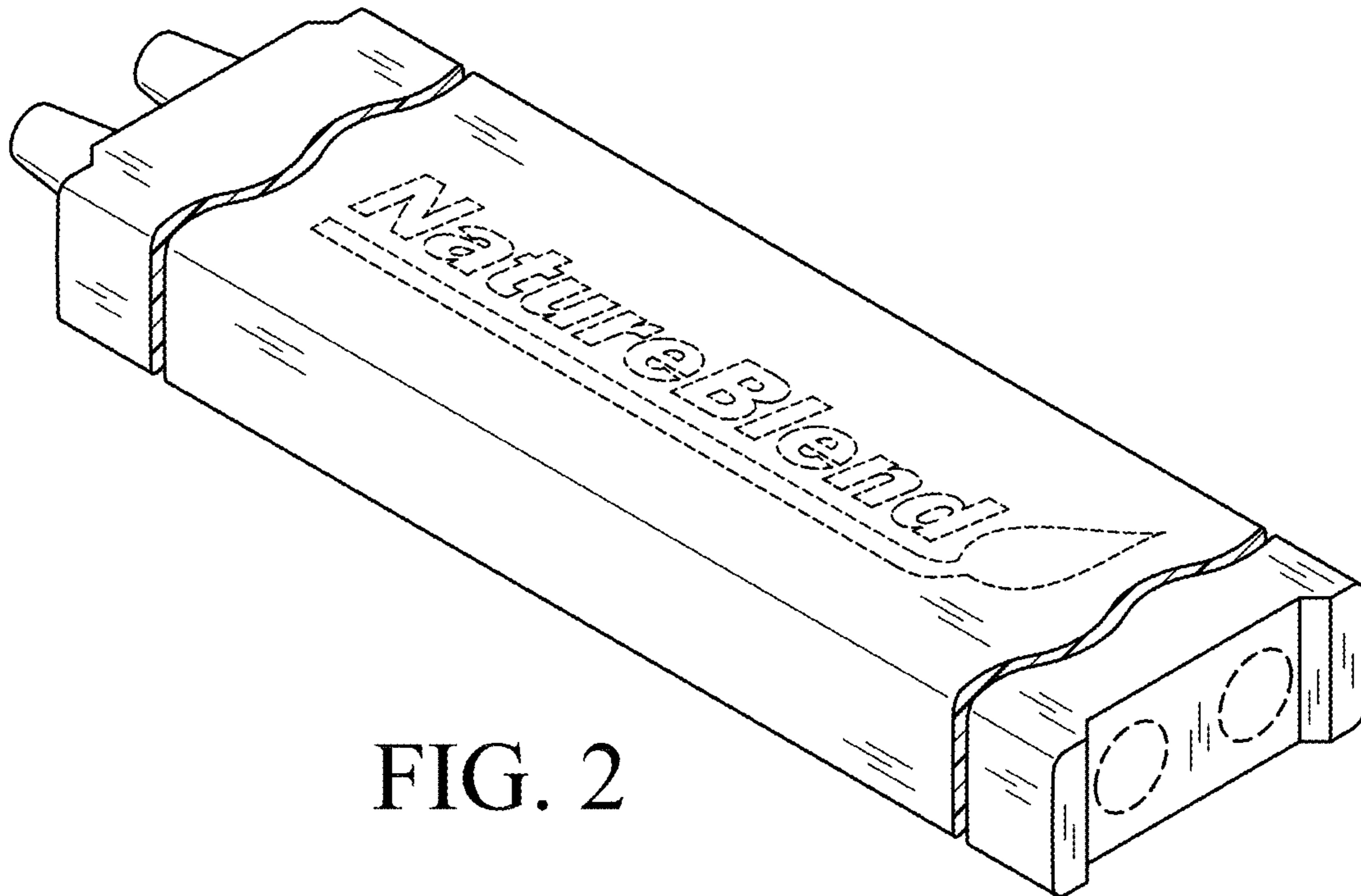
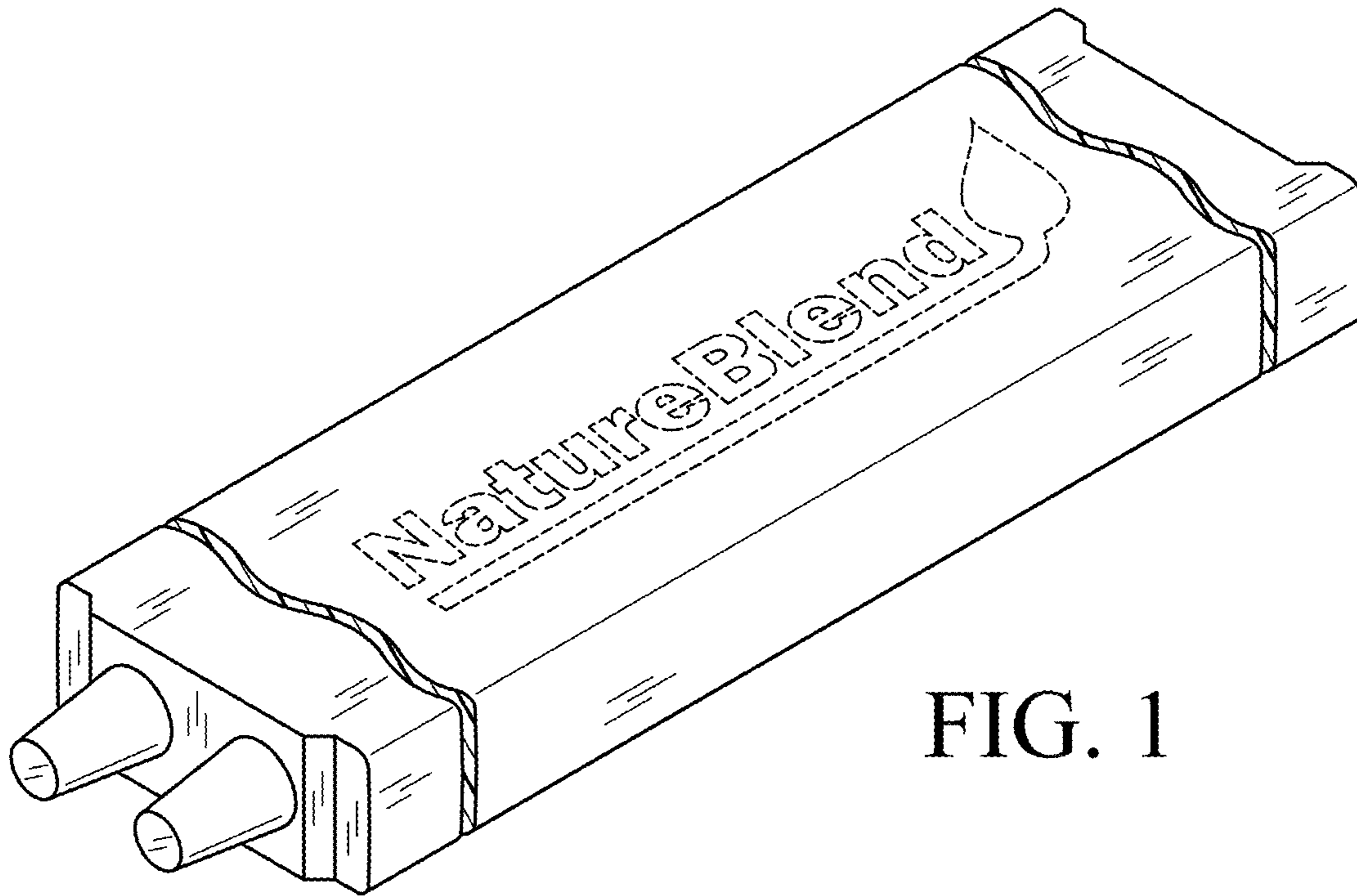
5,251,724 A 10/1993 Szatkowski et al.
 5,305,853 A 4/1994 Ross et al.
 5,337,860 A 8/1994 Burke et al.
 5,358,072 A 10/1994 Szatkowski et al.
 5,478,316 A 12/1995 Bitdinger et al.
 5,518,085 A 5/1996 Houser, Jr. et al.
 5,668,091 A * 9/1997 Grinham C10M 111/00
 5,992,568 A * 11/1999 Craig B61K 3/02
 6,182,793 B1 2/2001 Jamison
 6,649,573 B2 * 11/2003 Mitrovich B82Y 30/00
 7,449,433 B1 * 11/2008 Honary B61K 3/00
 7,820,598 B2 * 10/2010 Mitrovich B82Y 30/00
 8,445,416 B2 * 5/2013 Cotter B61K 3/00
 2002/0020793 A1 2/2002 Chalmers
 2003/0101897 A1 6/2003 Mitrovich et al.
 2004/0179887 A1 9/2004 Hui et al.
 2004/0238282 A1 12/2004 Mitrovich

2006/0264336 A1 11/2006 Hui
 2007/0135315 A1 * 6/2007 Mitrovich C10M 169/04
 2007/0142236 A1 * 6/2007 Mitrovich B82Y 30/00
 2018/0127676 A1 * 5/2018 Lahouij C10M 141/10

OTHER PUBLICATIONS

“MPL Technology Stick Design”, MPL Innovations, Inc., Mar. 2014, 1 page.
 “Non-Final Office Action”, U.S. Appl. No. 10/812,666, dated Jan. 5, 2006, 9 pages.
 “Non-Final Office Action”, U.S. Appl. No. 10/812,666, dated Sep. 20, 2005, 5 pages.
 Pursuant to MPEP § 2001.6(b) applicants bring the following co-pending applications to the Examiner’s attention: U.S. Appl. No. 29/627,915 and U.S. Appl. No. 29/627,921.
 “Non-Final Office Action”, U.S. Appl. No. 29/627,921, dated May 29, 2019, 4 pages.
 “Notice of Allowance”, U.S. Appl. No. 29/627,915, dated Jun. 4, 2019, 6 pages.
 “Notice of Allowance”, U.S. Appl. No. 29/627,921, dated Sep. 4, 2019, 5 Pages.

* cited by examiner



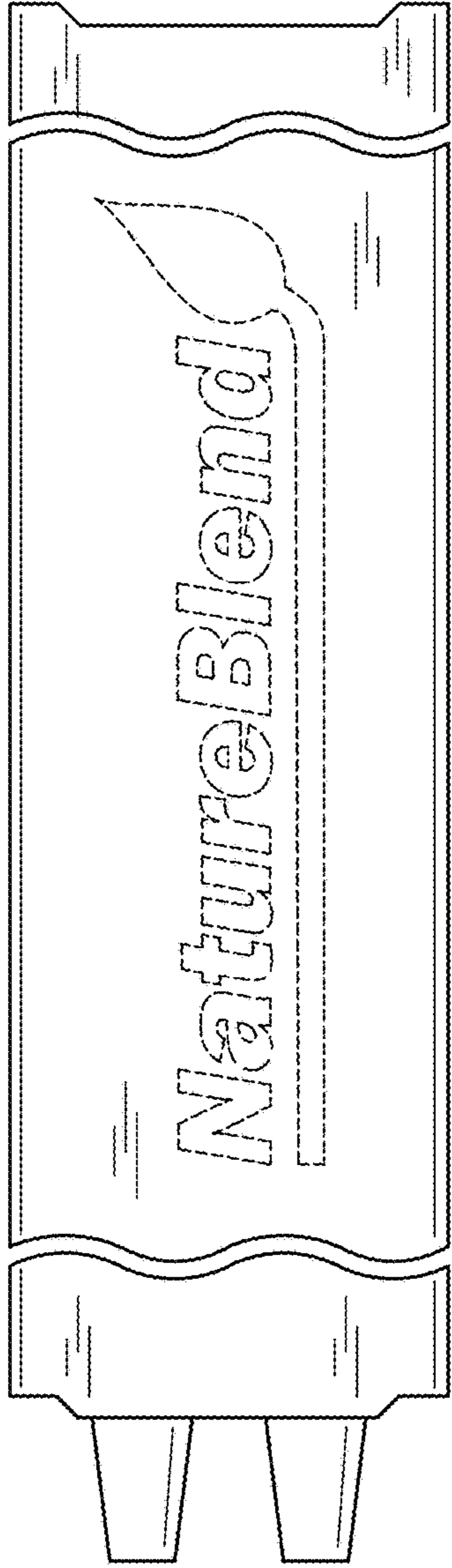


FIG. 3

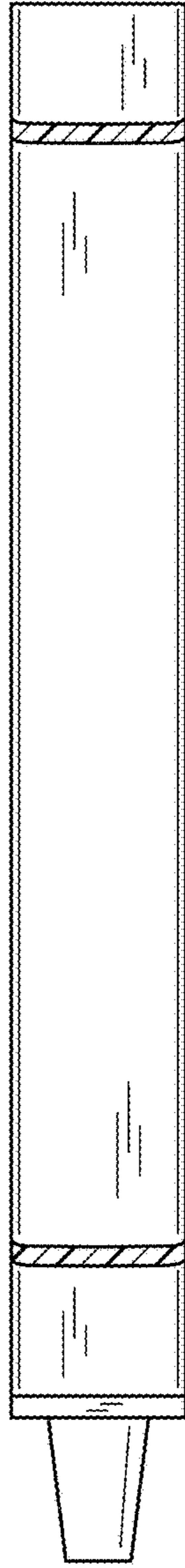


FIG. 4

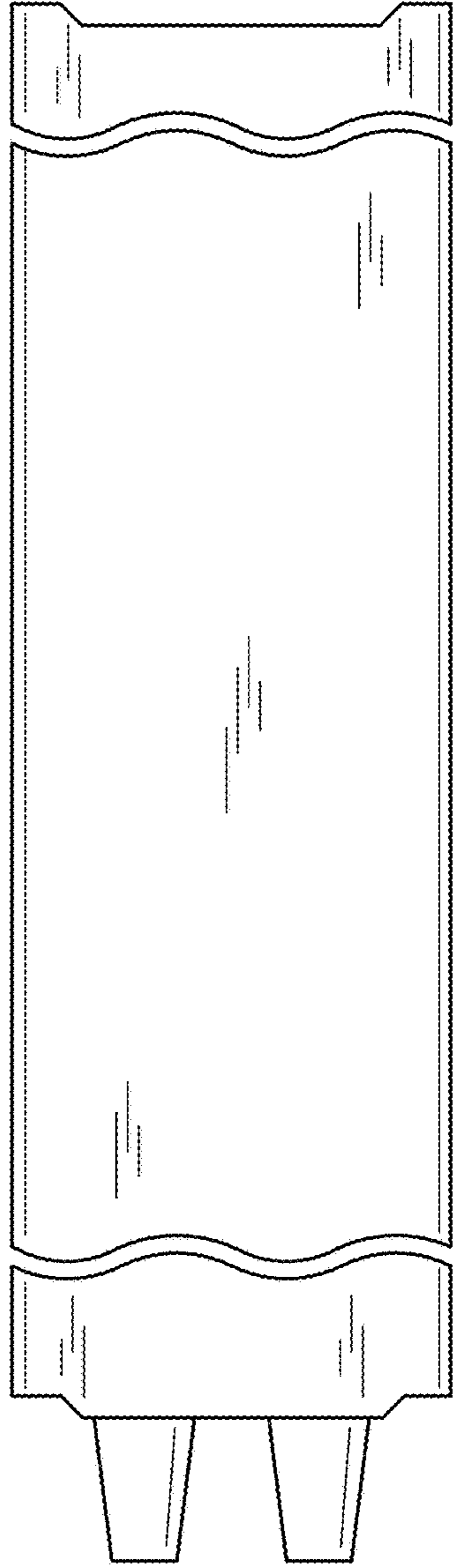


FIG. 5

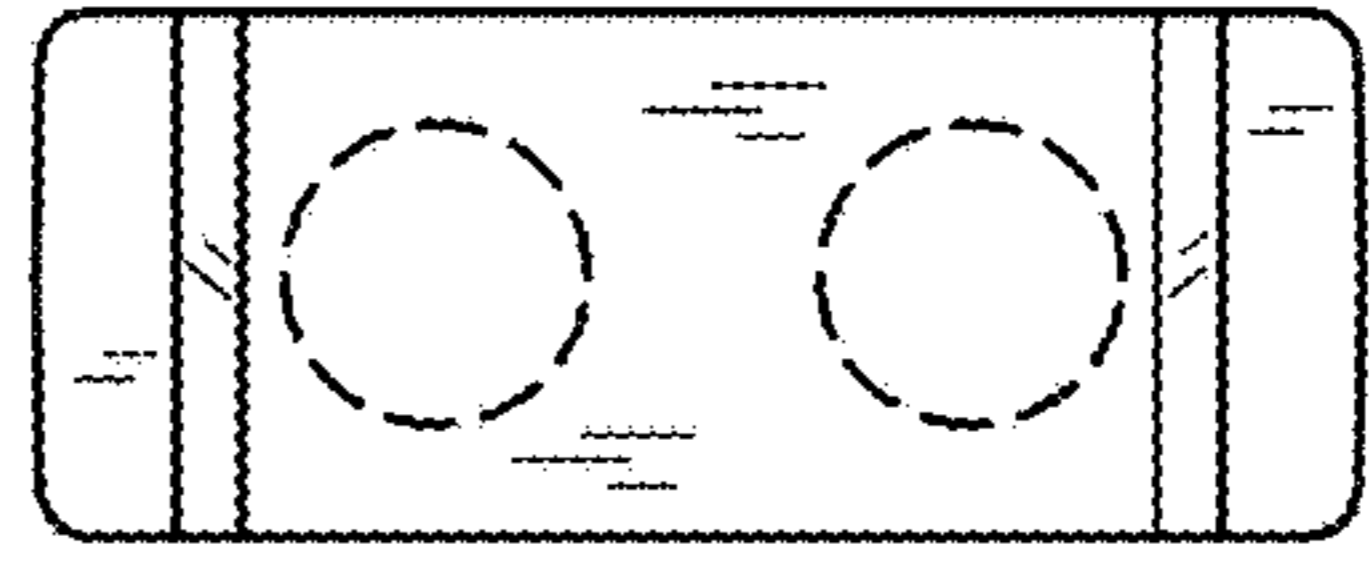


FIG. 6

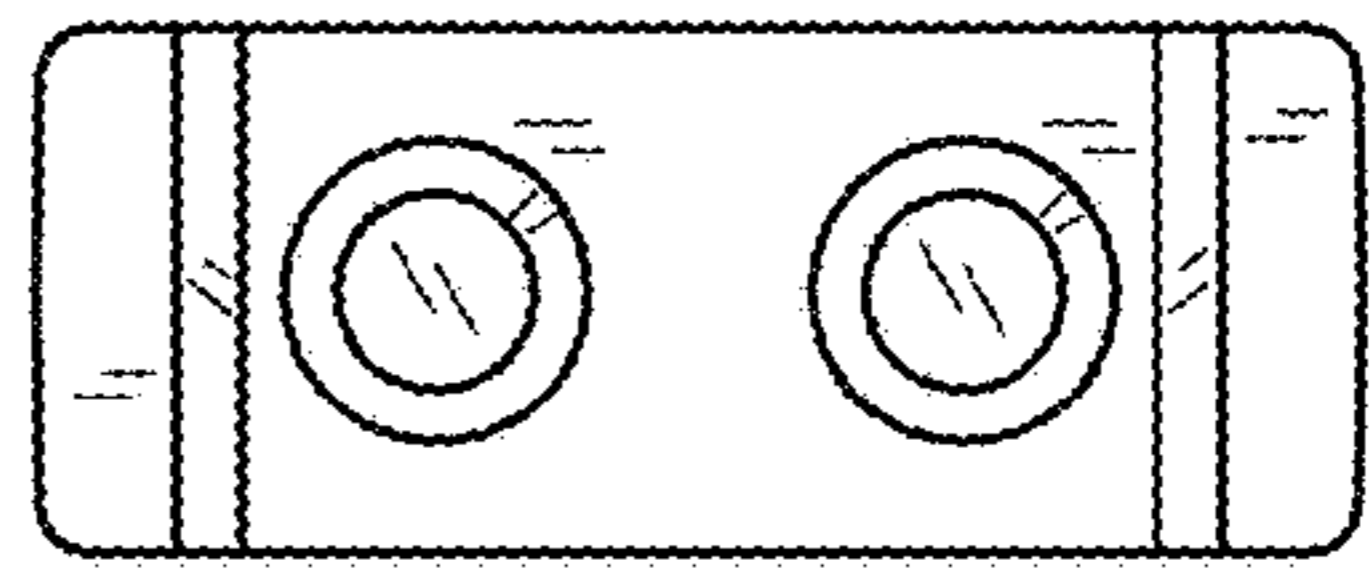


FIG. 7