



US00D873318S

(12) **United States Design Patent** (10) **Patent No.:** **US D873,318 S**
Andersson et al. (45) **Date of Patent:** **** Jan. 21, 2020**

(54) **GEAR**
(71) Applicant: **Flender GmbH**, Bocholt (DE)
(72) Inventors: **Jan Andersson**, Erlangen (DE); **Volker Düvel**, Bocholt (DE); **Stephan Hühne**, Wilhermsdorf (DE)
(73) Assignee: **FLENDER GMBH**, Bocholt (DE)
(**) Term: **15 Years**
(21) Appl. No.: **29/661,142**
(22) Filed: **Aug. 24, 2018**
(30) **Foreign Application Priority Data**

D553,654 S * 10/2007 Betz D15/148
D598,938 S * 8/2009 Mijno D15/148
D604,347 S * 11/2009 Wittenstein D15/149
D618,262 S * 6/2010 Siegfried D15/148
D619,631 S * 7/2010 Otsuka D15/149
D638,454 S * 5/2011 Torii D15/143
D639,321 S * 6/2011 Torii D15/143
D673,196 S * 12/2012 von Hafen D15/148
D673,197 S * 12/2012 von Hafen D15/148
D674,828 S * 1/2013 Andersson D15/148
D679,303 S * 4/2013 Cibien D15/149
D685,404 S * 7/2013 Andersson D15/148
D703,253 S * 4/2014 Lannoch D15/148
D704,756 S * 5/2014 Voelker D15/148
D740,867 S * 10/2015 Barta D15/148
D769,952 S * 10/2016 Andersson D15/148
D780,119 S * 2/2017 Schieck D13/112
D781,943 S * 3/2017 Ries D15/148
D798,928 S * 10/2017 Ebner D15/148
2004/0166986 A1 * 8/2004 Bayer F16H 1/28
475/331

Feb. 27, 2018 (EM) 004727683

(51) **LOC (12) Cl.** **15-09**
(52) **U.S. Cl.**
USPC **D15/148**
(58) **Field of Classification Search**
USPC D15/148, 149
CPC B62M 1/105; F16D 11/14; F16H 33/06;
F16H 63/30; F16H 3/091; F16H
2063/3093
See application file for complete search history.

(Continued)

Primary Examiner — Patricia A Palasik
(74) *Attorney, Agent, or Firm* — Henry M. Feiereisen
LLC

(57) **CLAIM**

The ornamental design for a gear, as shown and described.

DESCRIPTION

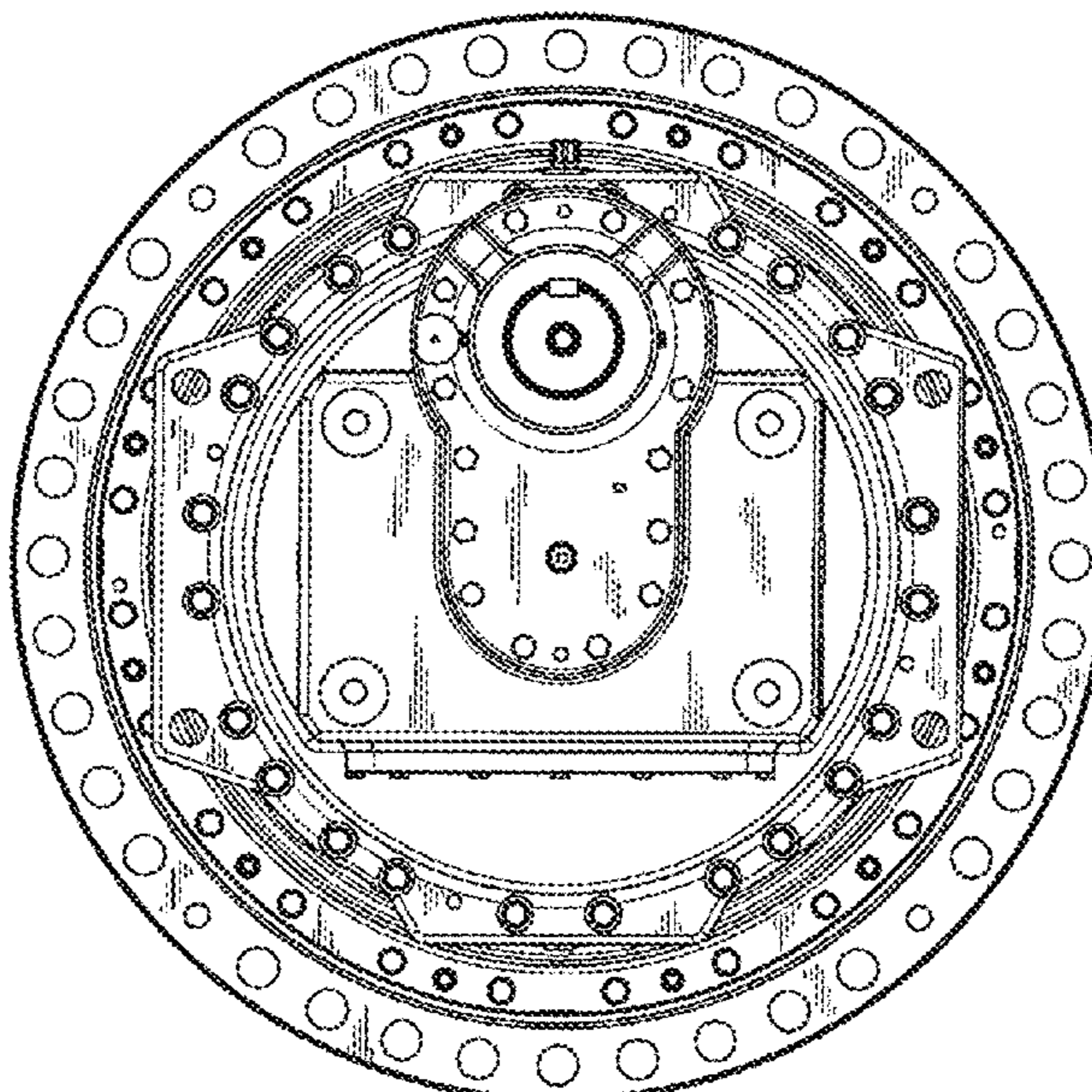
FIG. 1 is a front view of the gear, showing our new designs;
FIG. 2 is a rear view thereof;
FIG. 3 is a top view thereof;
FIG. 4 is a bottom view thereof;
FIG. 5 is a right side view thereof;
FIG. 6 is a left side view thereof; and,
FIG. 7 is a top, front and left side perspective view thereof.
The broken lines in the drawings depict portions of the gear
which form no part of the claimed design.

(56) **References Cited**

U.S. PATENT DOCUMENTS

D277,763 S * 2/1985 Borgersen D15/149
D417,229 S * 11/1999 Lannoch D15/148
D479,541 S * 9/2003 Lannoch D15/148
D479,543 S * 9/2003 Lannoch D15/148
D497,374 S * 10/2004 Wittenstein D15/148
D514,607 S * 2/2006 Wittenstein D15/148
D529,939 S * 10/2006 Wilhelm D15/148
D533,204 S * 12/2006 Kinoshita D15/149
D543,565 S * 5/2007 Kopecki D15/149

1 Claim, 7 Drawing Sheets



(56)

References Cited

U.S. PATENT DOCUMENTS

2006/0096412 A1 * 5/2006 Wittenstein F16H 1/28
74/606 R

* cited by examiner

FIG 1

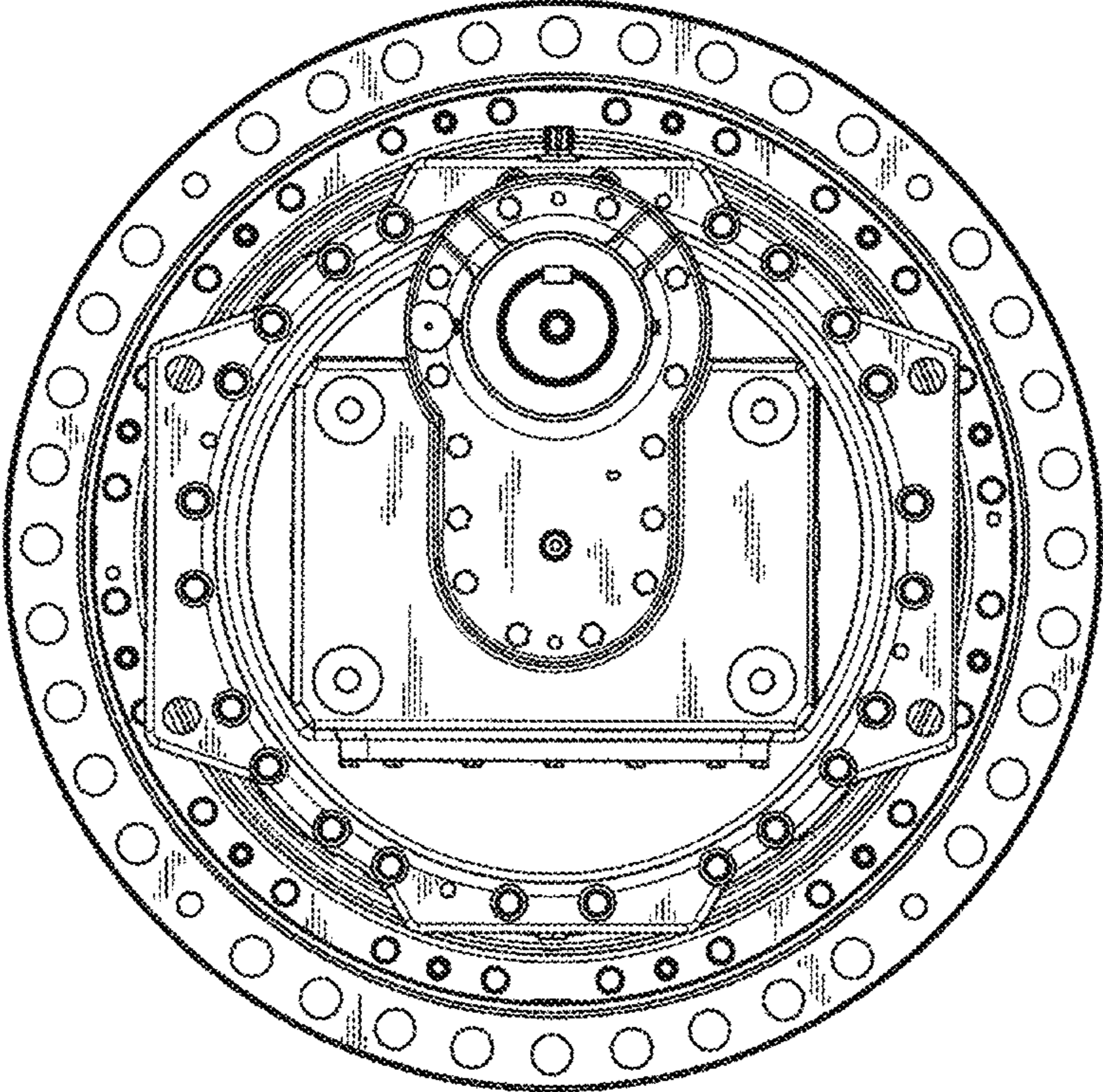


FIG 2

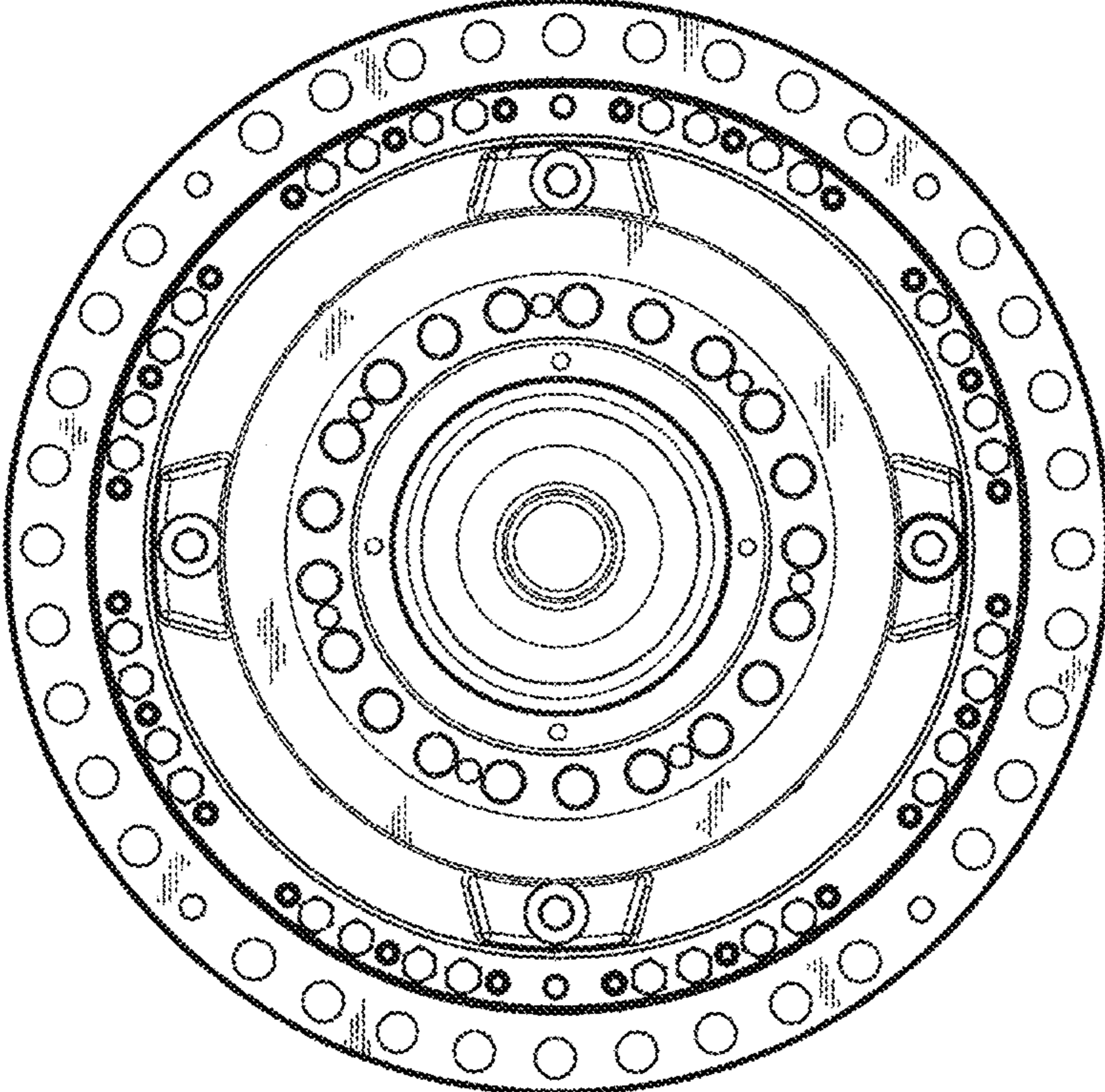


FIG 3

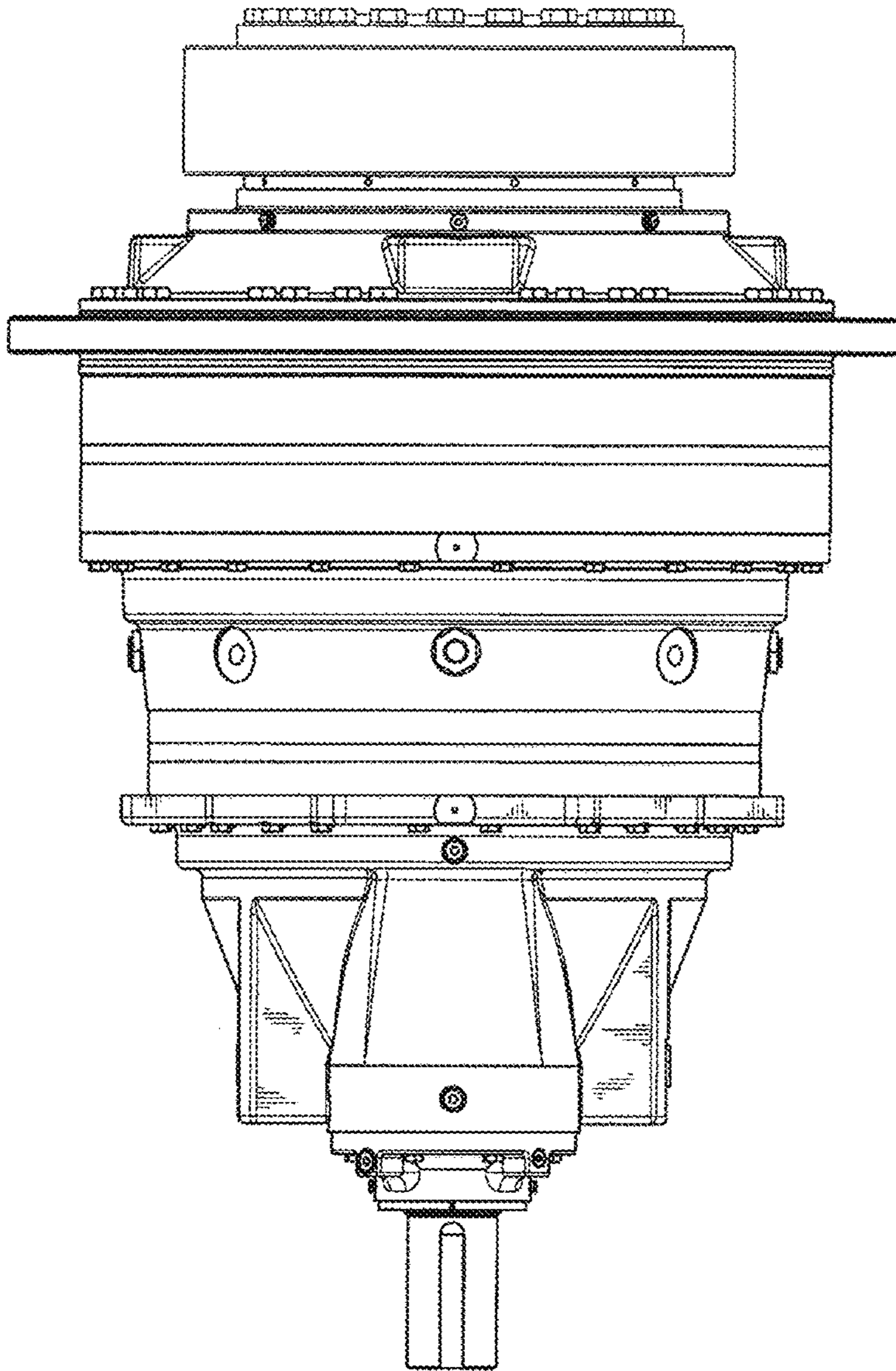


FIG 4

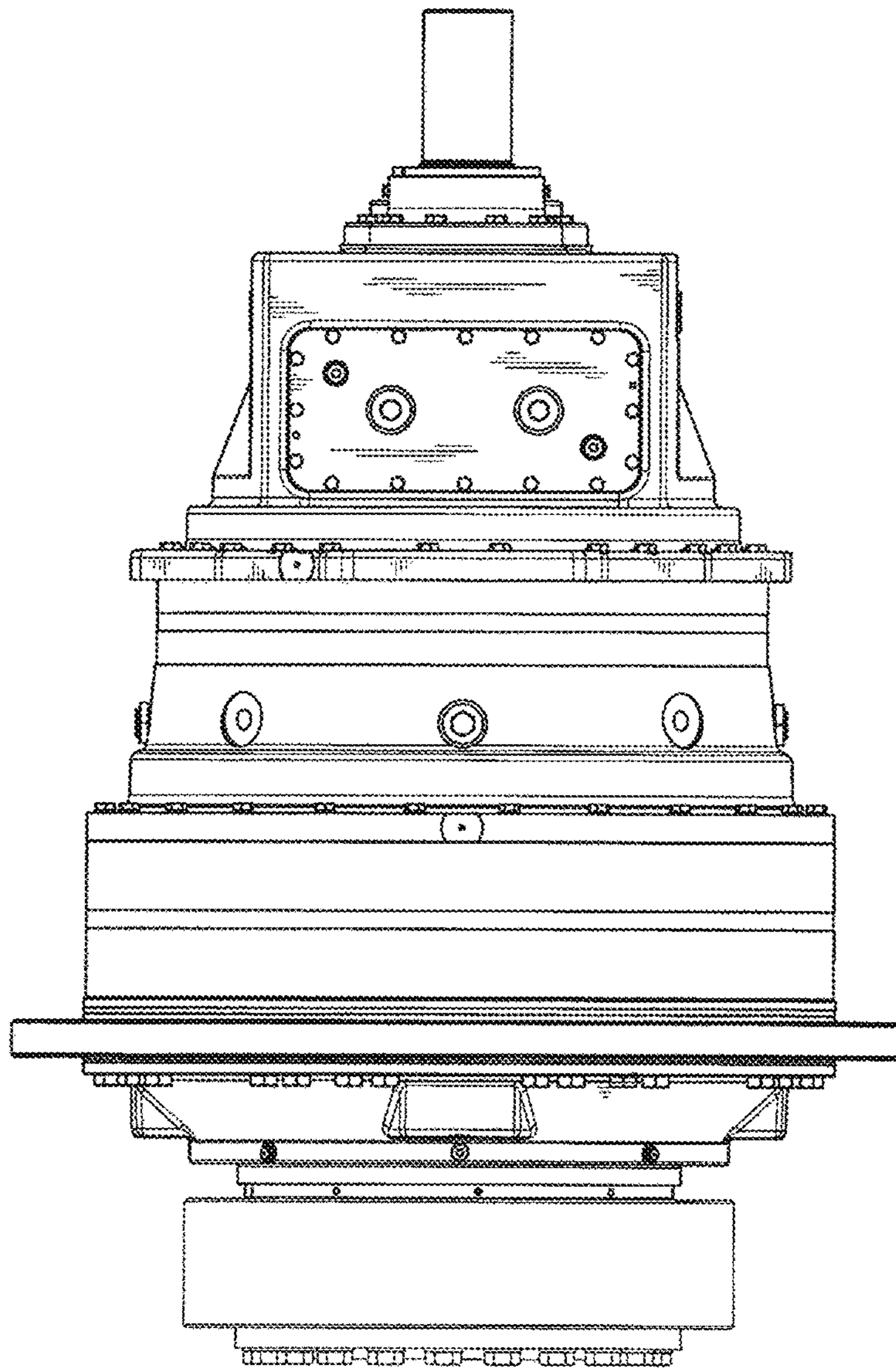


FIG 5

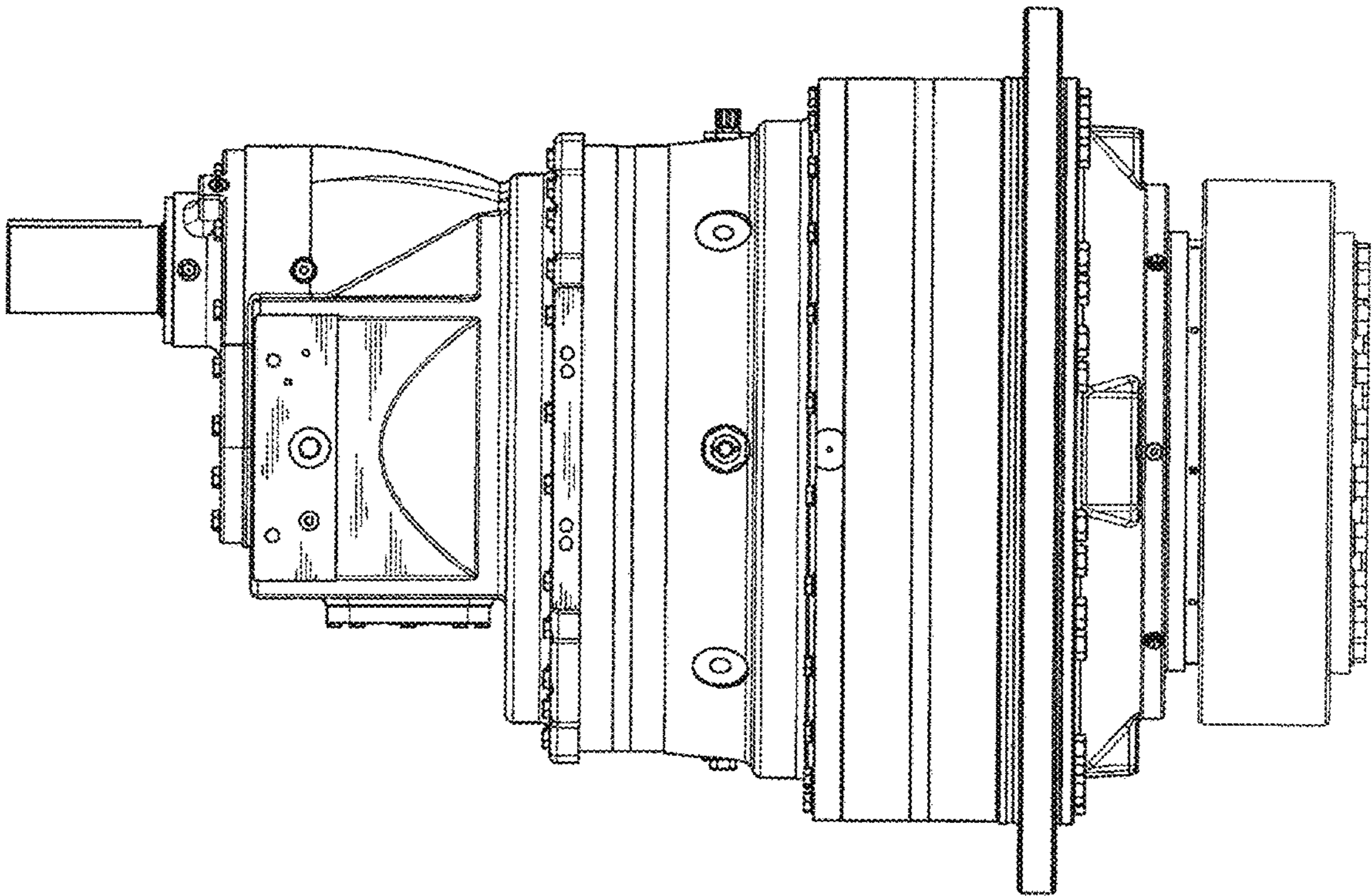


FIG 6

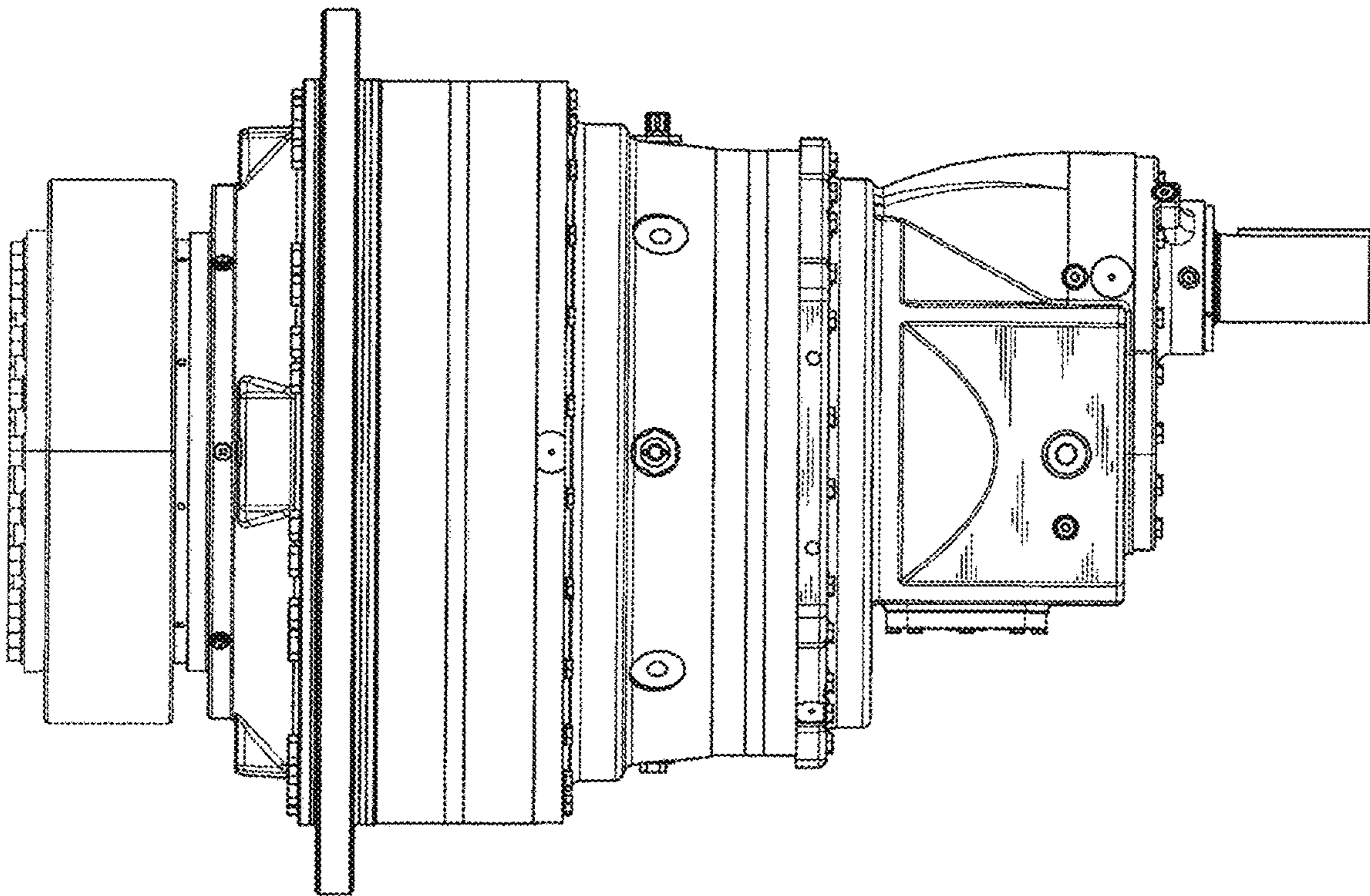


FIG 7

