

US00D873315S

(12) **United States Design Patent**
Abe

(10) **Patent No.:** **US D873,315 S**
(45) **Date of Patent:** **** Jan. 21, 2020**

(54) **SEALING BLADE FOR WORKING MACHINE**

(71) Applicant: **Bando Chemical Industries, Ltd.**,
Kobe-shi (JP)

(72) Inventor: **Yuki Abe**, Kobe (JP)

(73) Assignee: **Bando Chemical Industries, Ltd.**,
Kobe-shi (JP)

(**) Term: **15 Years**

(21) Appl. No.: **29/565,599**

(22) Filed: **May 23, 2016**

(30) **Foreign Application Priority Data**

Nov. 25, 2015 (JP) 2015-026298

(51) **LOC (12) Cl.** **15-09**

(52) **U.S. Cl.**
USPC **D15/139**

(58) **Field of Classification Search**

CPC B65B 3/022; B29C 49/04; B29C 49/42;
B29C 49/4817; B29C 65/00; B29C 65/02;
B29C 65/18; B29C 65/305; B29C 66/21;
B29C 66/80; B29C 66/232; B29C
66/1122; B29C 66/4312; B29C 66/8181;
B29C 66/8242; B29C 66/81419; B29C
66/81429; B29C 2049/4635; B29L
2031/7158

See application file for complete search history.

(56) **References Cited**

U.S. PATENT DOCUMENTS

1,595,395 A * 8/1926 Herbener G09F 17/00
116/173
1,951,653 A * 3/1934 Green B60R 19/52
24/293
D134,416 S * 11/1942 Mutch D2/979

D136,886 S * 12/1943 Sloane et al. D3/324
2,350,085 A * 5/1944 Yashan E06B 9/78
160/293.1
2,572,889 A * 10/1951 Strykower A45F 3/14
224/258
RE23,564 E * 10/1952 Hobson B29C 49/50
264/297.8
D172,298 S * 5/1954 Odencrants D11/208
3,081,781 A * 3/1963 Stermer A45D 8/34
132/273

(Continued)

FOREIGN PATENT DOCUMENTS

CN 204725229 U 10/2015
CN 204913465 U 12/2015

(Continued)

Primary Examiner — Patricia A Palasik

(74) *Attorney, Agent, or Firm* — The Webb Law Firm

(57) **CLAIM**

The ornamental design for a sealing blade for working machine, as shown and described.

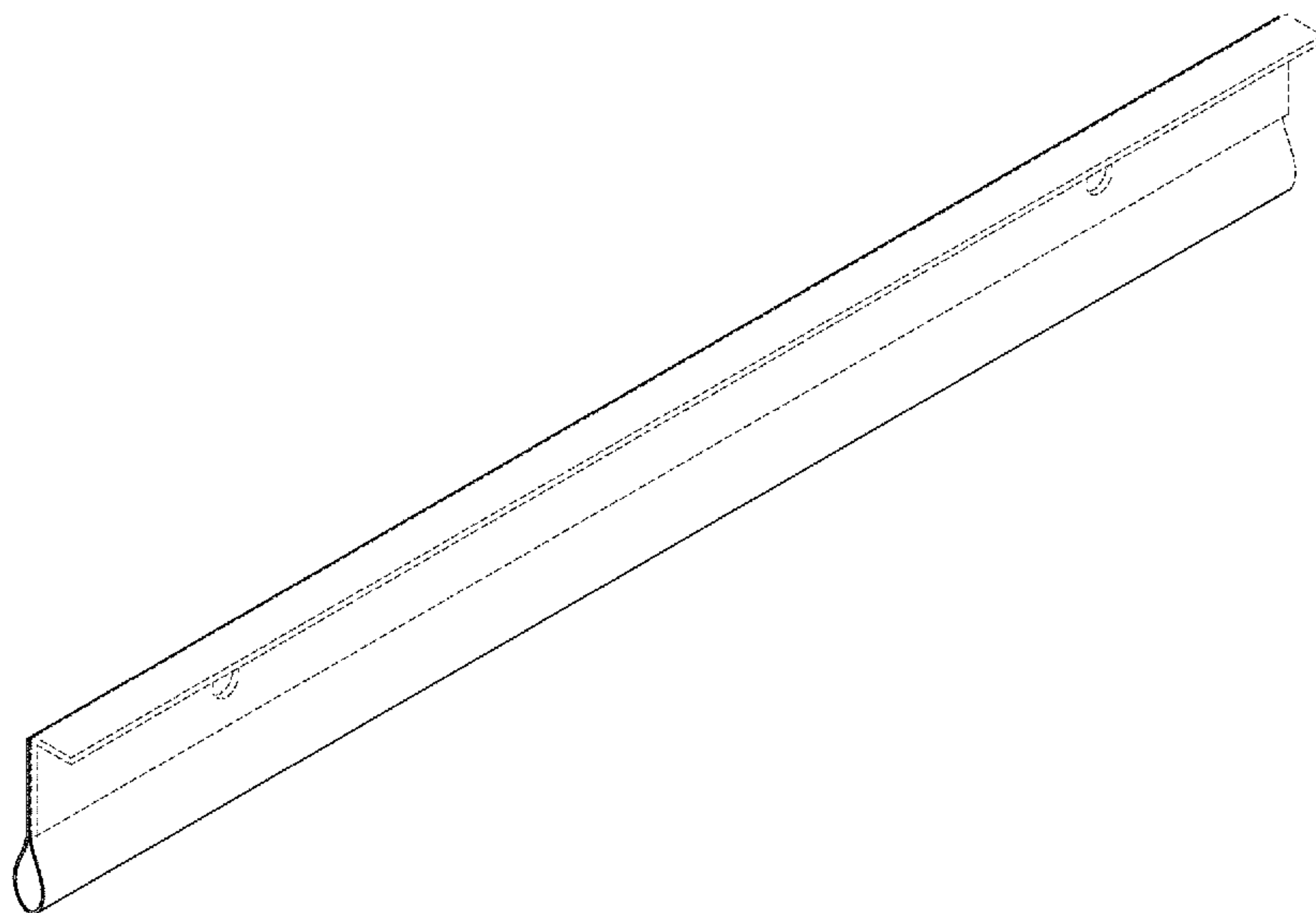
DESCRIPTION

FIG. 1 is a perspective view of a sealing blade for working machine, showing my new design;
FIG. 2 is a front view thereof;
FIG. 3 is a rear view thereof;
FIG. 4 is a top view thereof;
FIG. 5 is a bottom view thereof;
FIG. 6 is a right side view thereof;
FIG. 7 is a left side view thereof; and,
FIG. 8 is an enlarged left side view thereof.

The broken lines in the drawings depict unclaimed environmental subject matter.

The appearance of any portion of the sealing blade for working machine extending beyond the broken line at the right side edge forms no part of the claimed design.

1 Claim, 5 Drawing Sheets



(56)

References Cited

U.S. PATENT DOCUMENTS

2011/0067280 A1* 3/2011 Pender B29C 65/18
 40/604
 2011/0186246 A1* 8/2011 Lin E06B 9/56
 160/309
 2012/0285129 A1* 11/2012 Kamigaito B29C 65/02
 53/548
 2014/0076244 A1* 3/2014 Byrne A01K 27/003
 119/798
 2014/0166215 A1* 6/2014 Thomas A47H 2/00
 160/38
 2015/0136337 A1* 5/2015 Fraczek F16D 67/02
 160/291
 2016/0262353 A1* 9/2016 Arnold A01K 27/003
 2017/0247943 A1* 8/2017 Ng E06B 9/42
 2018/0202224 A1* 7/2018 Kumar E06B 9/42
 2019/0100960 A1* 4/2019 Chen E06B 9/34
 2019/0100961 A1* 4/2019 Kutell E06B 9/72

FOREIGN PATENT DOCUMENTS

JP 1523843 S 5/2015
 JP 1523849 S 5/2015
 TW M462735 U 10/2013
 TW D170799 S 10/2015
 TW D170800 S 10/2015

* cited by examiner

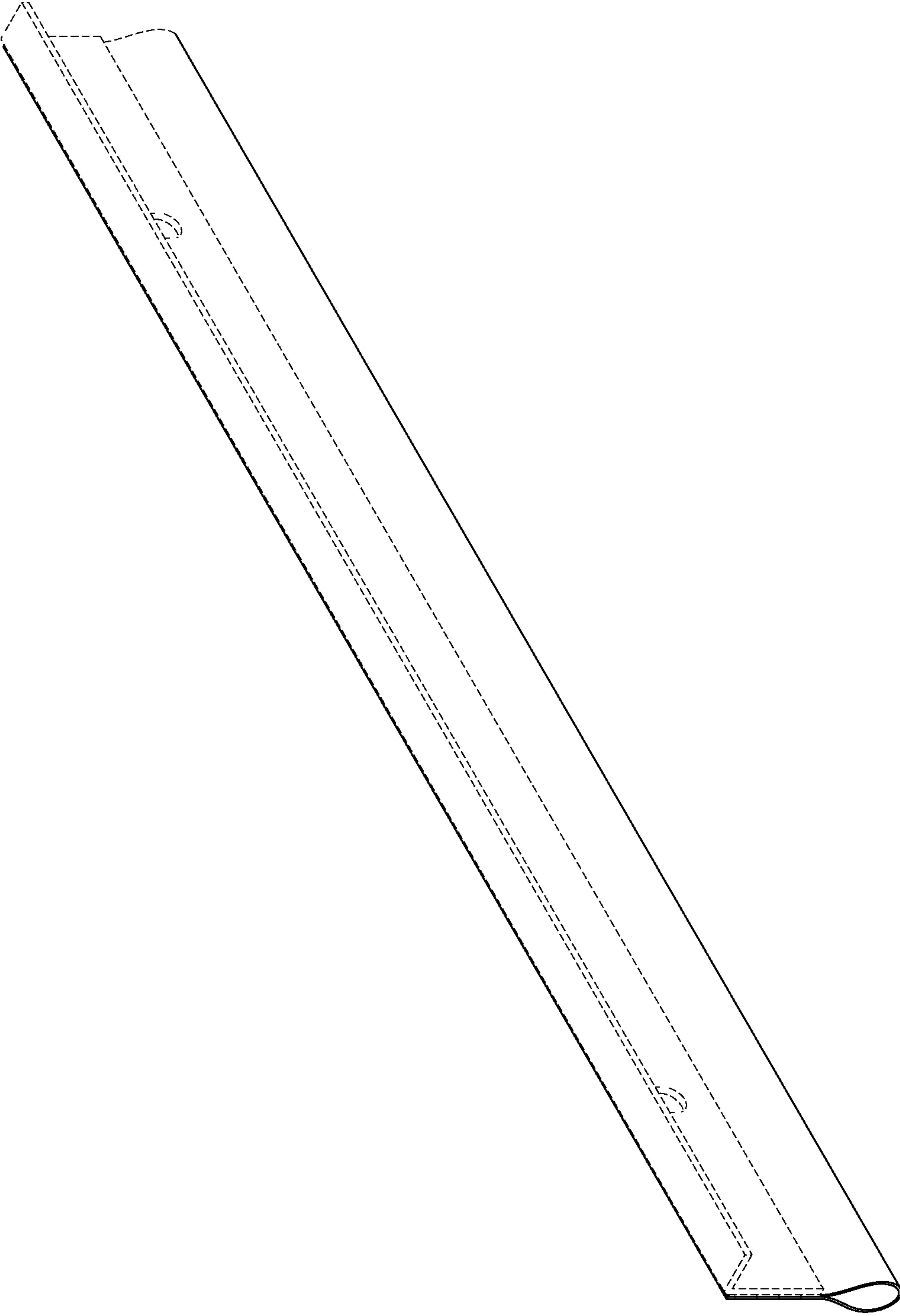


FIG. 1

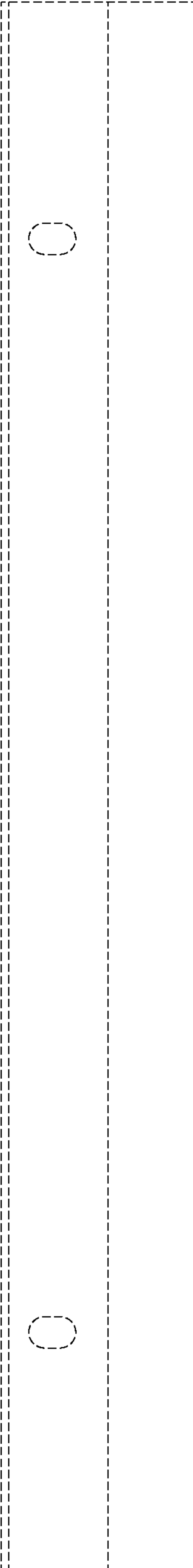


FIG. 2

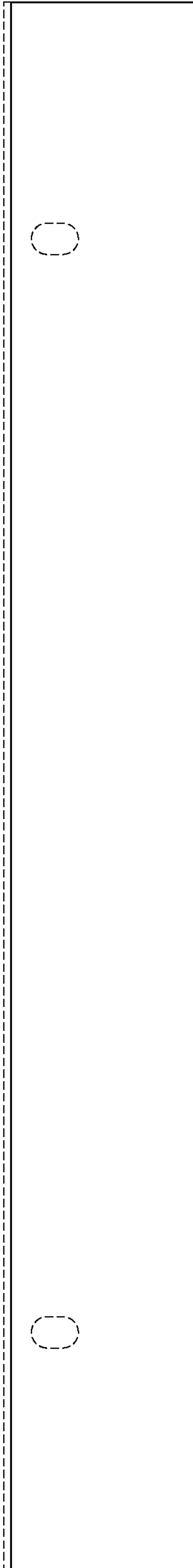


FIG. 3

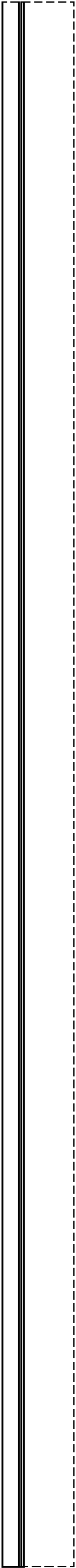


FIG. 4

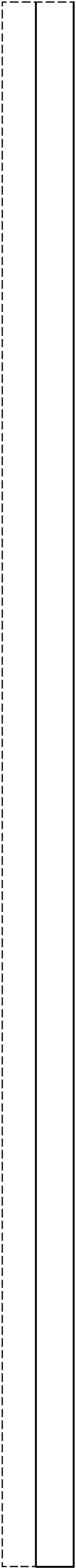


FIG. 5

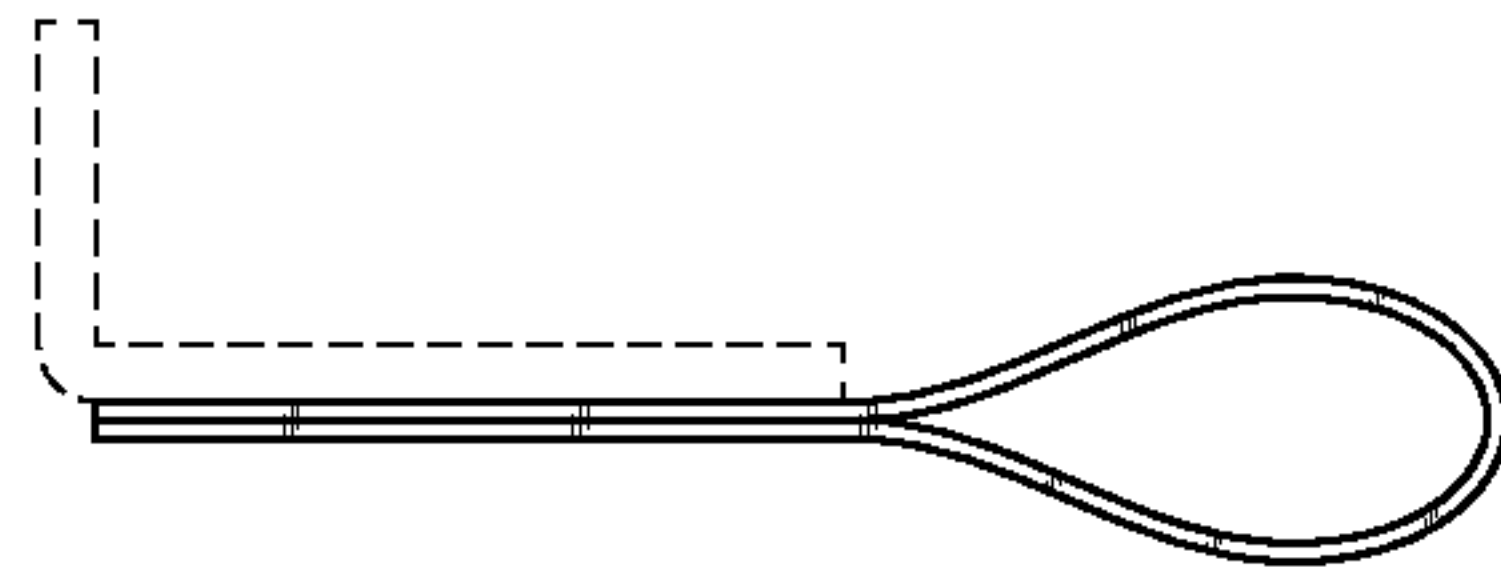


FIG. 7

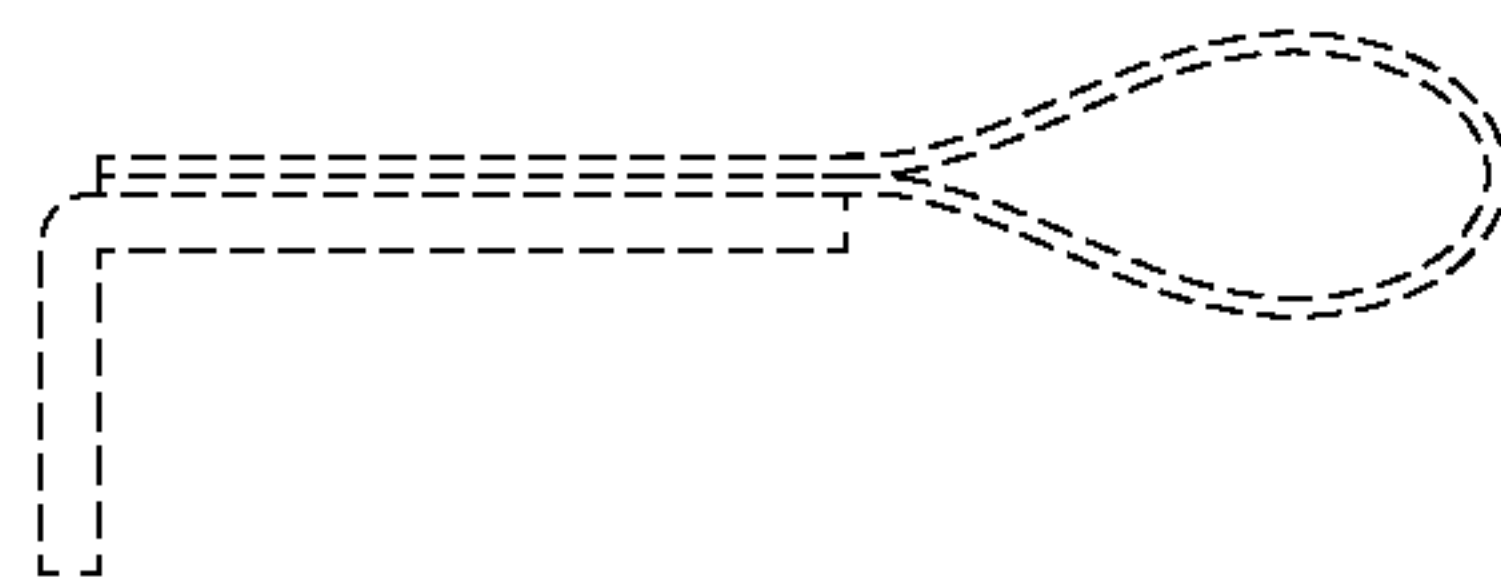


FIG. 6

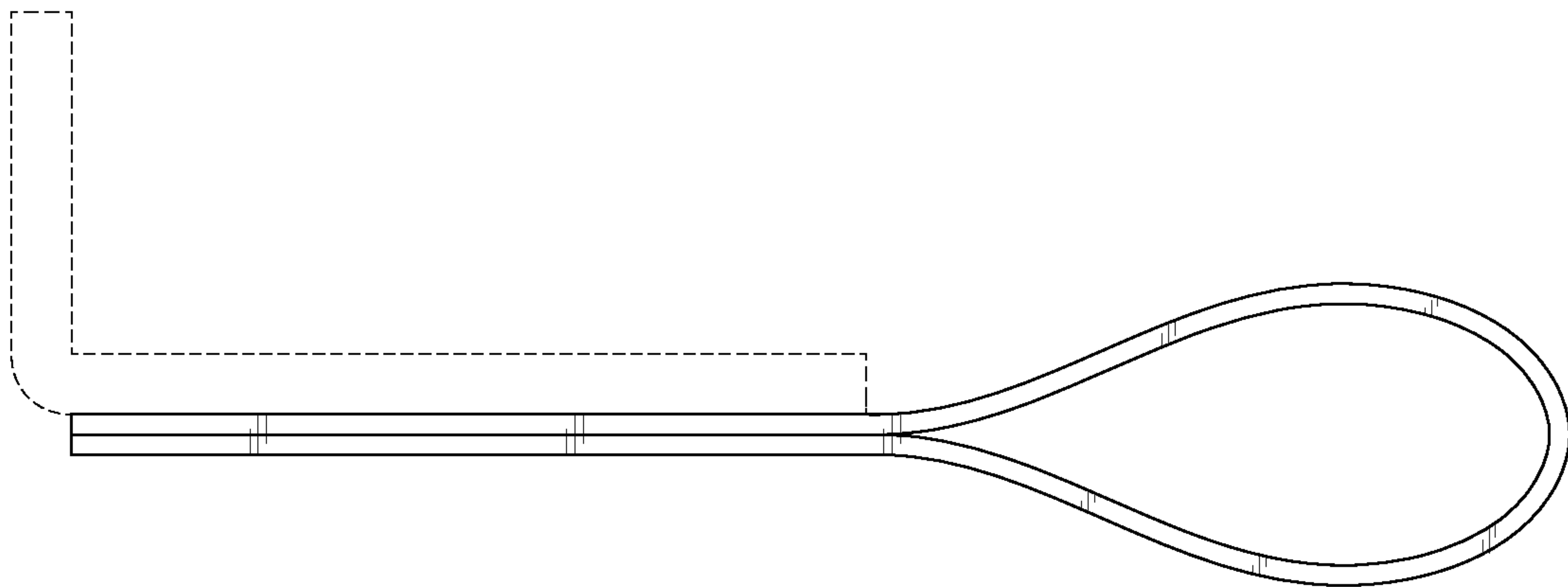


FIG. 8