



US00D873313S

(12) **United States Design Patent** (10) **Patent No.:** **US D873,313 S**  
**Galkin et al.** (45) **Date of Patent:** **\*\* Jan. 21, 2020**

(54) **HEAT PRESS**  
 (71) Applicant: **GroupeSTAHL**, Sterling Heights, MI (US)  
 (72) Inventors: **Anton Galkin**, Carmichaels, PA (US); **Benjamin Robinson**, Carmichaels, PA (US)  
 (73) Assignee: **Stahls' Inc.**, Sterling Heights, MI (US)

8,418,739 B2 4/2013 Robinson  
 9,289,960 B2 3/2016 Robinson et al.  
 D826,297 S \* 8/2018 Yan ..... D15/123  
 D826,999 S \* 8/2018 Yan ..... D15/123  
 2008/0196836 A1\* 8/2008 Woods ..... B30B 1/12  
 156/367  
 2012/0175813 A1\* 7/2012 Leedy ..... A43B 3/0084  
 264/293  
 2015/0122425 A1\* 5/2015 Hsiao ..... B30B 15/028  
 156/583.1  
 2016/0250816 A1 9/2016 Robinson et al.  
 2017/0314177 A1\* 11/2017 Komiya ..... D06C 15/10

(\*\*) Term: **15 Years**

\* cited by examiner

(21) Appl. No.: **29/598,171**

*Primary Examiner* — Patricia A Palasik

(22) Filed: **Mar. 23, 2017**

(74) *Attorney, Agent, or Firm* — Harness, Dickey & Pierce, PLC

(51) **LOC (12) Cl.** ..... **15-09**

(52) **U.S. Cl.**

USPC ..... **D15/122; D15/123**

(58) **Field of Classification Search**

USPC ..... D15/122, 123, 145, 146

CPC ..... B30B 15/04; B30B 15/18; B30B 15/048;

B30B 15/287; B32B 37/06; B32B

37/0053; B32B 2309/02

See application file for complete search history.

(56) **References Cited**

**U.S. PATENT DOCUMENTS**

1,466,714 A \* 9/1923 Harnden ..... B41F 1/22  
 101/3.1  
 4,257,321 A \* 3/1981 Wheeler ..... B30B 9/04  
 100/219  
 6,151,814 A 11/2000 Raio et al.  
 6,871,587 B2\* 3/2005 Kanamaru ..... B30B 15/048  
 100/214  
 7,185,584 B1 3/2007 Woods et al.

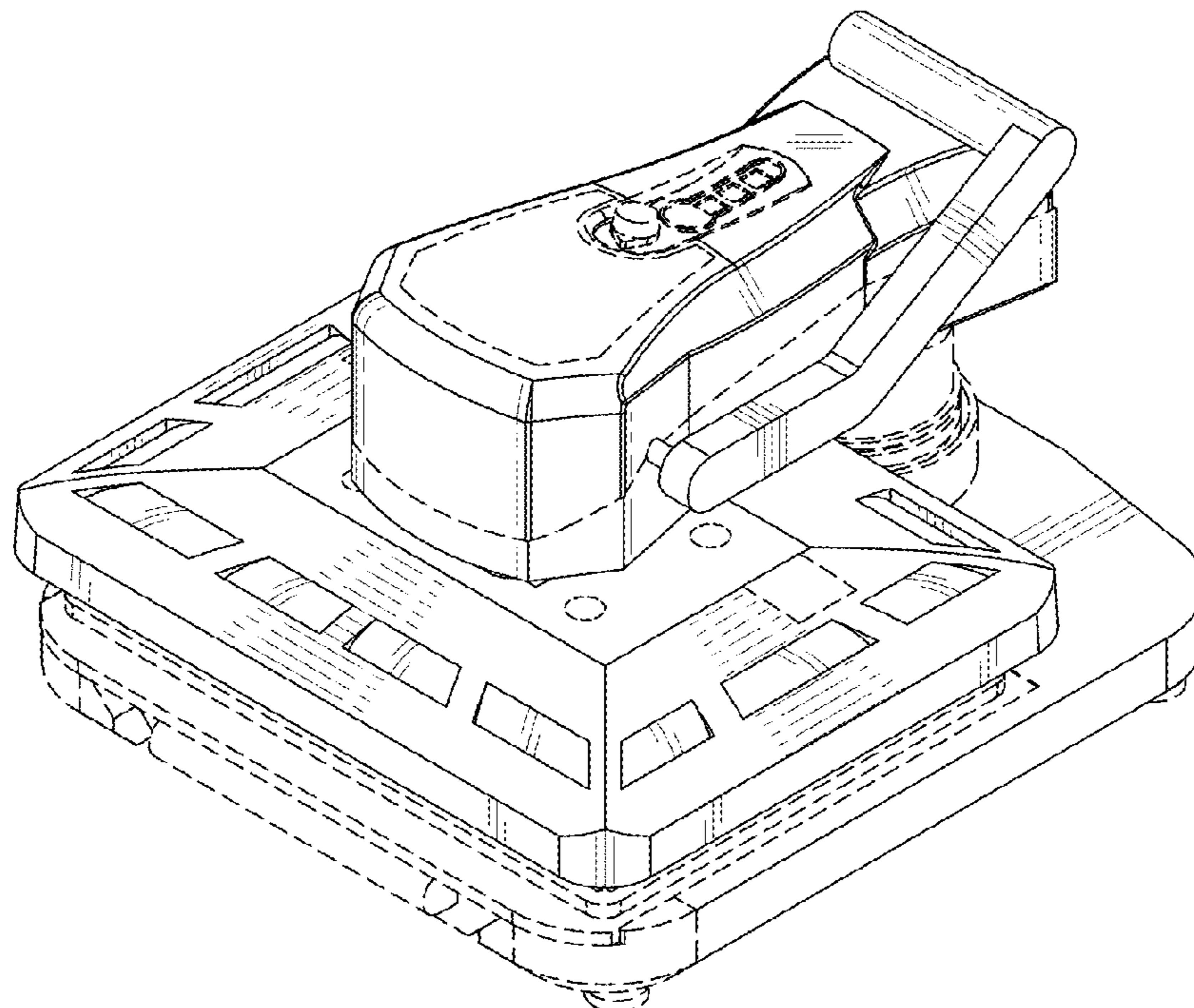
(57) **CLAIM**

The ornamental design for a heat press, as shown and described in FIGS. 1-8.

**DESCRIPTION**

FIG. 1 is a perspective view of the front and left sides of a heat press embodying the new design;  
 FIG. 2 is a front view of the heat press thereof;  
 FIG. 3 is a right side view of the heat press thereof;  
 FIG. 4 is a left side view of the heat press thereof;  
 FIG. 5 is a perspective view of the bottom and right sides of the heat press thereof;  
 FIG. 6 is a bottom plan view of the heat press thereof;  
 FIG. 7 is a rear view of the heat press thereof; and,  
 FIG. 8 is a top plan view of the heat press thereof.  
 The broken lines showing features of the heat press form no part of the claimed design of FIGS. 1 through 8.

**1 Claim, 6 Drawing Sheets**



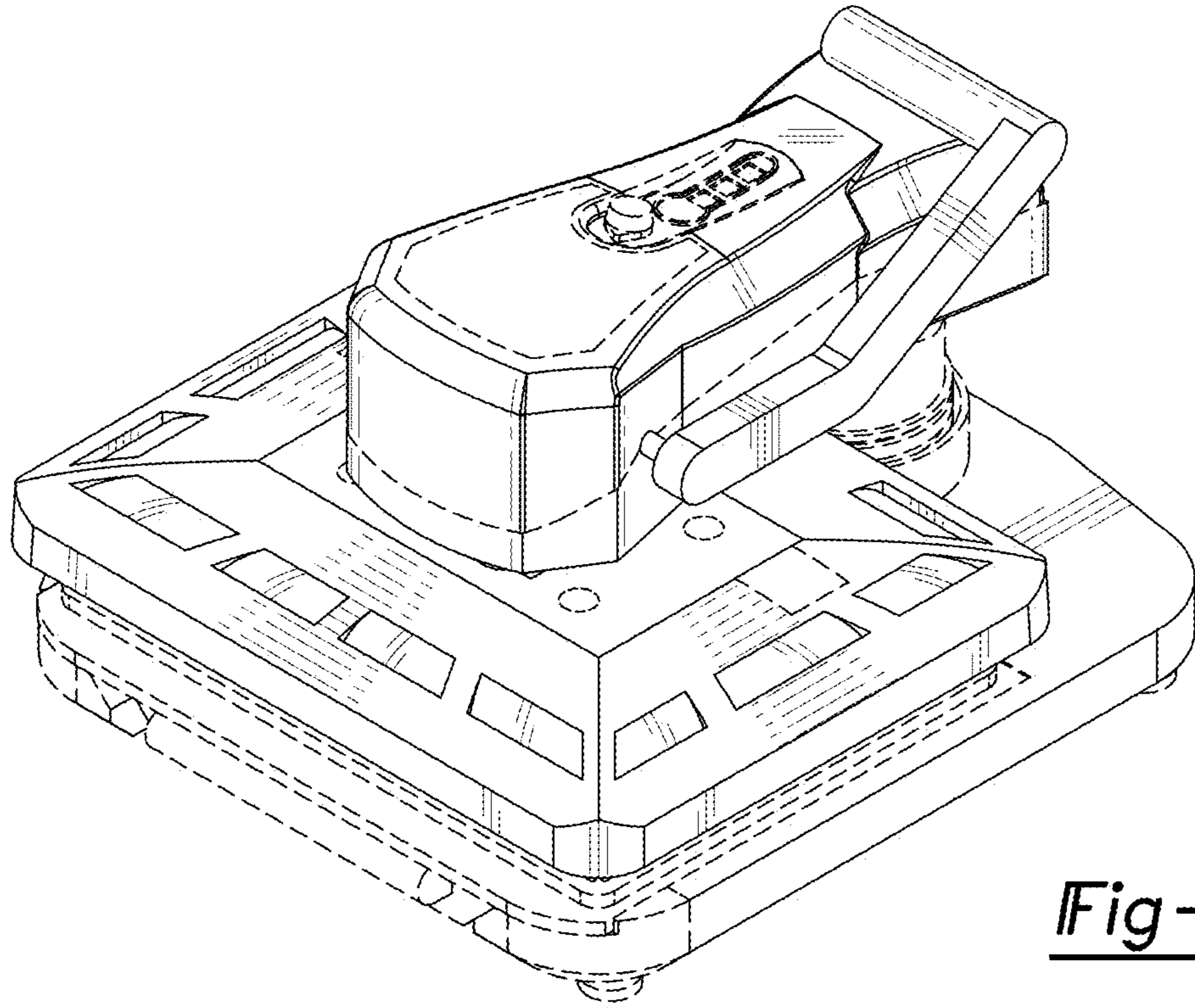


Fig-1

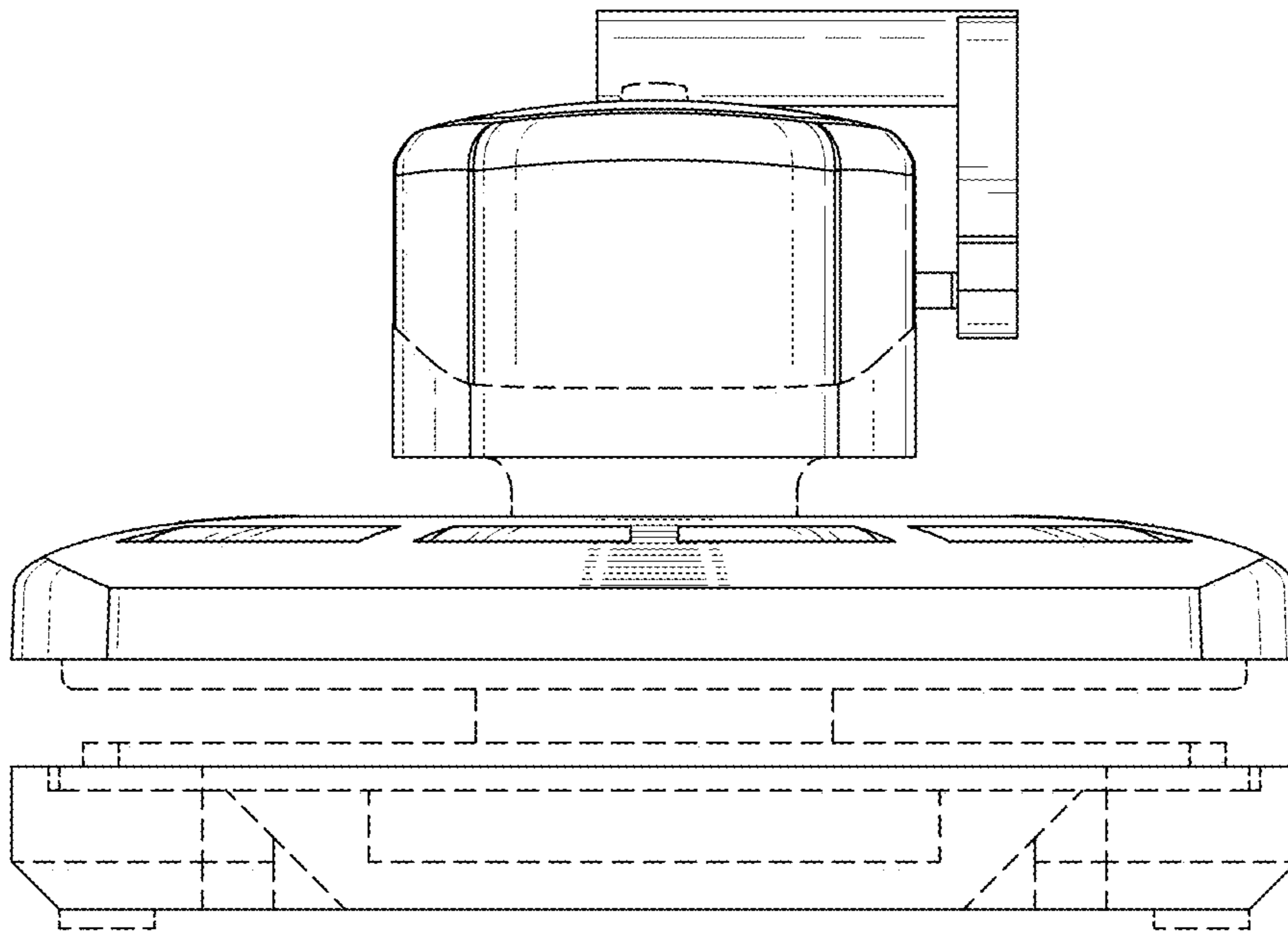


Fig-2

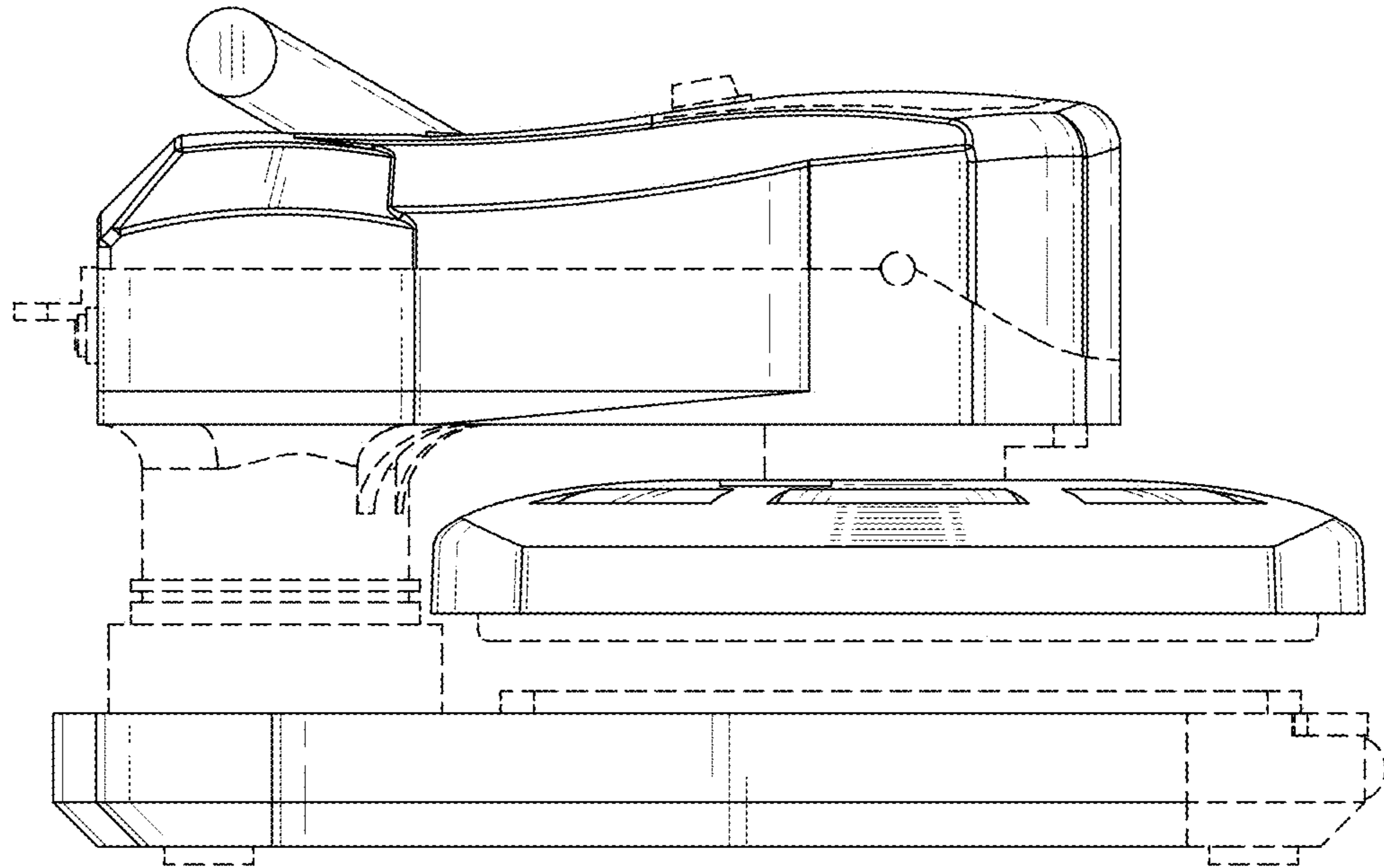


Fig-3

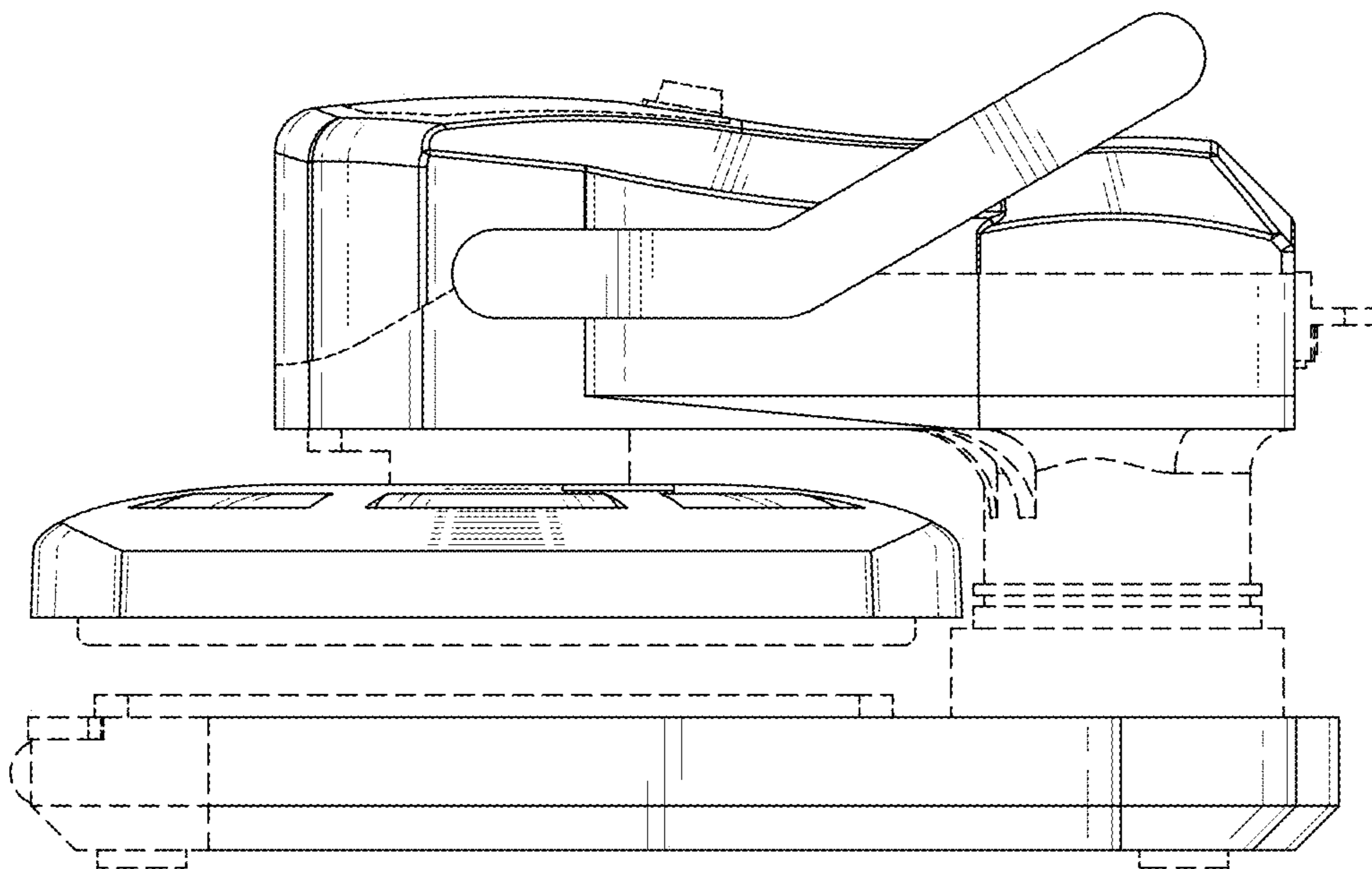


Fig-4

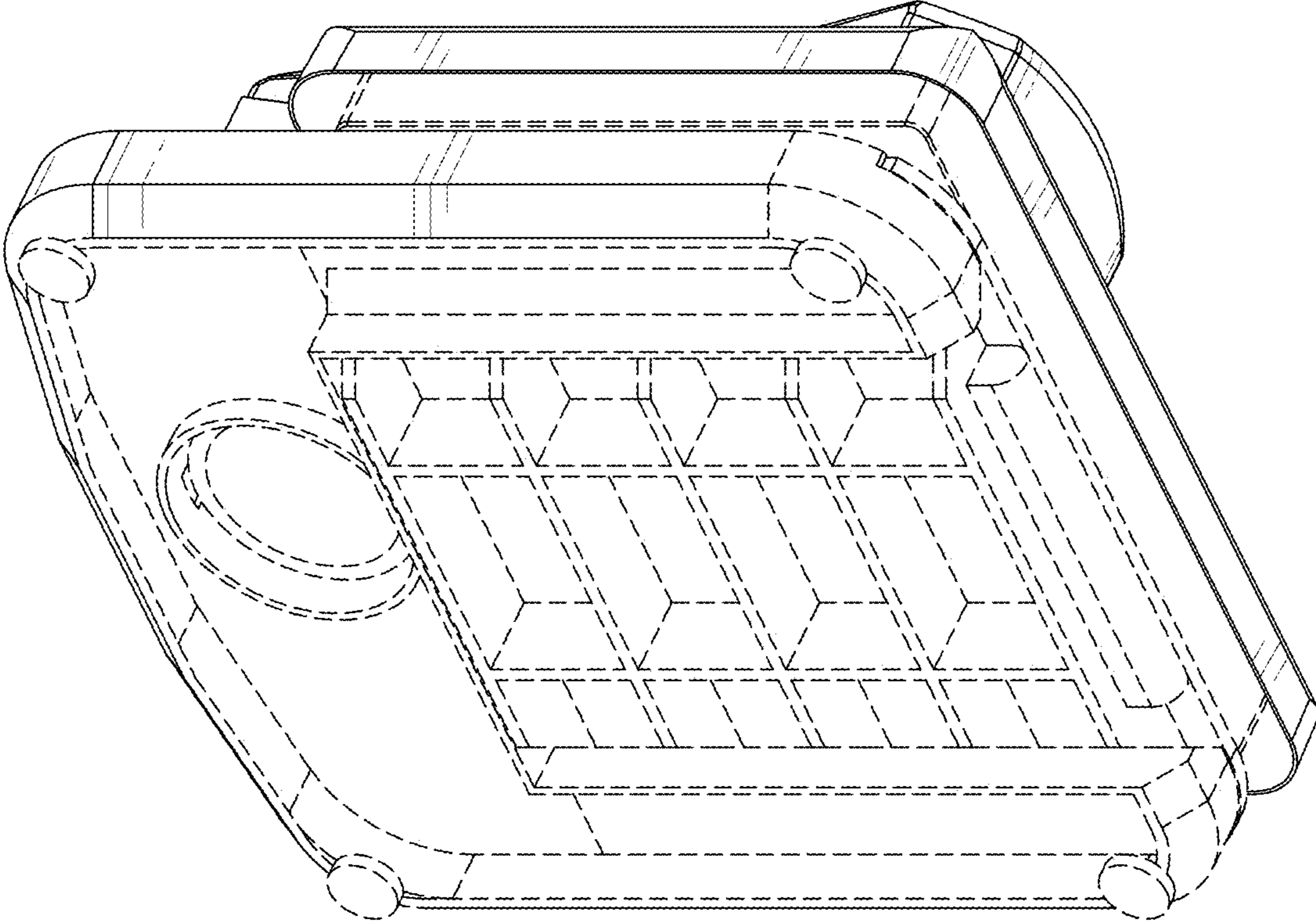


Fig-5

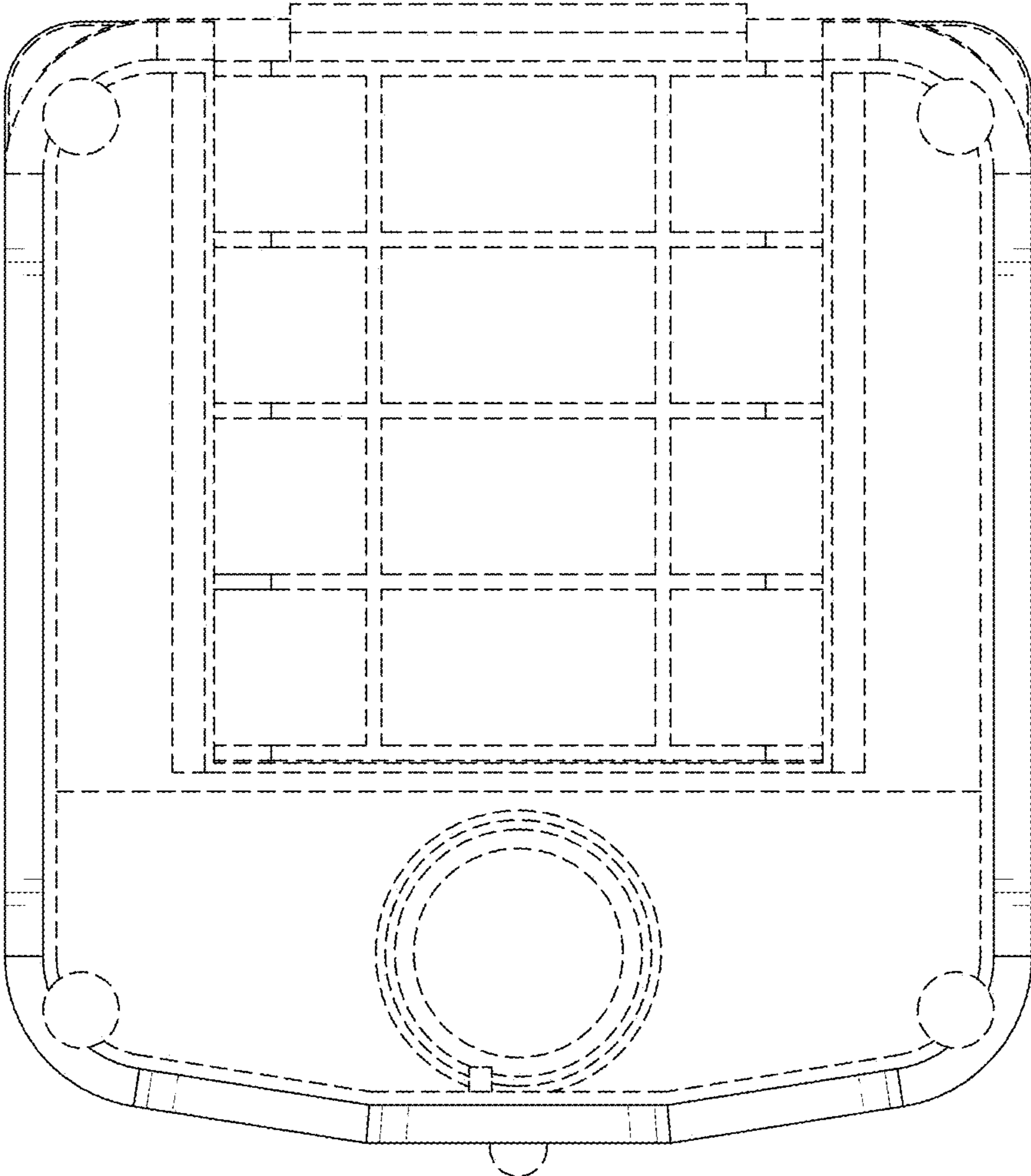


Fig-6

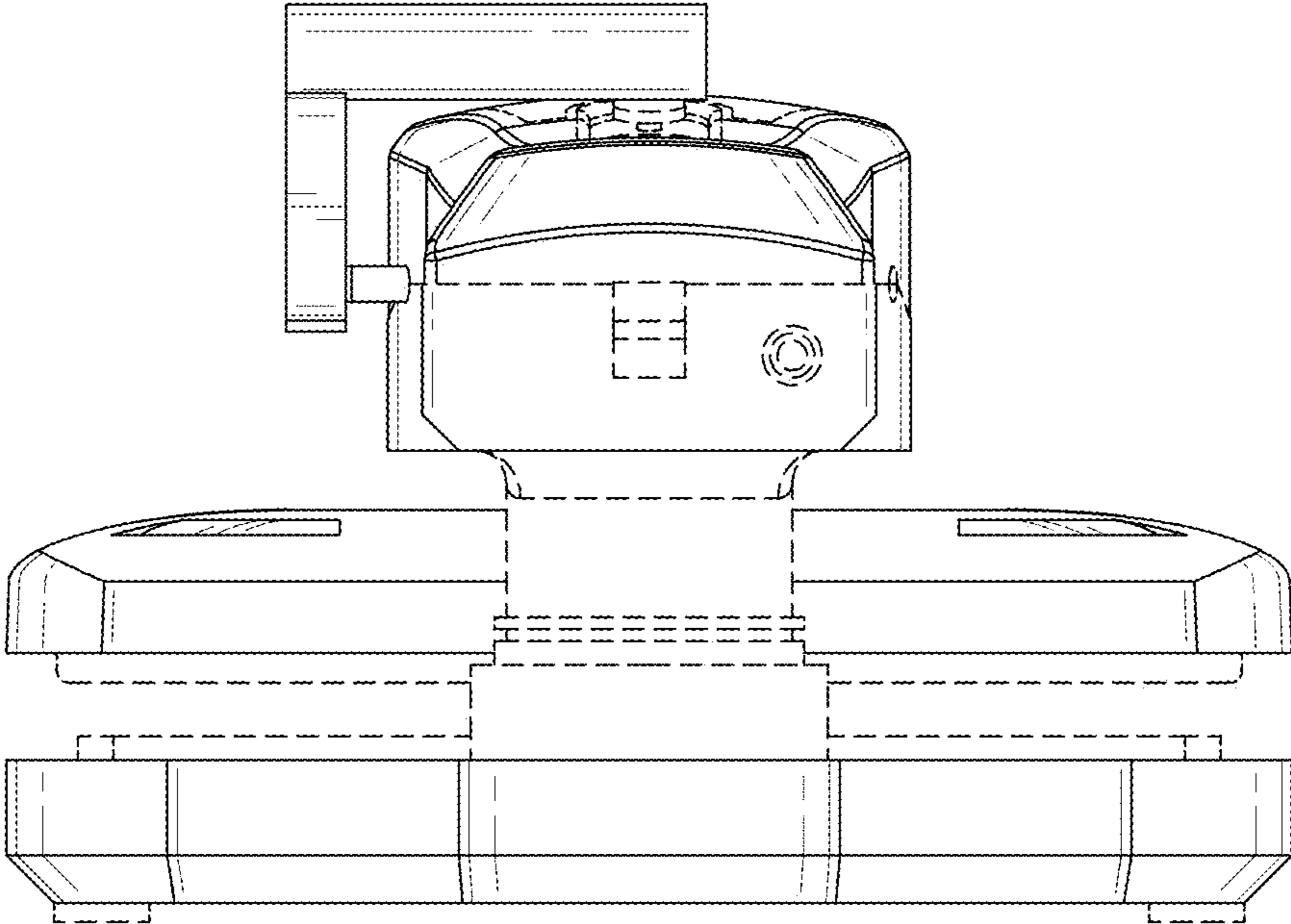


Fig-7

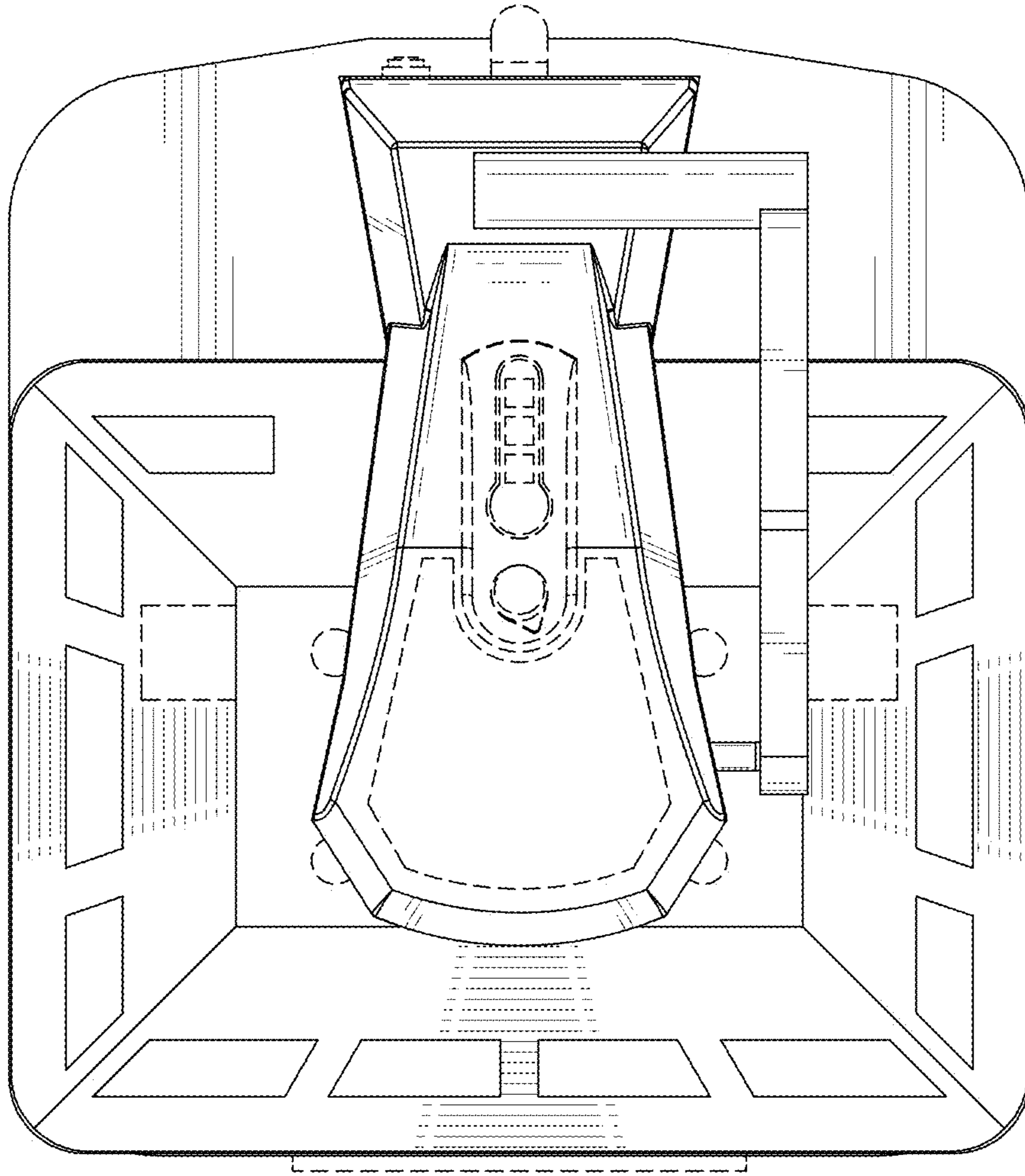


Fig-8