



US00D873312S

(12) **United States Design Patent** (10) **Patent No.:** **US D873,312 S**
Lin (45) **Date of Patent:** **** Jan. 21, 2020**

(54) **ICE PACK**

D755,262 S * 5/2016 Kyle D15/90
D762,747 S * 8/2016 Glass D15/90
D795,313 S * 8/2017 Seiders D15/90

(71) Applicant: **XIAMEN WORTHFIND INDUSTRIAL CO., LTD.**, Xiamen (CN)

OTHER PUBLICATIONS

(72) Inventor: **Lijuan Lin**, Xiamen (CN)

“Rose Evans® Freezer Blocks—Suitable for Cooler Boxes & Bags—Cools & Keeps Food Fresh—In Packs of 3/6 (Pack of 6)”, Retrieved Sep. 17, 2019]. Retrieved from Internet. <https://www.amazon.co.uk/Rose-Evans%C2%AE-Freezer-Blocks-Suitable/dp/B00CMOZYMG/>.

(73) Assignee: **XIAMEN WORTHFIND INDUSTRIAL CO., LTD.**, Xiamen (CN)

“2PCS Food Storage Reusable Picnic Lunch Bag Freezer Camping Travel Fruit Practical Cooler Box Portable Stay Fresh Ice Blocks”, Retrieved Sep. 17, 2019]. Retrieved from Internet, https://www.aliexpress.com/item/4000085458061.html?spm=a2g0o.productlist.0.0.5ec2d9b9ohAx0G&algo_pvid.

(**) Term: **15 Years**

“ToCi Ice Packs Each with 200 ml | Ice Packs for Cooling Bag or Box, 6 (EU)”, Retrieved Sep. 17, 2019]. Retrieved from Internet, <https://www.amazon.com/co.uk/dp/B01E9463XO/>.

(21) Appl. No.: **29/706,419**

(22) Filed: **Sep. 20, 2019**

(30) **Foreign Application Priority Data**

Jul. 19, 2019 (CN) 2019 3 0387082

* cited by examiner

(51) **LOC (12) Cl.** **15-07**

Primary Examiner — Khawaja Anwar

(52) **U.S. Cl.**
USPC **D15/90**

(58) **Field of Classification Search**
USPC D15/79–91
CPC .. F25C 5/002; F25C 5/005; F25C 5/12; F25C 1/04; F25C 2500/02; F25C 2500/08; F25C 2700/02; F25C 5/02; F25C 5/046; F25C 5/187

(57) **CLAIM**

The ornamental design for an ice pack, as shown and described.

See application file for complete search history.

DESCRIPTION

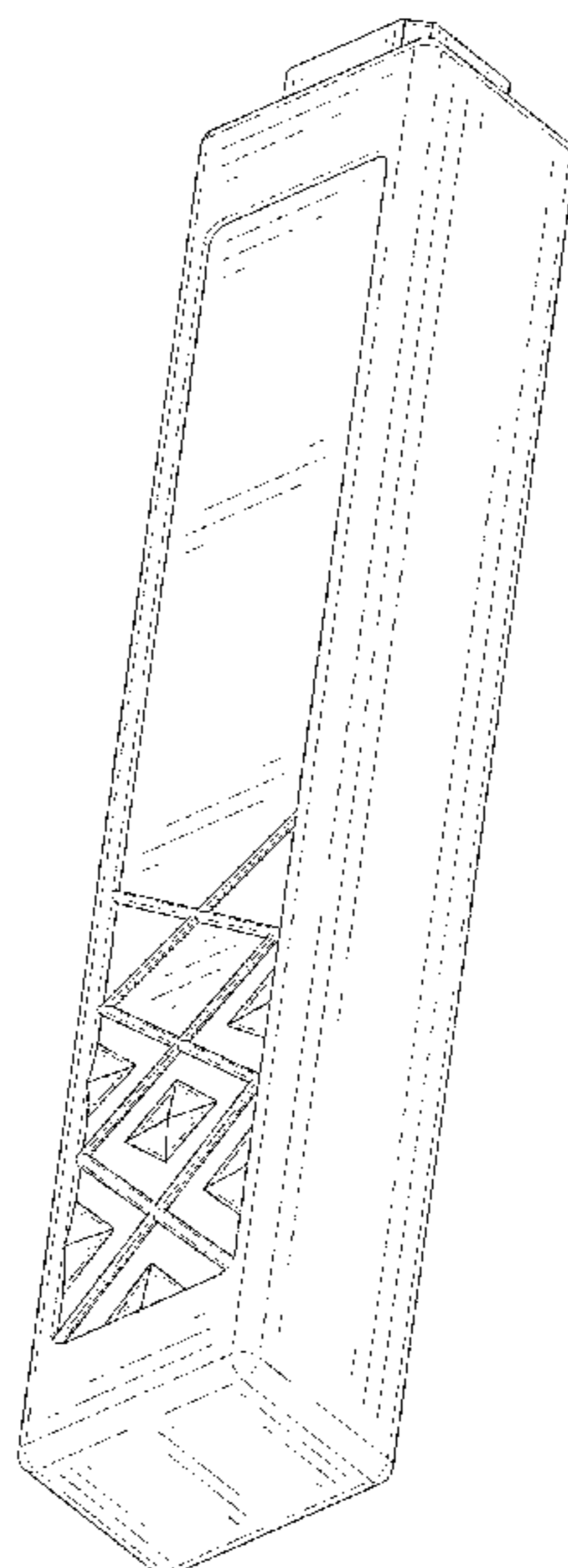
(56) **References Cited**

U.S. PATENT DOCUMENTS

4,883,251 A * 11/1989 Manas F25C 1/24 249/53 R
D351,532 S * 10/1994 Wolfenden D15/90
D367,068 S * 2/1996 Green D15/90
D473,572 S * 4/2003 Linberg D15/90
D669,102 S * 10/2012 Seo D15/90

FIG. 1 is a perspective view of an ice pack showing my new design;
FIG. 2 is another perspective view thereof;
FIG. 3 is a front elevational view thereof;
FIG. 4 is a rear elevational view thereof;
FIG. 5 is a left side elevational view thereof;
FIG. 6 is a right side elevational view thereof;
FIG. 7 is a top plan view thereof; and,
FIG. 8 is a bottom plan view thereof.

1 Claim, 8 Drawing Sheets



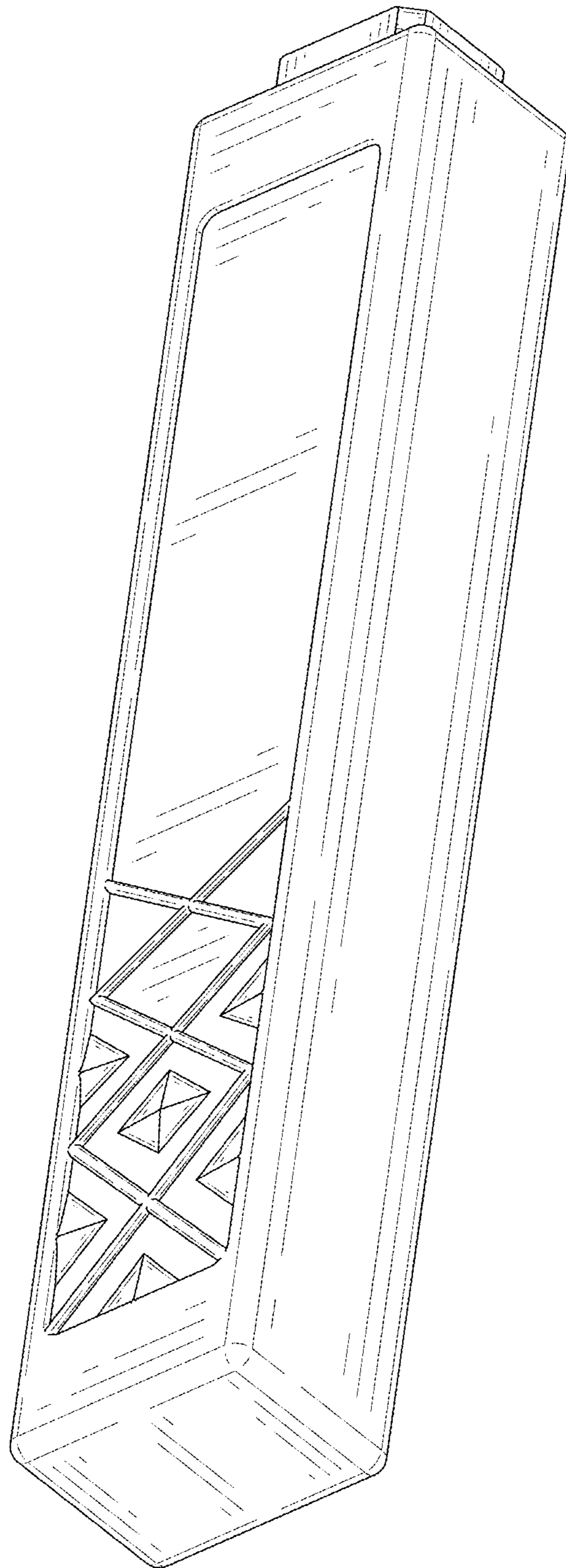


FIG. 1

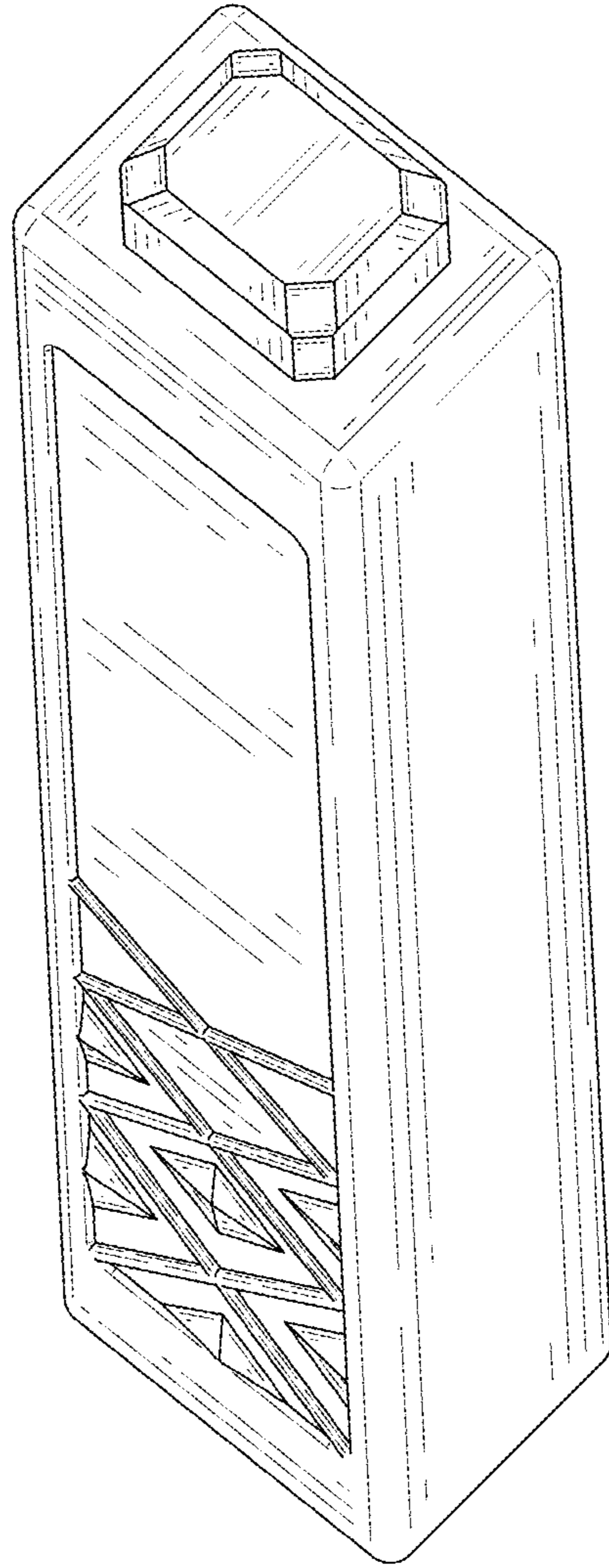


FIG. 2

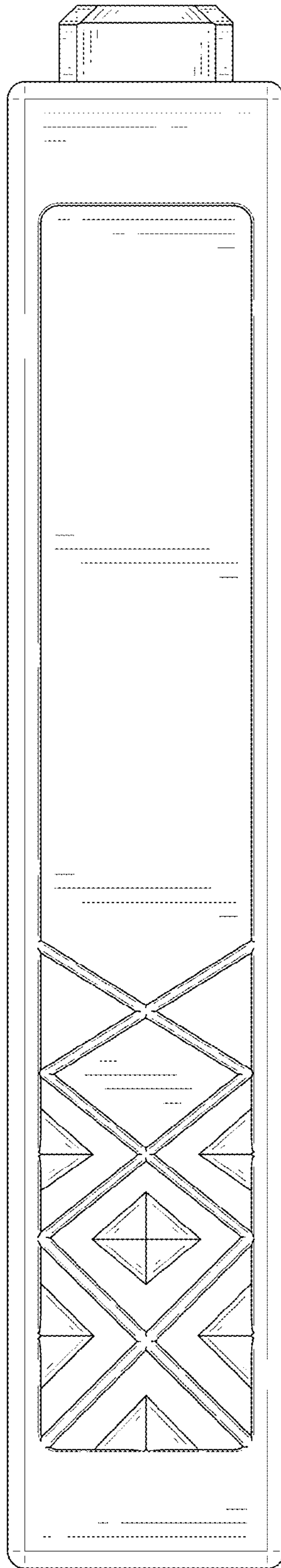


FIG. 3

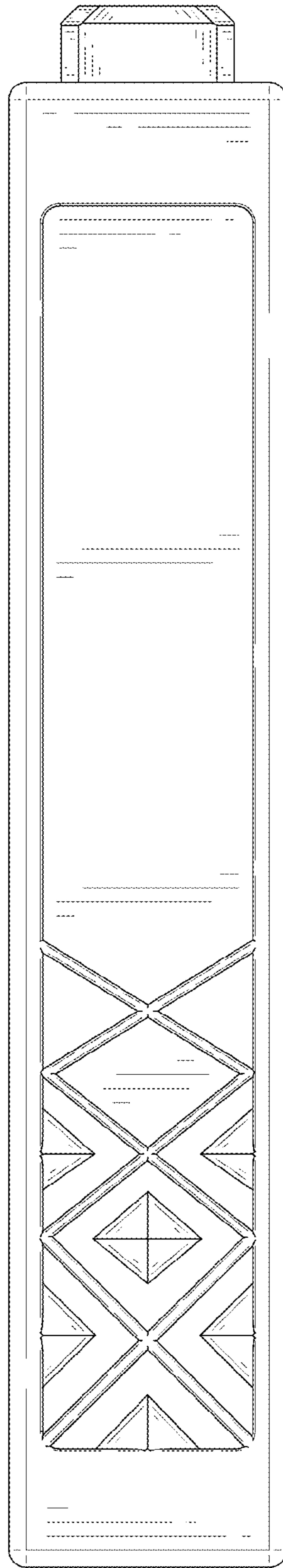


FIG. 4

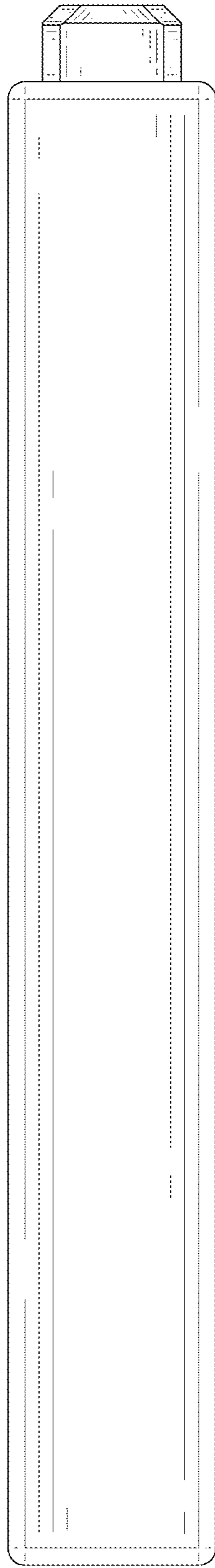


FIG. 5

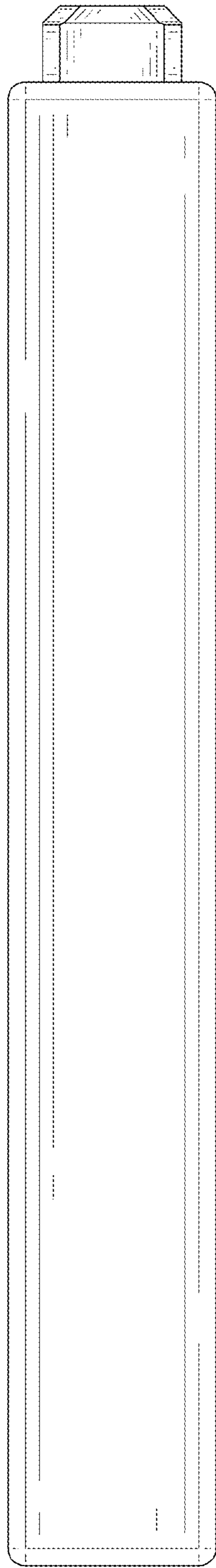


FIG. 6

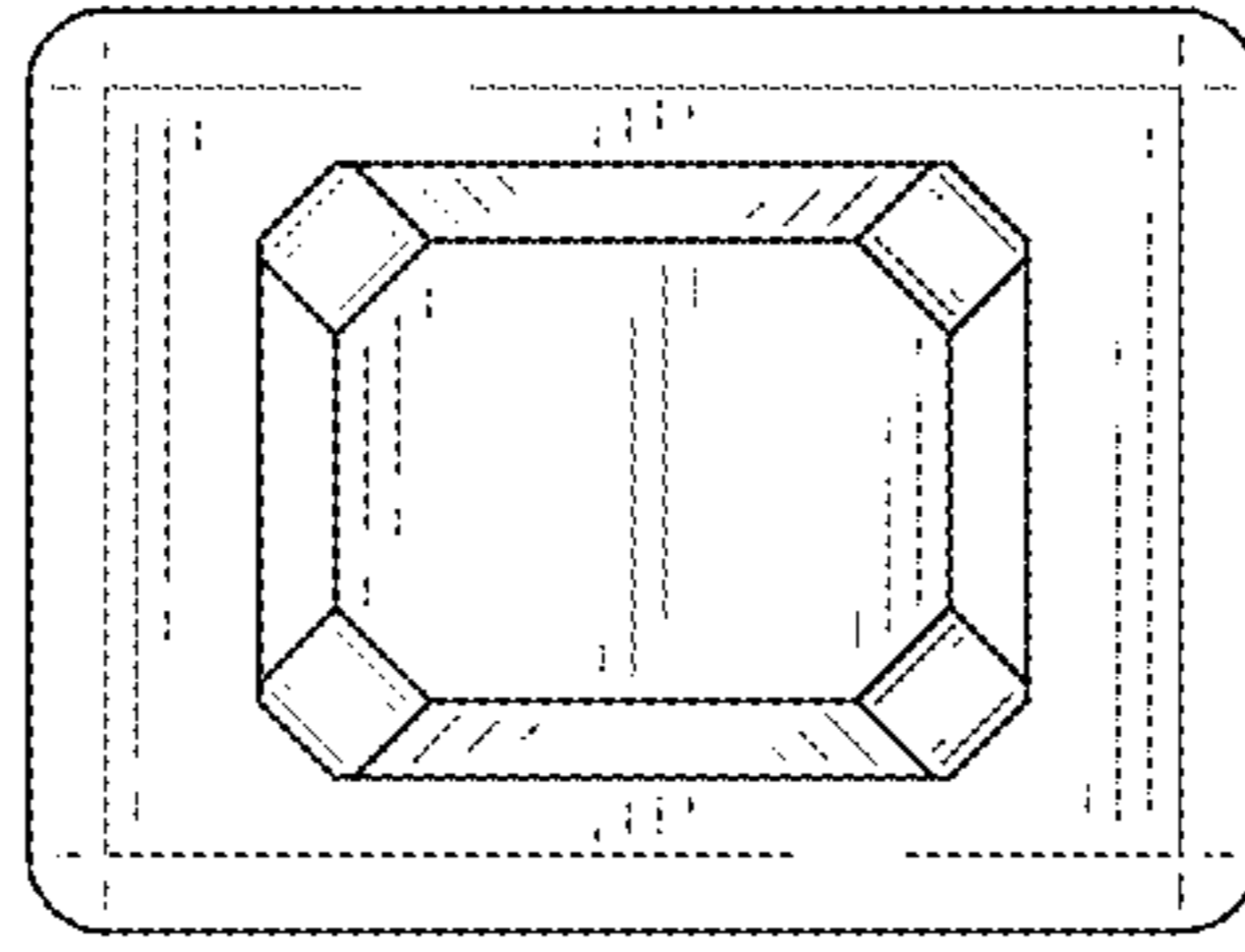


FIG. 7

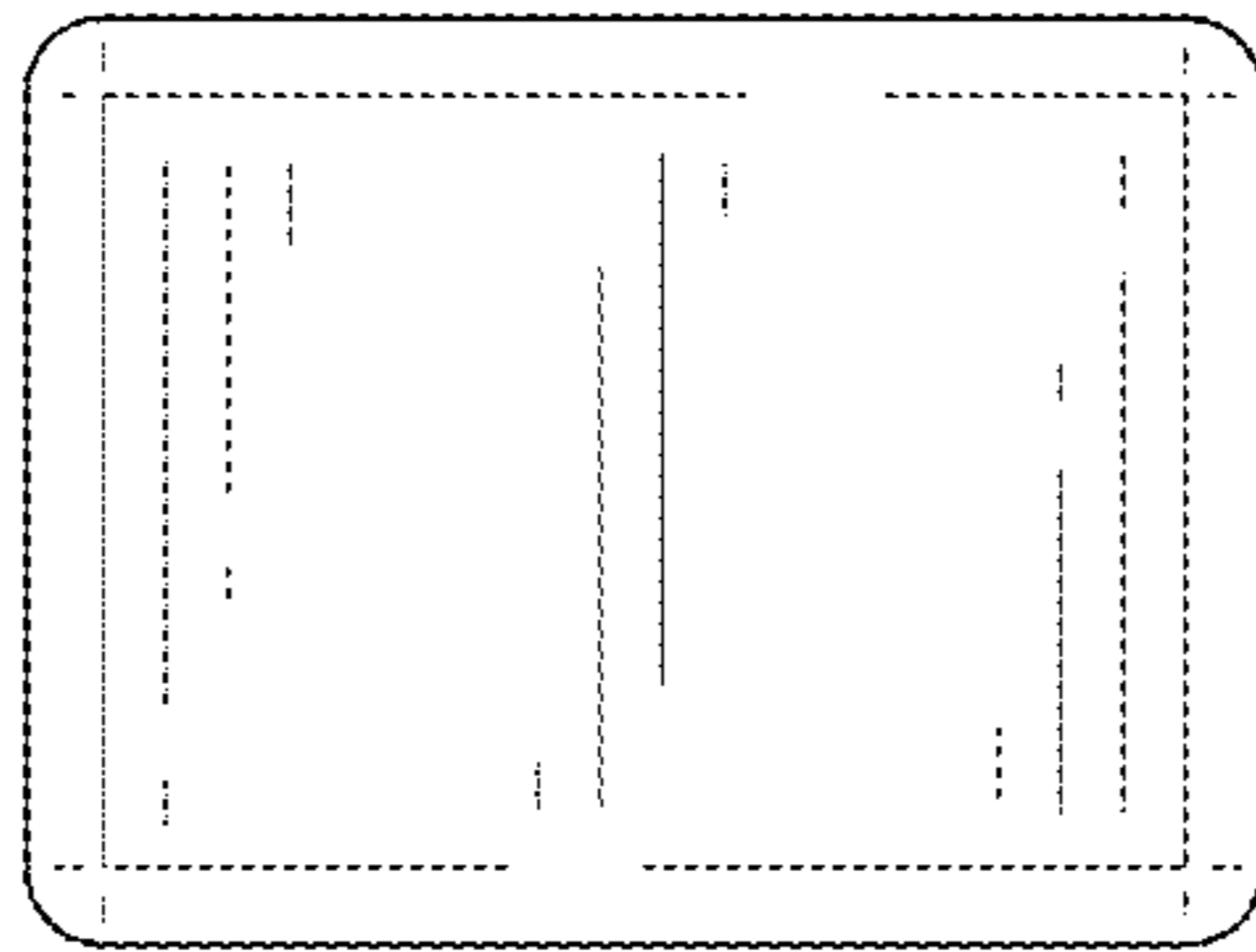


FIG. 8