



US00D873309S

(12) **United States Design Patent**
Rawls

(10) **Patent No.:** **US D873,309 S**
(45) **Date of Patent:** **** Jan. 21, 2020**

(54) **INTERMITTENT AMMONIA ABSORPTION REFRIGERATOR CASE**

(71) Applicant: **Rocky Rawls**, Gautier, MS (US)

(72) Inventor: **Rocky Rawls**, Gautier, MS (US)

(**) Term: **15 Years**

(21) Appl. No.: **29/659,091**

(22) Filed: **Aug. 6, 2018**

(51) **LOC (12) Cl.** **15-07**

(52) **U.S. Cl.**
USPC **D15/79**

(58) **Field of Classification Search**
USPC D15/79-91; D24/121, 124
CPC F25D 17/065; F25D 23/04; F25D 23/02;
F25D 23/126; F25D 2400/06; F25D 2317/061;
F25D 23/028; F25D 25/025; F25D 2317/0666;
F25D 29/00; F25D 11/02; F25D 11/022; F25D 2317/062;
F25D 2317/067; F25D 2323/021; F25D 2400/40

See application file for complete search history.

(56) **References Cited**

U.S. PATENT DOCUMENTS

D280,293 S *	8/1985	D'Amour	D15/79
D289,655 S *	5/1987	Ummels	D15/79
D344,962 S *	3/1994	Colman	D15/79
D484,150 S *	12/2003	Becke	D15/89
D534,931 S *	1/2007	Kirkland	D15/79
D544,287 S *	6/2007	Joss	D15/79

D734,848 S *	7/2015	Stonig	D24/121
D747,750 S *	1/2016	Kim	D15/89
D773,540 S *	12/2016	Heck	D15/89
D776,985 S *	1/2017	Kim	D15/89
D785,056 S *	4/2017	Lee	D15/89
D786,322 S *	5/2017	Kim	D15/89
D790,609 S *	6/2017	Kim	D15/89
D812,649 S *	3/2018	Onrat	D15/89
D823,356 S *	7/2018	Lum	D15/89
D834,073 S *	11/2018	Adomat	D15/79

* cited by examiner

Primary Examiner — Khawaja Anwar

(57) **CLAIM**

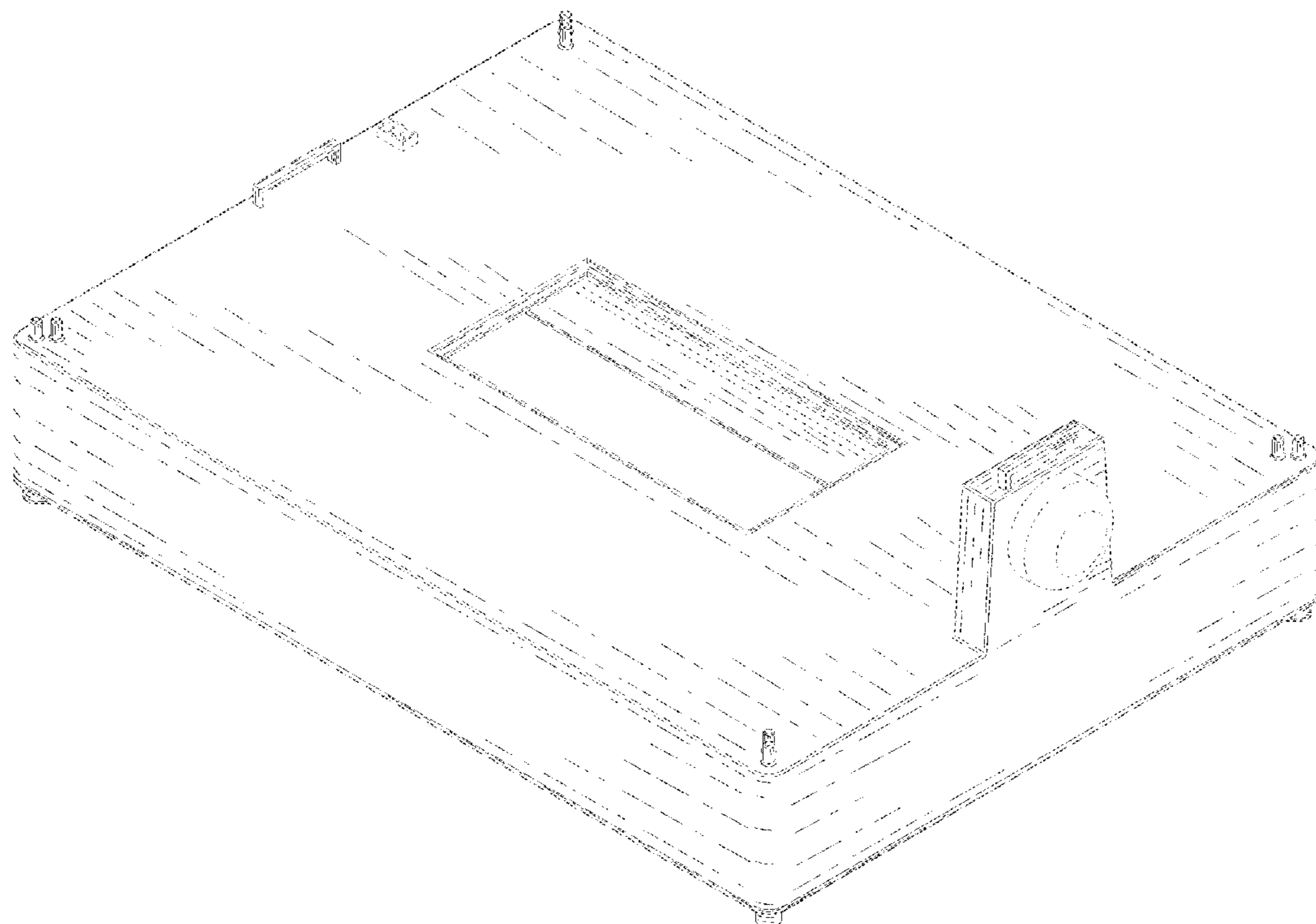
The ornamental design for an intermittent ammonia absorption refrigerator case, as shown and described.

DESCRIPTION

FIG. 1 is a top perspective view of an intermittent ammonia absorption refrigerator case showing my new design; FIG. 2 is a bottom perspective view thereof; FIG. 3 is a rear perspective view thereof; FIG. 4 is a front elevational view thereof, the rear elevational view being mirrored thereto; FIG. 5 is a left elevational view thereof; FIG. 6 is a right elevational view thereof; FIG. 7 is a top plan view thereof; FIG. 8 is a bottom plan view thereof; and, FIG. 9 is a cross section view taken along lines 9-9 in FIG. 7.

The evenly spaced broken lines shown in the drawings represent unclaimed portions often design and form no part of the claimed design.

1 Claim, 9 Drawing Sheets



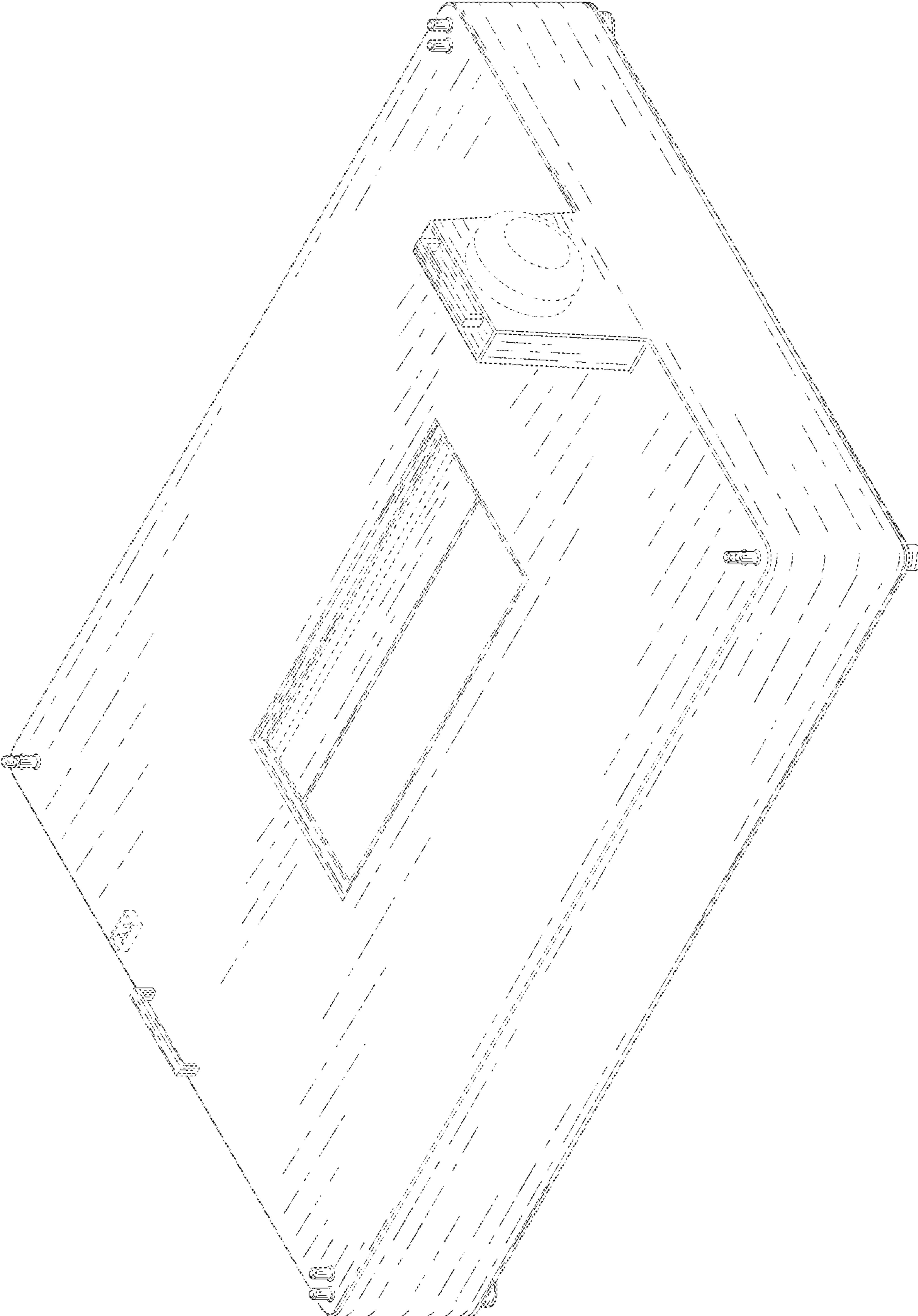


FIG. 1

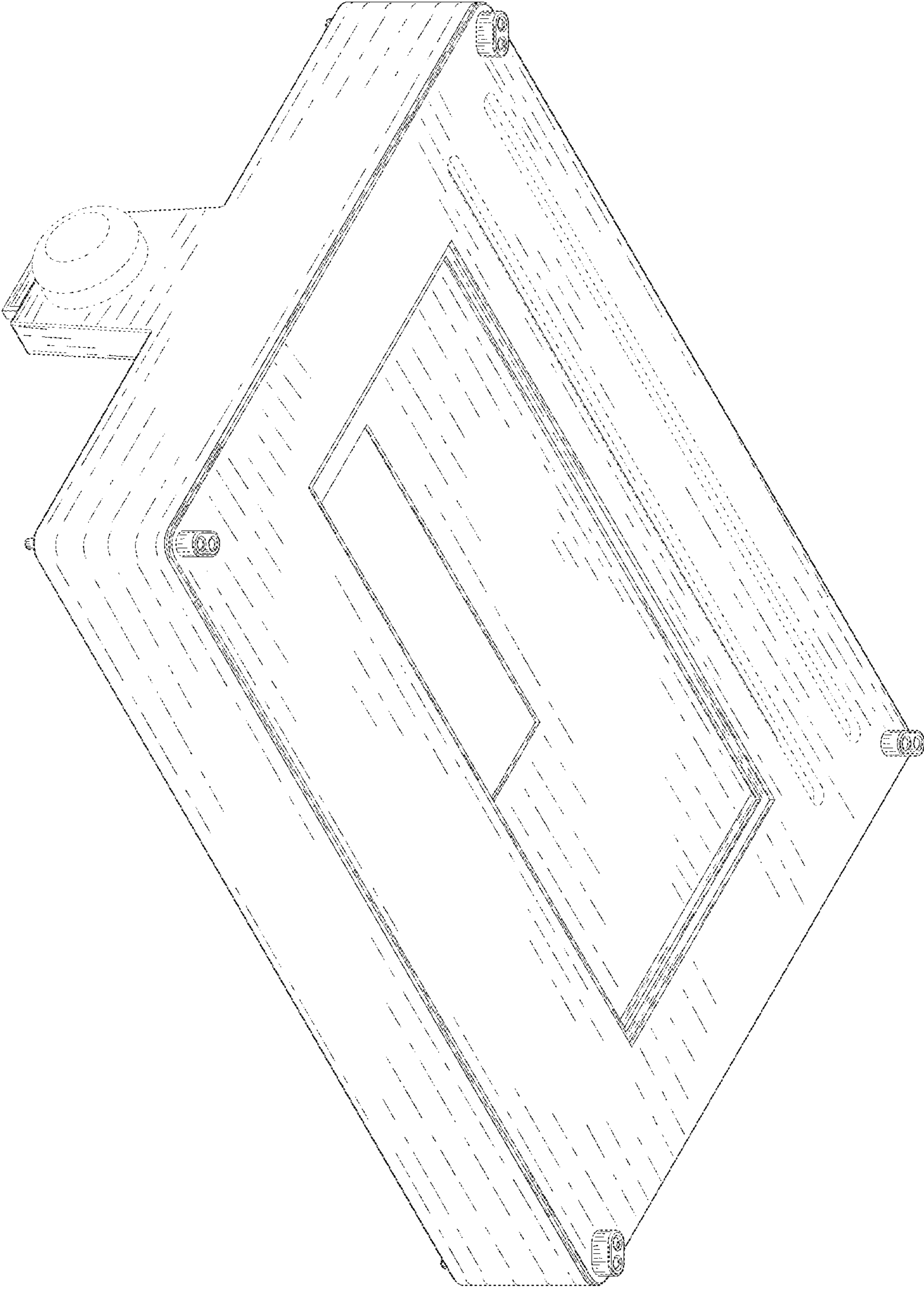


FIG. 2

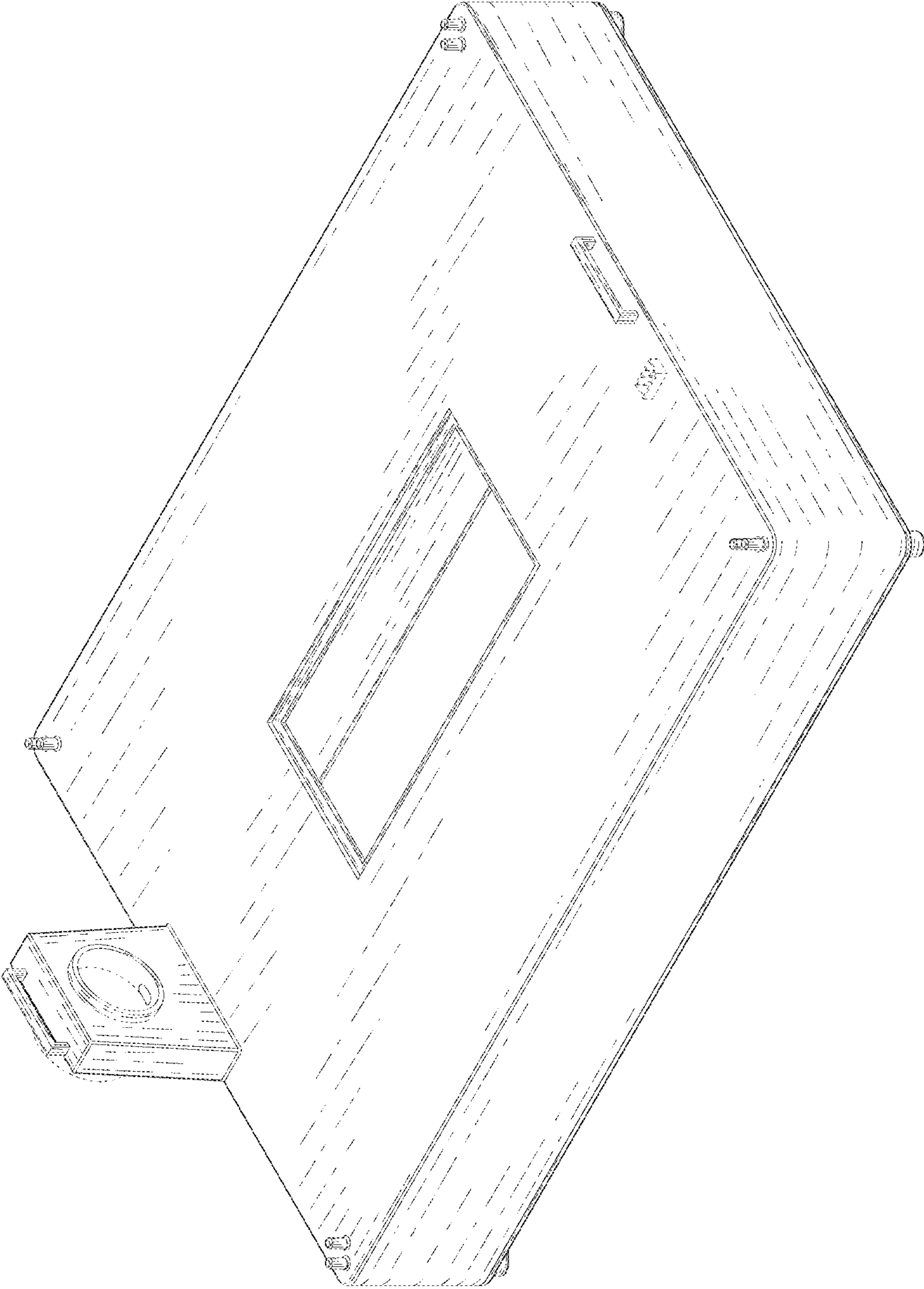


FIG. 3

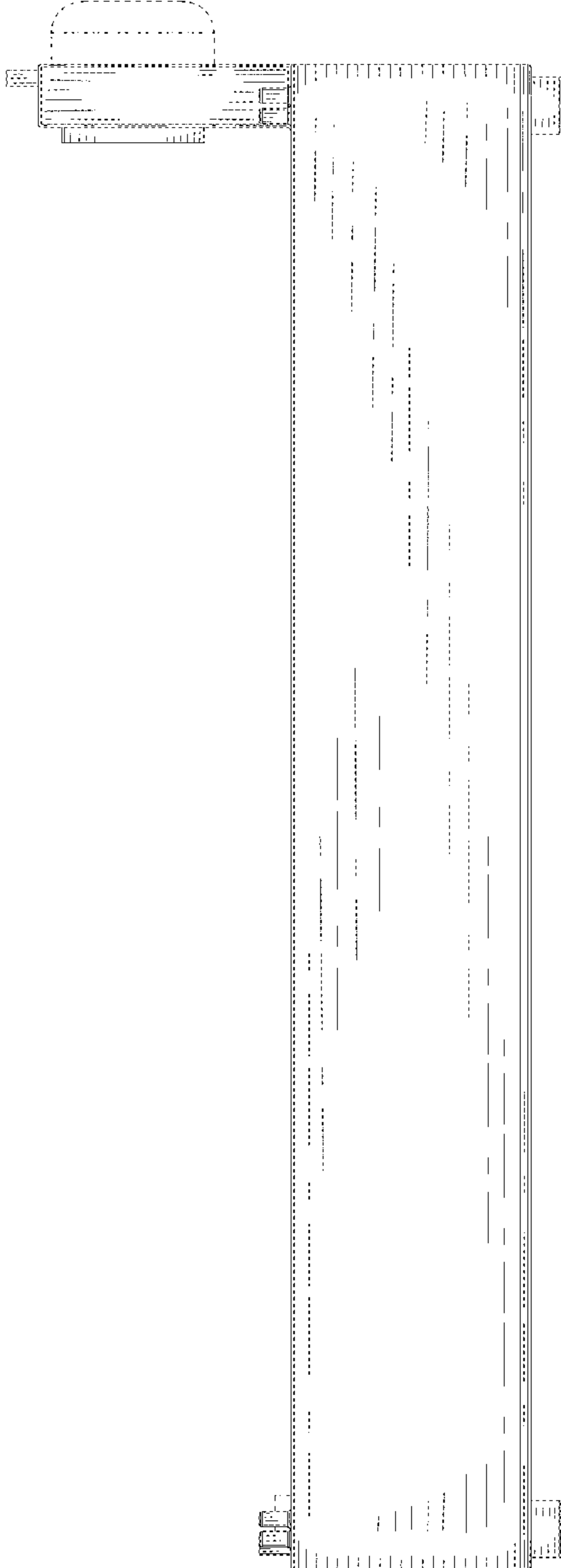


FIG. 4

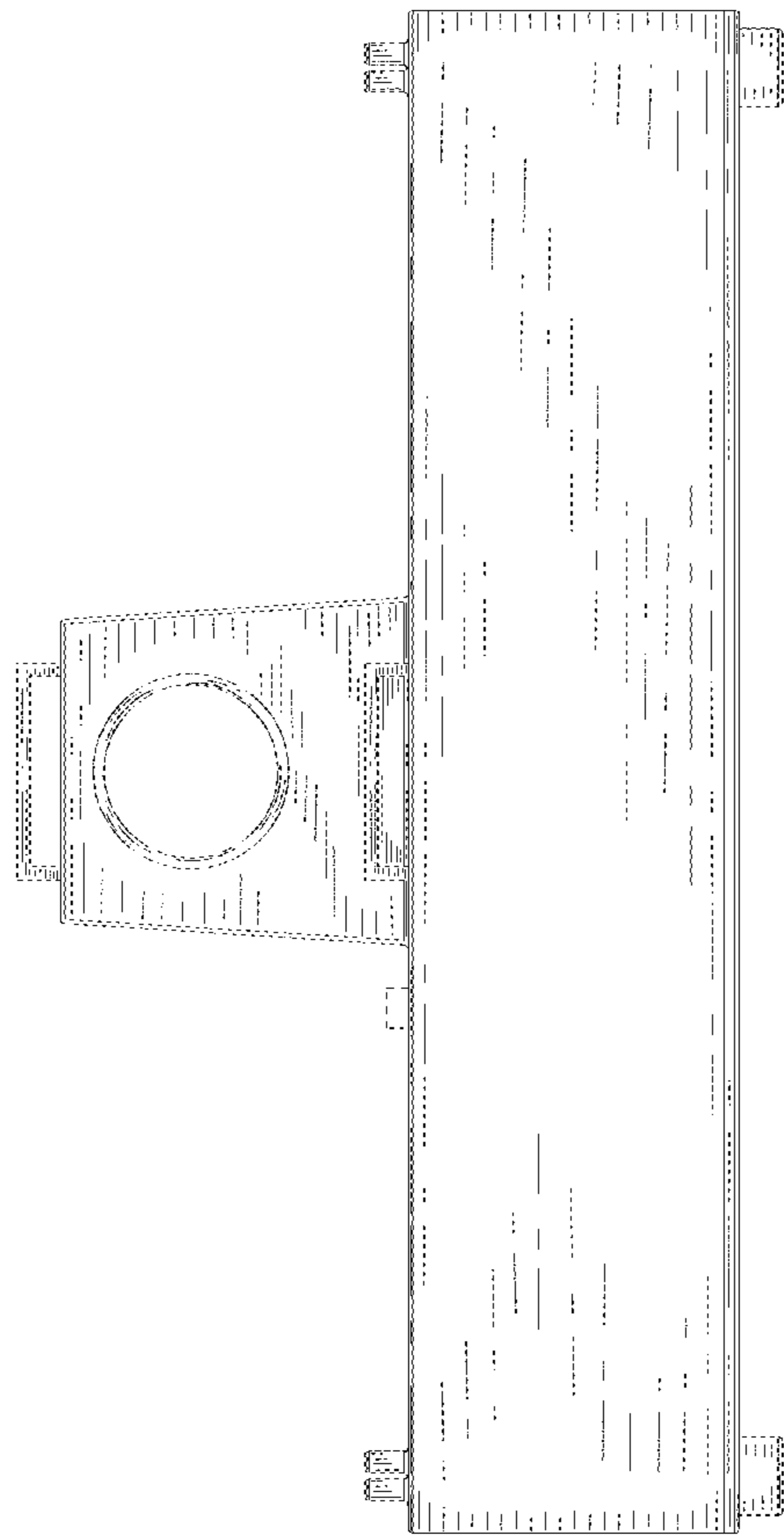


FIG. 5

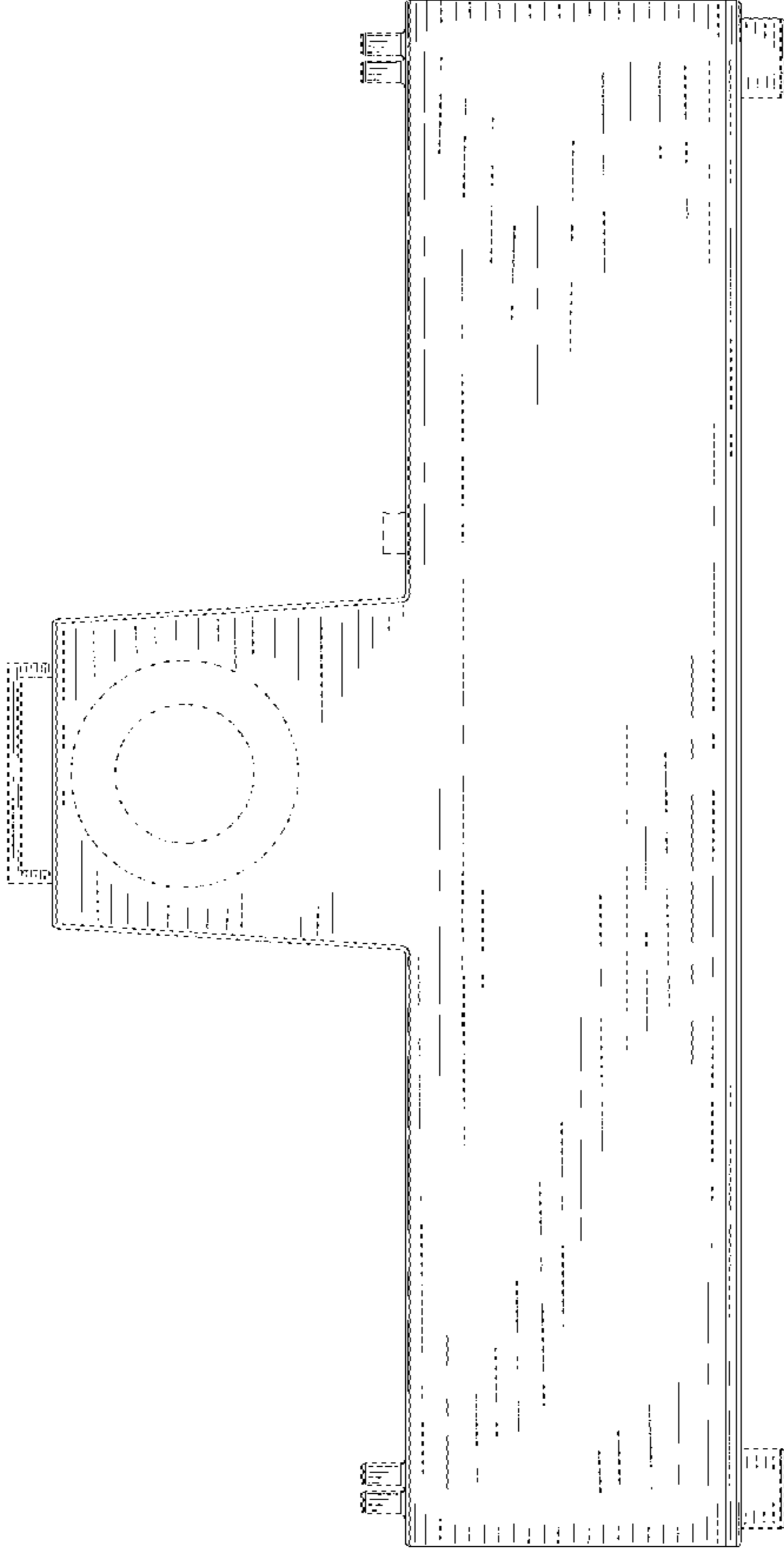


FIG. 6

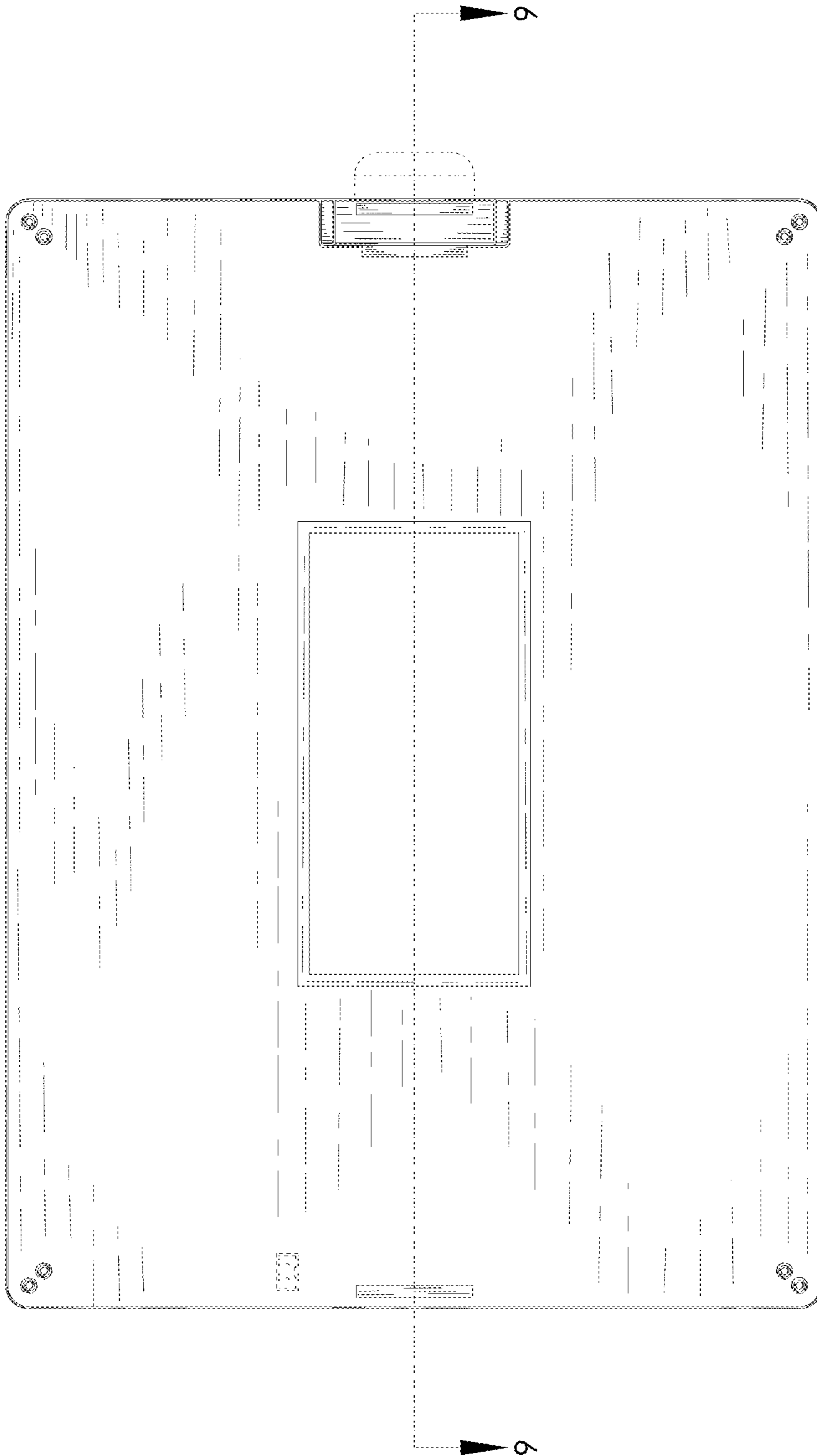


FIG. 7

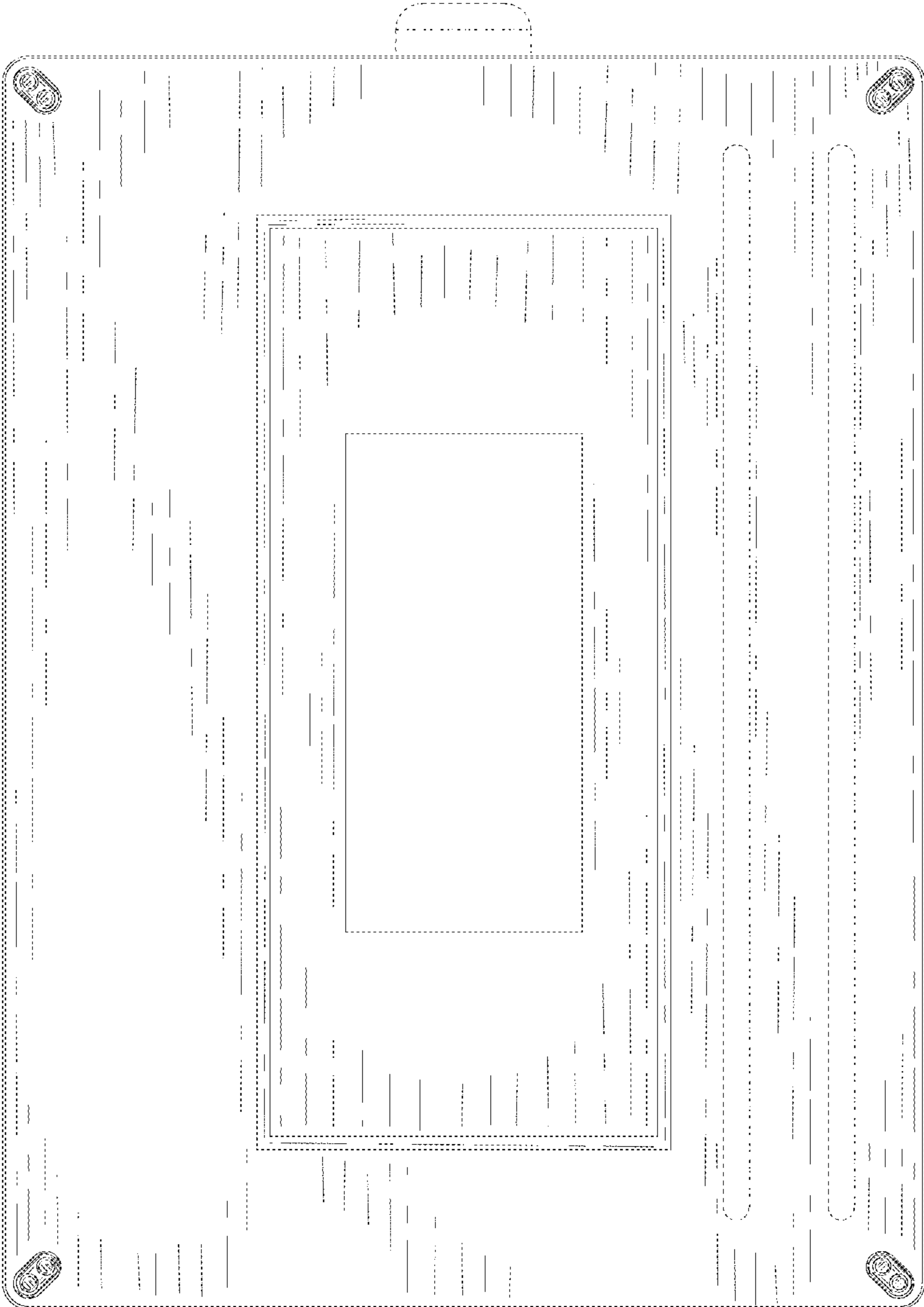


FIG. 8



FIG. 9