



US00D873307S

(12) **United States Design Patent**
Lonati et al.

(10) **Patent No.:** **US D873,307 S**
(45) **Date of Patent:** **** Jan. 21, 2020**

- (54) **TEXTILE MACHINE**
- (71) Applicant: **SANTONI S.P.A.**, Brescia (IT)
- (72) Inventors: **Ettore Lonati**, Botticino (IT); **Fausto Lonati**, Brescia (IT); **Andrea Lonati**, Brescia (IT)
- (73) Assignee: **SANTONI S.P.A.**, Brescia (IT)
- (**) Term: **15 Years**
- (21) Appl. No.: **29/648,666**
- (22) Filed: **May 23, 2018**
- (30) **Foreign Application Priority Data**
Nov. 23, 2017 (EM) 004520302
- (51) **LOC (12) Cl.** **15-06**
- (52) **U.S. Cl.**
USPC **D15/78**
- (58) **Field of Classification Search**
USPC D15/66-78
CPC .. D04B 13/00; D04B 13/02; D04B 9/00-9/58
See application file for complete search history.

| | | | | | |
|-----------|------|---------|---------|-------|------------------------|
| 4,539,825 | A * | 9/1985 | Colosio | | D04B 15/68 66/145 R |
| D311,745 | S * | 10/1990 | Wieland | | D15/66 |
| 5,761,931 | A * | 6/1998 | Lonati | | D04B 9/56 66/148 |
| 6,101,848 | A * | 8/2000 | Wang | | D04B 15/78 116/216 |
| 6,223,564 | B1 * | 5/2001 | Lonati | | D04B 9/56 66/107 |
| 7,310,976 | B1 * | 12/2007 | Renda | | D04B 15/38 66/125 R |
| 8,245,544 | B2 * | 8/2012 | Lonati | | D04B 15/34 66/216 |
| D771,153 | S * | 11/2016 | Lonati | | D15/66 |
| D771,154 | S * | 11/2016 | Lonati | | D15/78 |
| D771,156 | S * | 11/2016 | Lonati | | D15/78 |
| D772,958 | S * | 11/2016 | Lonati | | D15/78 |
| 9,683,321 | B2 * | 6/2017 | Lonati | | D04B 15/99 |
| 9,689,094 | B2 * | 6/2017 | Lonati | | D04B 15/68 |
| 9,689,095 | B2 * | 6/2017 | Lonati | | D04B 15/68 |
| 9,702,068 | B2 * | 7/2017 | Lonati | | D04B 15/68 |

(Continued)

Primary Examiner — Mitchell I. Siegel
(74) *Attorney, Agent, or Firm* — Oliff PLC

(57) **CLAIM**

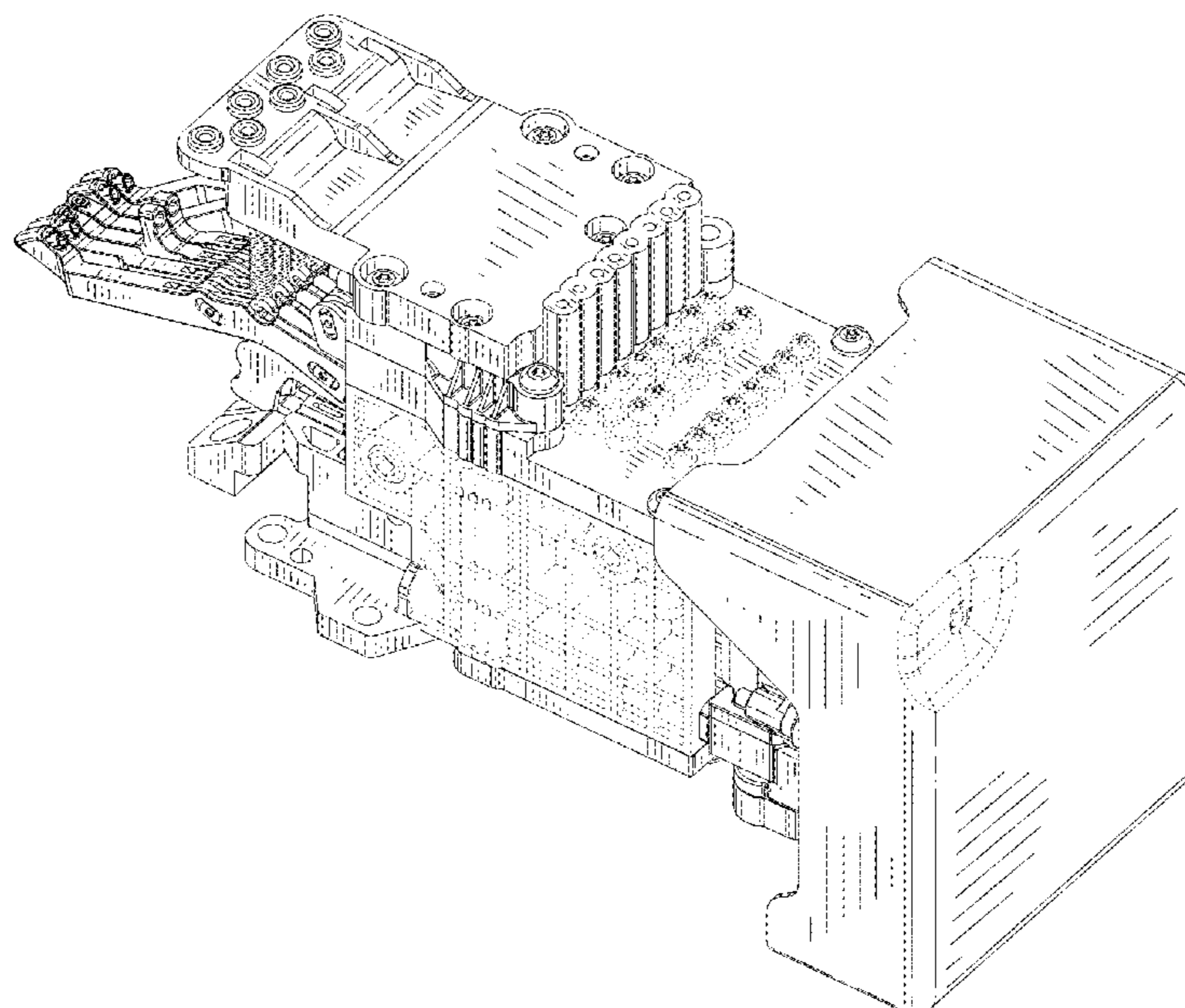
The ornamental design for a textile machine, as shown and described.

DESCRIPTION

FIG. 1 is a perspective view of the textile machine; FIG. 2 is a top view thereof; FIG. 3 is a bottom view thereof; FIG. 4 is a front view thereof; FIG. 5 is a rear view thereof; FIG. 6 is a left-side view thereof; and, FIG. 7 is a right-side view thereof. The broken lines depict unclaimed parts of the textile machine and form no part of the claimed design.

1 Claim, 7 Drawing Sheets

- (56) **References Cited**
U.S. PATENT DOCUMENTS
- 2,153,019 A * 4/1939 Holmes D04B 9/06
66/200
- D198,581 S * 7/1964 Kamp D15/66
- 3,859,822 A * 1/1975 Renda D04B 15/94
66/8
- 3,959,992 A * 6/1976 Eschenbach D04B 15/00
66/8
- 4,033,147 A * 7/1977 King D04B 15/00
297/217.1
- D246,244 S * 11/1977 Current D15/66
- D247,900 S * 5/1978 Current D15/66



(56)

References Cited

U.S. PATENT DOCUMENTS

| | | | | |
|--------------|------|--------|--------------|-----------|
| 10,240,266 | B2 * | 3/2019 | Lonati | D04B 9/06 |
| 2010/0192637 | A1 * | 8/2010 | Lonati | D04B 9/06 |
| | | | | 66/19 |

* cited by examiner

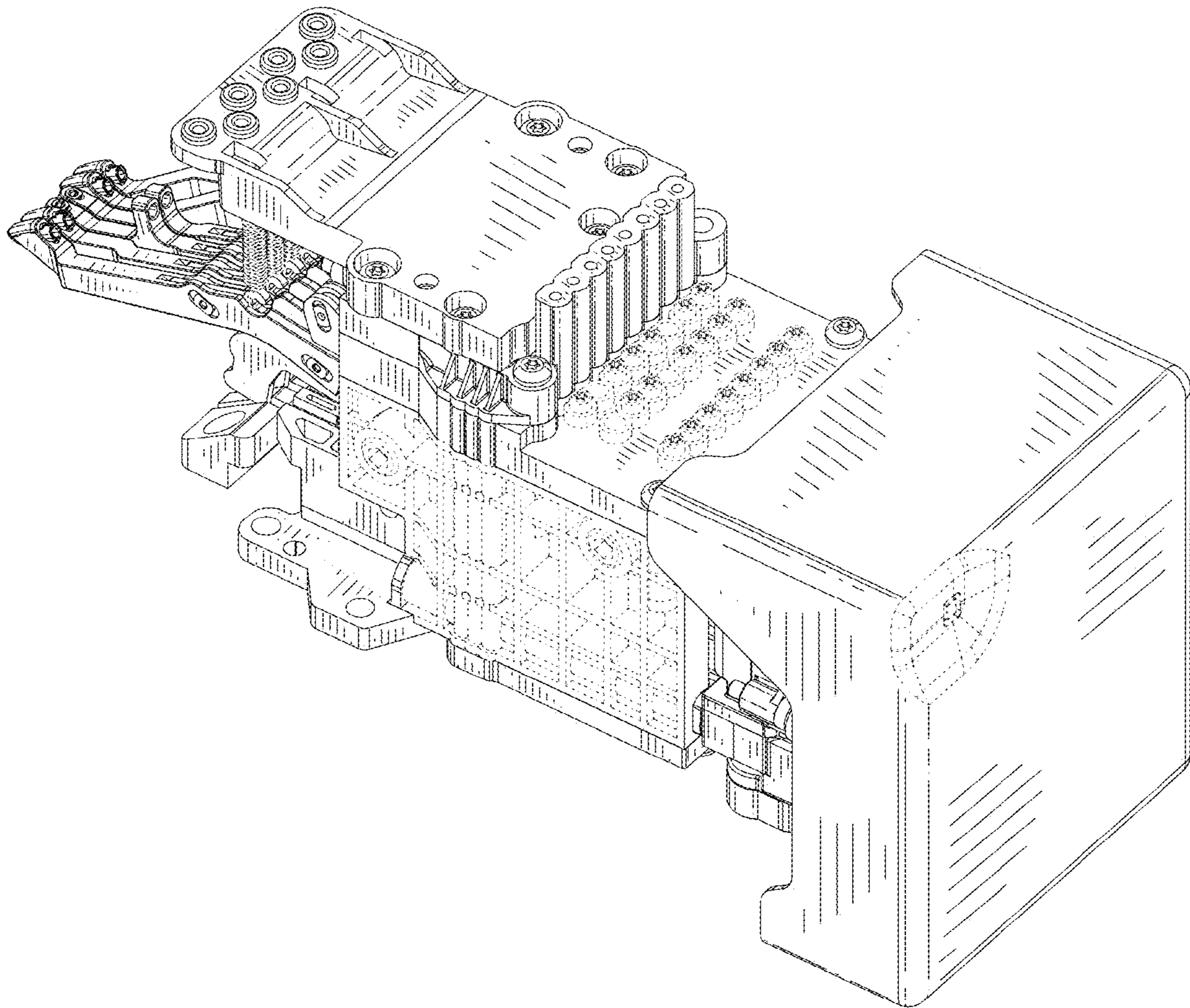


FIG.1

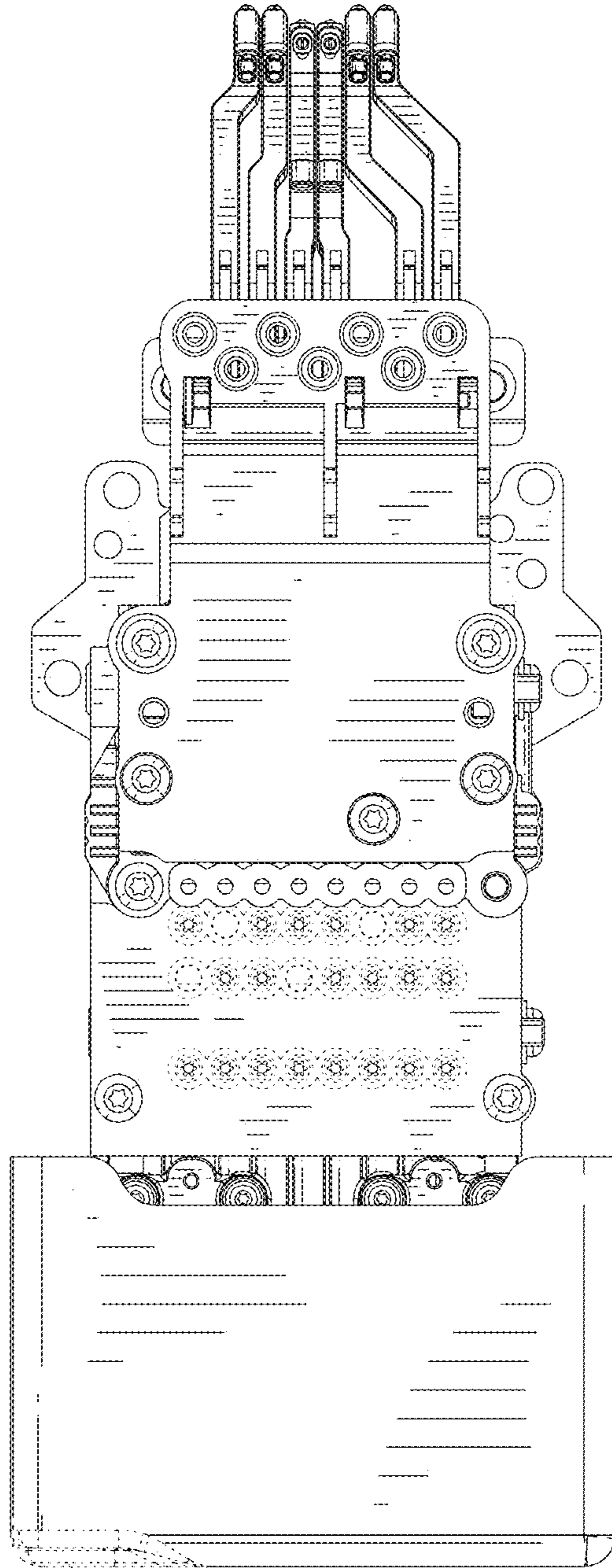


FIG.2

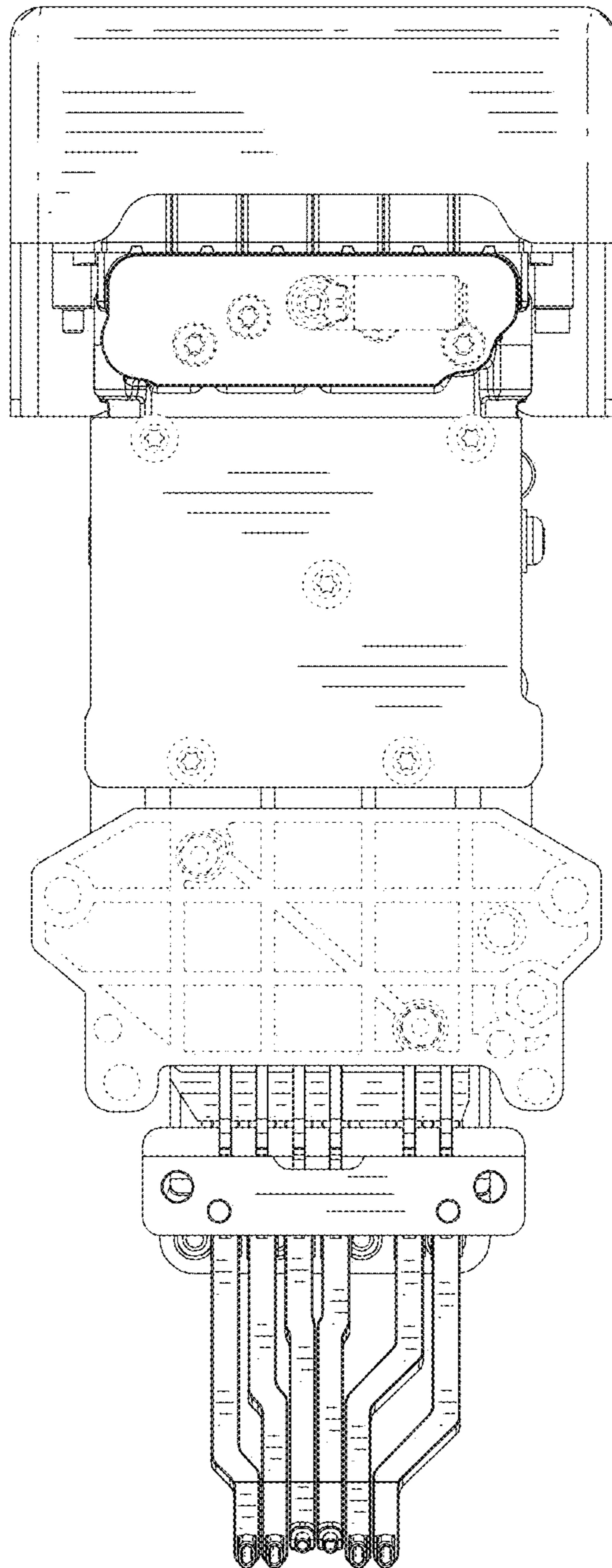


FIG.3

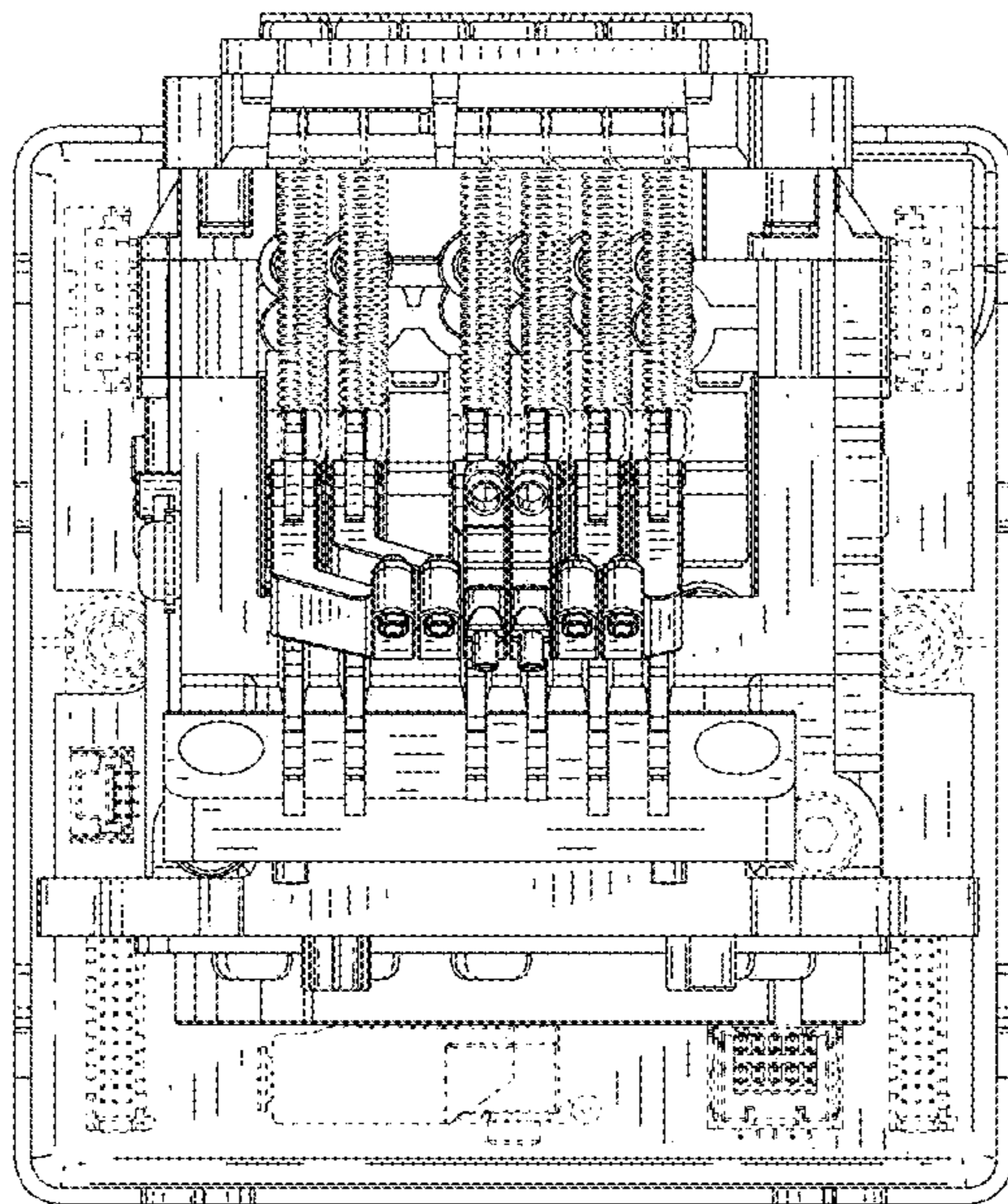


FIG.4

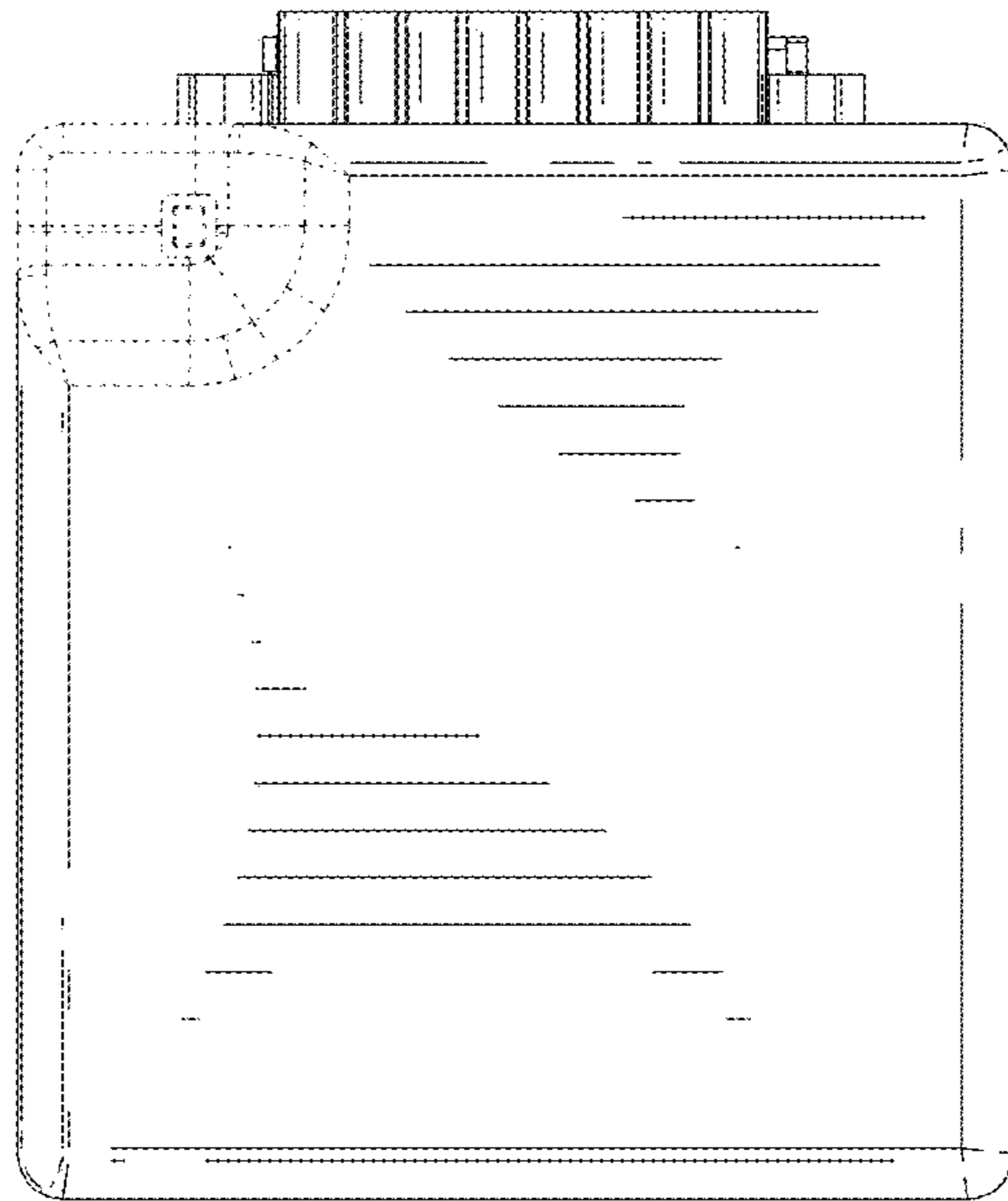


FIG.5

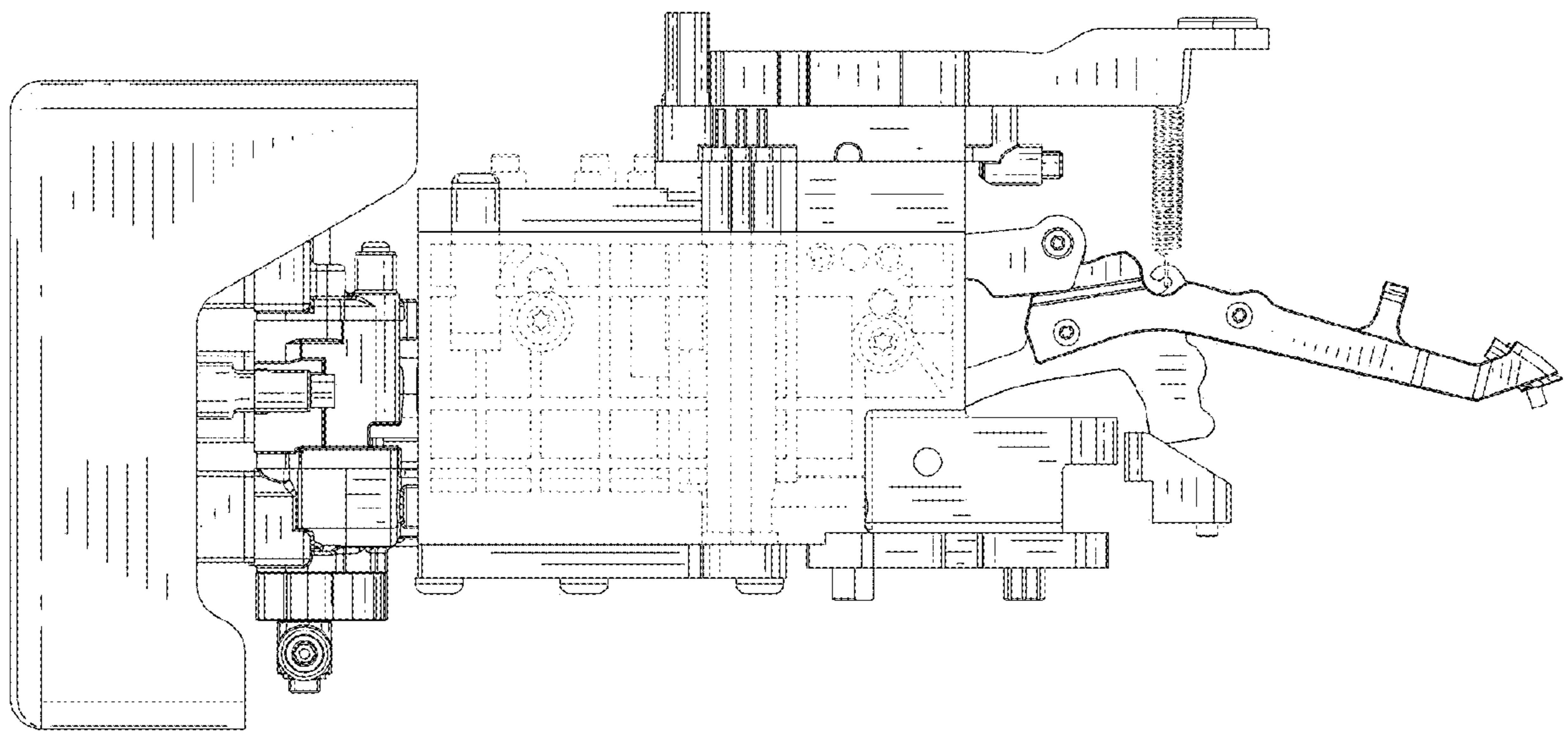


FIG.6

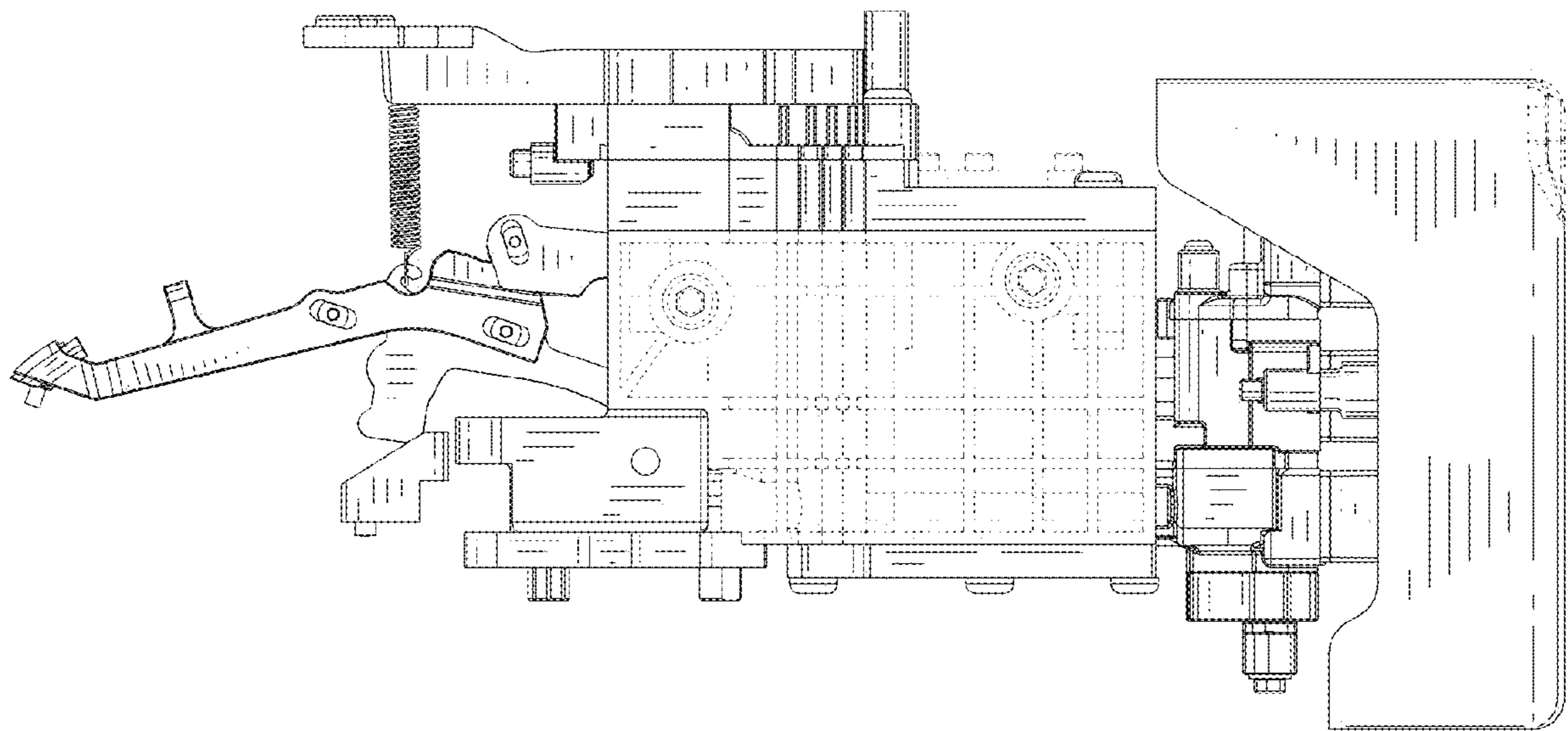


FIG.7