

US00D873304S

(12) **United States Design Patent**  
**Jackson et al.**

(10) **Patent No.:** **US D873,304 S**  
(45) **Date of Patent:** **\*\* Jan. 21, 2020**

(54) **LIGHTING ASSEMBLY OF AN  
AGRICULTURAL WORK VEHICLE**

D825,800 S \* 8/2018 Peterson ..... D26/28  
D827,168 S \* 8/2018 Haizuka ..... D26/28  
D832,479 S \* 10/2018 Yang ..... D26/39

(71) Applicant: **CNH Industrial America LLC**, New  
Holland, PA (US)

**OTHER PUBLICATIONS**

(72) Inventors: **Dwayne St. George Jackson**,  
Plainfield, IL (US); **Frank Zsigmond  
Asztalos**, Orchard Lake, MI (US)

U.S. Appl. No. 29/567,581, filed Jun. 10, 2016, Dwayne St. George  
Jackson.

U.S. Appl. No. 29/567,582, filed Jun. 10, 2016, Dwayne St. George  
Jackson.

(73) Assignee: **CNH Industrial America LLC**, New  
Holland, PA (US)

U.S. Appl. No. 29/567,593, filed Jun. 10, 2016, Dwayne St. George  
Jackson.

(Continued)

(\*\*) Term: **15 Years**

*Primary Examiner* — Mark A Goodwin

(21) Appl. No.: **29/567,579**

(74) *Attorney, Agent, or Firm* — Rickard K. DeMille;  
Rebecca L. Henkel

(22) Filed: **Jun. 10, 2016**

(51) **LOC (12) Cl.** ..... **15-03**

(57) **CLAIM**

(52) **U.S. Cl.**  
USPC ..... **D15/28**

The ornamental design for a lighting assembly of an agri-  
cultural work vehicle, substantially as shown and described.

(58) **Field of Classification Search**

**DESCRIPTION**

USPC ..... D15/10, 22-26, 28, 31, 33; 37/455, 442,  
37/443, 403, 409; 180/89.1, 89.12, 298,  
180/900, 68.5; 414/685, 694, 722, 724  
CPC ..... E02F 9/0891; E02F 9/08; B62D 25/10;  
B60K 11/08; B60K 11/00; F01P  
2001/005; F01P 11/10; F01P 1/00  
See application file for complete search history.

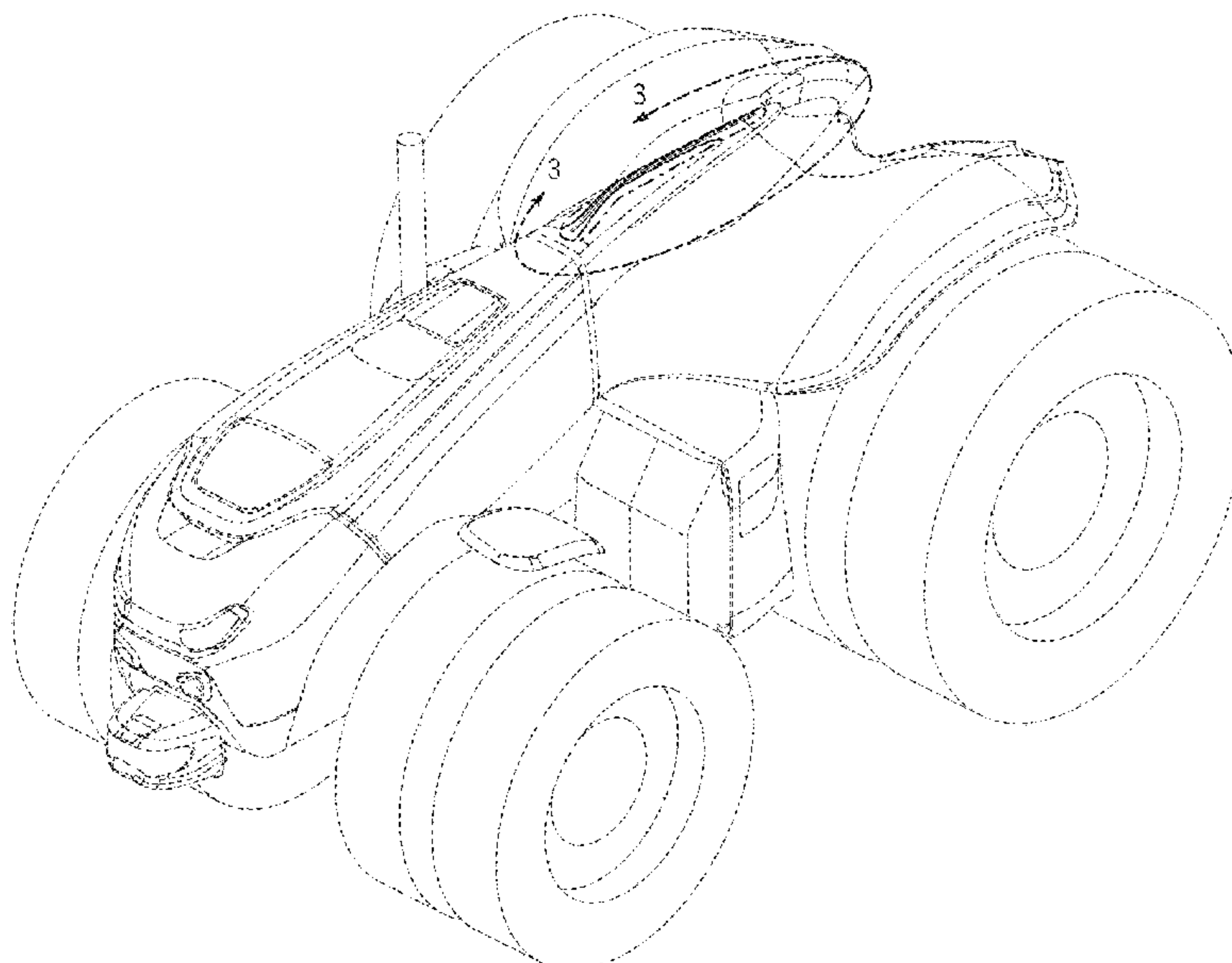
FIG. 1 is a front perspective view of a lighting assembly of  
an agricultural work vehicle;  
FIG. 2 is a back perspective view of the lighting assembly;  
FIG. 3 is a front perspective view of the lighting assembly,  
taken within line 3-3 of FIG. 1;  
FIG. 4 is a back perspective view of the lighting assembly,  
taken within line 4-4 of FIG. 2;  
FIG. 5 is a top view of the lighting assembly;  
FIG. 6 is a right side view of the lighting assembly;  
FIG. 7 is a left side view of the lighting assembly;  
FIG. 8 is a front view of the lighting assembly; and,  
FIG. 9 is a back view of the lighting assembly.  
Phantom lines, where utilized, are for illustrative purposes  
only and form no part of the claimed design.

(56) **References Cited**

**U.S. PATENT DOCUMENTS**

D460,087 S \* 7/2002 Crookes ..... D15/28  
D473,881 S \* 4/2003 Kuwae ..... D15/28  
D662,634 S \* 6/2012 Koizumi ..... D26/28  
D711,563 S \* 8/2014 Dickman ..... D26/28  
D725,805 S \* 3/2015 Dickman ..... D26/28  
D772,445 S \* 11/2016 Ding ..... D26/28  
D799,083 S \* 10/2017 Sakata ..... D26/28  
D809,025 S \* 1/2018 Okuyama ..... D15/31

**1 Claim, 5 Drawing Sheets**



(56)

**References Cited**

OTHER PUBLICATIONS

U.S. Appl. No. 29/567,603, filed Jun. 10, 2016, Dwayne St. George Jackson.  
U.S. Appl. No. 29/567,605, filed Jun. 10, 2016, Dwayne St. George Jackson.  
U.S. Appl. No. 29/567,607, filed Jun. 10, 2016, Dwayne St. George Jackson.  
U.S. Appl. No. 29/567,615, filed Jun. 10, 2016, Dwayne St. George Jackson.  
U.S. Appl. No. 29/567,621, filed Jun. 10, 2016, Dwayne St. George Jackson.  
U.S. Appl. No. 29/567,622, filed Jun. 10, 2016, Dwayne St. George Jackson.  
U.S. Appl. No. 29/567,653, filed Jun. 10, 2016, Frank Zsigmond Asztalos.

\* cited by examiner

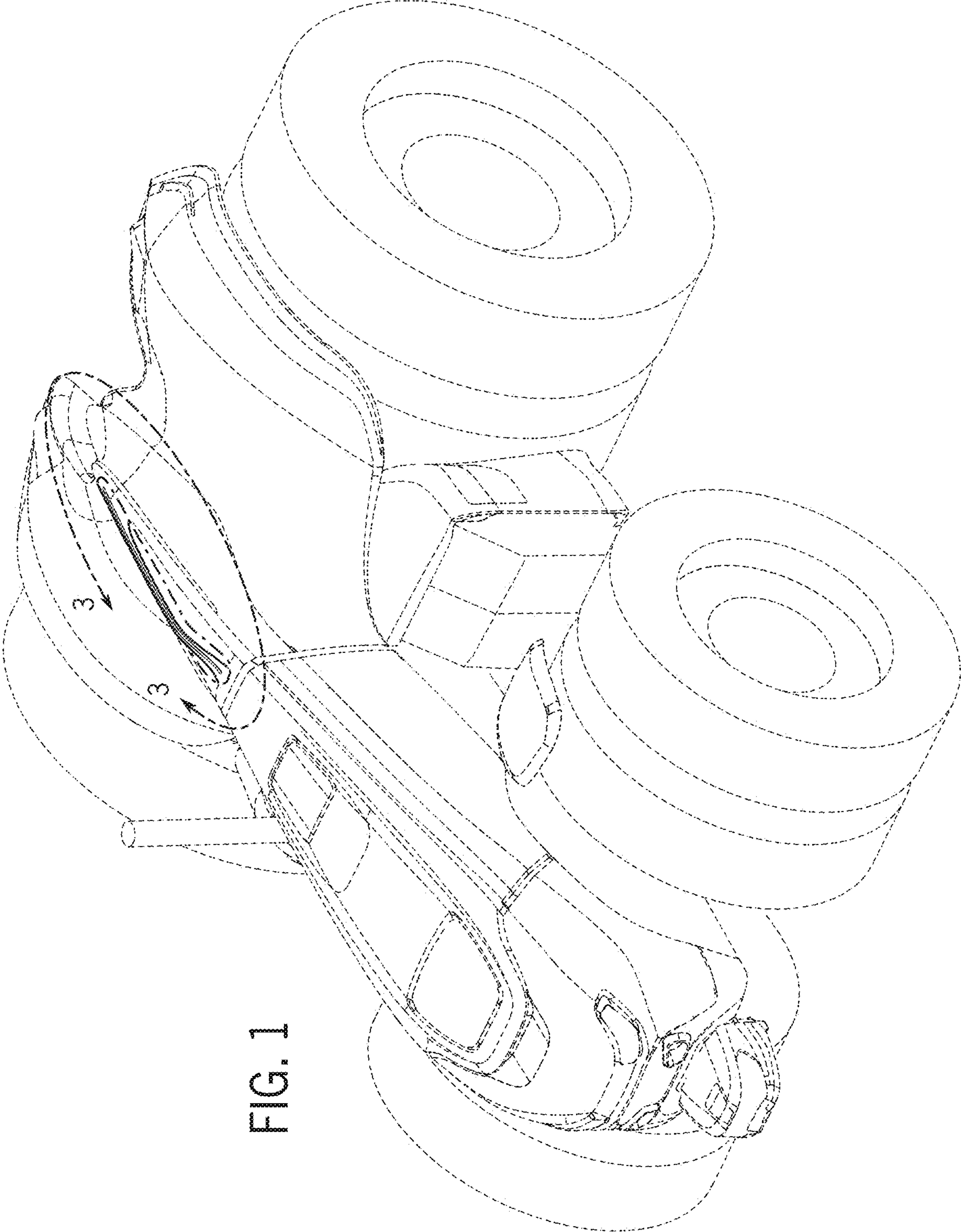


FIG. 1



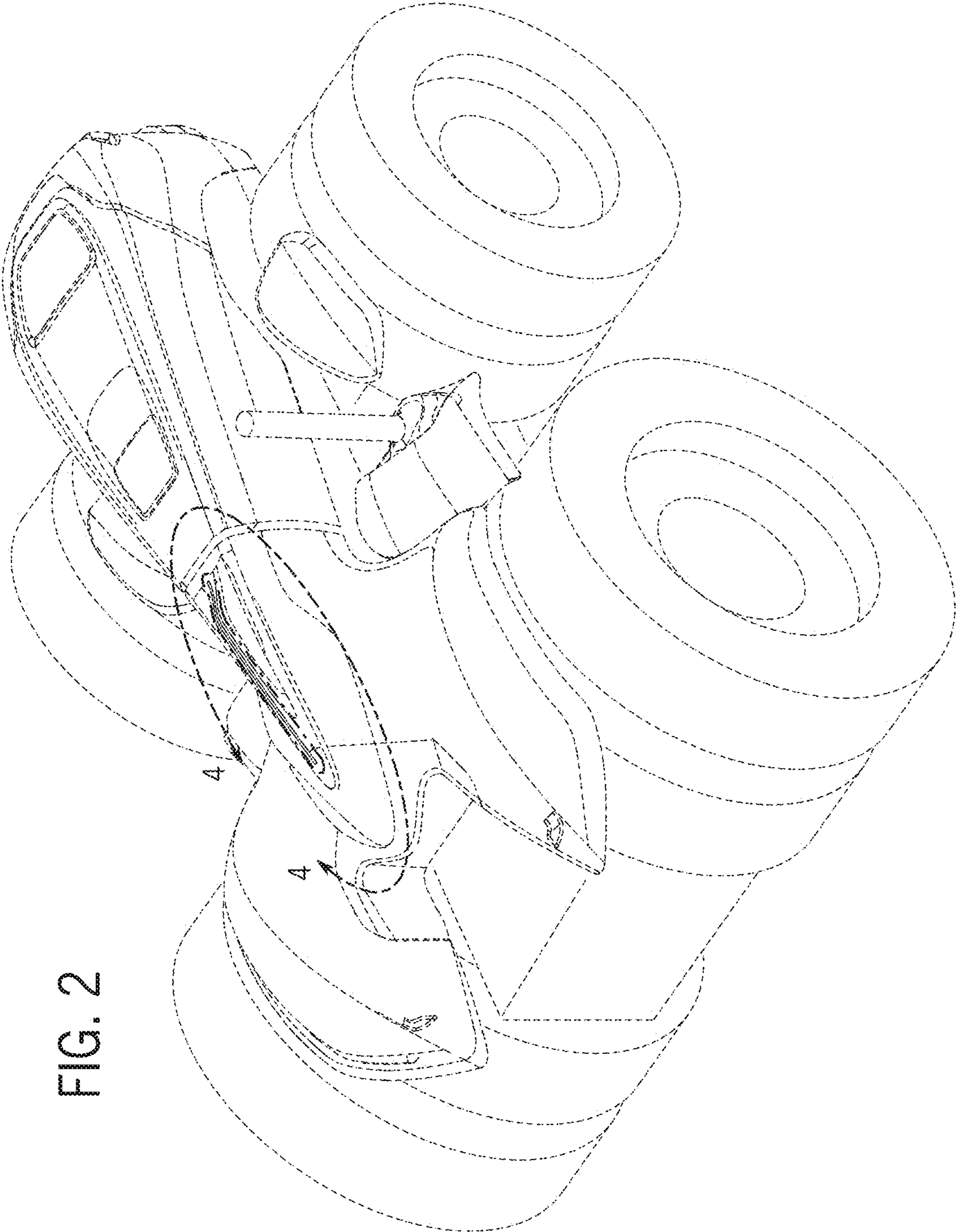


FIG. 2

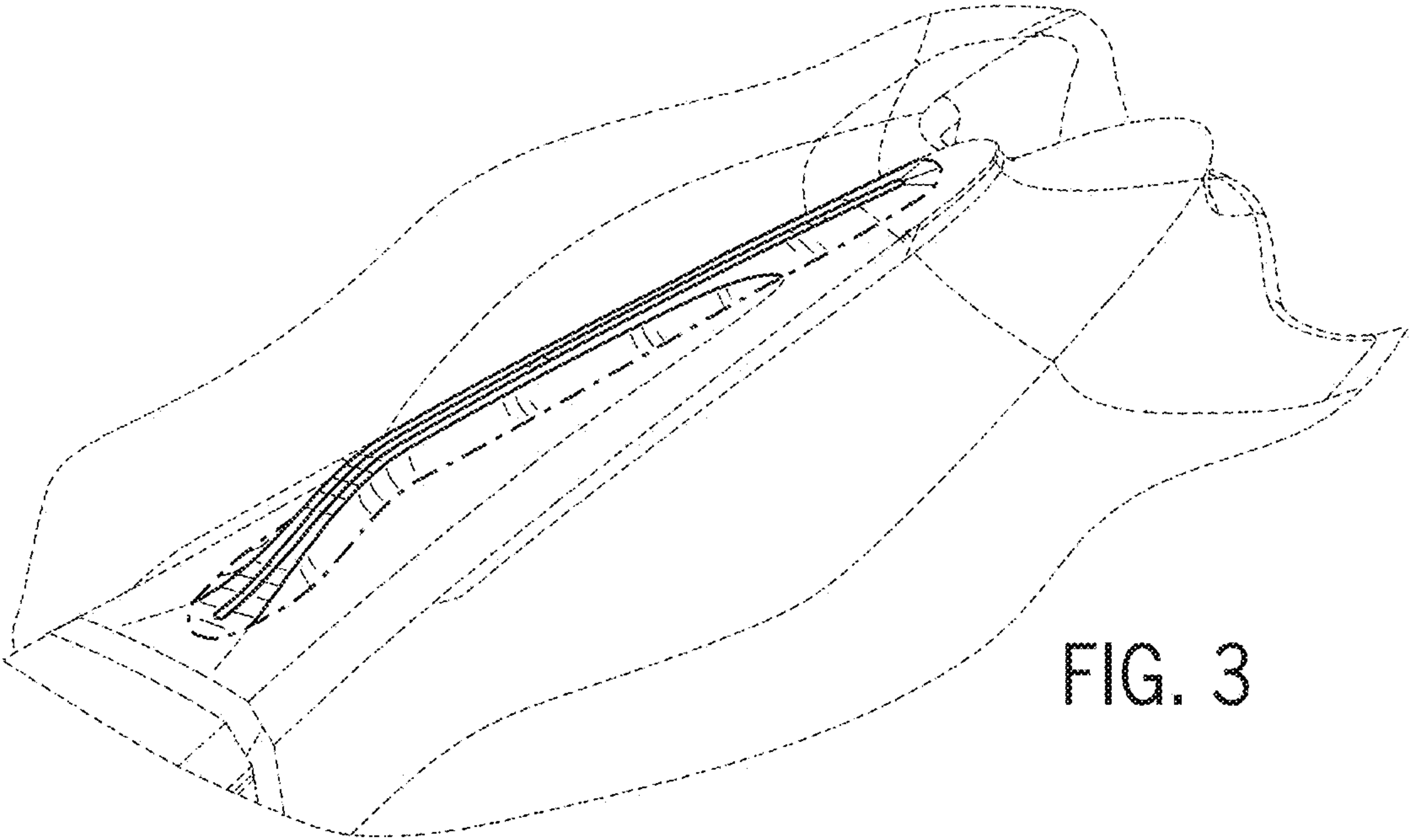


FIG. 3

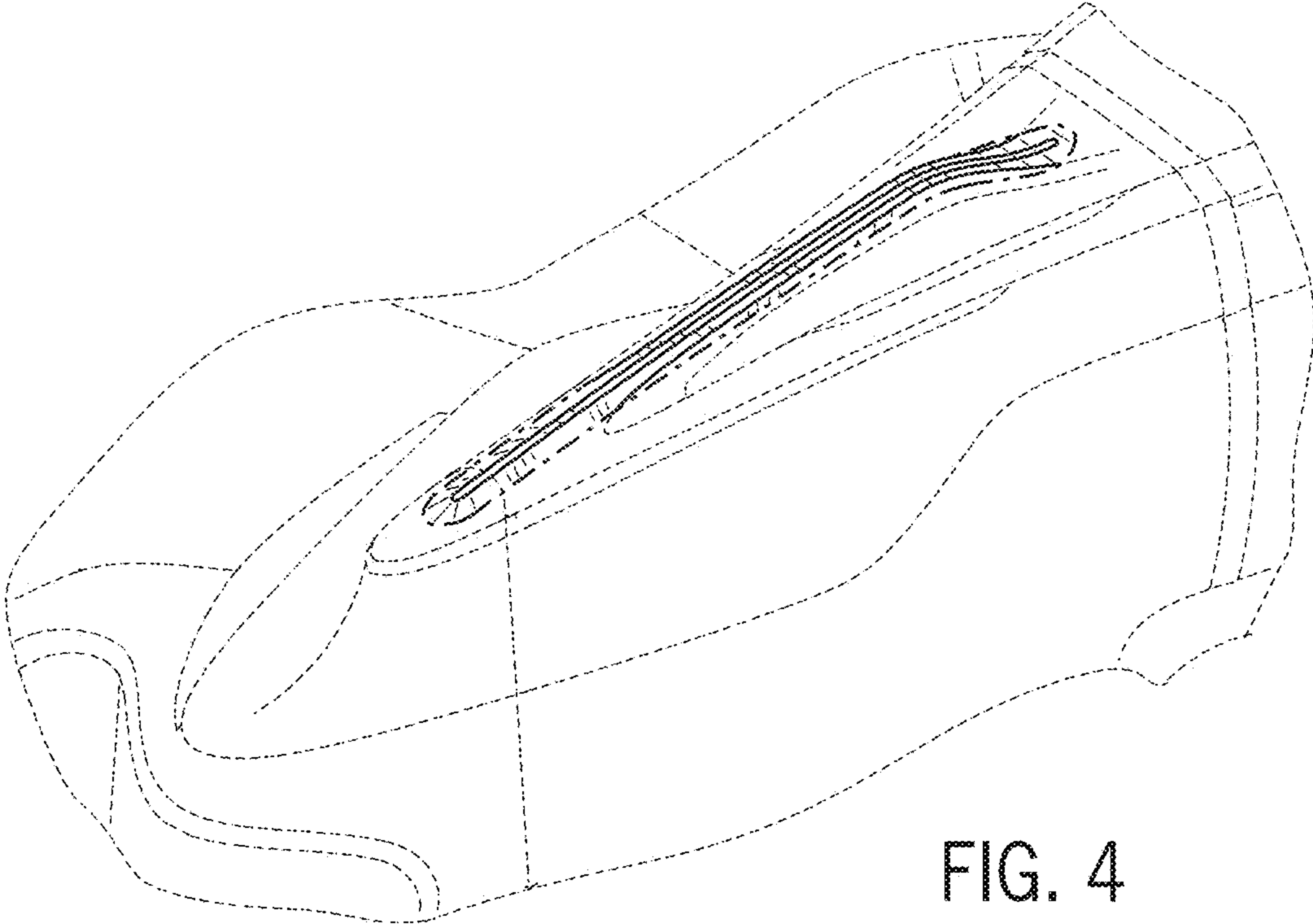


FIG. 4

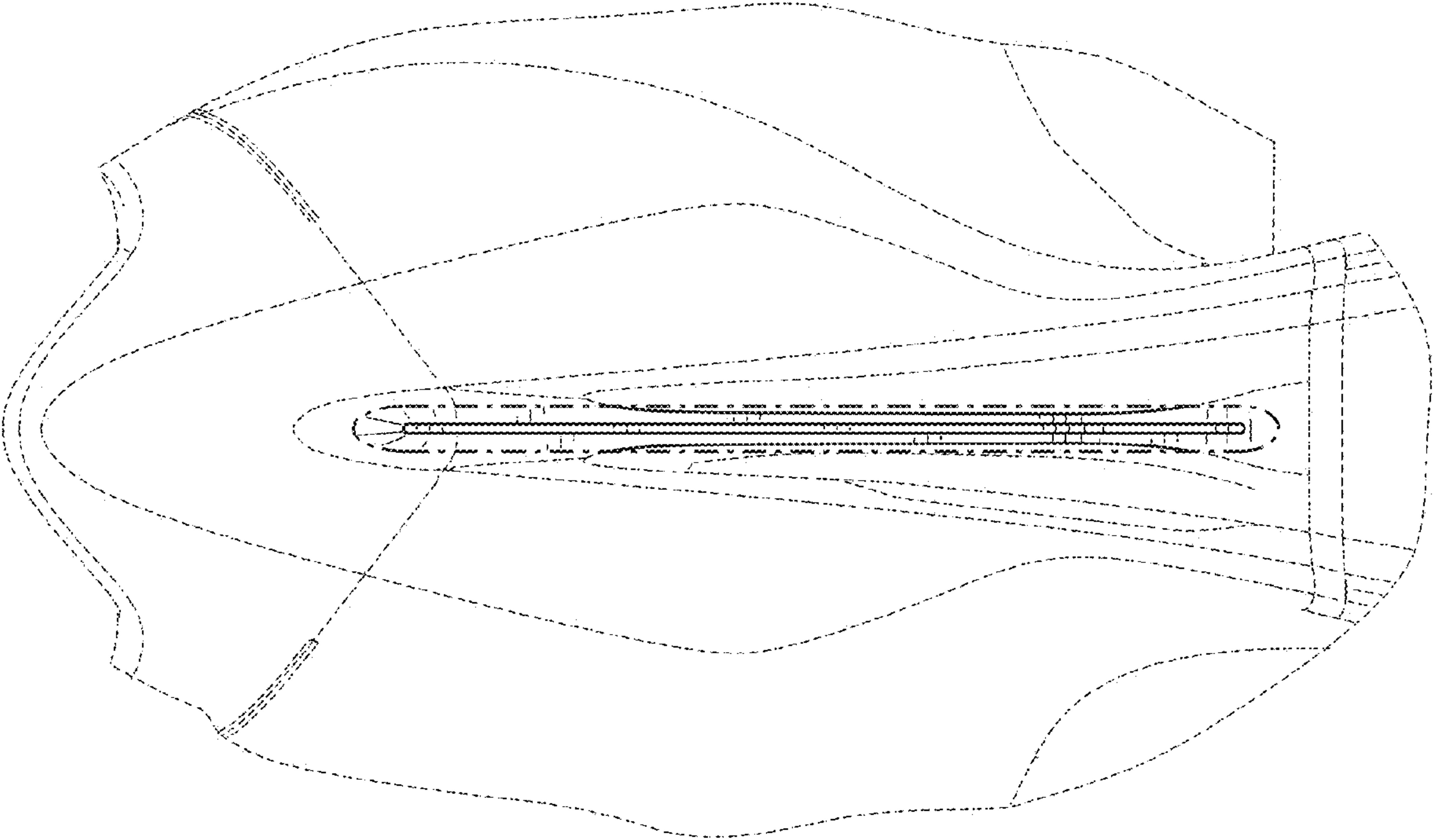


FIG. 5

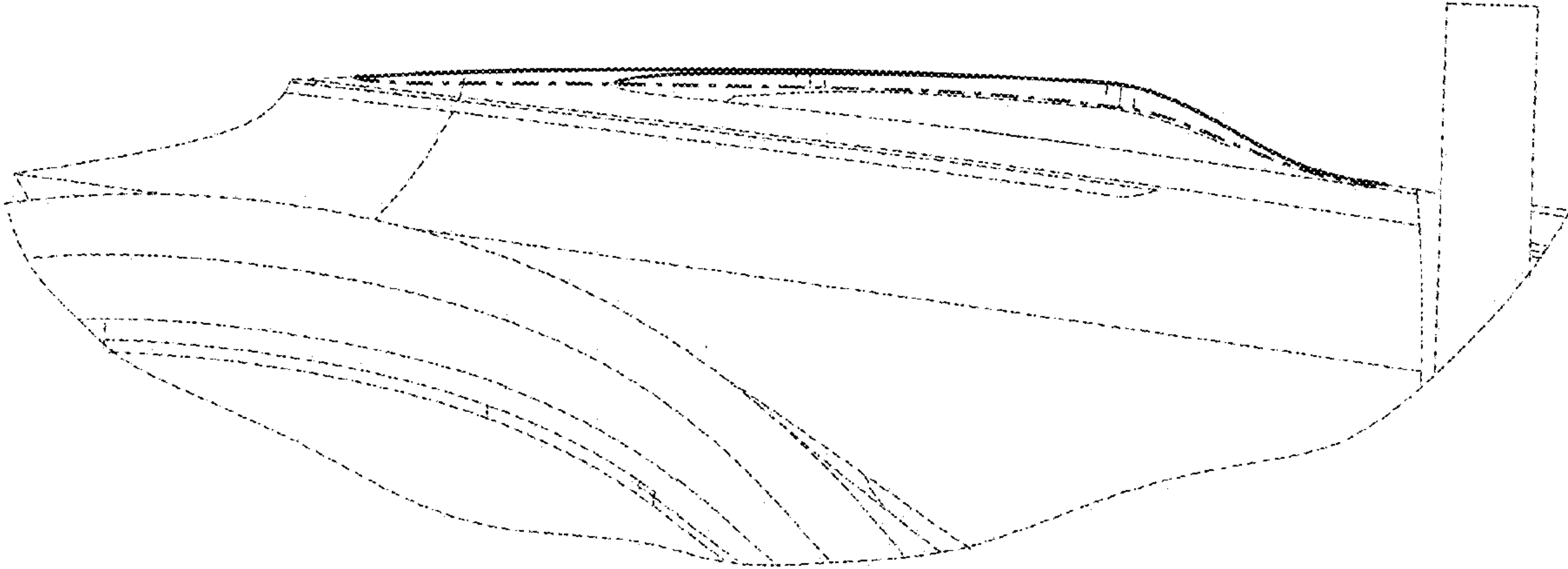


FIG. 6

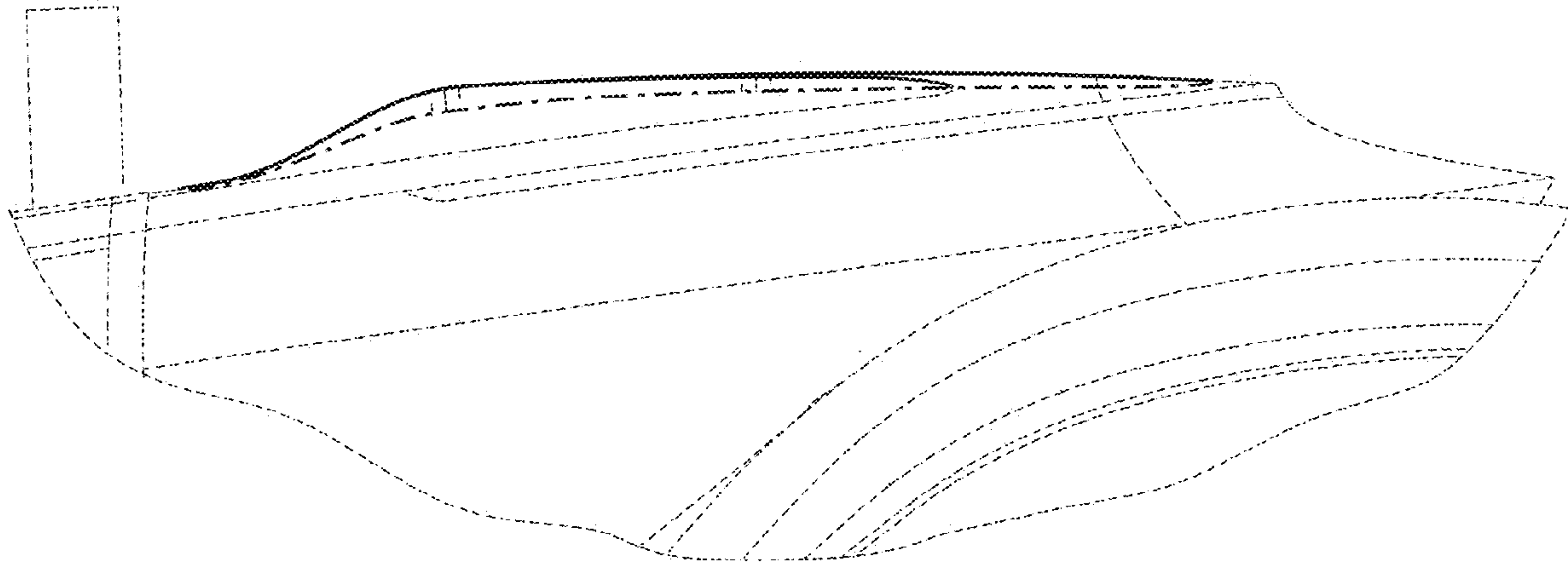


FIG. 7

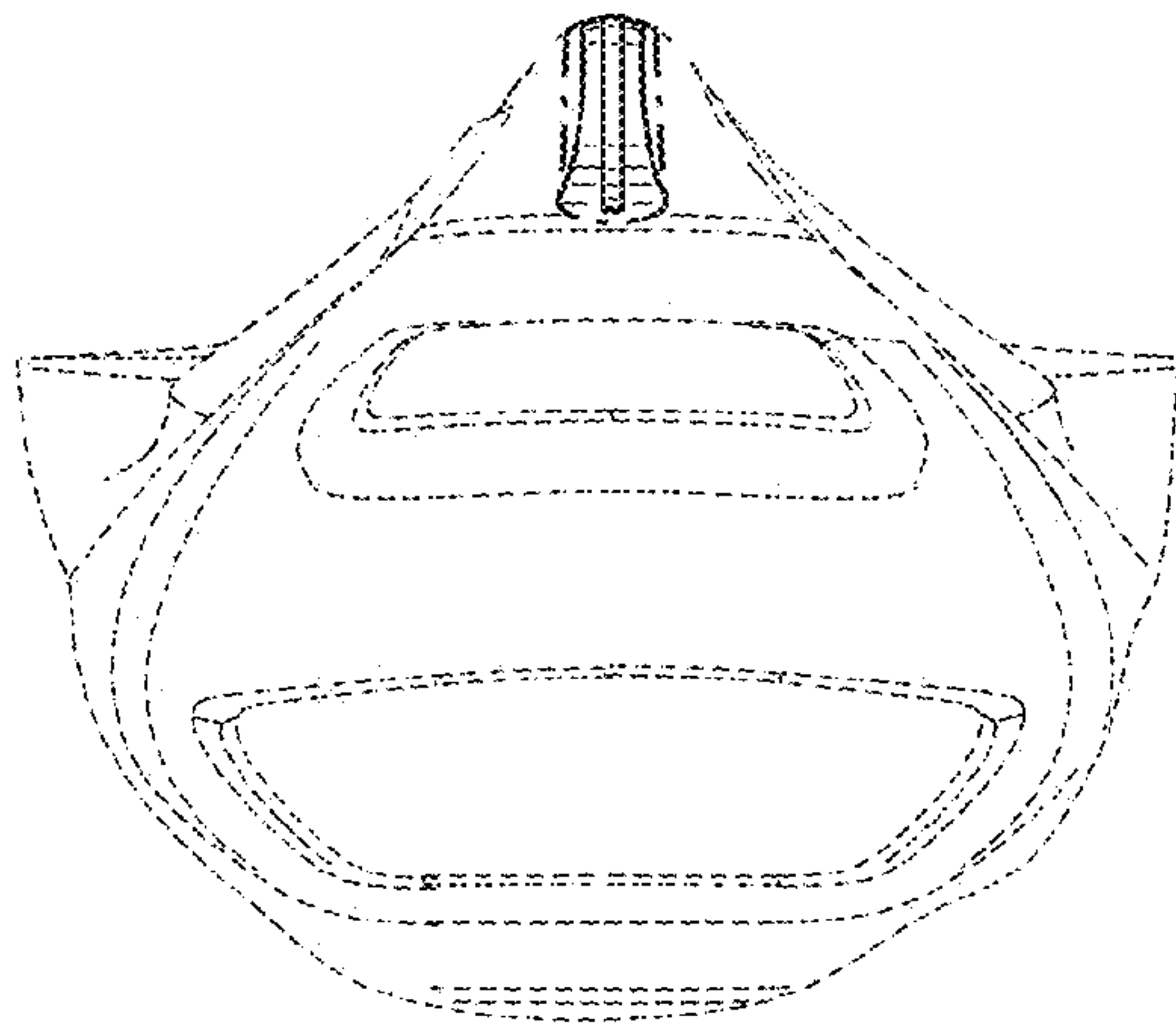


FIG. 8

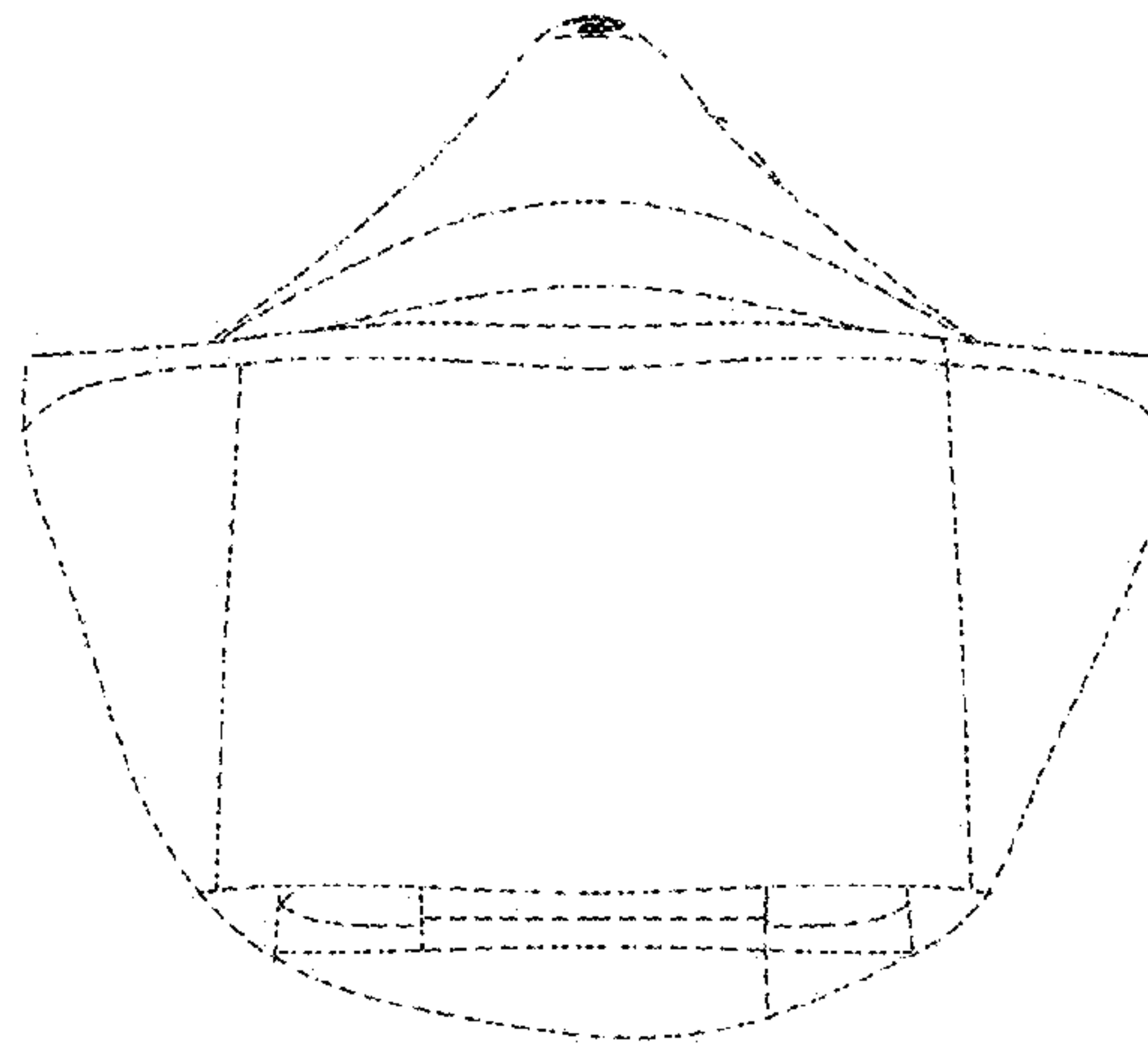


FIG. 9