



US00D873303S

(12) **United States Design Patent**
Udipi et al.

(10) **Patent No.:** **US D873,303 S**
(45) **Date of Patent:** **** Jan. 21, 2020**

(54) **TRACTION MOTOR BOOT MOUNT**

(71) Applicant: **Transportation IP Holdings, LLC,**
Norwalk, CT (US)

(72) Inventors: **Rajesh Udipi,** Bangalore (IN); **Anatoly Kvasnikov,** Moscow (RU); **Ilya Ilyich Prosin,** Moscow (RU)

(73) Assignee: **Transportation IP Holdings, LLC,**
Norwalk, CT (US)

(**) Term: **15 Years**

(21) Appl. No.: **29/563,964**

(22) Filed: **May 10, 2016**

(51) **LOC (12) Cl.** **15-03**

(52) **U.S. Cl.**

USPC **D15/28; D12/45**

(58) **Field of Classification Search**

USPC **D15/10, 28; D12/42, 43, 45, 51**

CPC **B61F 5/02; B61F 5/10**

See application file for complete search history.

(56) **References Cited**

U.S. PATENT DOCUMENTS

D22,468 S * 5/1893 Brill D12/45
D22,490 S * 5/1893 Brill D12/45

D22,966 S * 12/1893 Brill D12/45
D25,101 S * 1/1896 Adams D12/45
D32,546 S * 4/1900 Coller et al. D12/45
3,961,582 A * 6/1976 Paton B60G 15/04
105/3
D824,430 S * 7/2018 Sivinski D15/28
2005/0005815 A1 * 1/2005 Forbes B61F 5/06
105/453

* cited by examiner

Primary Examiner — Mark A Goodwin

(74) *Attorney, Agent, or Firm* — McCoy Russell LLP

(57) **CLAIM**

The ornamental design for a traction motor boot mount, as shown and described.

DESCRIPTION

FIG. 1 is a perspective view of a traction motor boot mount depicting a new design;

FIG. 2 is a first side view thereof;

FIG. 3 is a second side view thereof;

FIG. 4 is a first end view thereof;

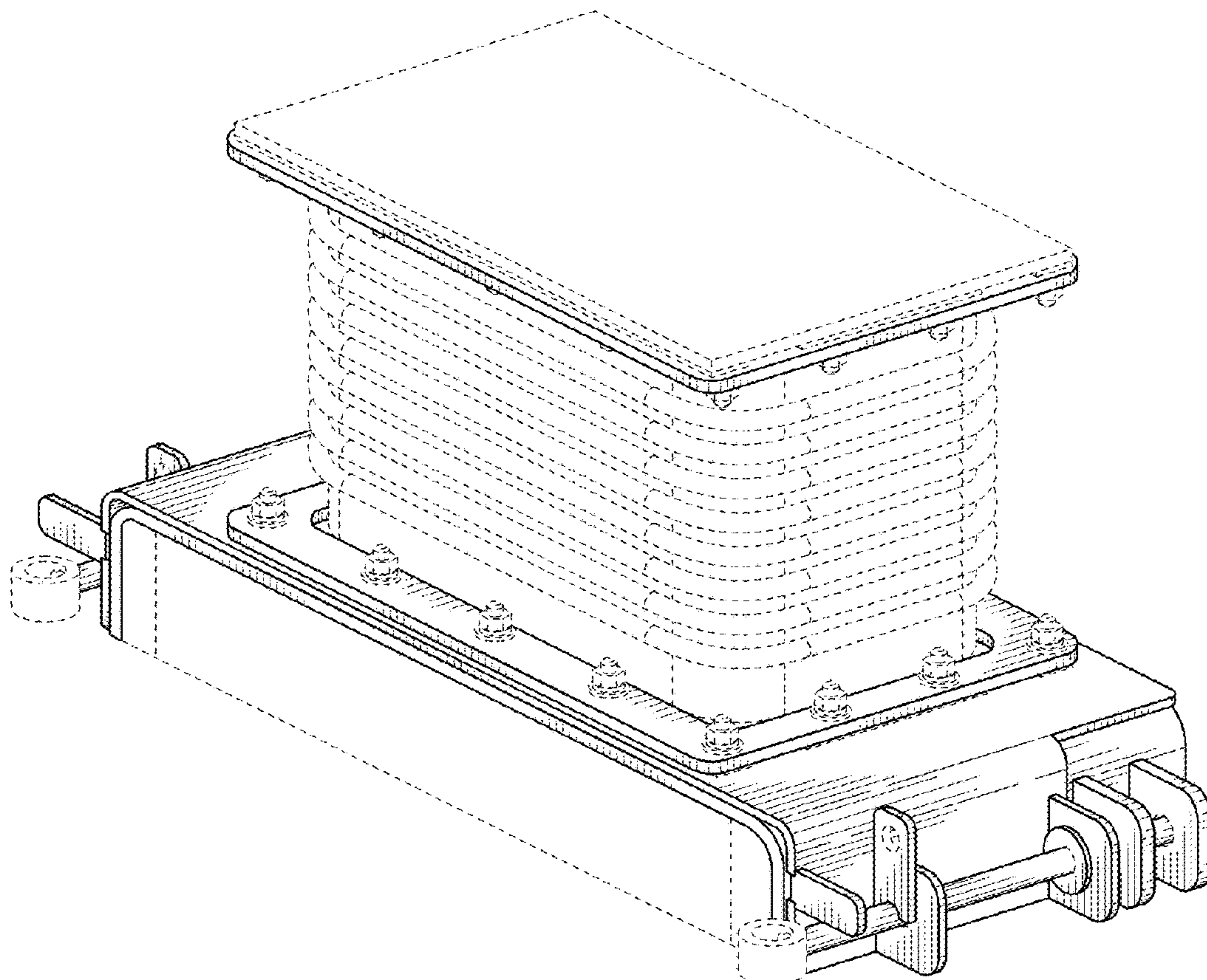
FIG. 5 is a second end view thereof;

FIG. 6 is a top view thereof; and,

FIG. 7 is a bottom view thereof.

The broken line portion of the figure drawings is included to show unclaimed subject matter only and forms no part of the claimed design.

1 Claim, 6 Drawing Sheets



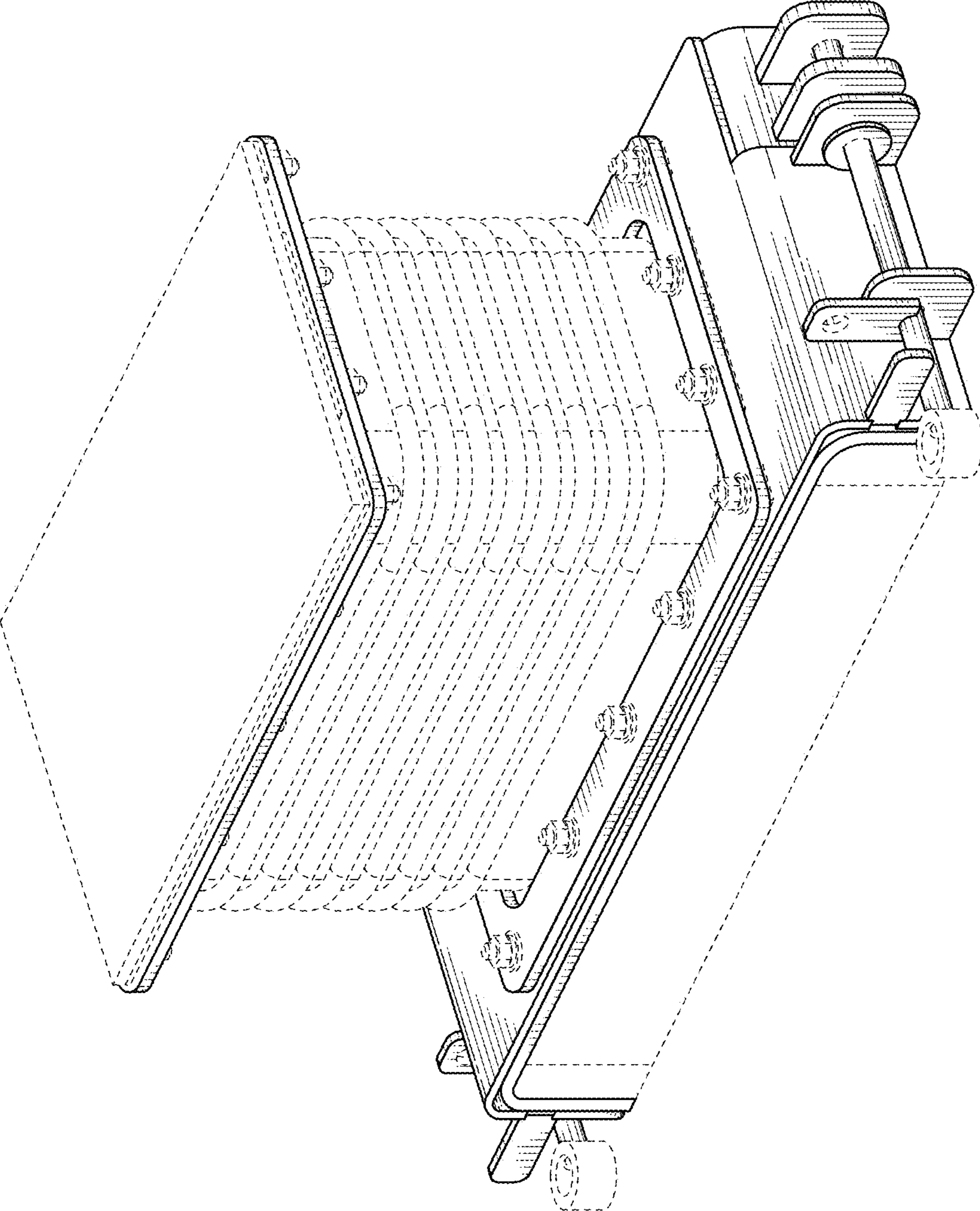


FIG. 1

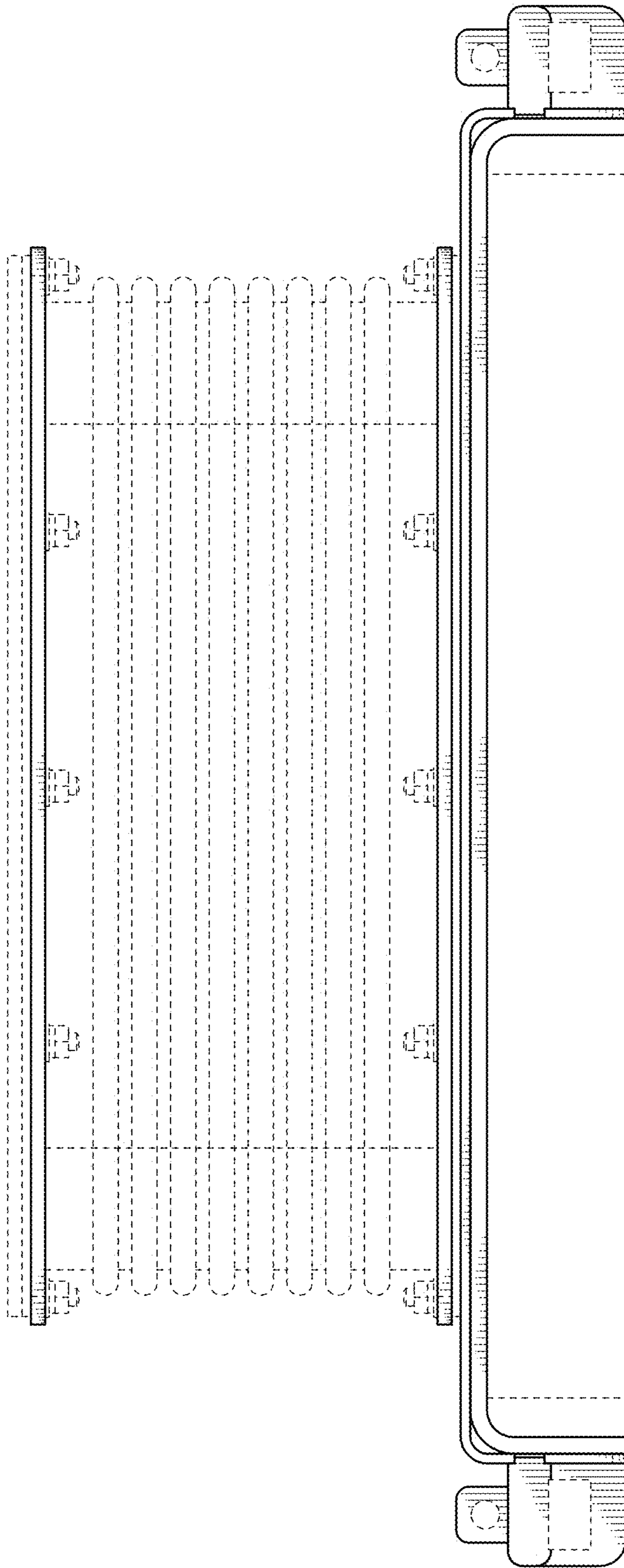


FIG. 2

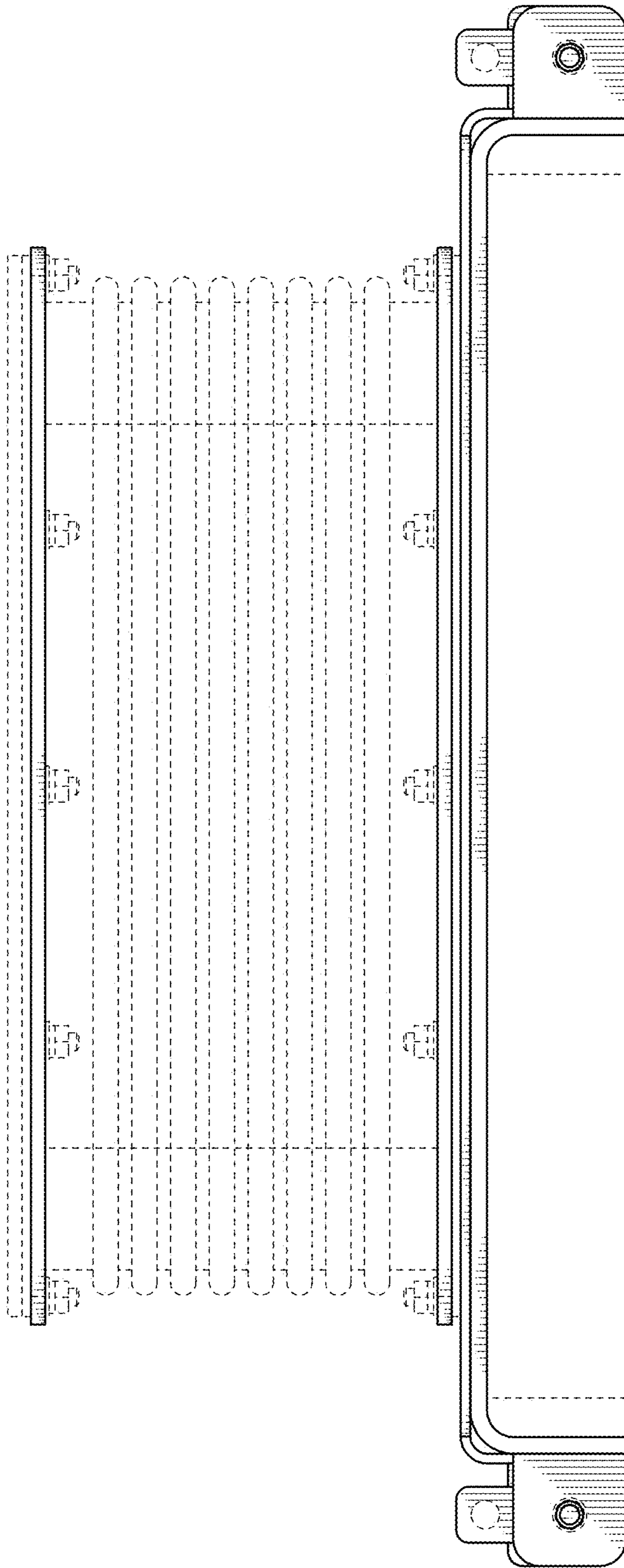


FIG. 3

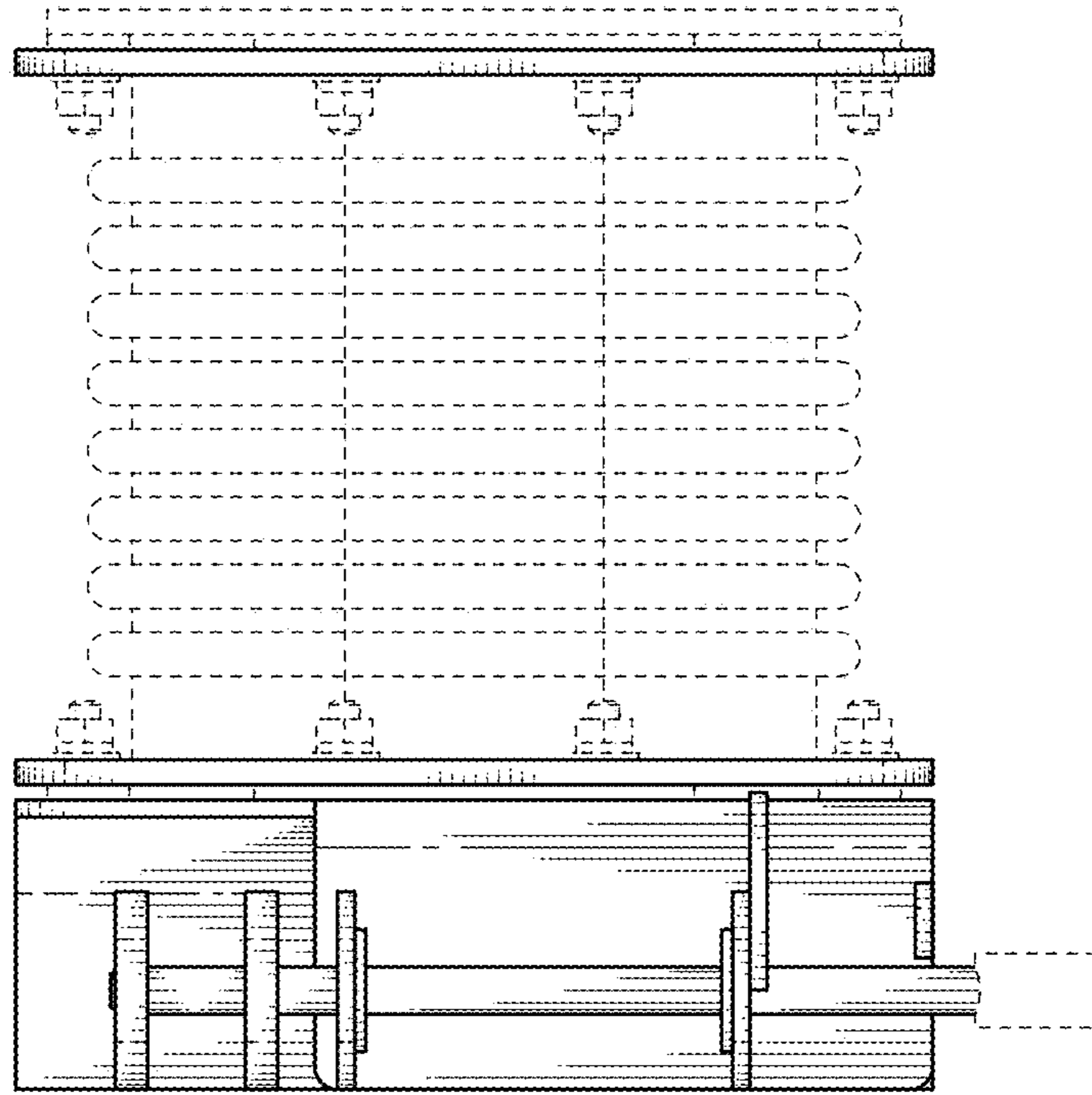


FIG. 4

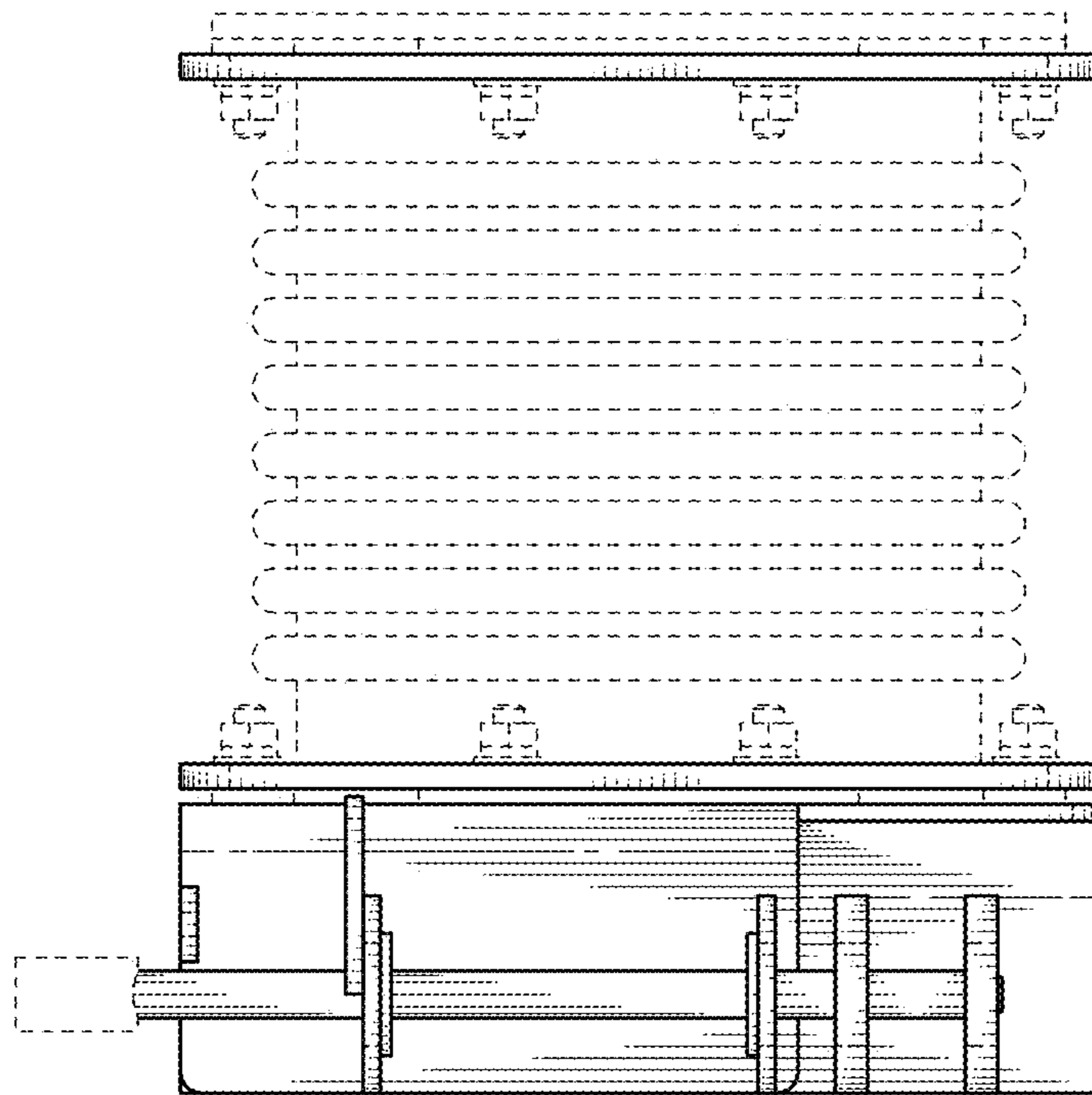


FIG. 5

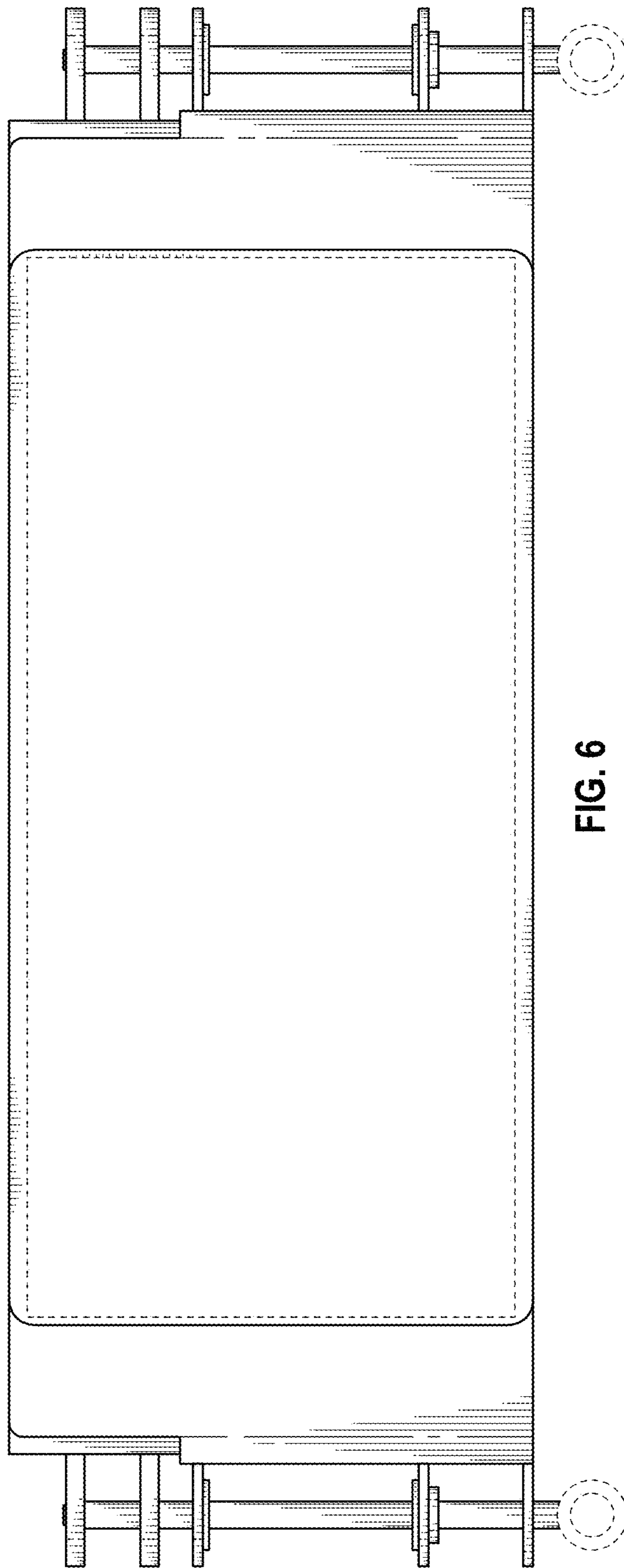


FIG. 6



FIG. 7