



US00D873300S

(12) **United States Design Patent** (10) **Patent No.:** **US D873,300 S**
Lee et al. (45) **Date of Patent:** **** Jan. 21, 2020**

(54) **DISPLAY SCREEN OR PORTION THEREOF WITH GRAPHICAL USER INTERFACE**

(56) **References Cited**

(71) Applicant: **Samsung Electronics Co., Ltd.**, Suwon-si (KR)

6,540,260 B1 4/2003 Tan
D481,736 S 11/2003 Ombao

(72) Inventors: **Heon Woo Lee**, Seoul (KR); **Miyeon Park**, Seongnam-si (KR); **Yongman Park**, Yongin-si (KR); **Jakyoung Lee**, Seoul (KR); **Hyerim Kwak**, Seoul (KR); **Soyoung Lee**, Seoul (KR)

(Continued)

FOREIGN PATENT DOCUMENTS

EM 001712977-0003 6/2010
JP D1530198 8/2015

(73) Assignee: **SAMSUNG ELECTRONICS CO., LTD.**, Suwon-si (KR)

OTHER PUBLICATIONS

(**) Term: **15 Years**

ArsTechnica | How Apple Pay and Google Wallet actually work, posted on Oct. 29, 2014, no copyright date posted [online], [site visited May 11, 2017], Available from Internet, <URL: <https://arstechnica.com/gadgets/2014/10/how-mobile-payments-really-work/>>.

(21) Appl. No.: **29/698,312**

(22) Filed: **Jul. 16, 2019**

(Continued)

Related U.S. Application Data

(60) Continuation of application No. 29/679,877, filed on Feb. 11, 2019, now Pat. No. Des. 858,576, which is a continuation of application No. 29/628,115, filed on Dec. 1, 2017, now Pat. No. Des. 844,668, which is a division of application No. 29/608,638, filed on Jun. 23, 2017, now Pat. No. Des. 807,398, which is a division of application No. 29/564,971, filed on May 17, 2016, now Pat. No. Des. 794,048.

Primary Examiner — Philip S Hyder

Assistant Examiner — Cary M Robinson

(74) *Attorney, Agent, or Firm* — McAndrews Held & Malloy, Ltd.

(30) **Foreign Application Priority Data**

Nov. 18, 2015 (KR) 30-2015-0058205

(51) **LOC (12) Cl.** **14-04**

(52) **U.S. Cl.**
USPC **D14/492**

(58) **Field of Classification Search**
USPC D14/485–495
CPC ... B60K 37/00; G06F 3/0481; G06F 3/04845; G06F 3/04817; G06F 17/212; G06F 19/3406; G06T 13/80; G06T 15/02
See application file for complete search history.

(57) **CLAIM**

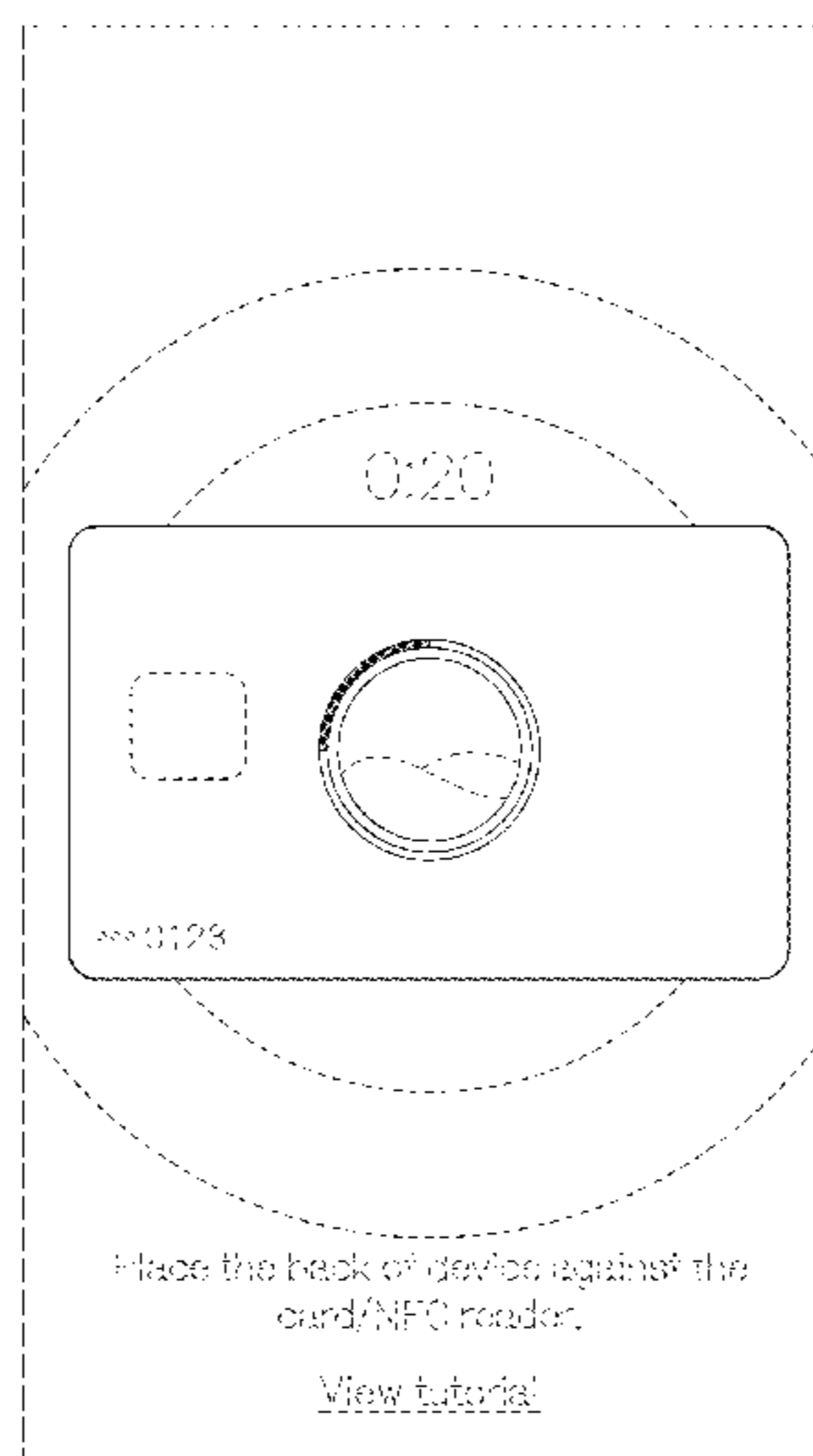
The ornamental design for a display screen or portion thereof with graphical user interface, as shown and described.

DESCRIPTION

The FIGURE is a front view of a display screen or portion thereof with graphical user interface showing our new design.

The broken lines at the outer perimeter of the FIGURE depict a display screen or portion thereof and form no part of the claimed design. The remaining broken lines in the FIGURE depict portions of the graphical user interface that form no part of the claimed design.

1 Claim, 1 Drawing Sheet



(56)

References Cited

U.S. PATENT DOCUMENTS

D617,804 S 6/2010 Hirsch
 D627,360 S 11/2010 Aarseth
 D644,243 S 8/2011 Matas
 D669,497 S 10/2012 Lee
 D690,717 S 10/2013 Thomsen
 D703,692 S 4/2014 Phelan
 D738,380 S 9/2015 Nielsen
 D739,872 S 9/2015 Bang
 D744,496 S 12/2015 Seo
 D746,857 S 1/2016 Rayit
 D746,866 S 1/2016 Memoria
 D750,644 S 3/2016 Bhutank
 D752,061 S 3/2016 Ahn
 D753,151 S 4/2016 Lee
 D754,713 S 4/2016 Zhang
 D756,401 S 5/2016 Soldner
 D757,746 S 5/2016 Lee
 D759,061 S 6/2016 Sahoo
 D760,283 S 6/2016 Horiuchi
 D761,277 S 7/2016 Harvell
 D761,812 S 7/2016 Motamedi
 D761,857 S 7/2016 Mariet
 D762,671 S 8/2016 Chan
 D763,861 S 8/2016 Kaasalainen
 D763,869 S 8/2016 Wang
 D765,101 S 8/2016 Park
 D766,308 S 9/2016 Park
 D769,312 S 10/2016 Chen
 D769,889 S 10/2016 Kuhn
 D773,531 S 12/2016 Toth
 D774,081 S 12/2016 Yoo
 D775,658 S 1/2017 Luo
 D776,152 S 1/2017 Park
 D776,687 S 1/2017 Wick
 D777,200 S 1/2017 Luo
 D777,762 S 1/2017 Park
 D777,778 S 1/2017 Park
 D780,781 S 3/2017 Ding
 D783,633 S 4/2017 Oh
 D783,652 S 4/2017 Guan
 D784,369 S 4/2017 Kuhn
 D784,370 S 4/2017 Kuhn
 D785,013 S 4/2017 Kuhn
 D791,161 S 7/2017 Hatzikostas
 D791,830 S 7/2017 Szeto
 D792,900 S 7/2017 Gaur
 D794,048 S 8/2017 Lee
 D794,055 S 8/2017 Kim
 D796,527 S 9/2017 Lee
 D797,123 S 9/2017 Lee
 D797,124 S 9/2017 Lee
 D797,125 S 9/2017 Lee
 D800,779 S 10/2017 Lee
 D801,350 S 10/2017 Rejkowski
 D803,881 S 11/2017 Hurley
 D804,494 S 12/2017 Bombolowsky
 D804,497 S 12/2017 Akatsu
 D804,498 S 12/2017 Akatsu
 D805,528 S 12/2017 Hersh
 D806,091 S 12/2017 Weaver
 D806,125 S 12/2017 Jewitt
 D806,717 S 1/2018 Bae
 D806,751 S 1/2018 Lee
 D807,398 S 1/2018 Lee
 D807,399 S 1/2018 Lee
 D808,423 S 1/2018 Jiang
 D809,522 S 2/2018 Mizono
 D811,421 S 2/2018 Caldwell
 D813,245 S 3/2018 Mariet
 D813,884 S 3/2018 Penker
 D815,109 S 4/2018 Weaver
 D815,666 S 4/2018 Burns
 D816,690 S 5/2018 Lee
 D819,685 S 6/2018 Lee
 D820,288 S 6/2018 Howell

D821,434 S 6/2018 Park
 D824,405 S 7/2018 Narinedhat
 D826,272 S 8/2018 Lee
 D826,273 S 8/2018 Lee
 D826,274 S 8/2018 Lee
 D826,967 S 8/2018 Li
 D826,987 S 8/2018 Lee
 10,046,144 B2* 8/2018 Lampropoulos
 A61M 25/10182
 D828,370 S 9/2018 Lee
 D828,852 S 9/2018 Park
 D829,219 S 9/2018 Bae
 D829,241 S 9/2018 Clapper
 D829,764 S 10/2018 Clapper
 D831,035 S 10/2018 McGlasson
 D831,054 S 10/2018 Moon
 D831,059 S 10/2018 Bao
 D834,042 S 11/2018 Bae
 D834,596 S 11/2018 Bae
 D835,632 S 12/2018 Liu
 D837,262 S* 1/2019 Lee D14/492
 D844,029 S 3/2019 Bebbington
 D844,668 S* 4/2019 Lee D14/492
 D848,479 S* 5/2019 Lee D14/492
 D848,480 S* 5/2019 Lee D14/492
 D848,481 S* 5/2019 Lee D14/492
 D848,482 S* 5/2019 Lee D14/492
 D849,792 S* 5/2019 Lee D14/492
 D857,749 S* 8/2019 Brinker D14/492
 D858,576 S* 9/2019 Lee D14/492
 2004/0223004 A1 11/2004 Lincke
 2007/0136679 A1 6/2007 Yang
 2008/0126992 A1 5/2008 Scheu
 2010/0299637 A1 11/2010 Chmielewski
 2012/0096383 A1 4/2012 Sakamoto
 2012/0124520 A1 5/2012 Samp
 2013/0103580 A1 4/2013 Ventura
 2013/0127911 A1* 5/2013 Brown G06F 3/04886
 345/649
 2014/0282132 A1 9/2014 Daly, IV
 2015/0019966 A1 1/2015 Jeon
 2015/0040052 A1 2/2015 Noel
 2015/0348029 A1 12/2015 Van Os
 2016/0011850 A1 1/2016 Sheen
 2016/0103562 A1 4/2016 Bombolowsky
 2016/0337346 A1 11/2016 Momchilov
 2017/0109178 A1 4/2017 Chen
 2017/0185991 A1 6/2017 Park

OTHER PUBLICATIONS

Samsung Newsroom | Products | Mobile | Samsung Pay Trial Service Launched in Korea, posted on Jul. 16, 2015, Copyright © 2011-2017 Samsung [online], [site visited May 11, 2017], Available from Internet, URL: <https://news.samsung.com/global/samsung-pay-trial-service-launched-in-korea/>.
 Unknown, "How to Configure Apple Pay on iPhone 6 and iPhone 6 Plus iOS [How-To]", published Oct. 21, 2014 on the internet at OSXiOSExpert: <<https://www.osxiosexpert.com/setup-apple-pay-iphone-6-ios-8/>> (Last accessed Jun. 22, 2017).
 Broussard, Mitchel, "Home Depot Quietly Drops Apple Pay, But Service Continues to Work at Many Store", published May 5, 2015 at MacRumors: <<https://www.macrumors.com/2015/05/05/home-depot-quietly-drops-apple-pay/>> (Last accessed Jun. 22, 2017).
 Unknown, "Apple Pay—Banco Santander", unknown publishing date, <<https://www.bancosantander.es/es/particulares/banca-online/apple-pay>> (Last accessed Jun. 22, 2017).
 Blog Spoon Graphics | Tutorials | How to Create a Vector Illustration from Start to Finish, posted on Jun. 15, 2015, no copyright date posted [online], [site visited Aug. 30, 2017]. Available from Internet, <URL: <https://blog.spoongraphics.co.uk/tutorials/how-to-create-a-vector-illustration-from-start-to-finish/>> (Last accessed Dec. 1, 2017).

* cited by examiner

