



US00D873279S

(12) **United States Design Patent** (10) **Patent No.:** **US D873,279 S**
Dye et al. (45) **Date of Patent:** **** Jan. 21, 2020**

(54) **DISPLAY SCREEN OR PORTION THEREOF WITH GRAPHICAL USER INTERFACE**

(56) **References Cited**

U.S. PATENT DOCUMENTS

(71) Applicant: **Apple Inc.**, Cupertino, CA (US)
 (72) Inventors: **Alan C. Dye**, San Francisco, CA (US);
Jonathan P. Ive, San Francisco, CA (US); **Christopher Wilson**, San Francisco, CA (US); **Eric Lance Wilson**, San Jose, CA (US)
 (73) Assignee: **Apple Inc.**, Cupertino, CA (US)
 (**) Term: **15 Years**
 (21) Appl. No.: **29/633,258**
 (22) Filed: **Jan. 12, 2018**

D212,962 S	12/1968	McLeod	
4,389,122 A	6/1983	Dubois et al.	
D296,992 S *	8/1988	Crocco	D10/32
D297,512 S	9/1988	Kowalenko et al.	
D321,665 S	11/1991	Crocco	
5,113,381 A	5/1992	Sakamoto et al.	
5,220,541 A	6/1993	Vuilleumier	
5,282,179 A	1/1994	Vuilleumier	
5,473,580 A	12/1995	Gilomen et al.	
D379,595 S	6/1997	Choi	
6,081,483 A	6/2000	Capt et al.	
D468,656 S	1/2003	Kallestad	
6,570,823 B1	5/2003	Gilomen et al.	
7,027,360 B2	4/2006	Kitahara et al.	
7,102,962 B2 *	9/2006	Suzuki	G04B 19/247 368/37
D532,017 S *	11/2006	Gusmorino	D14/492
7,167,417 B2	1/2007	Akahane et al.	
7,180,829 B2 *	2/2007	Watanabe	G04B 19/25326 368/37
7,445,374 B2	11/2008	Forsey et al.	
D589,371 S	3/2009	Miloradovic	
D612,748 S	3/2010	Jorst et al.	
D629,311 S	12/2010	Giannini	
D629,703 S	12/2010	Giannini	
D631,764 S	2/2011	Furetta	
D648,638 S	11/2011	Monachon	
D659,154 S *	5/2012	Kim	D14/486
8,279,717 B2 *	10/2012	Hirano	G04B 19/247 368/37
8,366,313 B2	2/2013	Scioscia	
D682,850 S	5/2013	Del Pasqua	
D688,270 S *	8/2013	Jang	D14/492
D695,300 S *	12/2013	Lee	D14/486
D697,823 S	1/2014	Mijatovic	
D698,268 S	1/2014	Mijatovic	
D703,221 S	4/2014	Park et al.	
D703,228 S	4/2014	Abratowski et al.	
D703,229 S	4/2014	Abratowski et al.	
D707,570 S	6/2014	McCormick	
D731,529 S	6/2015	Cavander et al.	
D731,545 S *	6/2015	Lim	D14/492
D735,754 S	8/2015	Chaudhri et al.	
D741,726 S	10/2015	Akana et al.	
9,164,490 B1	10/2015	Fraser	
D747,740 S *	1/2016	Lee	D14/492
D753,696 S	4/2016	Dye et al.	
D755,221 S	5/2016	Kim et al.	
D756,357 S	5/2016	Akana et al.	

Related U.S. Application Data

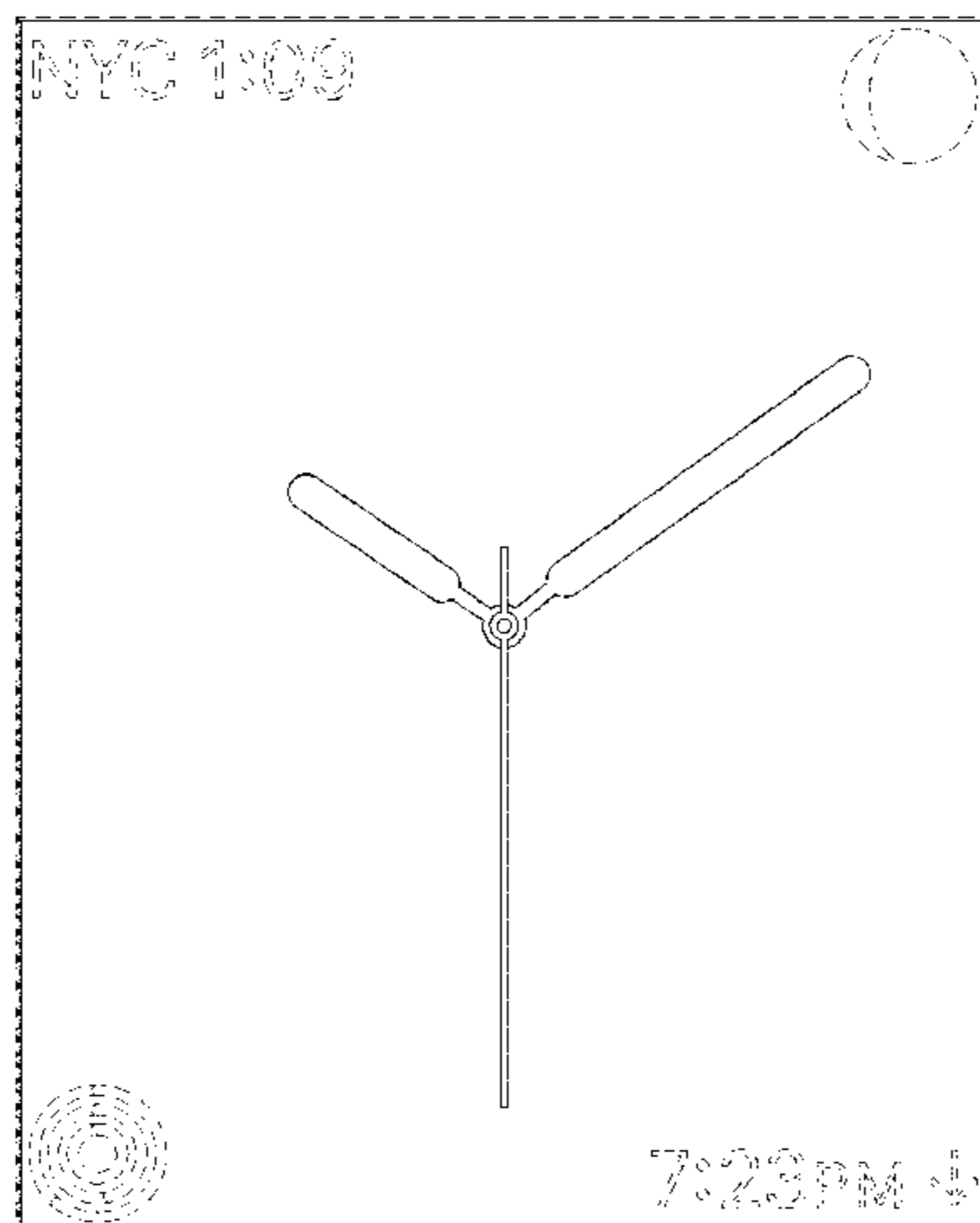
(63) Continuation of application No. 29/578,141, filed on Sep. 19, 2016, now Pat. No. Des. 807,905, which is a continuation of application No. 29/565,613, filed on May 23, 2016, now Pat. No. Des. 797,135, which is a continuation of application No. 29/501,182, filed on Sep. 2, 2014, now Pat. No. Des. 757,079.

(51) **LOC (12) Cl.** **14-04**

(52) **U.S. Cl.**
 USPC **D14/485**

(58) **Field of Classification Search**
 USPC D14/485-495; D20/11; D21/324, 325
 CPC G06F 1/163; G06F 3/048; G06F 3/0481;
 G06F 3/04817; G06F 3/0482; G06F
 3/0483; G06F 3/04842; G06F 3/0485;
 G06F 3/04855; G06F 3/0486; G06F
 3/0488; G06F 3/04886; G06F 9/4443;
 G06F 17/211; G06F 17/212; H04M
 1/72569; G04B 19/247; G04B 19/25326;
 G04G 9/0076

See application file for complete search history.



D756,394 S	5/2016	Kim et al.	
D756,395 S	5/2016	Kim et al.	
D757,079 S	5/2016	Chaudhri et al.	
D757,080 S	5/2016	Hou	
D757,084 S	5/2016	Chaudhri et al.	
D760,286 S	6/2016	Park	
D760,290 S	6/2016	Huang et al.	
D761,812 S	7/2016	Motamedi	
D763,865 S	8/2016	Zhu et al.	
D763,914 S	8/2016	Butcher et al.	
D765,098 S	8/2016	Chaudhri et al.	
D765,114 S	8/2016	Chaudhri et al.	
D765,681 S	9/2016	Nagel et al.	
D765,693 S	9/2016	Chaudhri et al.	
D766,950 S	9/2016	Dye et al.	
D770,475 S	11/2016	Choi et al.	
D770,513 S	11/2016	Choi et al.	
D772,264 S	11/2016	Jung et al.	
D774,538 S	12/2016	Dye et al.	
D780,771 S *	3/2017	Vulk	D14/485
D783,630 S	4/2017	Ahn et al.	
D784,389 S	4/2017	Kim et al.	
D786,304 S	5/2017	Cronin et al.	
D786,915 S	5/2017	Kim et al.	
D788,154 S	5/2017	Kim et al.	
D792,908 S	7/2017	Barajas et al.	
D793,438 S	8/2017	Hosaka	
D793,445 S	8/2017	Tsukahara	
D793,446 S	8/2017	Tsukahara	
D795,886 S	8/2017	Ng et al.	
D795,906 S	8/2017	Butrick	
D796,546 S	9/2017	Chen et al.	
D796,547 S	9/2017	Broughton et al.	
D797,135 S	9/2017	Chaudhri et al.	
D801,369 S	10/2017	Chaudhri et al.	
D801,389 S *	10/2017	Jung	D14/492
D802,021 S *	11/2017	Pirklbauer	D14/492
D803,879 S	11/2017	Broughton et al.	
D806,119 S	12/2017	Anzures et al.	
D809,543 S	2/2018	Broughton et al.	
D810,110 S	2/2018	Dye et al.	
D813,891 S *	3/2018	Chaudhri	D14/486
D813,892 S	3/2018	Chaudhri et al.	
D820,300 S *	6/2018	Broughton	D14/486
D822,698 S *	7/2018	Kim	D14/486
D840,414 S *	2/2019	Chen	D14/485
D857,042 S *	8/2019	Lim	D14/486
2007/0153636 A1	7/2007	Burkhardt et al.	
2010/0091615 A1 *	4/2010	Scott	G04G 9/0076 368/21
2010/0157742 A1	6/2010	Relyea et al.	
2012/0165075 A1	6/2012	Kim et al.	
2013/0271482 A1	10/2013	Fendley	
2014/0031724 A1	1/2014	Davis et al.	
2015/0085622 A1	3/2015	Carreel et al.	
2015/0146504 A1	5/2015	Derriey et al.	
2015/0363065 A1 *	12/2015	Kim	G06F 3/0482 715/739
2016/0034133 A1 *	2/2016	Wilson	G06F 3/0488 715/772
2016/0170575 A1 *	6/2016	Ye	G06F 3/04817 715/739
2016/0259488 A1 *	9/2016	Chan	G06F 1/163
2016/0269540 A1 *	9/2016	Butcher	H04M 1/72569
2016/0357420 A1 *	12/2016	Wilson	G06F 3/04847

FOREIGN PATENT DOCUMENTS

EM	000910807-0018	5/2008
EM	001098990-0009	5/2009
EM	001338297-0012	8/2012
EM	001396915-0013	1/2014
EM	002399535-0014	2/2014
JP	1093433 S	12/2000
JP	1307826 S	8/2007
RU	00090717	11/2014
WO	WO D070901-002	12/2008

OTHER PUBLICATIONS

Smith, Tony, "Smartwatch face off: Pebble, MetaWatch and new hi-tech timepieces" May 22, 2013, posted at theregister.co.uk, [site visited Feb. 20, 2019]. https://www.theregister.co.uk/Print/2013/05/22/roundup_smartwatches.*

World Watch Review. "Hermes Cape Cod Grandes Heures Automatic" <<http://www.worldwatchreview.com/2011/04/02/hermes-cape-cod-grandes-heures-automatic/>> dated Apr. 2, 2011, accessed Aug. 28, 2015.

Watch Time, "New York Exhibit Celebrates 40 Years of Audemars Piguet Royal Oak" <<http://www.watchtime.com/wristwatch-industry-news/new-york-exhibit-celebrates-40-years-of-audemars-piguet-royal-oak>> dated Apr. 10, 2012, accessed Aug. 28, 2015.

A Blog to Watch, "Vintage Omega Marine Chronometer Watch Hands-On" <<http://www.ablogtowatch.com/vintage-omega-marine-chronometer-watch-hands-on/>> dated Jan. 5, 2012, accessed Aug. 28, 2015.

Dezeen Magazine, "New 100 Series by Uniform Wares at Dezeen Watch Store" <<http://www.dezeen.com/2011/03/02/new-100-series-by-uniform-wares-at-dezeen-watch-store/>> dated Mar. 2, 2011, accessed Aug. 28, 2015.

Dysant, Lena, "Buyers Guide—6 Simple, Affordable Watches", posted at selectism.com, Jul. 20, 2012, © 2015 Titel Media [online], [site visited Dec. 9, 2015]. Available from Internet: <<http://www.selectism.com/2012/07/20/buyersguide-6-simple-affordable-watches>>.

Ma, Louis, "iWatchHome", posted at iwatchhome.net, Apr. 18, 2013, © 2011 Cite IWW [online], [site visited Dec. 7, 2015]. Available from Internet: <http://www.iwatchhome.net/Column_Dr_paper.php?article_id=C01300053>.

Swatch Group Japan KK, Be surprised Irony Lady, Swatch Irony Lady Swatch, Apr. 30, 2013. http://jp-shop.swatch.jp/fs/swatchec/GoodsAdditionalImagePopup.html?goods_id=1050, (JPO publicly known document No. HJ25006511).

Veerabadran, Chris, "World Clocks: Analog & Digital Clock Extension for Chrome Browser", posted at cgullworld.blogspot.com, Apr. 13, 2013, © 2015 Google [online], [site visited Dec. 7, 2015]. Available from Internet: <<http://cgullworld.blogspot.com/2013/04/world-clocks-analog-digital-clock.html>>.

Korean Trademark Registration No. 30-0540968, Sep. 25, 2009. JPO design division publicly known document No. HH21427745. Registered Trademark Serial No. 85970984, Apple Inc., filed Jun. 26, 2013.

"Smart Watches", posted at christopherwardforum.com, Jul. 5, 2015, © phpBB Group [online], [site visited Dec. 9, 2015]. Available from Internet: <<http://www.christopherwardforum.com/viewtopic.php?f=8&t=20011>>.

Citizen Clock, 2001, vol. 1, AA92-2161D, p. 125. JPO Document No. HC12014992.

"Goods Press", No. 3, p. 72, published on Mar. 10, 2007 and received by the National Center for Industrial Property Information and Training of the JPO on Feb. 13, 2007.

Apple Japan Co., Ltd., Apple—iPod nano—Music, FM radio, Genius, etc. all at will, Oct. 24, 2011. <<http://www.apple.com/jp/ipodnano/features.html>> (JPO publicly known document No. HJ23040214).

Sony Co., Ltd., Sony Mobile Communications News & Topics, Oct. 29, 2013 <http://www.sonymobile.co.jp/company/press/20131017_sw2_ipt-dslOm.html> (JPO publicly known document No. HJ25046859).

Portable information terminal, HKTDC Enterprise Company Annual No. 20. Received by the National Center for Industrial Property Information and Training of the JPO on Jan. 30, 2014, p. 443 (JPO publicly known document No. HB26000144).

Gessato Blog, "W Watch by Satoshi Wada for Issey Miyake" <<http://fblog.gessato.com/2013/04/17/w-watch-by-satoshi-wada-for-issey-miyake/>> dated Apr. 17, 2013, accessed Aug. 28, 2015.

Fratello Watches, "Ike Strikes Again—A. Manzoni & Fils Canopus Weekplanner" <<http://fwww.fratellowatches.com/ike-strikes-manzoni-fils-canopus-weekplanner/>> dated Sep. 2, 2013, accessed Aug. 28, 2015.

Registered Trademark Serial No. 85970994, Apple Inc., filed Jun. 26, 2013, priority date Apr. 3, 2013.

Registered Trademark Serial No. 86744634, Apple Inc., filed Sep. 1, 2015, priority date Mar. 2, 2015.

Registered Trademark Serial No. 85018957, Apple Inc., filed Apr. 21, 2010.

“Analog Clock Live Wallpaper—? APK”, posted at appsapk.com, Dec. 28, 2013, [site visited Aug. 11, 2017]. Available from Internet: <http://www.appsapk.com/analog-clock-live-wallpaper-7>.

“Who makes the best >\$150 field/military watch?”, posted at forums.watchuseek.com, Apr. 2, 2011, [site visited Aug. 11, 2017]. Available from Internet: <http://forums.watchuseek.com/171/who-makes-best-sub-%24150-field-military-watch-524024-2.html>.

“How to tell time”, posted at youtube.com, May 18, 2013, [site visited Aug. 11, 2017]. Available from Internet: <https://www.youtube.com/watch?v=zARh01-EXGQ>.

“Fake Apple Watch”, posted at facerepo.com, Mar. 3, 2015, [site visited Aug. 11, 2017]. Available from Internet: <https://1facerepo.com/app/faces/details/fake-apple-watch-14be001c59d>.

Design of Clock dial, German Design Publication, Jun. 25, 2002, p. 2338, (JPO publicly known document No. HH14033842).

“FS: Two Seiko 5 watches; one dress and one military/aviator **SOLD**,” posted at bladeforums.com, Dec. 29, 2004, [site visited Mar. 28, 2016]. Available from Internet: http://www.bladeforums.com/forums/showthread.php/326902-FS-Two-Seiko-5-watches-one-dress-and-one-military-aviator-**SOLD**.

All Vector Clocks Screenshots, posted at crossgl.com, Apr. 2, 2010, © 2005-2011 Micro Invention Ltd. [online], [site visited Dec. 15, 2015]. Available from Internet: http://www.crossgl.com/vcl_screenshots.htm.

GQ, “All Along the Watchtower: Timex Oversize Camper,” <http://www.gq.com/story/all-along-the-watchtower-timex-oversize-camper>, dated Apr. 5, 2010, accessed Aug. 28, 2015.

WCA (Analogue) Clock for iPhone, posted at palmtopman.wordpress.com, Nov. 8, 2010, © WordPress.com [online], [site visited Dec. 28, 2015]. Available from Internet: <https://palmtopman.wordpress.com/2010/11/08/wca-analogue-clock-for-iphone>.

Wayback Machine Internet Archive, “Braun BN0021BKBKG,” <http://web.archive.org/web/20110404030321/http://www.braun-clocks.com/watch/BN0021BKBKG> dated Apr. 4, 2011, accessed Aug. 28, 2015.

WatchTime, “Ressence ZeroSeries,” <http://www.watchtime.com/wristwatch-industry-news/watches/ressence-zero-series/> dated Jun. 10, 2011, accessed Aug. 28, 2015.

“IWC Schaffhausen Fliegeruhr Pilot Mark XV Ref-3253 Automatic Mens Watch,” posted at iwcmkxv.tumblr.com, Oct. 1, 2012, [site

visited Mar. 28, 2016]. Available from Internet: <http://iwcmkxv.tumblr.com/post/32631137816/iwc-mark-xv>.

World Clock HD Free for iPad 1.8, posted at downloadcollection.com, Oct. 11, 2012, © 1999-2015 Download Collection [online], [site visited Dec. 28, 2015]. Available from Internet: <http://www.downloadcollection.com/freeware/asus-world-clock-theme.htm>.

Wayback Machine Internet Archive, “Gallet MultiChron 45,” http://web.archive.org/web/20121128101013/http://www.galletworld.com/gallet_watch_multichron_45.html dated Nov. 28, 2012, accessed Aug. 28, 2015.

Wayback Machine Internet Archive, “Ressence Type 3,” <http://web.archive.org/web/20130406023121/http://ressence.eu/collection/type-3> dated Apr. 6, 2013, accessed Aug. 28, 2015.

Wayback Machine Internet Archive, “Blancpain” <http://web.archive.org/web/20140813060021/http://www.essential-watches.com/watch/Blancpain-2102-1130M-71-Ladys-Leman-Ultra-Silim-Steel-on-Bracelet-with-Biack-Dial/12520> dated Aug. 13, 2014, accessed Aug. 28, 2015.

* cited by examiner

Primary Examiner — Jack Reickel

Assistant Examiner — John M Otte

(74) *Attorney, Agent, or Firm* — Sterne, Kessler, Goldstein & Fox P.L.L.C.

(57)

CLAIM

The ornamental design for a display screen or portion thereof with graphical user interface, as shown and described.

DESCRIPTION

The FIGURE is a front view of a display screen or portion thereof with graphical user interface showing the claimed design.

The outermost broken lines in the FIGURE show a display screen or portion thereof, and form no part of the claimed design. The other broken lines in the FIGURE show portions of the graphical user interface that form no part of the claimed design.

1 Claim, 1 Drawing Sheet

