



US00D873273S

(12) **United States Design Patent** (10) **Patent No.:** **US D873,273 S**
Guacho et al. (45) **Date of Patent:** **** Jan. 21, 2020**

- (54) **USB DEVICE**
- (71) Applicant: **ADP GAUSELMANN GMBH**,
Espelkamp (DE)
- (72) Inventors: **Geovanna Cecilia Soberon Guacho**,
Coral Springs, FL (US); **Charles Hiten**,
Lighthouse, FL (US)
- (73) Assignee: **ADP GAUSELMANN GMBH**,
Espelkamp (DE)
- (**) Term: **15 Years**
- (21) Appl. No.: **29/619,678**
- (22) Filed: **Sep. 29, 2017**
- (51) **LOC (12) Cl.** **14-03**
- (52) **U.S. Cl.**
USPC **D14/480.5**
- (58) **Field of Classification Search**
USPC D14/480.1–480.7, 435.1, 411, 433, 436,
D14/484.1, 137, 155, 203.1–203.8, 240,
D14/242; D13/133, 154; D21/325, 329
CPC H05K 5/0278; G06K 19/07732
See application file for complete search history.

- (56) **References Cited**
- U.S. PATENT DOCUMENTS
- | | | | | |
|--------------|---------|--------|-------|-----------|
| D570,922 S * | 6/2008 | Reetz | | D21/325 |
| D602,939 S * | 10/2009 | Andre | | D14/480.1 |
| D617,331 S * | 6/2010 | Lo | | D14/480.7 |
| D619,177 S * | 7/2010 | Lee | | D21/325 |
| D619,659 S * | 7/2010 | Damani | | D21/325 |
| D624,553 S * | 9/2010 | Mamone | | D14/480.5 |
| D631,057 S * | 1/2011 | Kuo | | D14/480.7 |
| D660,859 S * | 5/2012 | Lin | | D14/480.7 |
| D663,310 S * | 7/2012 | Prince | | D14/480.5 |
| D677,266 S * | 3/2013 | Chen | | D14/480.5 |
| D692,903 S * | 11/2013 | Lin | | D14/480.7 |
| D706,787 S * | 6/2014 | Emami | | D14/480.7 |

- | | | | | |
|--------------|---------|------------|-------|-----------|
| D754,142 S * | 4/2016 | Shih-Huang | | D14/480.7 |
| D757,734 S * | 5/2016 | Emami | | D14/480.7 |
| D787,605 S * | 5/2017 | Bushnell | | D14/172 |
| D801,435 S * | 10/2017 | Themann | | D21/369 |
| D804,491 S * | 12/2017 | Lin | | D14/480.3 |
| D828,363 S * | 9/2018 | Turksu | | D14/480.5 |

OTHER PUBLICATIONS

Evo Star under wraps. Intergameonline.com, David Snook, Sep. 6, 2016 [Retrieved from <https://www.intergameonline.com/casino/news/evostar-under-wraps> on Jun. 15, 2018].

* cited by examiner

Primary Examiner — Angela J Lee
(74) *Attorney, Agent, or Firm* — Resolute Legal PLLC

(57) **CLAIM**

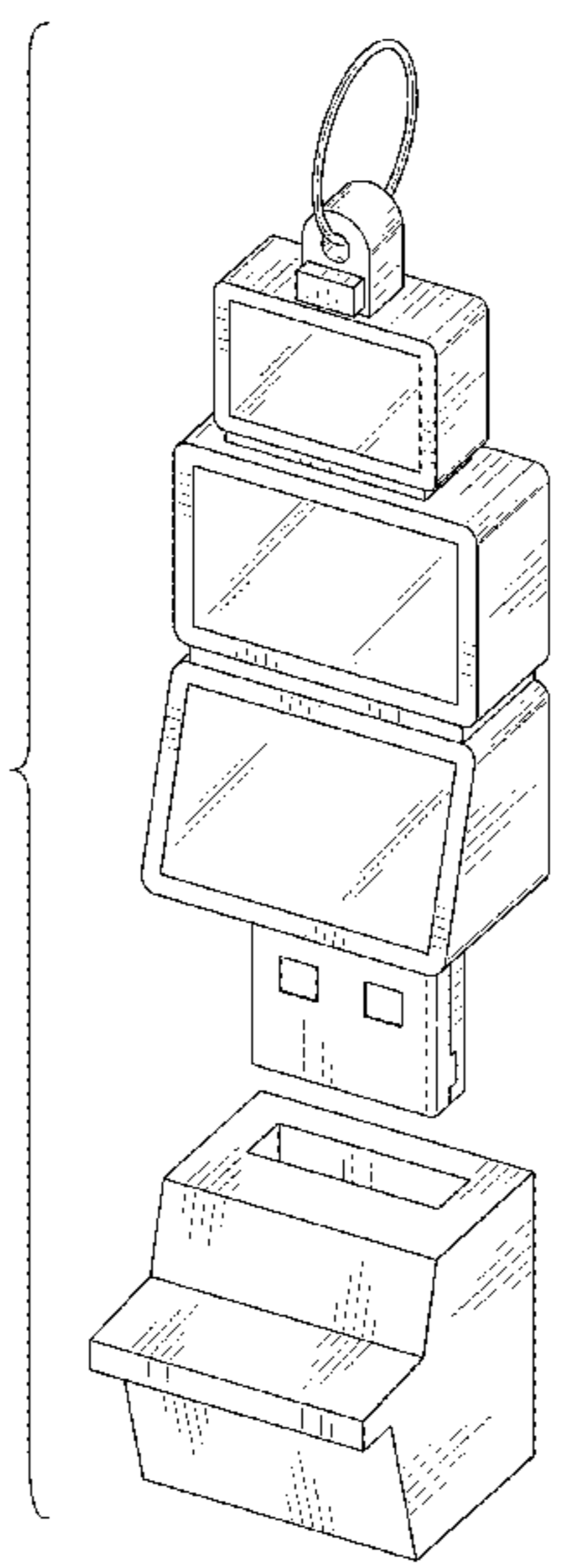
The ornamental design for a USB device, as shown and described.

DESCRIPTION

FIG. 1 is a perspective view of a USB device;
 FIG. 2 is a front side view thereof;
 FIG. 3 is a back side view thereof;
 FIG. 4 is a right side view thereof;
 FIG. 5 is a left side view thereof;
 FIG. 6 is a top view thereof;
 FIG. 7 is a bottom view thereof;
 FIG. 8 is a perspective view of the USB depicted in FIG. 1 with the cover removed;
 FIG. 9 is a cross section view of the USB device taken at the line 9-9 shown in FIG. 2; and,
 FIG. 10 is a bottom view of the USB device with the cover removed and a top view of the removed cover of the USB device.

The broken lines are used for environmental purposes only and form no part of the claimed design.

1 Claim, 7 Drawing Sheets



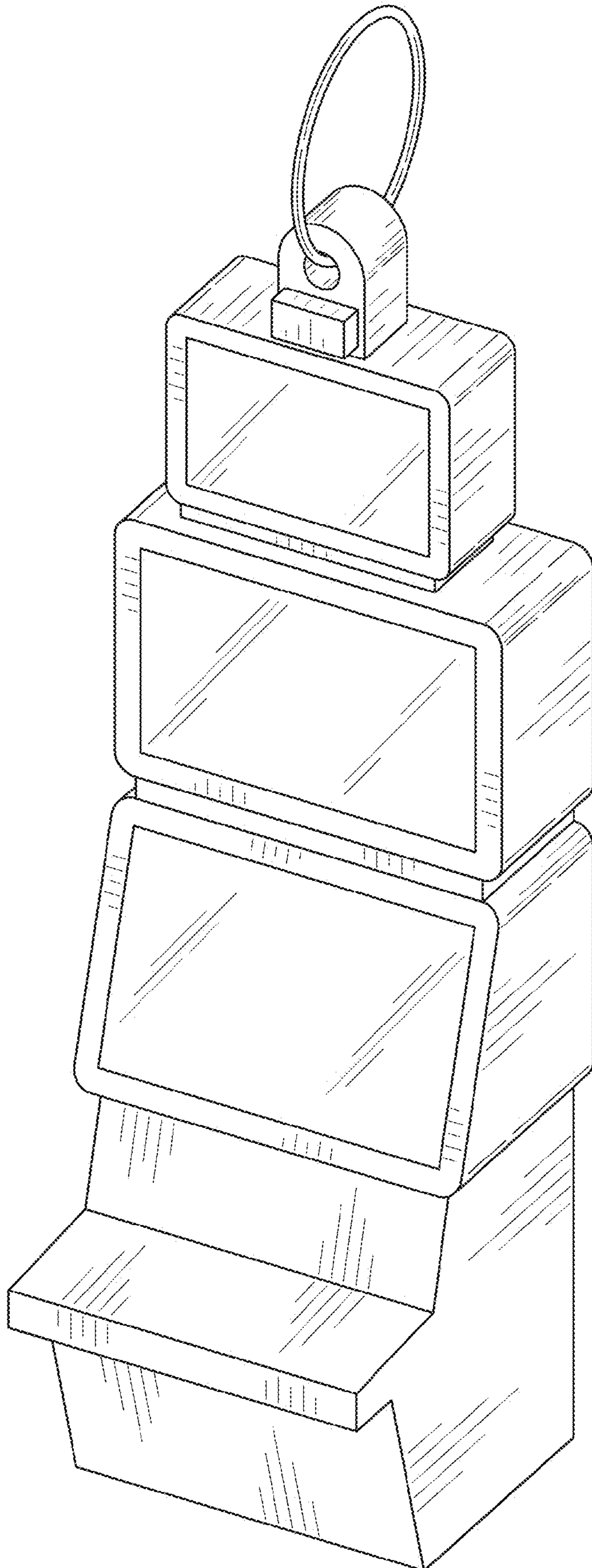


FIG. 1

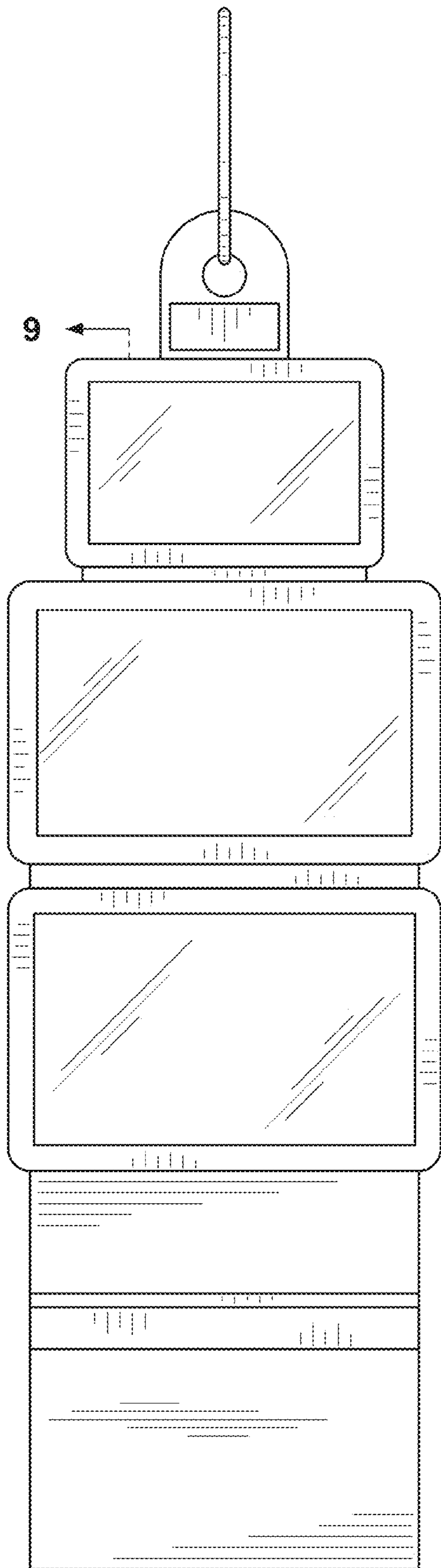


FIG. 2

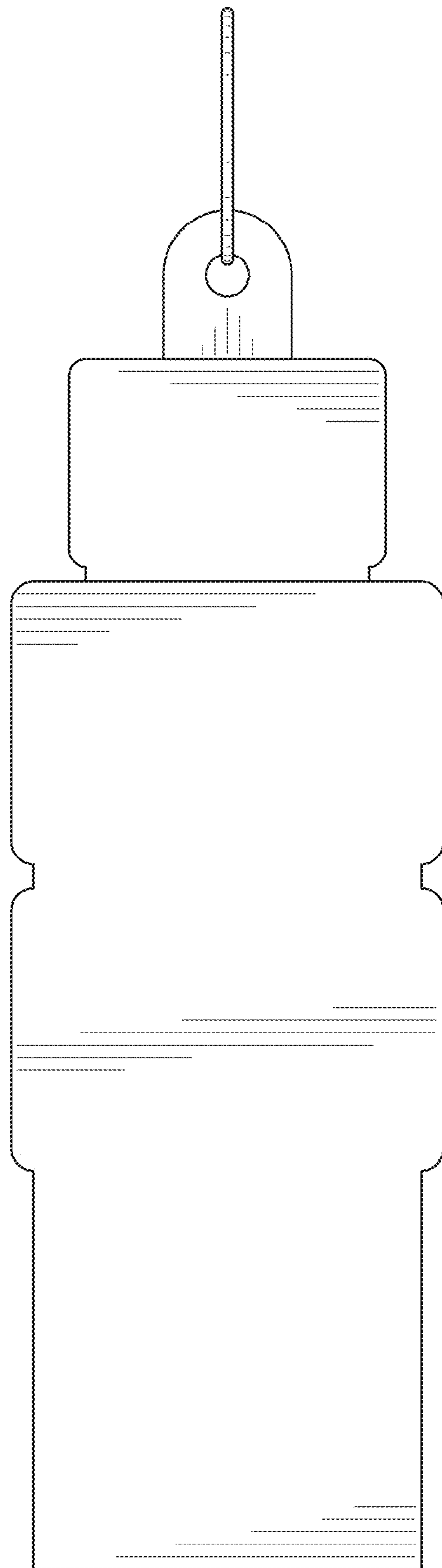


FIG. 3

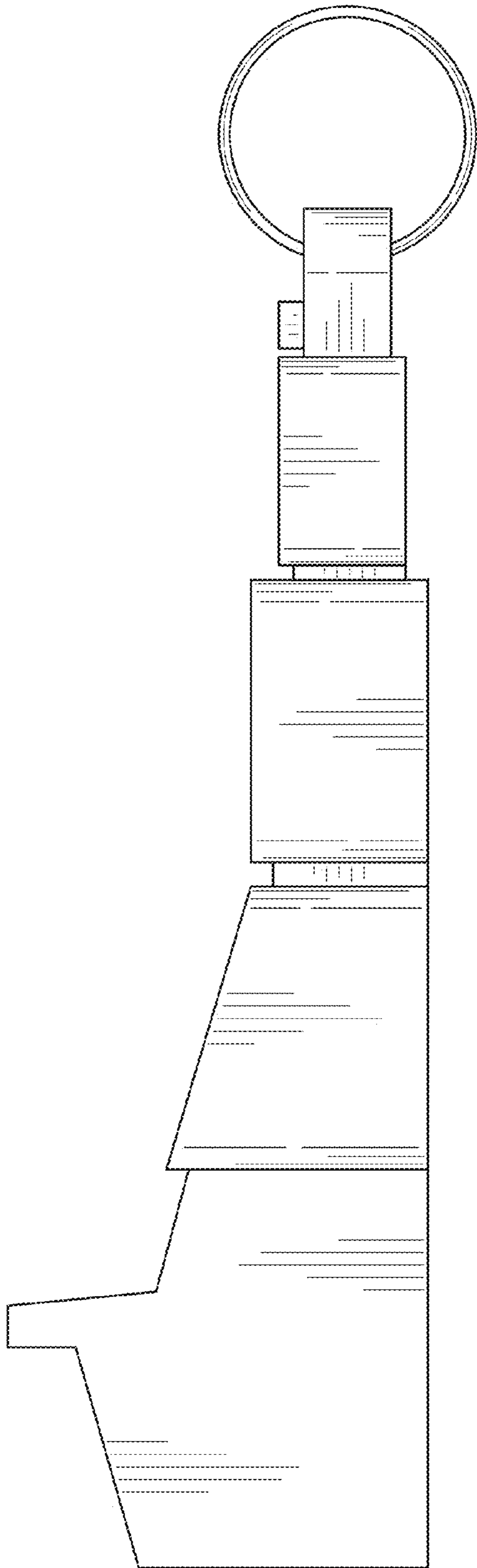


FIG. 4

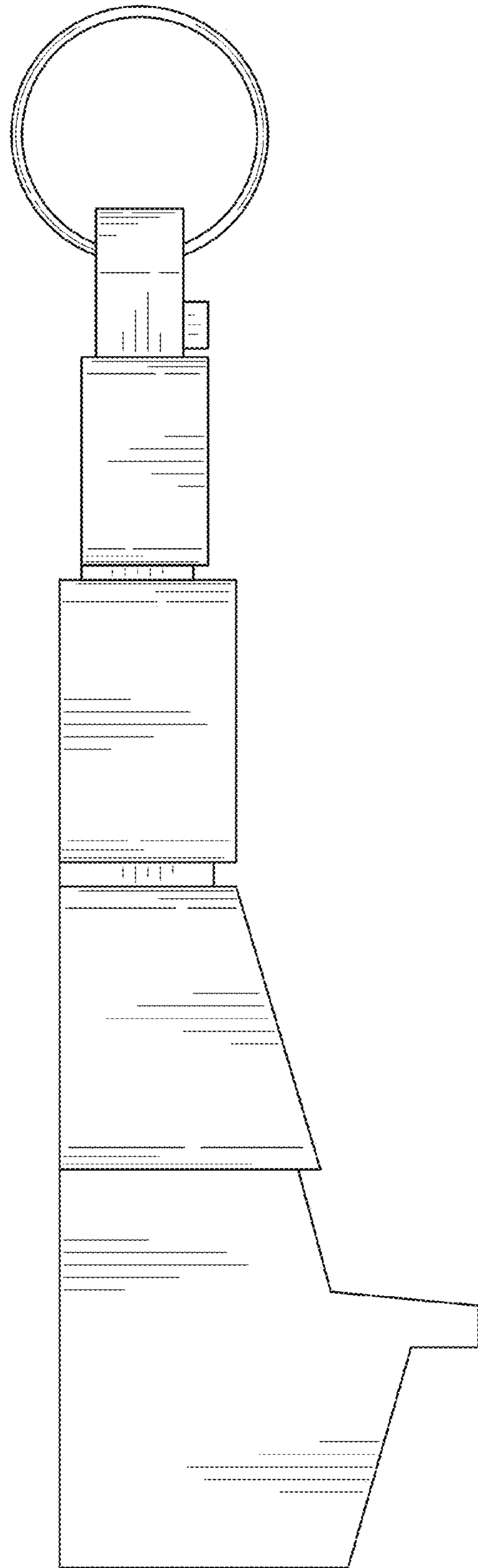


FIG. 5

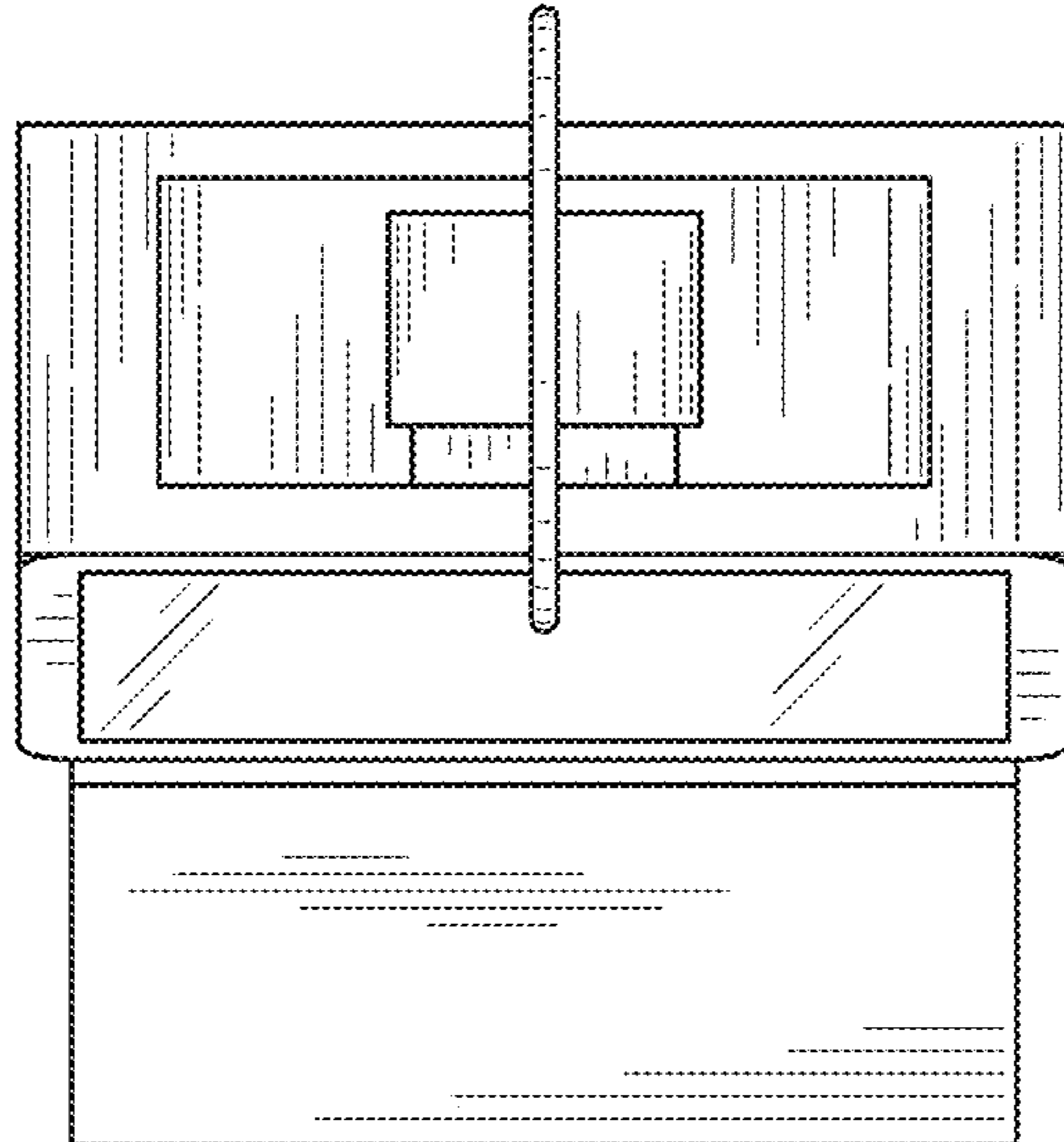


FIG. 6

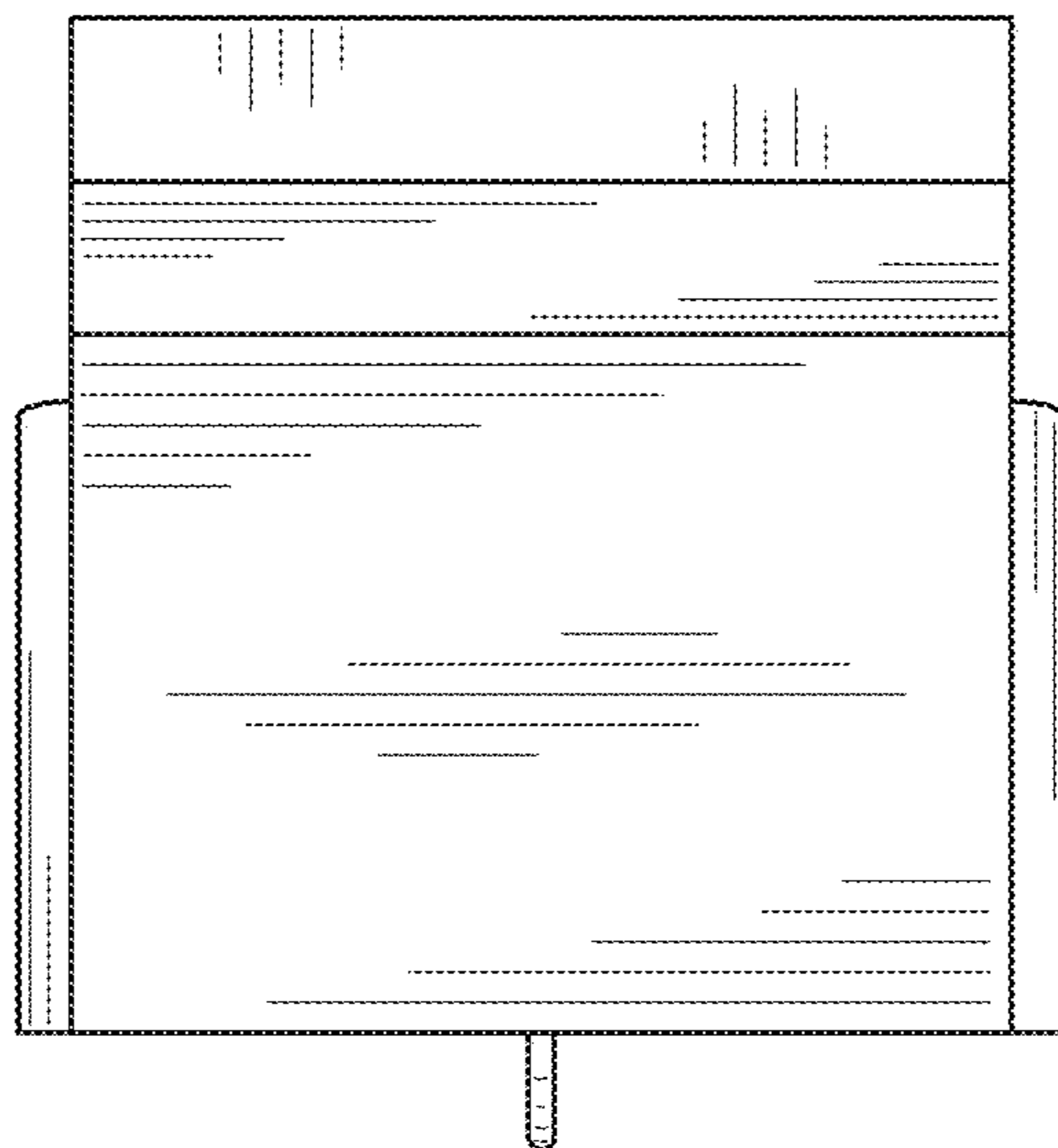


FIG. 7

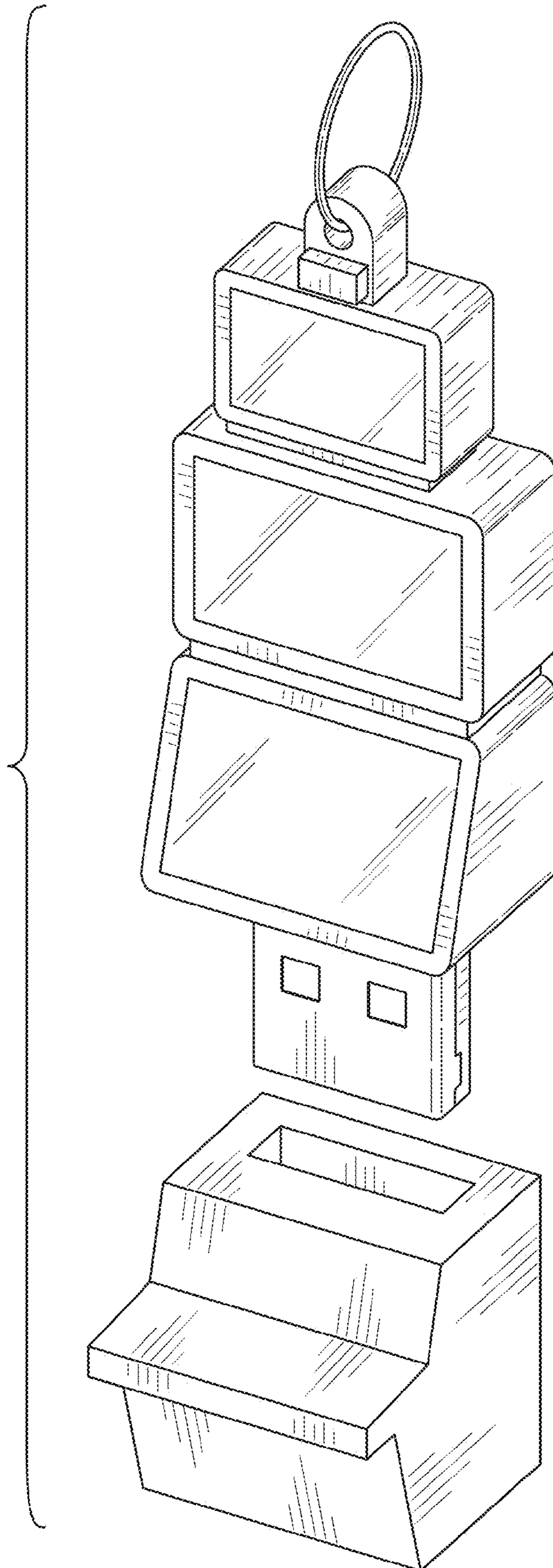


FIG. 8

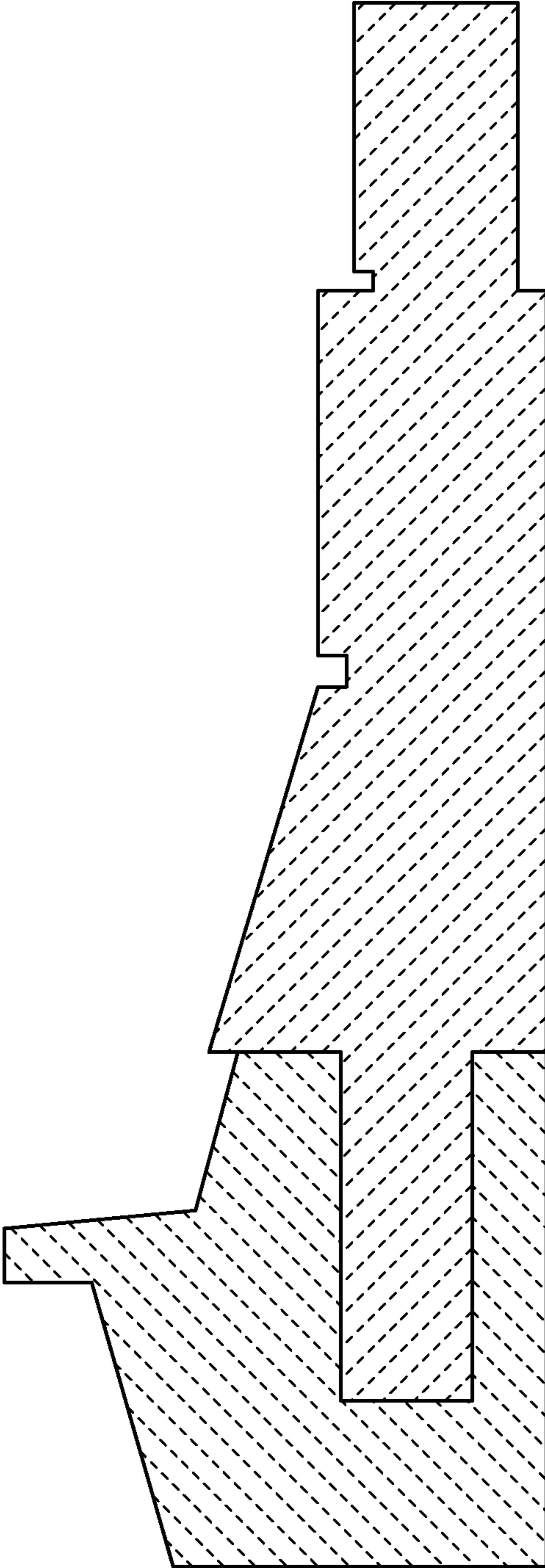


FIG. 9

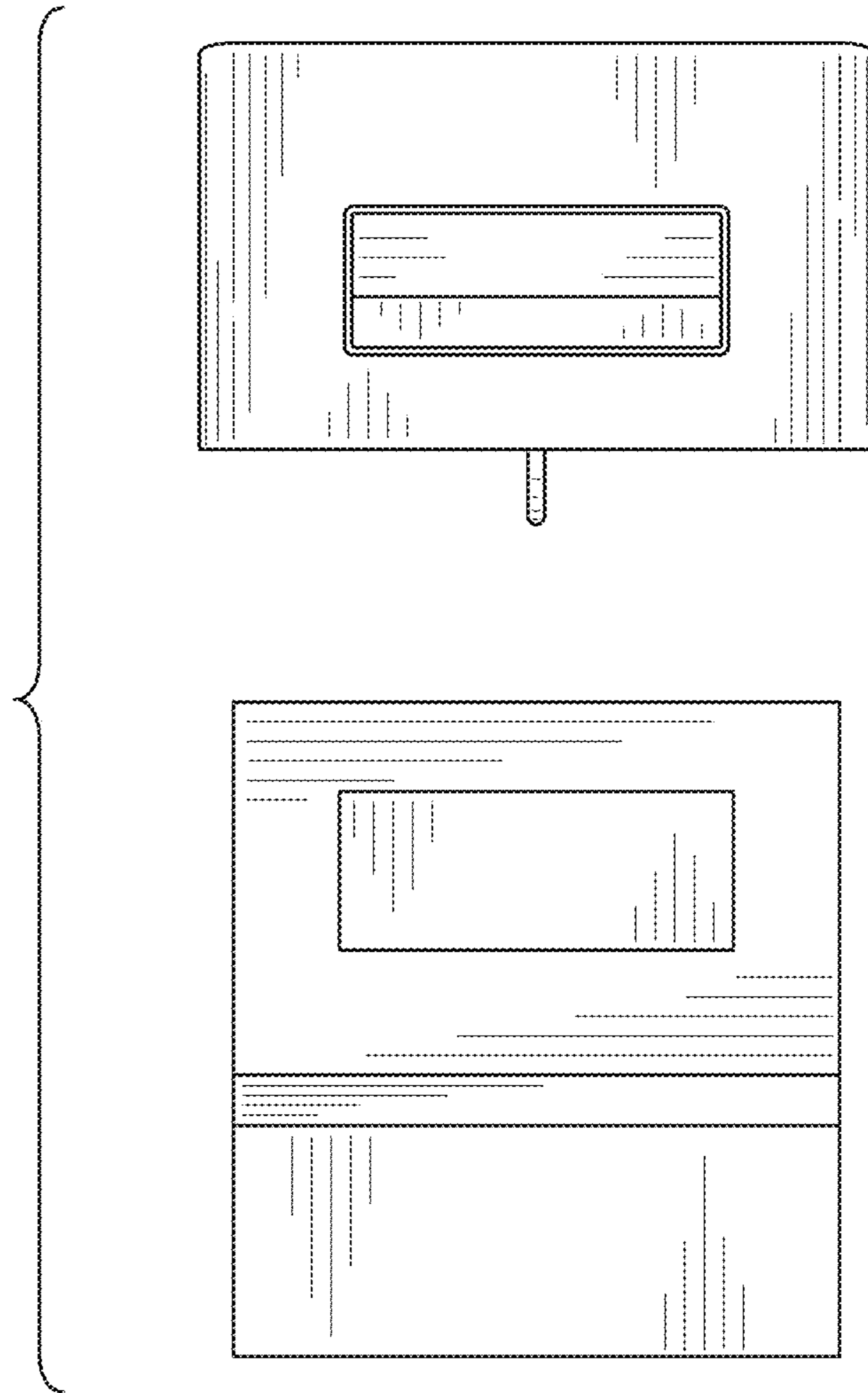


FIG. 10