



US00D873272S

(12) **United States Design Patent**  
**Dang et al.**

(10) **Patent No.:** **US D873,272 S**  
(45) **Date of Patent:** **\*\* Jan. 21, 2020**

(54) **MOUNT FOR ELECTRONIC DEVICE**

FOREIGN PATENT DOCUMENTS

(71) Applicant: **mophie inc.**, Tustin, CA (US)  
(72) Inventors: **Dat Minh Dang**, Westminster, CA (US); **Nguyen To**, Corona, CA (US)

JP 1379870 2/2010  
KR 10-2004-0093848 11/2004  
(Continued)

(73) Assignee: **mophie inc.**, Tustin, CA (US)

OTHER PUBLICATIONS

(\*\*) Term: **15 Years**

U.S. Appl. No. 29/438,896, filed Dec. 4, 2012, Denny Tsai  
(Continued)

(21) Appl. No.: **29/654,363**

*Primary Examiner* — Angela J Lee

(22) Filed: **Jun. 22, 2018**

(74) *Attorney, Agent, or Firm* — Knobbe, Martens, Olson & Bear, LLP

(51) **LOC (12) Cl.** ..... **08-07**

(52) **U.S. Cl.**  
USPC ..... **D14/447**

(57) **CLAIM**

(58) **Field of Classification Search**  
USPC ..... D14/447, 432, 434, 439, 440, 451, 452, D14/457, 239, 250, 253, 203.7, 336, 337; D8/363, 373, 380; D6/406.3, 406.4, D6/406.5, 406.6; D12/415; D21/330, D21/331; D3/218  
CPC ..... A47B 21/04; A47B 2097/006; A47B 2097/005; A47B 2023/049; A45C 2011/002; A45C 2011/003; F16M 2200/00; F16M 13/00

The ornamental design for a mount for electronic device, as shown and described.

See application file for complete search history.

**DESCRIPTION**

(56) **References Cited**

FIG. 1 is a top-rear perspective view of the design for a mount for electronic device;  
FIG. 2 is a top view thereof;  
FIG. 3 is a bottom view thereof;  
FIG. 4 is a right-side view thereof;  
FIG. 5 is a left-side view thereof;  
FIG. 6 is a rear view thereof;  
FIG. 7 is a cross-sectional view thereof;  
FIG. 8 is a front view thereof; and,  
FIG. 9 is a top-front perspective view thereof.

U.S. PATENT DOCUMENTS

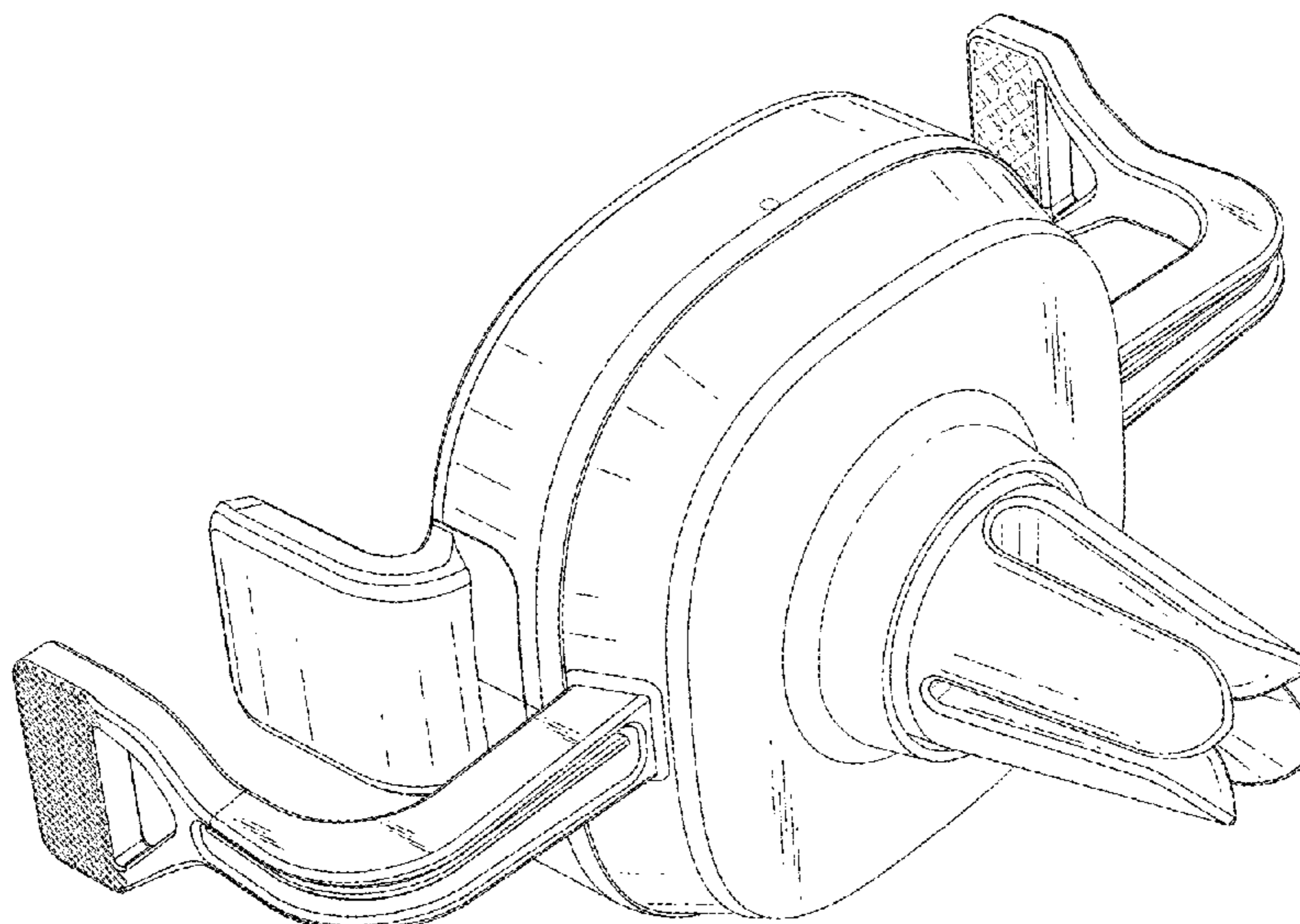
D277,662 S	2/1985	Huntington et al.
5,039,929 A	8/1991	Veistroffer et al.
D345,728 S	4/1994	Tyneski et al.
D350,540 S	9/1994	Hyvonen
D361,069 S	8/1995	Hellier et al.
D369,344 S	4/1996	Lindeman et al.
D379,463 S	5/1997	Richter
5,788,202 A	8/1998	Richter
D405,453 S	2/1999	Richter
D406,591 S	3/1999	Richter
D411,544 S	6/1999	Richter

The broken line portions in the drawings are shown to illustrate environment only and form no part of the claimed design.

The ornamental design for a mount for electronic device can be configured for use in a vehicle. For example, the mount can be configured to be coupled to a vent, such as on an automobile. The mount can hold a phone, smartphone, or other mobile electronic device.

(Continued)

**1 Claim, 7 Drawing Sheets**



(56)

References Cited

U.S. PATENT DOCUMENTS

D413,097 S 8/1999 Chang  
 5,946,637 A 8/1999 Umbach et al.  
 D413,607 S 9/1999 Lindahl  
 D442,939 S 5/2001 Goldenburg  
 D458,266 S 6/2002 Herath  
 D460,446 S 7/2002 Hughes et al.  
 D463,361 S 9/2002 Ruohonen  
 D501,205 S 1/2005 Quinn  
 D520,447 S 5/2006 Liu  
 D529,905 S 10/2006 Richter  
 D530,713 S 10/2006 Richter  
 D533,499 S 12/2006 Suzuki  
 D535,614 S 1/2007 Majanen et al.  
 7,158,092 B2 1/2007 Shen  
 D545,614 S 7/2007 Majanen et al.  
 D566,118 S 4/2008 Brassard  
 D566,590 S 4/2008 Stevens et al.  
 D585,897 S 2/2009 Carnevali  
 7,492,579 B2 2/2009 Homer et al.  
 D592,188 S 5/2009 Huang  
 7,532,466 B2 5/2009 Kobayashi et al.  
 7,542,052 B2 6/2009 Solomon et al.  
 D602,913 S 10/2009 Han et al.  
 D605,588 S 12/2009 Nomi et al.  
 D608,350 S 1/2010 Bo  
 D614,613 S 4/2010 Kim et al.  
 D620,931 S 8/2010 Opman  
 D623,132 S 9/2010 Yano  
 D623,638 S 9/2010 Richardson et al.  
 D623,639 S 9/2010 Richardson et al.  
 D625,729 S 10/2010 McNames et al.  
 D626,439 S 11/2010 Lee et al.  
 D626,541 S 11/2010 Kim et al.  
 D626,964 S 11/2010 Richardson et al.  
 D629,315 S 12/2010 McAlpine et al.  
 D629,355 S 12/2010 Bodley et al.  
 D634,304 S 3/2011 Andre et al.  
 D638,414 S 5/2011 Magness et al.  
 D639,286 S 6/2011 Mohoney  
 D639,816 S 6/2011 Bau  
 D640,707 S 6/2011 Yeh  
 D643,030 S 8/2011 Cheng et al.  
 D643,423 S 8/2011 Smith et al.  
 D643,433 S 8/2011 Hsieh et al.  
 D645,033 S 9/2011 Quong et al.  
 D646,315 S \* 10/2011 Orf ..... D14/263  
 D647,907 S 11/2011 Perry et al.  
 D648,339 S 11/2011 O'Neil et al.  
 D650,774 S \* 12/2011 Molter ..... D14/239  
 D656,930 S 4/2012 Son  
 D656,932 S \* 4/2012 Wikel ..... D12/415  
 D657,741 S 4/2012 Fahrenhorff et al.  
 D660,794 S 5/2012 Fahrenhorff et al.  
 D662,470 S 6/2012 Smith et al.  
 8,240,628 B2 8/2012 Huang  
 8,295,652 B1 10/2012 Newstead  
 D670,703 S 11/2012 Hasbrook et al.  
 D671,950 S \* 12/2012 Richter ..... D14/447  
 D674,397 S \* 1/2013 Asher ..... D14/447  
 8,369,082 B2 2/2013 Madonna et al.  
 D682,780 S 5/2013 Brown  
 D684,980 S \* 6/2013 Chun ..... D14/447  
 D685,321 S 7/2013 Smith et al.  
 D685,380 S 7/2013 Richter  
 D690,707 S 10/2013 Minn et al.  
 D696,241 S 12/2013 Paugh et al.  
 8,616,327 B1 12/2013 Palacios  
 D697,515 S \* 1/2014 Adelman ..... D14/447  
 D705,211 S 5/2014 Huang  
 8,724,837 B2 5/2014 Crooijmans et al.  
 D707,673 S 6/2014 Lan  
 D717,307 S \* 11/2014 Chun ..... D14/447  
 D721,649 S 1/2015 Tsai  
 D722,056 S 2/2015 Nguyen et al.

D726,175 S 4/2015 Tsai et al.  
 9,004,434 B2 4/2015 Kang et al.  
 D752,571 S 3/2016 Richter  
 9,274,556 B2 3/2016 Gallouzi et al.  
 D767,556 S \* 9/2016 Lee ..... D12/415  
 D772,218 S 11/2016 Alesi et al.  
 D778,714 S \* 2/2017 McSweyn ..... D12/415  
 D784,923 S 4/2017 Song  
 D796,421 S \* 9/2017 Huang ..... D12/415  
 D804,487 S \* 12/2017 Theis ..... D14/447  
 D832,248 S 10/2018 Sukphist et al.  
 D834,583 S \* 11/2018 Janzen ..... D14/447  
 2006/0221565 A1 10/2006 Doherty et al.  
 2008/0157716 A1 7/2008 Jo  
 2009/0160399 A1 6/2009 Woud  
 2009/0160400 A1 6/2009 Woud  
 2010/0062615 A1 3/2010 Prest  
 2010/0078343 A1 4/2010 Hoellwarth et al.  
 2011/0069445 A1 3/2011 Haren et al.  
 2012/0194132 A1 8/2012 Ikegame  
 2013/0050933 A1 2/2013 Prest  
 2013/0058036 A1 3/2013 Holzer et al.  
 2013/0217448 A1 8/2013 Kim et al.  
 2013/0241470 A1 9/2013 Kim  
 2015/0098184 A1 4/2015 Tsai et al.

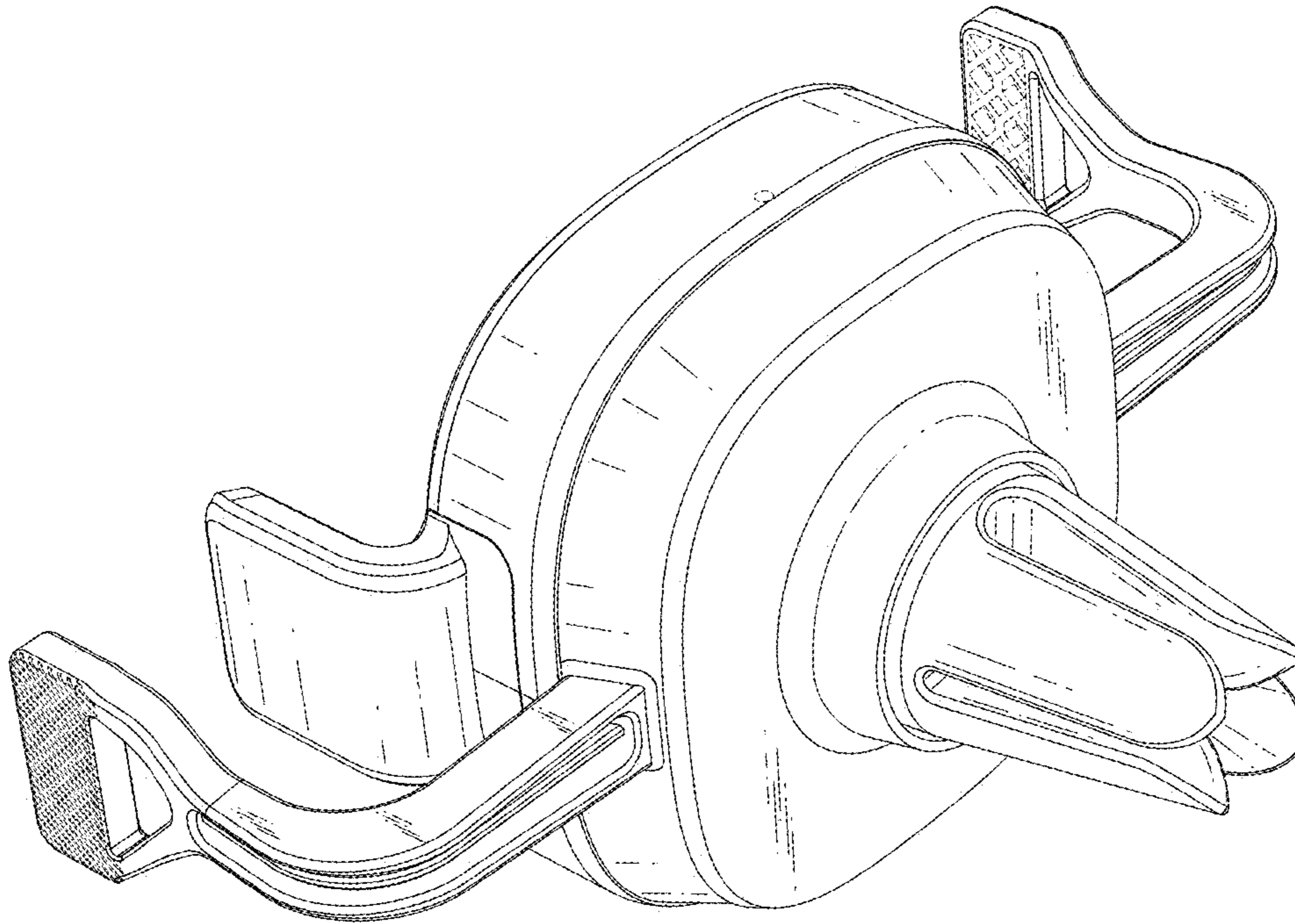
FOREIGN PATENT DOCUMENTS

KR 30-0629517 1/2012  
 TW D132908 1/2010  
 WO DM061043 8/2002  
 WO WO 2011/139051 11/2011  
 WO WO 2015/054242 4/2015

OTHER PUBLICATIONS

U.S. Appl. No. 29/438,221, filed Nov. 27, 2012, Denny Tsai  
 U.S. Appl. No. 29/632,207, filed Jan. 5, 2018, Dang et al.  
 U.S. Appl. No. 29/654,350, filed Jun. 22, 2018, N/A.  
 International Search Report and Written Opinion of the International Searching Authority for PCT/US2012/020370, dated May 29, 2012.  
 International Search Report and Written Opinion of the International Searching Authority for PCT/US2014/059483, dated Jan. 15, 2015.  
 International Preliminary Report on Patentability for PCT/US2014/059483, dated Apr. 12, 2016.  
 International Preliminary Report on Patentability for PCT/US2012/020370, dated Jul. 10, 2013.  
 Nick Guy, "RND Power Solutions Sync & Charge Dock with Lightning Connector", dated Nov. 18, 2013, <http://www.ilounge.com/index.php/reviews/entry/tylt-energi-sl>.  
 Nick Guy, "RND Power Solutions Sync & Charge Dock with Lightning Connector", dated Nov. 25, 2013, <http://www.ilounge.com/index.php/reviews/entry/rnd-power-solutions-sync-charge-dock-with-lightning-connector/>.  
 Julie Strietelmeier, "Seidio INNODock Desktop Cradle for Treo 650," dated Jul. 28, 2005, [http://the-gadgeteer.com/2005/07/28/seidio\\_innodock\\_desktop\\_cradle\\_for\\_treo\\_650/](http://the-gadgeteer.com/2005/07/28/seidio_innodock_desktop_cradle_for_treo_650/).  
 Altec Lansing Octiv Stage MP450 Review, dated Dec. 8, 2010, <http://www.cnet.com/products/altec-lansing-octiv-stage-mp450/>.  
 Mophie Unveils All-Aluminum PowerStand for iPad, dated Jan. 4, 2011, <http://www.intomobile.com/2011/01/04/mophie-powerstand-swivels-charges-ipad/>.  
 Mophie PowerStand for iPad (Video), dated Jan. 4, 2011, <http://www.gottabemobile.com/2011/01/04/mophie-powerstand-for-ipad-video/>.  
 U.S. Appl. No. 16/274,967, filed Feb. 13, 2019, Dang et al.  
 Nick Guy, "The Best Wireless Car Phone Charger Mounts", The Wirecutter, updated Jan. 22, 2019, <https://thewirecutter.com/reviews/best-qi-wireless-car-phone-charger-mounts/>.

\* cited by examiner



*FIG. 1*

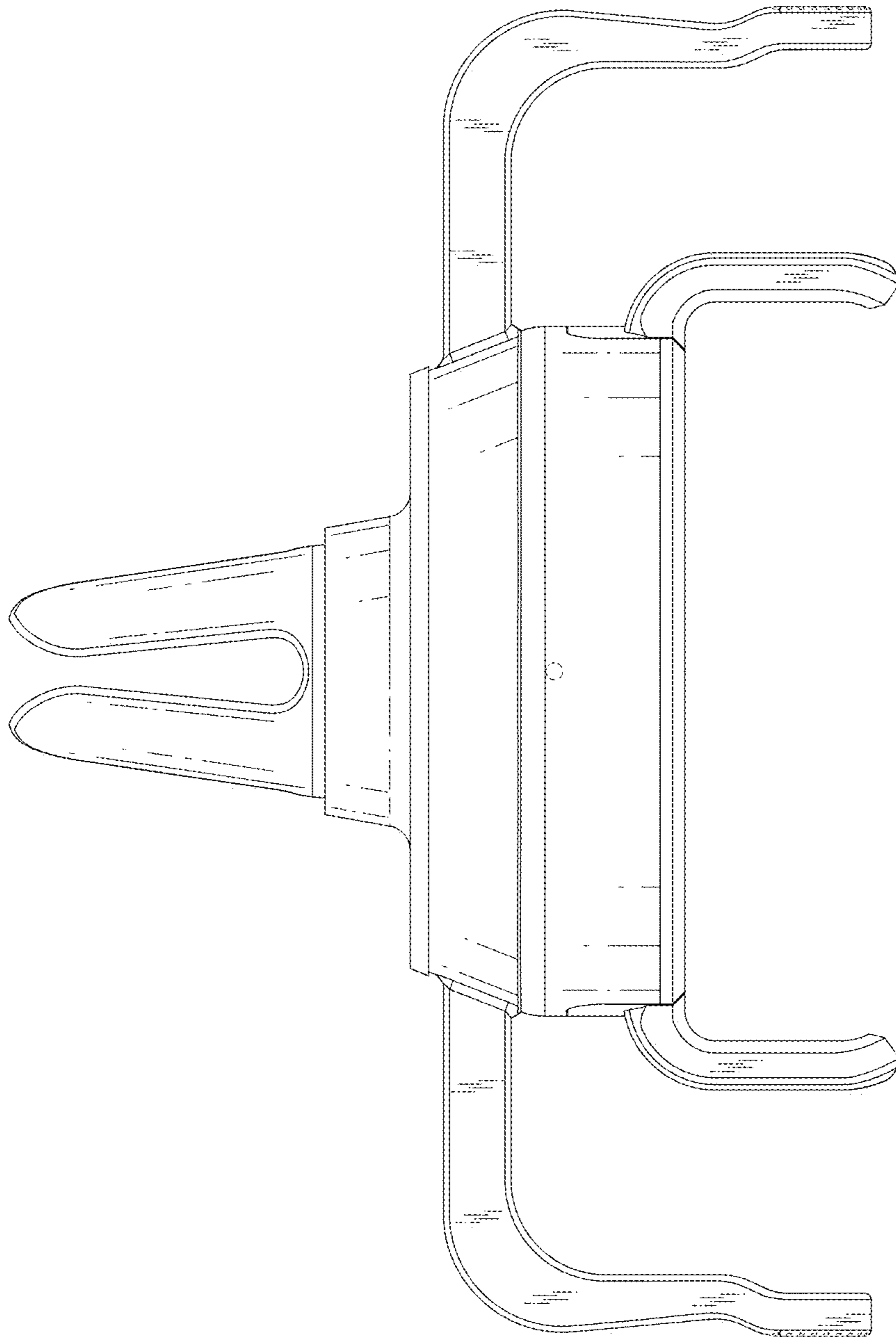
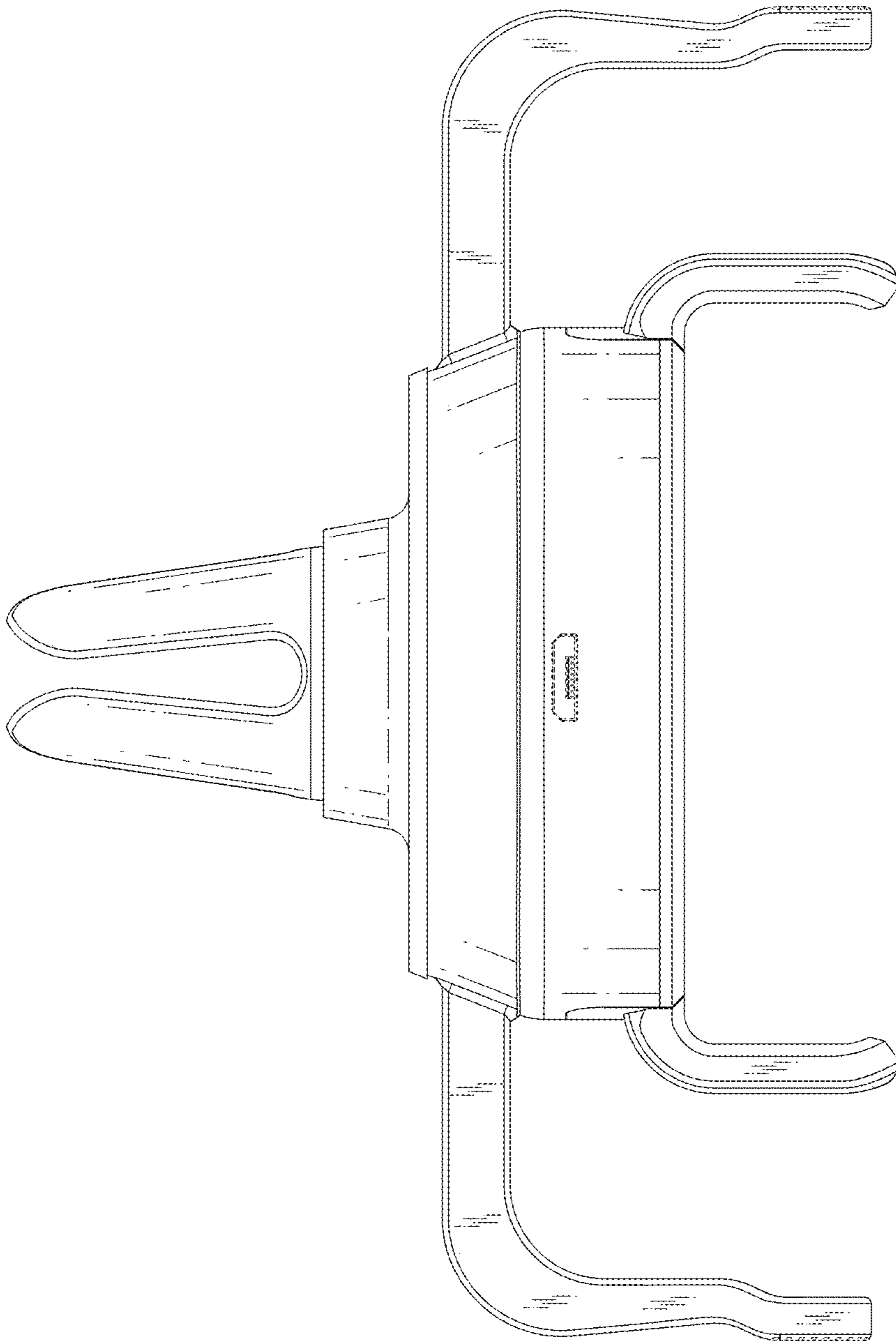
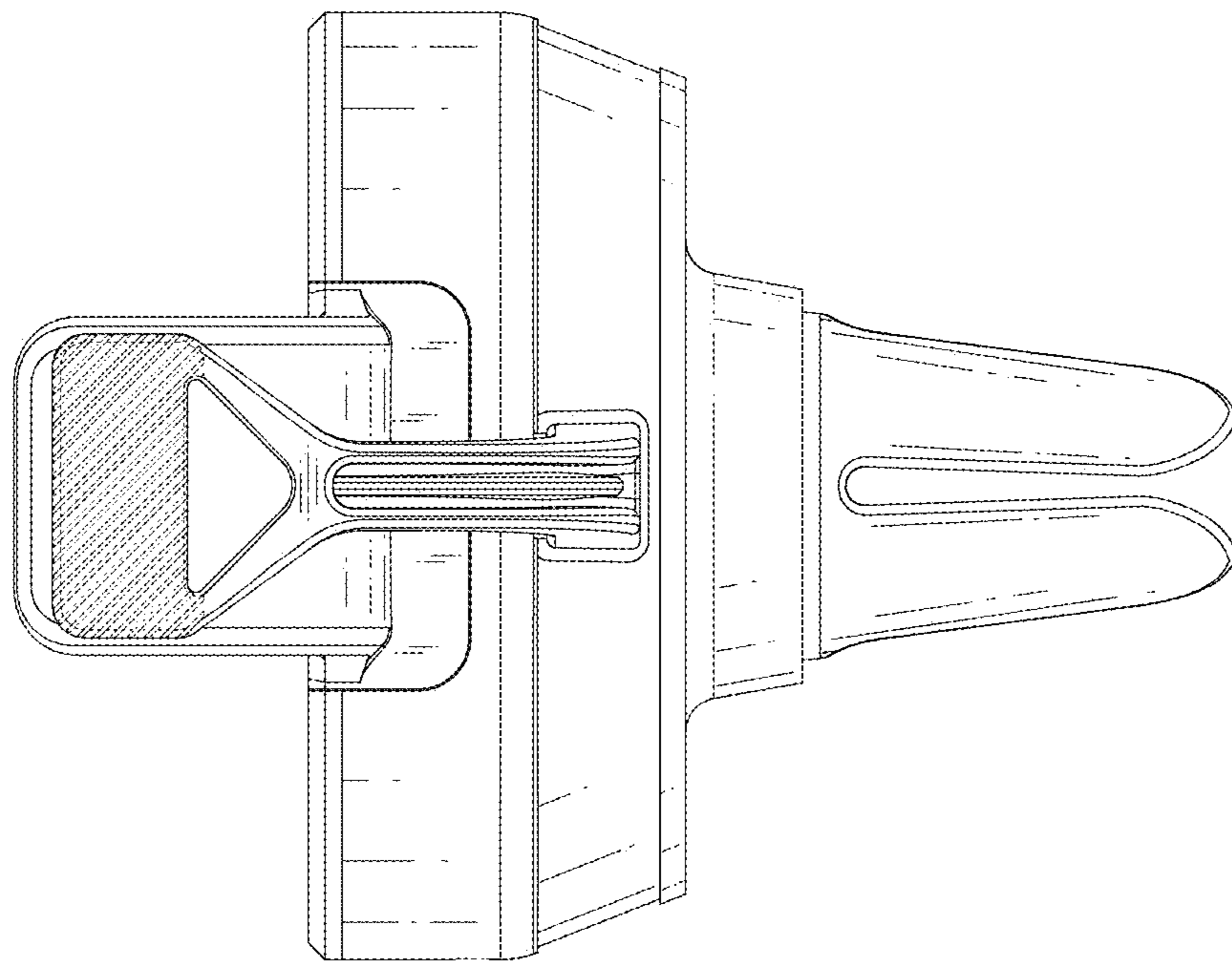


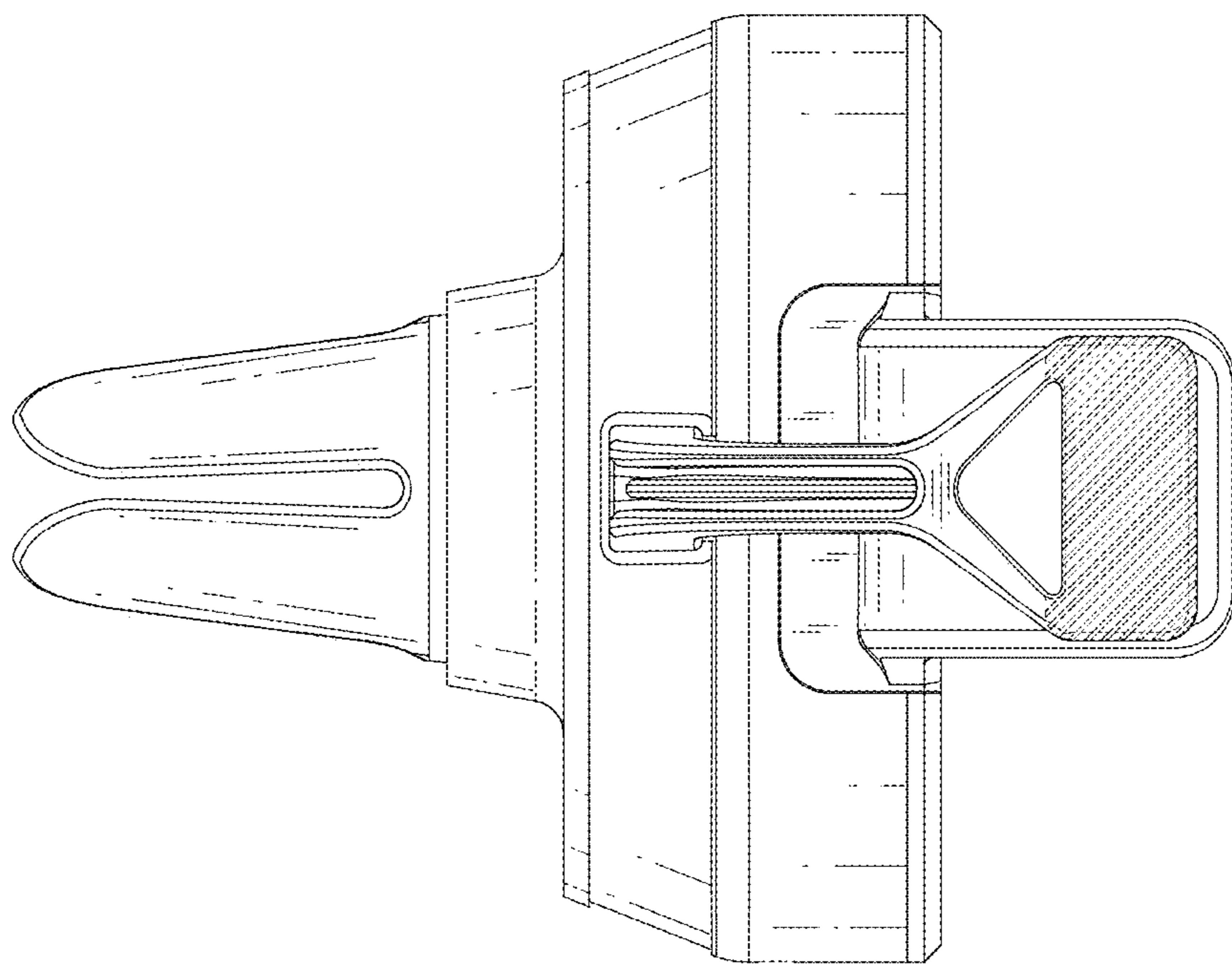
FIG. 2



*FIG. 3*



*FIG. 4*



*FIG. 5*

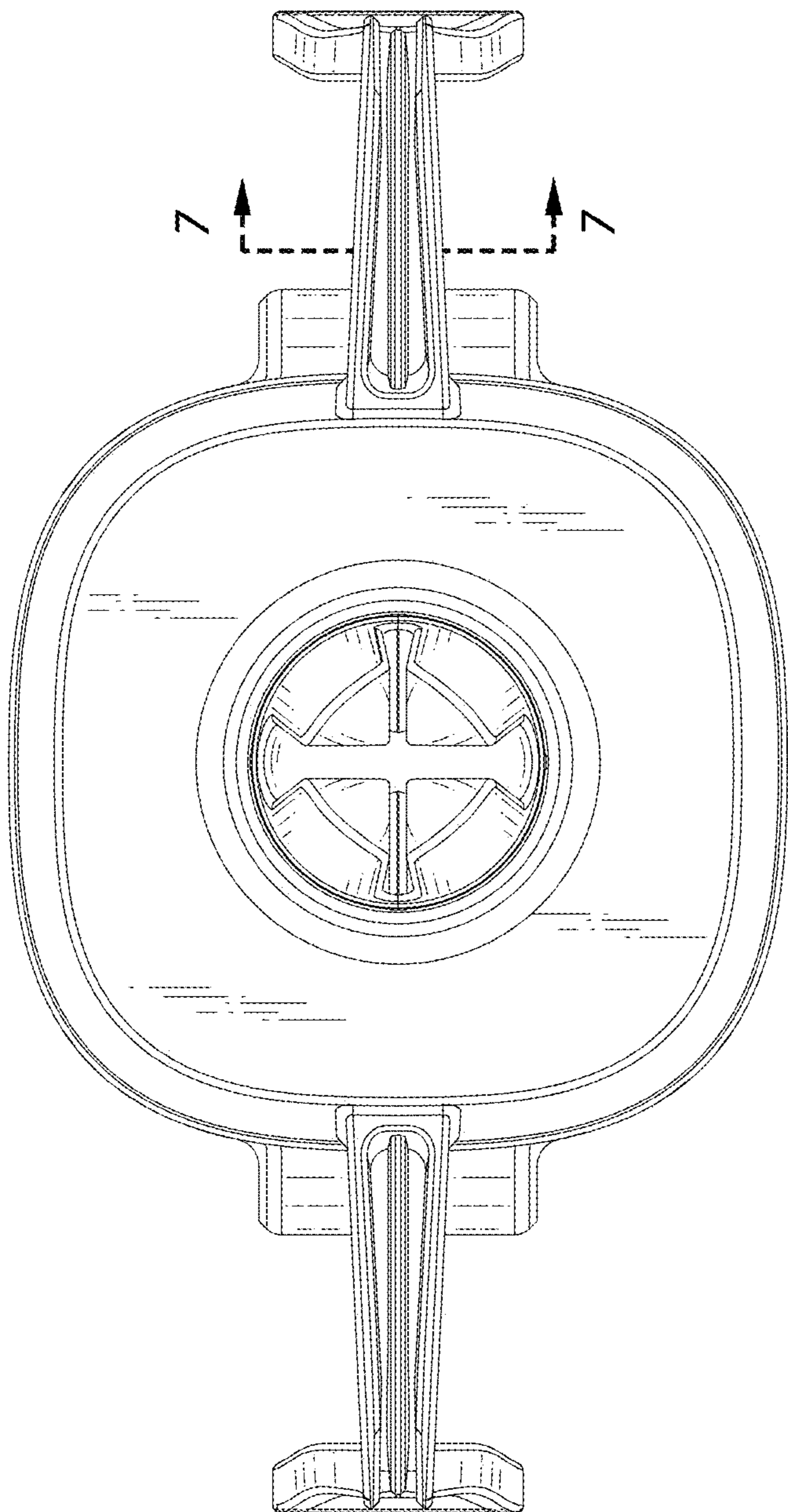


FIG. 6

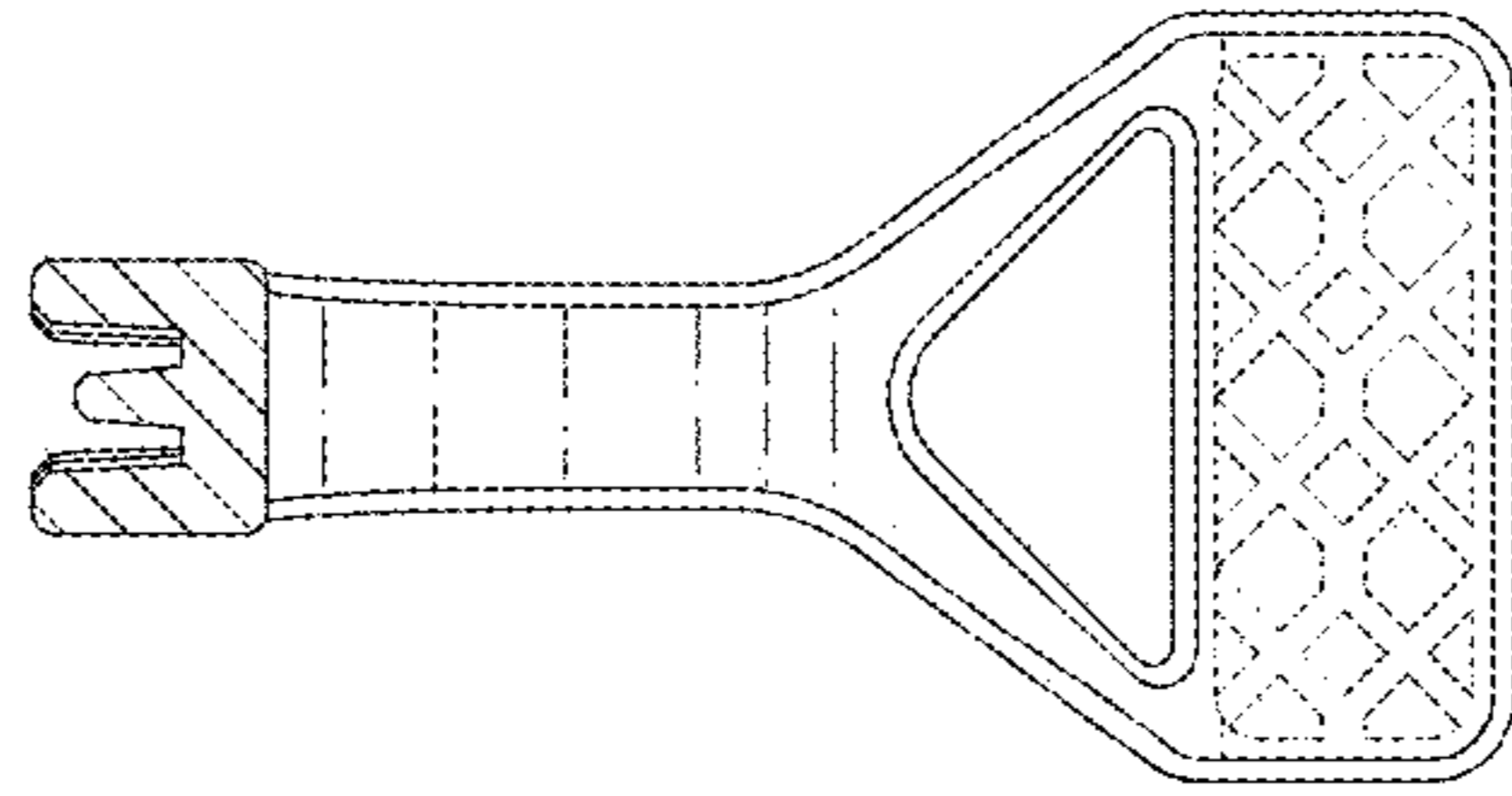
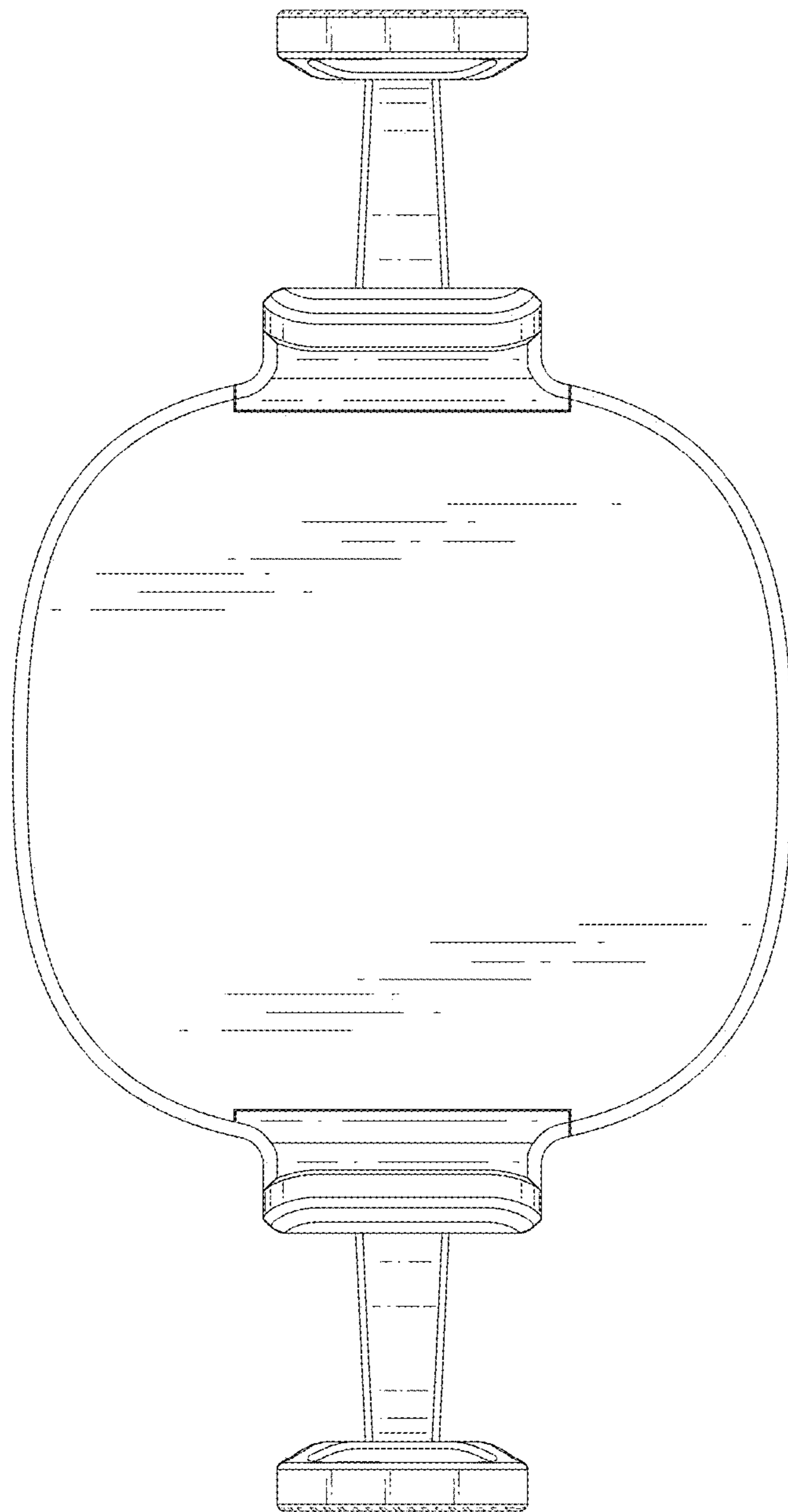


FIG. 7



*FIG. 8*



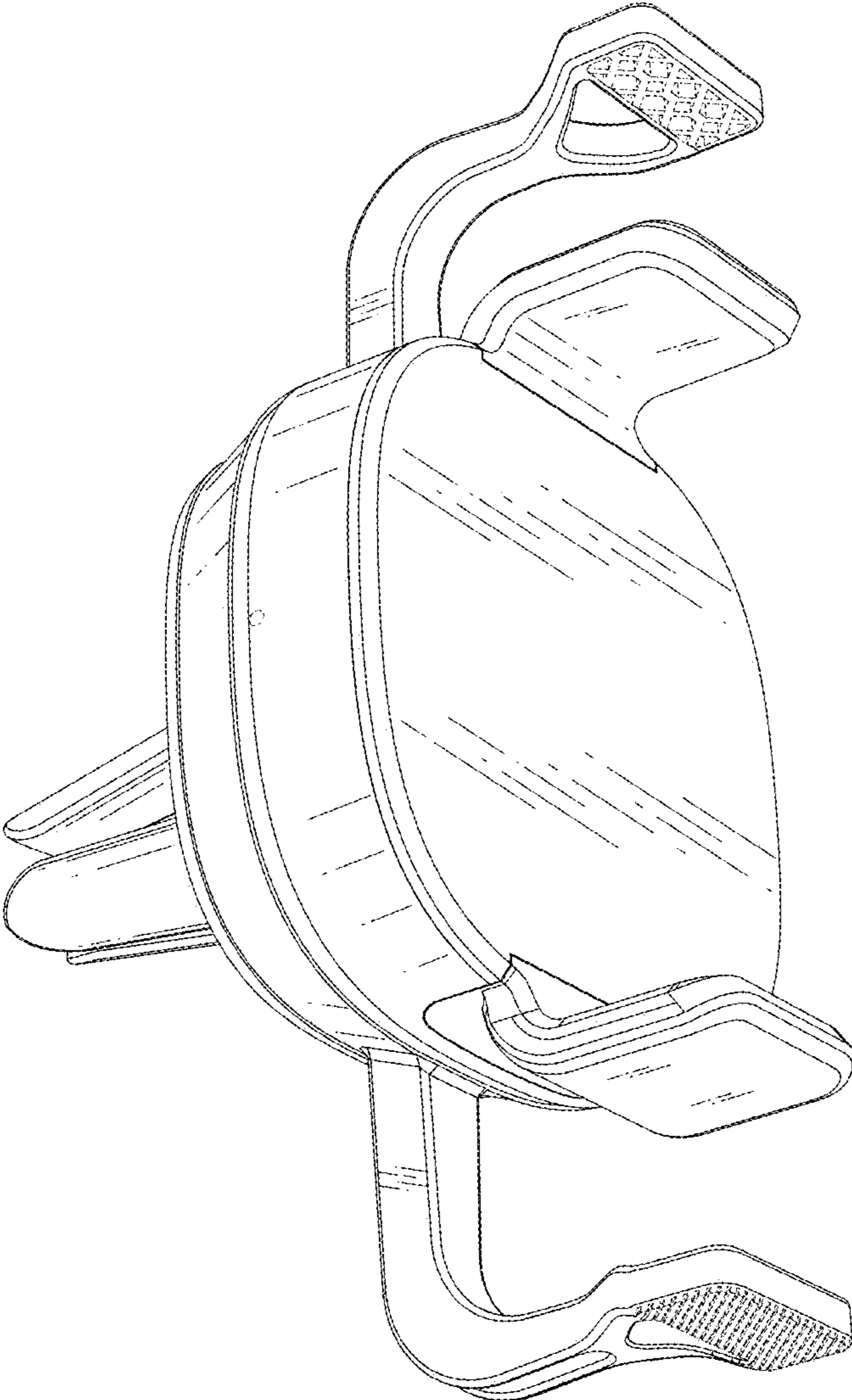


FIG. 9