

US00D873270S

(12) **United States Design Patent** (10) **Patent No.:** **US D873,270 S**  
**Rüegg et al.** (45) **Date of Patent:** **\*\* Jan. 21, 2020**

(54) **PRESENTER DEVICE**  
(71) Applicant: **Logitech Europe S.A.**, Lausanne (CH)  
(72) Inventors: **Martin Casper Rüegg**, MuttENZ (CH);  
**Marten Helwig**, Bern-Hinterkappelen (CH); **Libao Wu**, Fremont, CA (US);  
**Olivier Gregoire**, San Francisco, CA (US); **Jasper Phua**, Lausanne (CH);  
**Padraig Mcloughlin**, Co. Monogham (IE); **Fleming Chao**, Hsinchu (TW)  
(73) Assignee: **Logitech Europe S.A.**, Lausanne (CH)  
(\*\*) Term: **15 Years**  
(21) Appl. No.: **29/669,363**  
(22) Filed: **Nov. 7, 2018**

**Related U.S. Application Data**

(60) Continuation of application No. 29/655,469, filed on Jul. 3, 2018, which is a division of application No. 29/588,884, filed on Dec. 23, 2016, now Pat. No. Des. 826,937, which is a continuation of application No. 15/389,215, filed on Dec. 16, 2016.  
(51) **LOC (12) Cl.** ..... **14-02**  
(52) **U.S. Cl.**  
USPC ..... **D14/388**; D14/218  
(58) **Field of Classification Search**  
USPC ..... D14/388, 218, 454, 299, 496, 400, 401, D14/432, 455, 456, 511, 217, 238.1, 399; D21/333; D13/168, 171, 173, 174  
CPC ..... A63F 13/24; A63F 13/213; A63F 13/214; A63F 13/00; A63F 13/212; A63F 13/20; G06F 3/014; G06F 3/017; G06F 3/02; G06F 3/0308; G06F 3/0338; G06F 3/038; G06F 3/14  
See application file for complete search history.

(56) **References Cited**  
U.S. PATENT DOCUMENTS  
D394,264 S \* 5/1998 Sakamoto ..... D14/218  
D418,141 S \* 12/1999 Godette ..... D14/218  
D433,404 S \* 11/2000 Thakur ..... D14/218  
D477,590 S \* 7/2003 Ahn ..... D14/218  
D491,922 S \* 6/2004 Poulet ..... D14/218  
D529,512 S \* 10/2006 Reawsanguanwong .. D14/203.3  
D530,340 S \* 10/2006 Andre ..... D14/203.3  
D531,190 S \* 10/2006 Lee ..... D14/203.3  
D531,586 S \* 11/2006 Poulet ..... D13/168  
D531,587 S \* 11/2006 Poulet ..... D13/168  
D534,921 S \* 1/2007 Andre ..... D14/203.3  
D535,308 S \* 1/2007 Andre ..... D14/203.3  
(Continued)

**OTHER PUBLICATIONS**

Presenters and input Devices. (Design—© Questel) orbit.com. [online PDF] 22 pgs. Print Dates range from Jul. 18, 2012 to Jan. 18, 2018. [Retrieved on Mar. 20, 2018] <https://sobjprd.questel.fr/export/QPTUJ214/pdf2/8eea81e8-3803-4960-b481-a745130f29bb-161633.pdf>.\*

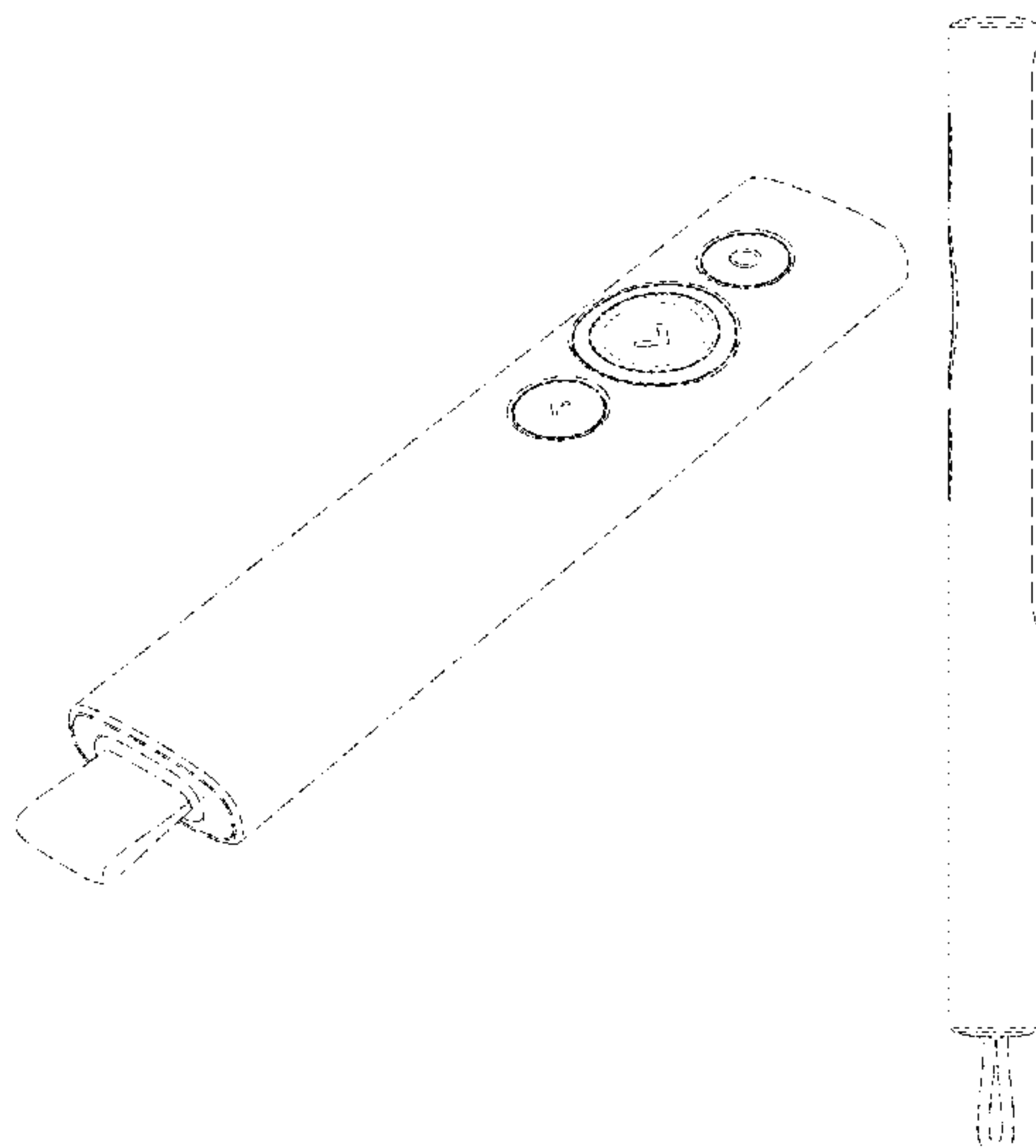
*Primary Examiner* — Marie D. Fast Horse  
(74) *Attorney, Agent, or Firm* — Kilpatrick Townsend & Stockton LLP

(57) **CLAIM**  
The ornamental design for a presenter device, as shown and described.

**DESCRIPTION**

FIG. 1 is a perspective view of a presenter device showing our new design;  
FIG. 2 is a top plan view thereof;  
FIG. 3 is a bottom plan view thereof;  
FIG. 4 is a front elevation view thereof;  
FIG. 5 is a rear elevation view thereof;  
FIG. 6 is a left elevation view thereof; and,  
FIG. 7 is a right elevation view thereof.  
The broken lines in the drawings depict portions of the presenter device that form no part of the claimed design.

**1 Claim, 4 Drawing Sheets**



(56)

References Cited

U.S. PATENT DOCUMENTS

D539,814 S *	4/2007	Andre	.....	D14/203.3	D795,871 S *	8/2017	Jentz	.....	D14/388
D546,782 S *	7/2007	Poulet	.....	D13/168	D796,484 S *	9/2017	Chen	.....	D14/218
D572,206 S *	7/2008	Ikeda	.....	D13/168	D798,272 S *	9/2017	Desagre	.....	D14/218
D585,077 S *	1/2009	Sheba	.....	D14/434	D798,274 S *	9/2017	Huang	.....	D14/218
D592,677 S *	5/2009	Sheba	.....	D14/434	D798,275 S *	9/2017	Huang	.....	D14/218
D612,839 S *	3/2010	Kato	.....	D14/218	D799,449 S *	10/2017	Yoon	.....	D14/218
D614,604 S *	4/2010	Hoehn	.....	D14/218	D799,450 S *	10/2017	Lee	.....	D14/218
D620,456 S *	7/2010	Akana	.....	D13/168	D801,311 S *	10/2017	Akana	.....	D14/218
D620,925 S *	8/2010	Geck	.....	D14/218	D805,058 S *	12/2017	Akana	.....	D14/218
D626,530 S *	11/2010	Andre	.....	D14/203.3	D805,501 S *	12/2017	Akana	.....	D14/218
D631,851 S *	2/2011	Smith	.....	D13/168	D805,502 S *	12/2017	Zhuang	.....	D14/218
D656,127 S *	3/2012	Kay	.....	D14/218	D816,638 S *	5/2018	Kim	.....	D14/218
D673,138 S *	12/2012	Kim	.....	D14/218	D826,937 S *	8/2018	Ruegg	.....	D14/388
D703,186 S *	4/2014	Zaslavsky	.....	D14/218	D836,567 S *	12/2018	Lee	.....	D13/168
D703,188 S *	4/2014	Maier	.....	D14/218	D837,747 S *	1/2019	Lee	.....	D13/168
D704,167 S *	5/2014	Akana	.....	D14/218	D840,360 S *	2/2019	Scott	.....	D13/168
D714,762 S *	10/2014	O'Neil	.....	D14/218	D844,971 S *	4/2019	Laurans	.....	D3/207
D733,100 S *	6/2015	Kim	.....	D14/218	D846,452 S *	4/2019	Collins	.....	D12/133
D760,701 S *	7/2016	Lyons	.....	D14/218	D848,424 S *	5/2019	Kujawski	.....	D14/401
D770,455 S *	11/2016	Lee	.....	D14/155	D856,332 S *	8/2019	Ruegg	.....	D14/388
D785,598 S *	5/2017	Ikonen	.....	D14/218	D856,333 S *	8/2019	Ruegg	.....	D14/388
D789,364 S *	6/2017	Jentz	.....	D14/218	D857,017 S *	8/2019	Cheng	.....	D14/388
D792,372 S *	7/2017	Kim	.....	D14/204	2005/0024321 A1 *	2/2005	Tsai	.....	G06F 3/0219
D793,366 S *	8/2017	Kato	.....	D14/218					345/156
D793,367 S *	8/2017	Kato	.....	D14/218	2005/0038660 A1 *	2/2005	Black	.....	G06F 3/167
D795,256 S *	8/2017	Jentz	.....	D14/388					704/275
D795,842 S *	8/2017	Cha	.....	D14/218	2010/0309123 A1 *	12/2010	Sawai	.....	G06F 3/0346
D795,870 S *	8/2017	Jentz	.....	D14/388					345/157
					2018/0173326 A1 *	6/2018	Mathias	.....	G06F 3/04812
					2018/0181263 A1 *	6/2018	Mathias	.....	G06F 3/0482

\* cited by examiner

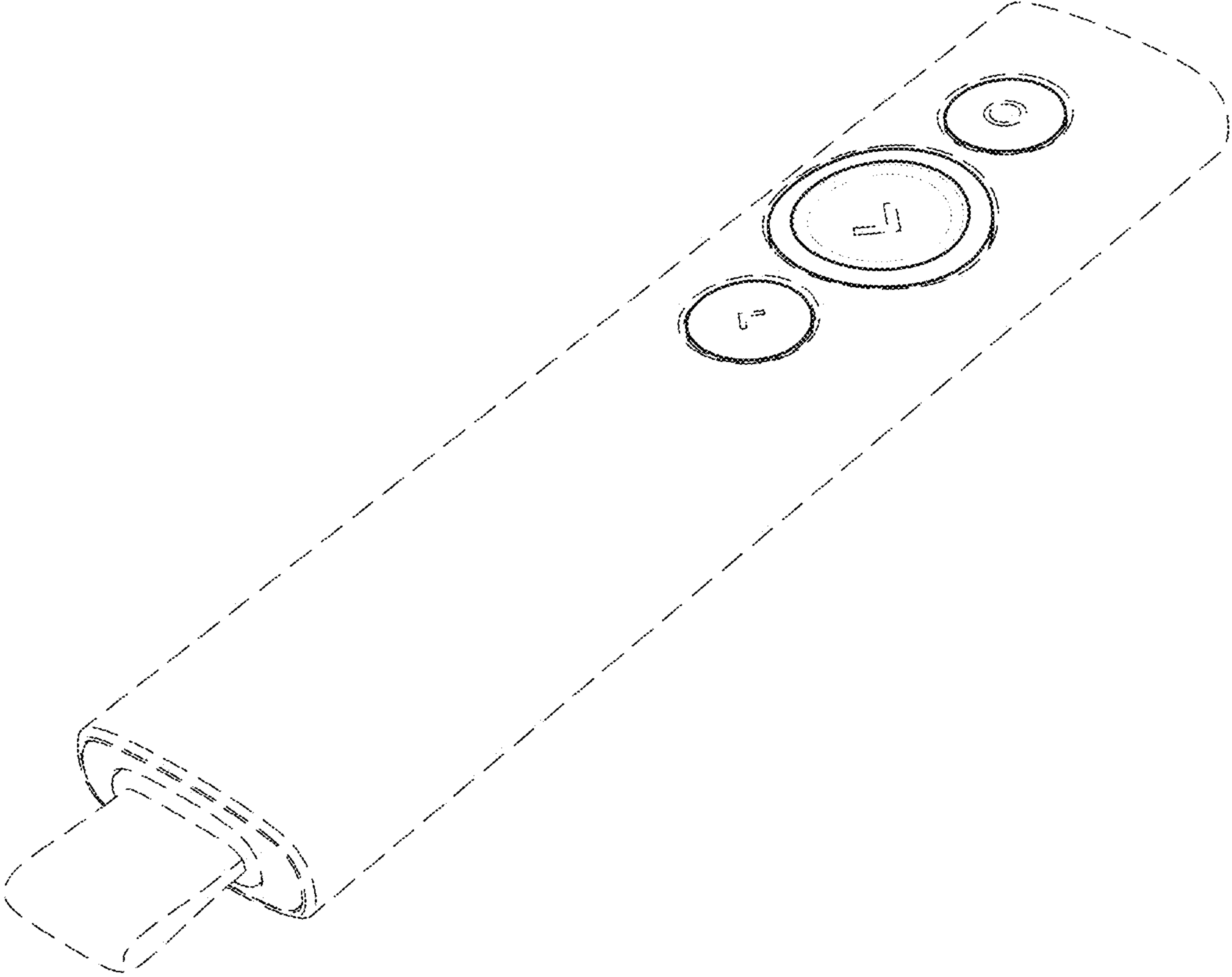


FIG. 1

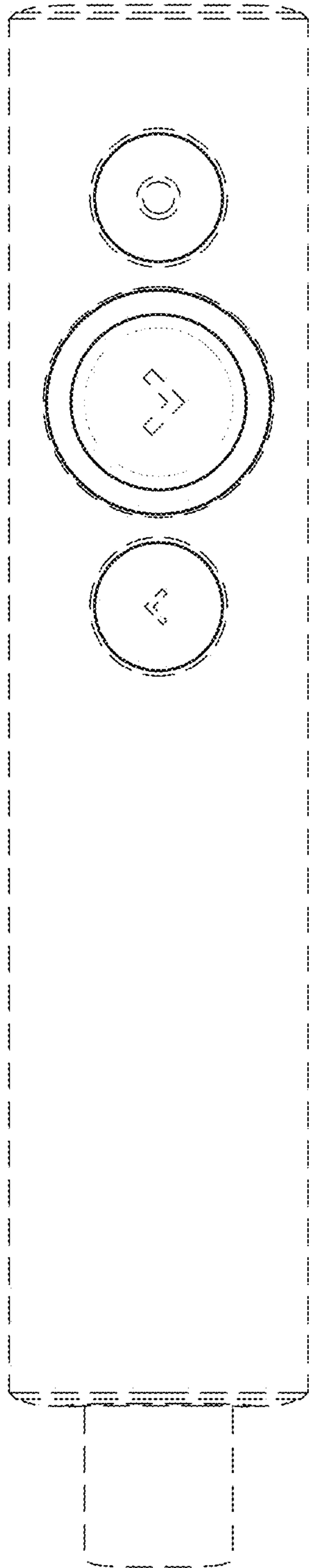


FIG. 2

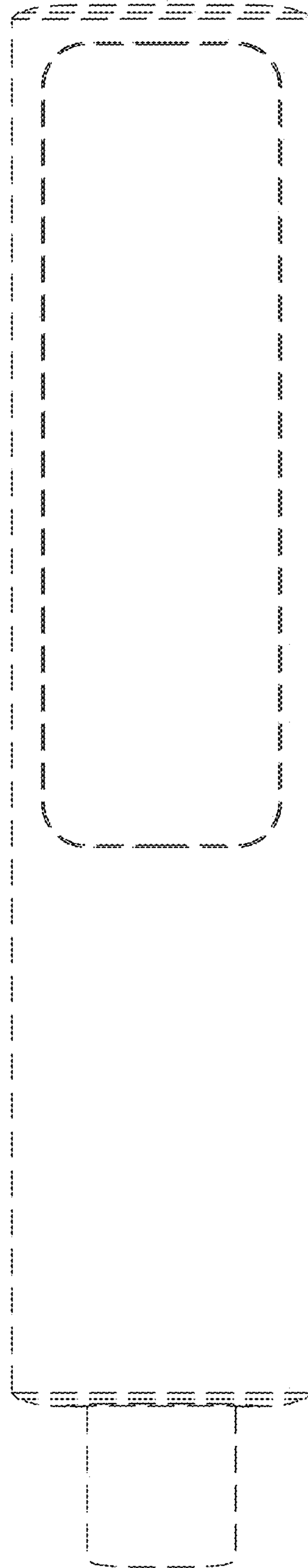
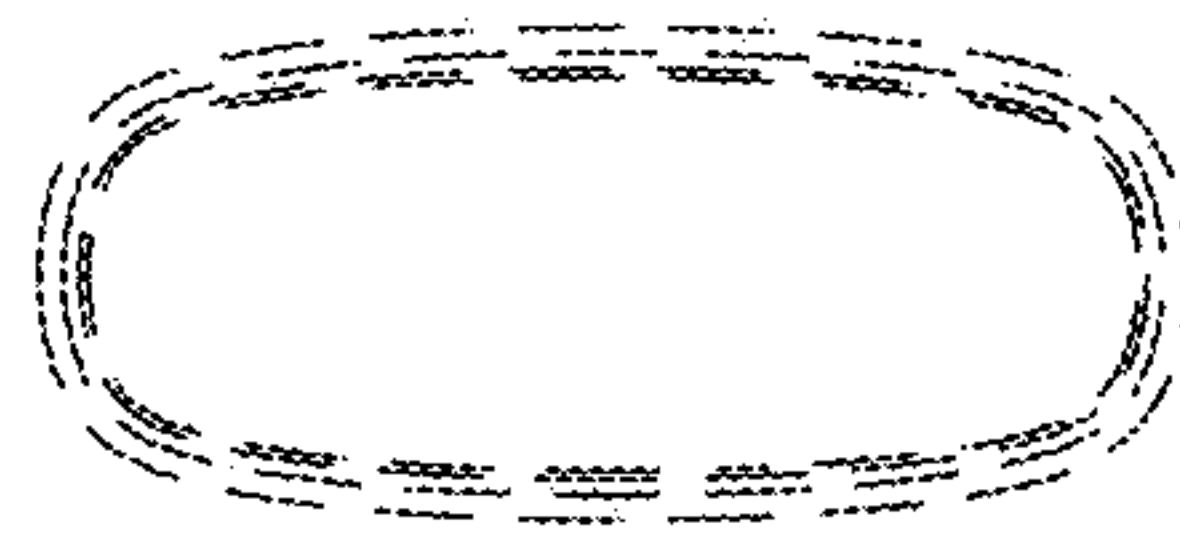
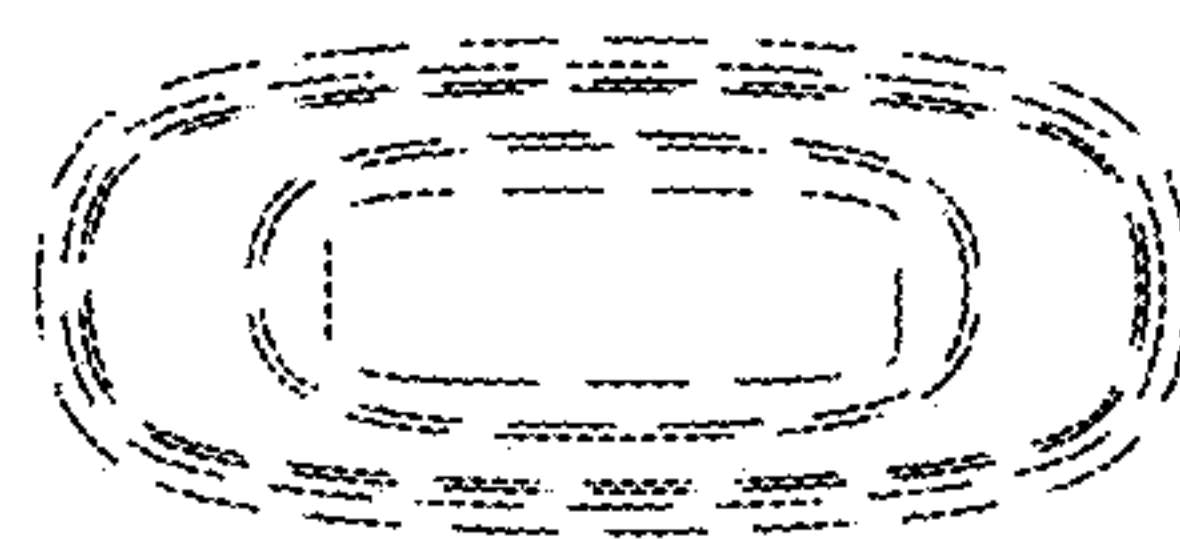


FIG. 3



*FIG. 4*



*FIG. 5*





FIG. 6



FIG. 7