



US00D873267S

(12) **United States Design Patent** (10) **Patent No.:** **US D873,267 S**
Du et al. (45) **Date of Patent:** **** Jan. 21, 2020**

(54) **ENCLOSURE**

FOREIGN PATENT DOCUMENTS

(71) Applicant: **Hewlett Packard Enterprise Development LP**, Houston, TX (US)

CN 3361679 4/2004
CN 301410293 12/2010

(Continued)

(72) Inventors: **Yinggang Du**, Houston, TX (US);
Keith J. Kuehn, Magnolia, TX (US);
Brooks Vaughan, Houston, TX (US);
Paul N. Greff, Aliso Viejo, CA (US)

OTHER PUBLICATIONS

09-0610_HPencore_FP_NS; 1 page; printed on Aug. 30, 2017 from:
http://homeservershow.com/wp-content/uploads/2009/09/09-0610_HPencore_FP_NS.jpg.

(Continued)

(73) Assignee: **Hewlett Packard Enterprise Development LP**, Houston, TX (US)

Primary Examiner — Marissa J Cash
Assistant Examiner — Altaira J Swangin
(74) *Attorney, Agent, or Firm* — Hewlett Packard Enterprise Patent Department

(**) Term: **15 Years**

(21) Appl. No.: **29/631,760**

(22) Filed: **Jan. 2, 2018**

(51) **LOC (12) Cl.** **14-02**

(57) **CLAIM**

(52) **U.S. Cl.**
USPC **D14/349**

We claim the ornamental design for an enclosure, as shown and described.

(58) **Field of Classification Search**
USPC D14/349, 351–355, 359, 440–441, 444,
D14/446; D9/424, 430, 432–433;
206/706–709, 722–725
CPC G06F 1/20; H05K 5/00; H05K 5/0213;
H05K 5/03
See application file for complete search history.

DESCRIPTION

FIG. 1 is a top right perspective view of an enclosure;
FIG. 2 is a top left perspective view thereof;
FIG. 3 is a front view thereof,
FIG. 4 is a rear view thereof;
FIG. 5 is a right side view thereof,
FIG. 6 is a left side view thereof;
FIG. 7 is a top thereof;
FIG. 8 is a bottom view thereof; and,
FIG. 9 is an enlarged perspective view of the enclosure of FIG. 1 taken along line 9-9.

The ornamental design which is claimed is shown in solid lines in the drawings. The uniform length dashed broken lines in the drawings illustrate environmental structure and form no part of the claimed design. The long dash-short dash broken lines in the drawings illustrate environmental structure while concurrently serving as boundary lines identify-

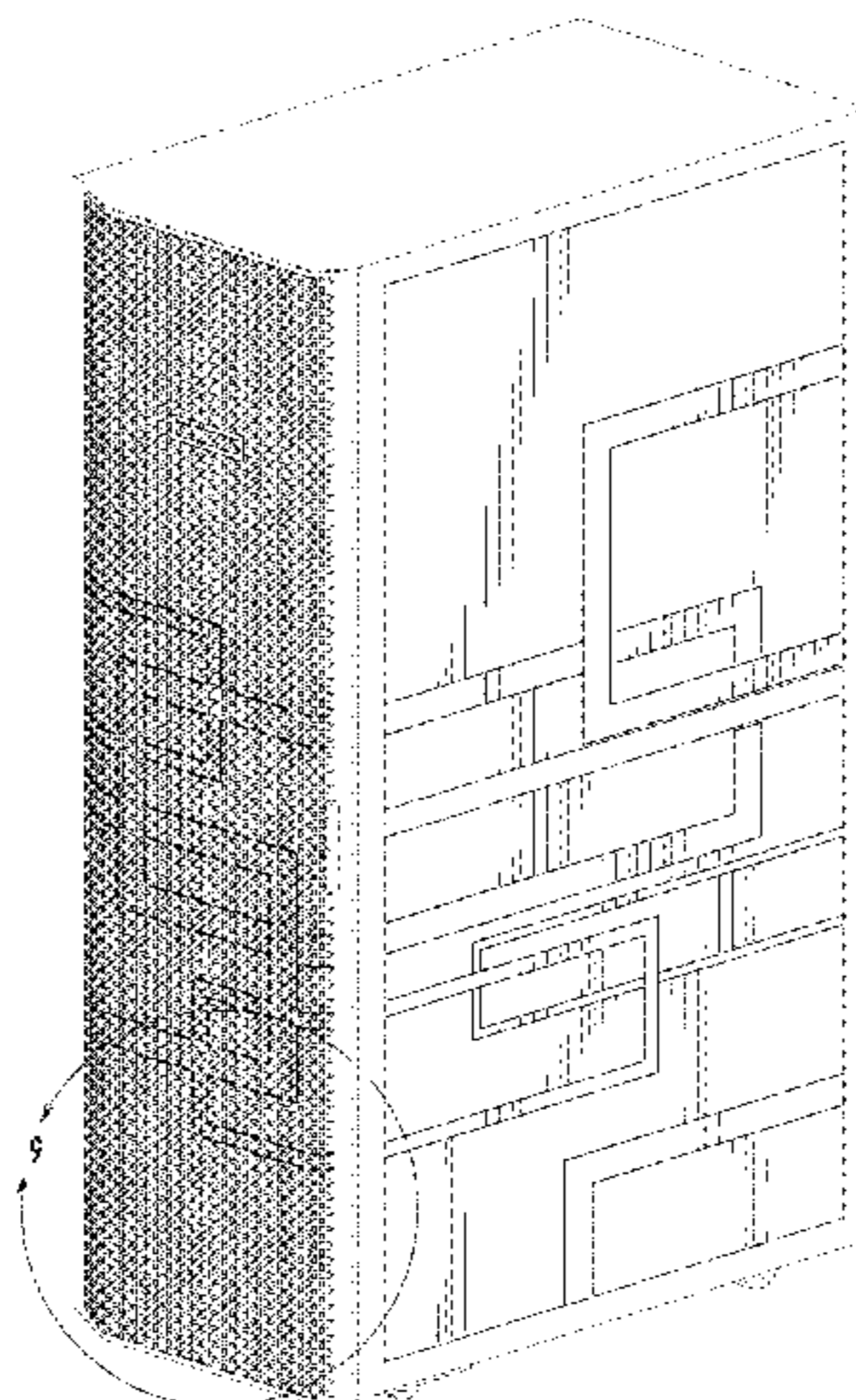
(Continued)

(56) **References Cited**

U.S. PATENT DOCUMENTS

D230,808 S * 3/1974 Edwards D6/302
D329,641 S * 9/1992 Goff D14/313
D331,568 S * 12/1992 Koller D14/351
D419,139 S * 1/2000 Kohara D14/308
D431,822 S * 10/2000 Armstrong D14/349
D466,894 S * 12/2002 Crisp D14/349
D467,919 S * 12/2002 Crisp D14/349
D476,992 S * 7/2003 Chien D14/444

(Continued)



ing boundaries of the claimed design, wherein the long dash-short dash broken lines form no part of the claimed design.

1 Claim, 9 Drawing Sheets

D852,034 S * 6/2019 Gan D9/418
 D856,945 S * 8/2019 Azar D13/179
 D857,014 S * 8/2019 Wu D14/365
 10,394,292 B1 * 8/2019 Van Dyke
 D858,898 S * 9/2019 Chomos D30/114
 2019/0265762 A1 * 8/2019 Zhai G06F 1/20

(56)

References Cited

U.S. PATENT DOCUMENTS

D481,385 S * 10/2003 Tanaka D14/308
 D517,074 S * 3/2006 Kubota D14/349
 D525,254 S * 7/2006 Huang D14/444
 D532,789 S * 11/2006 Lin D14/444
 D545,817 S * 7/2007 Frank D14/301
 D560,766 S * 1/2008 Koury D23/275
 D574,836 S * 8/2008 Koh D14/440
 D593,104 S * 5/2009 Gillespie D14/239
 D598,440 S 8/2009 Alfonso et al.
 D598,455 S * 8/2009 Musgrave D14/441
 D599,354 S * 9/2009 Musgrave D14/441
 D615,968 S * 5/2010 Herbst D14/300
 D635,563 S * 4/2011 Brusca D14/301
 D653,667 S * 2/2012 Wallace D14/444
 D673,161 S * 12/2012 Kuehn D14/441
 D673,570 S * 1/2013 Wallace D14/444
 8,385,850 B1 * 2/2013 Thompson H04B 1/03
 455/351
 D682,280 S * 5/2013 Vaughan D14/444
 D685,785 S * 7/2013 Seoc D14/353
 D690,694 S 10/2013 Utsuki et al.
 D700,612 S * 3/2014 Kuehn D14/444
 D705,231 S * 5/2014 McClelland D14/444
 D705,232 S * 5/2014 McClelland D14/444
 D705,498 S * 5/2014 Snow D30/114
 D706,273 S * 6/2014 Kuehn D14/441
 D740,293 S * 10/2015 Kuehn D14/444
 D783,594 S * 4/2017 Lin D14/301
 D783,595 S * 4/2017 Lin D14/301
 D816,814 S * 5/2018 Shtraks D23/305
 D816,815 S * 5/2018 Lieb D23/305

FOREIGN PATENT DOCUMENTS

CN 301581255 6/2011
 CN 301665451 9/2011
 CN 301860756 3/2012
 CN 302518210 7/2013
 CN 302535314 8/2013
 CN 302578458 9/2013
 CN 302943727 9/2014
 CN 303275699 7/2015
 CN 303275719 7/2015
 CN 303329543 8/2015
 CN 303329590 8/2015
 CN 303520563 12/2015
 CN 303792473 8/2016
 CN 304072842 3/2017
 JP D1306861 * 7/2007
 KR 300698510.0000 * 6/2013
 KR 300829772.0000 * 12/2015
 WO WO-D089546-004 * 3/2016

OTHER PUBLICATIONS

15U Double Section Wall Mounted Rack Server 600 (W)×600 (D)×769 (H) Glass Front Door Black; 5 pages printed on Aug. 30, 2017 from: <http://towerz.com/server-racks/15u-double-section-wall-mounted-enclosure-600-600-glass-front-door-black.html>.
 25u Rack Cabinet; 3 pages; printed on Aug. 30, 2017 from <http://ww1.bryont.net/25u-rack-cabinet/>.
 Cisco and Nimble SmartStack Rack Graphics; 4 pages; printed on Aug. 30, 2017 from: <http://finelinegd.com/projects/cisco-and-nimble-smartstack-rack-graphics/>.
 Dell Netshelter SX racks; 3 pages; printed on Aug. 30, 2017 from: <http://www.dell.com/en-us/work/shop/servers-storage-and-networking/data-center-infrastructure/spd/rack-enclosures>.

* cited by examiner

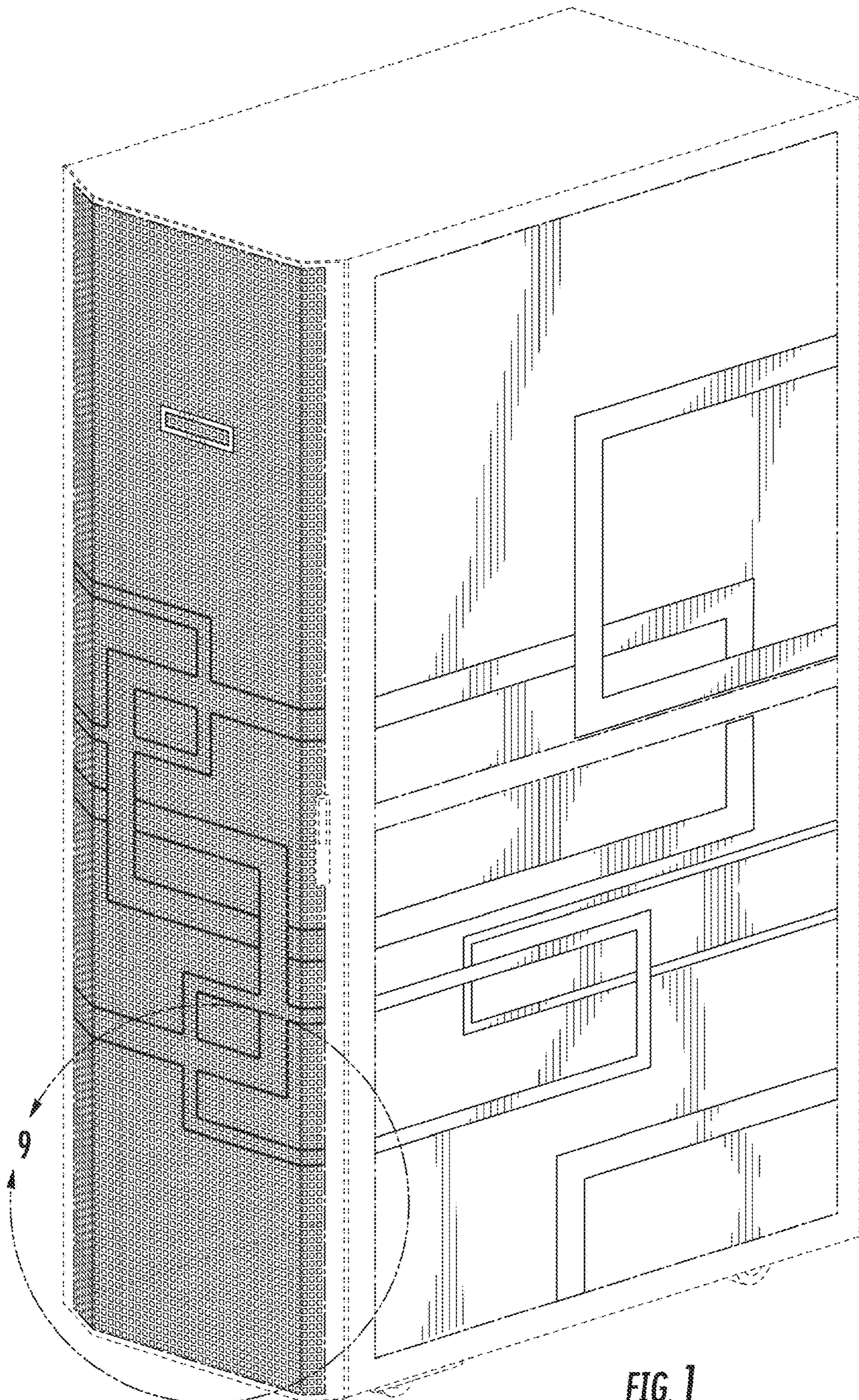


FIG. 1

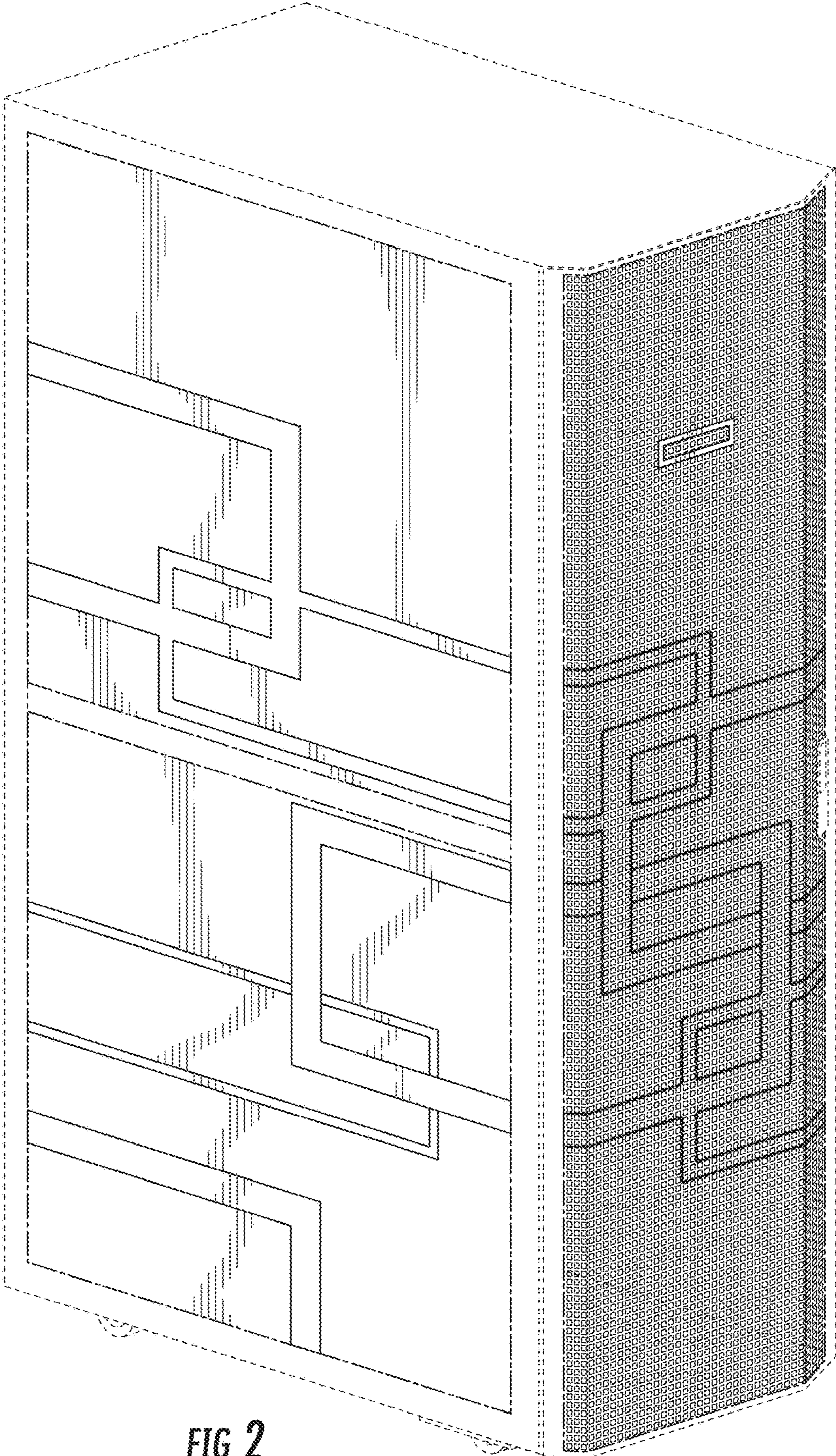


FIG. 2

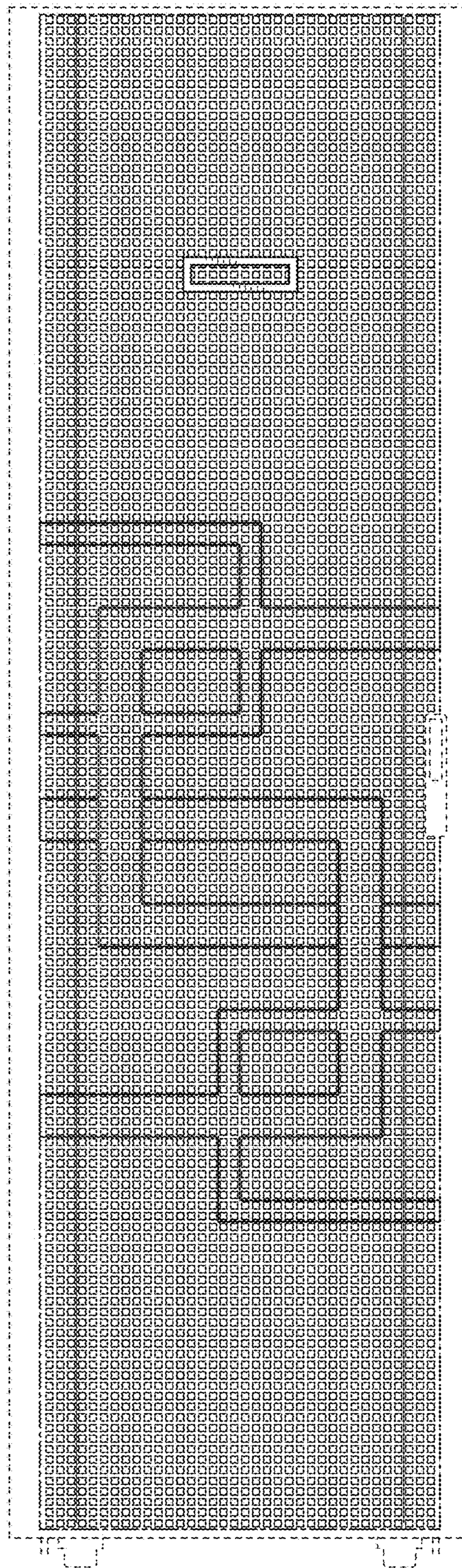


FIG. 3

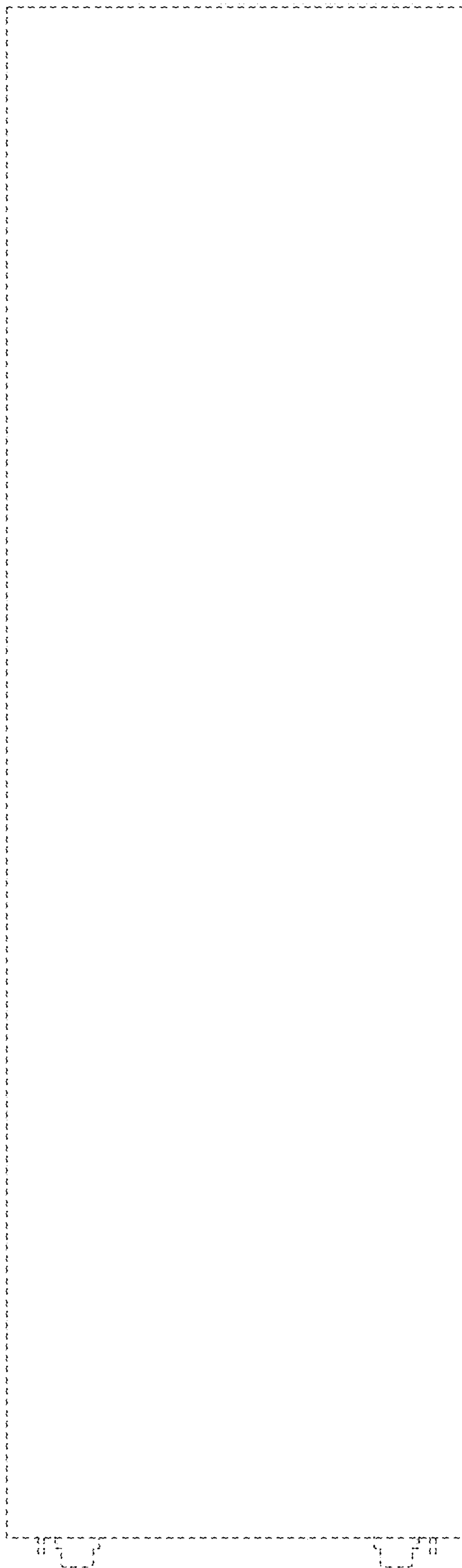


FIG. 4

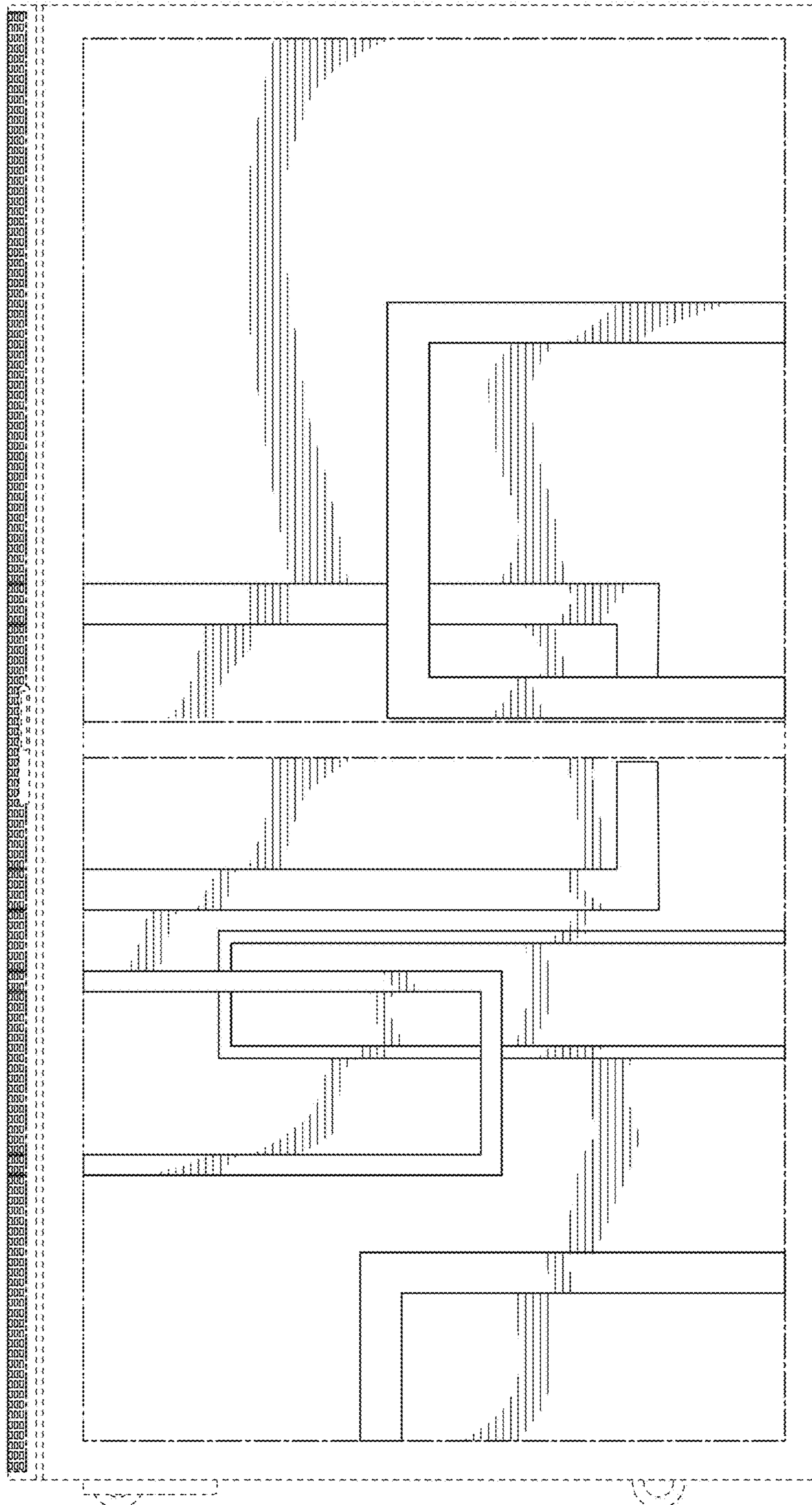


FIG. 5

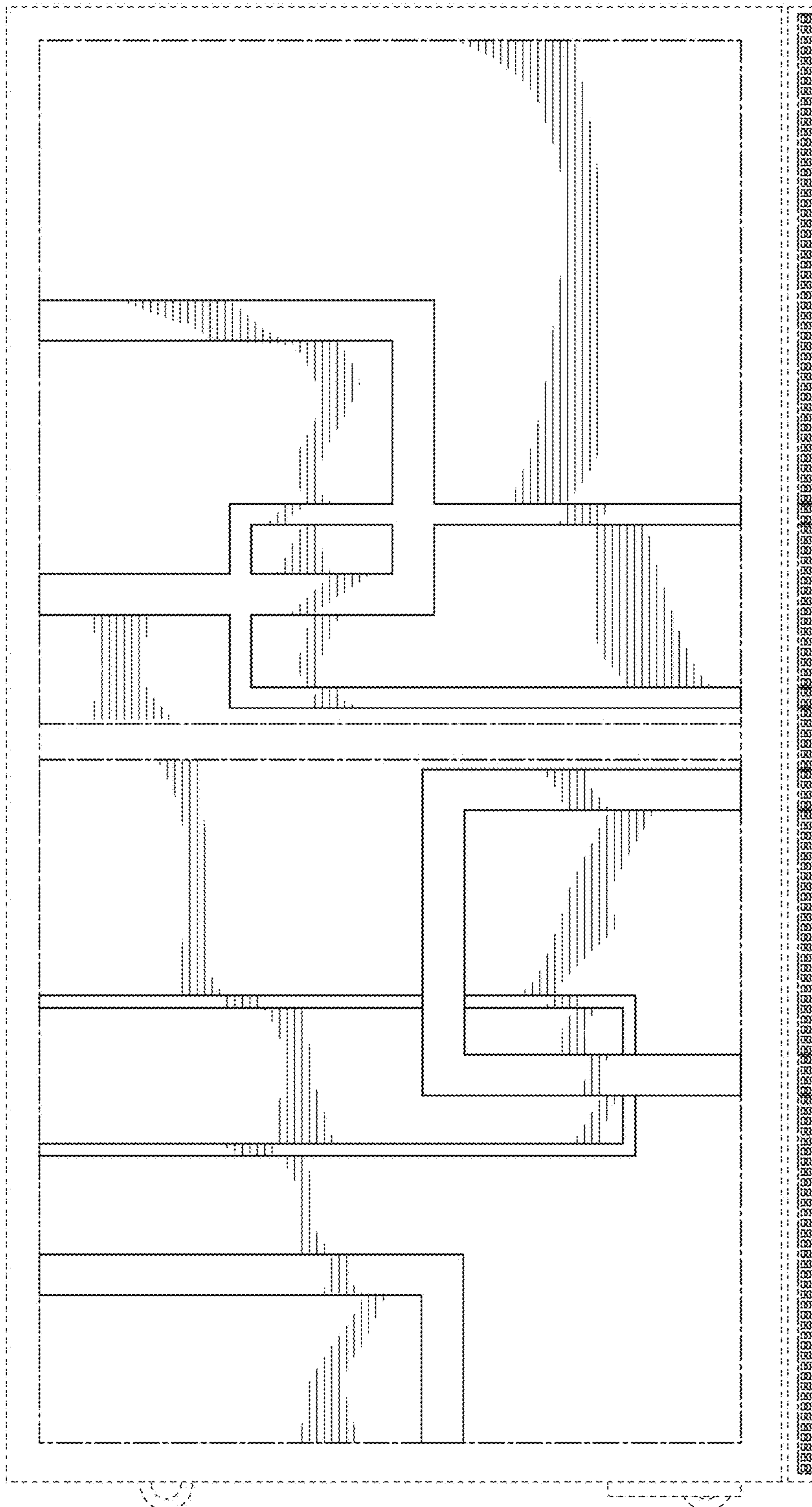


FIG. 6



FIG. 7

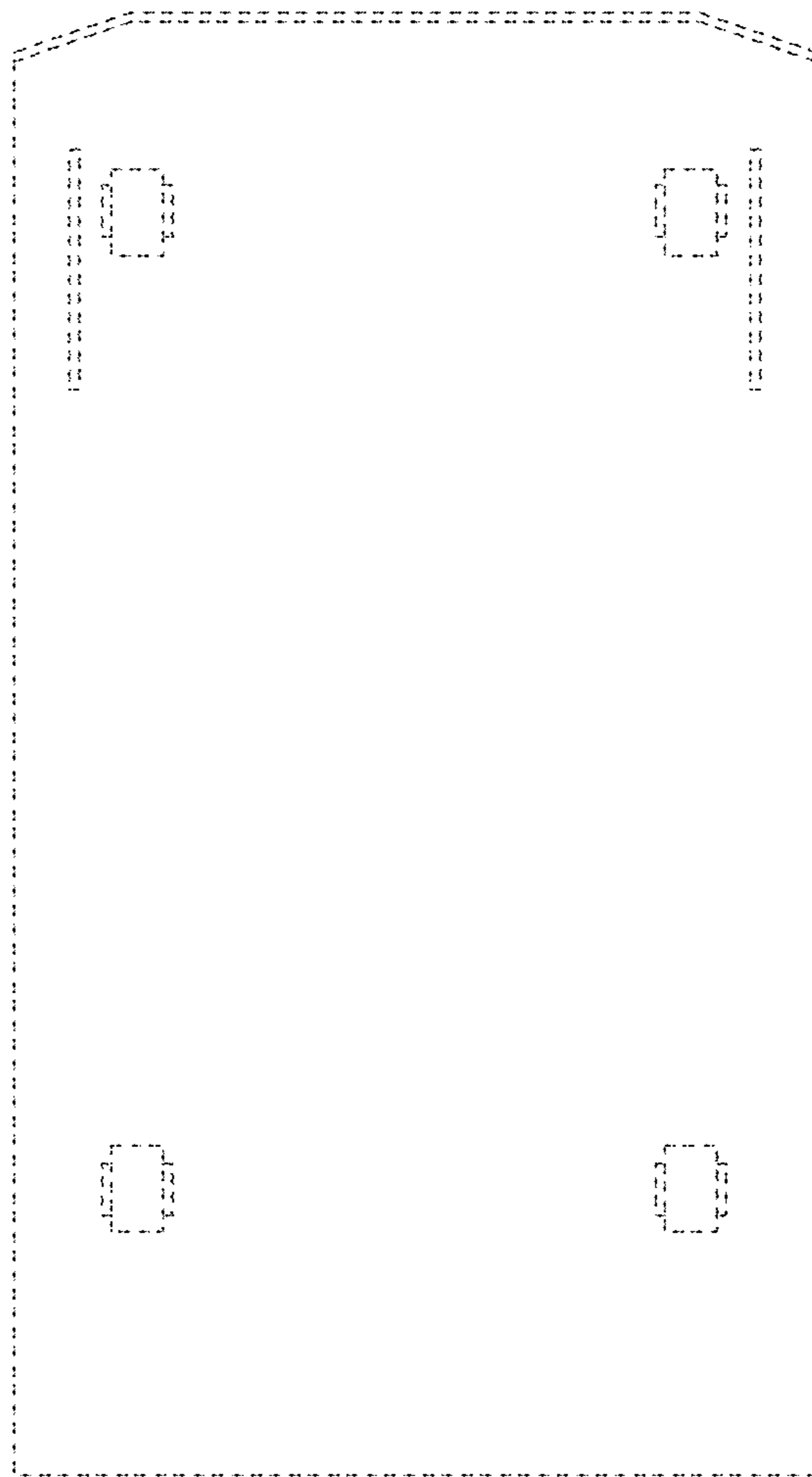


FIG. 8

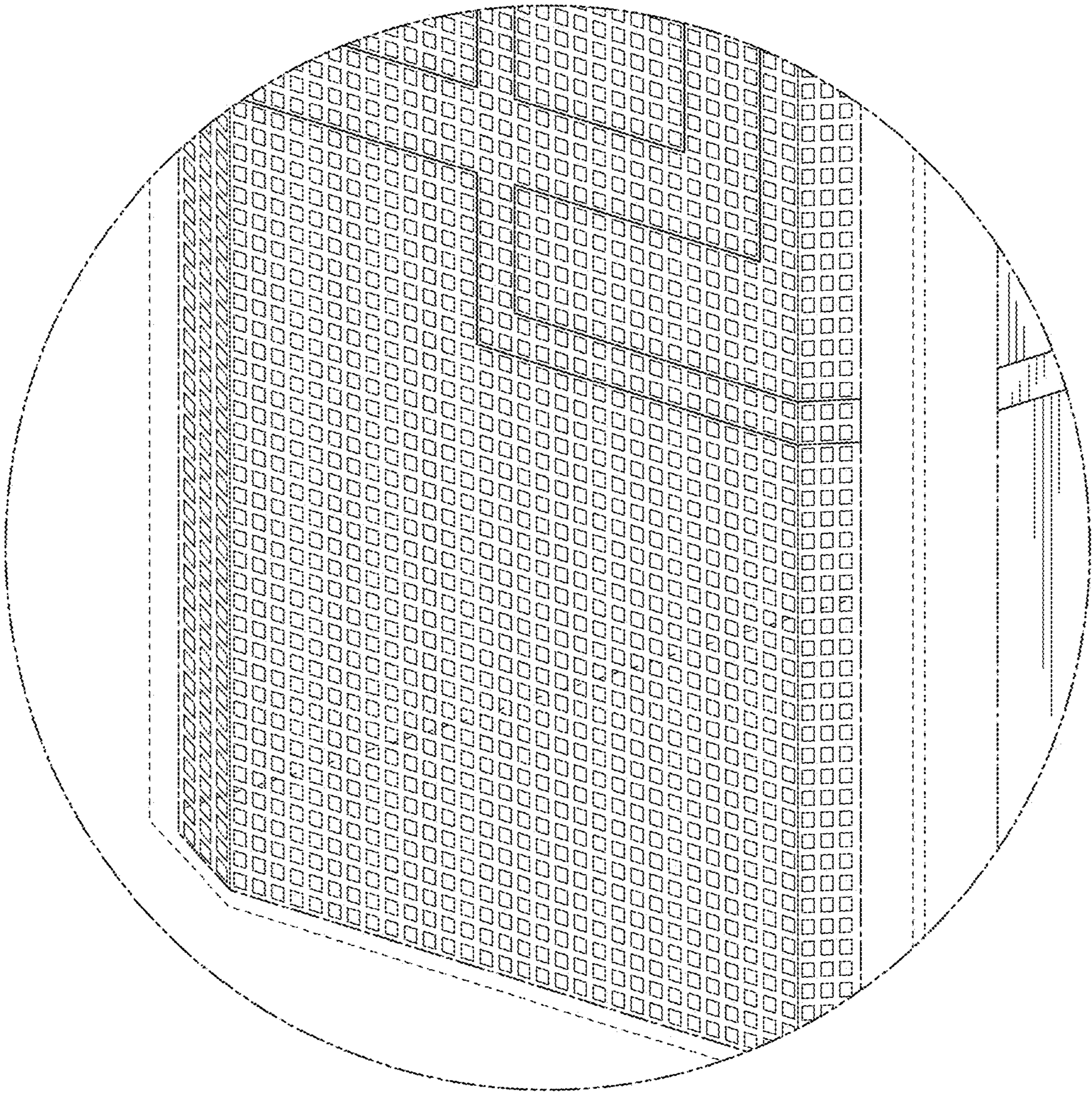


FIG. 9