



US00D873265S

(12) **United States Design Patent** (10) **Patent No.:** **US D873,265 S**
Wall et al. (45) **Date of Patent:** **** Jan. 21, 2020**

(54) **ELECTRONIC DEVICE**
(71) Applicant: **Amazon Technologies, Inc.**, Seattle, WA (US)
(72) Inventors: **Timothy Eli Wall**, San Francisco, CA (US); **Marc Rene Walliser**, San Francisco, CA (US)
(73) Assignee: **Amazon Technologies, Inc.**, Seattle, WA (US)

D278,865 S 5/1985 McCaffrey
6,297,795 B1 10/2001 Kato et al.
D584,738 S * 1/2009 Kim D14/496
D587,267 S 2/2009 Wang
D593,087 S * 5/2009 Andre D14/138 G
D605,194 S 12/2009 Hakoda
(Continued)

(**) Term: **15 Years**
(21) Appl. No.: **29/610,134**
(22) Filed: **Jul. 10, 2017**

FOREIGN PATENT DOCUMENTS

EM 003566942-0003 * 1/2017

OTHER PUBLICATIONS

How the Kindle was designed through 10 years and 16 generations, announced 2017 [online], [retrieved Jun. 13, 2019]. Available from Internet, URL: <https://techcrunch.com/2017/11/20/how-the-kindle-was-designed-through-10-years-and-15-generations/> (Year: 2017).*
(Continued)

Related U.S. Application Data

(62) Division of application No. 29/560,832, filed on Apr. 11, 2016, now Pat. No. Des. 795,249.
(51) **LOC (12) Cl.** **14-02**
(52) **U.S. Cl.**
USPC **D14/341**
(58) **Field of Classification Search**
USPC D14/315-318, 341-347, 420, 426, 240, D14/129-130, 496, 137, 138 R, 138 AA, D14/138 AB, 138 AC, 138 AD, 138 G, D14/203.1-203.8, 248, 336, 371, D14/388-389; D6/308, 310; D10/104.1, D10/50, 65, 74; D19/59, 60; D21/324, D21/329, 332
CPC G06F 15/00; G06F 17/00; G06F 19/00; G06F 3/041; G06F 3/147; G06F 3/1475; G06F 3/044
See application file for complete search history.

Primary Examiner — Barbara Fox
Assistant Examiner — Dana K Weiland
(74) *Attorney, Agent, or Firm* — Lee & Hayes, P.C.

(57) **CLAIM**

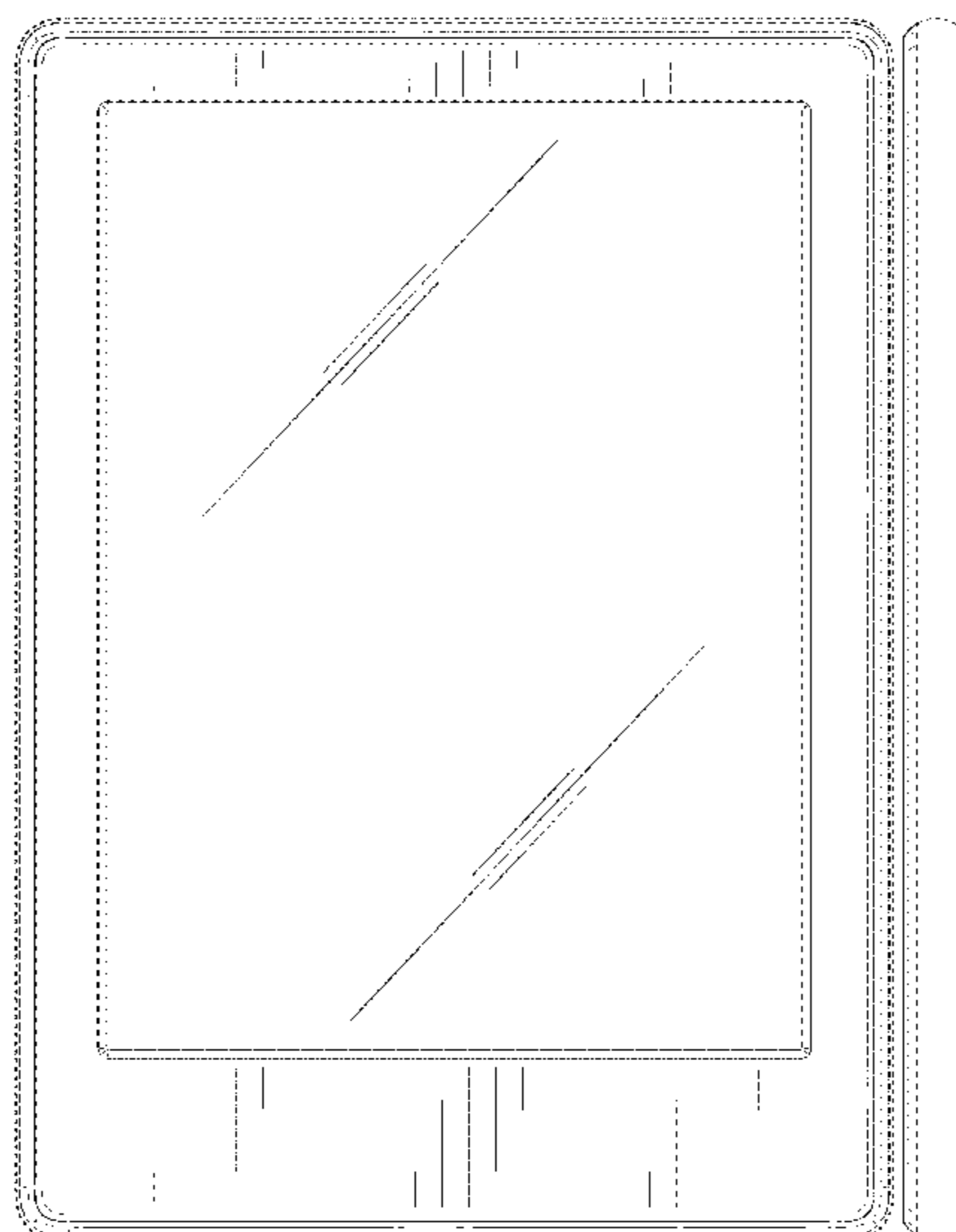
The ornamental design for an electronic device, as shown and described.

DESCRIPTION

FIG. 1 is a front perspective view of an electronic device, showing the new design;
FIG. 2 is a back perspective view thereof;
FIG. 3 is a front view thereof;
FIG. 4 is a back view thereof;
FIG. 5 is a left-side view thereof;
FIG. 6 is a right-side view thereof;
FIG. 7 is a top view thereof; and,
FIG. 8 is a bottom view thereof.
The broken lines depict portions of the electronic device that form no part of the claimed design.

(56) **References Cited**
U.S. PATENT DOCUMENTS
D255,745 S 7/1980 Pedersen
D270,068 S 8/1983 Ackeret

1 Claim, 8 Drawing Sheets



(56)

References Cited

U.S. PATENT DOCUMENTS

D610,582 S 2/2010 Sugitani et al.
 D624,074 S * 9/2010 Green D14/346
 D635,784 S 4/2011 Li et al.
 D636,187 S 4/2011 Kim et al.
 D636,769 S 4/2011 Wood et al.
 D640,992 S 7/2011 Margolin et al.
 D641,018 S 7/2011 Lee et al.
 D645,038 S * 9/2011 Tzeng D14/341
 D648,693 S * 11/2011 Kim D14/138 AD
 D650,382 S * 12/2011 Huang D14/341
 D654,074 S 2/2012 Wood et al.
 D672,345 S 12/2012 Li
 D675,590 S * 2/2013 Daniel D14/138 G
 D679,274 S * 4/2013 Canizares D14/341
 D679,706 S 4/2013 Tang et al.
 D680,524 S 4/2013 Feng et al.
 D684,969 S 6/2013 Smith et al.
 D685,783 S 7/2013 Bryan et al.
 D686,176 S * 7/2013 Kim D14/138 G
 D689,840 S * 9/2013 Lu D14/138 G
 D690,701 S 10/2013 Jonsson
 D693,787 S 11/2013 Reivo et al.
 D695,702 S * 12/2013 Kim D14/138 G
 D701,846 S * 4/2014 Lee D14/138 G
 D705,775 S 5/2014 Canizares et al.
 D710,352 S 8/2014 Lee et al.
 D713,830 S * 9/2014 Dhondt D14/248
 D714,243 S * 9/2014 Dhondt D14/138 G
 D716,250 S 10/2014 Becker et al.
 D716,746 S 11/2014 Du et al.
 D717,266 S 11/2014 Chung et al.
 D721,669 S * 1/2015 Kleiner D14/138 G
 D726,167 S * 4/2015 Lin D14/248
 D737,816 S * 9/2015 Loor Canizares D14/341

D743,704 S 11/2015 Kaiser
 D750,621 S 3/2016 Loor Canizares et al.
 D751,828 S 3/2016 Shields et al.
 D755,147 S * 5/2016 Lin D14/138 G
 D764,458 S * 8/2016 Jobetto D14/341
 D771,033 S * 11/2016 Jobetto D14/341
 D782,437 S * 3/2017 Yoon D14/138 G
 D795,249 S * 8/2017 Wall D14/341
 D832,266 S * 10/2018 Akana D14/439
 D839,266 S * 1/2019 Chang D14/341
 D840,960 S * 2/2019 Bishop D14/126
 2007/0287512 A1 12/2007 Kilpi et al.
 2012/0285060 A1 11/2012 Gross et al.
 2013/0082937 A1 4/2013 Liu et al.
 2019/0050098 A1* 2/2019 Koike G06F 3/0412

OTHER PUBLICATIONS

Amazon Kindle 8th Generation 2016 Review, announced Jul. 29, 2016 [online], [site visited Apr. 26, 2017]. Available from Internet, URL: <<http://goodereader.com/blog/electronic-readers/amazon-kindle-8th-generation-2016-review>>, 18 pages.
 Don't buy one now: Amazon is launching a new Kindle next week, announced Apr. 5, 2016 [online], [site visited Apr. 26, 2017]. Available from Internet, URL: <<http://www.techspot.com/news/64333-dont-buy-one-now-amazon-launching-new-kindle.html>>, 5 pages.
 Kozlowski, "Amazon Kindle 8th Generation 2016 Review", Apr. 26, 2017, <<<http://goodereader.com/blog/electronic-readers/amazon-kindle-8th-generation-2016-review>>>, Good E Reader, Jul. 29, 2016.
 Schiesser, "Don't buy one now: Amazon is launching a new Kindle next week", May 1, 2017, <<<http://www.techspot.com/news/64333-dont-buy-one-now-amazon-launching-new-kindle.html>>>, TechSpot, Apr. 5, 2016.

* cited by examiner

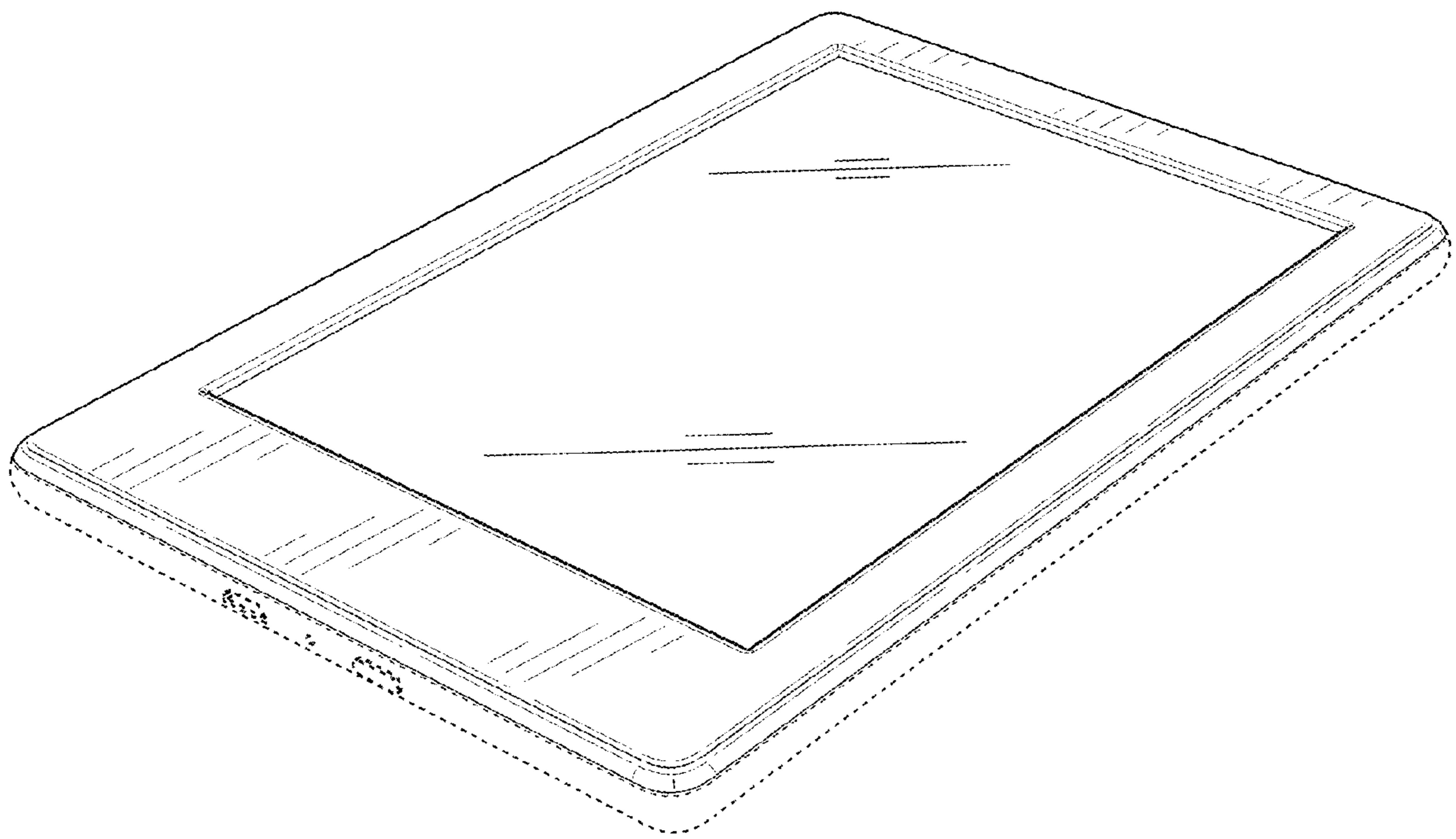


FIG. 1

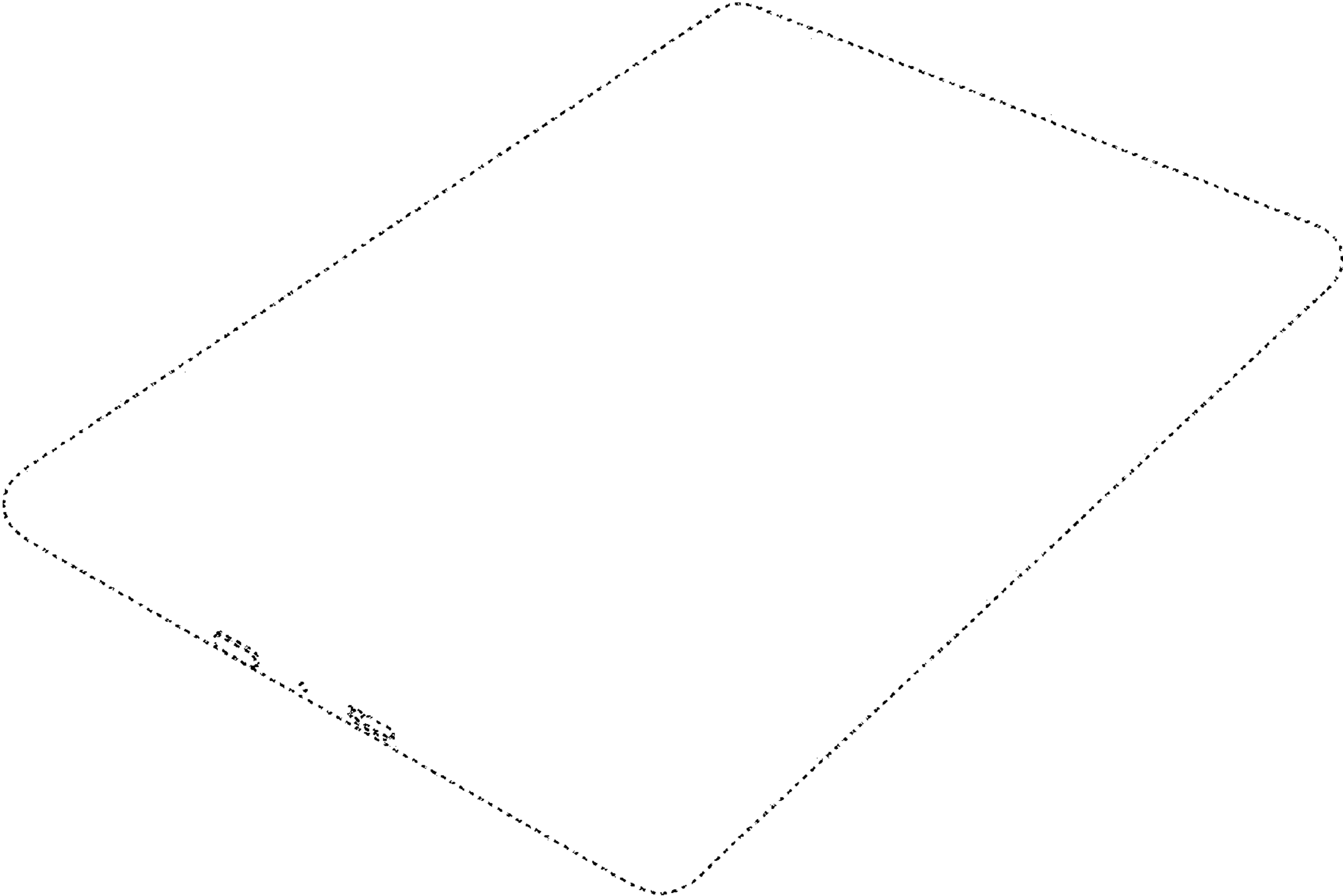


FIG. 2

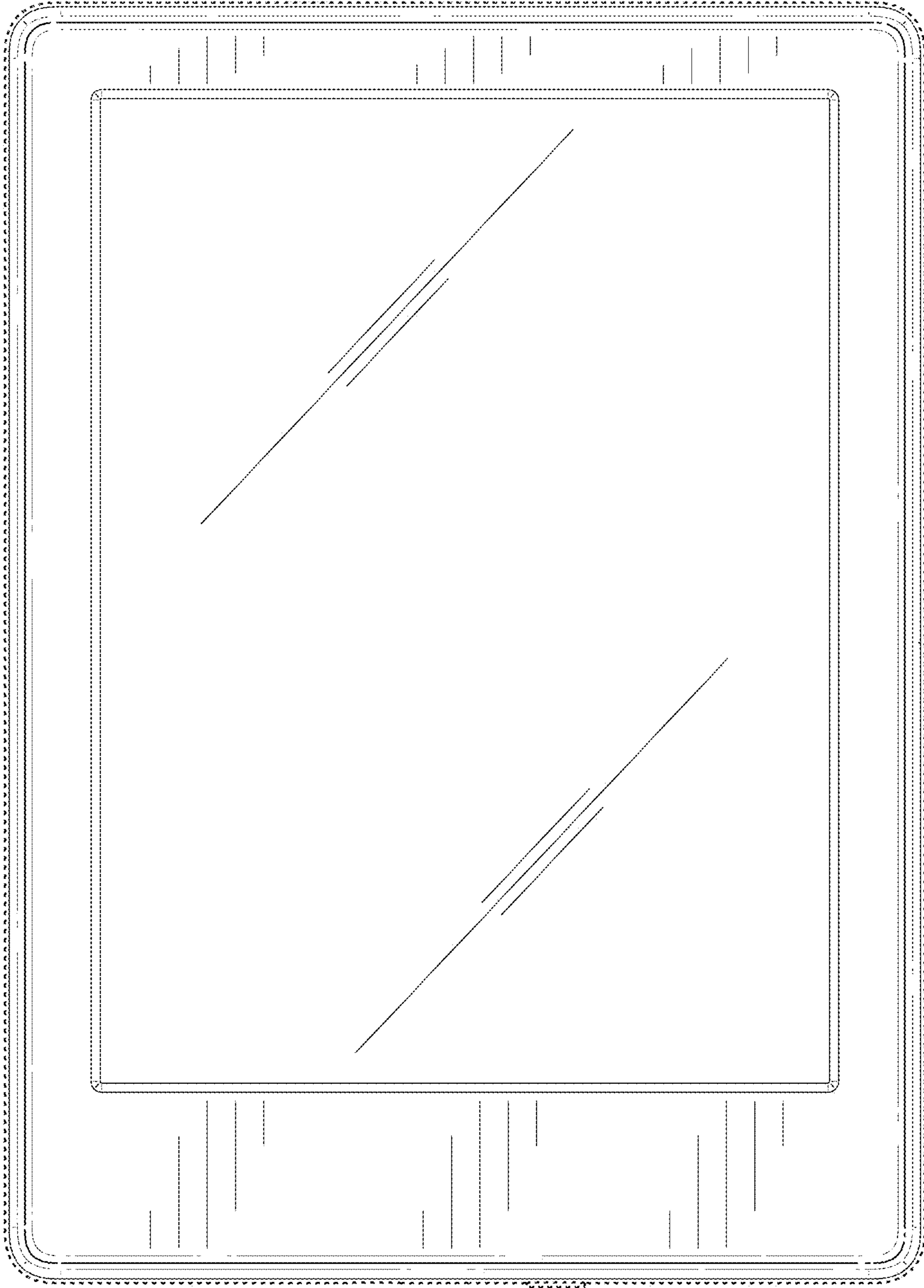


FIG. 3

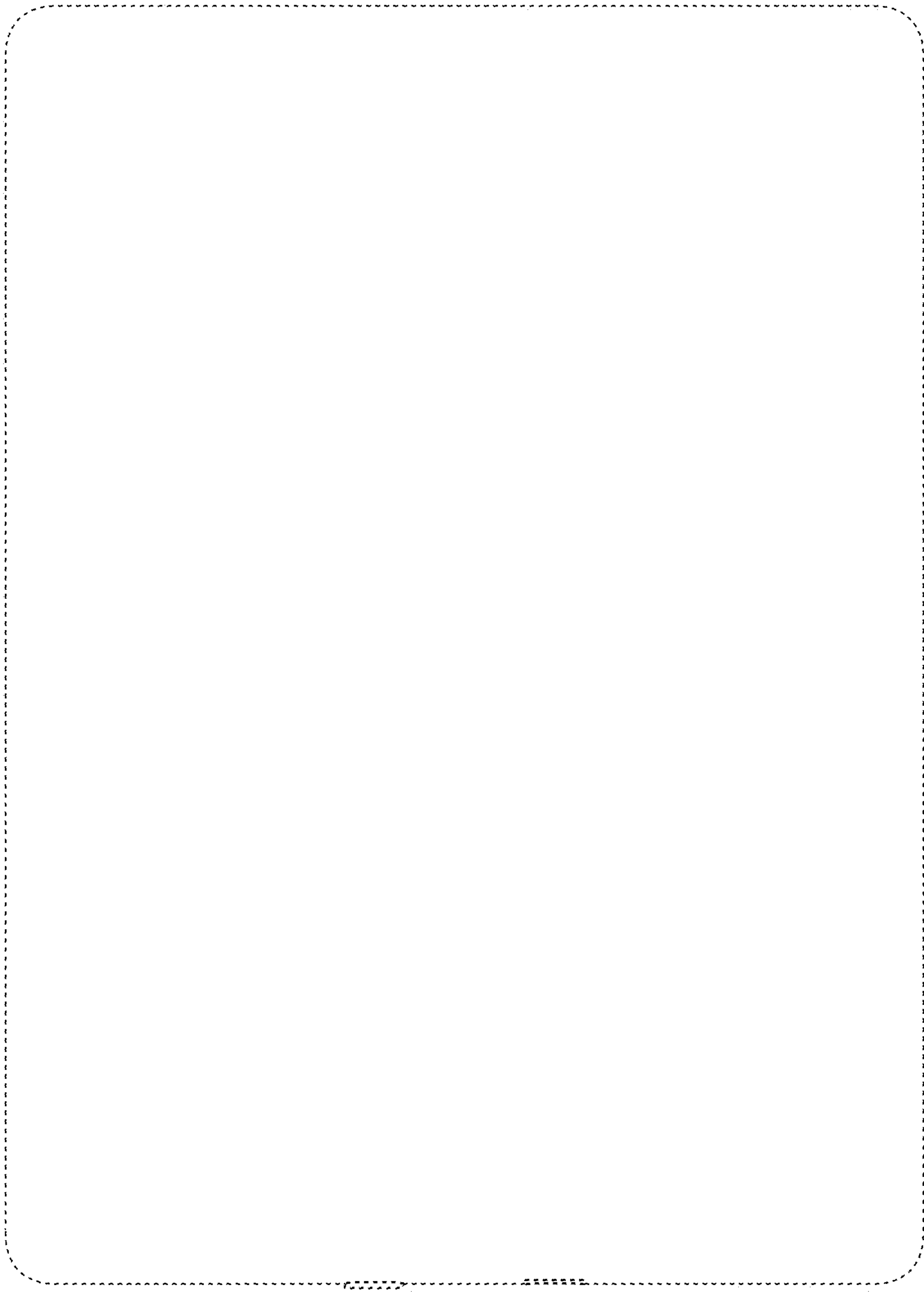


FIG. 4

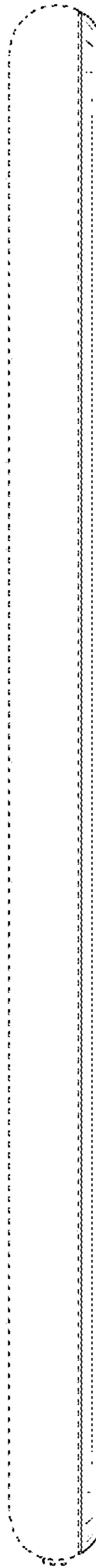


FIG. 5

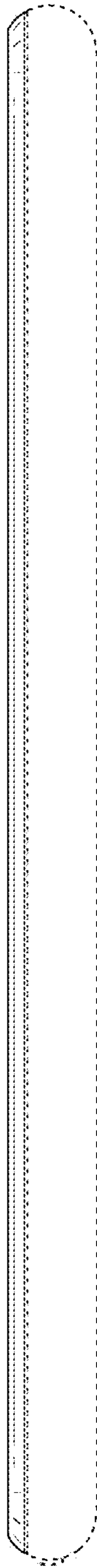


FIG. 6

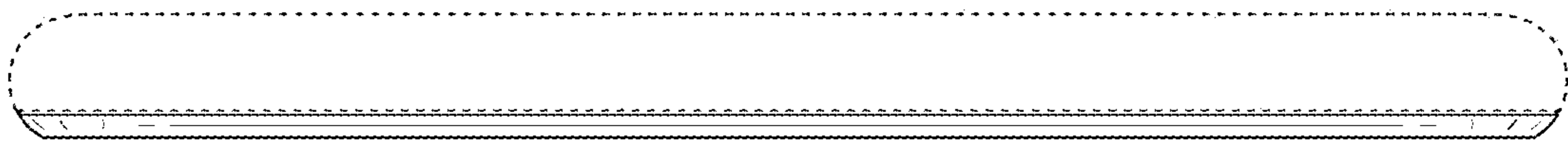


FIG. 7

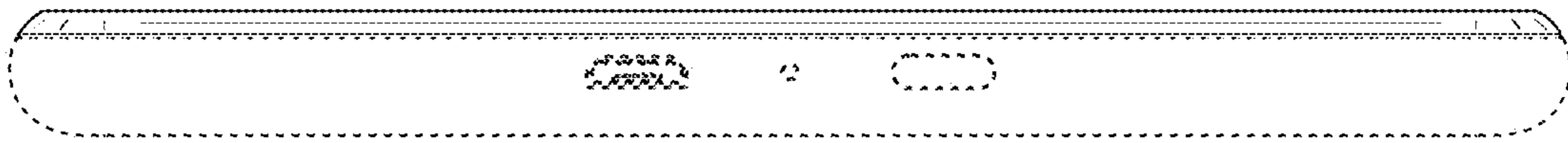


FIG. 8