

US00D873262S

(12) **United States Design Patent**  
**Fernando et al.**

(10) **Patent No.:** **US D873,262 S**  
(45) **Date of Patent:** **\*\* Jan. 21, 2020**

(54) **CUSTOMER FACING KIOSK**

CPC ..... G06Q 20/18; G06Q 20/10; G06Q 20/123;  
G06Q 20/20; G06Q 30/02; G06Q 30/06;  
A47F 9/047

(71) Applicants: **Llavanya Fernando**, San Jose, CA (US); **Neschae Fernando**, San Jose, CA (US); **Ranjan Kulathunga**, Kandy (LK); **Niroshan Karunaratne**, Ragama (LK); **Pubudu Karunaratna**, Colombo (LK); **Warnakulasooriya Manjulal Waas**, Moratuwa (LK); **Dilan Chamara Weekakkody**, Mathugama (LK); **Timothy Anthony Becerra**, San Leandro, CA (US); **Sankalpa Gamwarige**, Colombo (LK); **Asanka Alwis**, Mount Lavinia (LK)

See application file for complete search history.

(56)

**References Cited**

U.S. PATENT DOCUMENTS

D596,173 S *	7/2009	Arfin .....	D14/307
D640,252 S *	6/2011	Kuroda .....	D14/307
D646,269 S *	10/2011	Crick, Jr. ....	D14/307
D653,835 S *	2/2012	Strempack .....	D14/307
D669,464 S *	10/2012	Birgeoglu .....	D14/307
D690,293 S *	9/2013	Wilson .....	D14/307
D691,141 S *	10/2013	Cruz .....	D14/307
D692,885 S *	11/2013	Cruz .....	D14/307
D697,062 S *	1/2014	Nagai .....	D14/307
D711,870 S *	8/2014	Johnson .....	D14/307

(Continued)

*Primary Examiner* — Austin Murphy

(74) *Attorney, Agent, or Firm* — Useful Arts IP

(57)

**CLAIM**

The ornamental design for a customer facing kiosk, substantially as shown and described.

**DESCRIPTION**

FIG. 1 is a perspective view of a customer facing kiosk, showing our new design;  
FIG. 2 is a front elevation view thereof.  
FIG. 3 is a left elevation view thereof.  
FIG. 4 is a right elevation view thereof.  
FIG. 5 is a top plan view thereof.  
FIG. 6 is a bottom plan view thereof.  
FIG. 7 is a back elevation view thereof.  
FIG. 8 is a zoom in view of the light pipe around the customer facing kiosk; and,  
FIG. 9 is a perspective view of an alternative embodiment of the customer facing kiosk with a side attachment, in which other views remain the same as in prior figures.

**1 Claim, 5 Drawing Sheets**

(72) Inventors: **Llavanya Fernando**, San Jose, CA (US); **Neschae Fernando**, San Jose, CA (US); **Ranjan Kulathunga**, Kandy (LK); **Niroshan Karunaratne**, Ragama (LK); **Pubudu Karunaratna**, Colombo (LK); **Warnakulasooriya Manjulal Waas**, Moratuwa (LK); **Dilan Chamara Weekakkody**, Mathugama (LK); **Timothy Anthony Becerra**, San Leandro, CA (US); **Sankalpa Gamwarige**, Colombo (LK); **Asanka Alwis**, Mount Lavinia (LK)

(\*\*) Term: **15 Years**

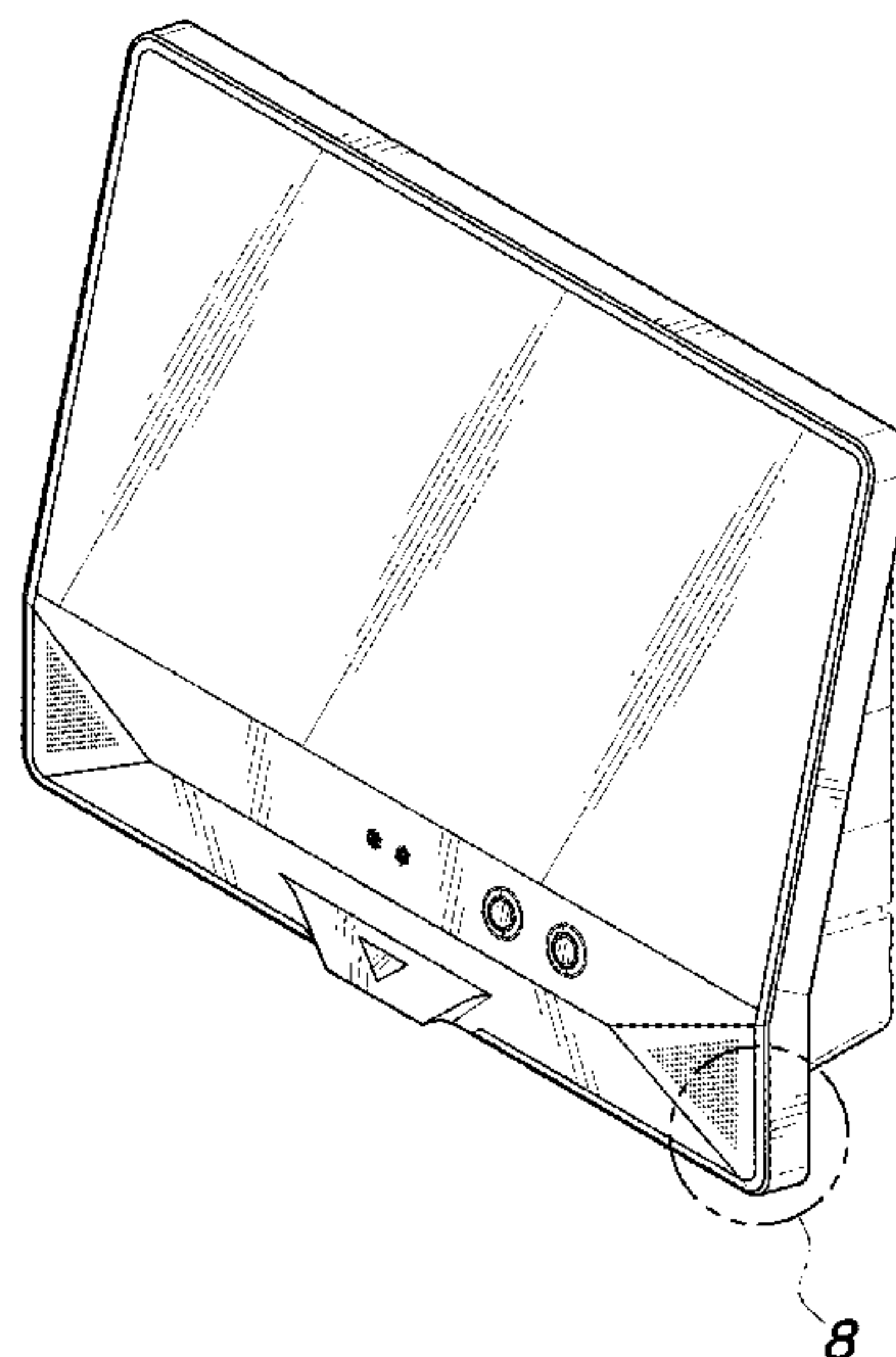
(21) Appl. No.: **29/614,269**

(22) Filed: **Aug. 17, 2017**

(51) **LOC (12) Cl.** ..... **14-02**

(52) **U.S. Cl.**  
USPC ..... **D14/307**

(58) **Field of Classification Search**  
USPC ..... D14/302–307, 900–902; D13/163;  
D20/10; D21/332, 325, 369, 370;  
D99/28; D6/397, 466; 194/206;  
361/679.01, 679.02, 679.04, 679.21,  
361/679.57, 725



(56)

**References Cited**

U.S. PATENT DOCUMENTS

D721,695 S *	1/2015	Birgeoglu .....	D14/307
D734,314 S *	7/2015	Swaine .....	D14/307
D751,061 S *	3/2016	Berini .....	D14/307
D762,635 S *	8/2016	Szeredi .....	D14/307
D763,247 S *	8/2016	Yepez .....	D14/307
D782,466 S *	3/2017	Yepez .....	D14/307
D806,698 S *	1/2018	Thompson .....	D14/307
D816,077 S *	4/2018	Benic .....	D14/307
D824,895 S *	8/2018	Tivnon .....	D14/314
D829,704 S *	10/2018	Oross .....	D14/307
D831,639 S *	10/2018	Terry .....	D14/307
D842,296 S *	3/2019	Oross .....	D14/307

\* cited by examiner

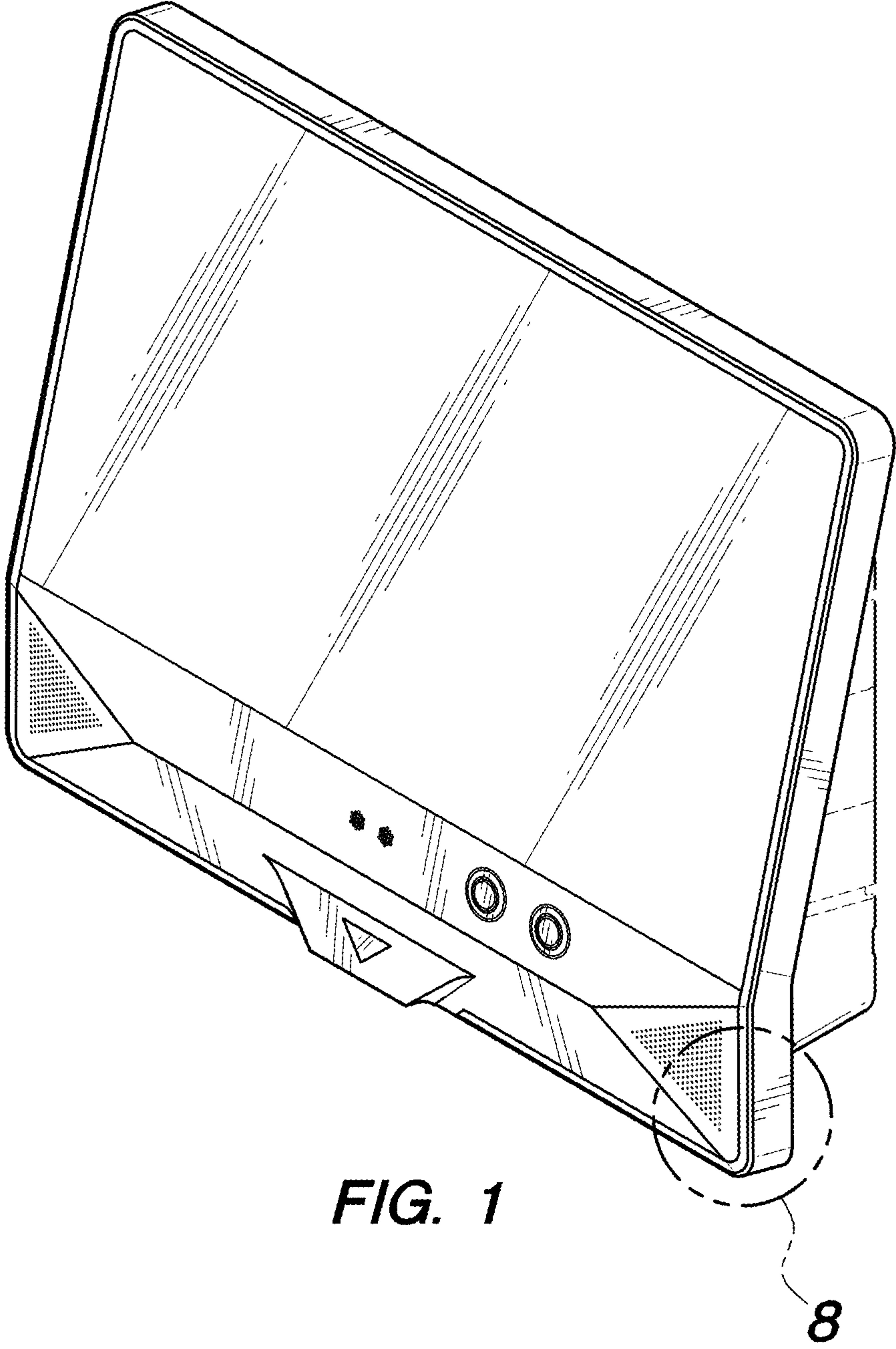
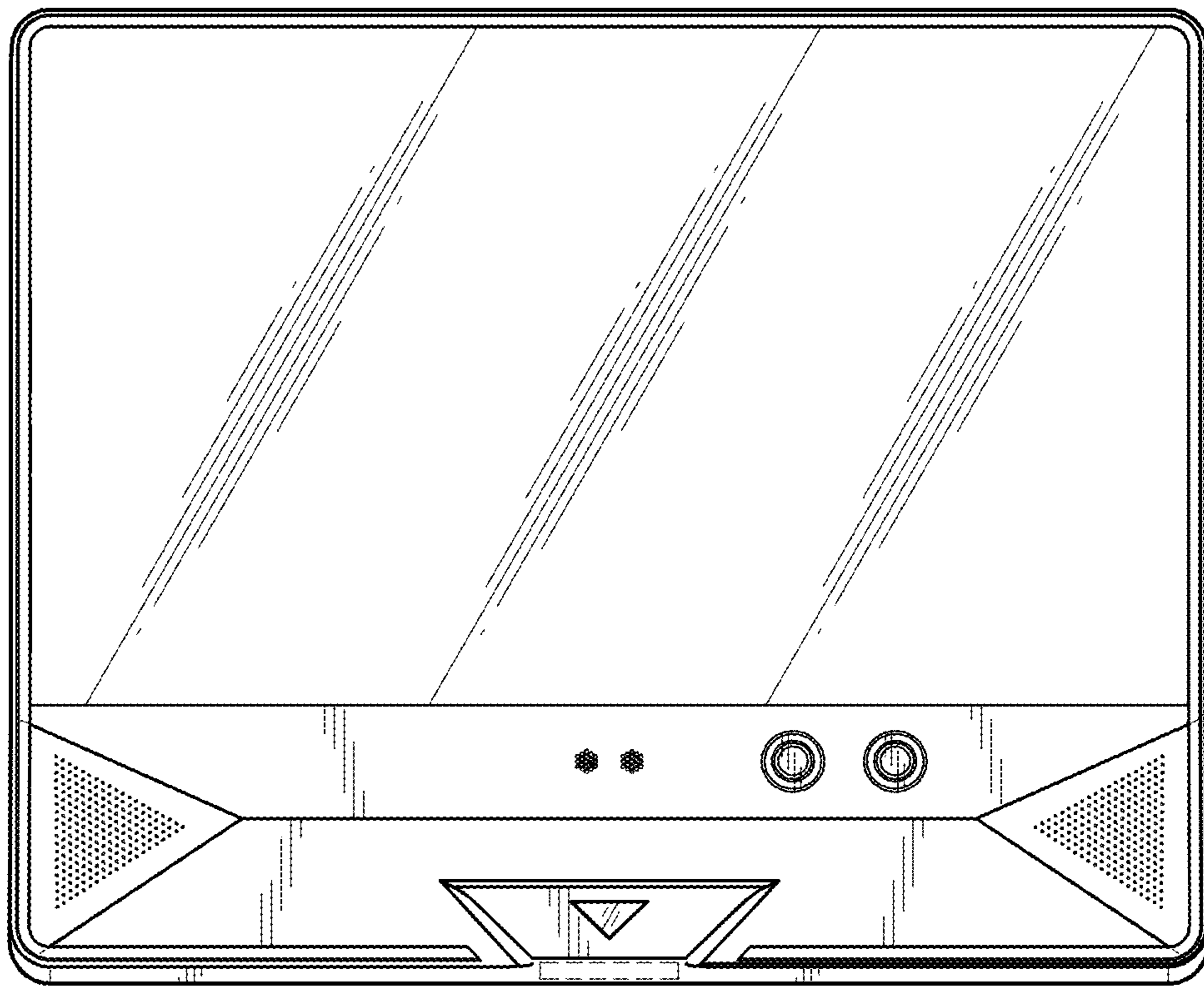
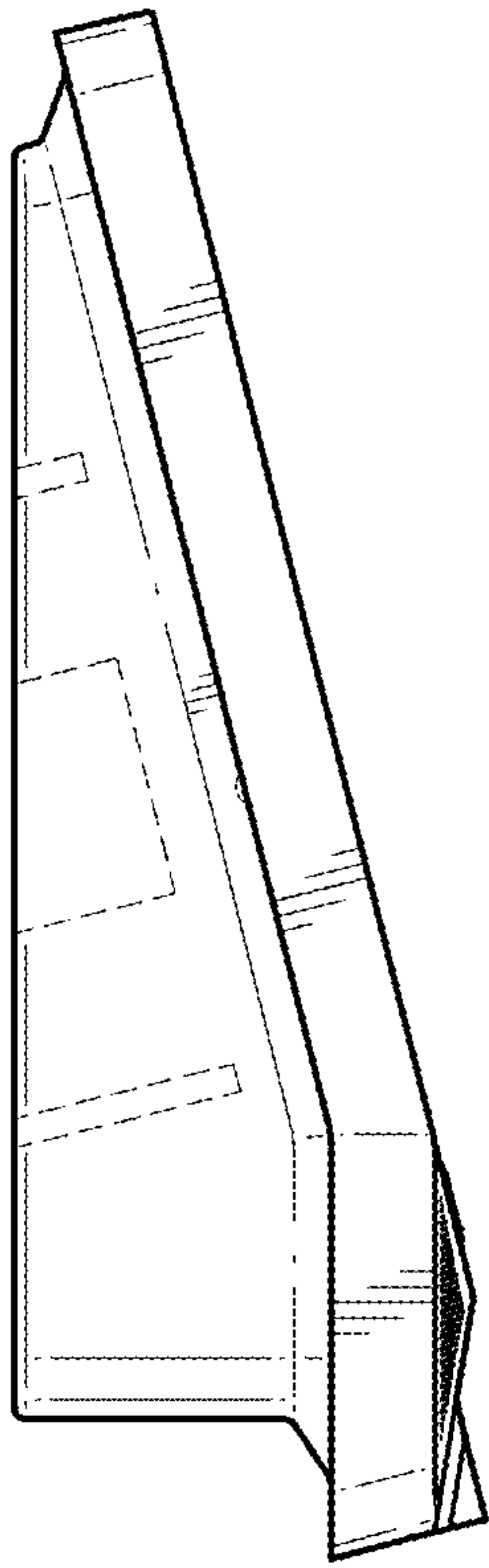


FIG. 1

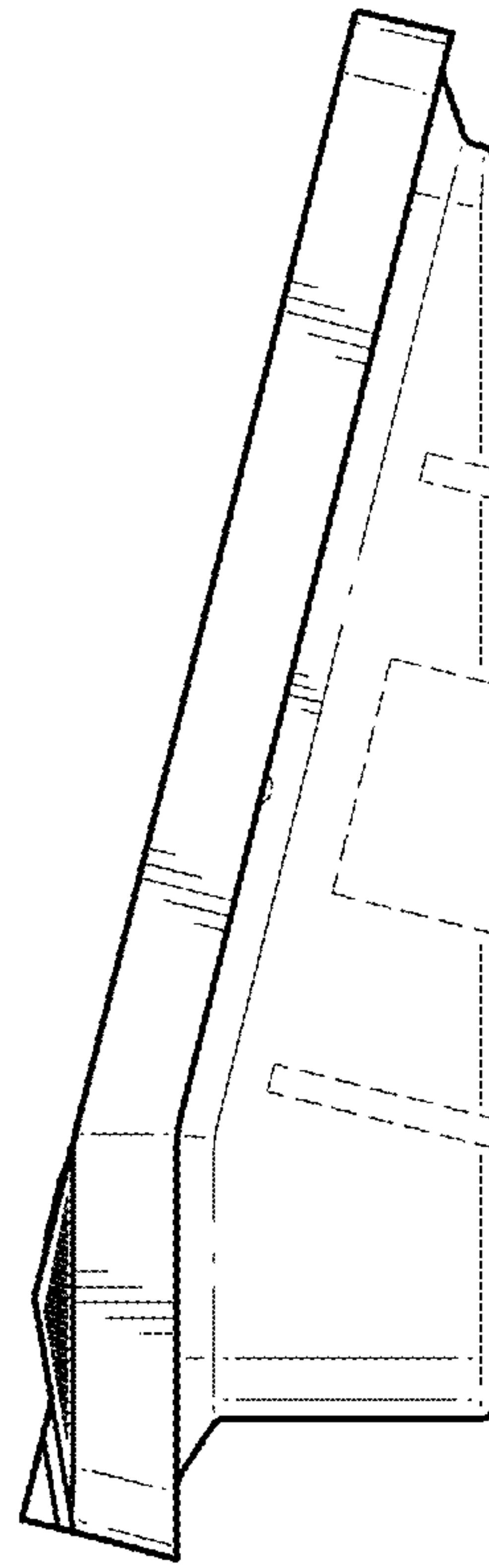


**FIG. 2**

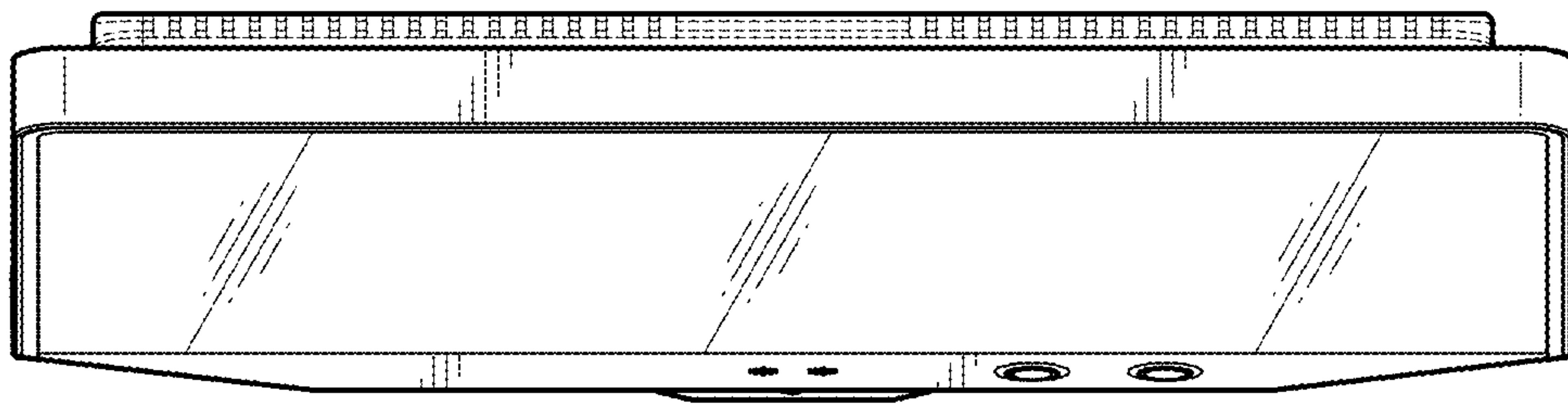




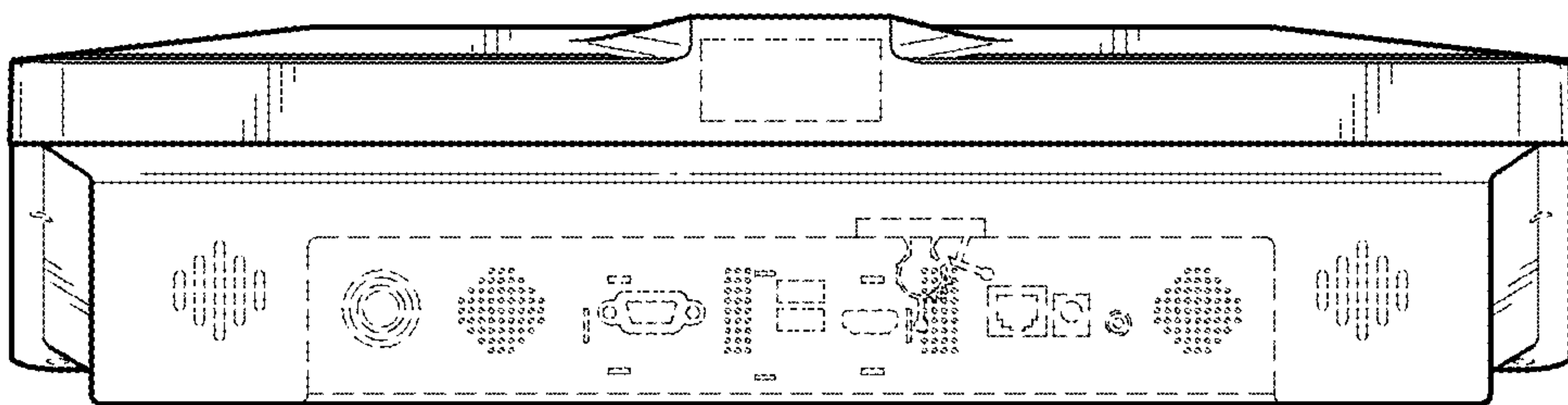
**FIG. 3**



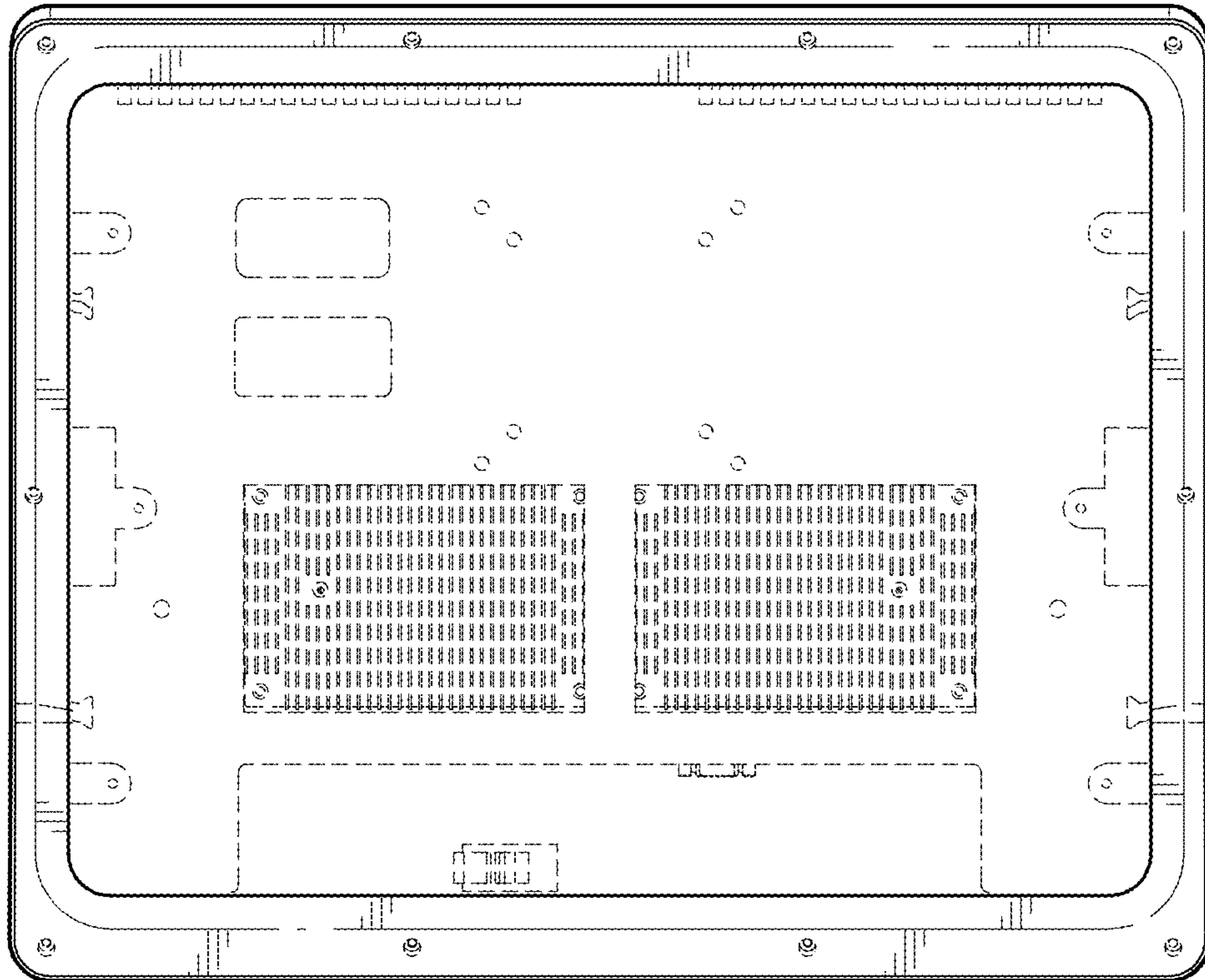
**FIG. 4**



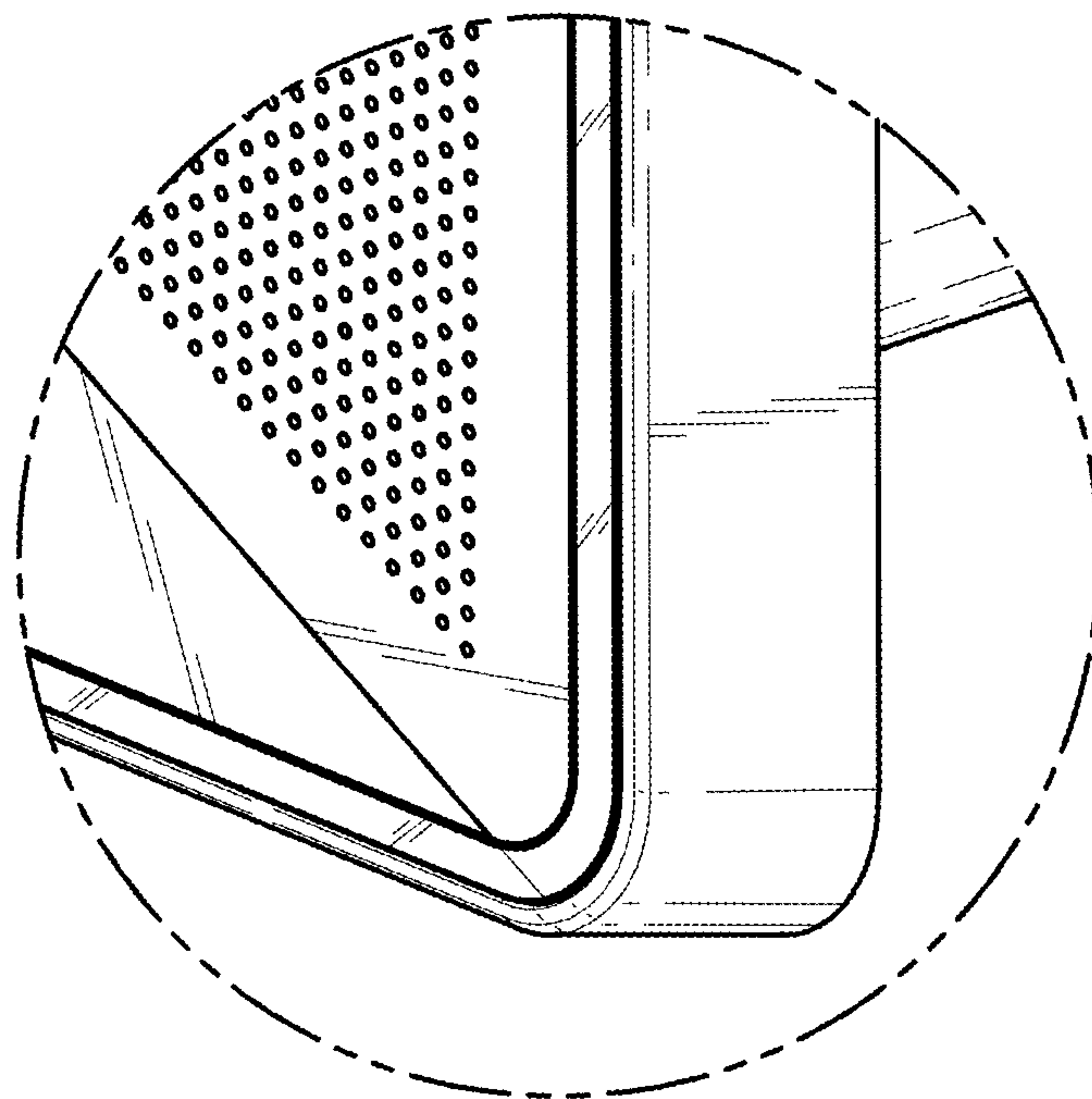
**FIG. 5**



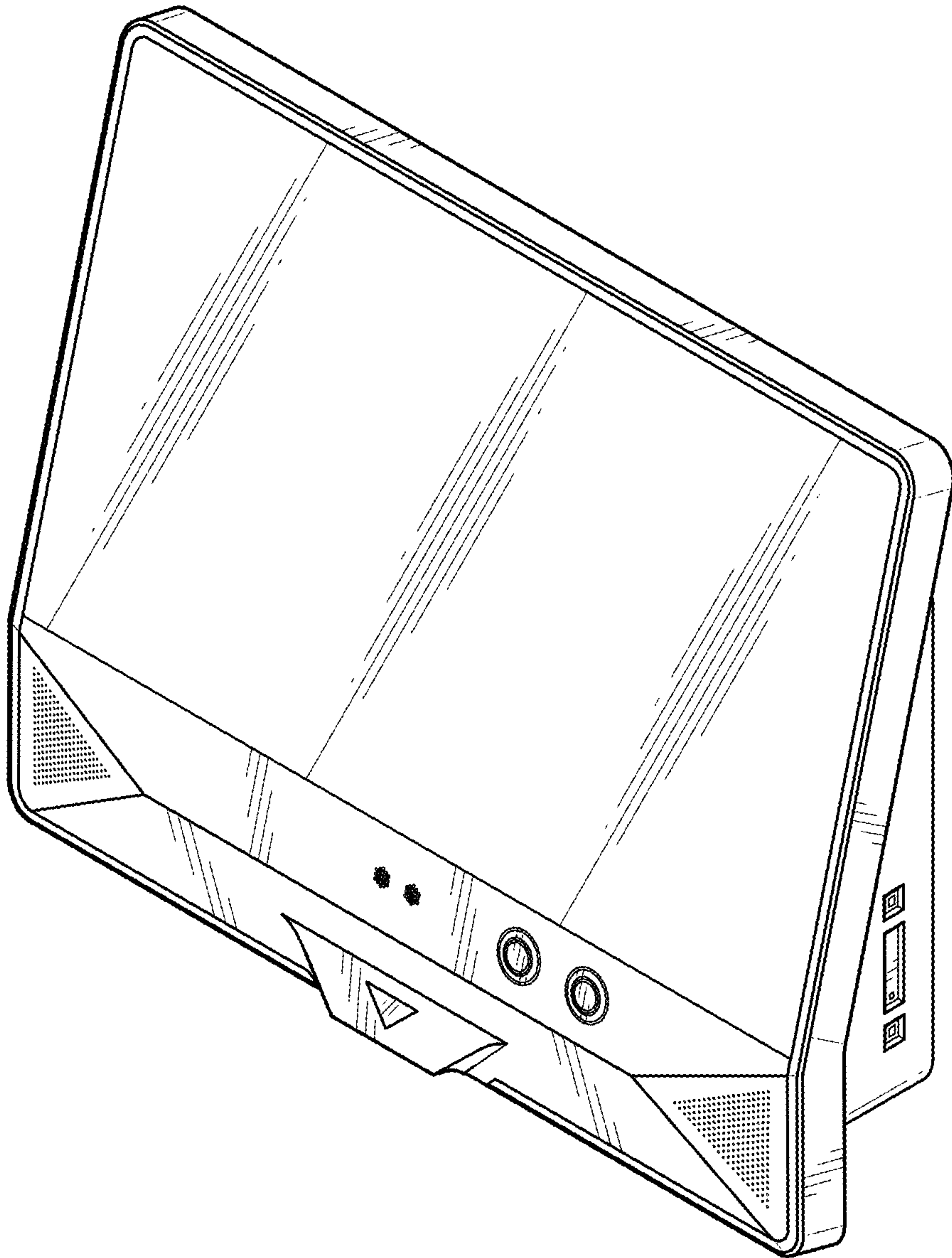
**FIG. 6**



**FIG. 7**



**FIG. 8**



**FIG. 9**