



US00D873261S

(12) **United States Design Patent** (10) **Patent No.:** **US D873,261 S**
Yin (45) **Date of Patent:** **** Jan. 21, 2020**

(54) **MOBILE PHONE HOLDER FOR VEHICLE**

D840,999 S 2/2019 Hu
D852,116 S 6/2019 Jun
D864,092 S * 10/2019 Zhang D12/415

(71) Applicant: **Shenzhen Bode Electronic Technology Co., Ltd.**, Shenzhen (CN)

* cited by examiner

(72) Inventor: **Xiaolin Yin**, Shenzhen (CN)

Primary Examiner — Janice Hallmark

(**) Term: **15 Years**

(74) *Attorney, Agent, or Firm* — KA Filing LLC; Wayne V. Harper

(21) Appl. No.: **29/704,150**

(57) **CLAIM**

(22) Filed: **Sep. 3, 2019**

I claim the ornamental design for a mobile phone holder for vehicle, as shown and described.

(51) **LOC (12) Cl.** **14-03**

(52) **U.S. Cl.**
USPC **D14/253**

DESCRIPTION

(58) **Field of Classification Search**
USPC D14/251–253 J, 440, 447; D12/415; D8/354
CPC F16M 13/00; F16M 2200/00
See application file for complete search history.

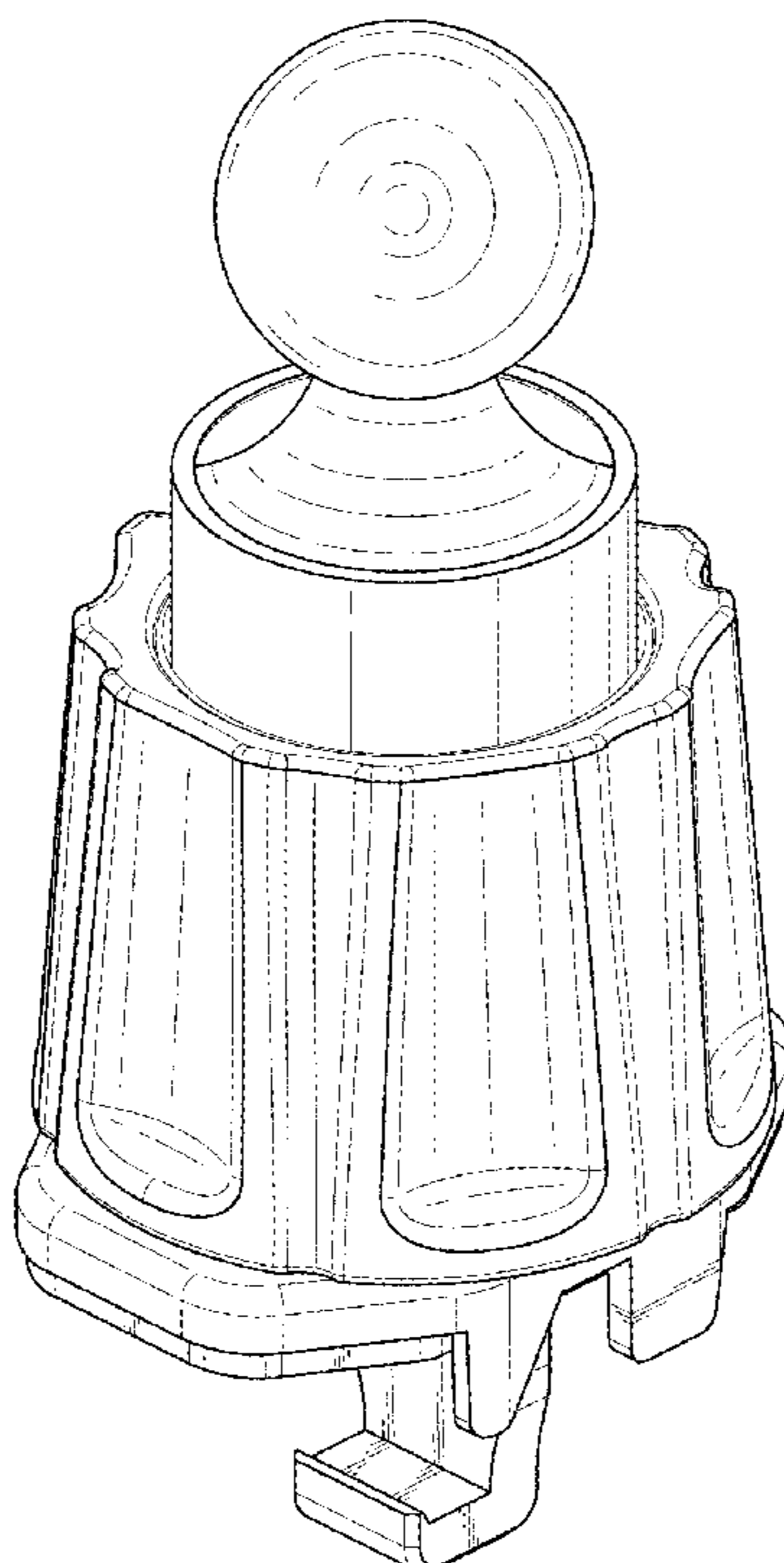
FIG. 1 is a Perspective view of a mobile phone holder for vehicle showing my new design;
FIG. 2 is other perspective of the mobile phone holder for vehicle as shown in FIG. 1;
FIG. 3 is another perspective view of the mobile phone holder for vehicle as shown in FIG. 1;
FIG. 4 is a Front view of the mobile phone holder for vehicle as shown in FIG. 1;
FIG. 5 is a Back view of the mobile phone holder for vehicle as shown in FIG. 1;
FIG. 6 is a Right-side view of the mobile phone holder for vehicle as shown in FIG. 1;
FIG. 7 is a Left-side view of the mobile phone holder for vehicle as shown in FIG. 1;
FIG. 8 is a Top view of the mobile phone holder for vehicle as shown in FIG. 1; and,
FIG. 9 is a Bottom view of the mobile phone holder for vehicle as shown in FIG. 1.

(56) **References Cited**

U.S. PATENT DOCUMENTS

- D588,903 S * 3/2009 Carnevali D8/355
- D590,696 S * 4/2009 Carnevali D8/354
- D619,586 S 7/2010 Richter
- D657,783 S * 4/2012 Mo D14/251
- D732,519 S * 6/2015 Aspinall D14/253
- D733,116 S * 6/2015 Aspinall D14/253
- D748,615 S 2/2016 Lee et al.
- D781,297 S * 3/2017 Liao D14/447
- D783,013 S * 4/2017 Chun D14/253
- D792,418 S * 7/2017 Stener D14/451
- D799,466 S * 10/2017 Sukphist D14/253
- D803,674 S * 11/2017 Carnevali D8/382
- D806,064 S 12/2017 Lee
- D826,918 S * 8/2018 Lebovitz D14/253

1 Claim, 9 Drawing Sheets



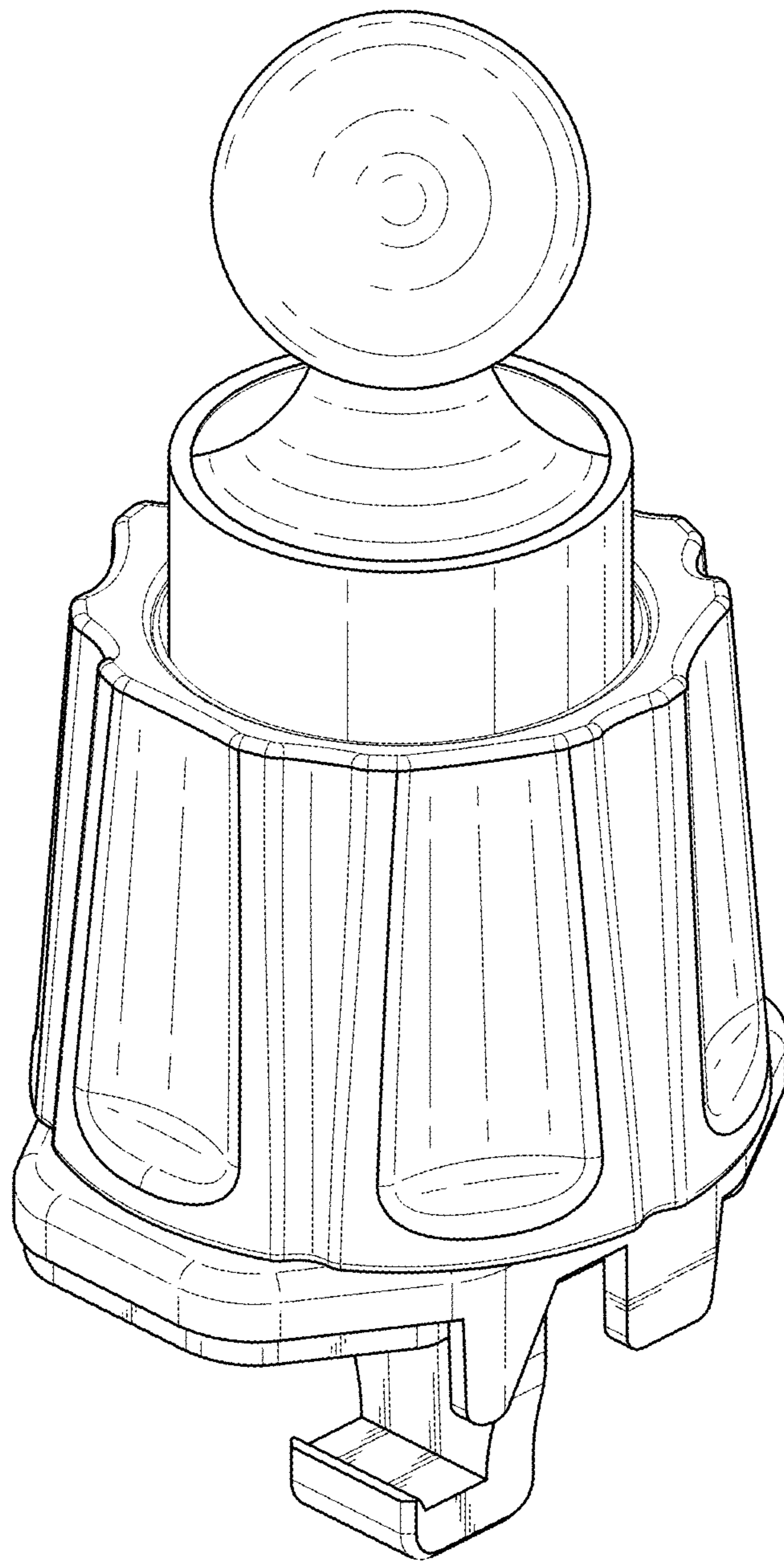


FIG. 1

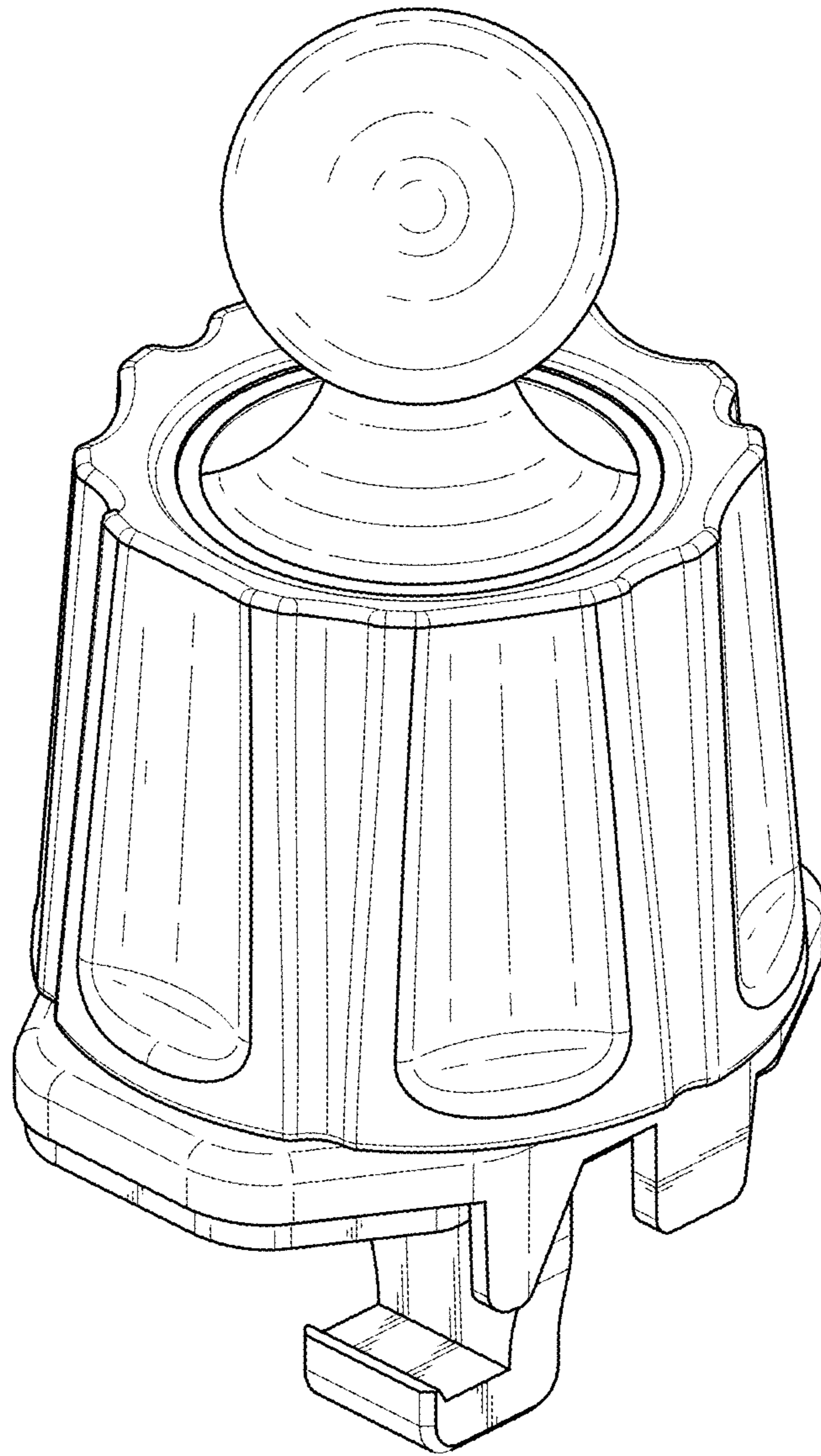


FIG. 2

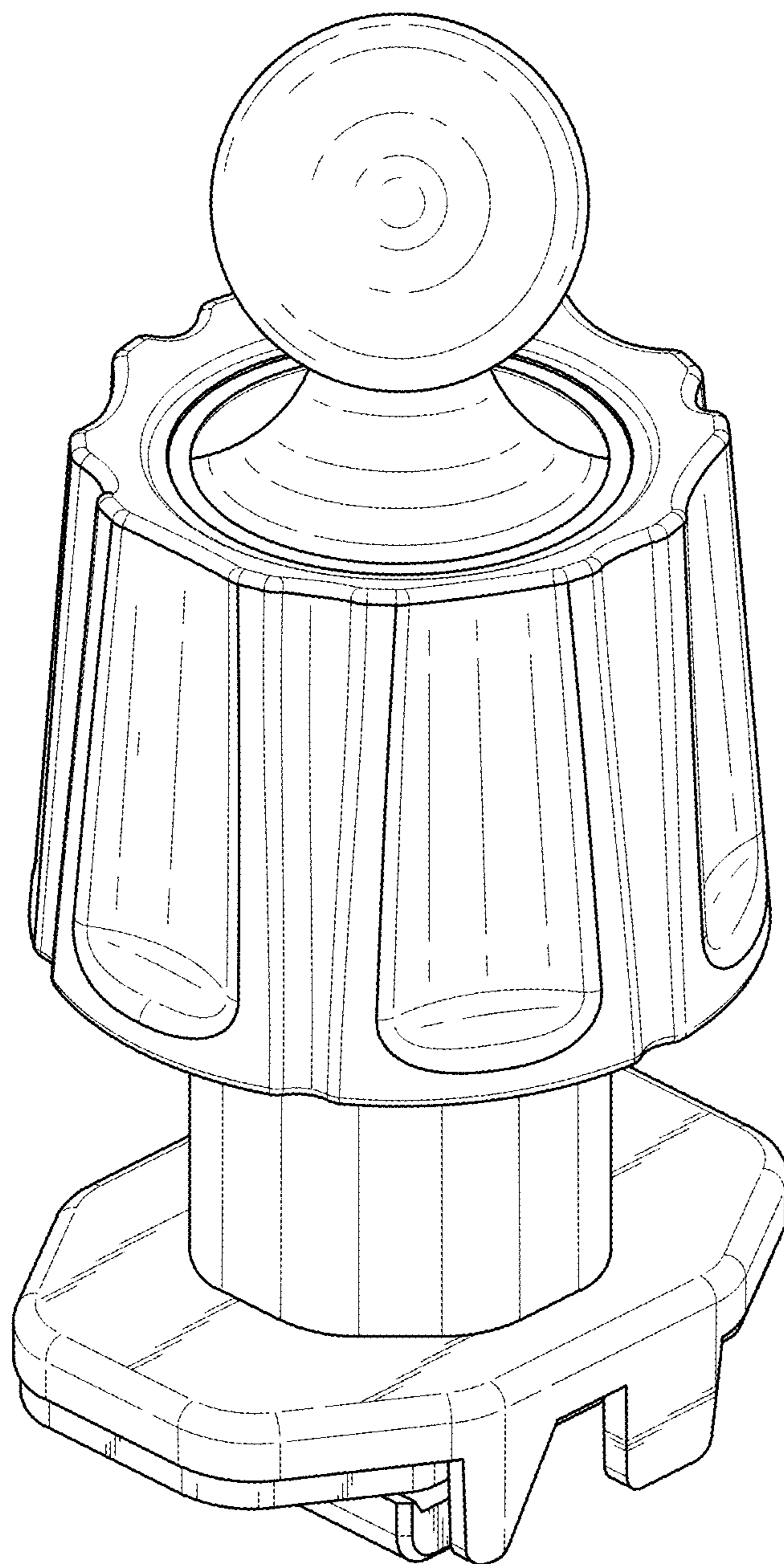


FIG. 3

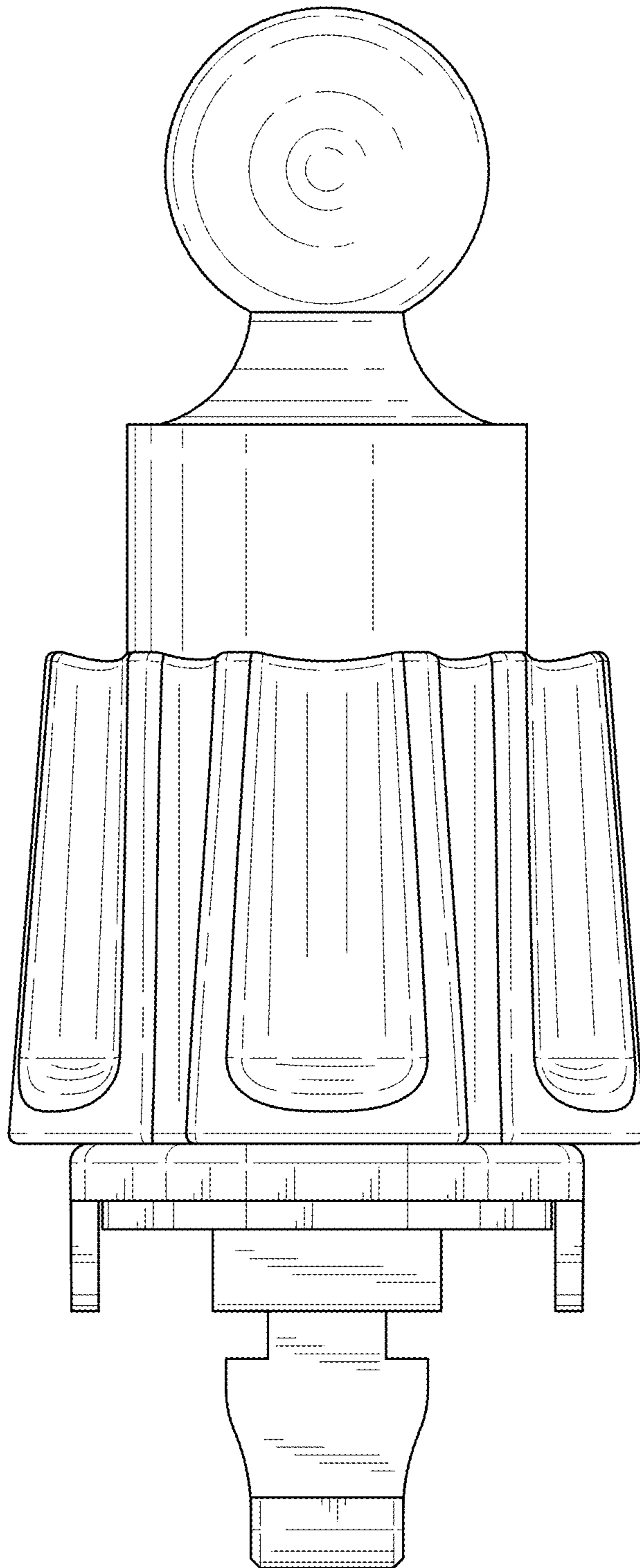


FIG. 4

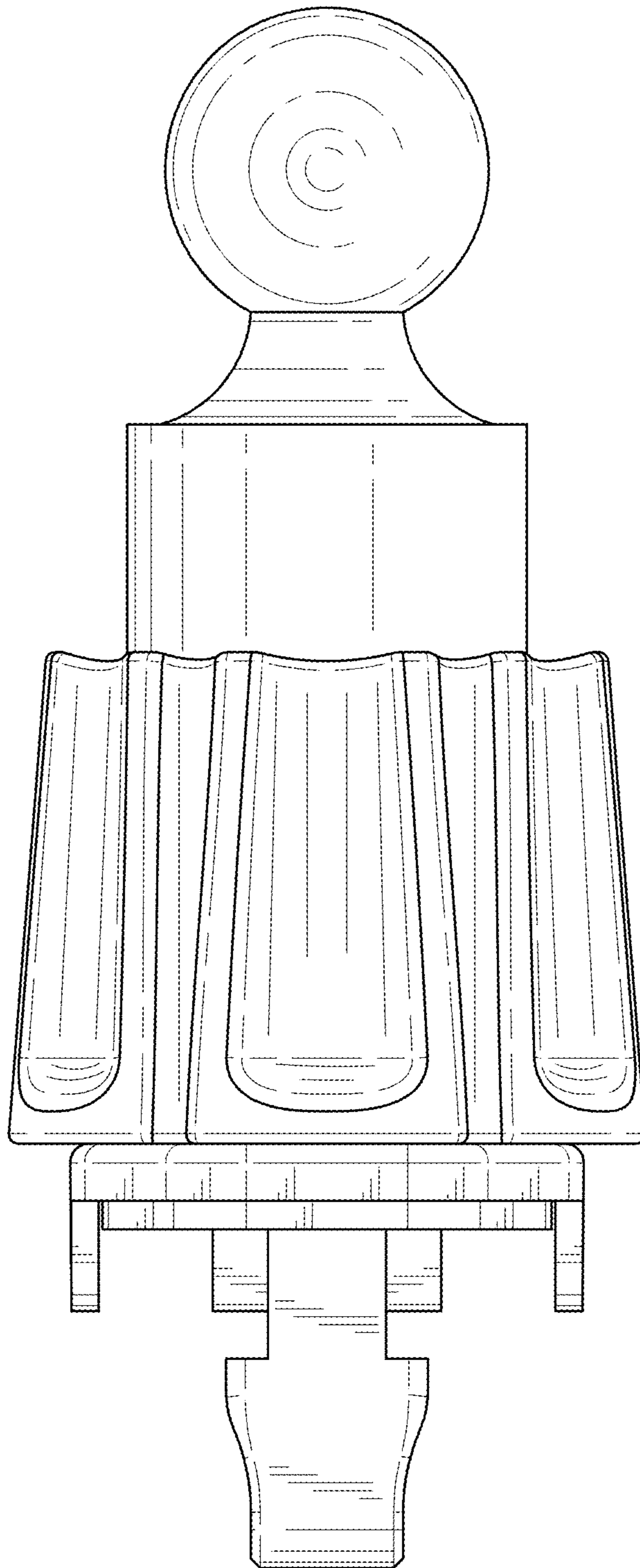


FIG. 5

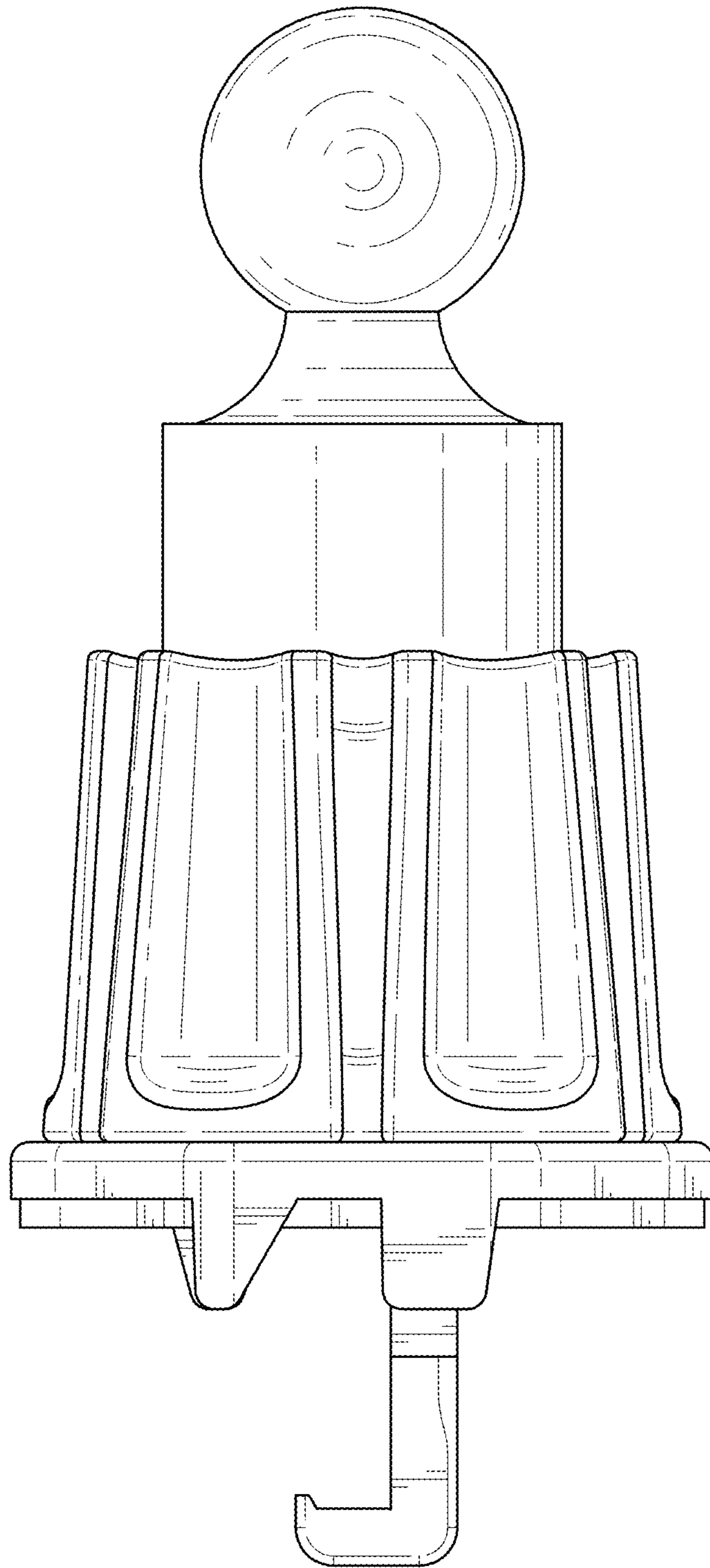


FIG. 6

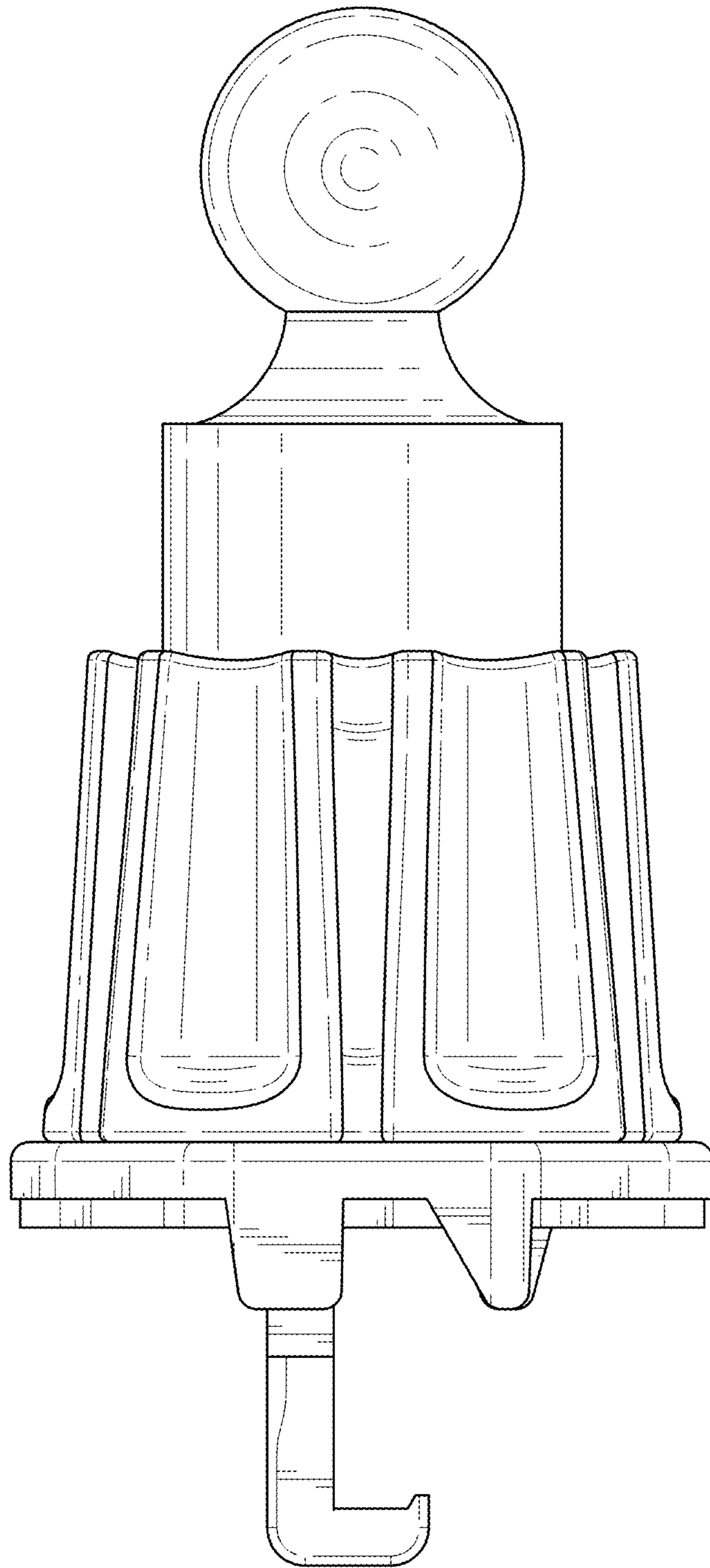


FIG. 7

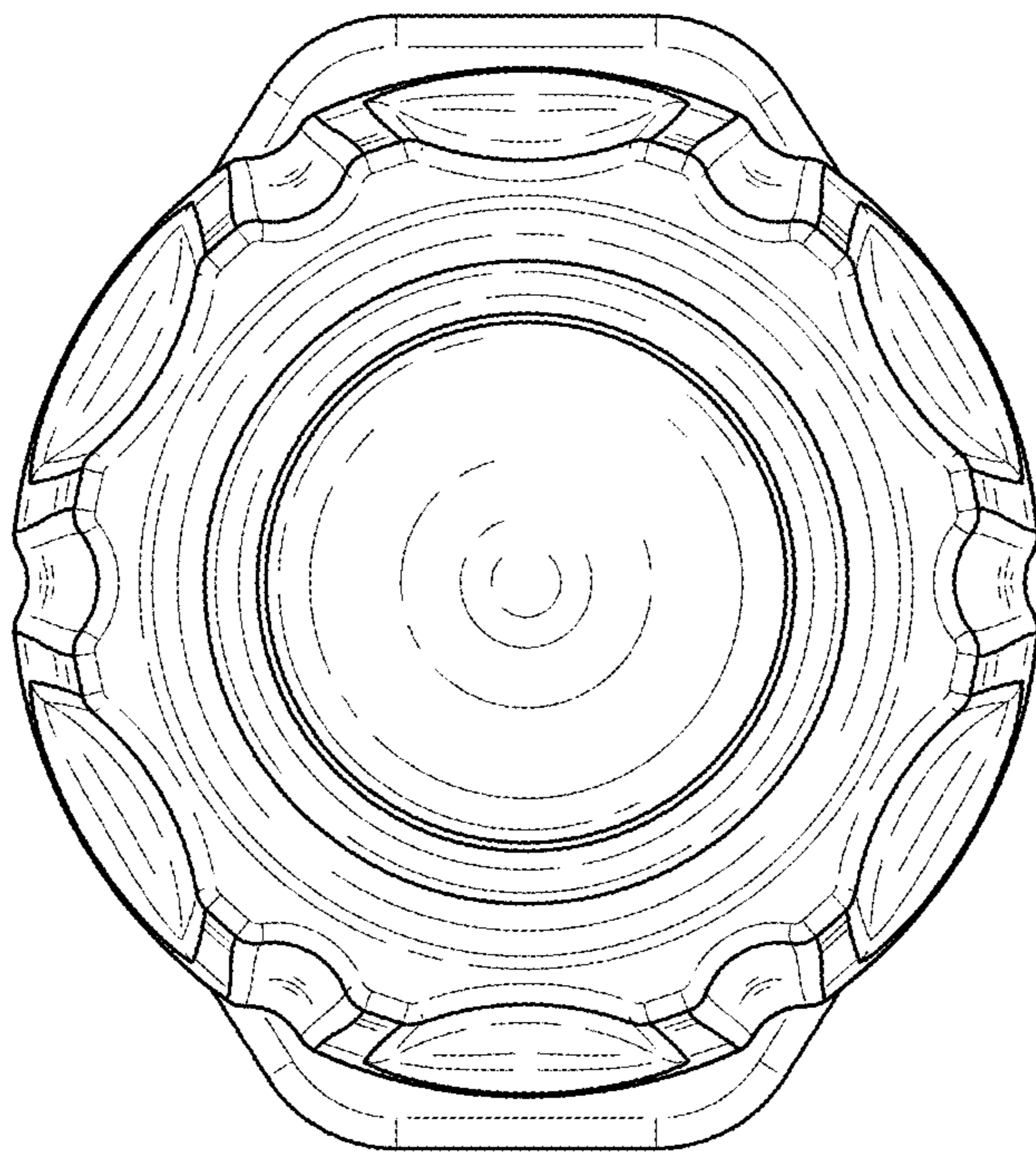


FIG. 8

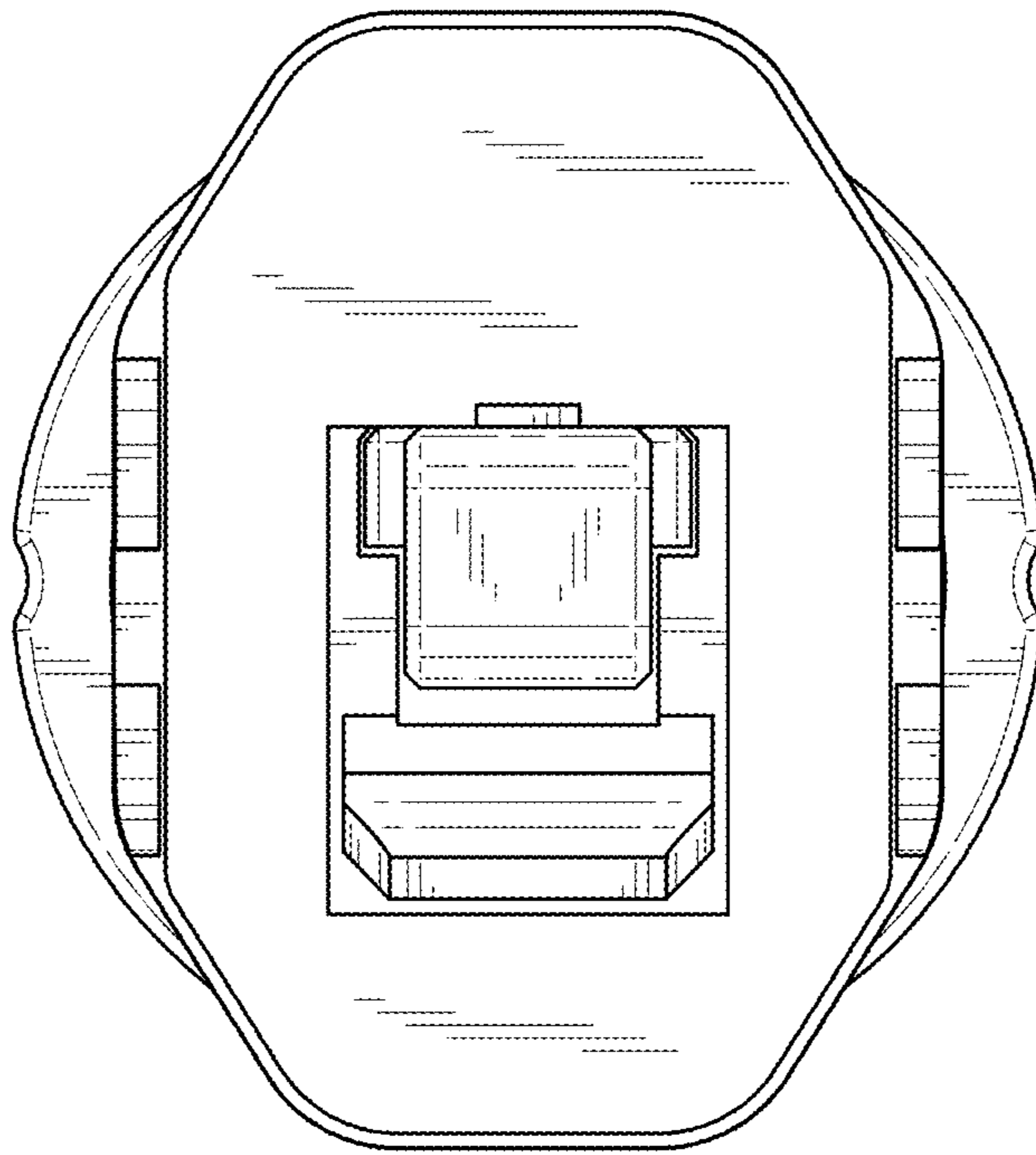


FIG. 9