



US00D873260S

(12) **United States Design Patent**  
**Dang et al.**

(10) **Patent No.:** **US D873,260 S**  
(45) **Date of Patent:** **\*\* Jan. 21, 2020**

(54) **MOUNT FOR ELECTRONIC DEVICE**

(71) Applicant: **mophie inc.**, Tustin, CA (US)  
(72) Inventors: **Dat Minh Dang**, Westminster, CA (US); **Nguyen To**, Corona, CA (US)  
(73) Assignee: **mophie inc.**, Irvine, CA (US)  
(\*\*) Term: **15 Years**

(21) Appl. No.: **29/654,350**

(22) Filed: **Jun. 22, 2018**

(51) **LOC (12) Cl.** ..... **14-99**

(52) **U.S. Cl.**  
USPC ..... **D14/253**; D12/415

(58) **Field of Classification Search**  
USPC ..... D14/250–254, 217, 224, 224.1, 238.1, D14/299, 434, 447, 451–452, 483; D12/400, 415–426, 426.1, 114, 223; D16/242, 245; D10/74; D3/218; D13/107, 108; D8/363, 382, 387  
CPC ..... B60R 11/00; B60R 11/02; B60R 11/0241; B60R 11/0252; B60R 2011/0003; B60R 2011/0005; B60R 2011/0008; H04M 1/04; H04B 1/3877; A45F 2200/0516; A45F 2200/0525; H05K 5/0204; F16M 13/02; F16M 13/022; F16M 11/04; F16M 11/041; F16M 11/14; F16M 11/22; F16B 2/12; H01F 7/0252; G03B 17/561  
See application file for complete search history.

(56) **References Cited**

**U.S. PATENT DOCUMENTS**

D277,662 S 2/1985 Huntington et al.  
5,039,929 A 8/1991 Veistroffer et al.  
D345,728 S 4/1994 Tyneski et al.  
D350,540 S 9/1994 Hyvonen  
D361,069 S 8/1995 Hellier et al.

(Continued)

**FOREIGN PATENT DOCUMENTS**

JP 1379870 2/2010  
KR 10-2004-0093848 11/2004

(Continued)

**OTHER PUBLICATIONS**

Mophie Wireless Charging Vent Mount, online, no post date, URL: <https://www.apple.com/shop/product/HMBB2ZM/A/mophie-wireless-charging-vent-mount>, retrieved Sep. 9, 2019.\*

(Continued)

*Primary Examiner* — Jeffrey D Asch  
*Assistant Examiner* — Rebekah A Caruso

(74) *Attorney, Agent, or Firm* — Knobbe, Martens, Olson & Bear, LLP

(57) **CLAIM**

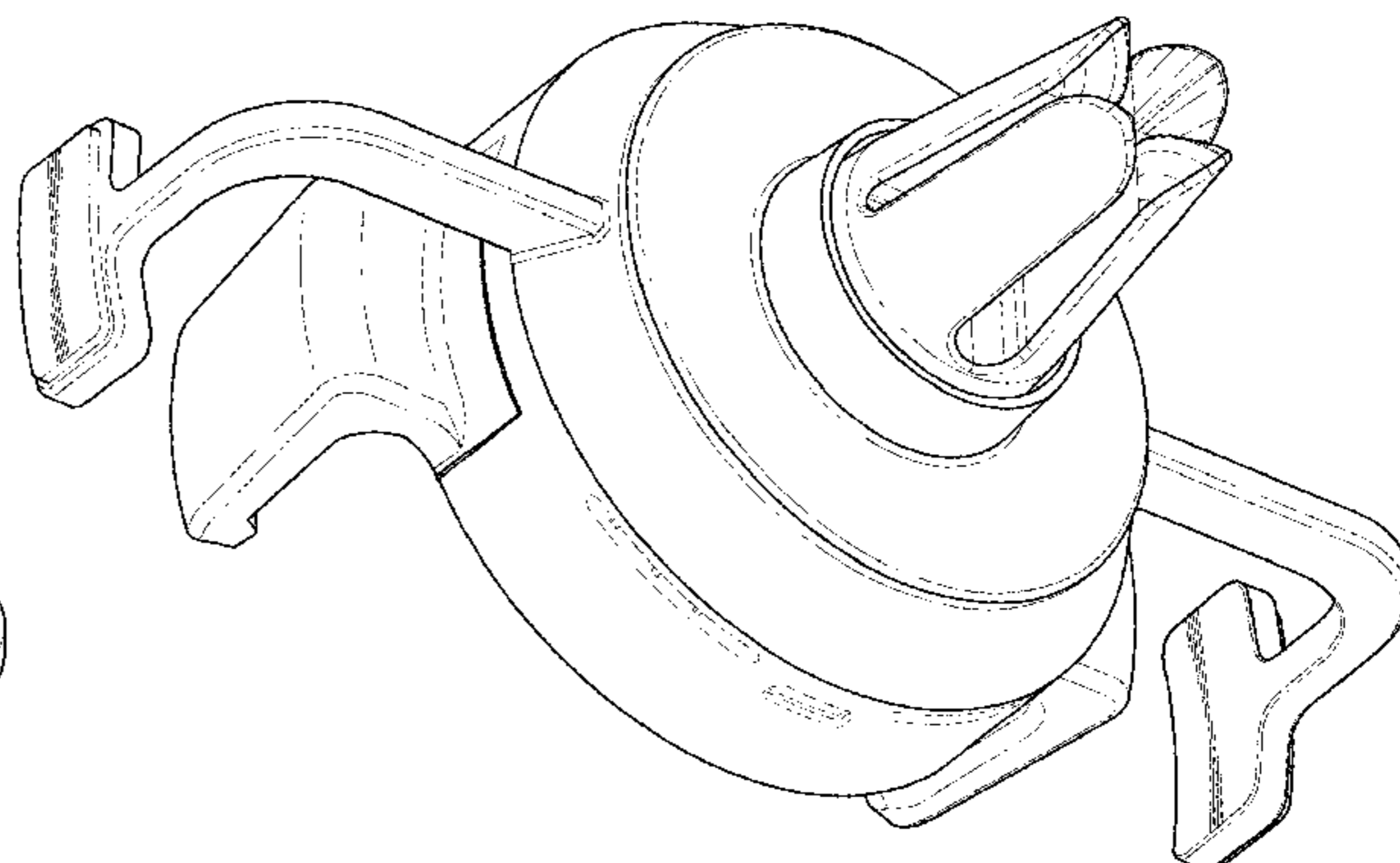
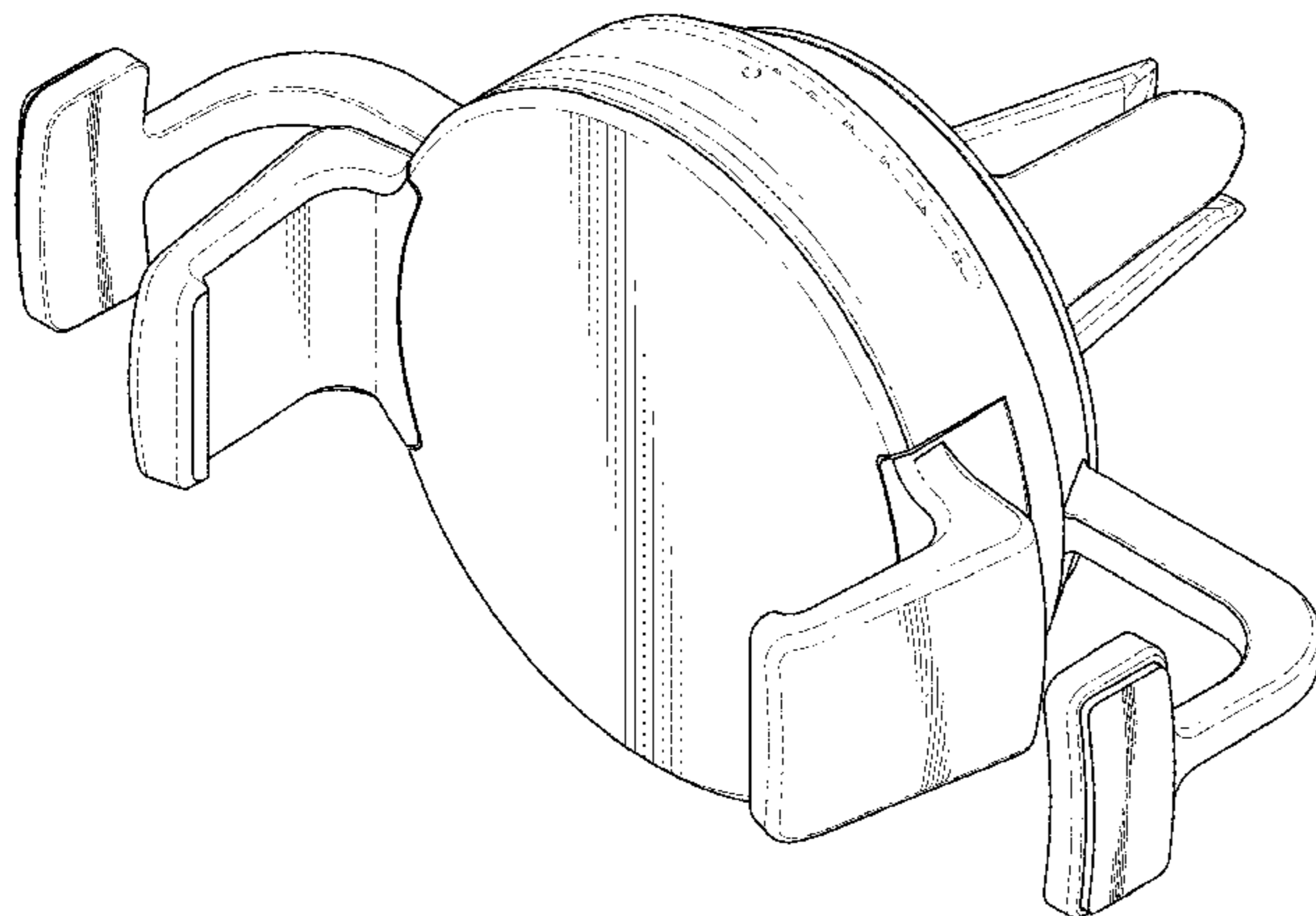
The ornamental design for a mount for electronic device, as shown and described.

**DESCRIPTION**

FIG. 1 is a top-front perspective view of the design for a mount for electronic device;  
FIG. 2 is a bottom-rear perspective view thereof;  
FIG. 3 is a front view thereof;  
FIG. 4 is a rear view thereof;  
FIG. 5 is a left-side view thereof;  
FIG. 6 is a right-side view thereof;  
FIG. 7 is a top view thereof; and,  
FIG. 8 is a bottom view thereof.  
The broken line portions in the drawings are shown to illustrate environment only and form no part of the claimed design.

The ornamental design for a mount for electronic device can be configured for use in a vehicle. For example, the mount can be configured to be coupled to a vent, such as on an automobile. The mount can hold a phone, smartphone, or other mobile electronic device.

**1 Claim, 8 Drawing Sheets**





(56)

References Cited

U.S. PATENT DOCUMENTS

D369,344 S 4/1996 Lindeman et al.  
 D411,544 S 6/1999 Richter  
 D413,097 S 8/1999 Chang  
 5,946,637 A 8/1999 Umbach et al.  
 D413,607 S 9/1999 Lindahl  
 D442,939 S 5/2001 Goldenburg  
 D458,266 S 6/2002 Herath  
 D460,446 S 7/2002 Hughes et al.  
 D463,361 S 9/2002 Ruohonen  
 D501,205 S 1/2005 Quinn  
 D520,447 S 5/2006 Liu  
 D533,499 S 12/2006 Suzuki  
 D535,614 S 1/2007 Majanen et al.  
 7,158,092 B2 1/2007 Shen  
 D545,614 S 7/2007 Majanen et al.  
 D566,590 S 4/2008 Stevens et al.  
 D570,836 S \* 6/2008 Chen ..... D14/253  
 D585,897 S 2/2009 Carnevali  
 7,492,579 B2 2/2009 Homer et al.  
 D592,188 S 5/2009 Huang  
 7,532,466 B2 5/2009 Kobayashi et al.  
 7,542,052 B2 6/2009 Solomon et al.  
 D602,913 S 10/2009 Han et al.  
 D605,588 S 12/2009 Nomi et al.  
 D608,350 S 1/2010 Bo  
 D614,613 S 4/2010 Kim et al.  
 D620,931 S 8/2010 Opman  
 D623,132 S 9/2010 Yano  
 D623,638 S 9/2010 Richardson et al.  
 D623,639 S 9/2010 Richardson et al.  
 D625,729 S 10/2010 McNames et al.  
 D626,439 S 11/2010 Lee et al.  
 D626,541 S 11/2010 Kim et al.  
 D626,964 S 11/2010 Richardson et al.  
 D629,315 S 12/2010 McAlpine et al.  
 D629,355 S 12/2010 Bodley et al.  
 D634,304 S 3/2011 Andre et al.  
 D638,414 S 5/2011 Magness et al.  
 D639,286 S 6/2011 Mohoney  
 D639,816 S 6/2011 Bau  
 D640,707 S 6/2011 Yeh  
 D643,030 S 8/2011 Cheng et al.  
 D643,423 S 8/2011 Smith et al.  
 D643,433 S 8/2011 Hsieh et al.  
 D645,033 S 9/2011 Quong et al.  
 D647,907 S 11/2011 Perry et al.  
 D648,339 S 11/2011 O'Neil et al.  
 D656,930 S 4/2012 Son  
 D657,741 S 4/2012 Fahrenдорff et al.  
 D660,794 S 5/2012 Fahrenдорff et al.  
 D662,470 S 6/2012 Smith et al.  
 8,240,628 B2 8/2012 Huang  
 8,295,652 B1 10/2012 Newstead  
 D670,703 S 11/2012 Hasbrook et al.  
 D671,950 S \* 12/2012 Richter ..... D14/447  
 8,369,082 B2 2/2013 Madonna et al.  
 D682,780 S 5/2013 Brown  
 D685,321 S 7/2013 Smith et al.  
 D690,707 S 10/2013 Minn et al.  
 D696,241 S 12/2013 Paugh et al.  
 D696,259 S \* 12/2013 Howarth ..... D14/447  
 8,616,327 B1 12/2013 Palacios  
 D703,657 S \* 4/2014 Carnevali ..... D14/253  
 D704,199 S \* 5/2014 Byun ..... D14/447  
 8,724,837 B2 5/2014 Crooijmans et al.  
 D707,673 S 6/2014 Lan  
 D709,066 S \* 7/2014 Byun ..... D14/253  
 D712,394 S \* 9/2014 Booth ..... D14/253  
 D713,398 S \* 9/2014 Alesi ..... D14/253  
 D721,649 S 1/2015 Tsai  
 D722,056 S 2/2015 Nguyen et al.  
 D726,175 S 4/2015 Tsai et al.  
 D750,633 S \* 3/2016 Minn ..... D14/447  
 9,274,556 B2 3/2016 Gallouzi et al.  
 D766,908 S \* 9/2016 Richter ..... D14/447

D780,168 S \* 2/2017 Du ..... D14/253  
 D782,462 S \* 3/2017 Huang ..... D14/253  
 D783,592 S \* 4/2017 Ju ..... D14/253  
 D783,593 S \* 4/2017 Chen ..... D14/253  
 D796,421 S \* 9/2017 Huang ..... D12/415  
 D802,404 S \* 11/2017 Turksu ..... D8/373  
 D807,339 S \* 1/2018 Lan ..... D14/253  
 D826,225 S \* 8/2018 Chen ..... D14/253  
 D834,583 S \* 11/2018 Janzen ..... D14/447  
 D845,961 S \* 4/2019 Yao ..... D14/447  
 D852,188 S \* 6/2019 He ..... D14/253  
 D858,509 S \* 9/2019 Yao ..... D14/253  
 D859,286 S \* 9/2019 He ..... D12/415  
 2006/0221565 A1 10/2006 Doherty et al.  
 2008/0157716 A1 7/2008 Jo  
 2009/0160399 A1 6/2009 Woud  
 2009/0160400 A1 6/2009 Woud  
 2010/0062615 A1 3/2010 Prest  
 2010/0078343 A1 4/2010 Hoellwarth et al.  
 2011/0069445 A1 3/2011 Haren et al.  
 2012/0194132 A1 8/2012 Ikegame  
 2013/0050933 A1 2/2013 Prest  
 2013/0058036 A1 3/2013 Holzer et al.  
 2013/0217448 A1 8/2013 Kim et al.  
 2013/0241470 A1 9/2013 Kim  
 2015/0098184 A1 4/2015 Tsai et al.  
 2016/0318455 A1 \* 11/2016 Zhang ..... F16M 11/105  
 2017/0035172 A1 \* 2/2017 Kim ..... A45C 13/1069

FOREIGN PATENT DOCUMENTS

KR 30-0629517 1/2012  
 TW D132908 1/2010  
 WO DM061043 8/2002  
 WO 2011/139051 11/2011  
 WO 2015/054242 4/2015

OTHER PUBLICATIONS

“Mophie Unveils New Wireless Charging Mount, Stand, and Powerbank,” Mophie Charge Stream Vent Mount pictured therein, post date Sep. 1, 2018, URL: <https://www.redmondpie.com/mophie-unveils-new-wireless-charging-mount-stand-and-powerbank/>, retrieved Sep. 9, 2019.\*  
 U.S. Appl. No. 29/438,896, filed Dec. 4, 2013, Denny Tsai.  
 U.S. Appl. No. 29/438,221, filed Nov. 27, 2012, Denny Tsai.  
 U.S. Appl. No. 29/632,207, filed Jan. 5, 2018, Dang et al.  
 U.S. Appl. No. 29/654,363, filed Jun. 22, 2018.  
 International Search Report and Written Opinion of the International Searching Authority for PCT/US2012/020370, dated May 29, 2012.  
 International Search Report and Written Opinion of the International Searching Authority for PCT/US2014/059483, dated Jan. 15, 2015.  
 International Preliminary Report on Patentability for PCT/US2014/059483, dated Apr. 12, 2016.  
 International Preliminary Report on Patentability for PCT/US2012/020370, dated Jul. 10, 2013.  
 Nick Guy, “RND Power Solutions Sync & Charge Dock with Lightning Connector”, dated Nov. 18, 2013, <http://www.ilounge.com/index.php/reviews/entry/tylt-energi-sl>.  
 Nick Guy, “RND Power Solutions Sync & Charge Dock with Lightning Connector”, dated Nov. 25, 2013, <http://www.ilounge.com/index.php/reviews/entry/rnd-power-solutions-sync-charge-dock-with-lightning-connector/>.  
 Julie Strietelmeier, “Seidio INNODock Desktop Cradle for Treo 650,” dated Jul. 28, 2005, [http://the-gadgeteer.com/2005/07/28/seidio\\_innodock\\_desktop\\_cradle\\_for\\_treo\\_650/](http://the-gadgeteer.com/2005/07/28/seidio_innodock_desktop_cradle_for_treo_650/).  
 Altec Lansing Octiv Stage MP450 Review, dated Dec. 8, 2010, <http://www.cnet.com/products/alttec-lansing-octiv-stage-mp450/>.  
 Mophie Unveils All-Aluminum PowerStand for iPad, dated Jan. 4, 2011, <http://www.intomobile.com/2011/01/04/mophie-powerstand-swivels-charges-ipad/>.

(56)

**References Cited**

OTHER PUBLICATIONS

Mophie PowerStand for iPad (Video), dated Jan. 4, 2011, <http://www.gottabemobile.com/2011/01/04/mophie-powerstand-for-ipad-video/>.

\* cited by examiner

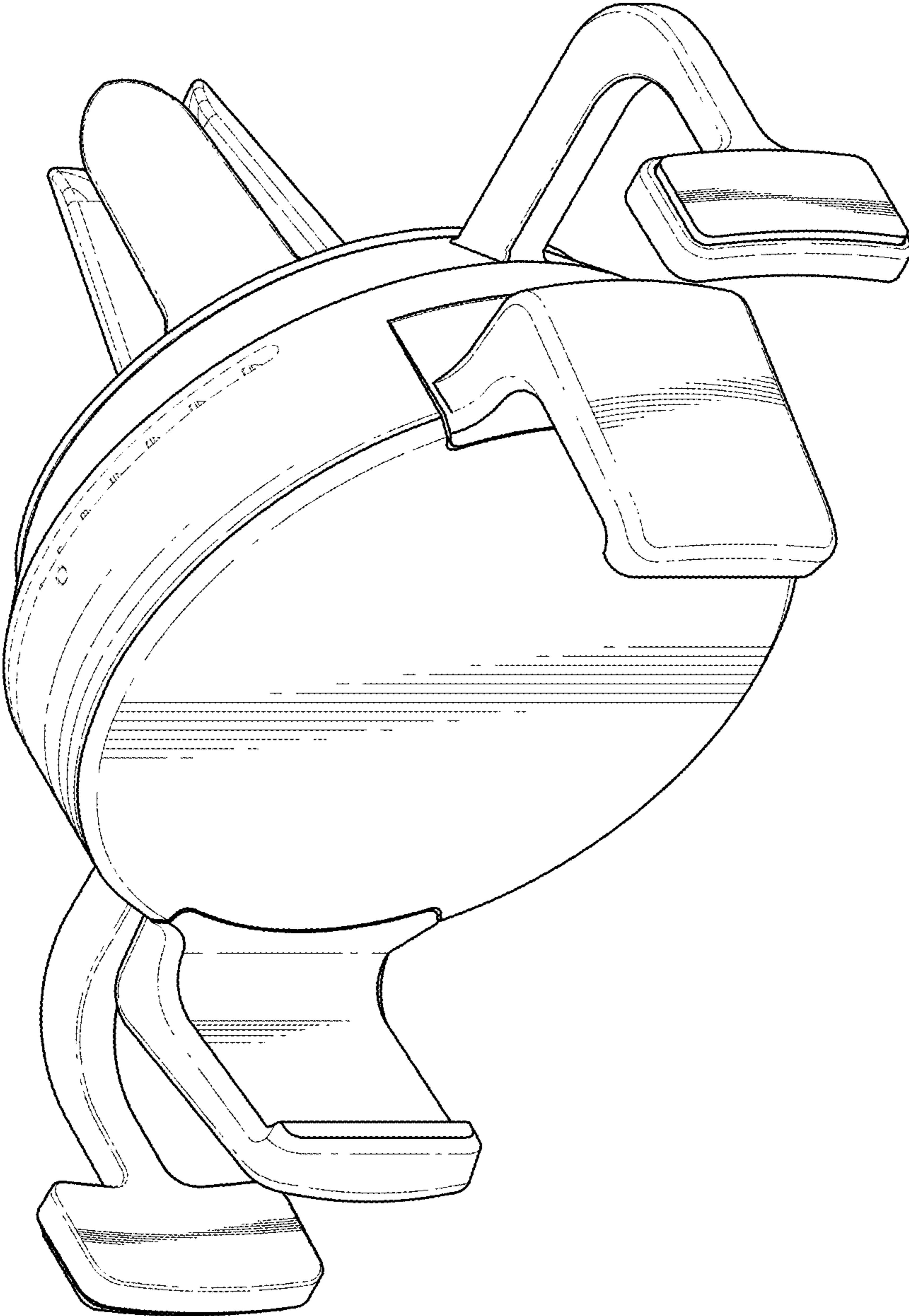


FIG. 1



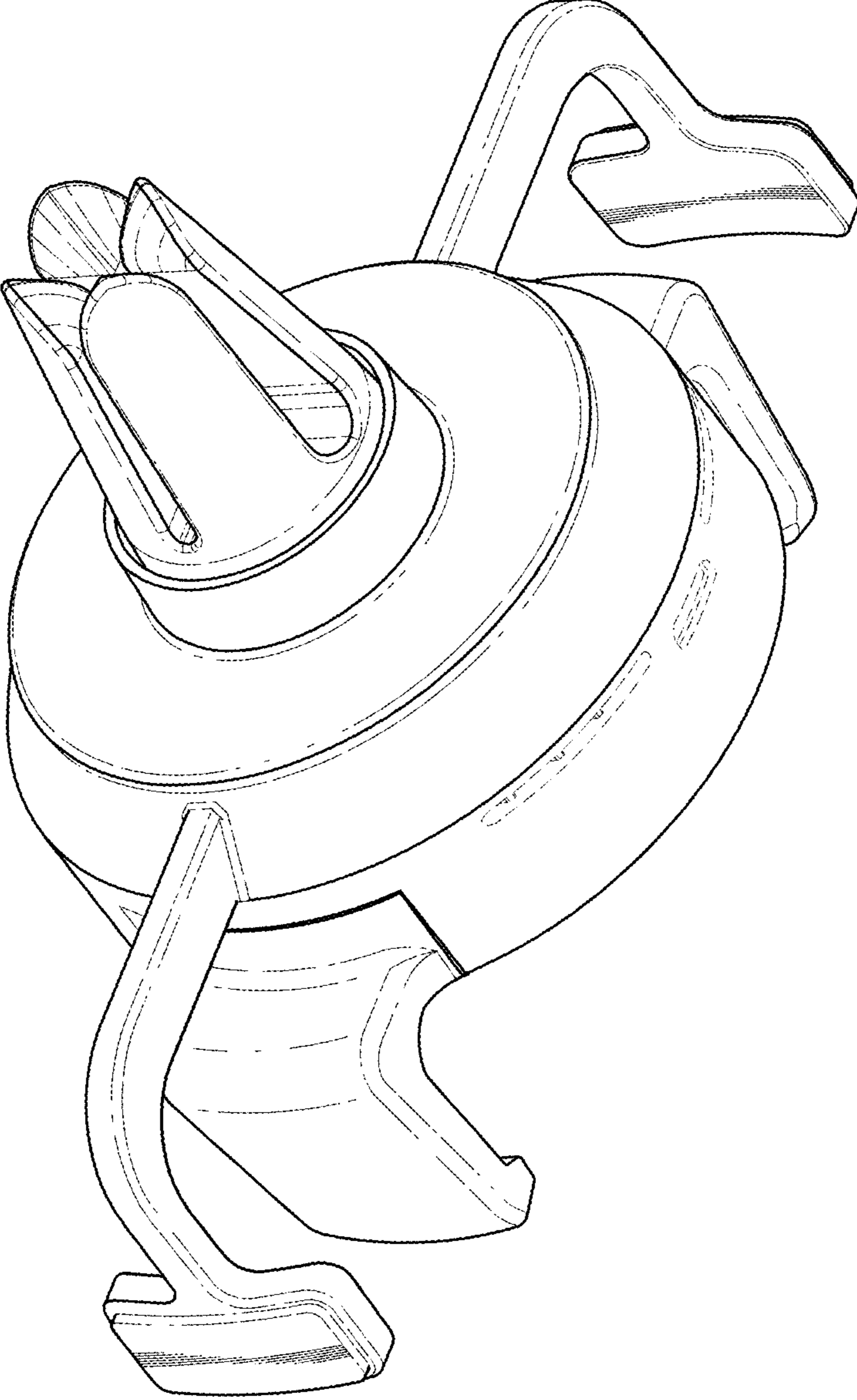


FIG. 2

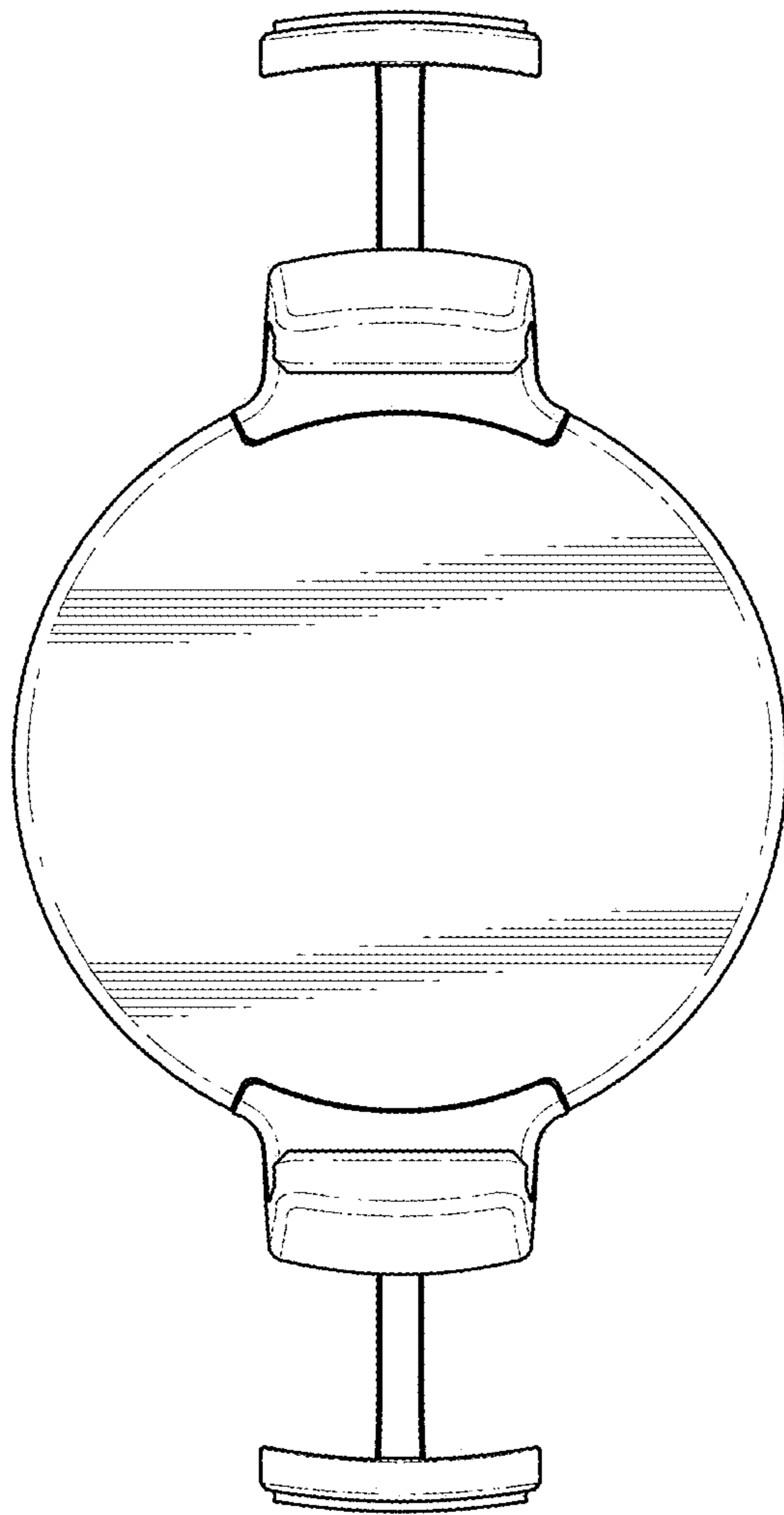


FIG. 3

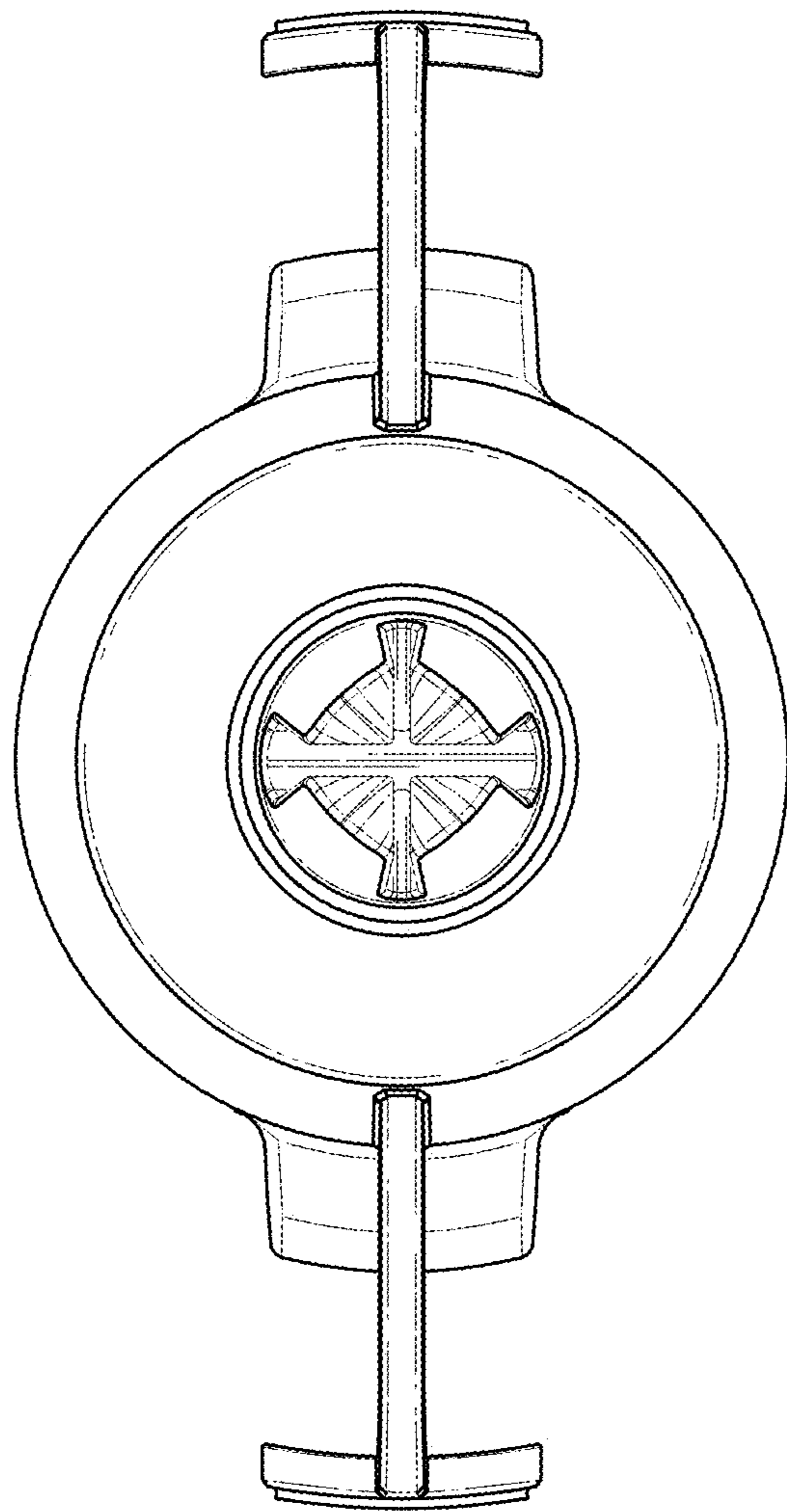


FIG. 4

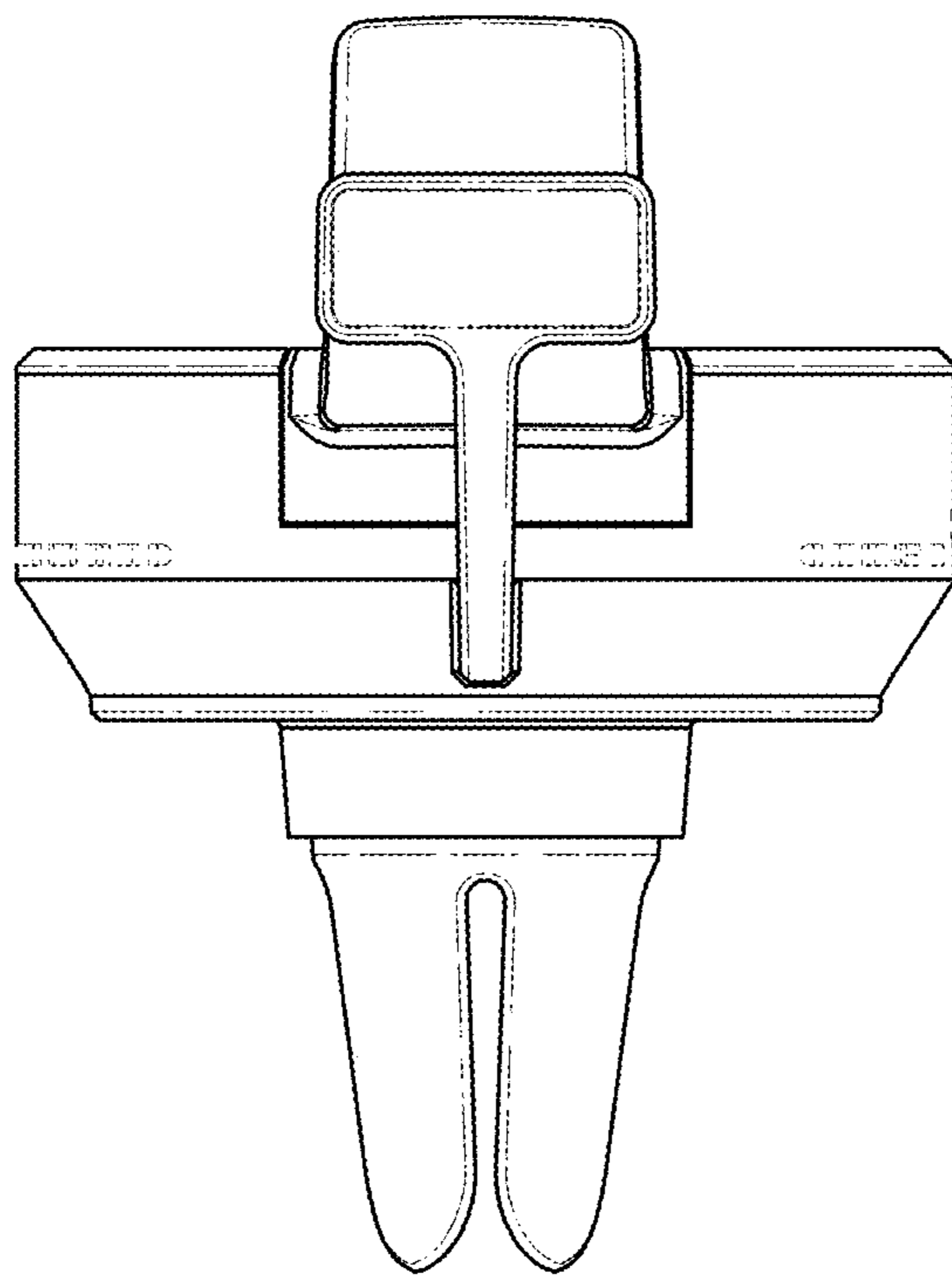


FIG. 5



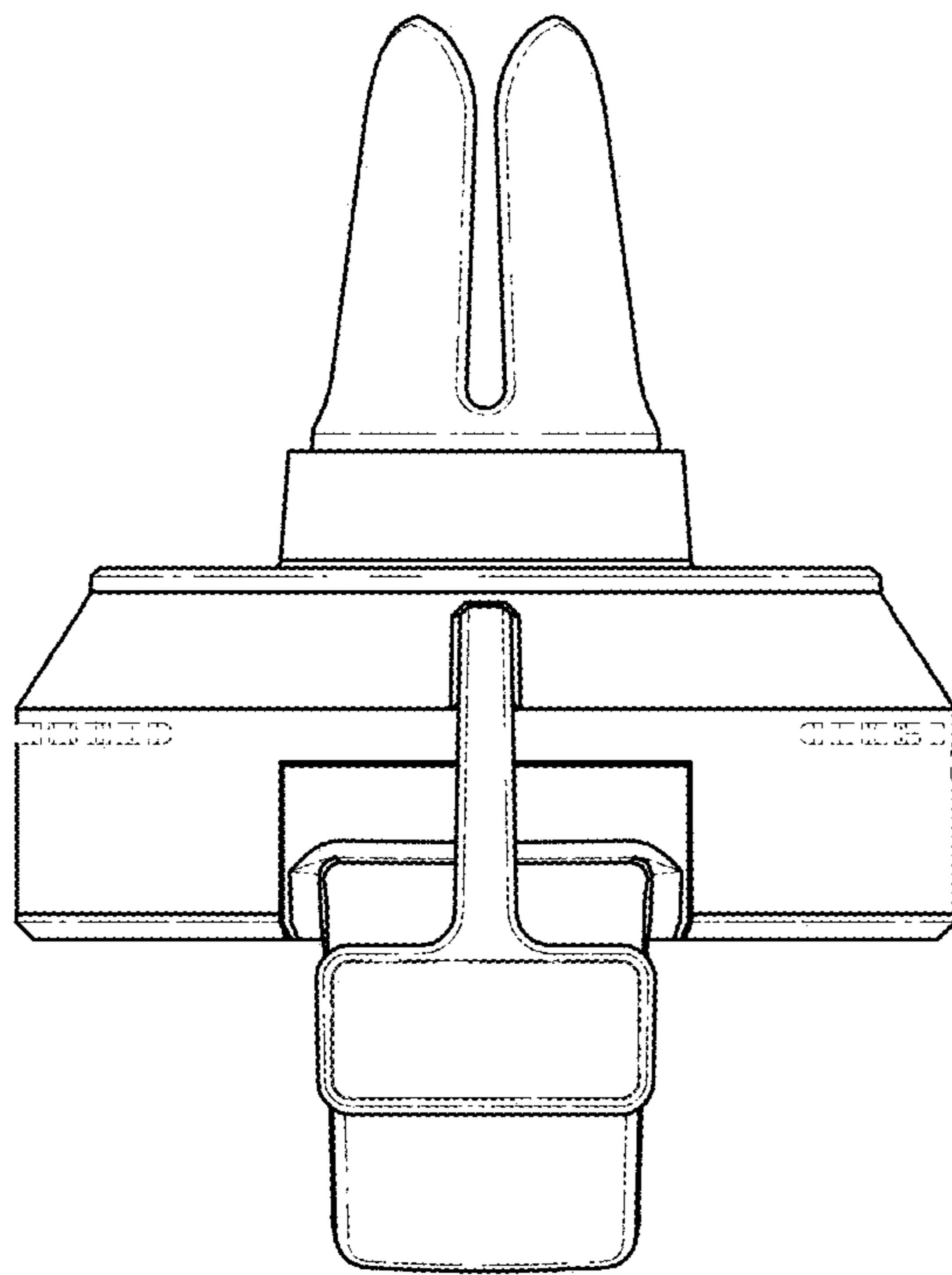


FIG. 6

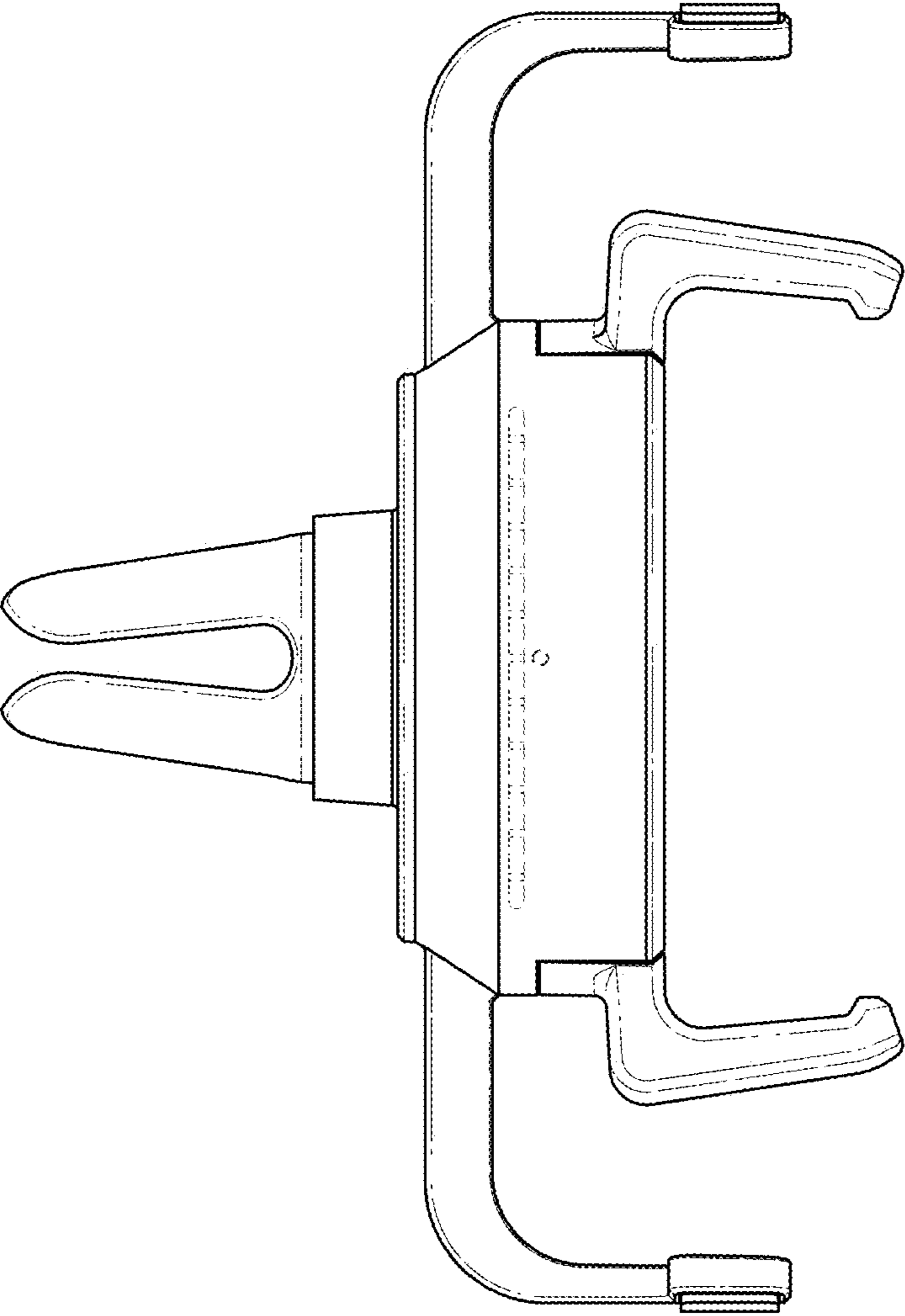


FIG. 7

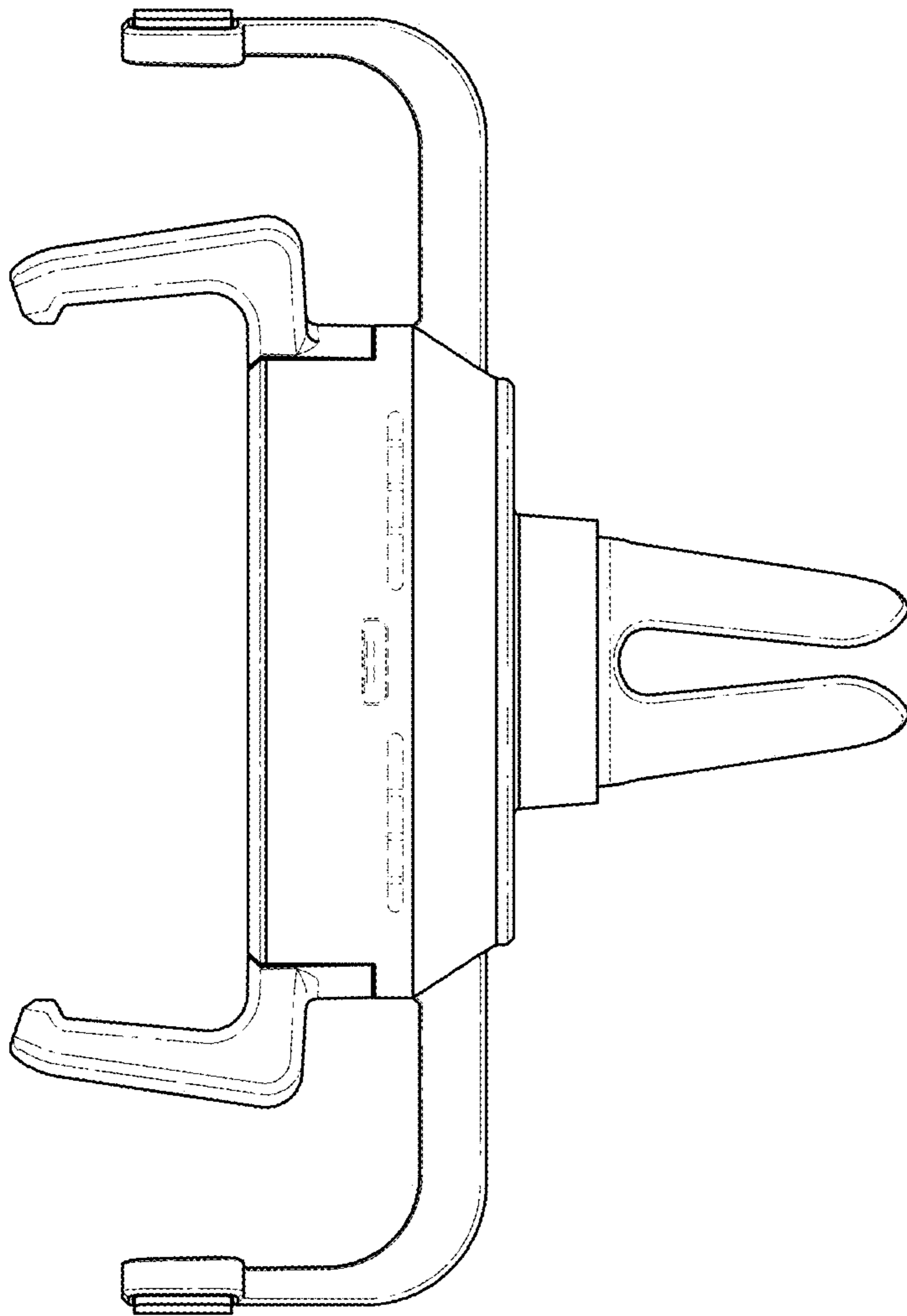


FIG. 8