



US00D873259S

(12) **United States Design Patent**
Lindof

(10) **Patent No.:** **US D873,259 S**
(45) **Date of Patent:** **** *Jan. 21, 2020**

- (54) **TELEPHONE HEADSET HOLDER**
- (71) Applicant: **RTX A/S**, Nørresundby (DK)
- (72) Inventor: **Jens Christian Lindof**, Nørresundby (DK)
- (73) Assignee: **RTX A/S**, Nørresundby (DK)
- (*) Notice: This patent is subject to a terminal disclaimer.
- (**) Term: **15 Years**
- (21) Appl. No.: **29/627,279**
- (22) Filed: **Nov. 24, 2017**
- (30) **Foreign Application Priority Data**

May 24, 2017 (EM) 004015972

(51) **LOC (12) Cl.** **14-03**

(52) **U.S. Cl.**
USPC **D14/253**; D14/224; D13/108

(58) **Field of Classification Search**
USPC D14/251-254, 217, 224, 224.1, 238.1, D14/299, 434, 447, 451-452, 483; D12/400, 415-426, 426.1, 114, 223; D8/394; D6/513, 553, 567; D3/218; D16/242, 245; D10/74; D13/108
CPC B60R 11/00; B60R 11/02; B60R 11/0241; B60R 11/0252; B60R 2011/0005; B60R 2011/0008; H04M 1/026; H04M 1/0266; H04M 1/04; H04M 1/6066; H04B 1/3877; A45F 2200/0516; A45F 2200/0525; H05K 5/0204; F16M 13/02; F16M 13/022; F16M 13/04; F16M 11/04; F16M 11/041; F16B 2/12; H01F 7/0252; G03B 17/561; G03B 17/563

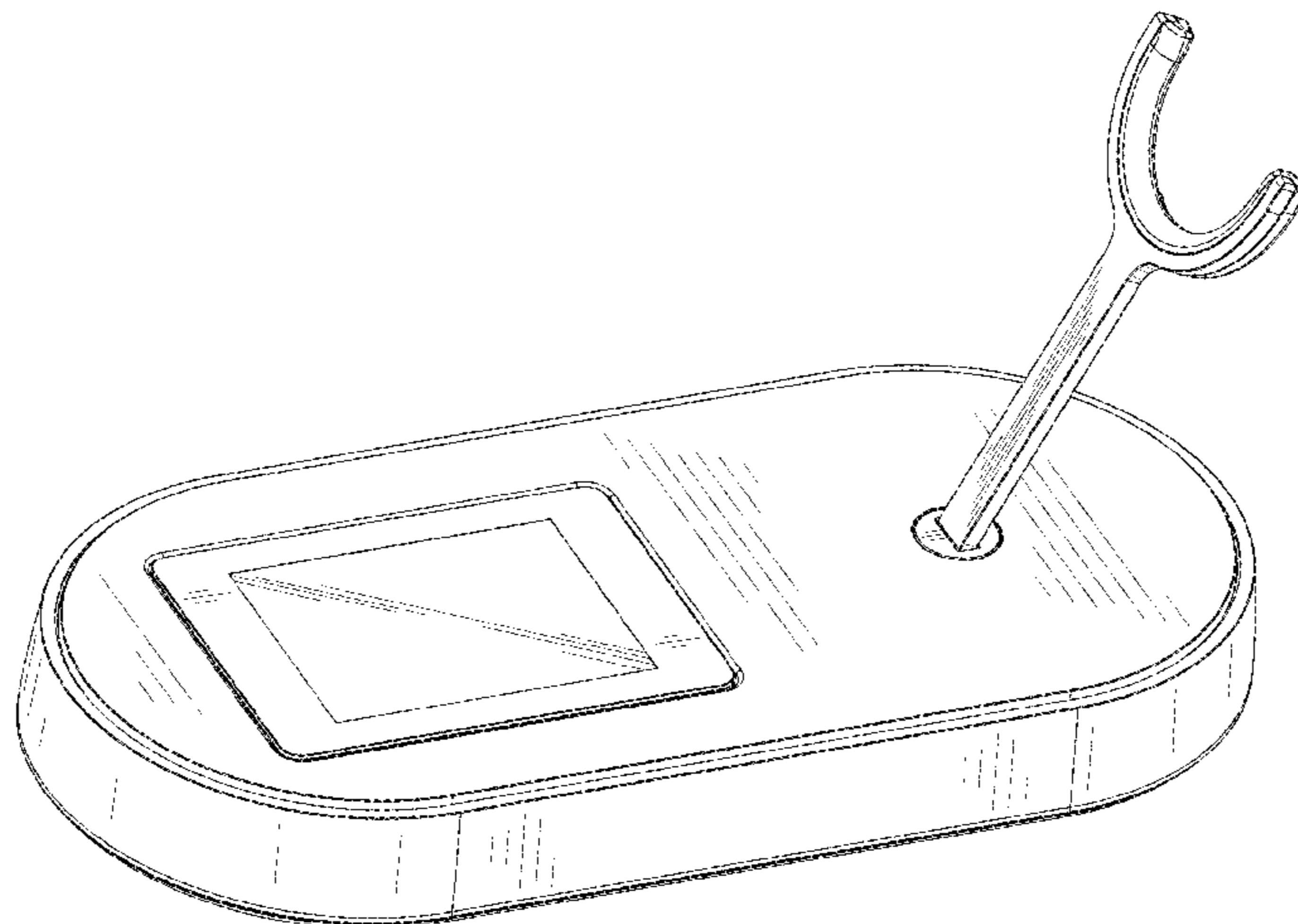
See application file for complete search history.

(56) **References Cited**

U.S. PATENT DOCUMENTS

1,329,658 A	2/1920	Gernsback
2,025,398 A	12/1933	Pocock et al.
1,988,880 A	1/1935	Strouse
2,086,980 A	7/1937	Kirby
2,954,442 A	9/1960	Mickenberg

3,061,690 A	10/1962	Swinehart
3,211,160 A	10/1965	Miller
3,311,713 A	3/1967	Knuebel
3,815,155 A	6/1974	Davison et al.
D270,634 S	9/1983	Ungar
4,420,657 A	12/1983	Larkin
4,597,469 A	7/1986	Nagashima
D286,874 S	11/1986	Bertagna et al.
4,689,822 A	8/1987	Houng
D300,133 S	3/1989	Daidoh et al.
4,875,233 A	10/1989	Derhaag et al.
4,926,961 A	5/1990	Gatley et al.
D313,092 S	12/1990	Nilsson
5,033,094 A	7/1991	Houng
5,099,514 A	3/1992	Acree
5,117,465 A	5/1992	MacDonald
D328,074 S	7/1992	Yamazaki et al.
D337,116 S	7/1993	Hattori
D337,587 S	7/1993	Nakayama
D338,010 S	8/1993	Yamatogi
D346,802 S	5/1994	Sacherman et al.
5,369,857 A	12/1994	Sacherman et al.
D357,481 S	4/1995	Giuntoli et al.
5,469,505 A	11/1995	Gatley et al.
D377,020 S	12/1996	Bungardt et al.
5,706,359 A	1/1998	Chang
D394,437 S	5/1998	Landreth et al.
5,822,798 A	10/1998	Baxley
5,887,286 A	3/1999	Waldron
6,038,329 A	3/2000	Lee
D430,140 S	8/2000	Roman
D432,526 S	10/2000	Claesson
6,154,539 A	11/2000	Pitel
6,246,766 B1	6/2001	Walsh
D447,472 S	9/2001	McGugan
D464,943 S	10/2002	Lai
D471,906 S	5/2003	Salazar et al.
6,560,346 B2	5/2003	Ohta et al.
D478,901 S	8/2003	Rath et al.
D480,072 S	9/2003	Ham
6,622,029 B1	9/2003	Skulley et al.
6,625,293 B1	9/2003	Nageno et al.
D481,364 S	10/2003	Kosumsuppamala et al.
D482,019 S	11/2003	Petersen et al.
D484,137 S	12/2003	Wikel et al.
D488,146 S	4/2004	Minto
D490,399 S	5/2004	Kamo et al.
6,768,804 B1	7/2004	Isvan
D494,154 S	8/2004	Polito
D494,571 S	8/2004	Polito
D494,957 S	8/2004	Rath et al.
D498,470 S	11/2004	Skulley et al.
D499,086 S	11/2004	Polito



US D873,259 S

D504,419 S	4/2005	Bey et al.		D663,717 S	7/2012	Hutchieson	
D504,887 S	5/2005	Skulley		D664,116 S	7/2012	Hutchieson	
D505,411 S	5/2005	Sakai		D664,943 S *	8/2012	Choi	D14/188
D505,413 S	5/2005	Skulley et al.		D666,168 S	8/2012	Rath	
D505,414 S	5/2005	Ko et al.		D669,888 S *	10/2012	Gougherty	D14/223
6,952,481 B2	10/2005	Larsen et al.		D673,523 S	1/2013	Brennwald	
D511,492 S *	11/2005	Allende Fritsch	D13/108	D673,929 S	1/2013	Combs et al.	
D514,086 S	1/2006	Skulley		D676,378 S *	2/2013	Kim et al.	D13/108
D517,527 S	3/2006	Suzuki		D683,329 S	5/2013	Hagelin	
D517,528 S	3/2006	Skulley		D684,559 S	6/2013	Groset et al.	
D518,474 S	4/2006	Suzuki		D684,963 S *	6/2013	Goodrich	D14/253
D518,479 S	4/2006	Skulley		D686,593 S	7/2013	Larsen	
D519,990 S	5/2006	Lazor		D687,808 S	8/2013	Combs et al.	
D520,464 S	5/2006	Strong et al.		D707,655 S	6/2014	Porter	
7,062,059 B1	6/2006	Bobisuthi		8,838,029 B2 *	9/2014	Goldman	H04M 1/04 455/41.2
7,106,877 B1	9/2006	Linville					
D529,267 S	10/2006	Portzline		D719,135 S	12/2014	Kelley	
D529,900 S	10/2006	Skulley et al.		D730,873 S	6/2015	Petterson et al.	
D530,307 S	10/2006	Rath		D732,002 S	6/2015	Goransson	
D530,702 S	10/2006	Pritchard et al.		D733,113 S *	6/2015	Krantz	D14/251
D531,165 S	10/2006	Rath		D747,293 S	1/2016	Mistry	
7,120,268 B2	10/2006	Murozaki		9,271,065 B2	2/2016	Lamb et al.	
D535,980 S	1/2007	Bentley et al.		D760,177 S	6/2016	Gassner	
D537,813 S	3/2007	Hoehn et al.		D765,623 S *	9/2016	Yang	D14/224
D537,815 S	3/2007	Bentley et al.		D771,012 S	11/2016	Wagner	
D538,785 S	3/2007	Skulley		D772,201 S	11/2016	Lepchenske	
D539,267 S	3/2007	Komiyama		D777,166 S *	1/2017	Bidwell	D14/447
7,190,330 B2	3/2007	Travers et al.		9,609,413 B2	3/2017	Hsiao	
D539,788 S	4/2007	Thompson et al.		D796,484 S	9/2017	Chen	
D539,789 S	4/2007	Rausch et al.		D799,449 S	10/2017	Yoon et al.	
D540,303 S	4/2007	Rausch et al.		D799,450 S	10/2017	Lee et al.	
D540,313 S	4/2007	Rausch et al.		D806,676 S	1/2018	Fuglsang	
D540,778 S	4/2007	Thompson et al.		D811,371 S	2/2018	Meyer et al.	
D541,256 S	4/2007	Rausch et al.		D813,805 S *	3/2018	Zhong	D13/108
7,209,177 B2	4/2007	Lapalme et al.		D814,413 S *	4/2018	Zhong	D13/108
D554,116 S *	10/2007	Liu	D13/108	D822,638 S	7/2018	Liu	
D563,382 S	3/2008	Wikel		D824,913 S *	8/2018	Bidwell	D14/447
D566,051 S	4/2008	Govindasamy		D826,851 S *	8/2018	Wang	D13/108
D568,808 S *	5/2008	Hamasaki	D13/108	D827,568 S *	9/2018	Turksu	D13/108
D571,354 S	6/2008	Ng		D827,617 S *	9/2018	Dillon	D14/224
7,391,863 B2	6/2008	Viduya et al.		D830,339 S	10/2018	Yan	
D572,188 S *	7/2008	Prat-Pfister	D13/108	D847,782 S	5/2019	Wernblad	
D574,368 S	8/2008	Chapman		D847,783 S	5/2019	Wernblad et al.	
D578,508 S	10/2008	Wang		D847,784 S	5/2019	Wernblad et al.	
D581,371 S	11/2008	Richmond		D855,038 S *	7/2019	Hu	D14/224
D587,683 S	3/2009	Ham et al.		2003/0072466 A1	4/2003	Eisenbraun	
D587,684 S	3/2009	Ham et al.		2005/0286717 A1	12/2005	Viduya et al.	
D588,100 S	3/2009	Densho et al.		2007/0004236 A1	1/2007	Suenaga	
7,505,793 B2	3/2009	Ryann		2009/0074196 A1	3/2009	Tiodor et al.	
D589,932 S	4/2009	Komiyama		2011/0111111 A1	5/2011	Taylor	
D590,372 S	4/2009	Melin		2011/0135134 A1	6/2011	Essabar et al.	
D591,263 S	4/2009	Shimizu		2011/0206393 A1	8/2011	Nakazato et al.	
7,519,196 B2	4/2009	Bech		2011/0228925 A1	9/2011	Birch	
D592,640 S	5/2009	Tkachuk		2011/0306393 A1	12/2011	Goldman et al.	
D601,126 S	9/2009	Christopher et al.		2012/0163616 A1	6/2012	Birch	
D601,543 S	10/2009	Bentley		2012/0328119 A1	12/2012	Heise	
D602,001 S	10/2009	Bentley		2015/0086058 A1	3/2015	Harms et al.	
D602,908 S	10/2009	Ham et al.		2016/0119702 A1	4/2016	Matsui et al.	
D603,371 S	11/2009	Boateng et al.		2016/0198254 A1	7/2016	Gecawicz et al.	
D606,048 S	12/2009	Soetejo et al.					
D608,351 S *	1/2010	Song	D13/108				
D609,694 S	2/2010	Komiyama					
D617,780 S	6/2010	Jaakkola et al.					
D617,781 S	6/2010	Kallas et al.					
D620,474 S	7/2010	Komiyama					
D625,705 S	10/2010	Ohori et al.					
D628,189 S	11/2010	Rath					
D632,668 S	2/2011	Brunner et al.					
D635,958 S	4/2011	Ando et al.					
D634,298 S	5/2011	Shimizu et al.					
D638,000 S	5/2011	Hoggarth					
7,962,970 B2	6/2011	Le Gette et al.					
D643,405 S	8/2011	Rath					
D645,847 S *	9/2011	Chau	D13/108				
D648,330 S	11/2011	Fischer					
8,061,473 B1	11/2011	Kerr					
D654,472 S	2/2012	Fischer					
D657,740 S *	4/2012	Prat-Pfister	D13/108				
D659,106 S	5/2012	Paul					

FOREIGN PATENT DOCUMENTS

EP	004749026-0010	3/2018
EP	005299229-0002	6/2018

OTHER PUBLICATIONS

Satechi Aluminum Headphone Stand and USB Hub Review, YouTube online, post date Feb. 6, 2016, <URL: <https://www.youtube.com/watch?v=bVosH0ADleg>>, retrieved Apr. 11, 2019.*

Lamicall Headphone Stand, online, no post date, <URL: <https://www.soundandvision.com/shop/headphone-stand-lamicall-headset-holder-headset-holder-earphone-stand-with-aluminum-cylindrical-supporting-bar-and-round-solid-base-for-all-headphones-size-silver-tq29rslyzw-p.html>>, retrieved Apr. 11, 2019.*

* cited by examiner

Primary Examiner — Jeffrey D Asch

Assistant Examiner — Rebekah A Caruso

(74) *Attorney, Agent, or Firm* — Merchant & Gould P.C.

(57) **CLAIM**

The ornamental design for a telephone headset holder, as shown and described.

DESCRIPTION

FIG. 1 is a perspective view of a telephone headset holder according to the principles of the present invention;

FIG. 2 is a front elevational view thereof;

FIG. 3 is a rear elevational view thereof;

FIG. 4 is a left side elevational view thereof;

FIG. 5 is a right side elevational view thereof;

FIG. 6 is a top plan view thereof; and,

FIG. 7 is a rear perspective view thereof.

The broken lines depict portions of the article that form no part of the claimed design.

1 Claim, 7 Drawing Sheets

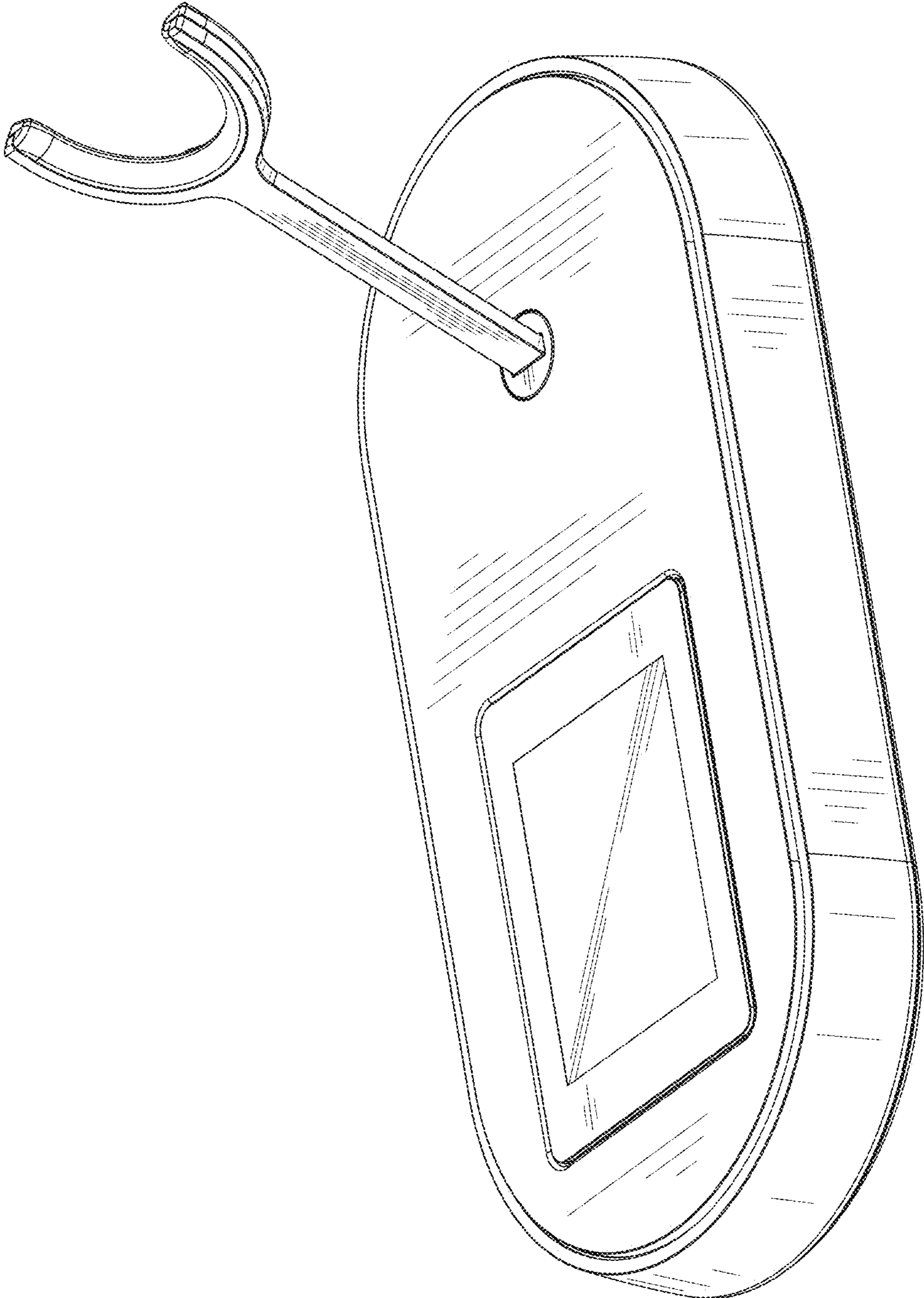


FIG. 1

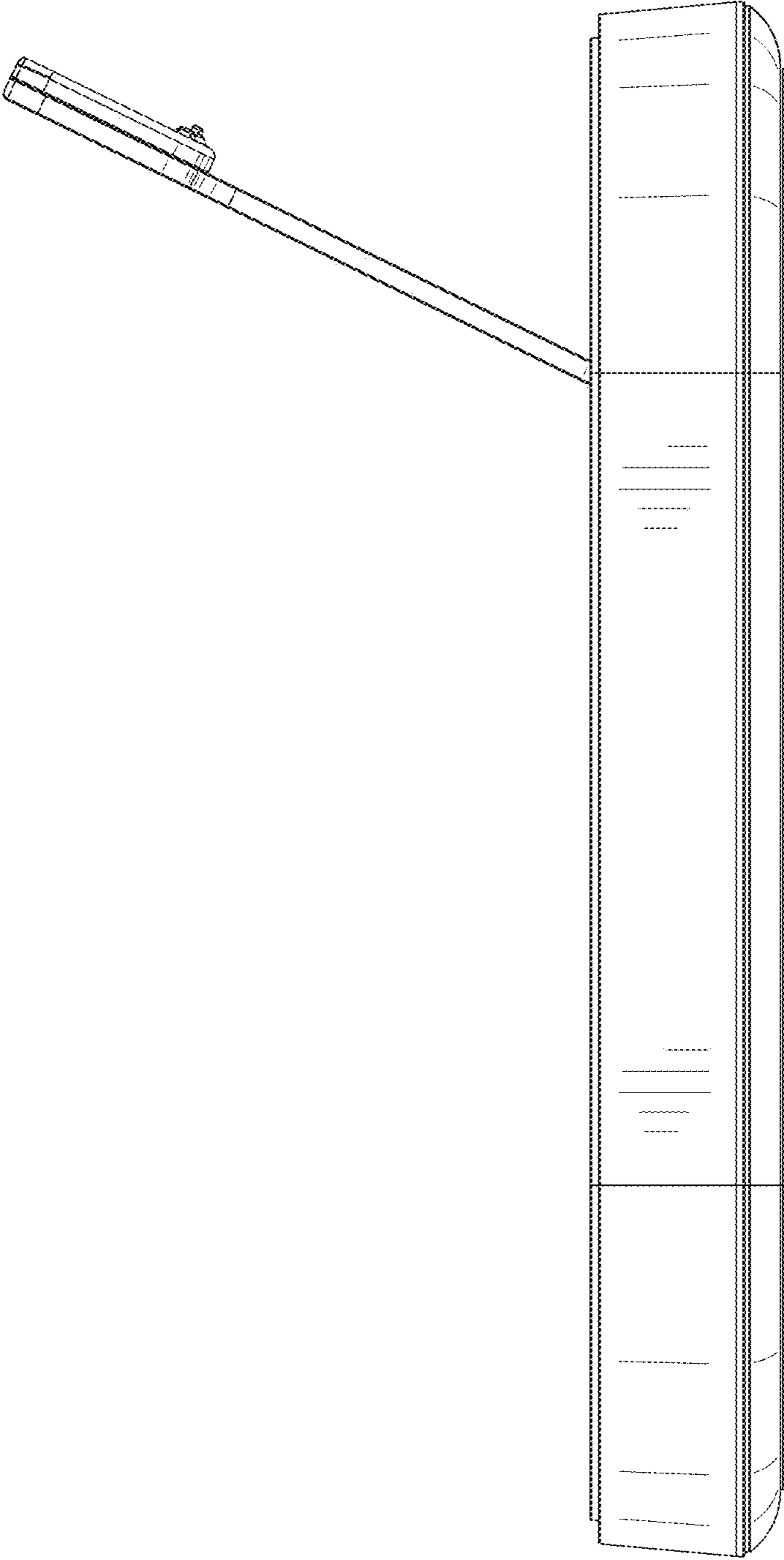


FIG. 2

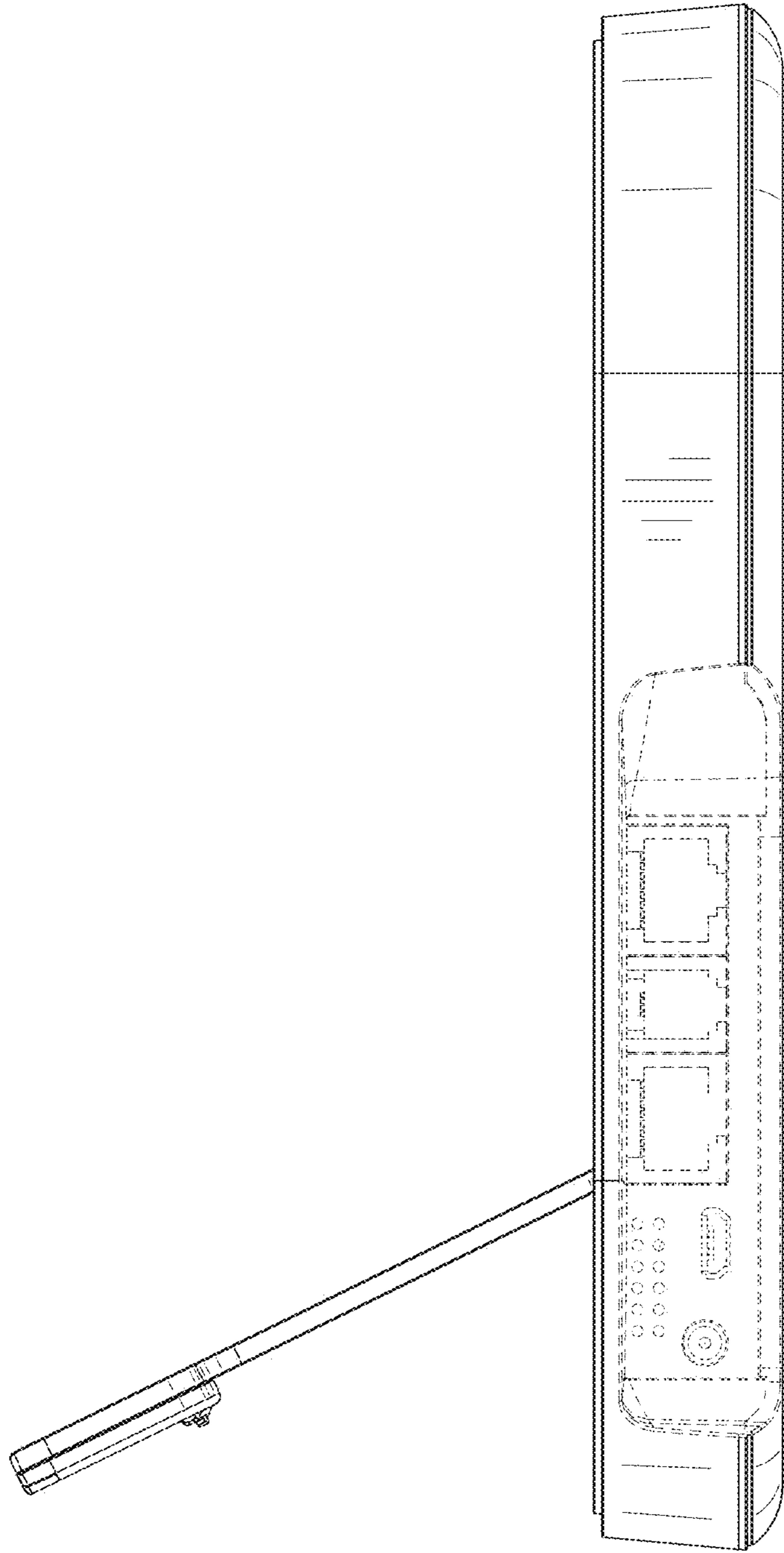


FIG. 3

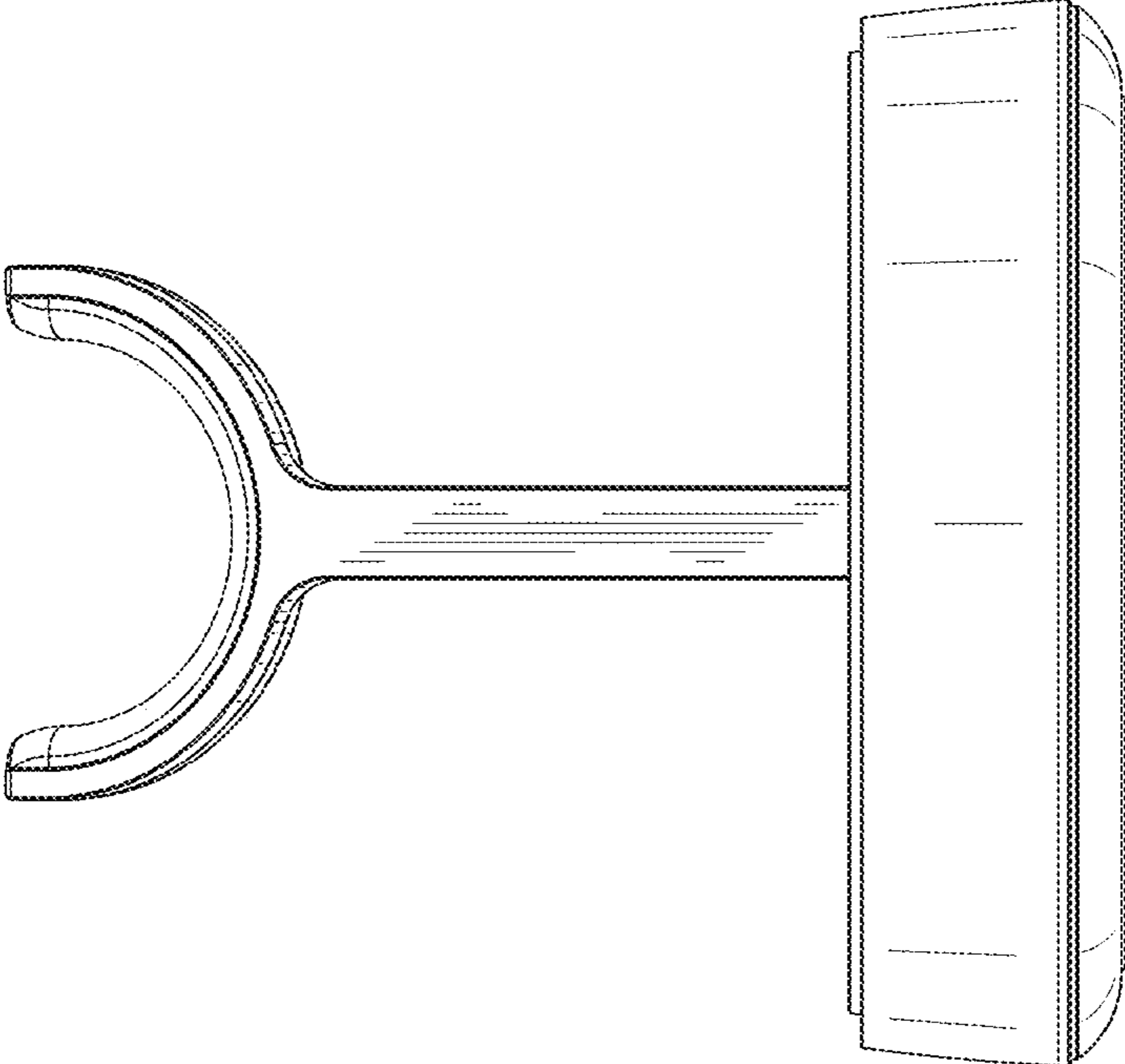


FIG. 4

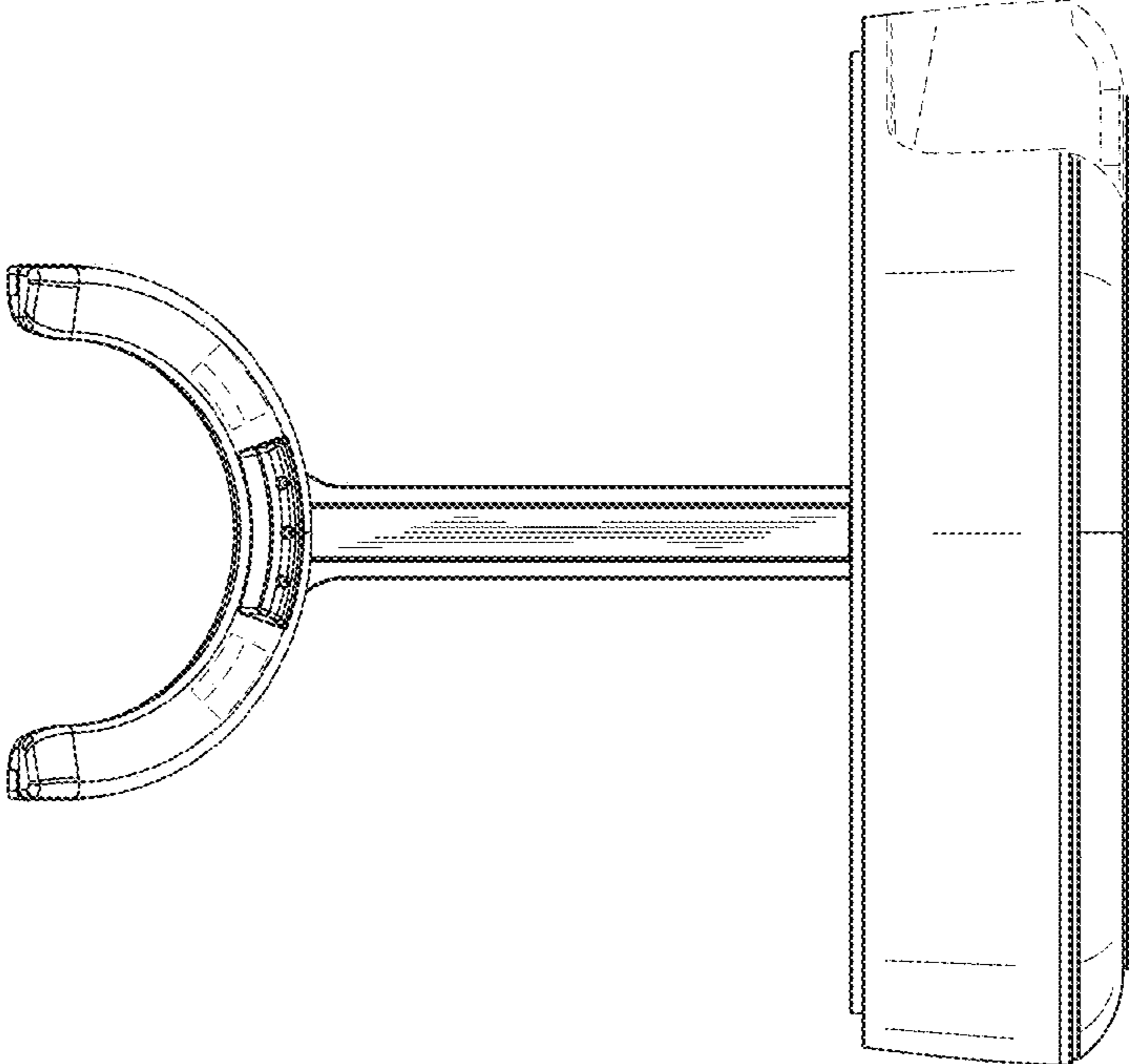


FIG. 5

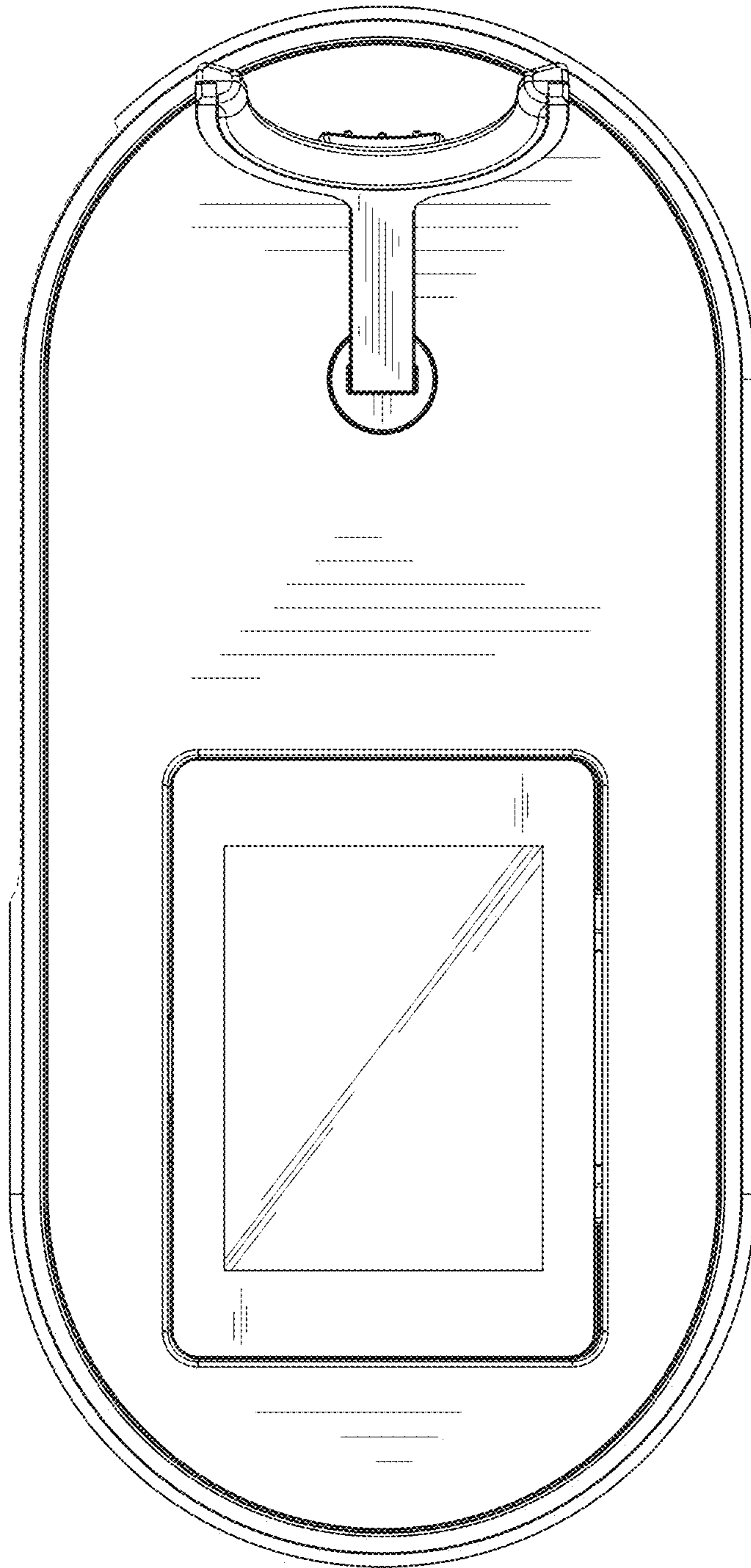


FIG. 6

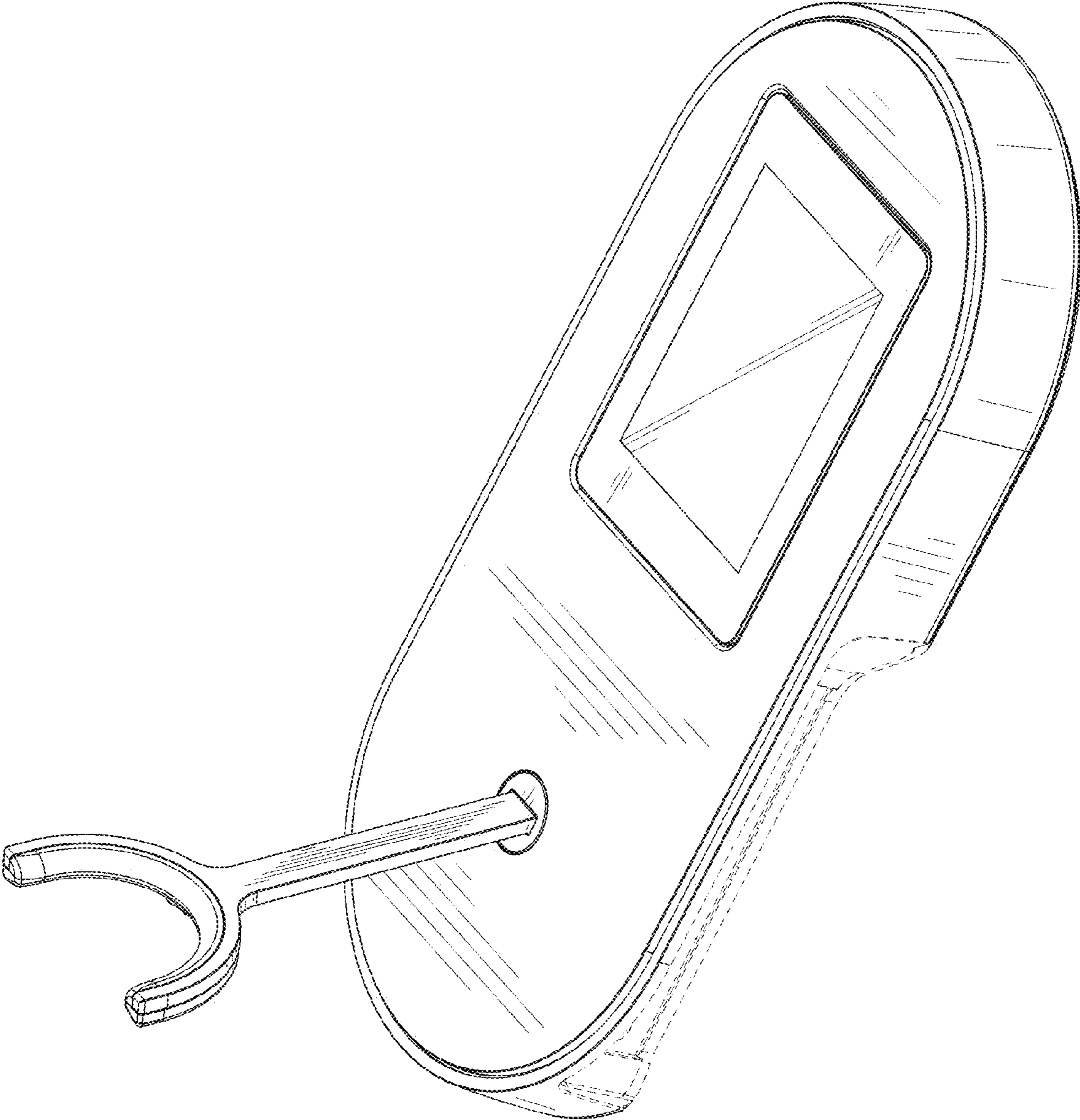


FIG. 7