

US00D873253S

(12) **United States Design Patent** (10) **Patent No.:** **US D873,253 S**  
**Ahrens** (45) **Date of Patent:** **\*\* Jan. 21, 2020**

(54) **ADJUSTABLE SCREEN MOUNT WITH TRAY**

*Primary Examiner* — Randall H Gholson

(71) Applicant: **BordRijk Intellectual Property B.V.**,  
Budel (NL)

(74) *Attorney, Agent, or Firm* — Miller & Martin PLLC

(72) Inventor: **Willi H. H. Ahrens**, Budel (NL)

(57) **CLAIM**

The ornamental design for the adjustable screen mount with tray, as shown and described.

(73) Assignee: **BordRijk Intellectual Property B.V.**  
(NL)

**DESCRIPTION**

(\*\*) Term: **15 Years**

FIG. 1 is an elevated right front perspective view of the adjustable screen mount with tray;

(21) Appl. No.: **29/656,137**

FIG. 2 is an elevated rear left perspective view of the adjustable screen mount with tray;

(22) Filed: **Jul. 10, 2018**

FIG. 3 is a top plan view of the adjustable screen mount with tray;

(30) **Foreign Application Priority Data**

FIG. 4 is a bottom plan view of the adjustable screen mount with tray;

Jan. 10, 2018 (EM) ..... 004661320-0001

FIG. 5 is a right side elevation view of the adjustable screen mount with tray, the left side elevation view being a mirror image thereof;

Jan. 10, 2018 (EM) ..... 004661320-0002

FIG. 6 is a rear elevation view of the adjustable screen mount with tray;

Jan. 10, 2018 (EM) ..... 004661320-0003

(51) **LOC (12) Cl.** ..... **14-03**

FIG. 7 is a front elevation view of the adjustable screen mount with tray;

(52) **U.S. Cl.**

USPC ..... **D14/239**

FIG. 8 is an elevated right front perspective view of the adjustable screen mount with tray;

(58) **Field of Classification Search**

USPC ..... D14/239, 371, 136, 374-377; D8/363, D8/373, 349, 394; 248/465, 917-924, 248/123.11; 348/825, 827, 836, 837, 838, 348/180, 184, 325, 739; 600/443; D6/477-479, 407, 474, 460, 461, 468; 312/7.2; 341/12; 345/87, 104, 133, 156, 345/168, 169, 173; 720/605, 669, 600,  
(Continued)

FIG. 9 is a bottom plan view of the adjustable screen mount with tray;

(56) **References Cited**

**U.S. PATENT DOCUMENTS**

7,290,777 B2 \* 11/2007 Preston ..... B62B 3/10

FIG. 10 is a top plan view of the adjustable screen mount with tray;

211/187

FIG. 11 is a right side elevation view of the adjustable screen mount with tray, the left side elevation view being a mirror image thereof;

D615,072 S \* 5/2010 Saitou ..... D14/239

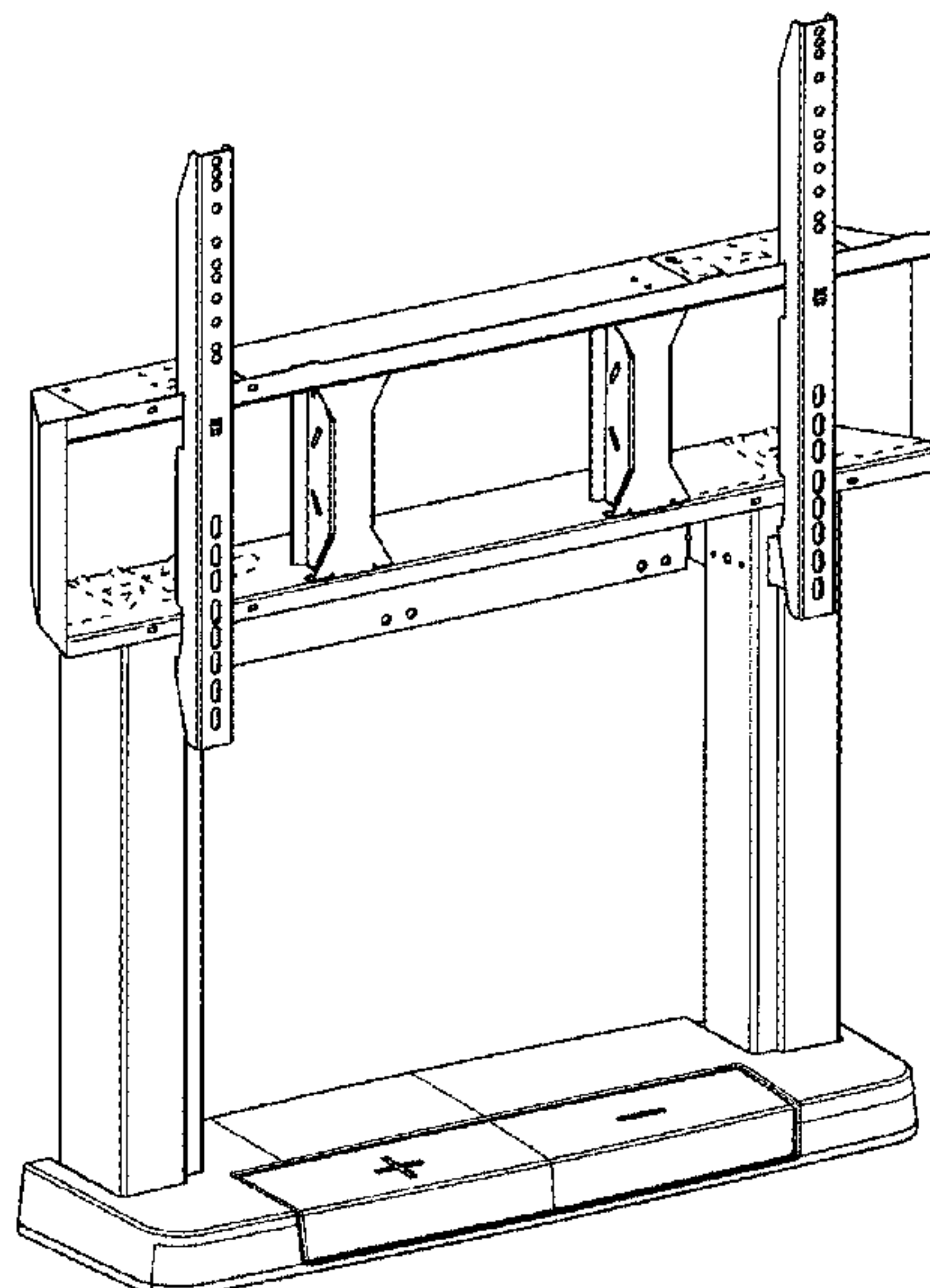
FIG. 12 is a rear elevation view of the adjustable screen mount with tray; and,

(Continued)

FIG. 13 is a front elevation view of the adjustable screen mount with tray.

The adjustable screen mount with tray is shown without the tray in FIGS. 1-7 for clarity.

**1 Claim, 13 Drawing Sheets**



(58) **Field of Classification Search**

USPC ..... 720/655; 369/99, 197; 455/344-347;  
349/1, 2, 11, 62; 108/59, 91, 92, 96;  
211/40, 41.12, 42, 49.1, 50, 85.2, 90.04,  
211/187, 190, 119.003, 134.153, 87.01,  
211/71.01  
CPC ..... A47B 43/00; G03B 1/00  
See application file for complete search history.

(56) **References Cited**

U.S. PATENT DOCUMENTS

D700,706 S *	3/2014	Molter	.....	D24/185
D708,341 S *	7/2014	Ikegame	.....	D24/185
D721,159 S *	1/2015	Reneau	.....	D22/108
D739,947 S *	9/2015	Maier	.....	D24/186
D764,669 S *	8/2016	Birath	.....	D24/164
D788,087 S *	5/2017	Lee	.....	D14/239

\* cited by examiner

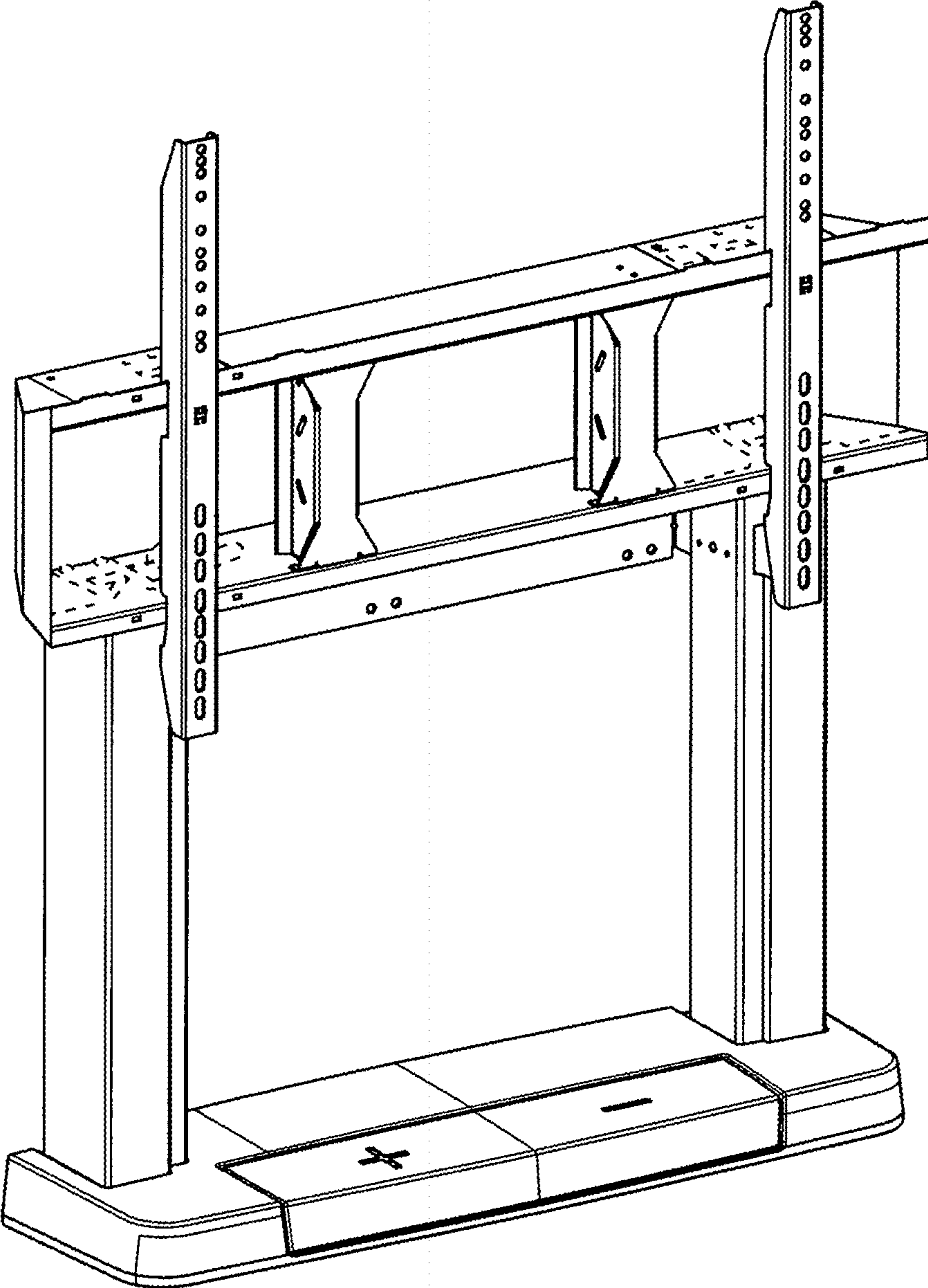
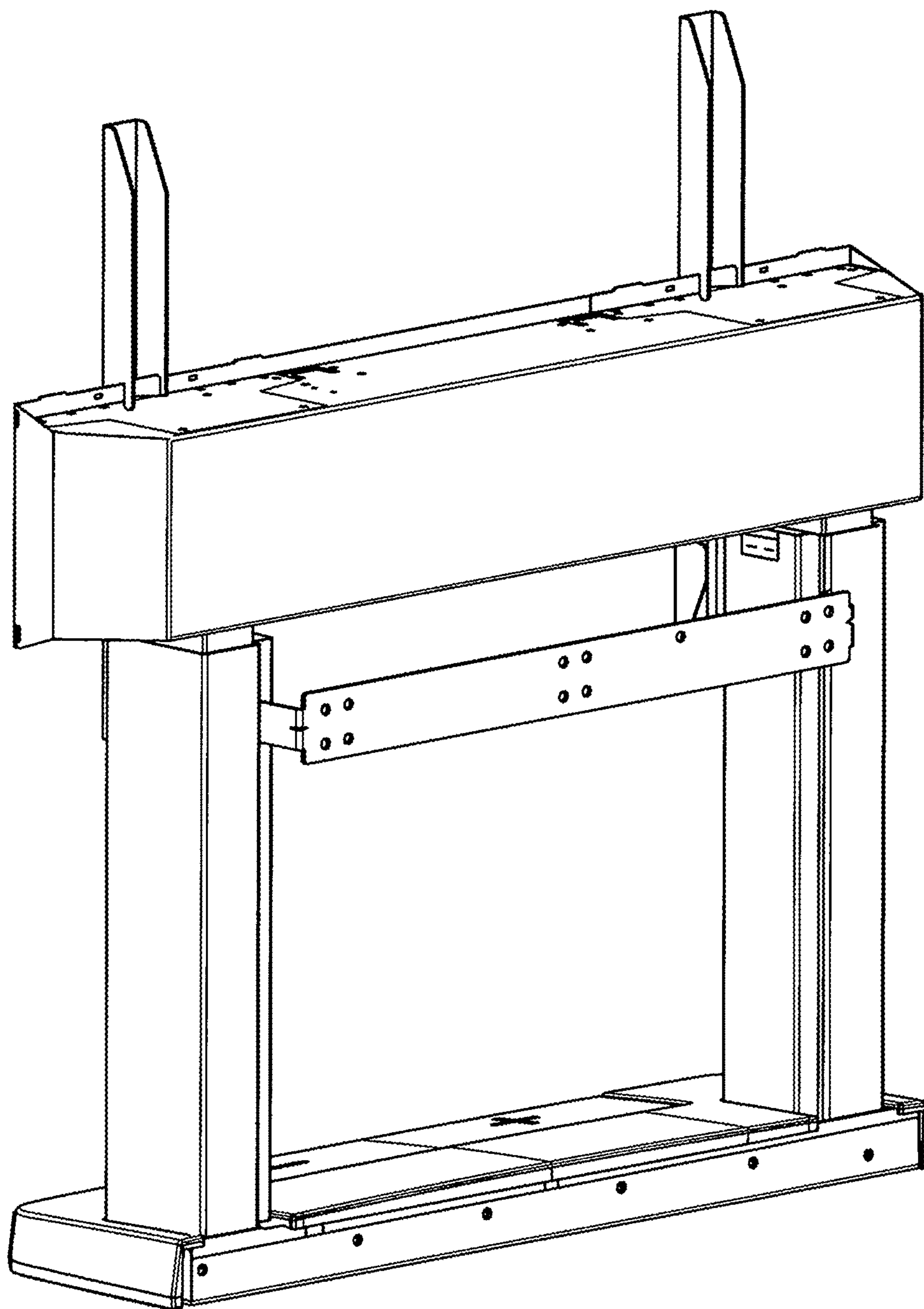
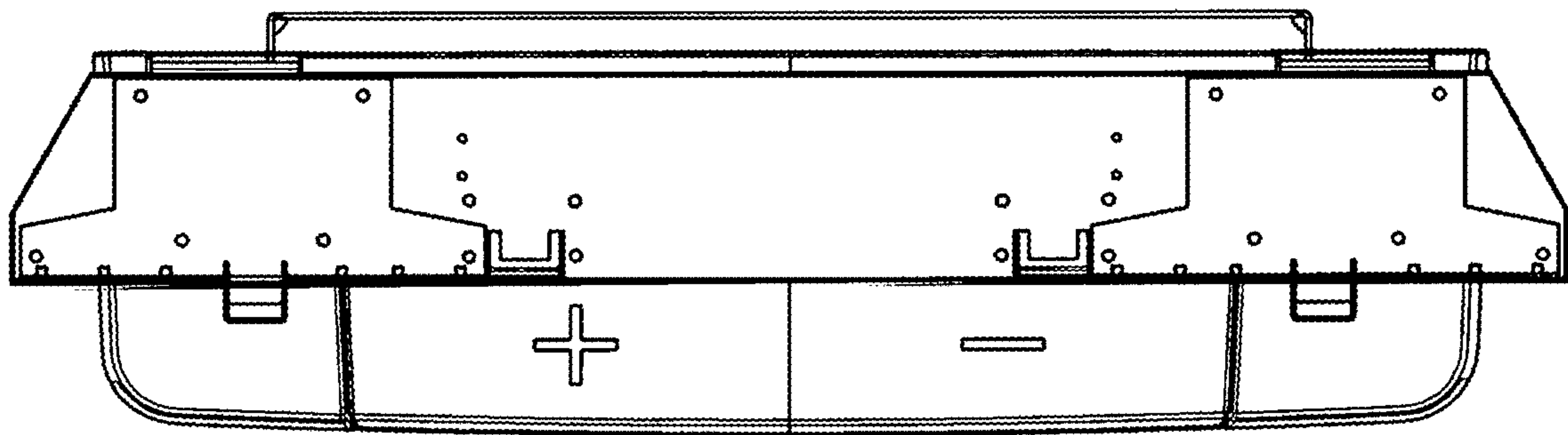


FIG. 1

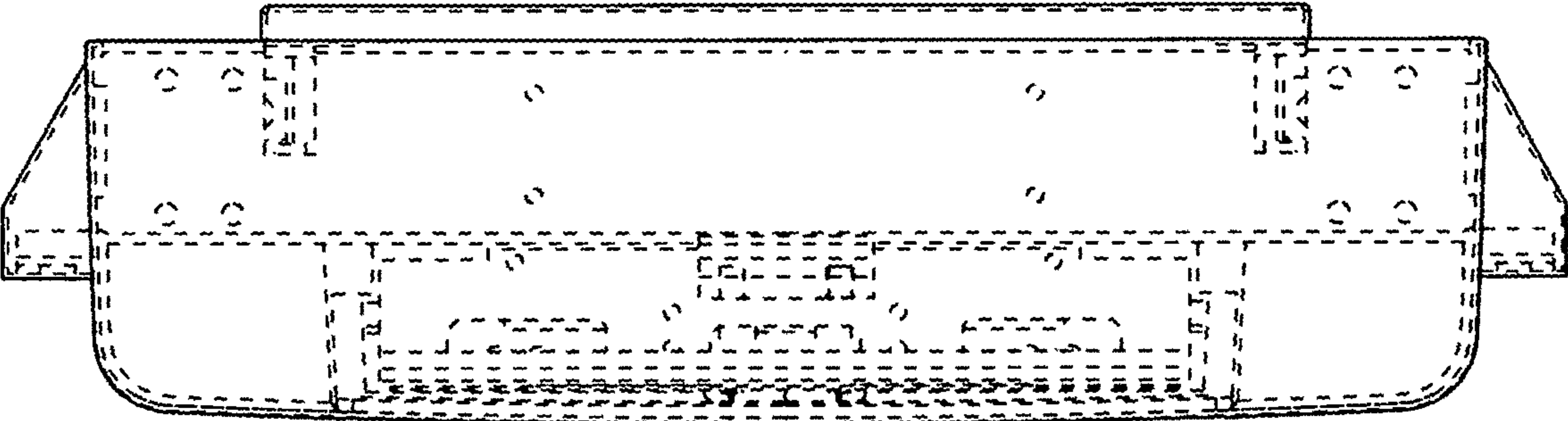


*FIG. 2*

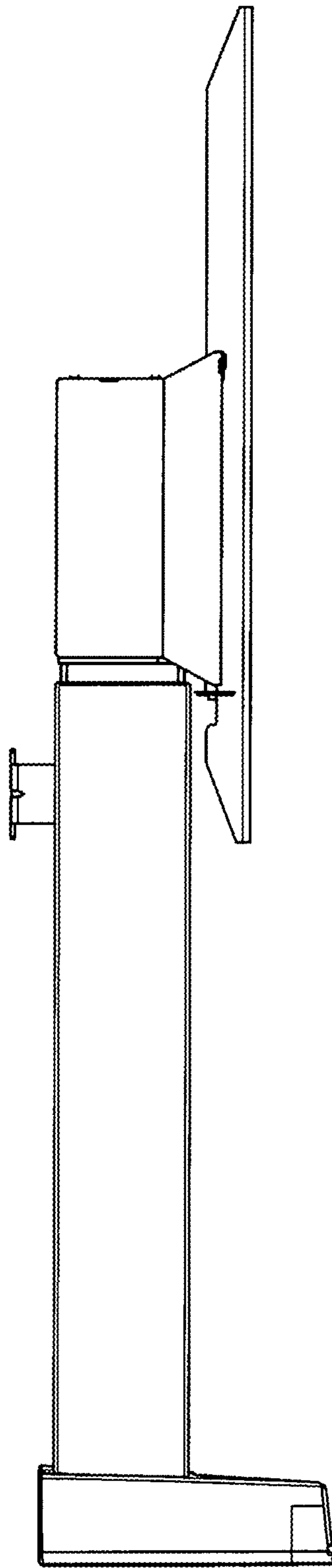


*FIG. 3*





*FIG. 4*



*FIG. 5*

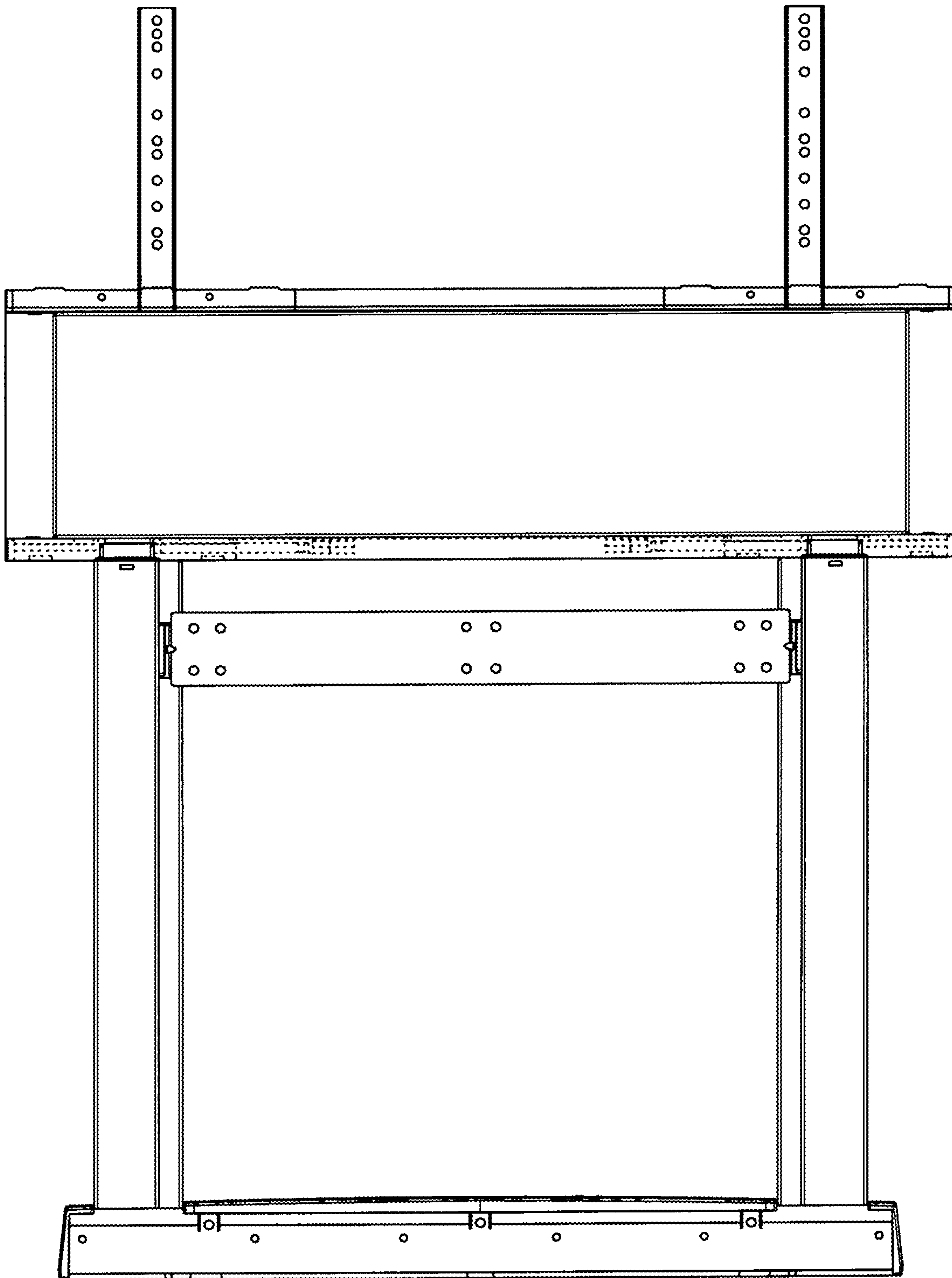


FIG. 6



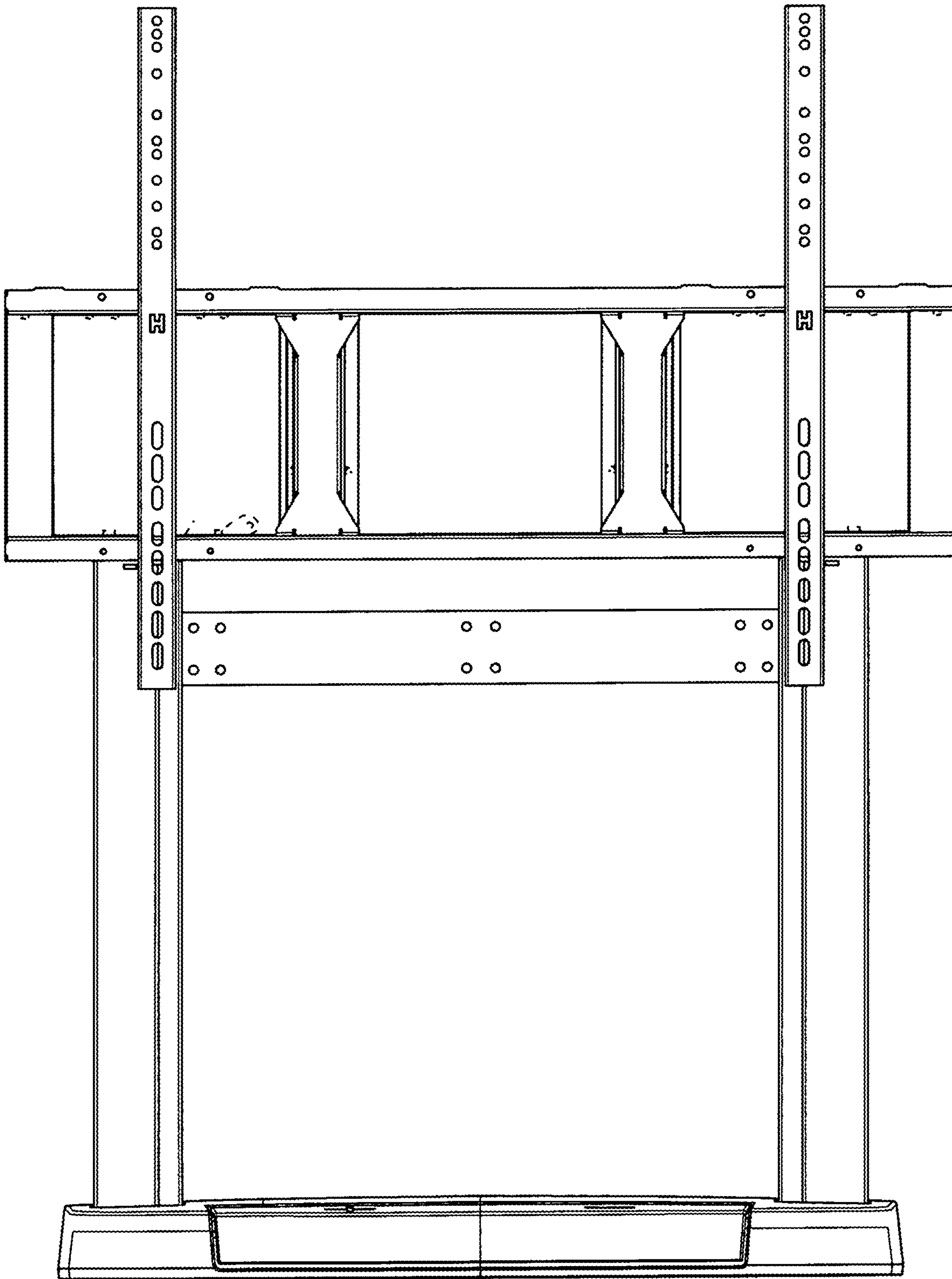


FIG. 7

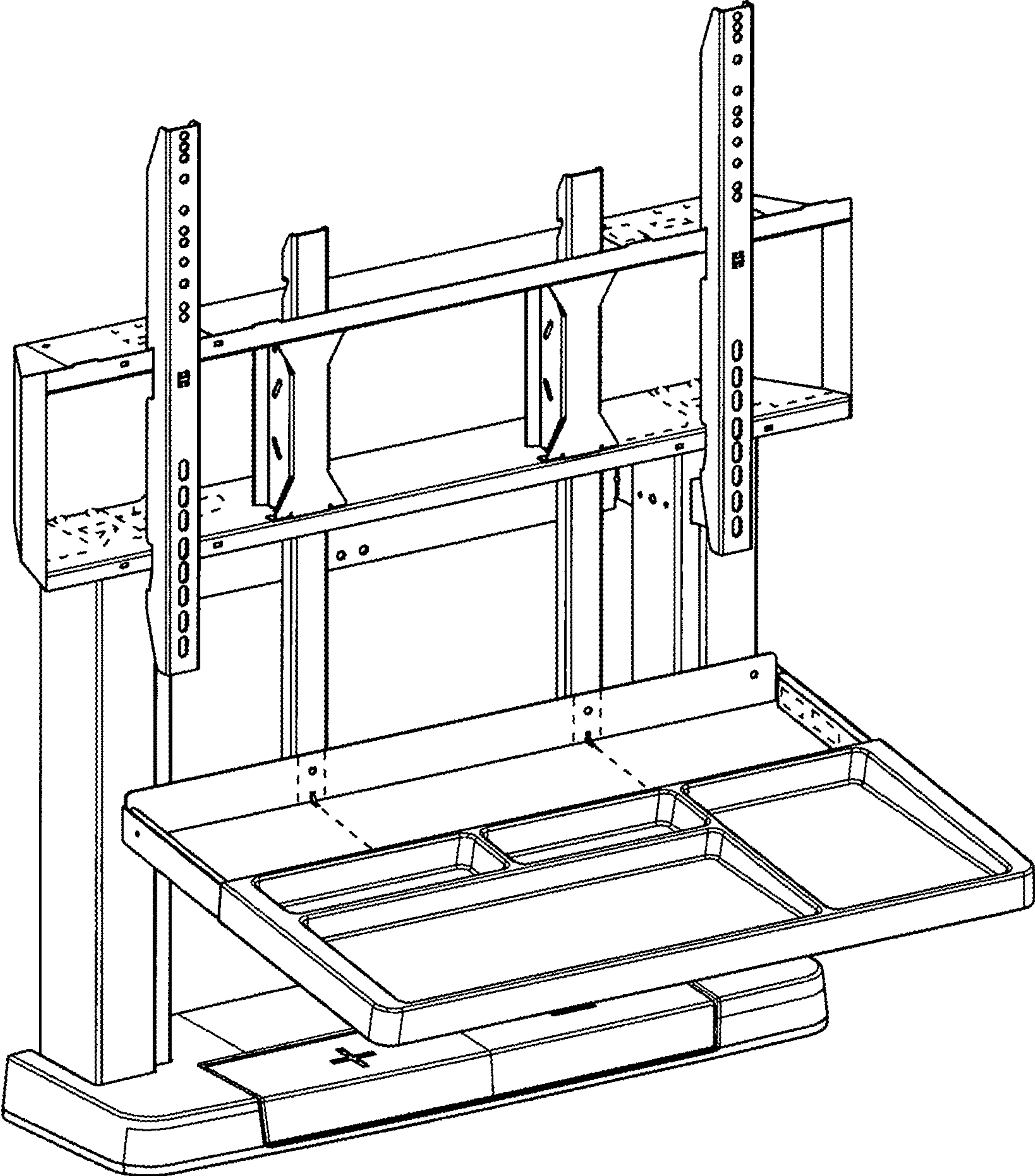


FIG. 8

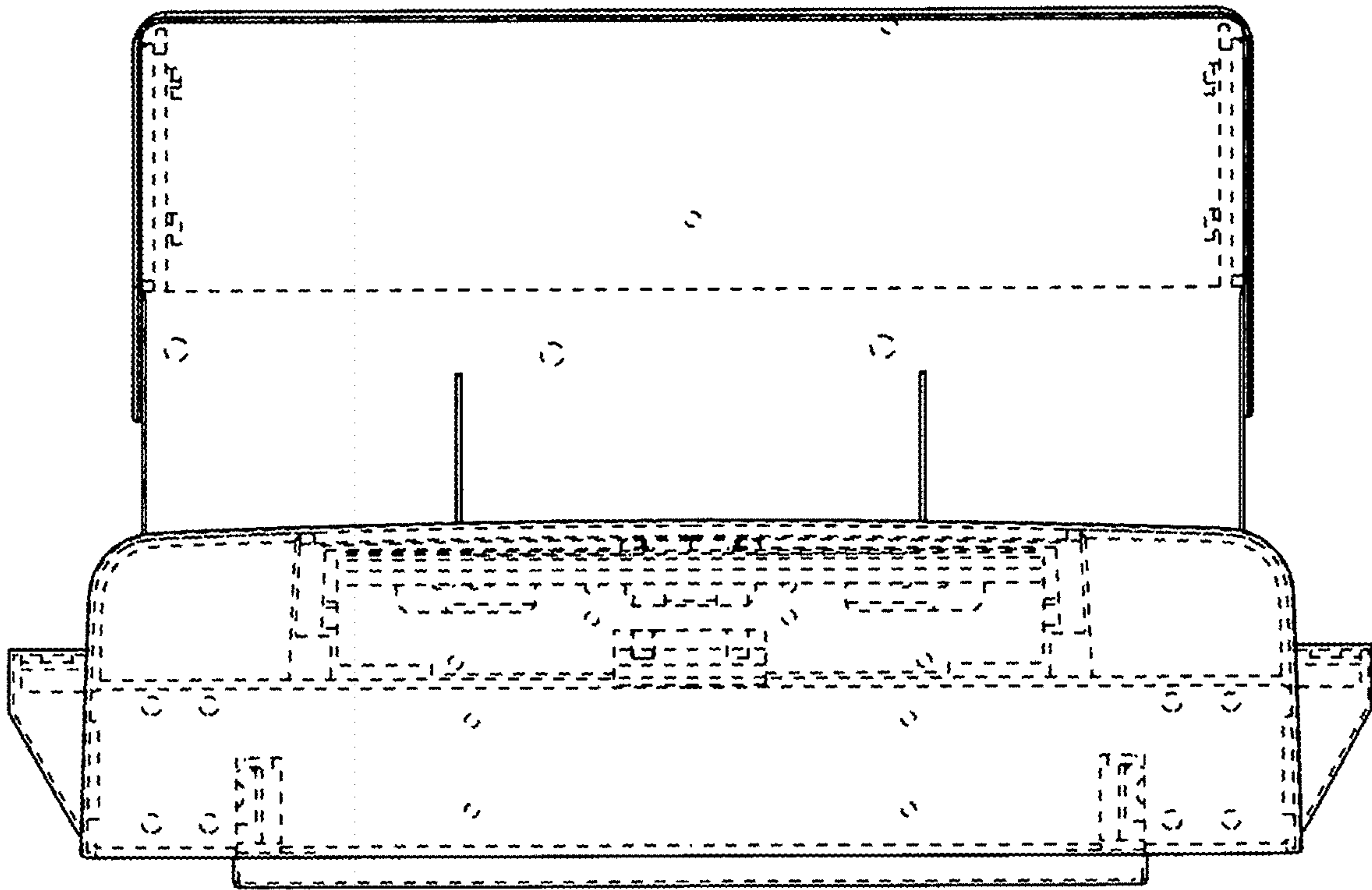
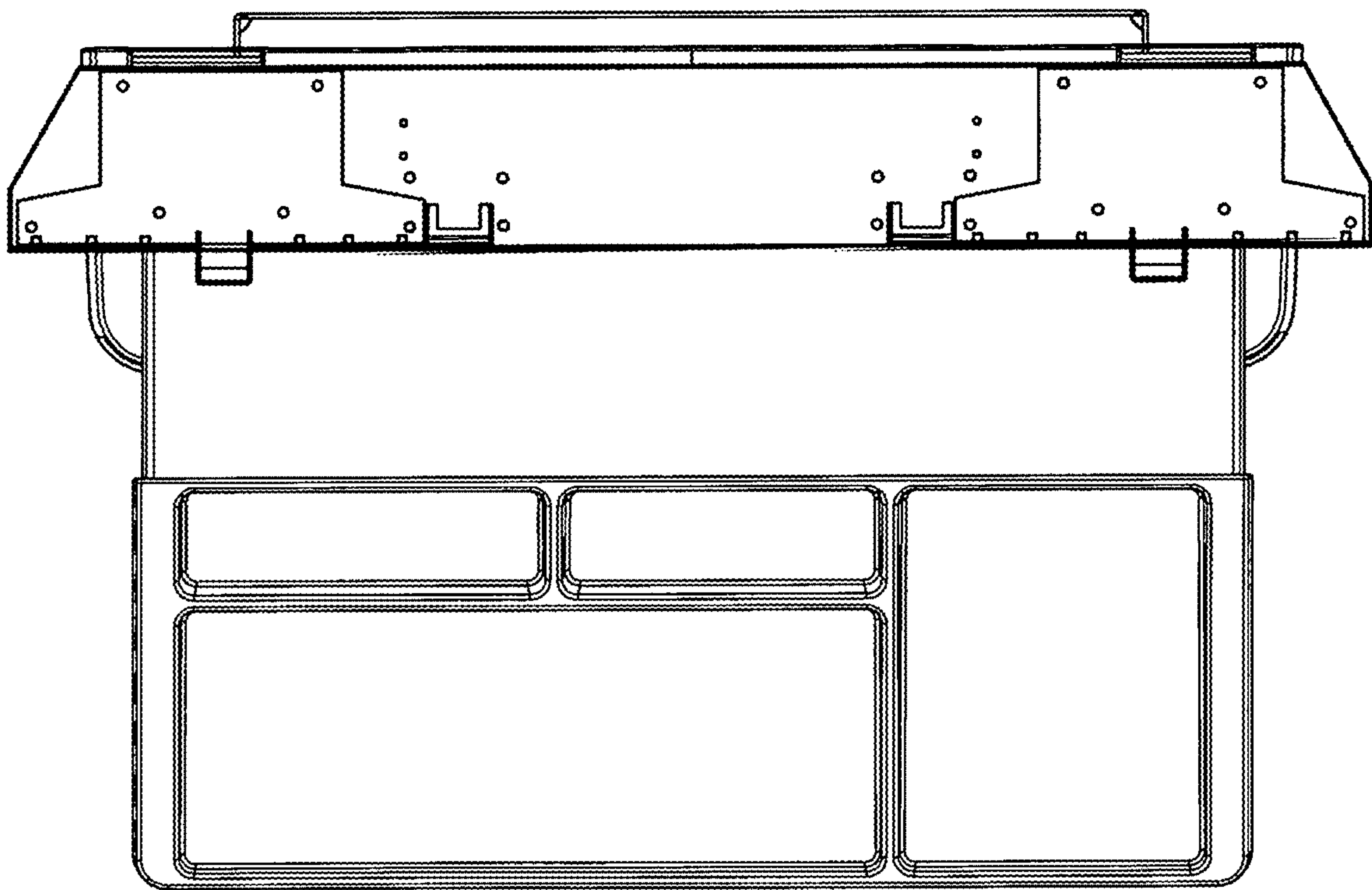
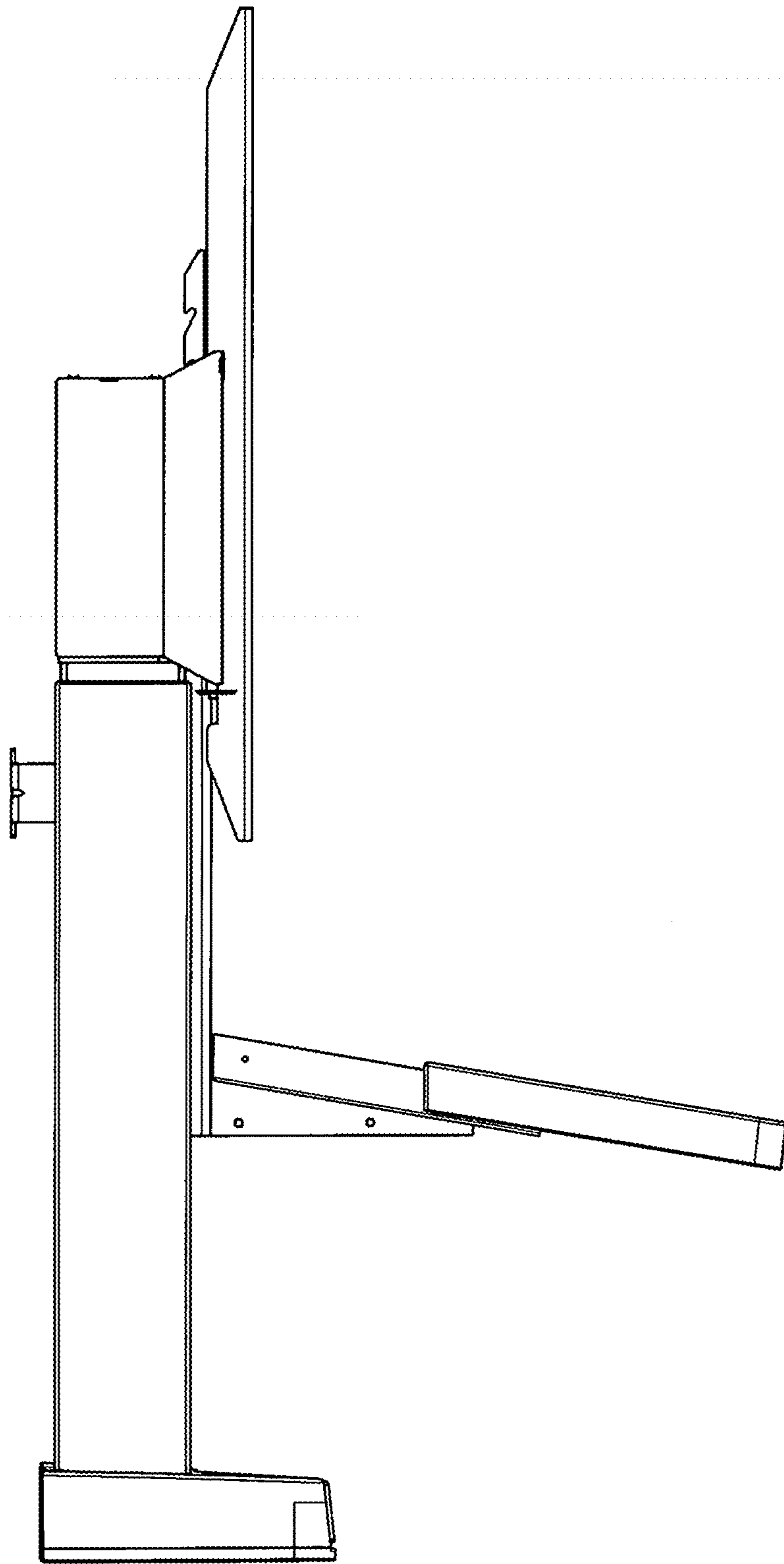


FIG. 9



*FIG. 10*



*FIG. 11*



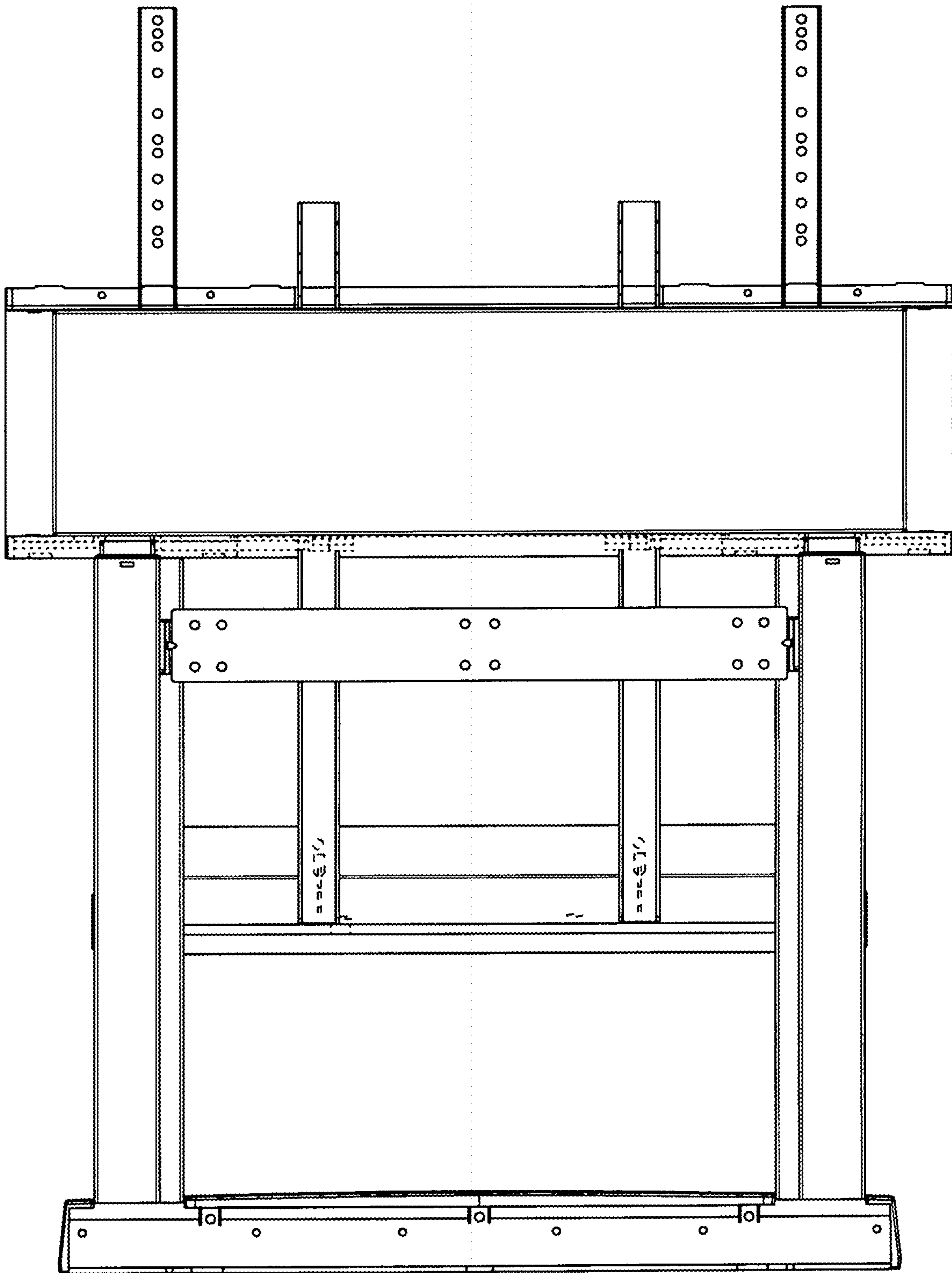


FIG. 12



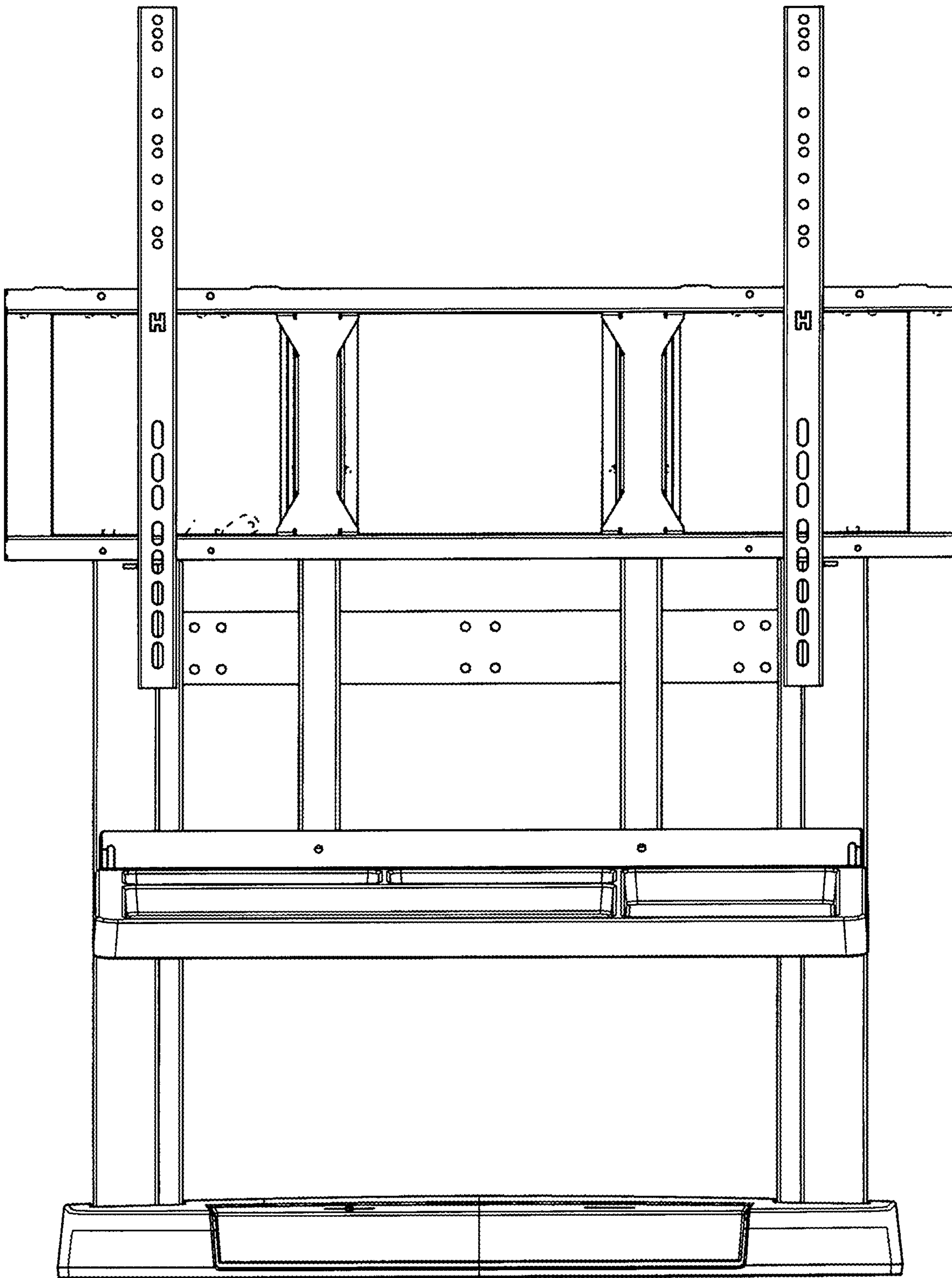


FIG. 13