

US00D873252S

(12) **United States Design Patent** (10) **Patent No.:** **US D873,252 S**  
**Fisher** (45) **Date of Patent:** **\*\* Jan. 21, 2020**

- (54) **ANTENNA**
- (71) Applicant: **Wiser Systems, Inc.**, Raleigh, NC (US)
- (72) Inventor: **Scott Fisher**, Raleigh, NC (US)
- (73) Assignee: **Wiser Systems, Inc.**, Raleigh, NC (US)
- (\*\*) Term: **15 Years**
- (21) Appl. No.: **29/702,829**
- (22) Filed: **Aug. 22, 2019**

**Related U.S. Application Data**

- (62) Division of application No. 29/566,145, filed on May 27, 2016, now Pat. No. Des. 864,176.
- (51) **LOC (12) Cl.** ..... **14-03**
- (52) **U.S. Cl.**  
USPC ..... **D14/238**; D14/230
- (58) **Field of Classification Search**  
USPC ..... D14/138, 299, 358, 230-238  
CPC ..... H01Q 7/00; H01Q 13/10; H01Q 9/285;  
H01Q 19/30; H01Q 19/12; H01Q 1/38;  
H04B 1/0475; H04B 1/034; H05K 11/00  
See application file for complete search history.

**References Cited**

**U.S. PATENT DOCUMENTS**

- D176,069 S \* 11/1955 Kamp ..... D14/229
- 3,090,960 A \* 5/1963 Ingledew ..... H01Q 1/085  
343/906
- D320,602 S \* 10/1991 Wells ..... D14/238
- D338,206 S \* 8/1993 Sawaguchi ..... D14/230
- D401,593 S \* 11/1998 Nishimura ..... D14/230
- D401,594 S \* 11/1998 Nishimura ..... D14/230
- D466,495 S \* 12/2002 Beraut ..... D14/227
- D502,172 S \* 2/2005 Chen ..... D14/227
- D504,679 S \* 5/2005 Huang ..... D14/230

- D595,701 S \* 7/2009 Chuang ..... D14/238
- D617,319 S \* 6/2010 Maffetone ..... D14/230
- D623,174 S \* 9/2010 Hakamata ..... D14/230
- D666,178 S \* 8/2012 Schneider ..... D14/230
- D741,843 S \* 10/2015 Heinrich ..... D14/231
- D744,986 S \* 12/2015 Huerta ..... D14/230
- D752,027 S \* 3/2016 Yang ..... D14/230
- D775,331 S \* 12/2016 Buhler ..... D24/133
- D789,915 S \* 6/2017 Heinrich ..... D14/230
- D790,515 S \* 6/2017 Heinrich ..... D14/230
- D864,176 S \* 10/2019 Fisher ..... D14/230
- D864,923 S \* 10/2019 Yang ..... D14/230

\* cited by examiner

*Primary Examiner* — Keli L Hill

*Assistant Examiner* — Harold E Blackwell, II

(74) *Attorney, Agent, or Firm* — Stanek Lemon Crouse & Meeks, PA

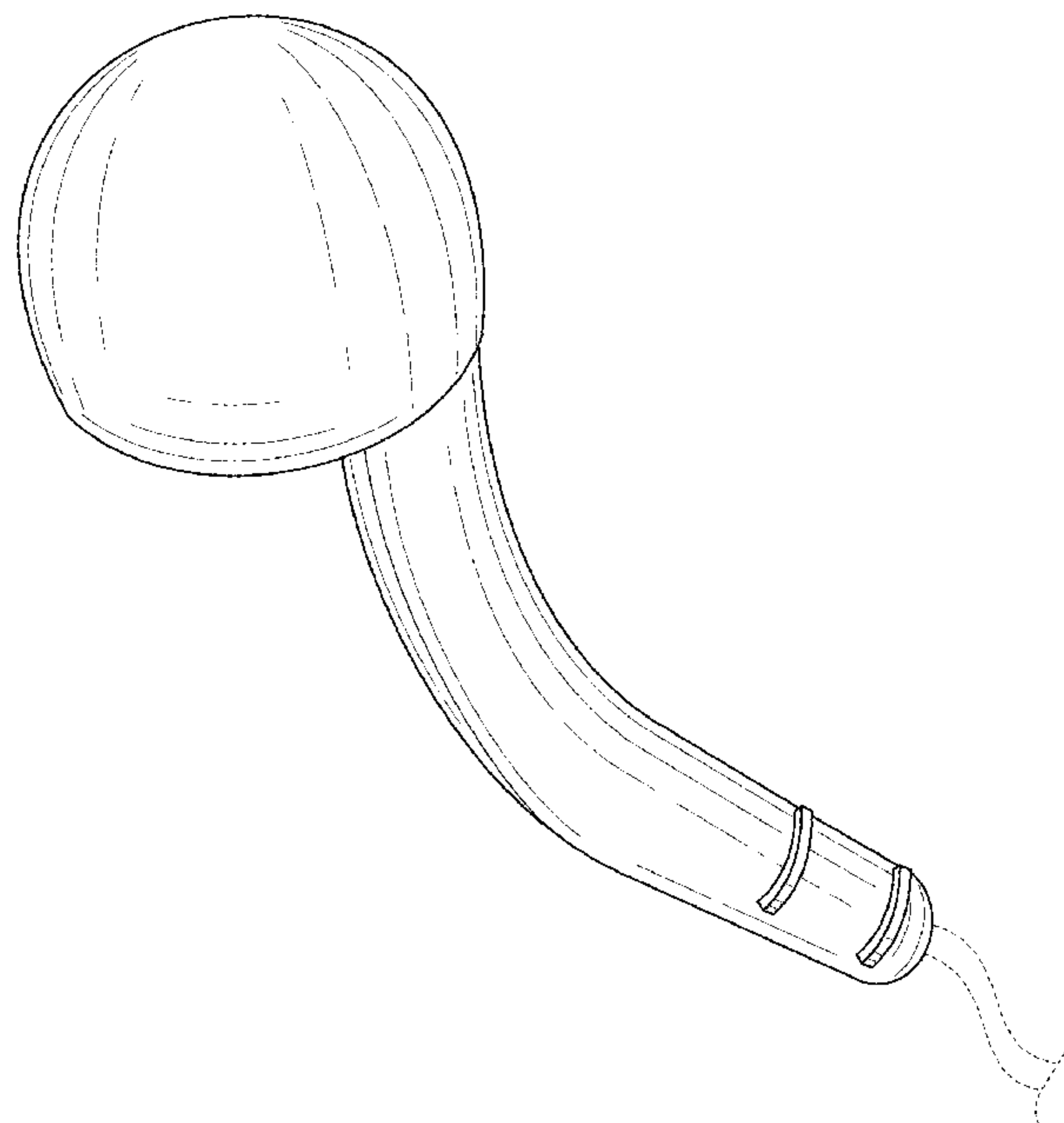
(57) **CLAIM**

The ornamental design for an antenna, as shown and described.

**DESCRIPTION**

FIG. 1 is a perspective view of an antenna showing my design;  
 FIG. 2 is a first side view thereof;  
 FIG. 3 is a second side view thereof, opposite that shown in FIG. 2;  
 FIG. 4 is another side view thereof, 90 degrees offset from that shown in FIG. 2;  
 FIG. 5 is another side view thereof, opposite that shown in FIG. 4;  
 FIG. 6 is a top view of the antenna; and,  
 FIG. 7 is a bottom view thereof.  
 The broken lines in the drawings illustrate portions of the antenna which form no part of the claimed design.

**1 Claim, 7 Drawing Sheets**



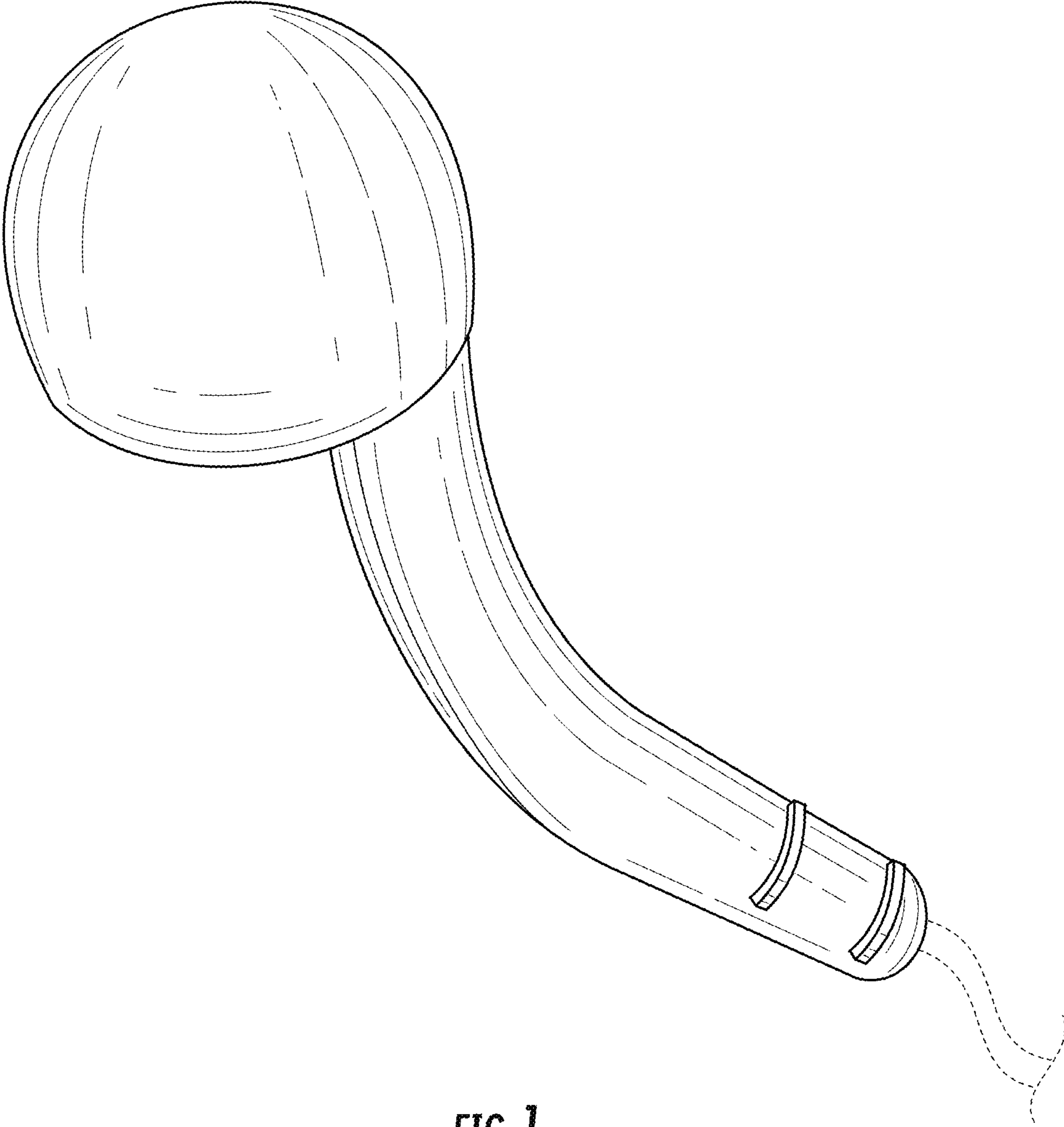


FIG. 1

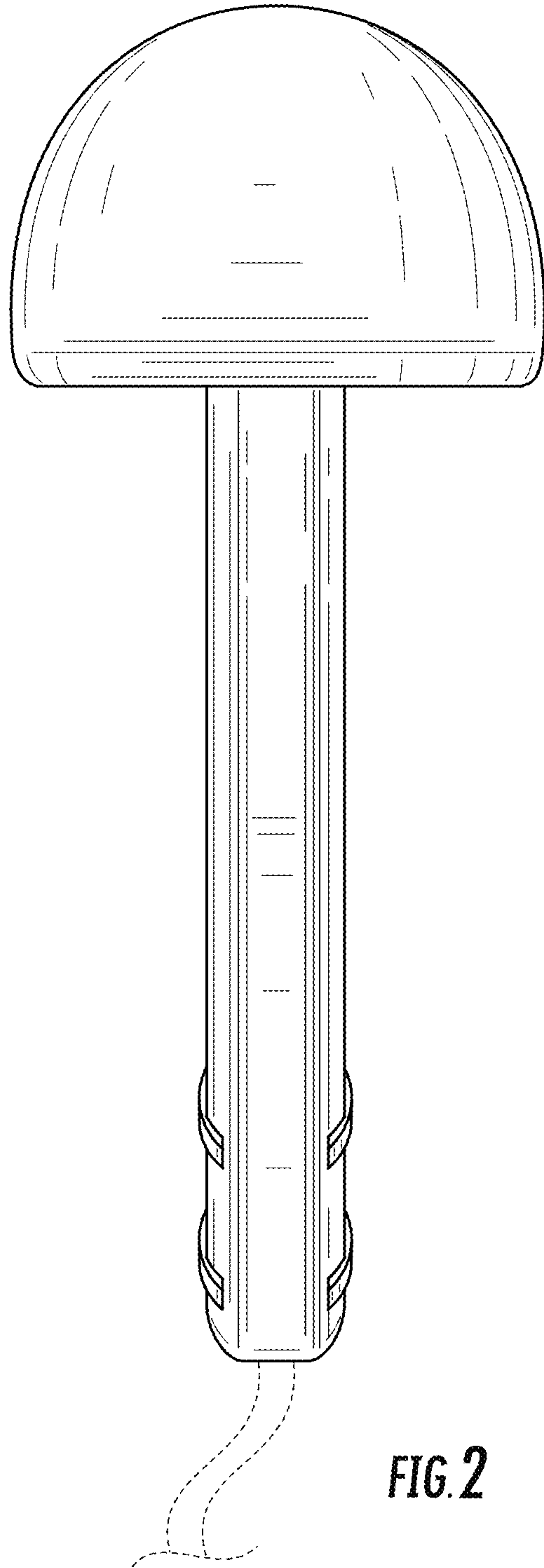
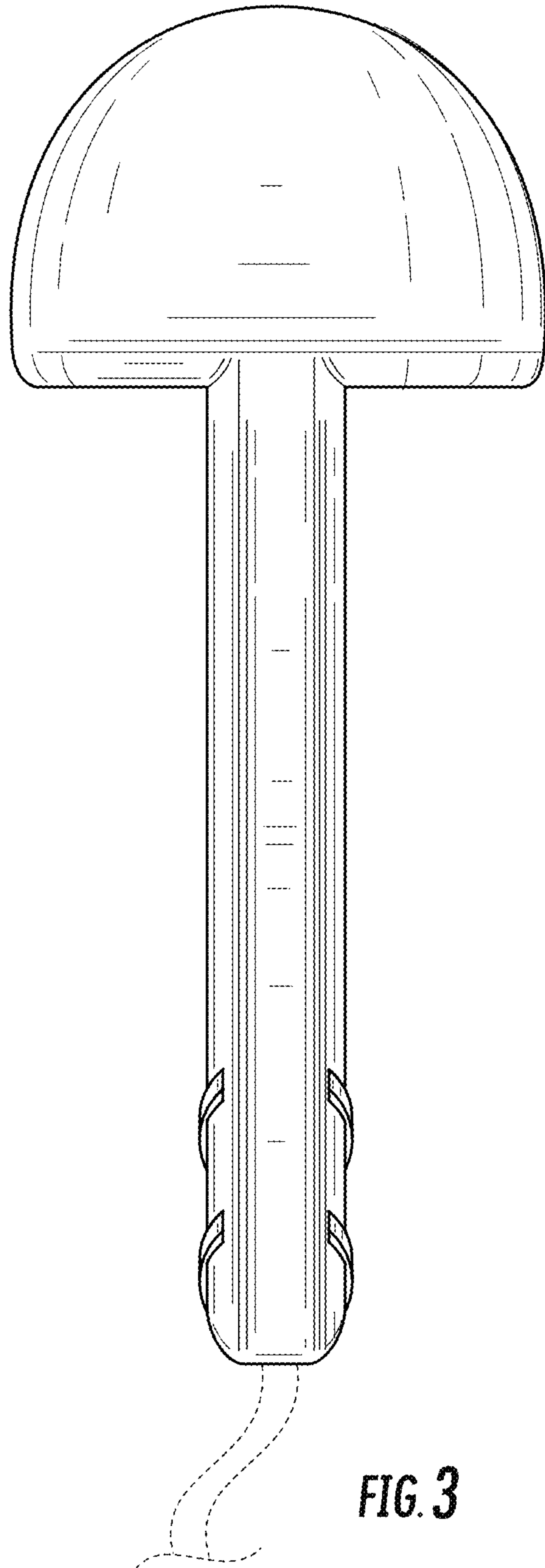


FIG. 2



**FIG. 3**

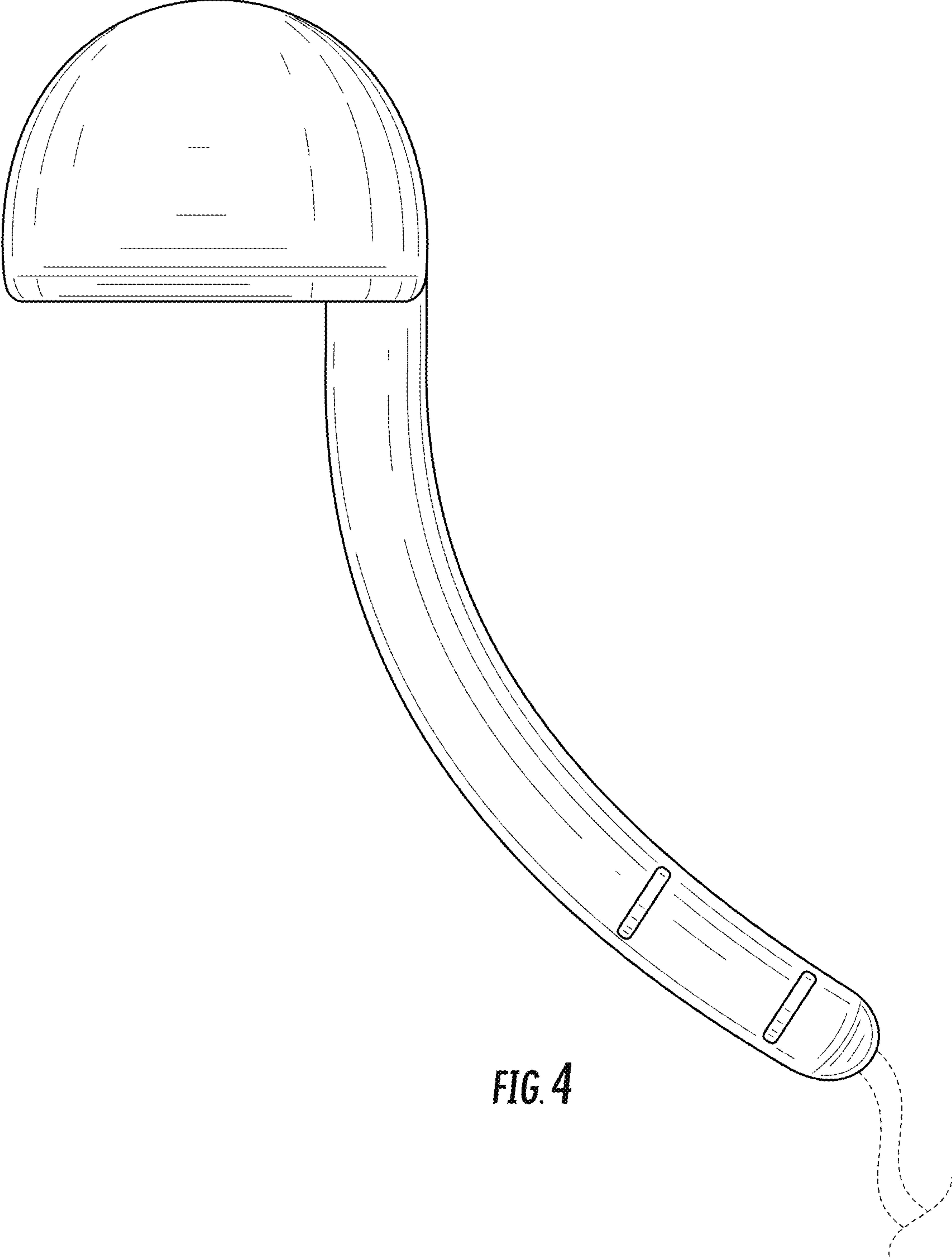


FIG. 4

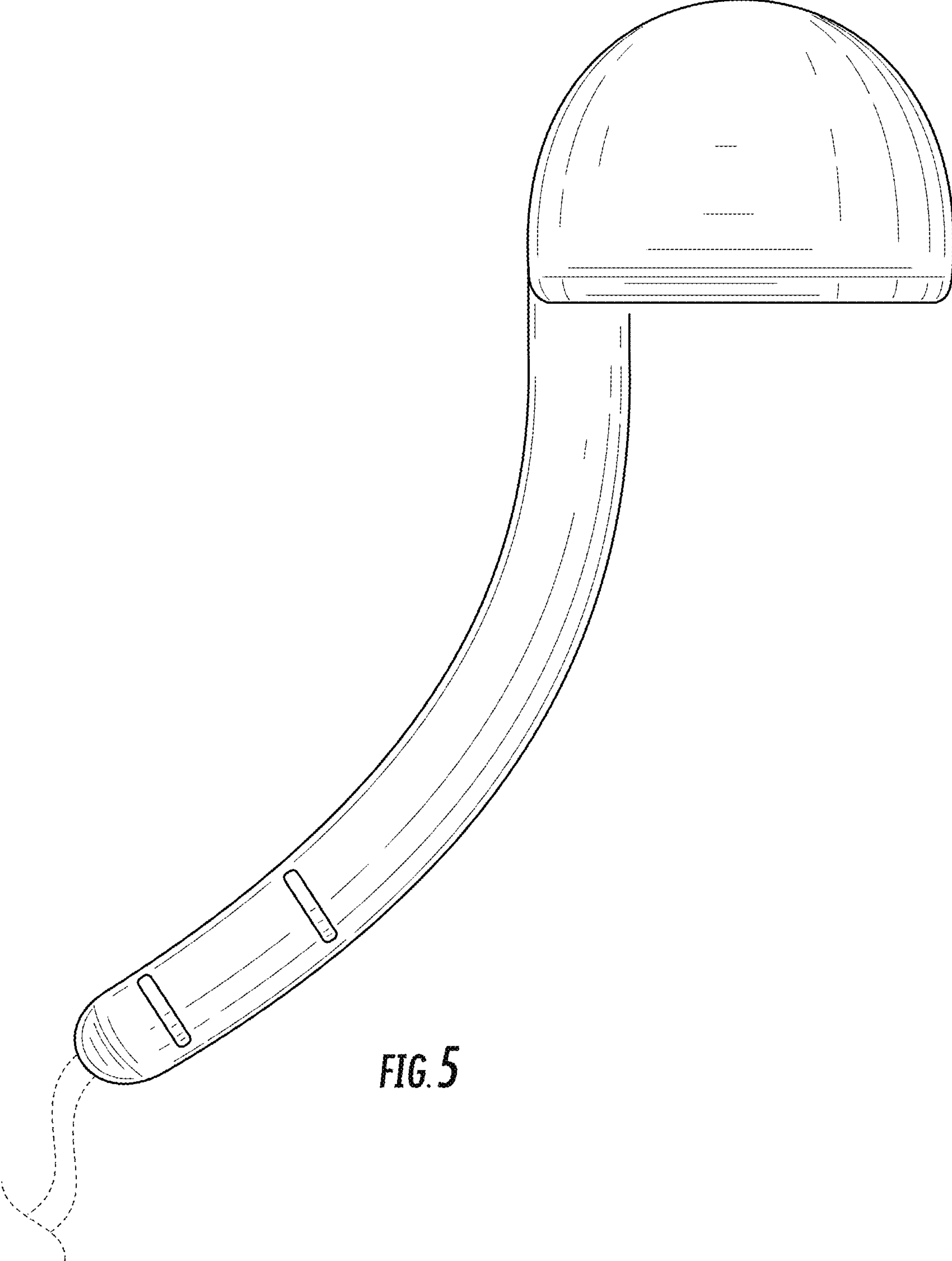


FIG. 5

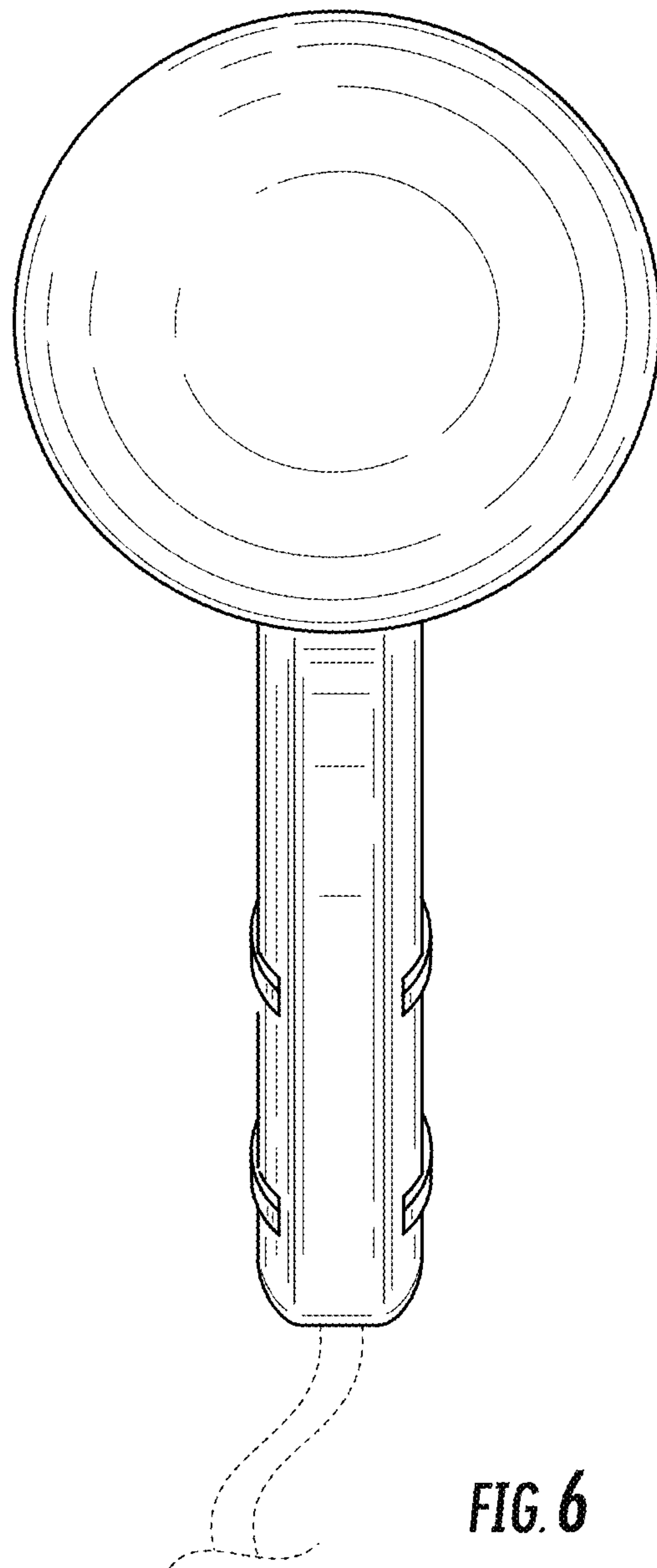


FIG. 6



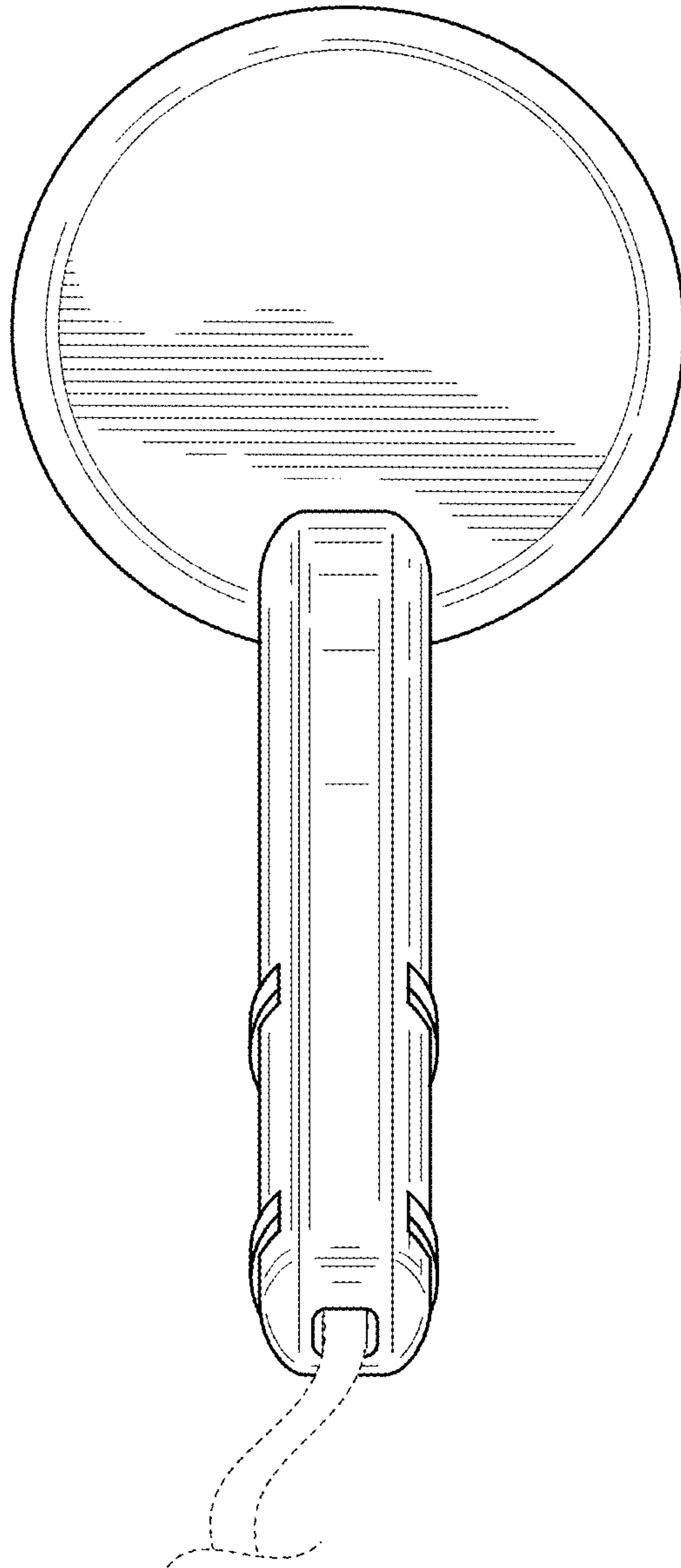


FIG. 7