



US00D873251S

(12) **United States Design Patent** (10) **Patent No.:** **US D873,251 S**  
**Yang** (45) **Date of Patent:** **\*\* Jan. 21, 2020**

(54) **ANTENNA**  
(71) Applicant: **SHENZHEN ANTOP TECHNOLOGY LIMITED**, Shenzhen (CN)  
(72) Inventor: **Ruidian Yang**, Shenzhen (CN)  
(73) Assignee: **SHENZHEN ANTOP TECHNOLOGY LIMITED**, Shenzhen (CN)  
(\*\*) Term: **15 Years**  
(21) Appl. No.: **29/691,940**  
(22) Filed: **May 21, 2019**

**Related U.S. Application Data**

(62) Division of application No. 29/617,825, filed on Sep. 15, 2017.  
(51) **LOC (12) Cl.** ..... **14-03**  
(52) **U.S. Cl.**  
USPC ..... **D14/230**  
(58) **Field of Classification Search**  
USPC ..... D14/230-238, 138, 172, 188, 203.1, D14/203.3, 203.6, 204, 216, 221, 238.1, D14/240, 242, 299, 314, 343, 356, 358, D14/496, 509, 497, 498, 500, 506, D14/168-171, 195, 211, 265  
CPC ..... H01Q 1/12; H01Q 1/22; H01Q 1/007; H01Q 1/38; H01Q 7/00; H01Q 9/40; H01Q 9/285; H01Q 9/065; H01Q 9/44; H01Q 9/265; H01Q 19/10; H01Q 19/106; H01Q 19/12; H01Q 19/13; H01Q 19/15; H01Q 19/30; H01Q 21/28; H01Q 21/06; H01Q 21/062; H01Q 21/293; G05D 1/02; G05D 1/0234  
See application file for complete search history.

(56) **References Cited**  
U.S. PATENT DOCUMENTS  
D188,495 S † 8/1960 Gould ..... D14/230  
D358,820 S † 5/1995 Gunnarsson ..... D14/238  
D364,874 S † 12/1995 Cheng ..... D14/230  
D418,840 S † 1/2000 Cota ..... D12/333  
D426,233 S † 6/2000 Chrisey ..... 343/795  
D427,997 S † 7/2000 Inoue ..... D14/230  
6,307,524 B1 \* 10/2001 Britain ..... H01Q 19/30  
343/795  
D468,302 S † 1/2003 Sato ..... D14/235  
(Continued)

**OTHER PUBLICATIONS**

Antop AV-182, online, no post date, URL: <http://www.antop.com/av-182>, retrieved Jun. 25, 2019.\*  
(Continued)

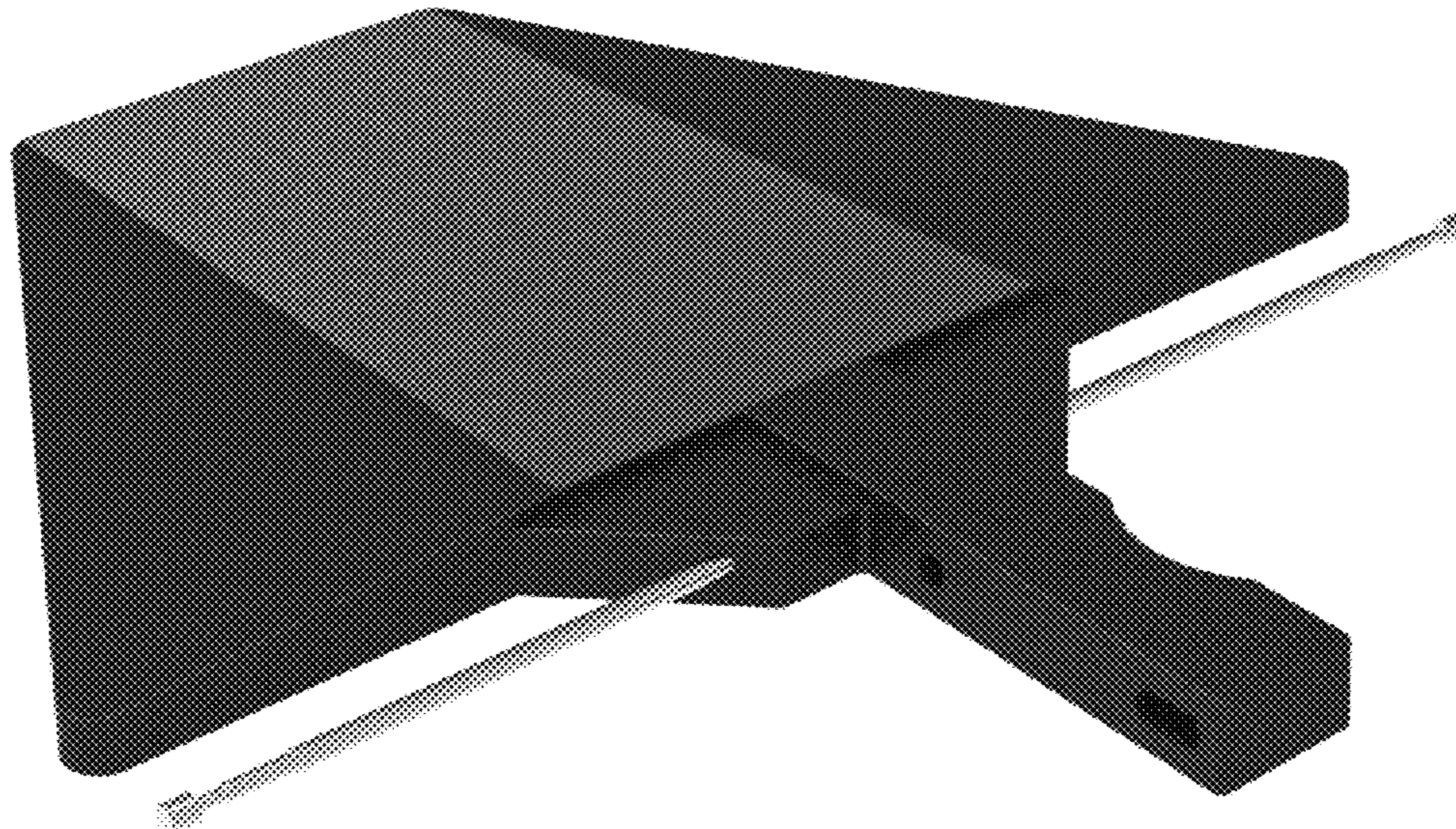
*Primary Examiner* — Jeffrey D Asch  
*Assistant Examiner* — Rebekah A Caruso  
(74) *Attorney, Agent, or Firm* — Muncy, Geissler, Olds & Lowe, P.C.

(57) **CLAIM**  
The ornamental design for an antenna, as shown and described.

**DESCRIPTION**

FIG. 1 is a front elevational view of an antenna showing my new design;  
FIG. 2 is a rear elevational view thereof;  
FIG. 3 is a left side elevational view thereof;  
FIG. 4 is a right side elevational view thereof;  
FIG. 5 is a top plan view thereof;  
FIG. 6 is a bottom plan view thereof;  
FIG. 7 is a front, bottom, left perspective view thereof;  
FIG. 8 is a front, bottom, right perspective view thereof; and,  
FIG. 9 is a front, top, left perspective view thereof.

**1 Claim, 9 Drawing Sheets**



(56)

**References Cited**

U.S. PATENT DOCUMENTS

D520,990	S	‡	5/2006	Kowalewicz	.....	D14/230
D533,545	S	‡	12/2006	Inoue	.....	D14/230
D590,816	S	‡	4/2009	Chao	.....	D14/230
RE47,282	E	‡	3/2019	Tompkin	.....	H04M 1/02 D14/221
D845,934	S	*	4/2019	Snyker	.....	D14/230
D845,935	S	*	4/2019	Snyker	.....	D14/230
2006/0125711	A1	‡	6/2006	Wang	.....	H01Q 3/04 343/882

OTHER PUBLICATIONS

Antop AV-183, online, no post date, URL: <http://www.antop.com/av-183>, retrieved May 16, 2019.‡

\* cited by examiner

‡ imported from a related application

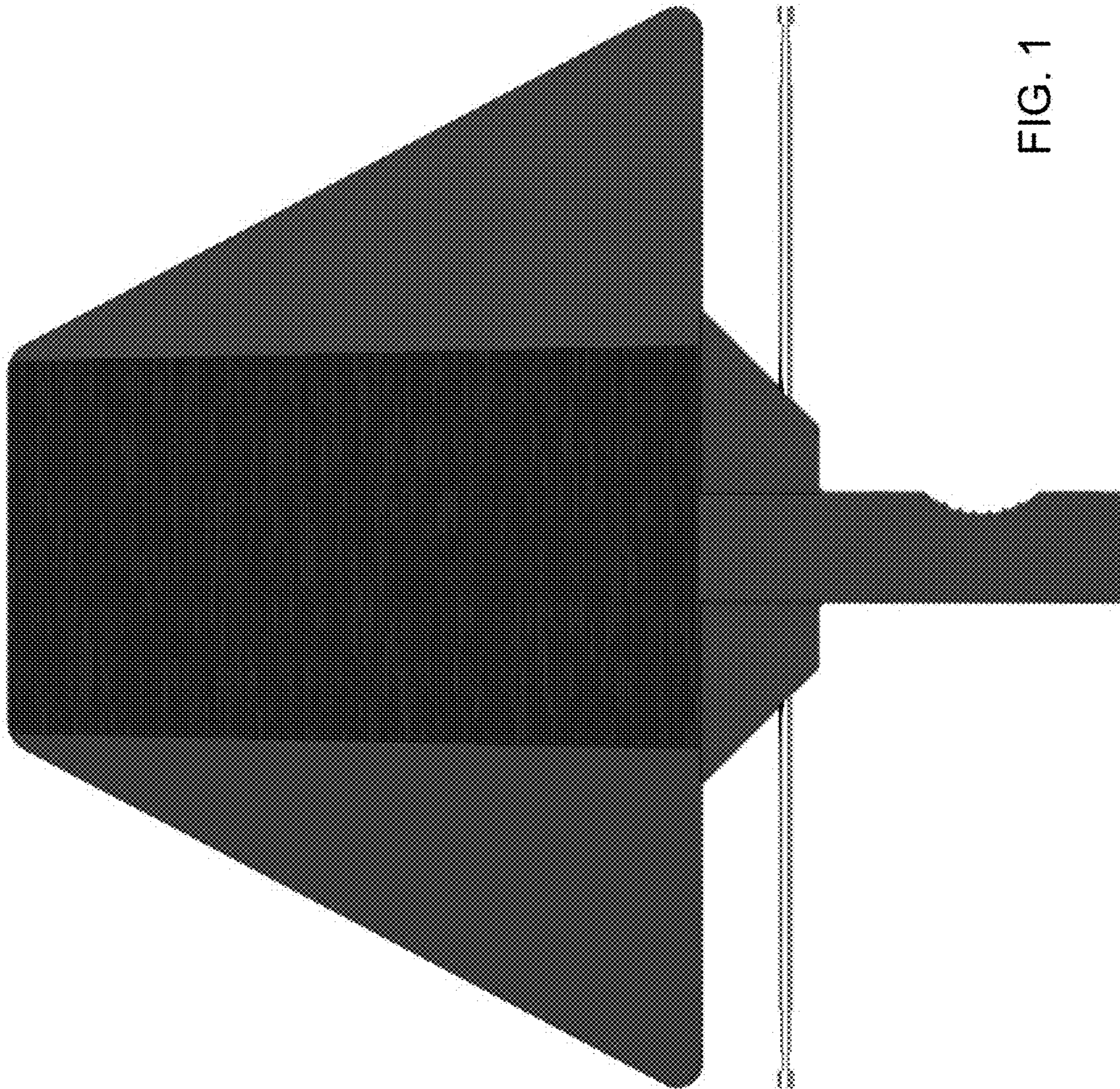


FIG. 1

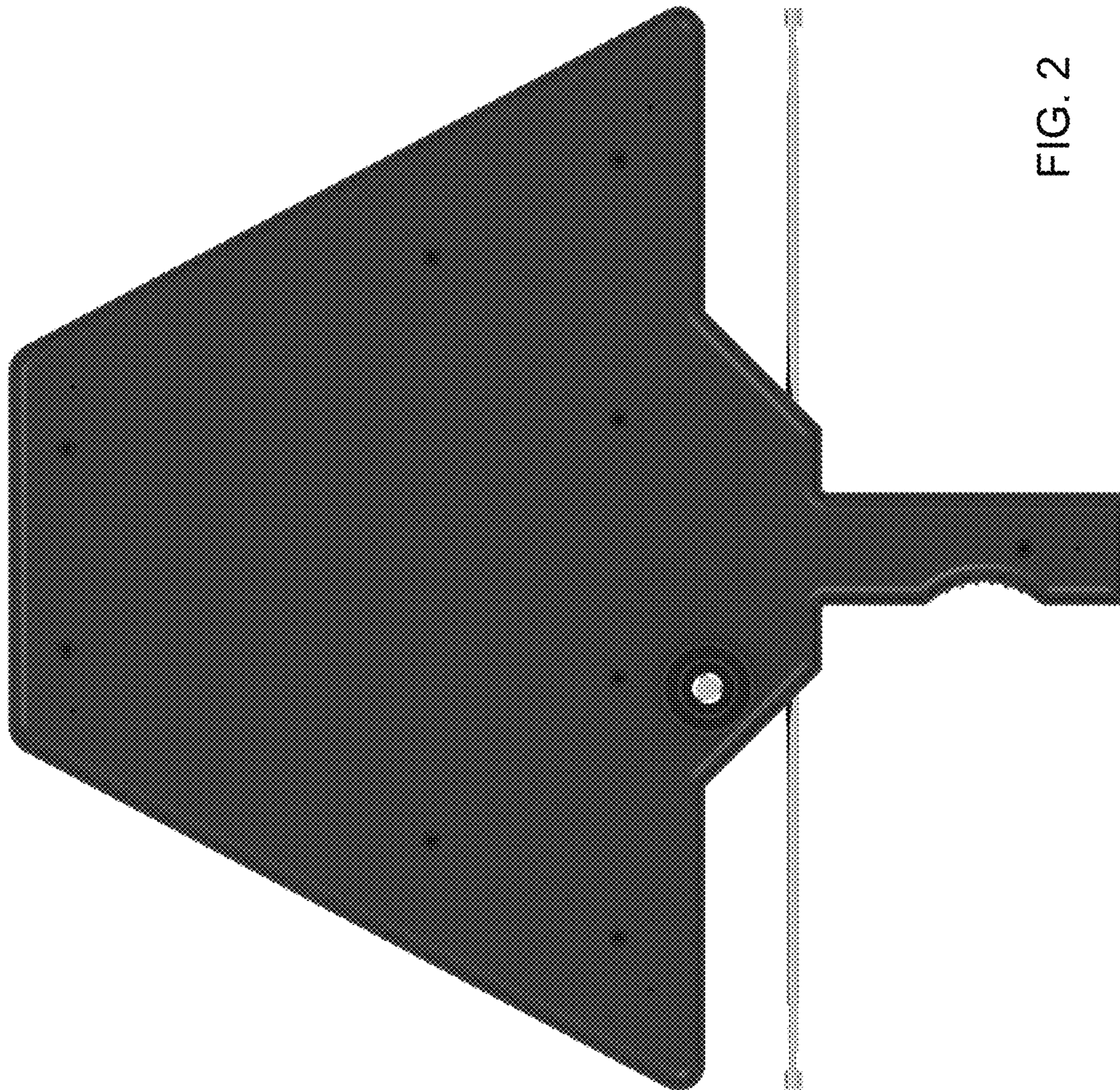


FIG. 2



FIG. 3

FIG. 4



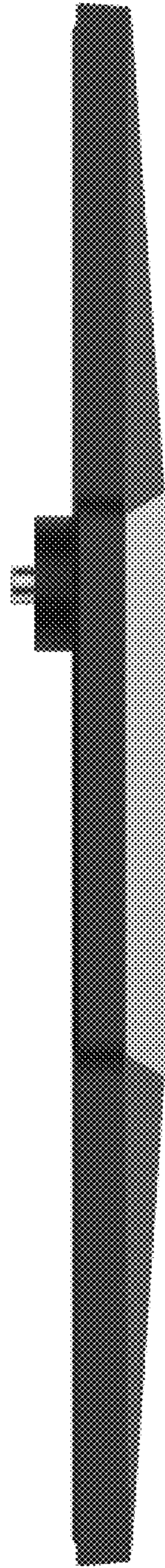


FIG. 5

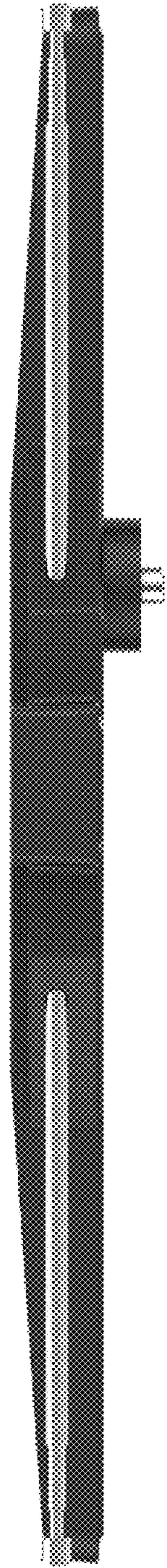


FIG. 6



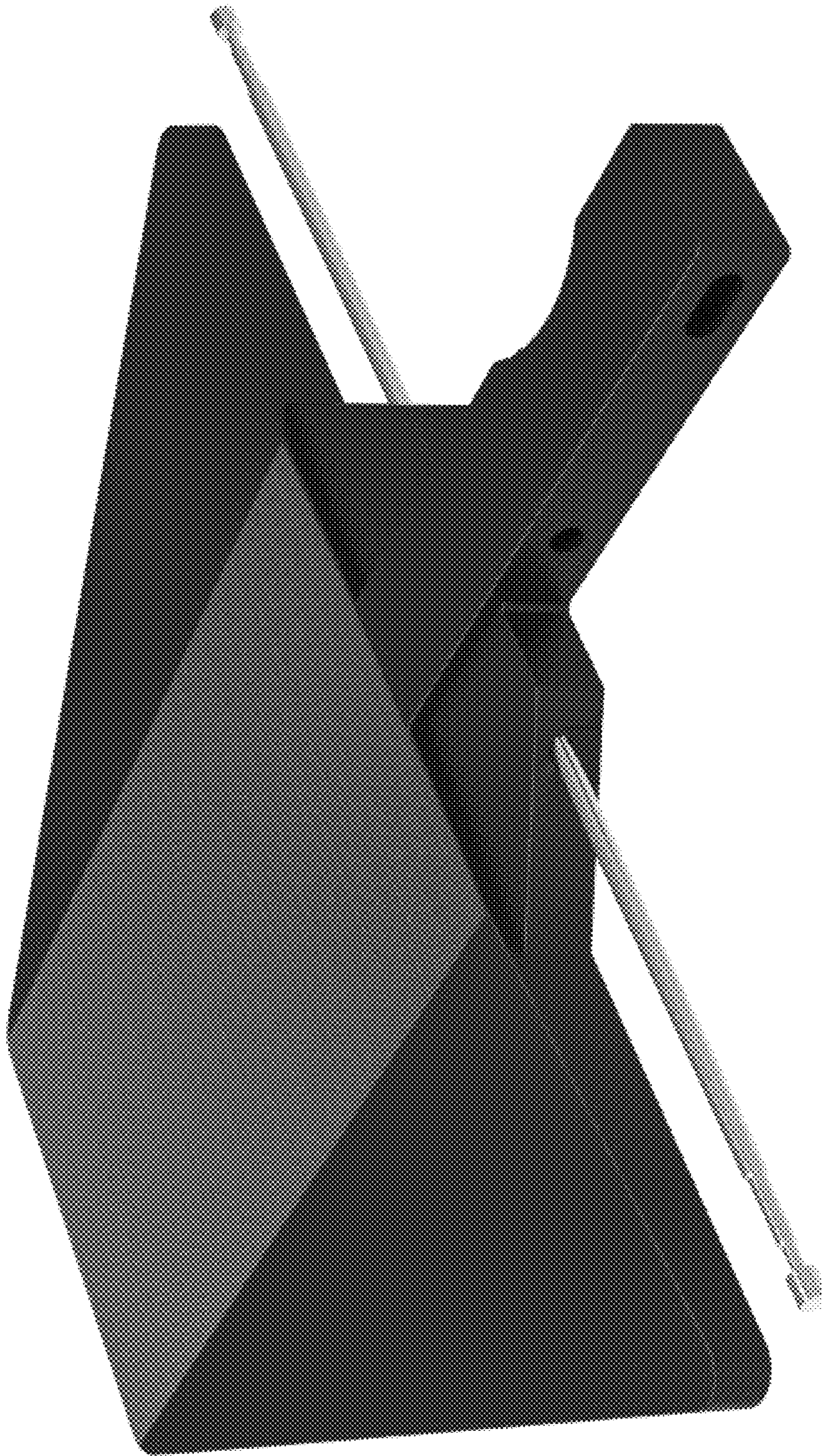


FIG. 7

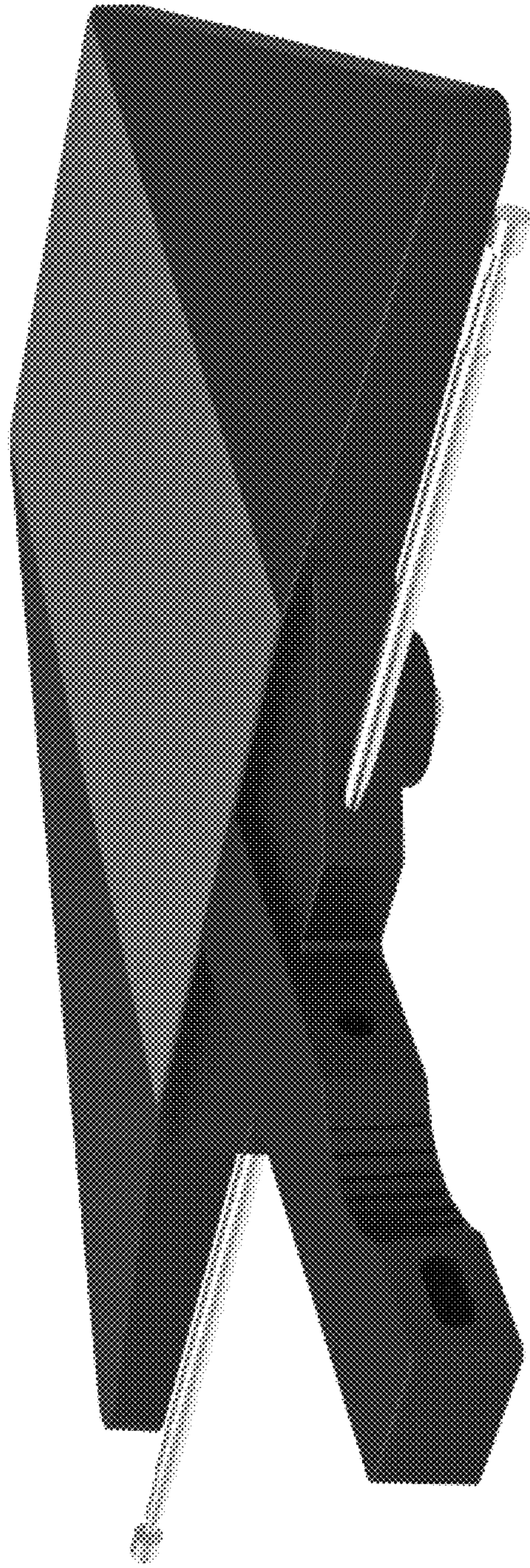


FIG. 8

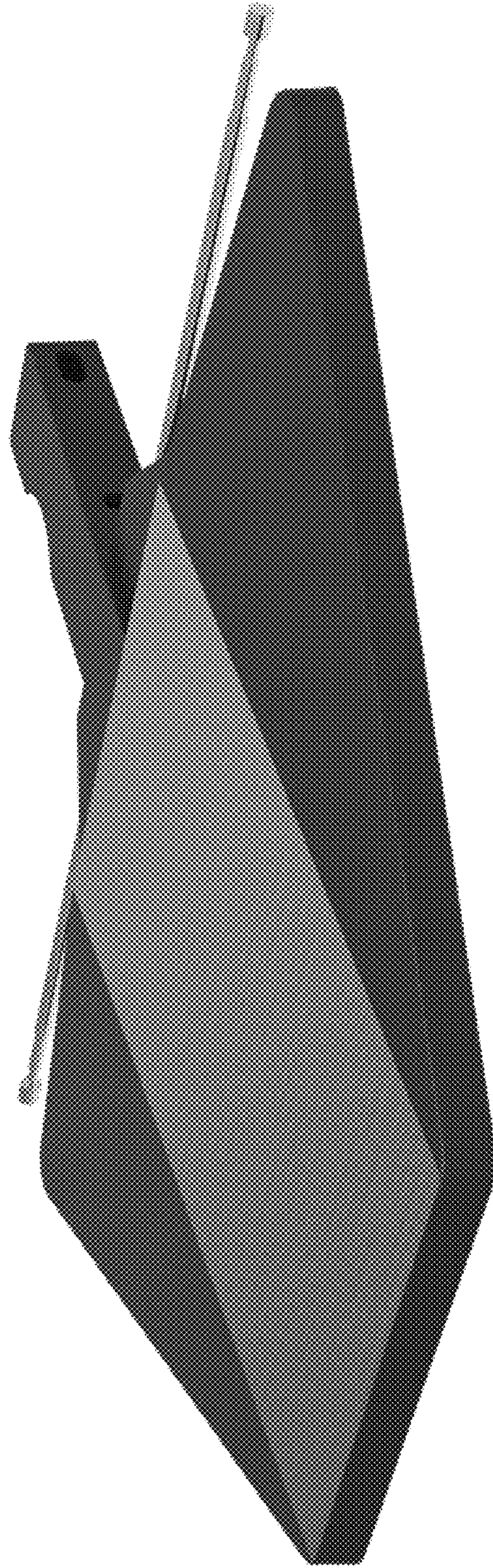


FIG. 9