



US00D873248S

(12) **United States Design Patent**
Weicheng et al.

(10) **Patent No.:** **US D873,248 S**

(45) **Date of Patent:** **** Jan. 21, 2020**

(54) **PAIR OF EARPHONES**

(71) Applicant: **SHENZHEN GRANDSUN ELECTRONIC CO., LTD.**, Shenzhen, Guangdong (CN)

(72) Inventors: **Zhong Weicheng**, Shenzhen (CN); **Wu Haiquan**, Shenzhen (CN); **Tang Zhonghui**, Shenzhen (CN); **Peng Jiugao**, Shenzhen (CN); **Shi Ruiwen**, Shenzhen (CN)

(73) Assignee: **SHENZHEN GRANDSUN ELECTRONIC CO., LTD.**, Shenzhen, Guangdong (CN)

(**) Term: **15 Years**

(21) Appl. No.: **29/655,667**

(22) Filed: **Jul. 5, 2018**

(30) **Foreign Application Priority Data**

Jan. 5, 2018 (CN) 2018 3 0005022

(51) **LOC (12) Cl.** **14-01**

(52) **U.S. Cl.**
USPC **D14/223**

(58) **Field of Classification Search**
USPC D14/223, 205; D24/174; 181/129, 130, 181/135; 379/430, 431; 381/380, 381, 381/374; 455/90.3, 575.1, 569.1
(Continued)

(56) **References Cited**

U.S. PATENT DOCUMENTS

D176,810 S * 1/1956 Norris D14/192
D177,346 S * 4/1956 Norris D14/192

(Continued)

Primary Examiner — Paula Allen Greene

(74) *Attorney, Agent, or Firm* — Conley Rose, P.C.; Grant Rodolph

(57) **CLAIM**

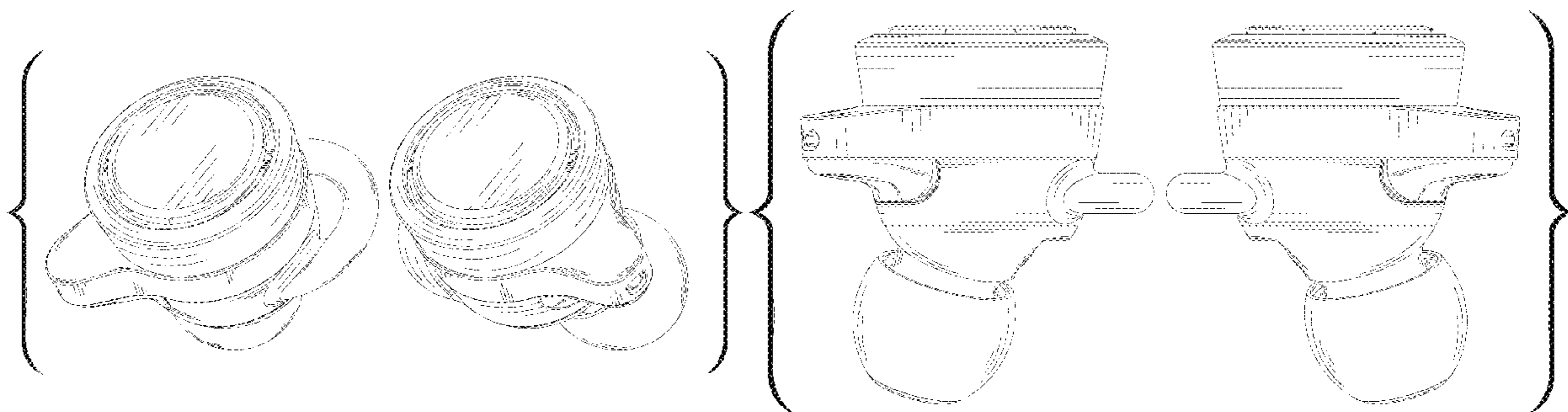
The ornamental design for a pair of earphones, as shown and described.

DESCRIPTION

FIG. 1 is a perspective view of an earphone of a pair of earphones showing our new design, the earphone is shown separately for ease of illustration;
FIG. 2 is a front view thereof;
FIG. 3 is a rear view thereof;
FIG. 4 is a left side view thereof;
FIG. 5 is a right side view thereof;
FIG. 6 is a top view thereof;
FIG. 7 is a bottom view thereof;
FIG. 8 is a perspective view of a second embodiment of an earphone of a pair of earphones, shown separately for ease of illustration;
FIG. 9 is a front view thereof;
FIG. 10 is a rear view thereof;
FIG. 11 is a left side view thereof;
FIG. 12 is a right side view thereof;
FIG. 13 is a top view thereof;
FIG. 14 is a bottom view thereof;
FIG. 15 is a perspective view of a third embodiment of a pair of earphones thereof;
FIG. 16 is a second perspective view of an earphone;
FIG. 17 is a front view thereof;
FIG. 18 is a rear view thereof;
FIG. 19 is a left side of an earphone of a pair of earphones shown separately for ease of illustration thereof;
FIG. 20 is a right side of an earphone of the pair of earphones shown separately for ease of illustration thereof;
FIG. 21 is a top view thereof; and,
FIG. 22 is a bottom view thereof.

The design which is claimed is shown in solid lines in the drawings. The broken lines depict environment that forms no part of the claimed design.

1 Claim, 22 Drawing Sheets



(58) **Field of Classification Search**
 CPC H04R 1/10; H04R 25/00; H04R 1/1066;
 H04R 1/1016; H04R 5/033; H04R
 5/0335; H04R 1/105
 See application file for complete search history.

(56) **References Cited**

U.S. PATENT DOCUMENTS

3,440,365 A * 4/1969 Hazell H04M 1/05
 379/430
 4,069,400 A * 1/1978 Johanson H04R 25/60
 381/322
 4,457,396 A * 7/1984 James H04R 1/345
 181/129
 4,539,708 A * 9/1985 Norris H04B 1/088
 455/100
 D304,944 S * 12/1989 Behringer D14/188
 D321,881 S * 11/1991 Hopewell D14/192
 D350,961 S * 9/1994 Nakamura D14/205
 D443,261 S * 6/2001 Yuyama D14/223
 D452,857 S * 1/2002 Hong D14/206
 D464,638 S * 10/2002 Huang D14/205
 D469,755 S * 2/2003 Hlas D14/223
 D470,122 S * 2/2003 Hlas D14/205
 D470,123 S * 2/2003 Hlas D14/205
 6,772,853 B2 * 8/2004 Yang H04R 1/1066
 181/129
 6,830,124 B2 * 12/2004 Chiang A61F 11/08
 128/864
 D529,901 S * 10/2006 Ohta D14/223
 D543,972 S * 6/2007 Taylor D14/223
 D559,837 S * 1/2008 Nakano D14/223
 D574,814 S * 8/2008 Hammond D14/205
 D579,006 S * 10/2008 Kim D14/223
 D597,534 S * 8/2009 Christopher D14/223
 D603,380 S * 11/2009 Hutchieson D14/223
 D618,211 S * 6/2010 Oguro D14/205

D621,817 S * 8/2010 Brickstad D14/223
 D635,558 S * 4/2011 Zheng D14/206
 D652,817 S * 1/2012 Lee D14/205
 D660,292 S * 5/2012 Rautiainen D14/223
 D666,581 S * 9/2012 Perez D14/223
 D681,602 S * 5/2013 Koch D14/205
 D699,215 S * 2/2014 Koch D14/205
 D705,757 S * 5/2014 Yashiro H04R 1/10
 D14/223
 D711,356 S * 8/2014 Yang D14/223
 8,983,108 B2 * 3/2015 Ho H04R 1/1016
 181/135
 D729,775 S * 5/2015 Seo D14/205
 D733,103 S * 6/2015 Jeong D14/224
 D735,169 S * 7/2015 Shieh D14/223
 D761,770 S * 7/2016 Kanou D14/206
 D764,445 S * 8/2016 Czaniecki D14/223
 D773,439 S * 12/2016 Walker D14/205
 D777,710 S * 1/2017 Palmborg D14/223
 D788,079 S * 5/2017 Son D14/223
 D789,909 S * 6/2017 Hung D14/223
 D795,224 S * 8/2017 Valenzuela D14/223
 D809,487 S * 2/2018 Lee D14/223
 D822,646 S * 7/2018 Dang D14/223
 D841,626 S * 2/2019 Tang D14/223
 D845,932 S * 4/2019 Lu D14/223
 D852,783 S * 7/2019 Hueber D14/223
 D852,784 S * 7/2019 Cramer H04R 1/1041
 D14/223
 D864,919 S * 10/2019 Bonahoom D14/223
 2011/0142276 A1 * 6/2011 Uchida H04R 1/1075
 381/370
 2014/0064548 A1 * 3/2014 Chu H04R 1/1091
 381/380
 2014/0176699 A1 * 6/2014 Wang B60R 1/00
 348/118
 2014/0205125 A1 * 7/2014 Triato H04R 1/105
 381/330

* cited by examiner

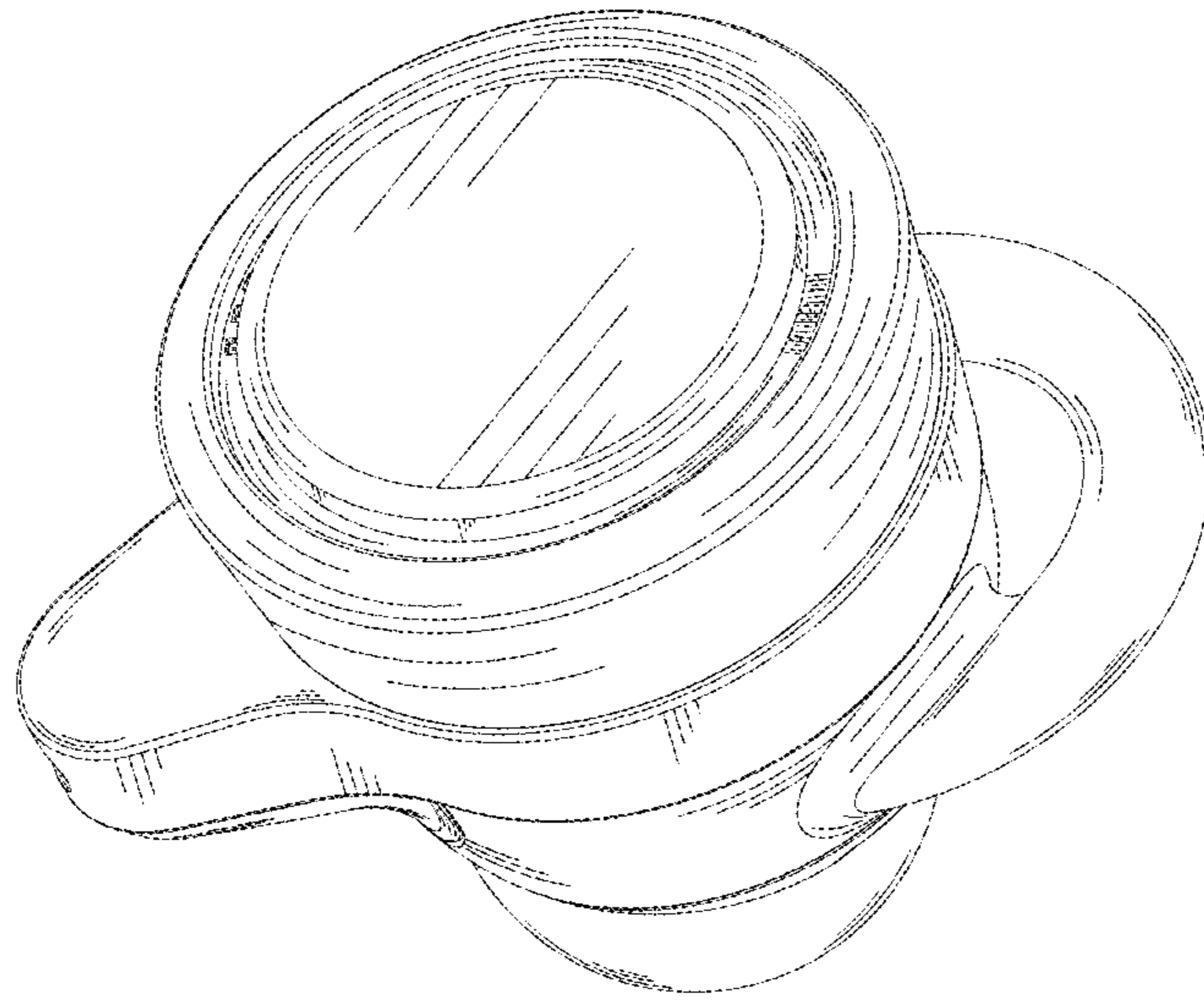


FIG. 1

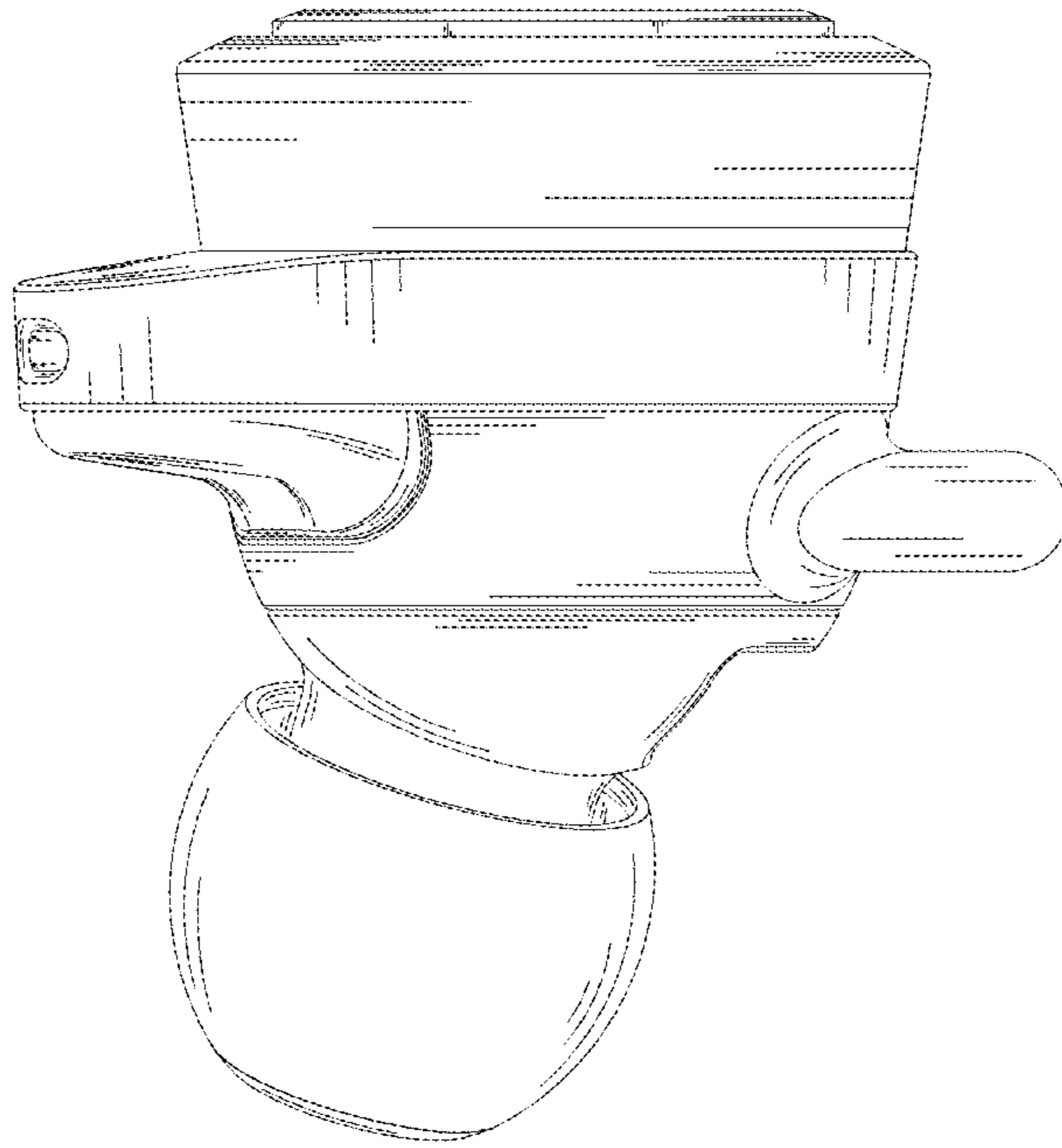


FIG. 2

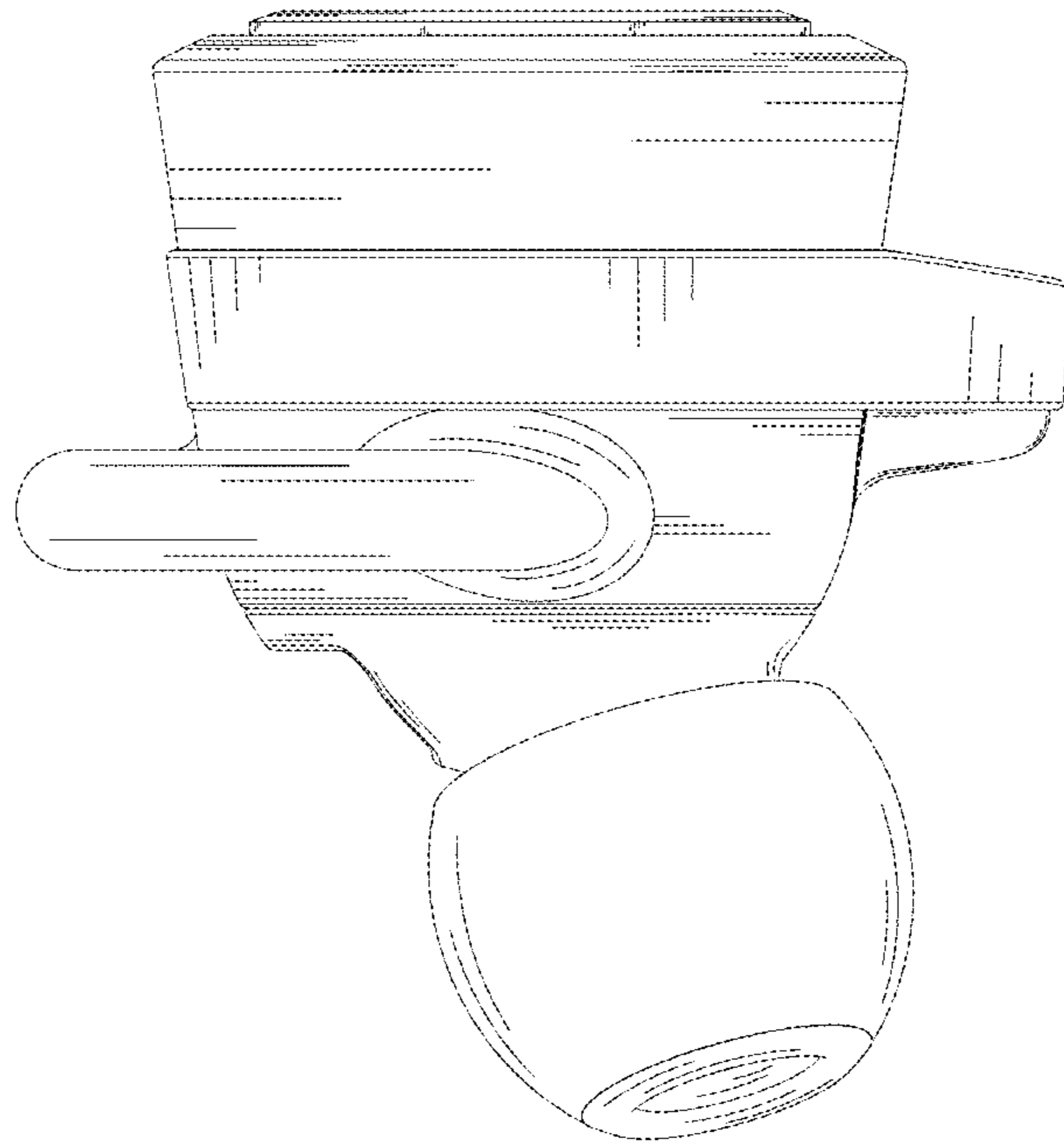


FIG. 3

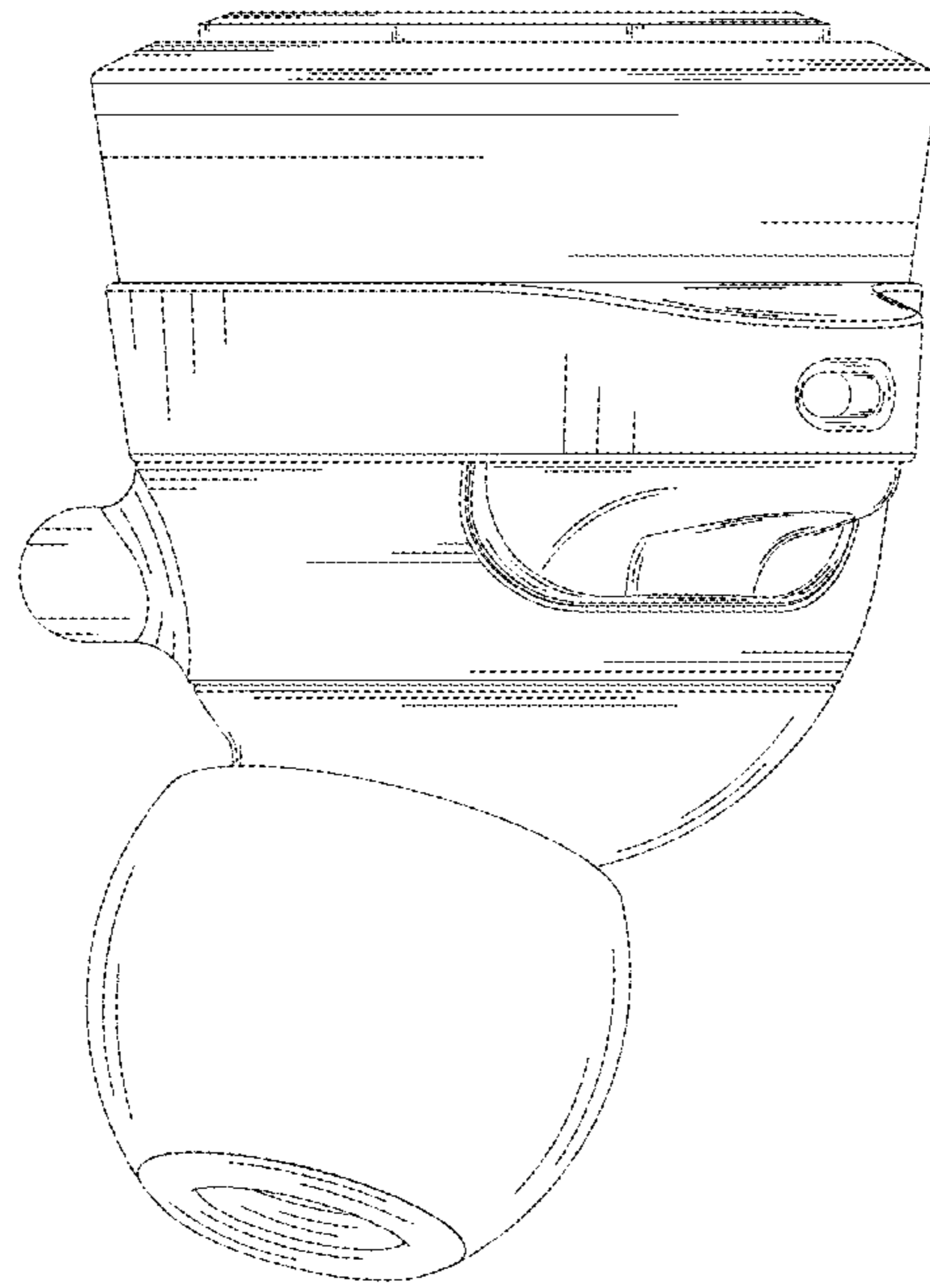


FIG. 4

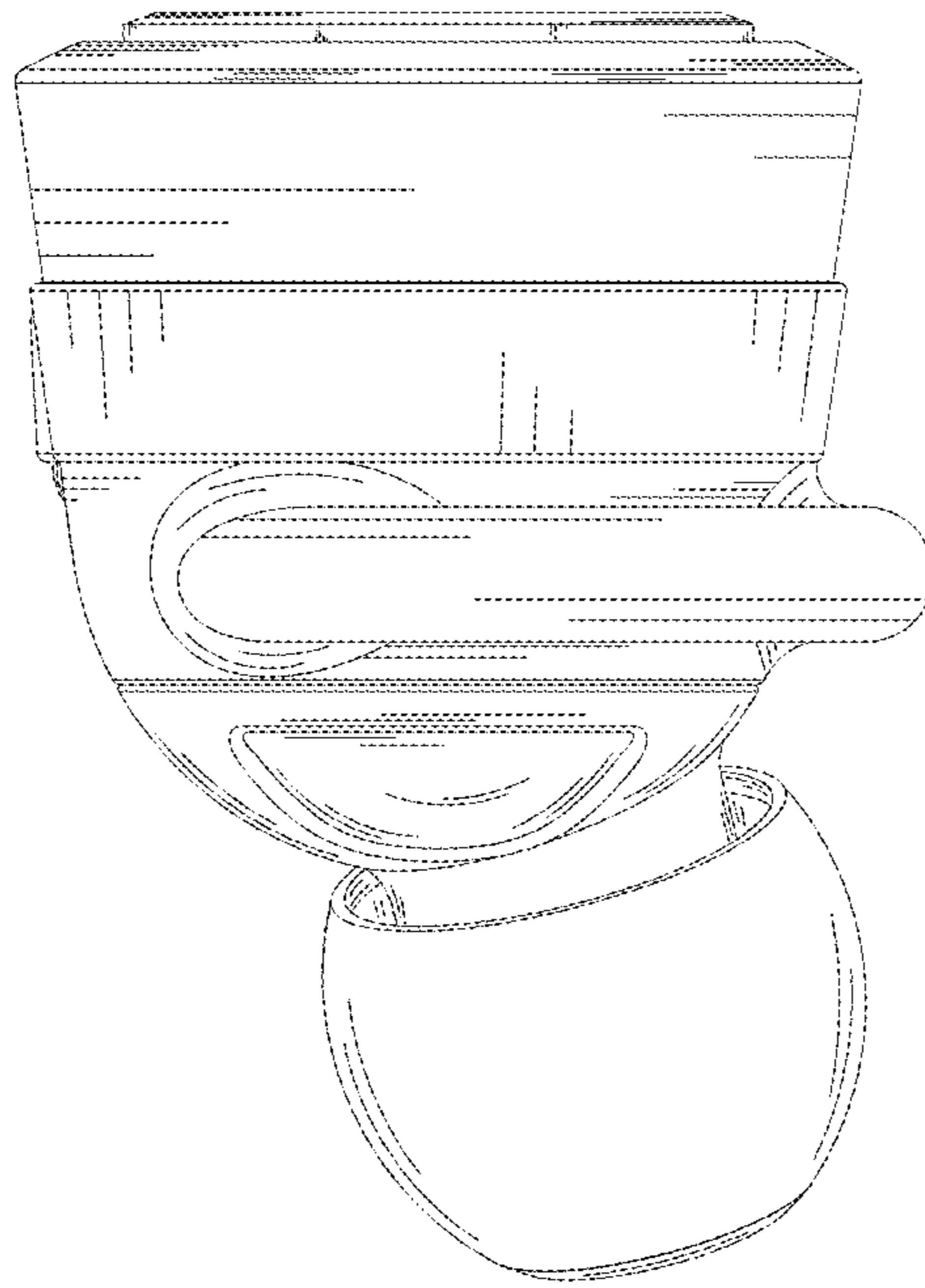


FIG. 5

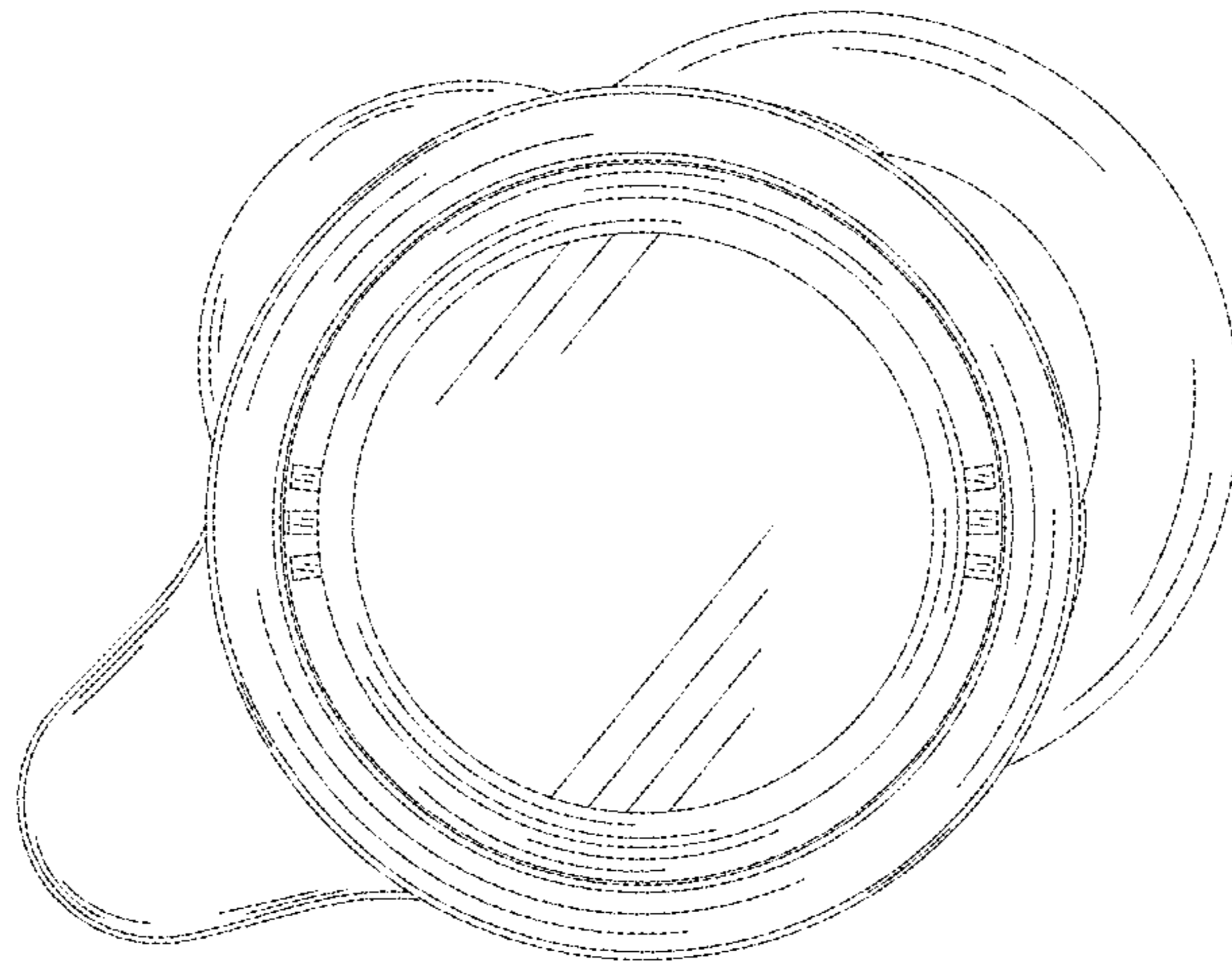


FIG. 6

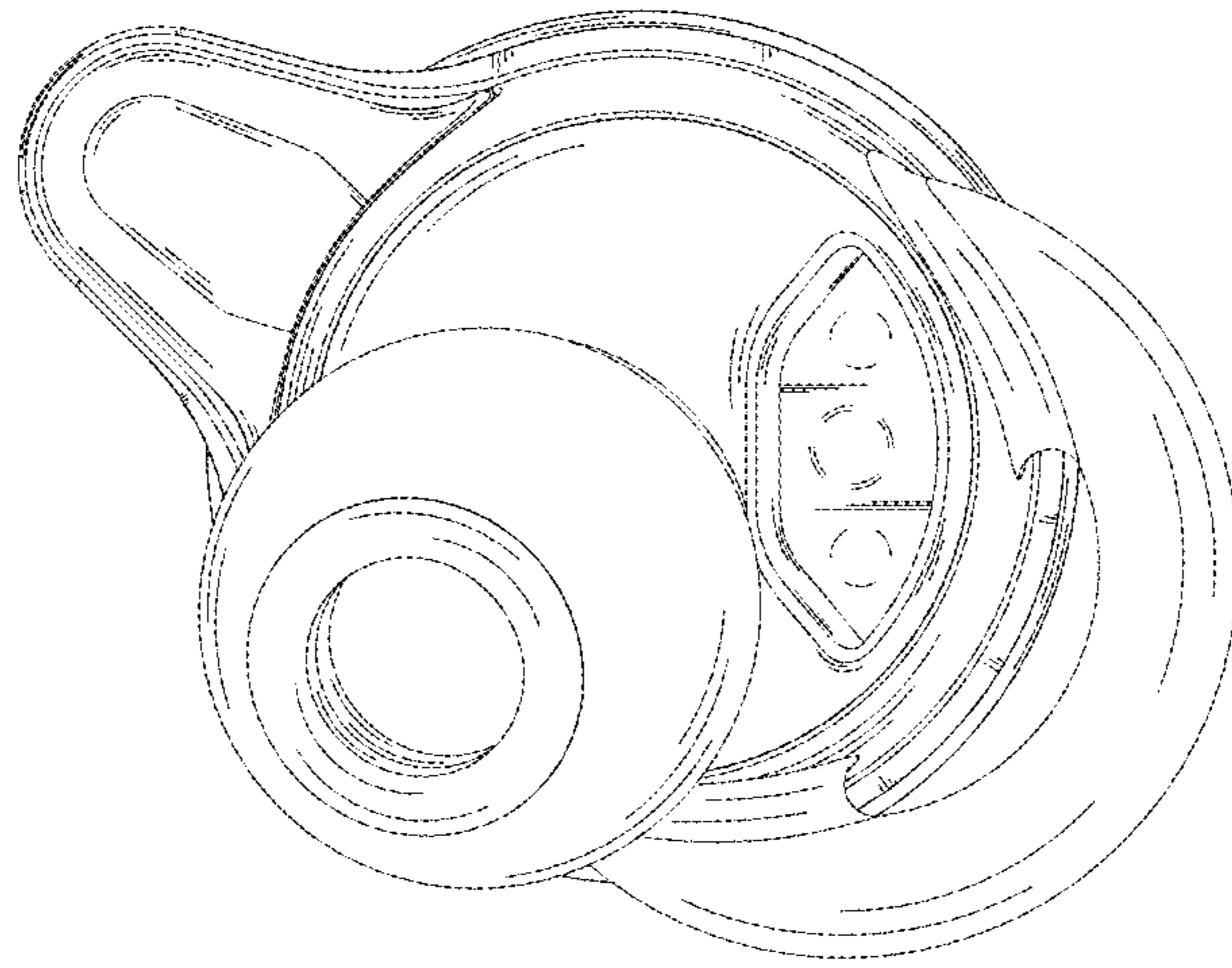


FIG. 7

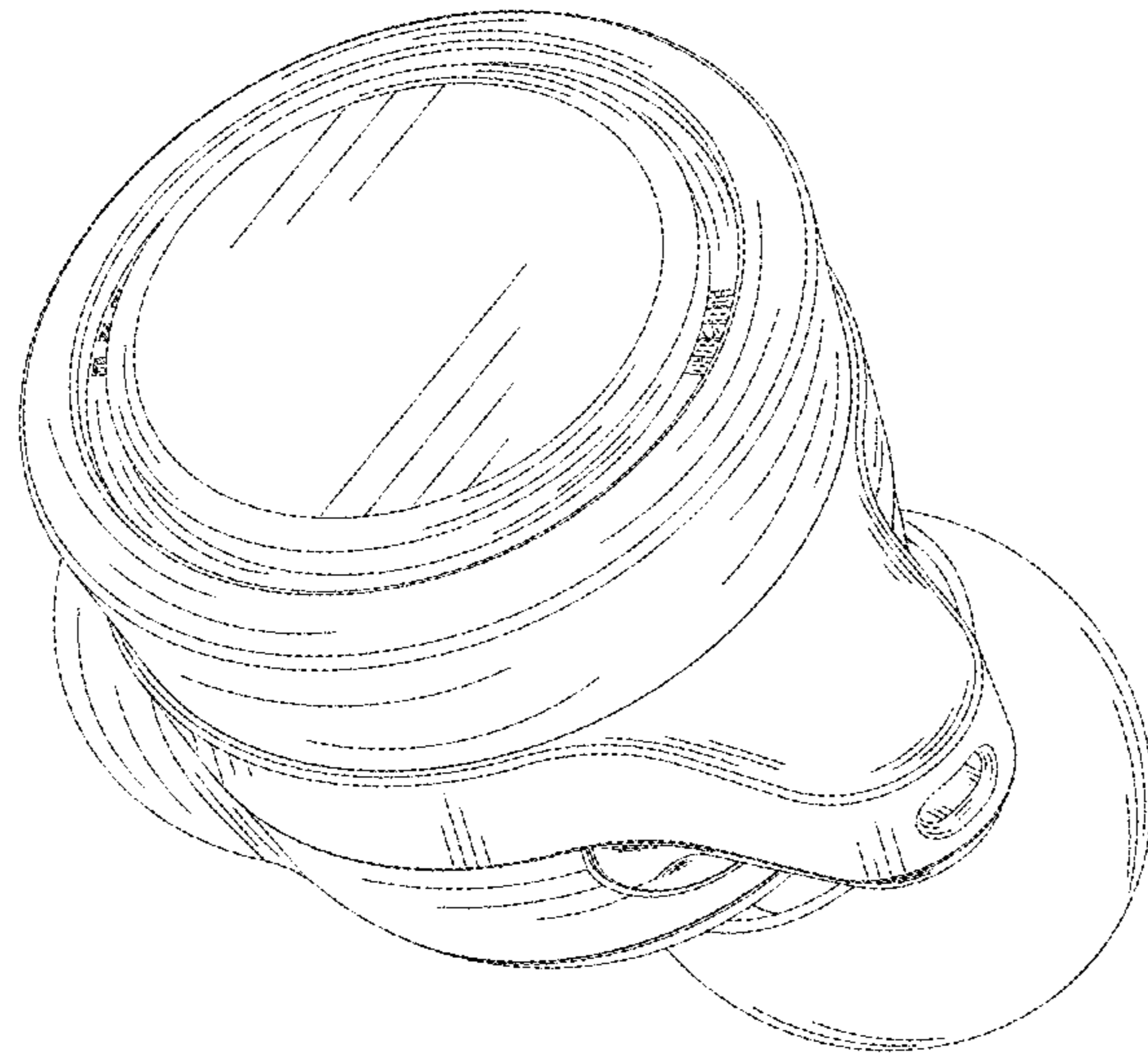


FIG. 8

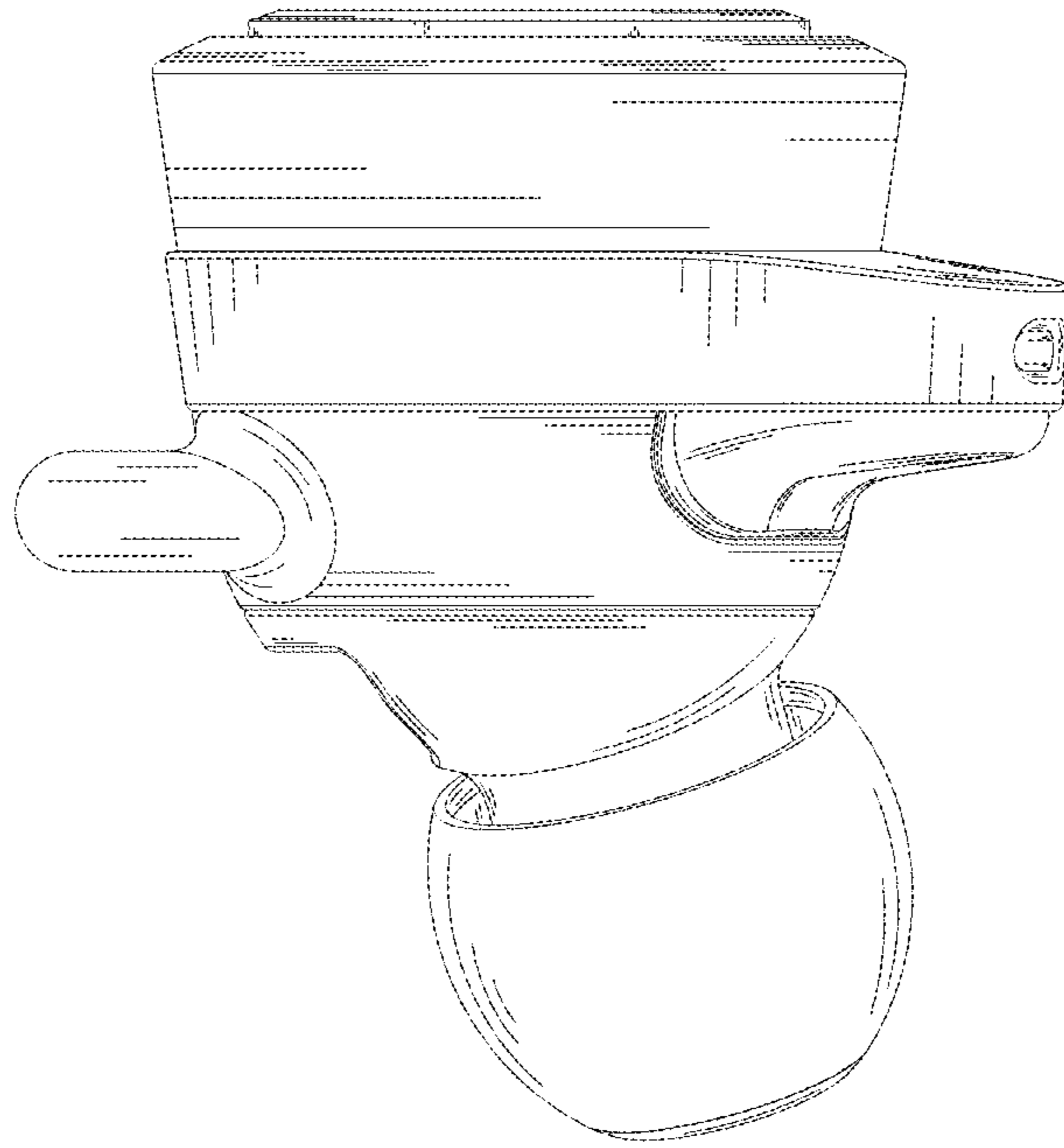


FIG. 9

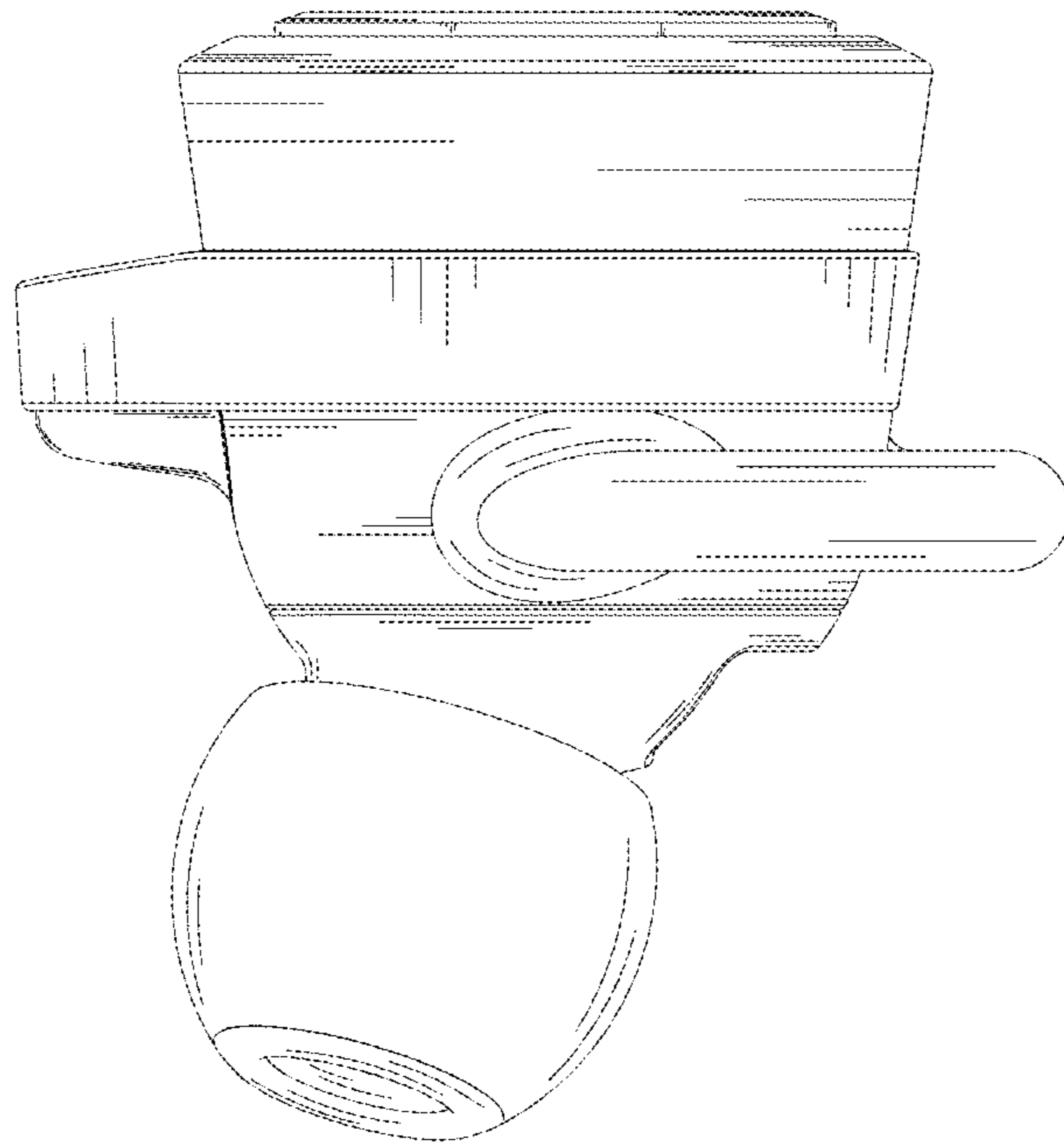


FIG. 10

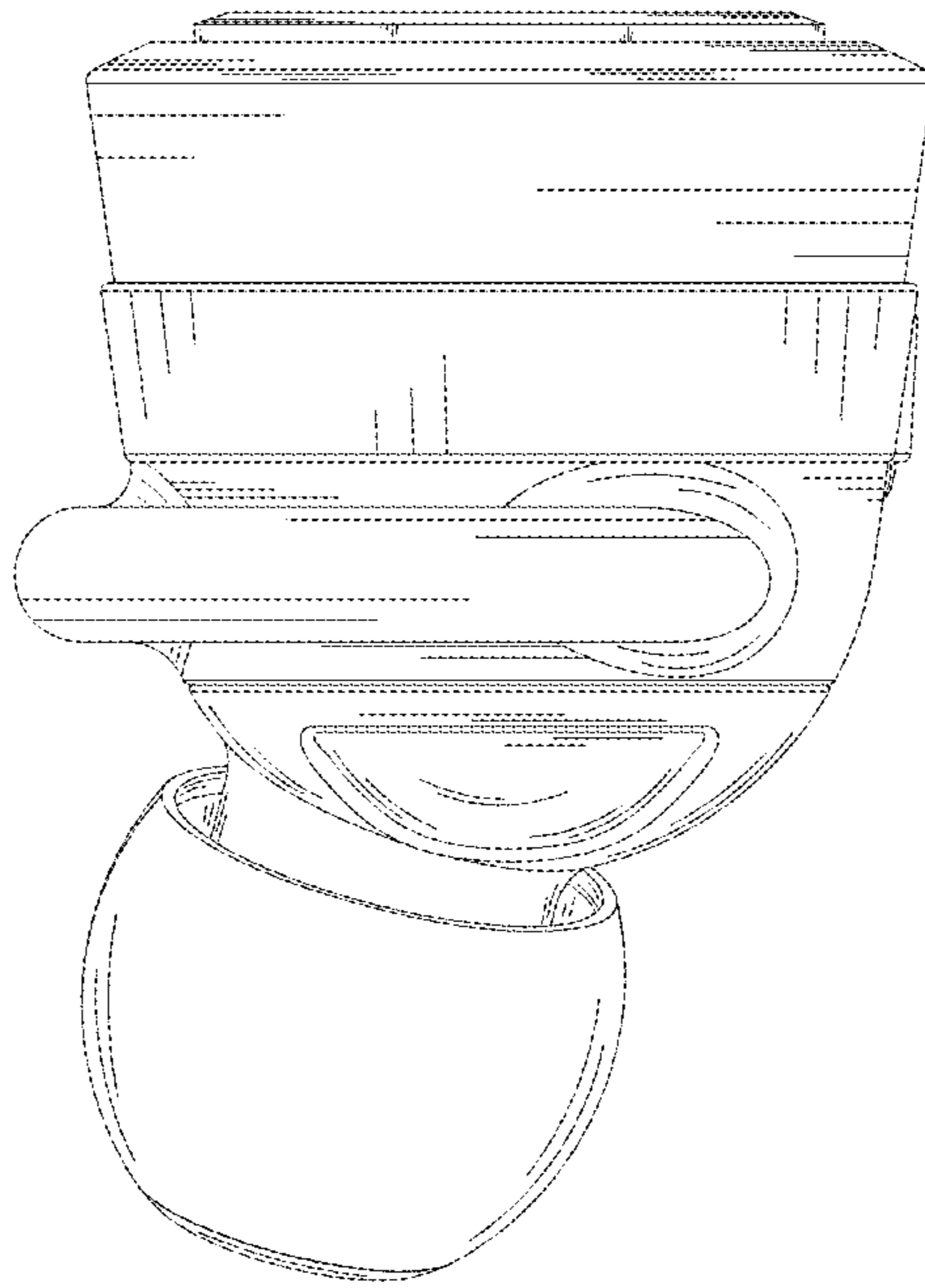


FIG. 11

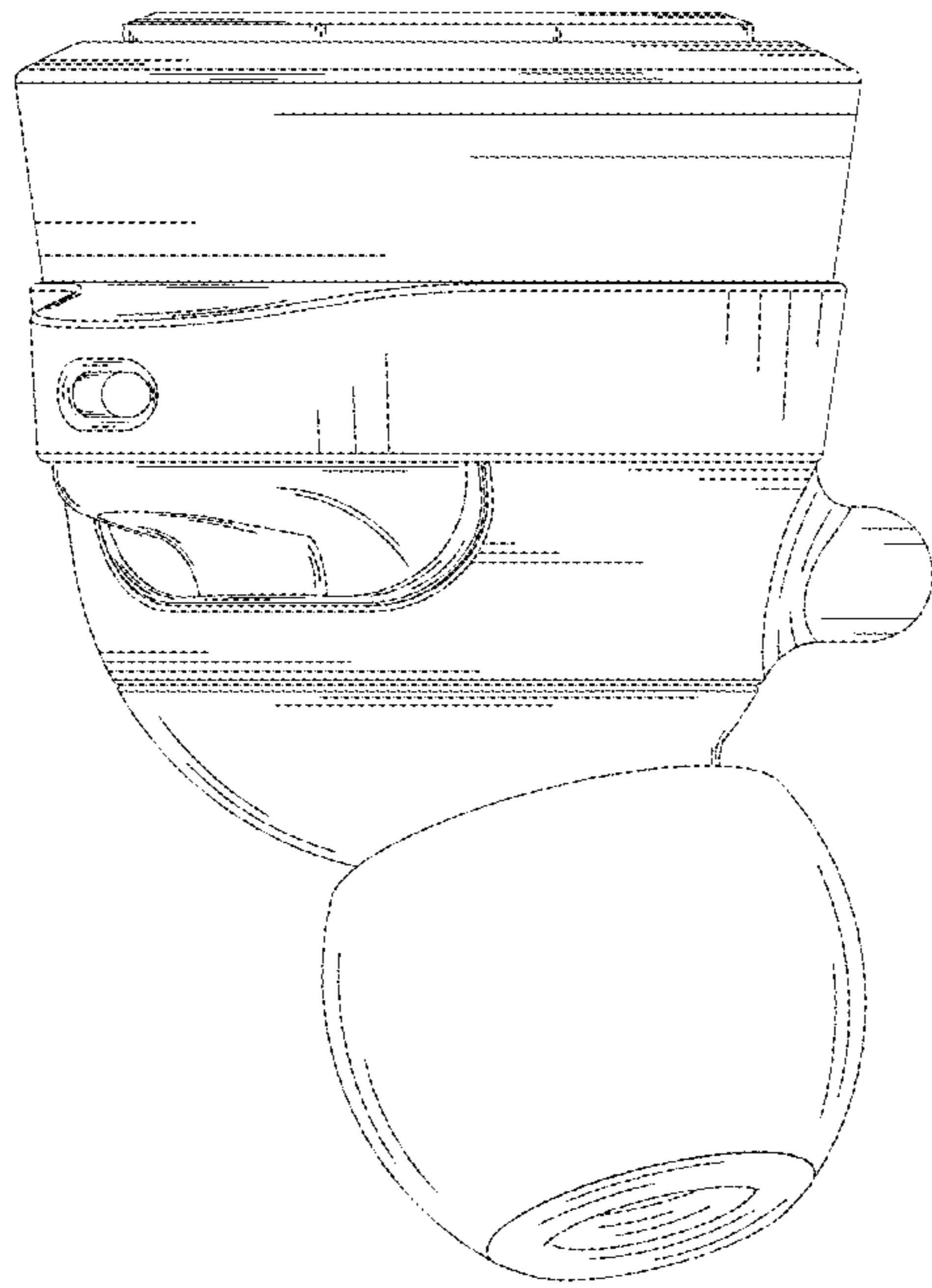


FIG. 12

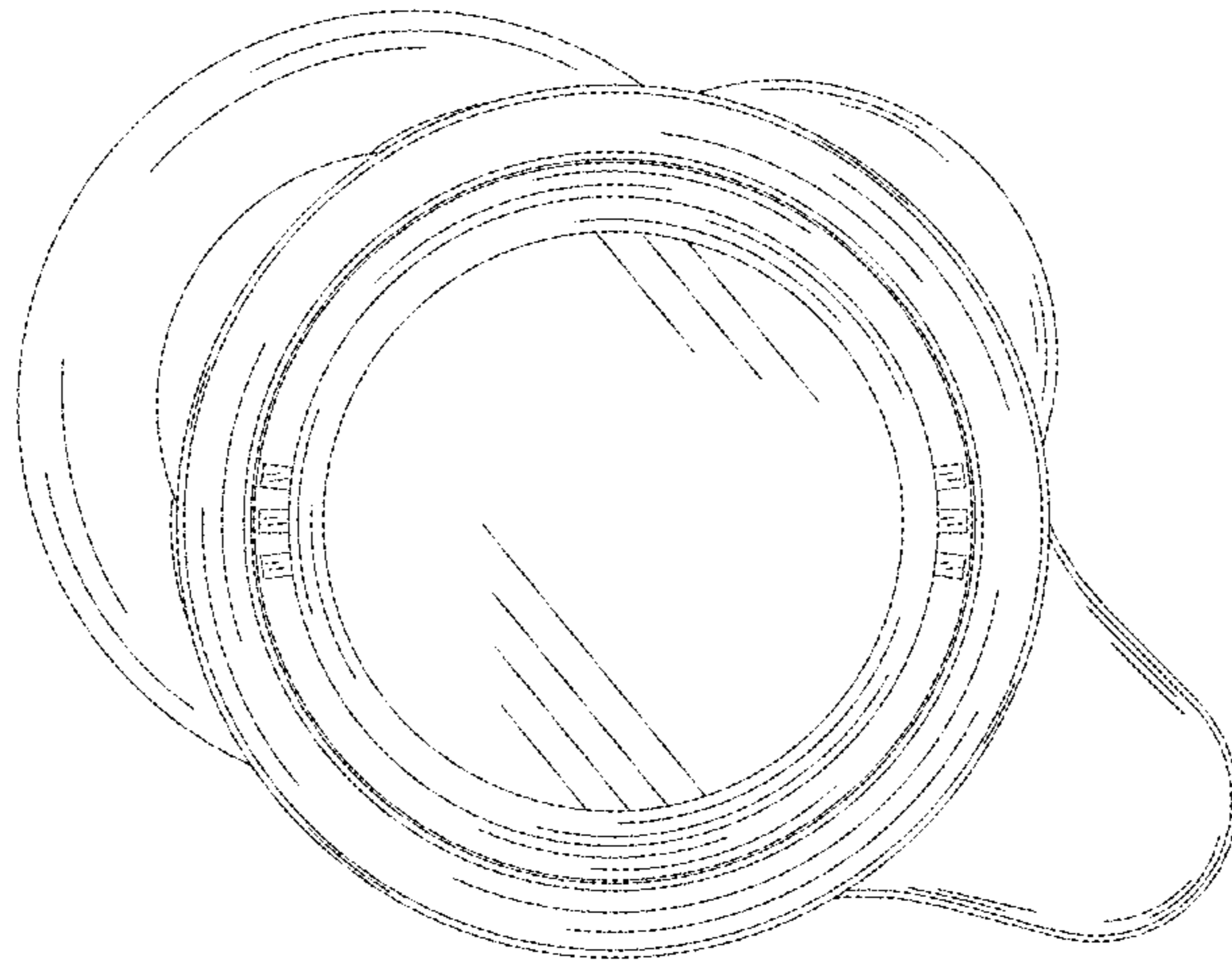


FIG. 13

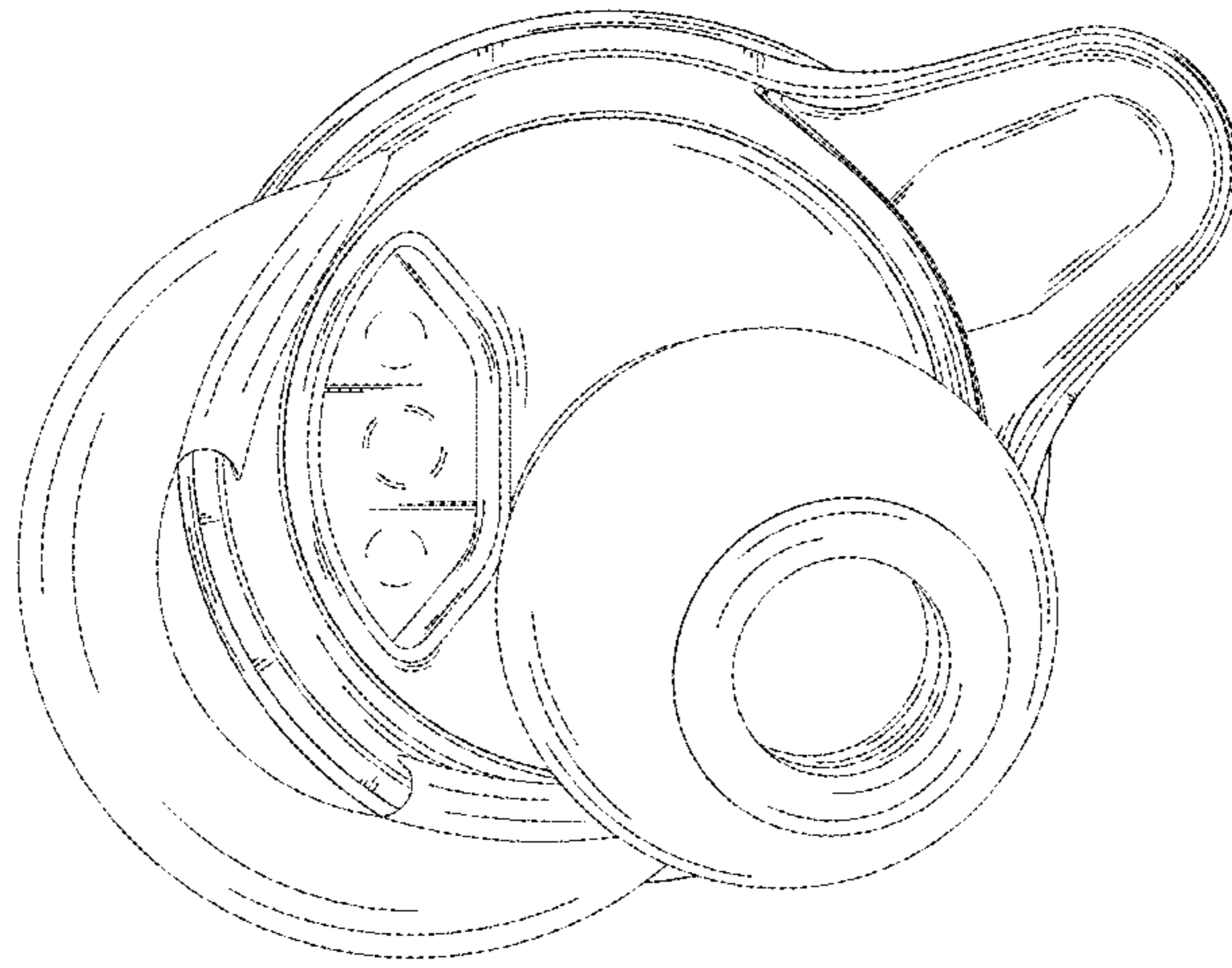


FIG. 14

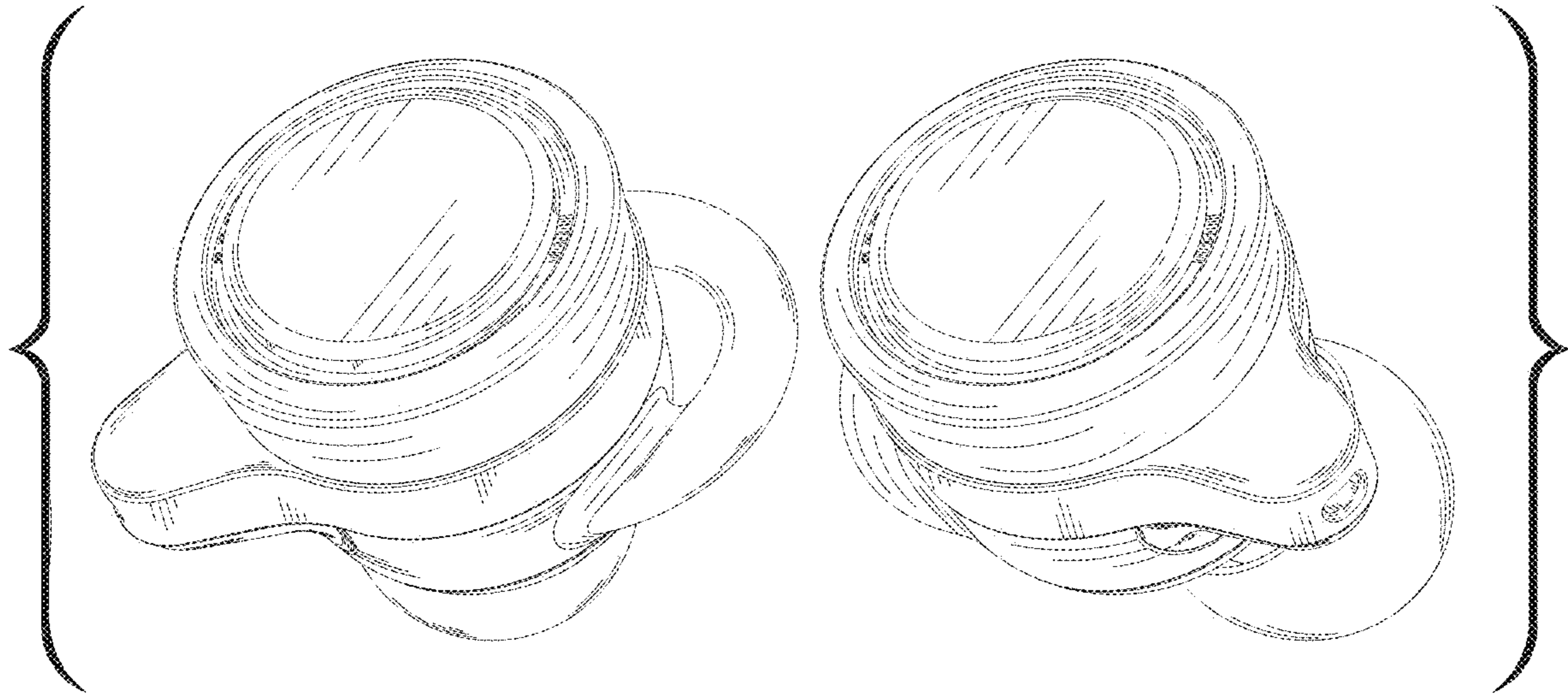


FIG. 15

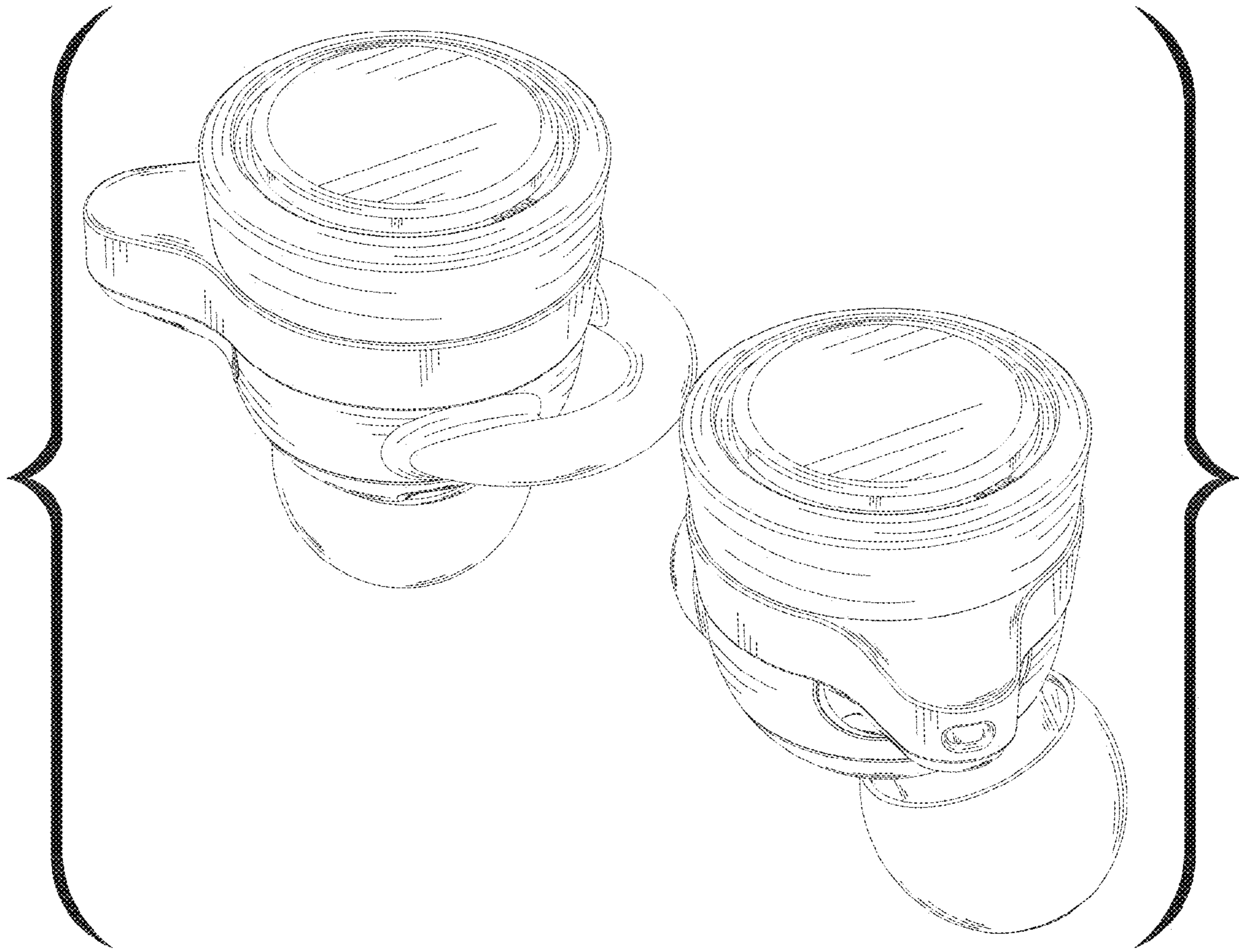


FIG. 16

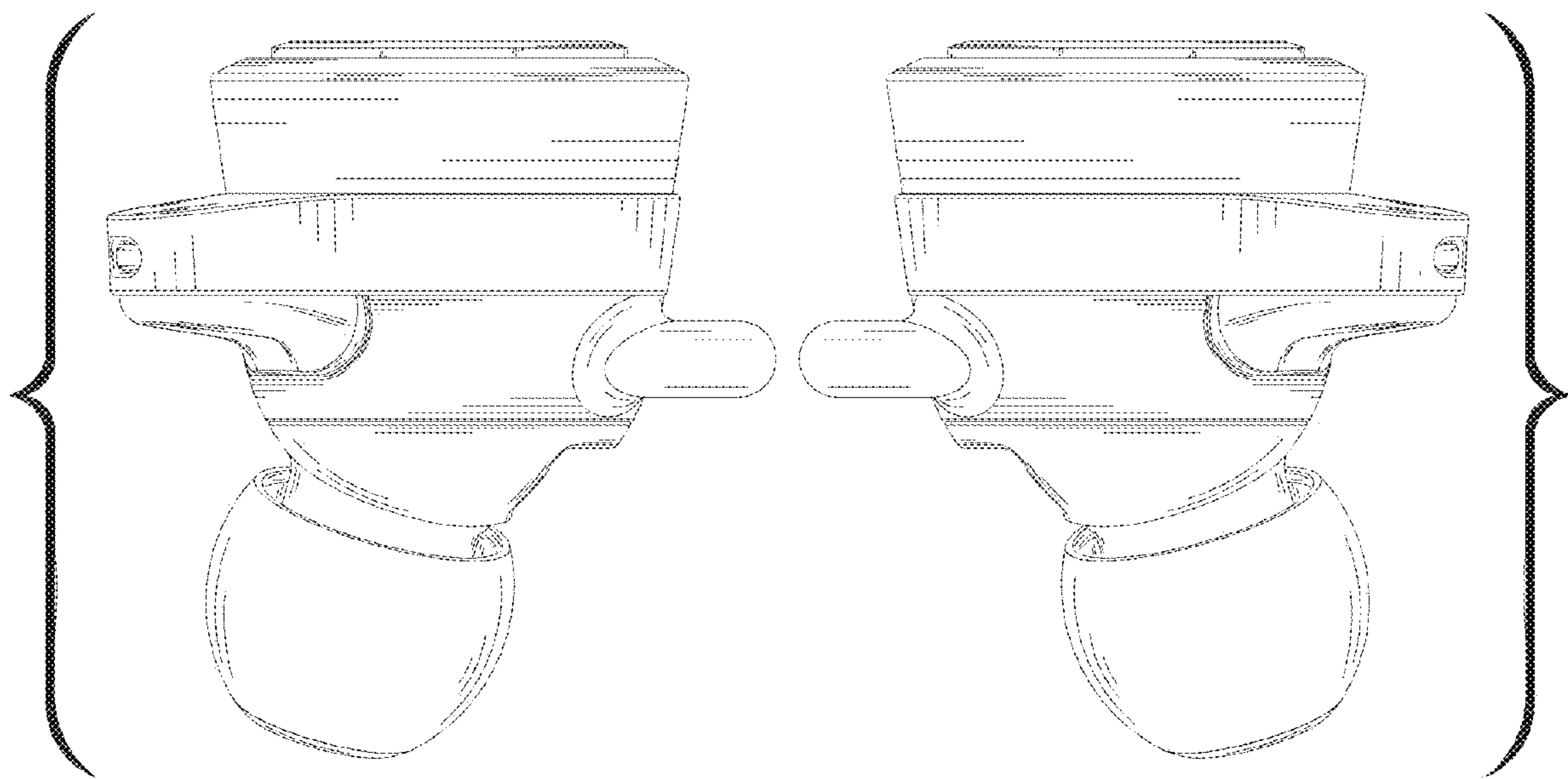


FIG. 17

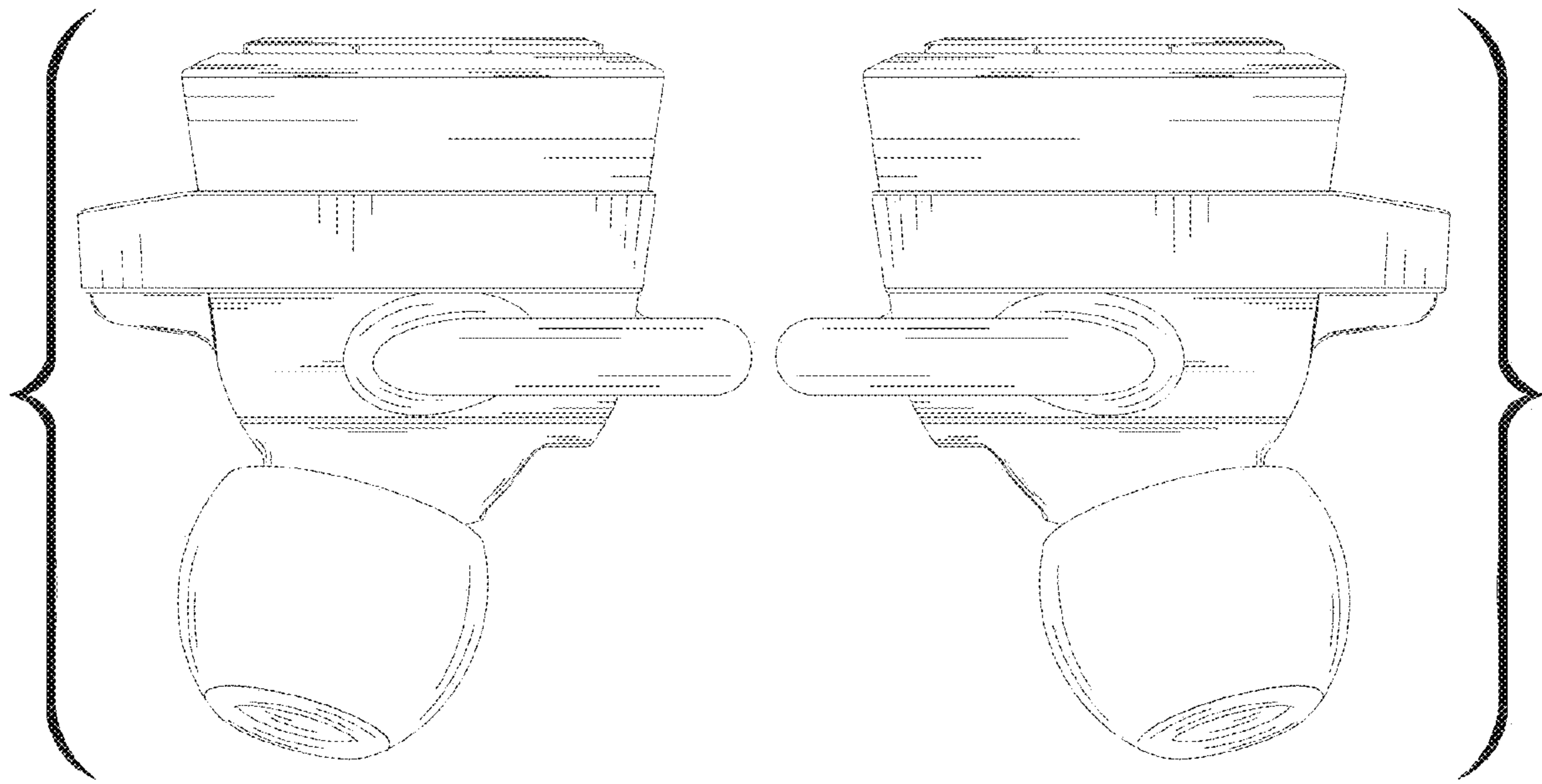


FIG. 18

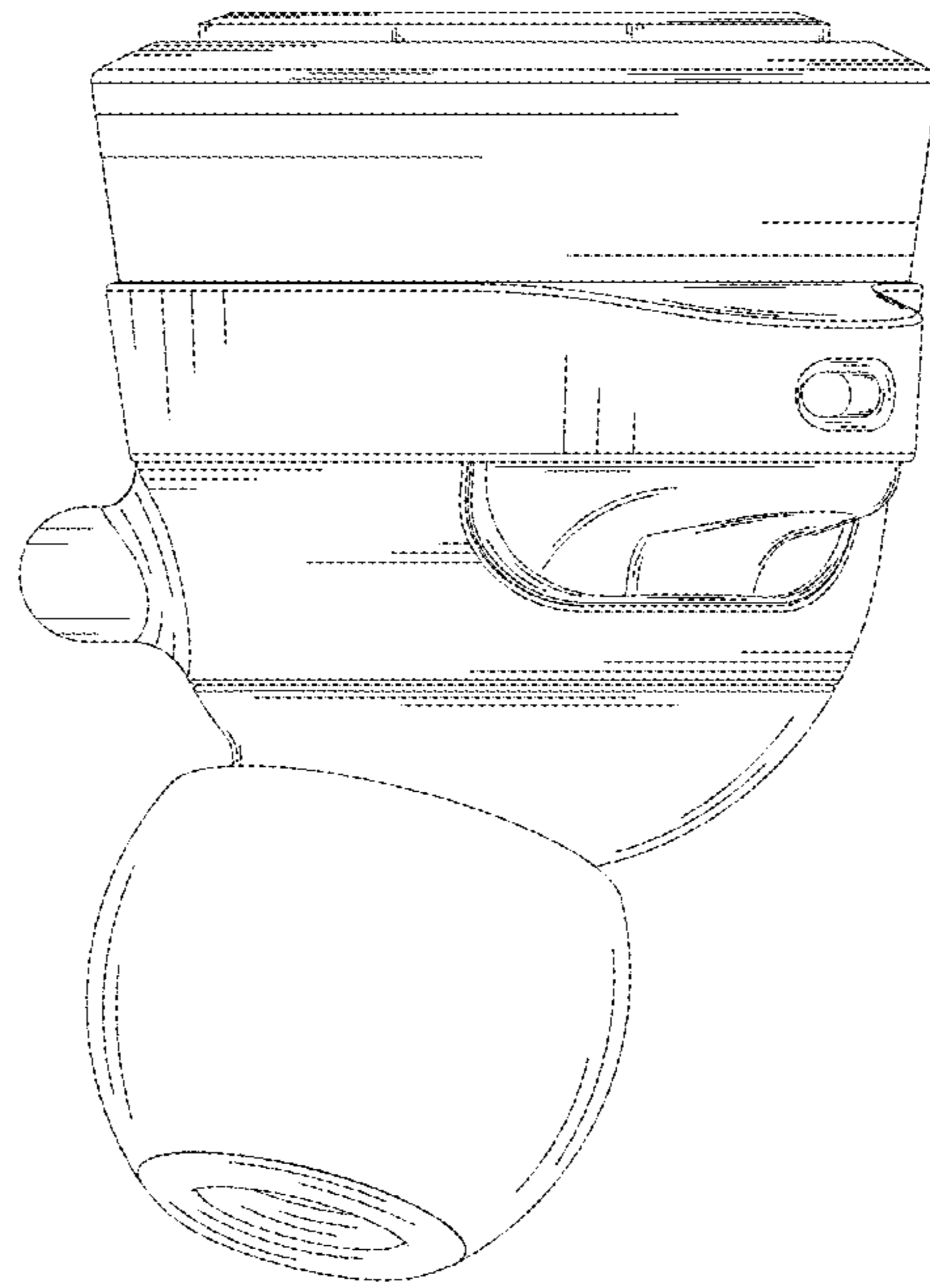


FIG. 19

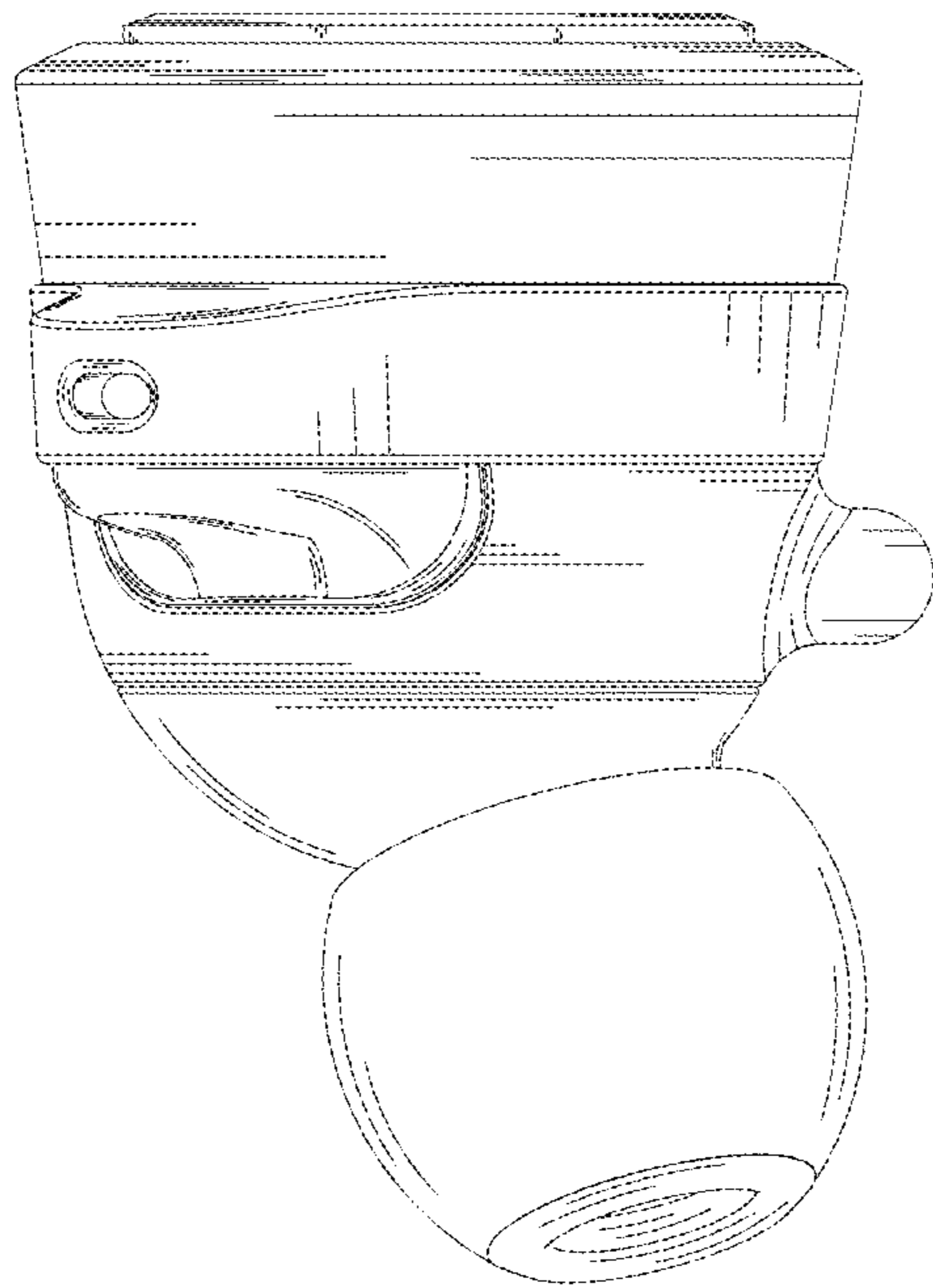


FIG. 20

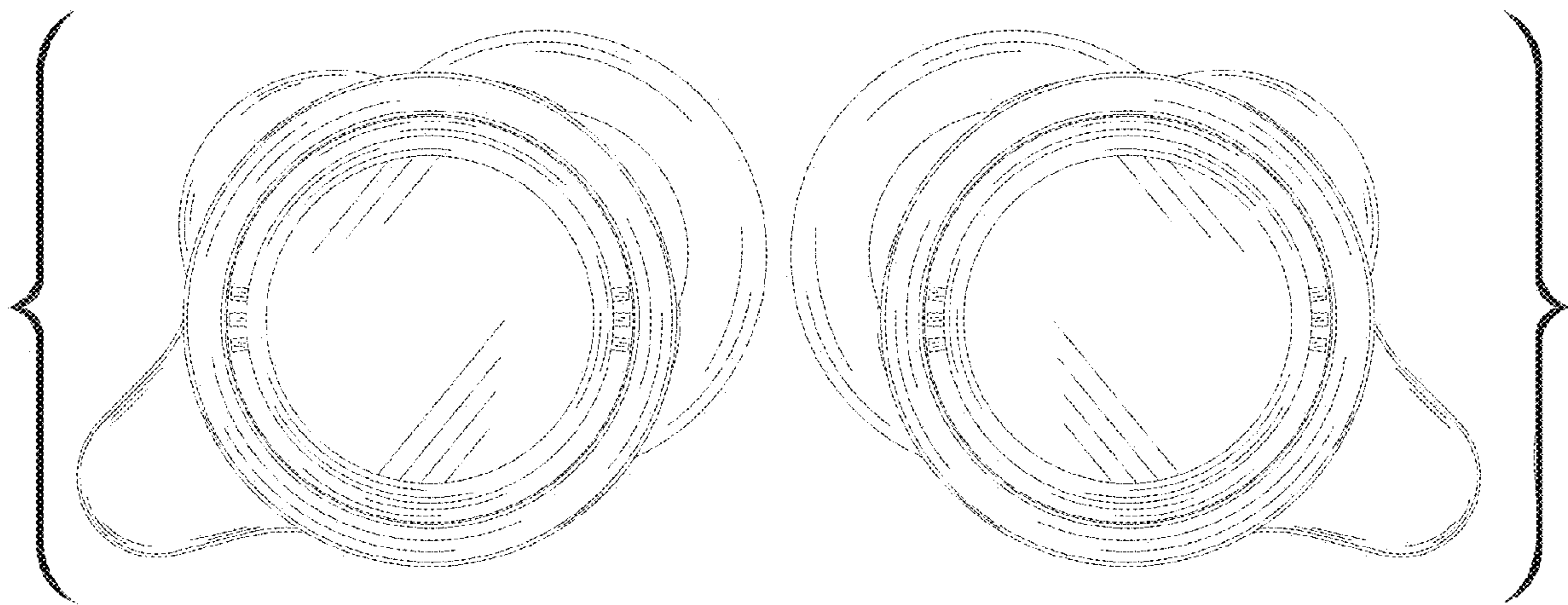


FIG. 21

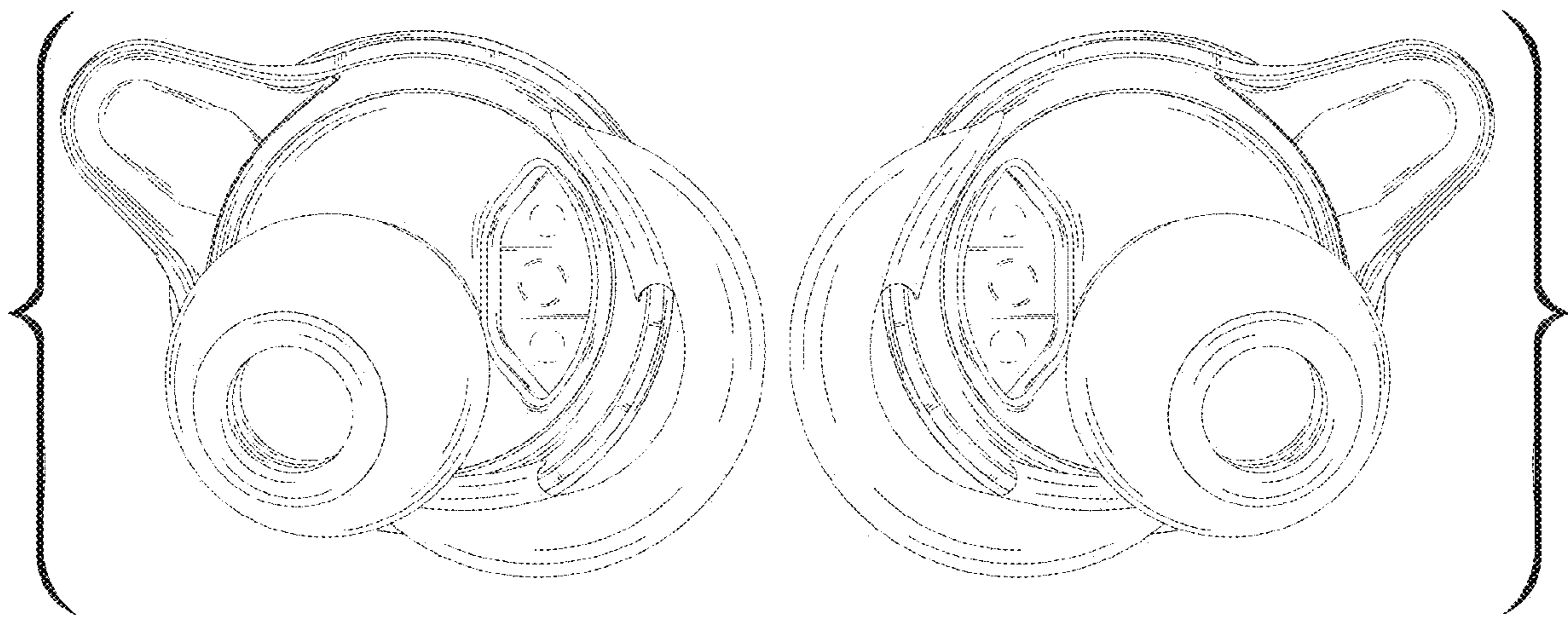


FIG. 22