



US00D873247S

(12) **United States Design Patent**
Zhu

(10) **Patent No.:** **US D873,247 S**
(45) **Date of Patent:** **** Jan. 21, 2020**

(54) **EARPHONES**

(71) Applicant: **Xiaodong Chen**, Nanbu County (CN)

(72) Inventor: **Zusan Zhu**, Shucheng (CN)

(**) Term: **15 Years**

(21) Appl. No.: **29/630,399**

(22) Filed: **Dec. 20, 2017**

(51) **LOC (12) Cl.** **14-01**

(52) **U.S. Cl.**

USPC **D14/223**; D14/205

(58) **Field of Classification Search**

USPC D14/203.1, 204–206, 208–210, 212–217,
D14/219, 221–225, 249, 372, 433, 138 R,
D14/182, 188, 191–194, 172, 496;
D29/112; D28/41; D2/875;
D24/173–175, 106; D3/294, 273;
D13/118, 108, 119

CPC H04R 25/02; H04R 25/00; H04R 1/10;
H04R 1/1016; H04R 1/105; H04R
1/1083; H04R 1/02; H04R 1/1041; H04R
1/28; H04R 5/033; H04R 2420/07; H04R
2430/00; H04R 2430/01

See application file for complete search history.

(56) **References Cited**

U.S. PATENT DOCUMENTS

D567,806 S *	4/2008	Viduya	D14/223
D584,293 S *	1/2009	Kim	D14/223
D595,273 S *	6/2009	Kim	D14/223
D603,847 S *	11/2009	Chung	D14/223
D647,513 S *	10/2011	Ha	D14/223
D655,694 S *	3/2012	Hanks	D14/223
D667,123 S *	9/2012	Takemoto	D24/174
D671,523 S *	11/2012	Daniel	D14/206
D712,382 S *	9/2014	Brunner	D14/223
D734,744 S *	7/2015	Brunner	D14/223
D740,260 S *	10/2015	Brunner	D14/223

D741,299 S *	10/2015	Brunner	D14/223
D743,946 S *	11/2015	Brunner	D14/223
D780,721 S *	3/2017	Brunner	D14/223
D782,996 S *	4/2017	Zhu	D14/205
D795,226 S *	8/2017	Lian	D14/217
D806,684 S *	1/2018	Tsai	D14/223
D816,060 S *	4/2018	Wei	D14/205
D817,305 S *	5/2018	Hsieh	D14/206
D817,931 S *	5/2018	Yao	D14/223

(Continued)

FOREIGN PATENT DOCUMENTS

CN 304220366 * 7/2017

Primary Examiner — Barbara Fox

Assistant Examiner — Mary Claire Ramirez

(57) **CLAIM**

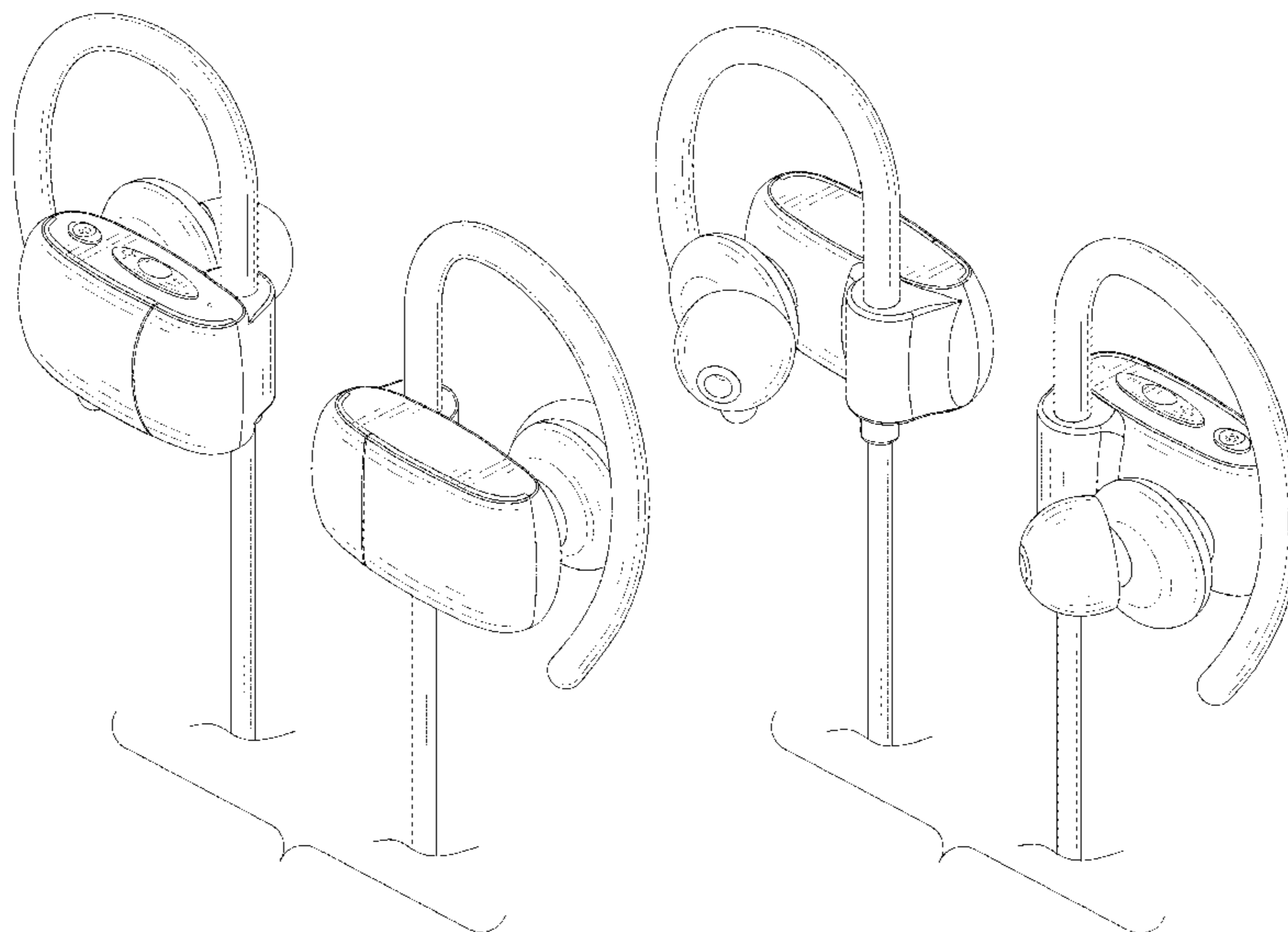
The ornamental design for earphones, as shown and described.

DESCRIPTION

FIG. 1 is a front elevational view of the left earphone of a pair of earphones and a rear elevation view of the right earphone of the pair of earphones showing my new design; FIG. 2 is a top, front perspective view of the earphones; FIG. 3 is a top, rear perspective view thereof; FIG. 4 is a front elevational view thereof; FIG. 5 is a rear elevational view thereof; FIG. 6 is a left side elevational view thereof; FIG. 7 is a right side elevational view thereof; FIG. 8 is a top plan view thereof; and, FIG. 9 is a bottom plan view thereof.

The earphones are shown with a symbolic break in their length. The appearance of any portion of the earphones shown beyond the break lines forms no part of the claimed design. The symbolic break lines form no part of the claimed design. The broken lines in the drawings depict portions of the earphones that form no part of the claimed design.

1 Claim, 9 Drawing Sheets



(56)

References Cited

U.S. PATENT DOCUMENTS

D821,364 S * 6/2018 Brunner D14/223
D825,525 S * 8/2018 Hu D14/206
10,154,334 B1 * 12/2018 Lin H04R 1/1041
D838,688 S * 1/2019 Liu D14/206
D838,692 S * 1/2019 Fu D14/223
D841,816 S * 2/2019 Min D24/173
D842,836 S * 3/2019 Ma D14/205
D843,344 S * 3/2019 Zhu D14/205
D858,482 S * 9/2019 Ma D14/205
D864,153 S * 10/2019 Hu D14/205
2007/0230735 A1 * 10/2007 Sung H04R 1/1058
381/374
2008/0107301 A1 * 5/2008 Kim H04R 1/1066
381/381
2008/0232632 A1 * 9/2008 Liu H04M 1/05
381/381
2010/0166207 A1 * 7/2010 Masuyama H04R 1/1041
381/74
2010/0166208 A1 * 7/2010 Kato H04R 1/1033
381/74
2019/0069072 A1 * 2/2019 Ansari H04R 1/1041

* cited by examiner

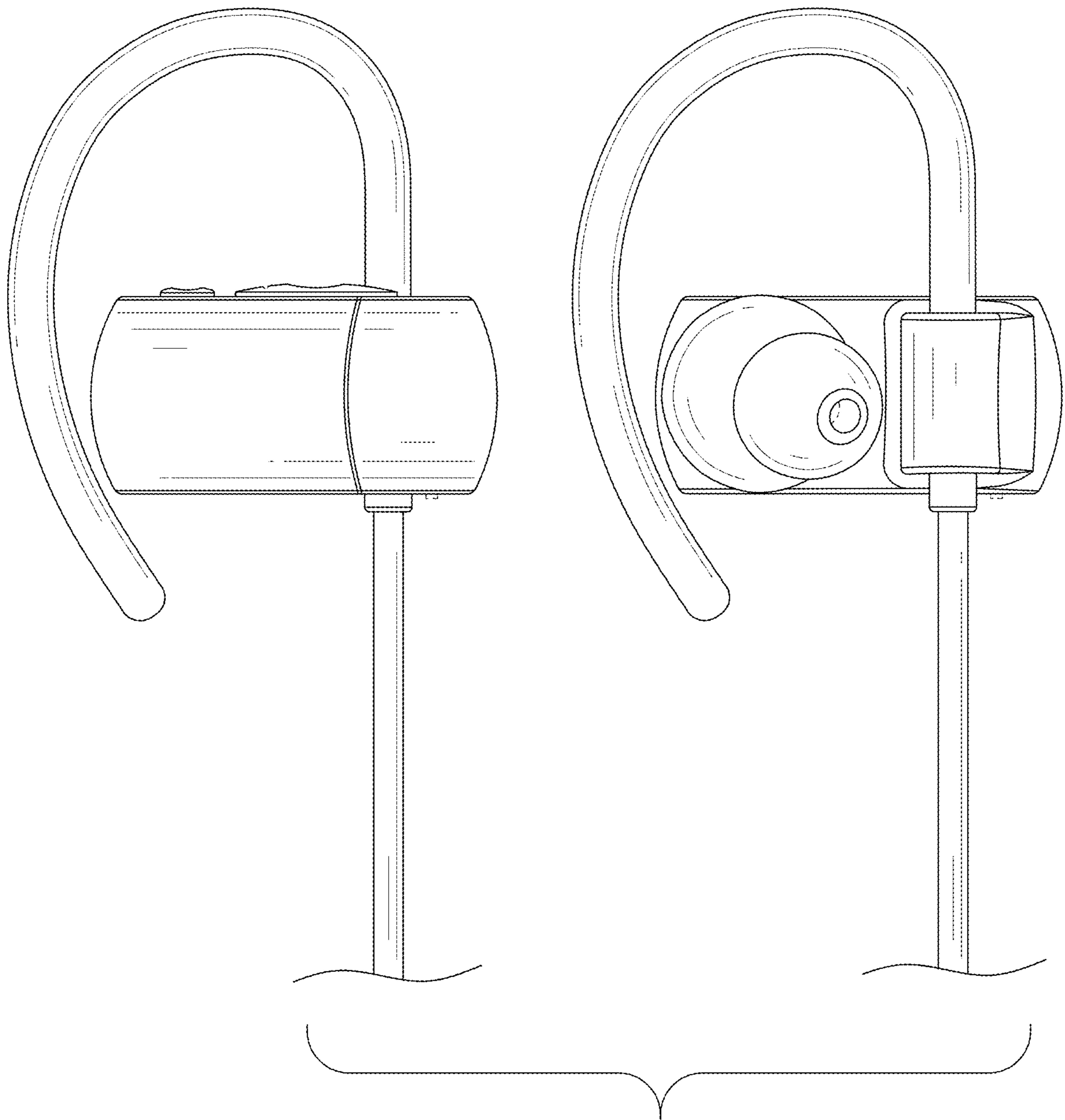


FIG. 1

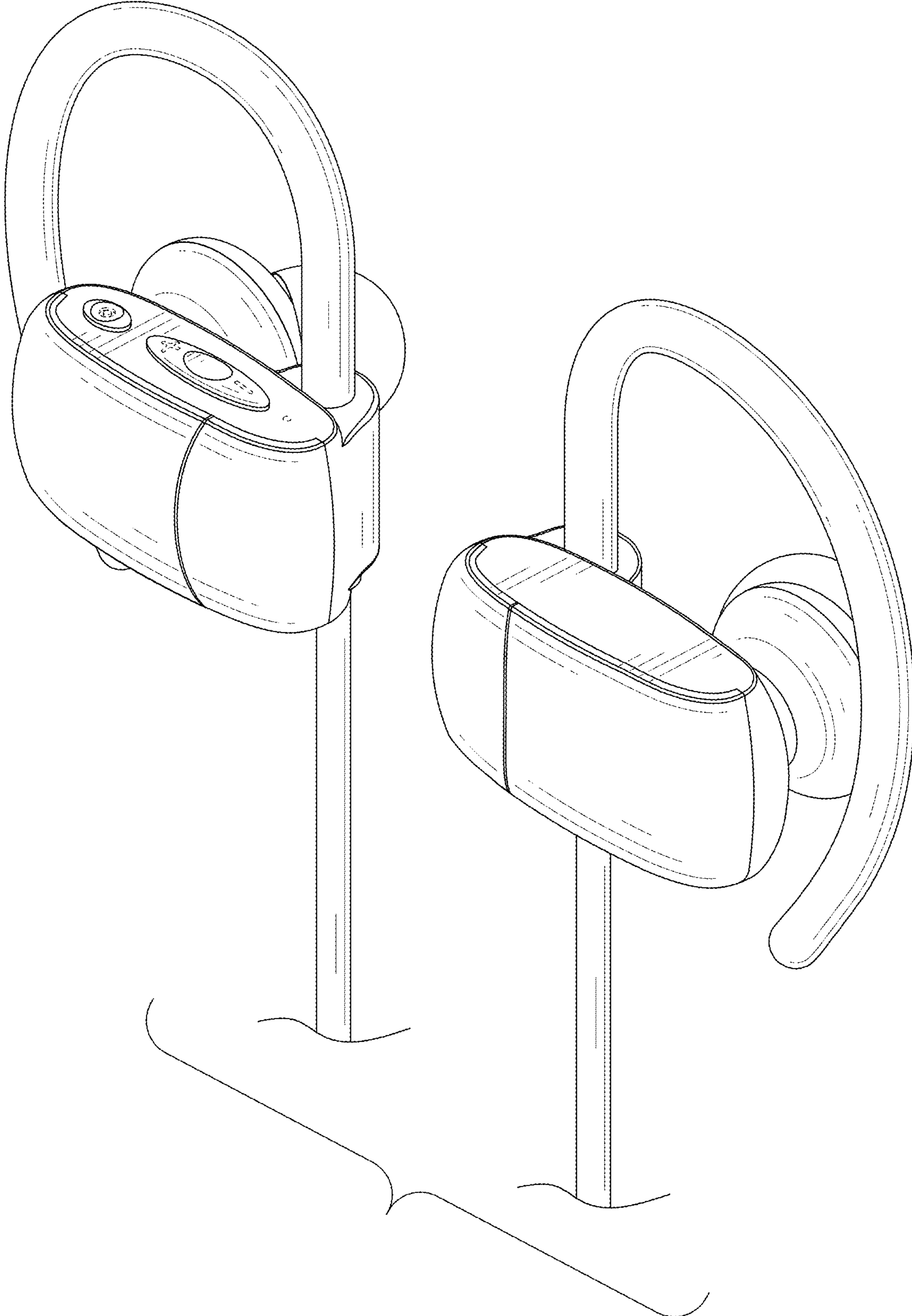


FIG. 2

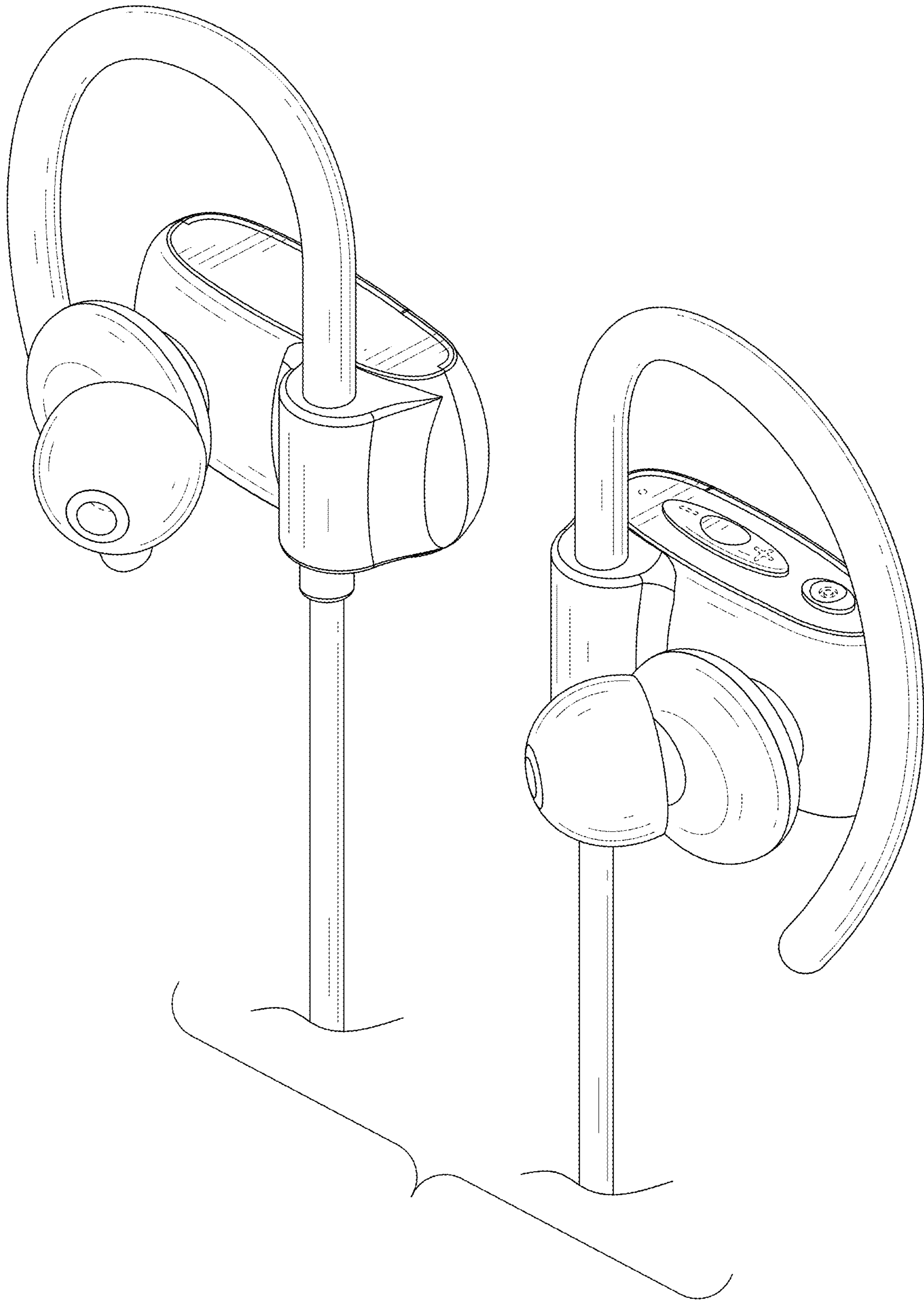


FIG. 3

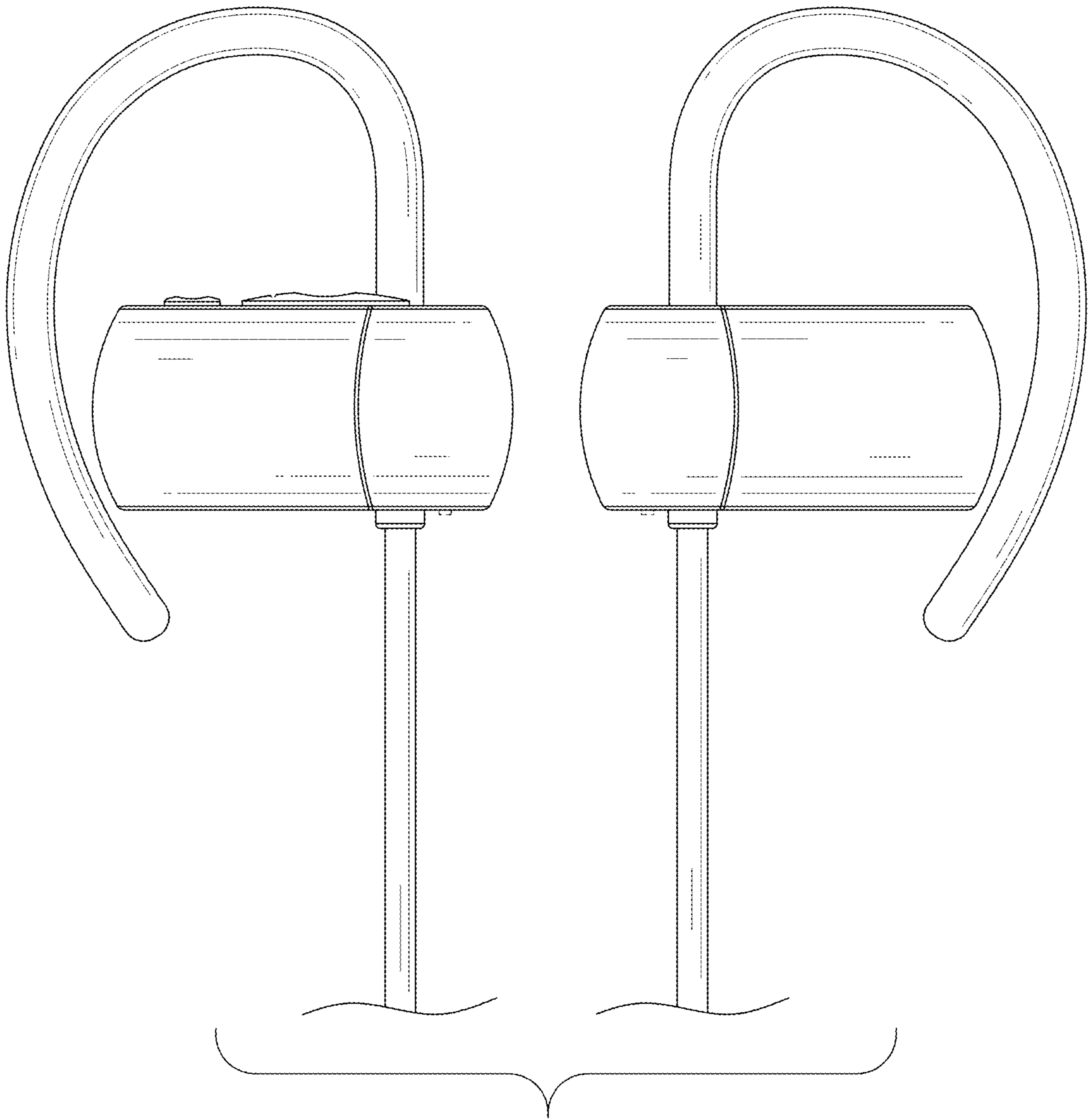


FIG. 4

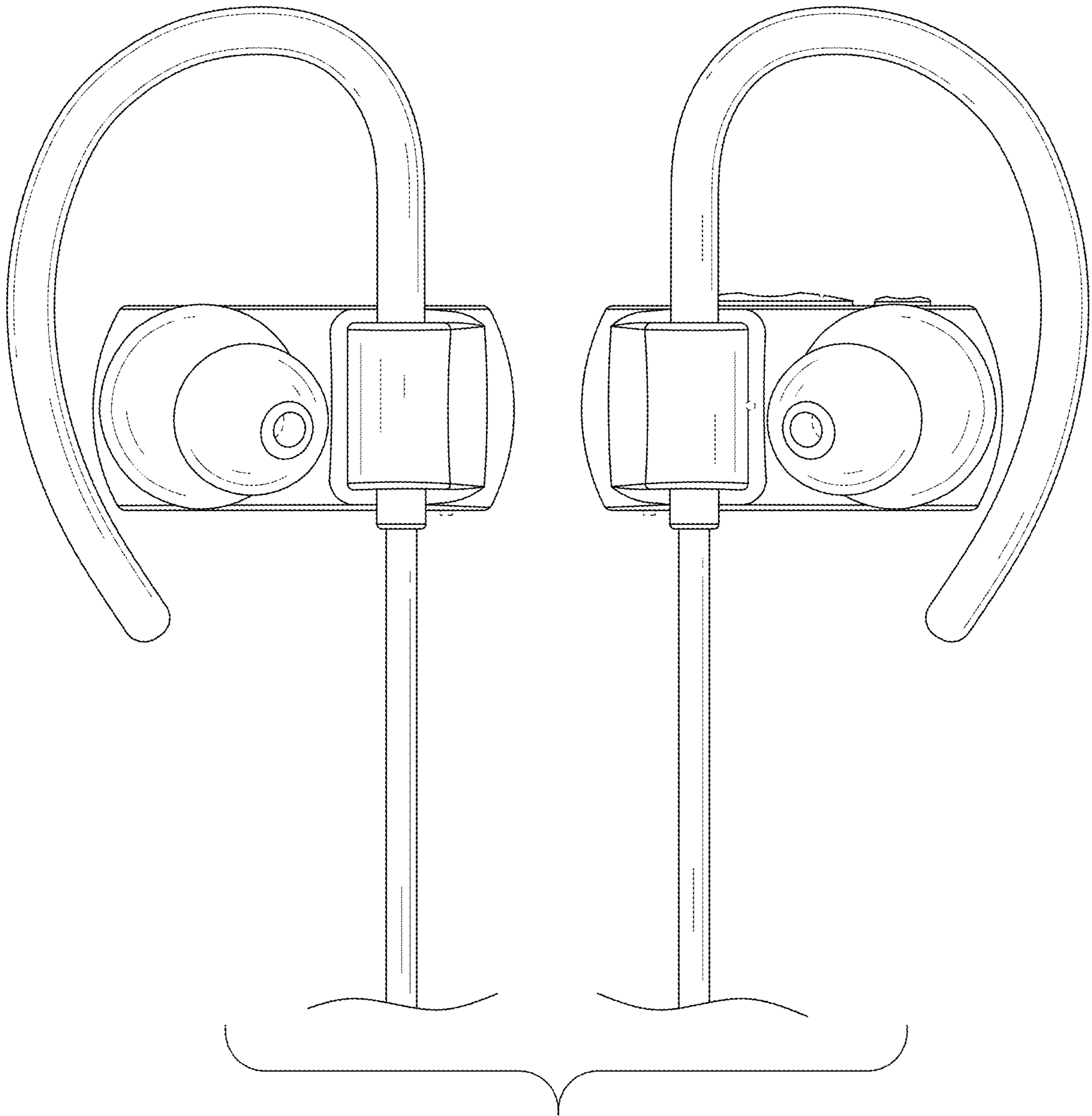


FIG. 5

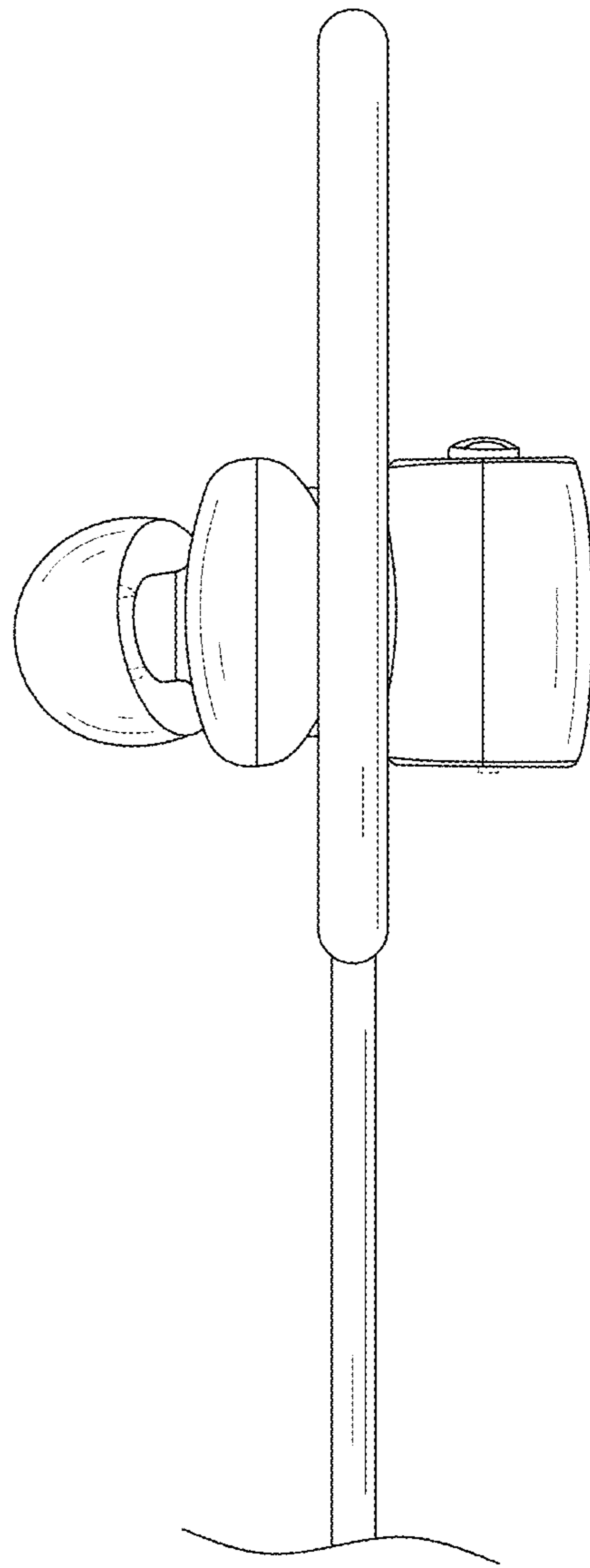


FIG. 6

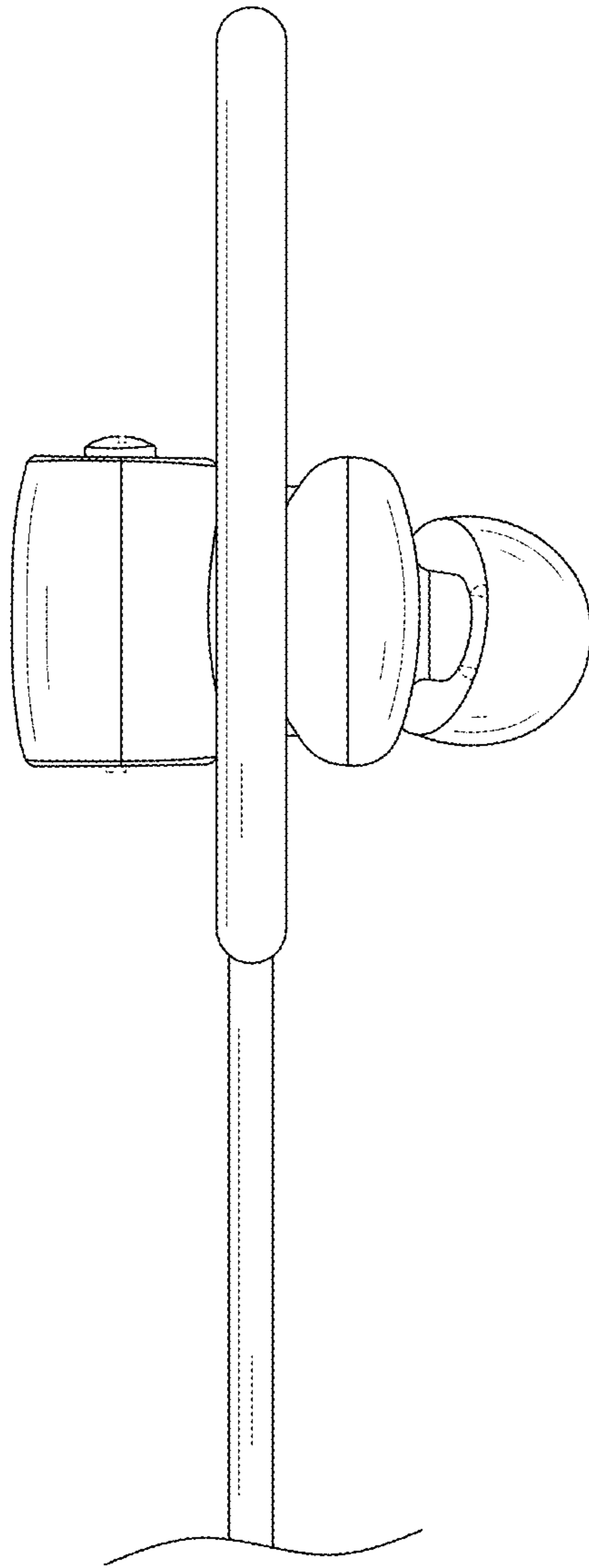


FIG. 7

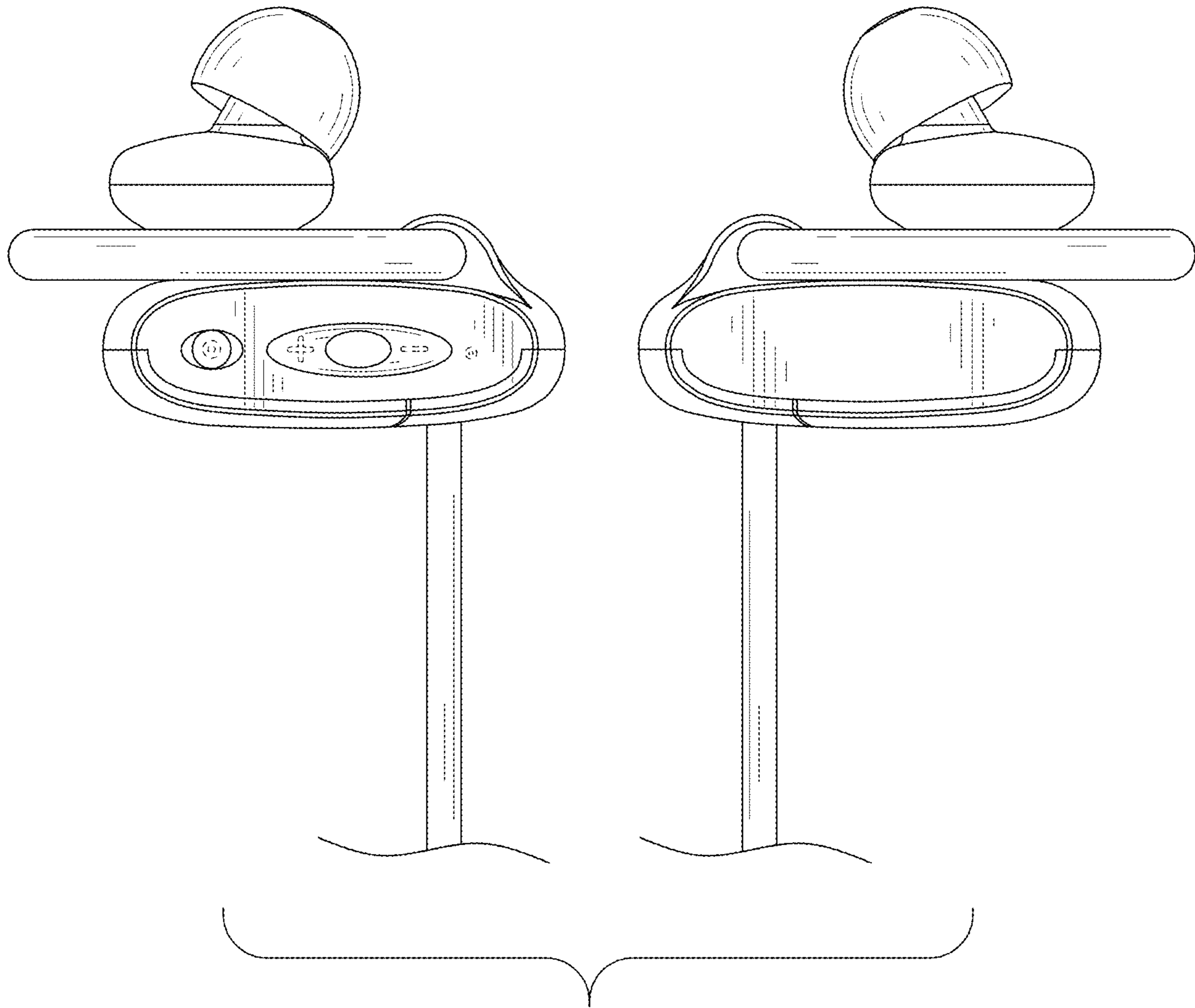


FIG. 8

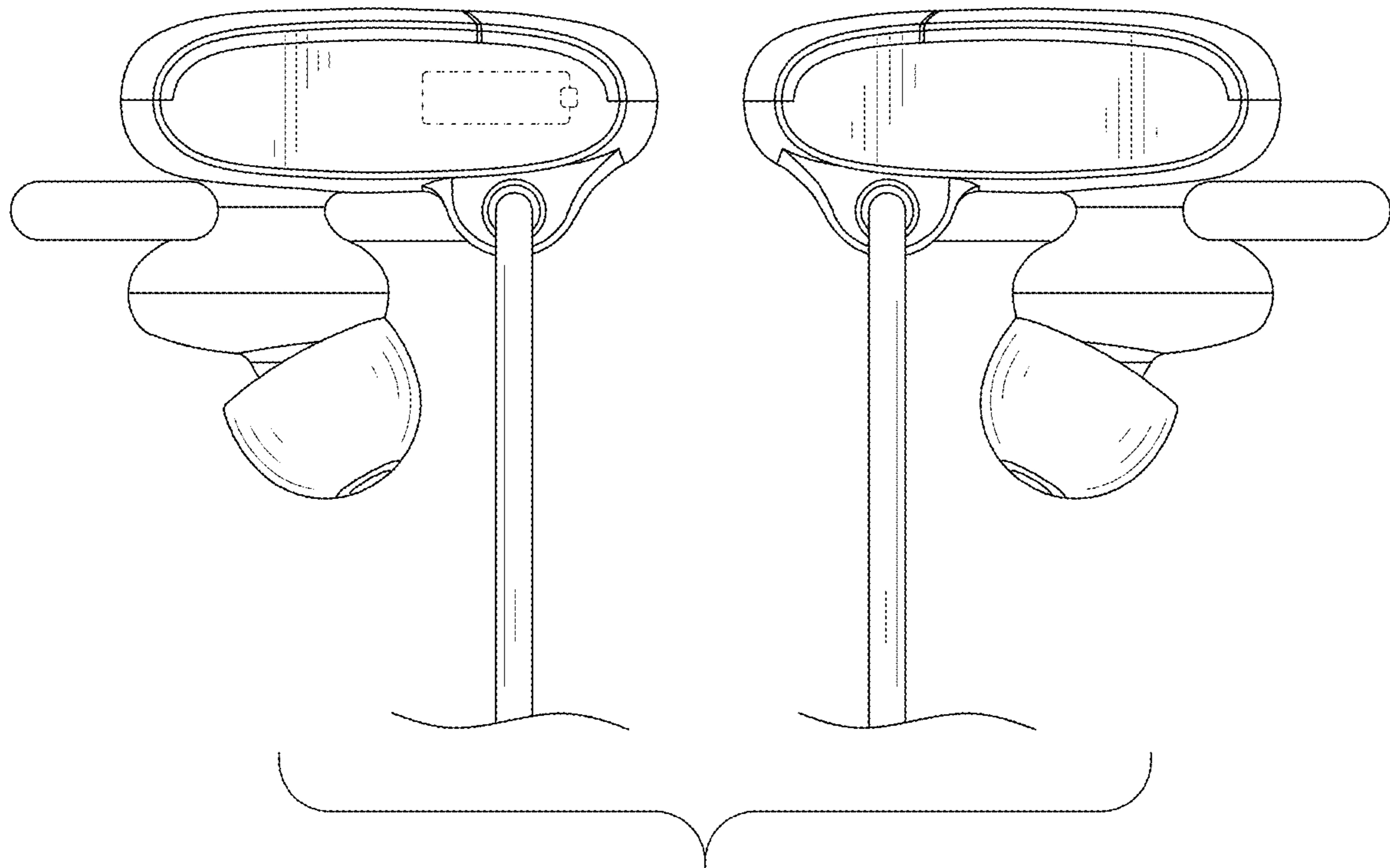


FIG. 9