



US00D873246S

(12) **United States Design Patent**
Zhu

(10) **Patent No.:** **US D873,246 S**
(45) **Date of Patent:** **** Jan. 21, 2020**

(54) **SPORT BLUETOOTH EARPHONES**

(71) Applicant: **Shenzhen Qenla Electronic Technology Co., Ltd, Shenzhen (CN)**

(72) Inventor: **Zusan Zhu, Shucheng (CN)**

(**) Term: **15 Years**

(21) Appl. No.: **29/609,970**

(22) Filed: **Jul. 7, 2017**

(51) **LOC (12) Cl.** **14-01**

(52) **U.S. Cl.**
USPC **D14/223; D14/205**

(58) **Field of Classification Search**
USPC D14/204, 205, 206, 223, 224, 225, 249,
D14/372, 433, 138 R, 188, 192, 172,
D14/203.1, 191, 496; D29/112; D28/41;
D2/875; D24/174, 173, 106; D8/330,
D8/341; D13/118, 108, 119
CPC H04R 25/02; H04R 25/00; H04R 1/10;
H04R 1/1016; H04R 1/105; H04R
1/1083; H04R 1/02; H04R 1/1041; H04R
1/28; H04R 5/033; H04R 2420/07; H04R
2430/00; H04R 2430/01

See application file for complete search history.

(56) **References Cited**

U.S. PATENT DOCUMENTS

D573,139 S *	7/2008	Birger	D14/205
D584,283 S *	1/2009	Soetejo	D14/205
D585,836 S *	2/2009	Lee	D13/154
D585,881 S *	2/2009	Nam	D14/205
D597,069 S *	7/2009	Wengreen	D14/205
D621,790 S *	8/2010	Victor	D13/147
D643,418 S *	8/2011	Lee	D14/223
D645,444 S *	9/2011	Quek	D14/205
D645,456 S *	9/2011	Carr	D14/223
D689,471 S *	9/2013	Hardi	D14/223
D698,023 S *	1/2014	Iseberg	D24/174
D707,660 S *	6/2014	Yang	H04R 1/10 D14/223

(Continued)

FOREIGN PATENT DOCUMENTS

CN 303520433 * 12/2015
CN 303841072 * 9/2016

(Continued)

OTHER PUBLICATIONS

ALZN bluetooth headphones, published Apr. 14, 2017 [online], [retrieved Feb. 10, 2018], Available from Internet, URL: <https://www.buzzfeed.com/ignaciafulcher/pairs-of-headphones-that-people-actually-swear-by>.*

(Continued)

Primary Examiner — T Chase Nelson
Assistant Examiner — Mary Claire Ramirez
(74) *Attorney, Agent, or Firm* — Andrew C. Cheng

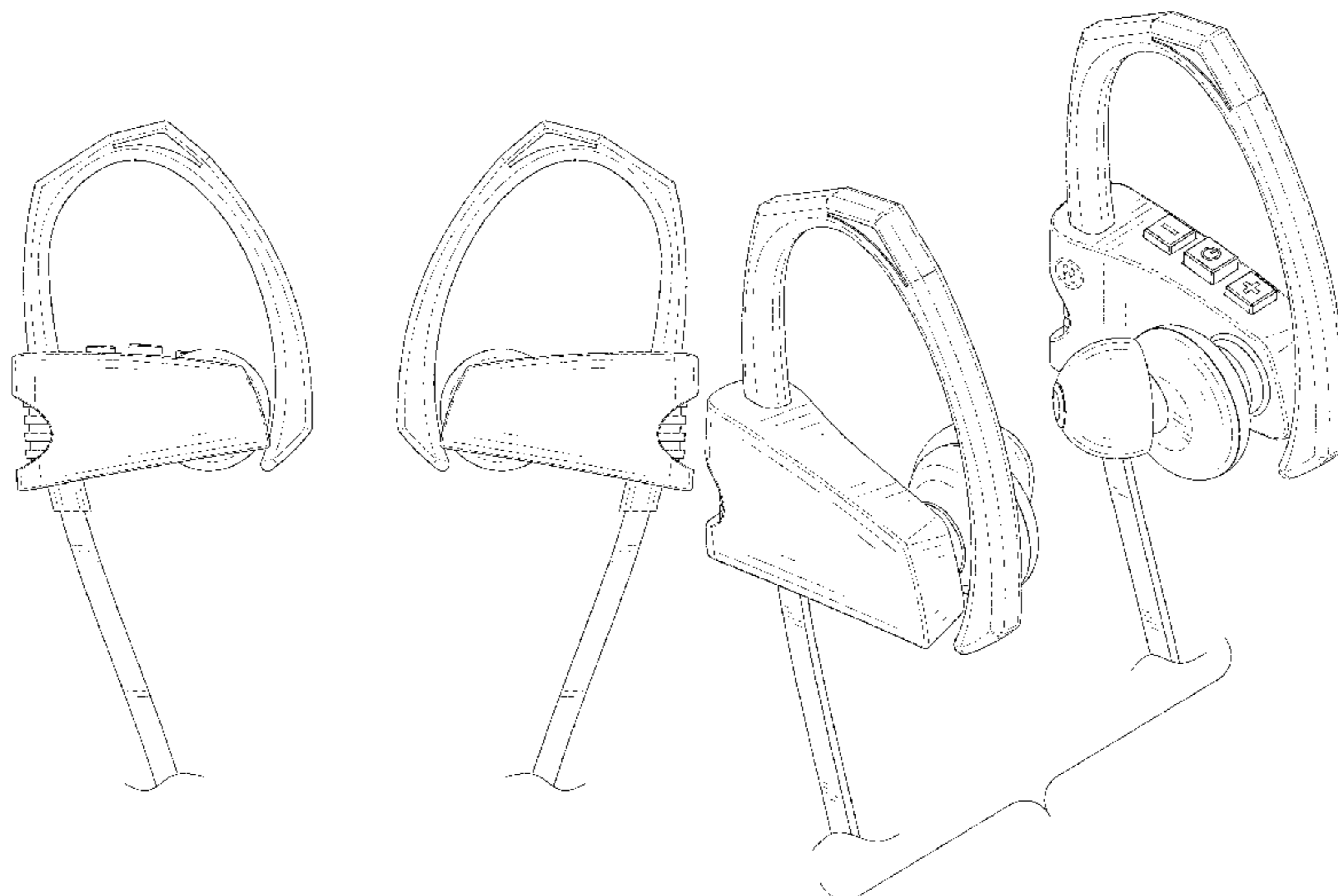
(57) **CLAIM**

The ornamental design for sport Bluetooth earphones, as shown and described.

DESCRIPTION

FIG. 1 is a front perspective view of sport Bluetooth earphones showing the new design; FIG. 2 is a rear elevational view thereof; FIG. 3 is a front elevational view thereof; FIG. 4 is a right side elevational view thereof; FIG. 5 is a left side view thereof; FIG. 6 is a top plan view thereof; FIG. 7 is a bottom plan view thereof; FIG. 8 is a front elevational view of the left earphone and a rear elevational view of the right earphone of the pair of sport Bluetooth earphones; and, FIG. 9 is a rear, right perspective view thereof. The broken lines in the drawings depict portions of the sport bluetooth earphones that form no part of the claimed design.

1 Claim, 9 Drawing Sheets



(56)

References Cited

U.S. PATENT DOCUMENTS

D712,382 S * 9/2014 Brunner D14/223
 D717,274 S * 11/2014 Burgett D14/205
 D725,637 S * 3/2015 Nakajima D14/223
 D727,848 S * 4/2015 Burgett D13/133
 D734,744 S * 7/2015 Brunner D14/223
 D741,299 S * 10/2015 Brunner D14/223
 D743,945 S * 11/2015 Brunner D14/223
 D743,946 S * 11/2015 Brunner D14/223
 D745,862 S * 12/2015 Otani D14/223
 D761,770 S * 7/2016 Kanou D14/206
 D768,599 S * 10/2016 Kelly D14/205
 D775,610 S * 1/2017 Nakajima D14/223
 D780,721 S * 3/2017 Brunner D14/223
 D782,996 S * 4/2017 Zhu D14/205
 D785,594 S * 5/2017 Zaihui D14/205
 D796,490 S * 9/2017 Lian D14/217
 D801,302 S * 10/2017 Lai D14/205
 D801,952 S * 11/2017 Lian D14/223
 D806,684 S * 1/2018 Tsai D14/223
 D806,687 S * 1/2018 Rodriguez D14/223
 D810,053 S * 2/2018 Otani D14/223
 D817,305 S * 5/2018 Hsieh D14/206
 D821,364 S * 6/2018 Brunner D14/223
 D827,616 S * 9/2018 Lian D14/223
 D834,003 S * 11/2018 Maeda D14/223
 D844,588 S * 4/2019 Brunner D14/223
 D855,588 S * 8/2019 Hao D14/223
 D864,153 S * 10/2019 Hu D14/205
 2008/0310666 A1 * 12/2008 Wengreen H04R 1/026
 381/381
 2013/0208939 A1 * 8/2013 Kolton H04R 1/1033
 381/381
 2015/0330478 A1 * 11/2015 Grewal H04R 1/1033
 381/384

FOREIGN PATENT DOCUMENTS

CN 303900133 * 10/2016
 CN 303906663 * 11/2016

CN 303931294 * 11/2016
 CN 304095451 * 4/2017
 CN 304122622 * 5/2017
 CN 304151042 * 5/2017
 CN 304188289 * 6/2017
 CN 304317815 * 10/2017
 CN 304317816 * 10/2017
 EM 004596161-0002 * 1/2018

OTHER PUBLICATIONS

U5-001 Intelligent Sports Bluetooth Headphones, published Oct. 16, 2016 [online], [retrieved Feb. 10, 2018], Available from Internet, URL: <<https://qenla.manufacturer.globalsources.com/si/6008850165187/pdtl/Headband-headphone/1158774047/Intelligent-Sports-Bluetooth-Headphones.htm>>.*
 Yurbuds, published Jan. 21, 2014 [online], [retrieved Feb. 8, 2018], Available from Internet, URL: <<https://www.amazon.com/Yurbuds-Explore-Pro-Sport-Earphones/dp/B00P8DQAU8>>.*
 Q10 wireless earphones, published Oct. 16, 2016 [online], [retrieved Feb. 10, 2018], Available from Internet, URL: <<https://qenla.manufacturer.globalsources.com/si/6008850165187/pdtl/Wireless-earphone/1165372472/wireless-earphones-Bluetooth-earphones.htm>>.*
 Qenla-Q9 wireless earphones, published Oct. 16, 2016 [online], [retrieved Feb. 10, 2018], Available from Internet, URL: <<https://qenla.manufacturer.globalsources.com/si/6008850165187/pdtl/Bluetooth-headset/1158771487/Qenla-Q9-wireless-earphones.htm>>.*
 Wireless bluetooth stereo earphones, published Oct. 30, 2016 [online], [retrieved Feb. 10, 2018], Available from Internet, URL: <<https://twitter.com/glenqenla>>.*
 Q10 wireless earphones, published Mar. 23, 2016 [online], [retrieved Feb. 10, 2018], Available from Internet, URL: <<https://qenla.manufacturer.globalsources.com/si/6008850165187/pdtl/Wireless-earphone/1165372472/wireless-earphones-Bluetooth-earphones.htm>>.*

* cited by examiner

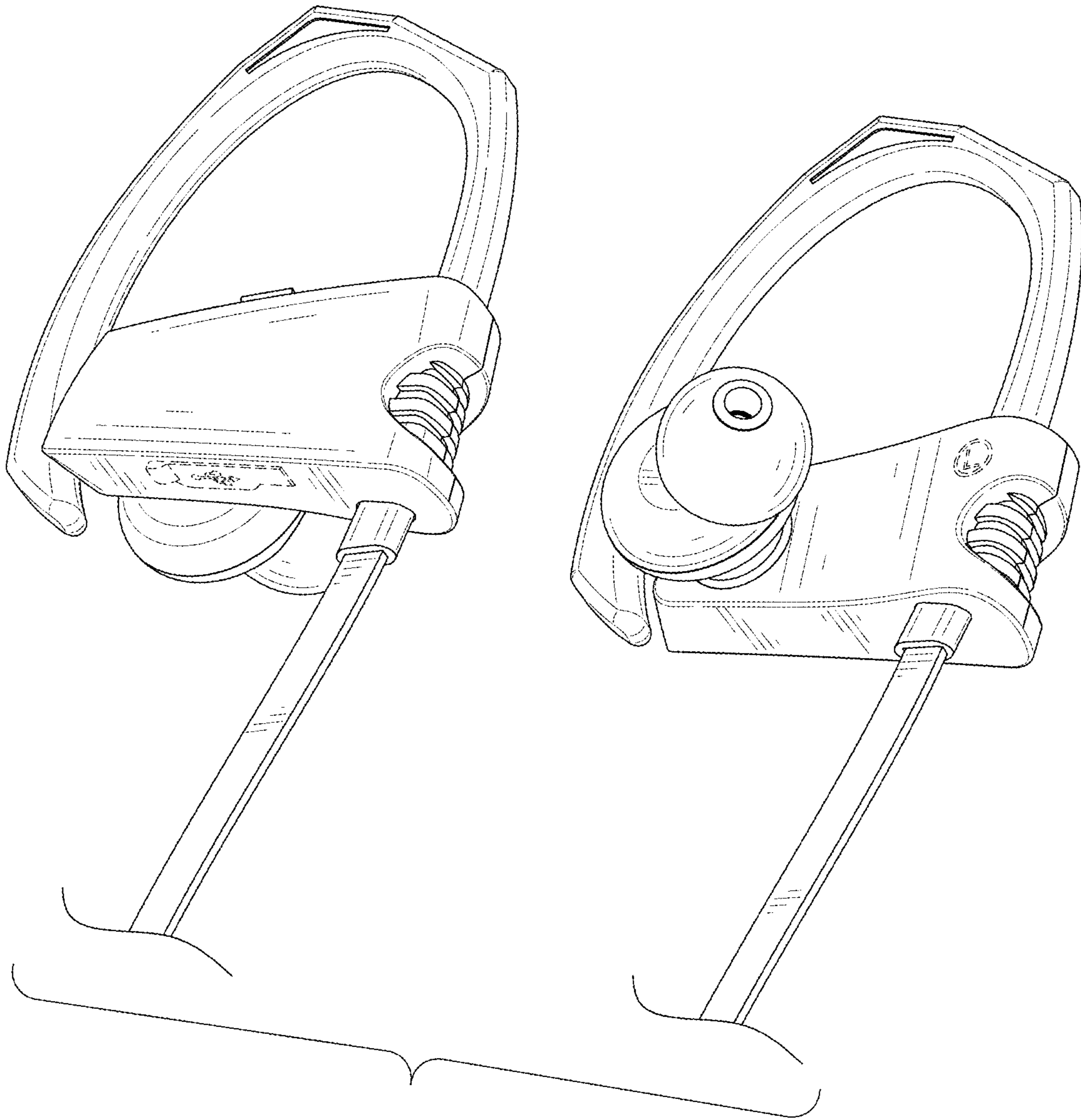


FIG. 1

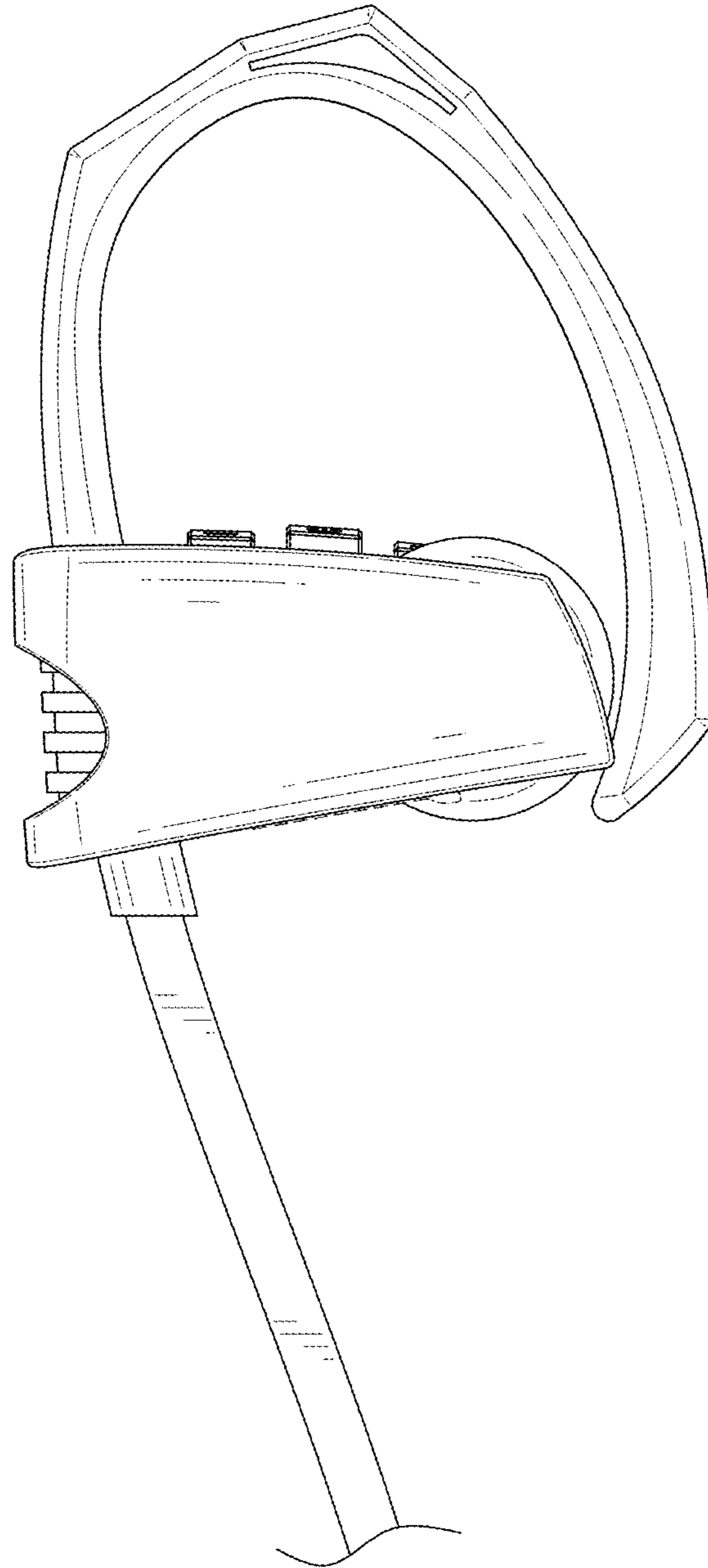


FIG. 2

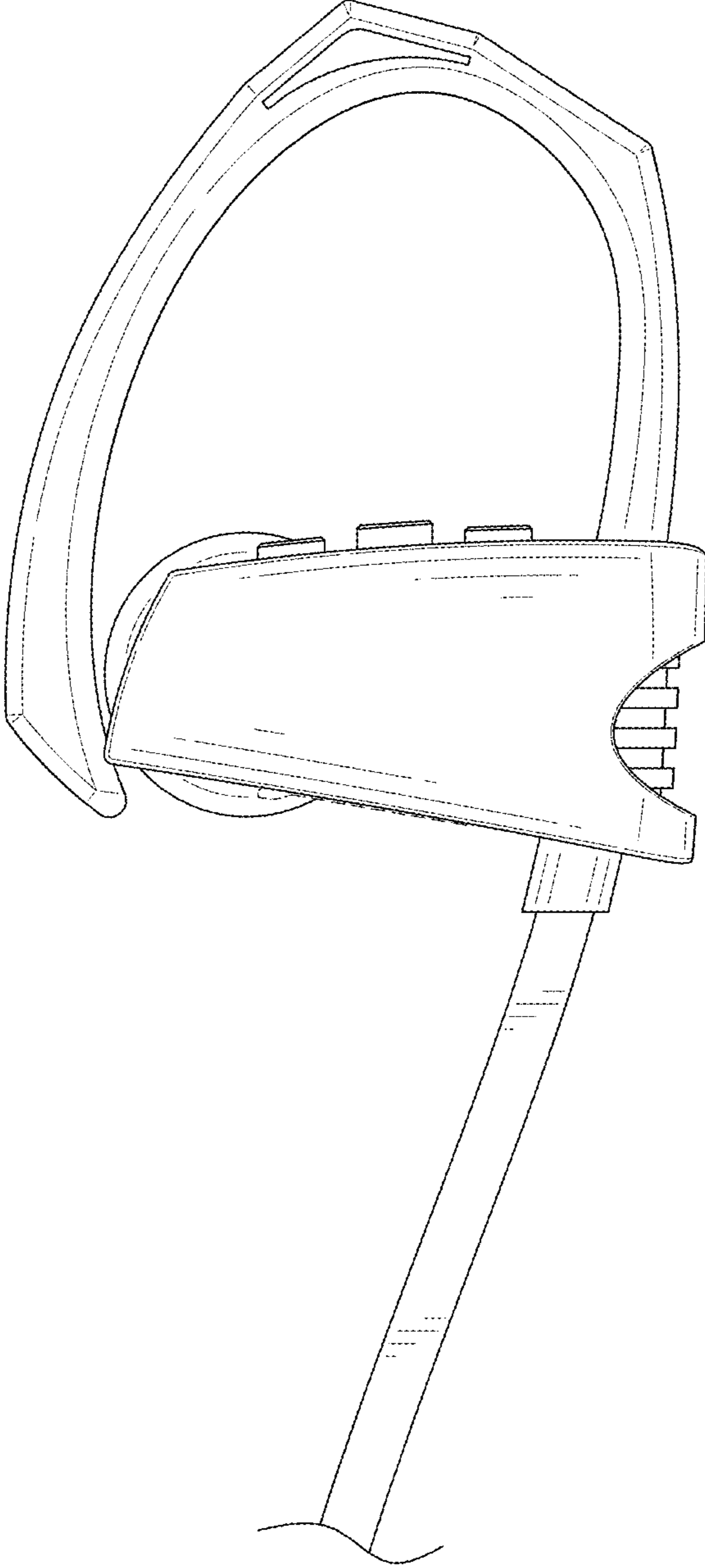


FIG. 3

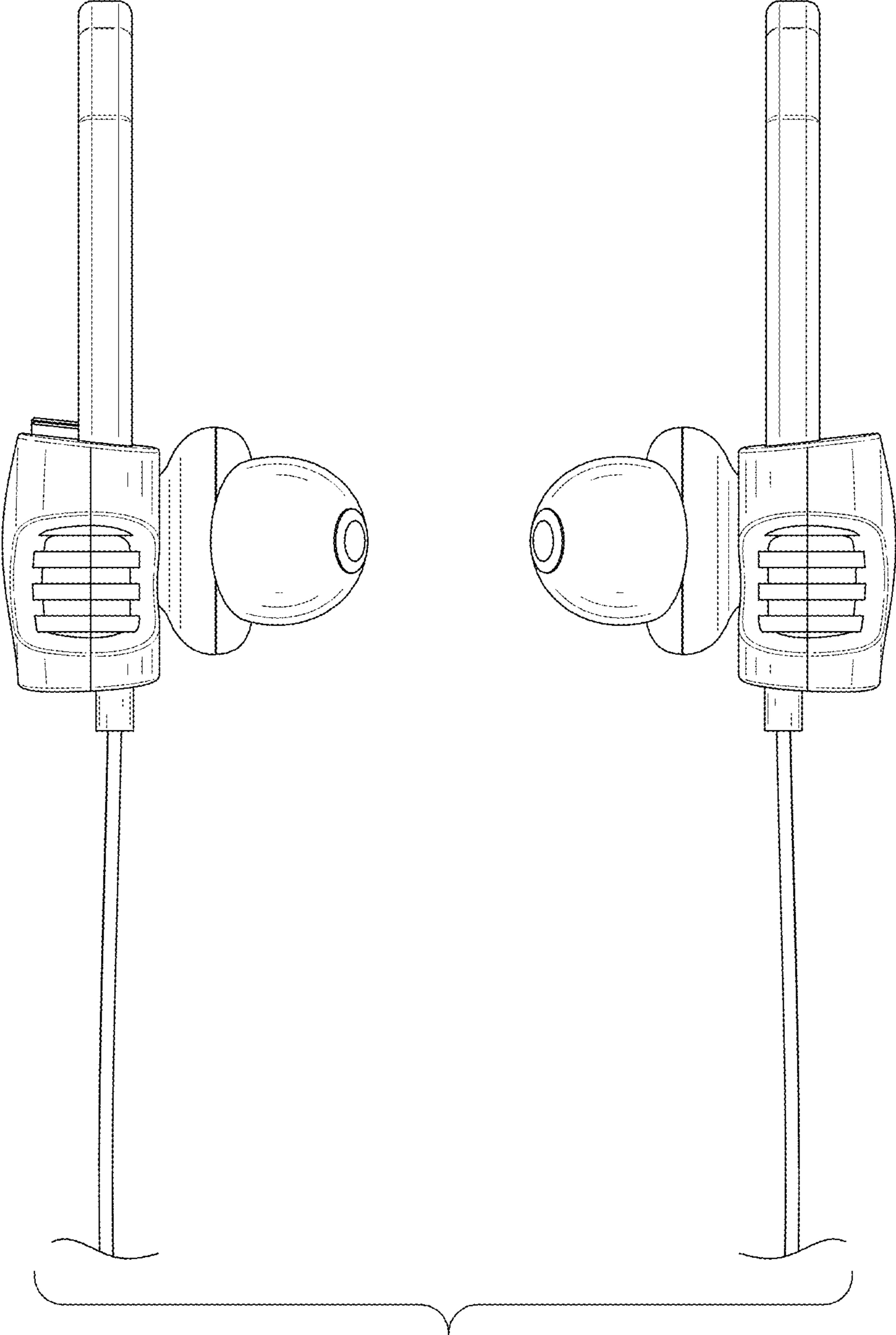


FIG. 4

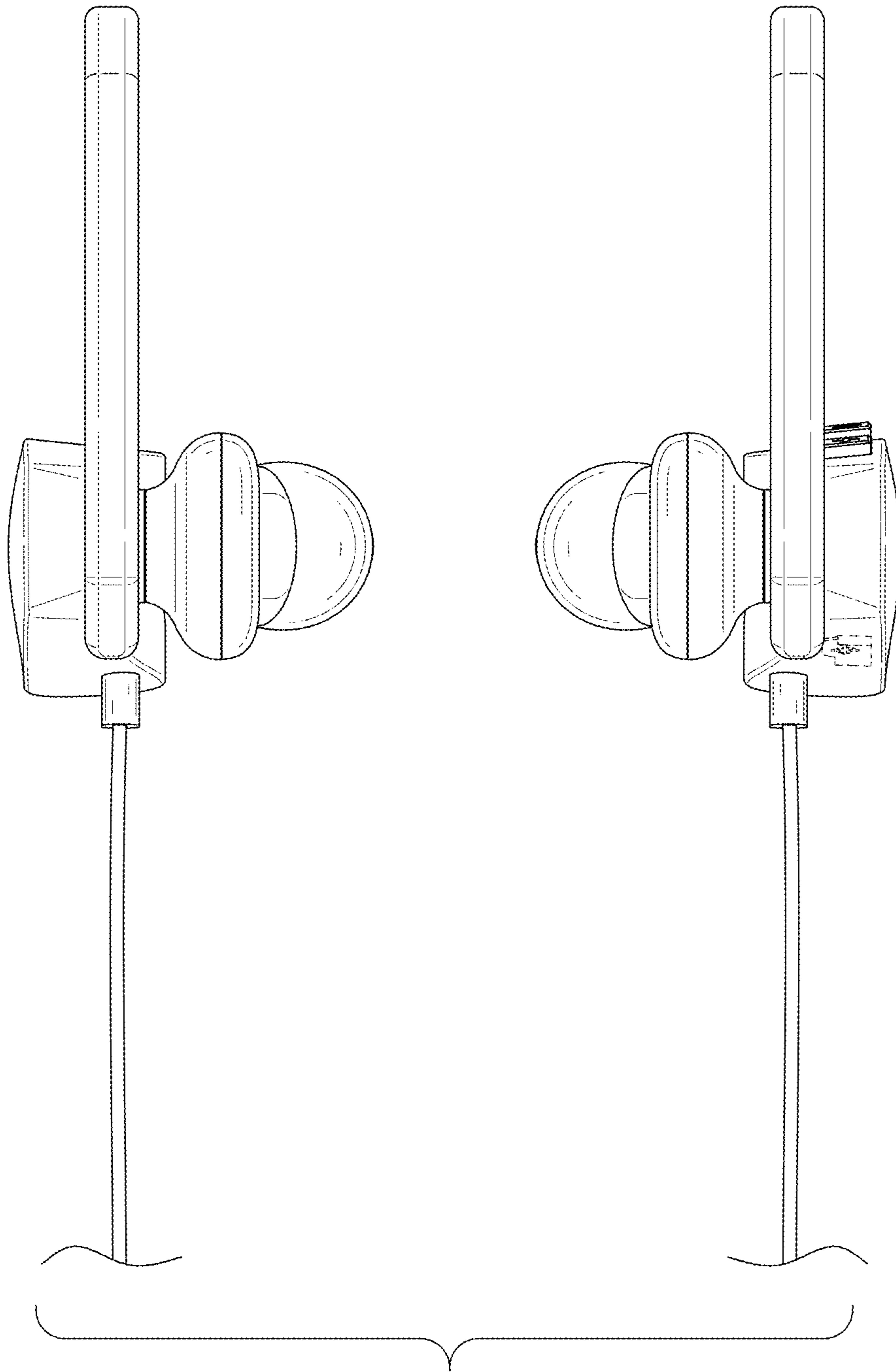


FIG. 5

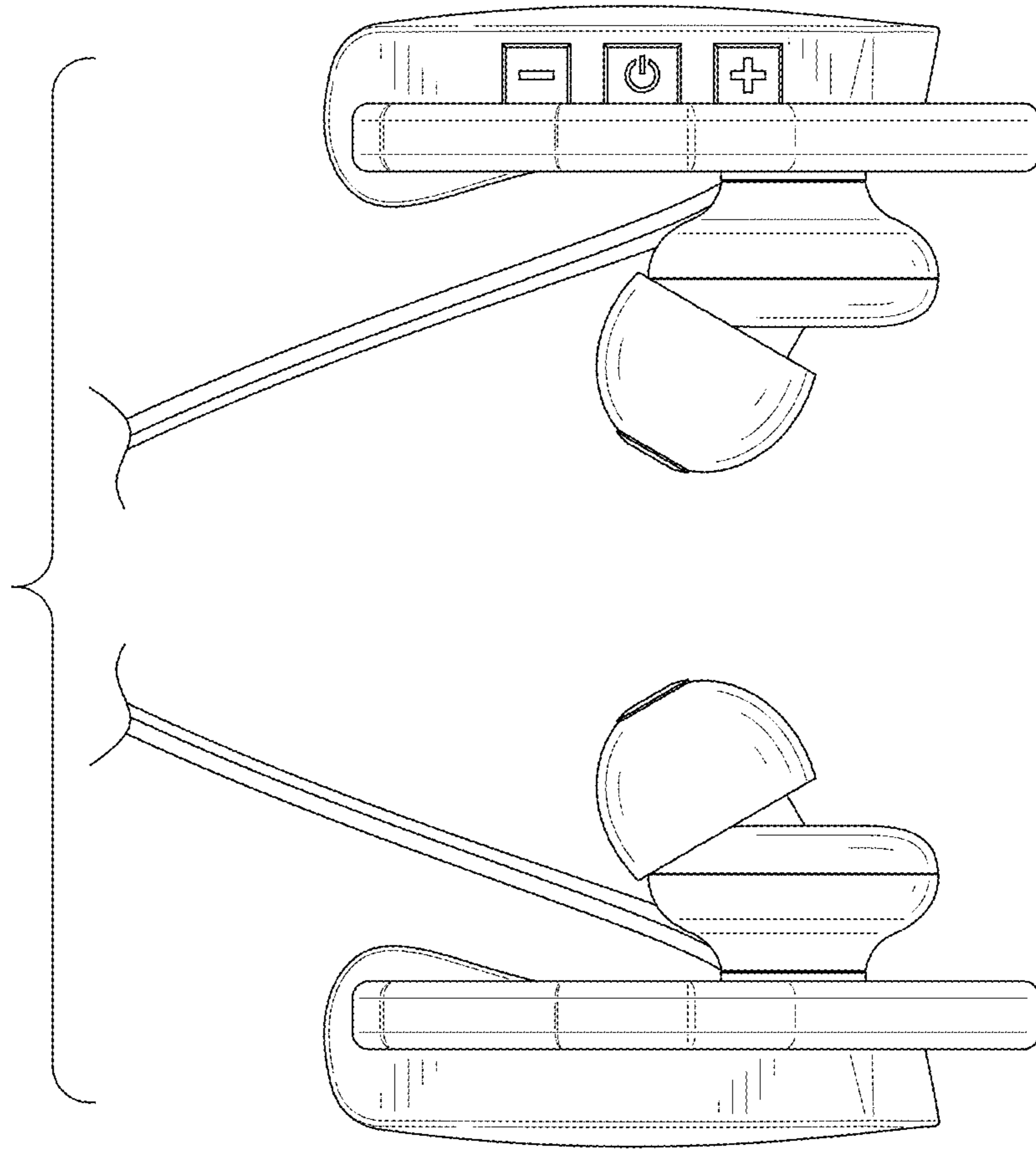


FIG. 6

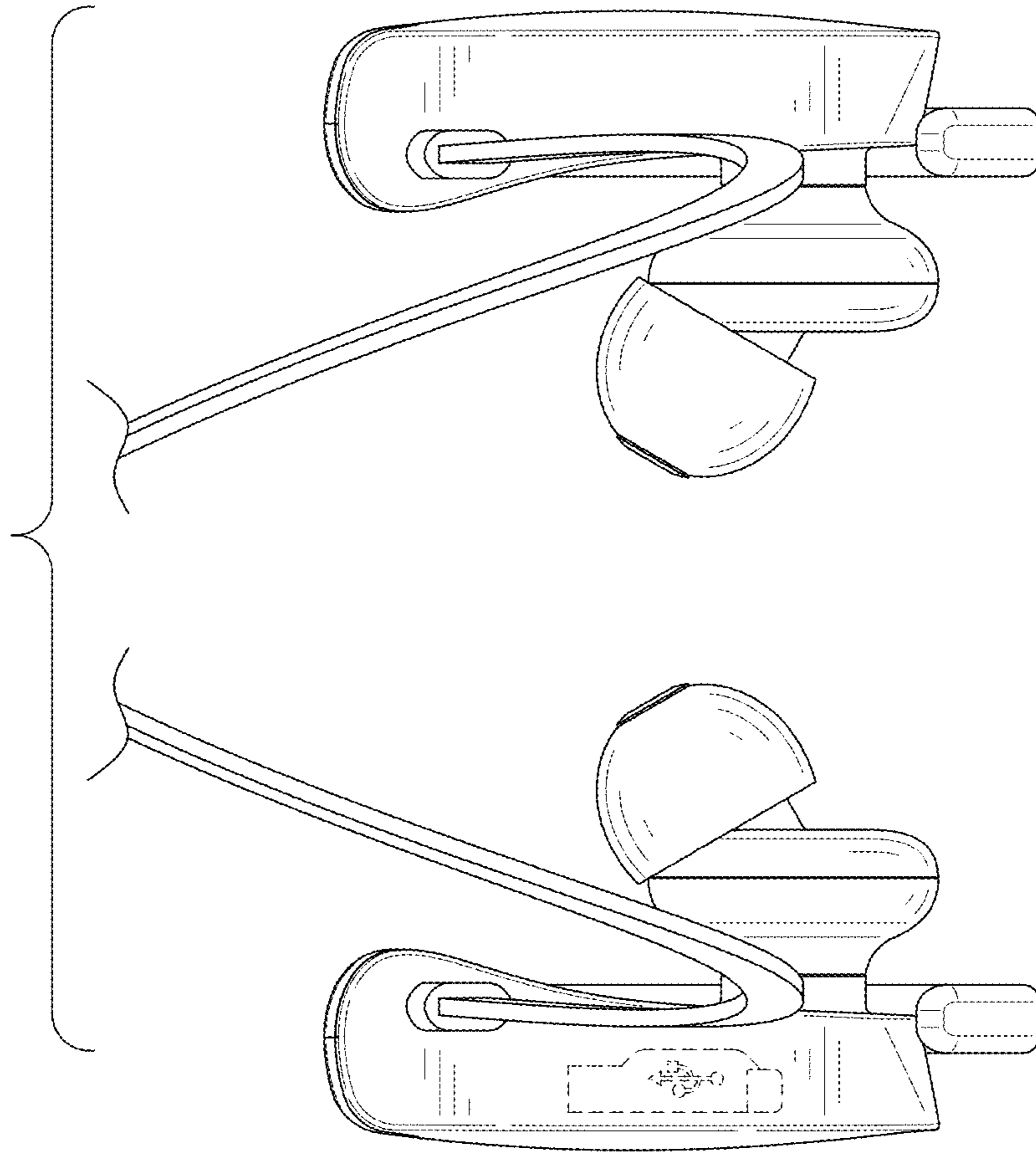


FIG. 7

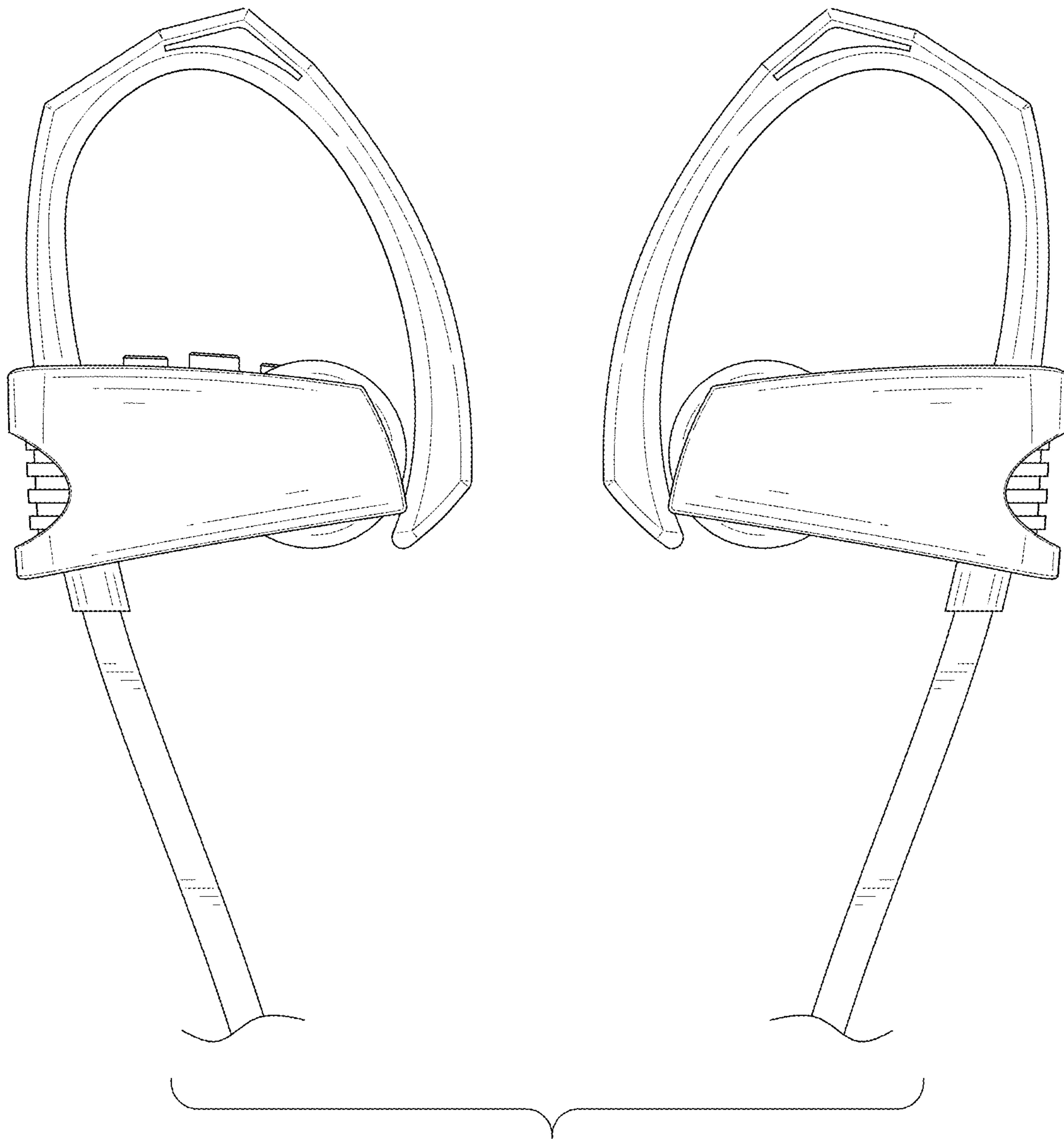


FIG. 8

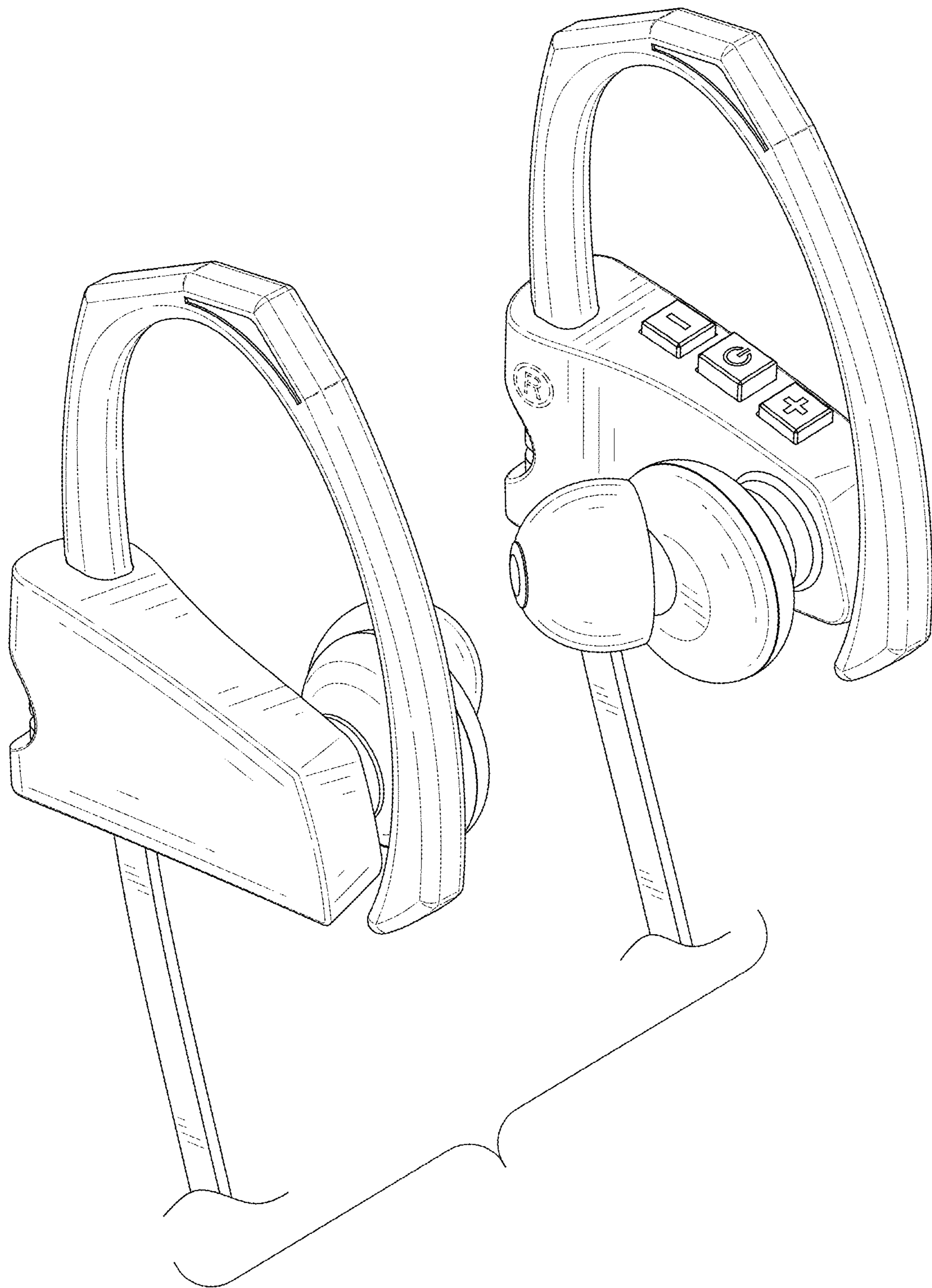


FIG. 9